



US00D832305S

(12) **United States Design Patent**
Ilyasov

(10) **Patent No.:** **US D832,305 S**
(45) **Date of Patent:** **** Oct. 30, 2018**

(54) **DISPLAY SCREEN OR PORTION THEREOF WITH ANIMATED GRAPHICAL USER INTERFACE**

Primary Examiner — Richelle G Shelton

(71) Applicant: **Henry G Ilyasov**, Farmington Hills, MI (US)

(57) **CLAIM**

The ornamental design for a display screen or portion thereof with animated graphical user interface, as shown and described.

(72) Inventor: **Henry G Ilyasov**, Farmington Hills, MI (US)

(73) Assignee: **Henry G. Ilyasov**, Farmington Hills, MI (US)

DESCRIPTION

(**) Term: **15 Years**

FIG. 1 is the first image in a sequence for a display screen or portion thereof with animated graphical user interface showing the new design;
FIG. 2 is the second image thereof;
FIG. 3 is the third image thereof;
FIG. 4 is the fourth image thereof;
FIG. 5 is the fifth image thereof;
FIG. 6 is the sixth image thereof;
FIG. 7 is the seventh image thereof;
FIG. 8 is the eighth image thereof; and,
FIG. 9 is the ninth image thereof.

(21) Appl. No.: **29/610,859**

(22) Filed: **Jul. 17, 2017**

(51) **LOC (11) Cl.** **14-04**

(52) **U.S. Cl.**
USPC **D14/492**

(58) **Field of Classification Search**
USPC D14/485-495
CPC G06T 13/00; G06T 13/80; G06F 3/04845
See application file for complete search history.

The appearance of the animated graphical user interface sequentially transitions between the images shown in FIGS. 1-9. The process or period in which one image transitions to another forms no part of the claimed design. The wavy broken line perimeter in all FIGS. illustrates a portion of a display screen; the broken line showing of the text within the display screen or portion thereof in all FIGS. is included for the environmental purpose only; the remaining broken lines illustrate portions of a graphical user interface; all broken lines form no part of the claimed design.

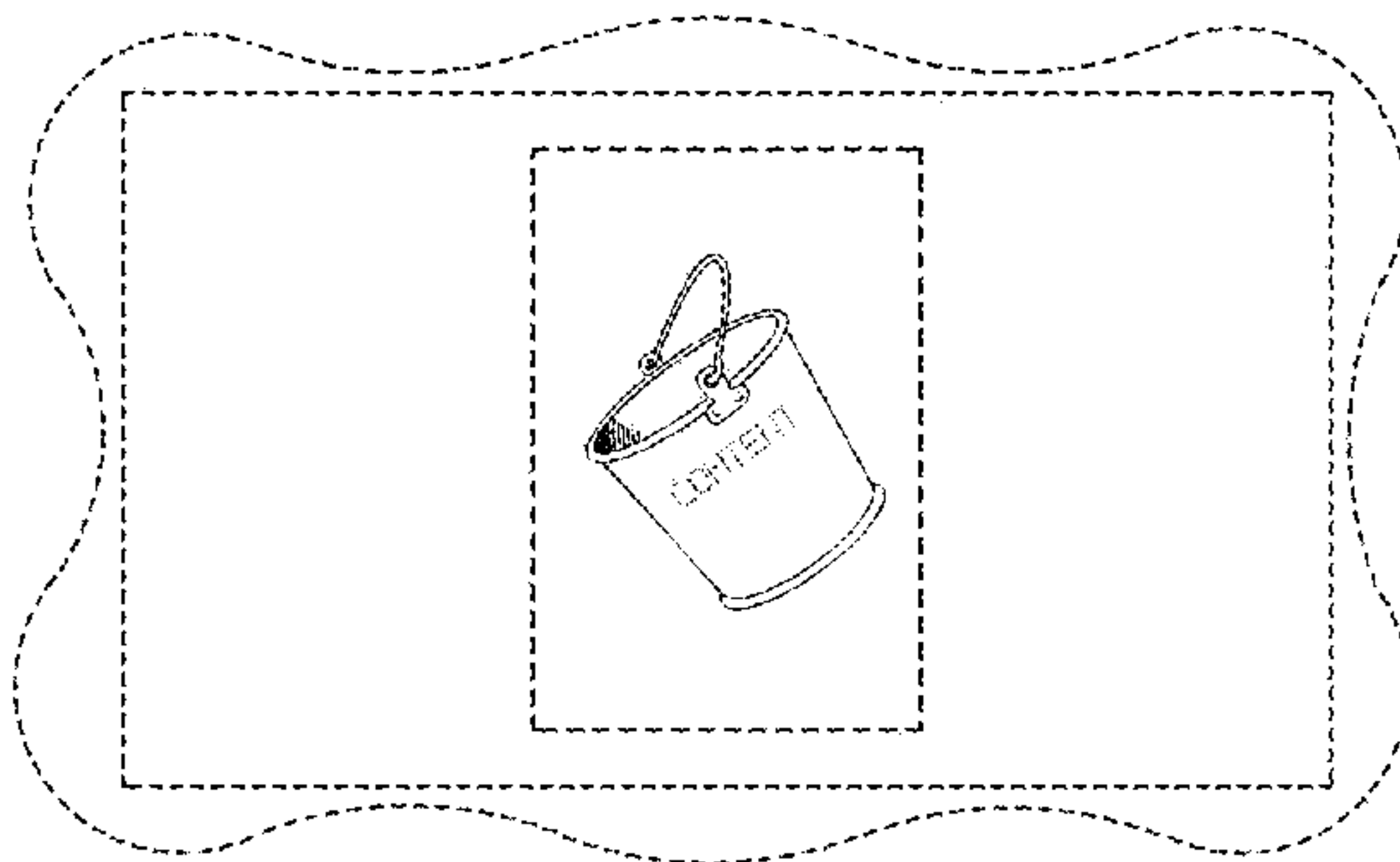
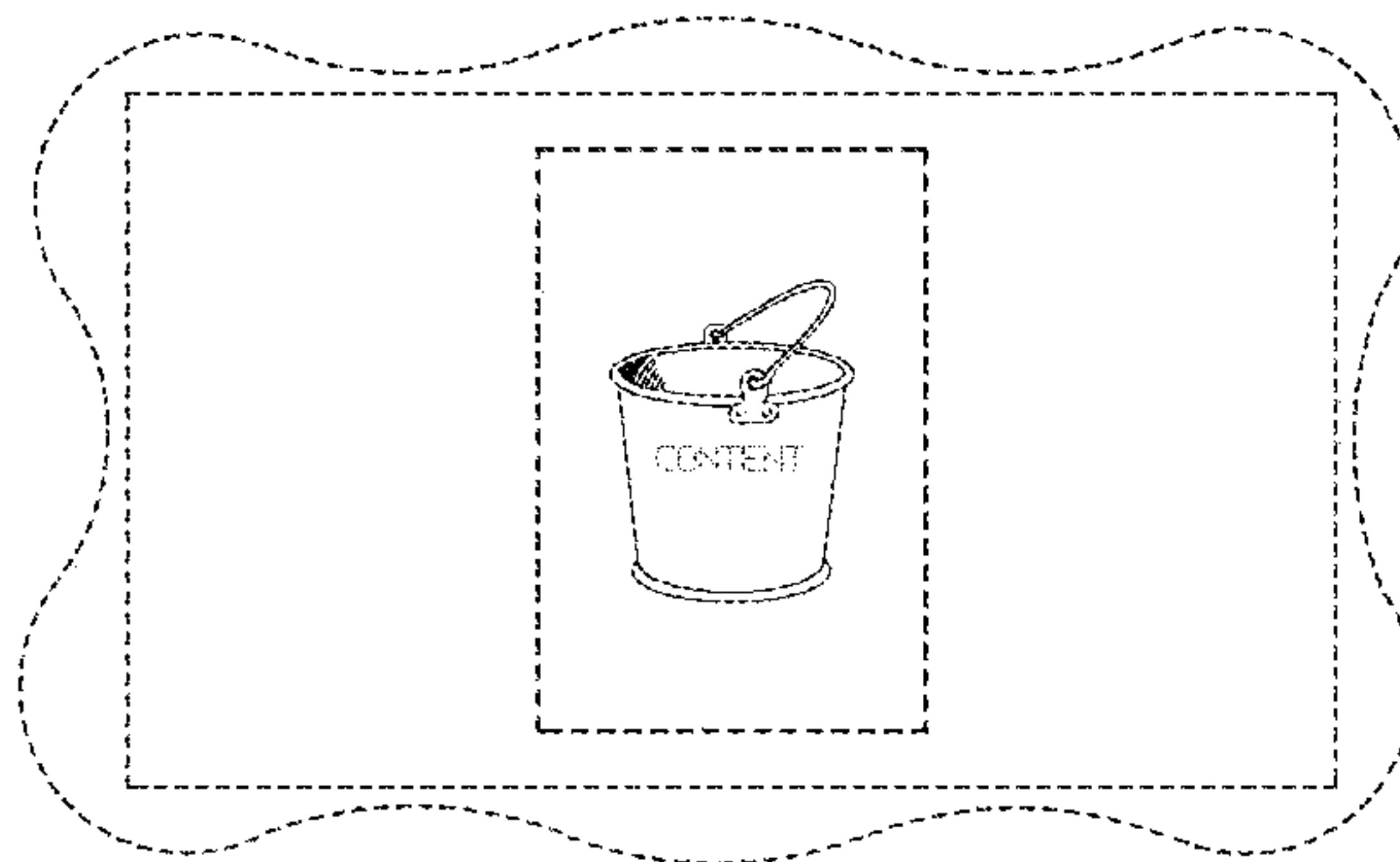
(56) **References Cited**

U.S. PATENT DOCUMENTS

| | | | | |
|----------------|--------|----------|-------|-----------------------|
| D413,876 S * | 9/1999 | Prabhu | | D14/492 |
| 7,736,148 B2 * | 6/2010 | Frampton | | G09B 19/18 273/256 |
| D707,692 S * | 6/2014 | d'Amore | | D14/485 |
| D755,845 S * | 5/2016 | Kim | | D14/492 |
| 9,734,167 B2 * | 8/2017 | Croteau | | G06F 17/30277 |

* cited by examiner

1 Claim, 9 Drawing Sheets



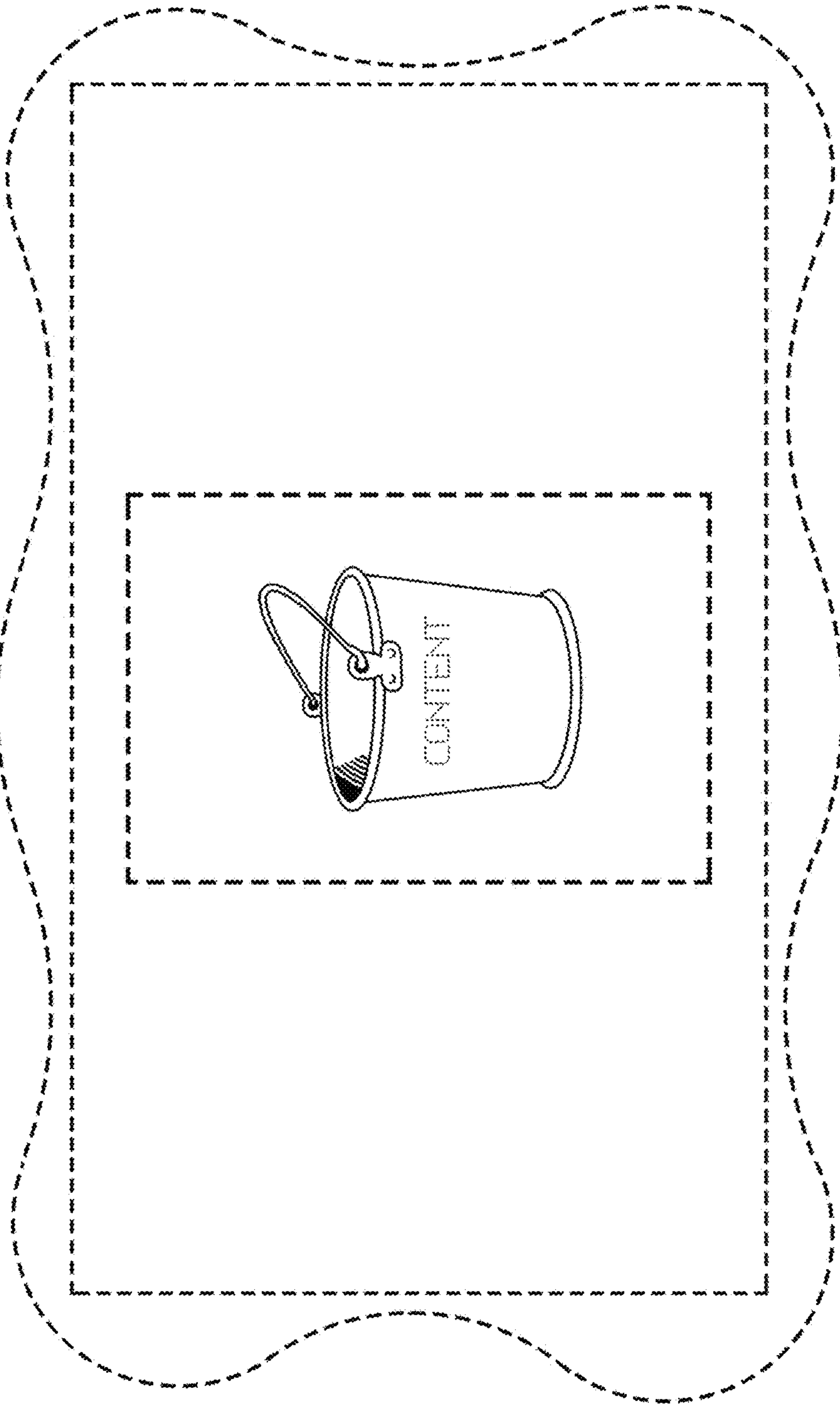


FIG. 1

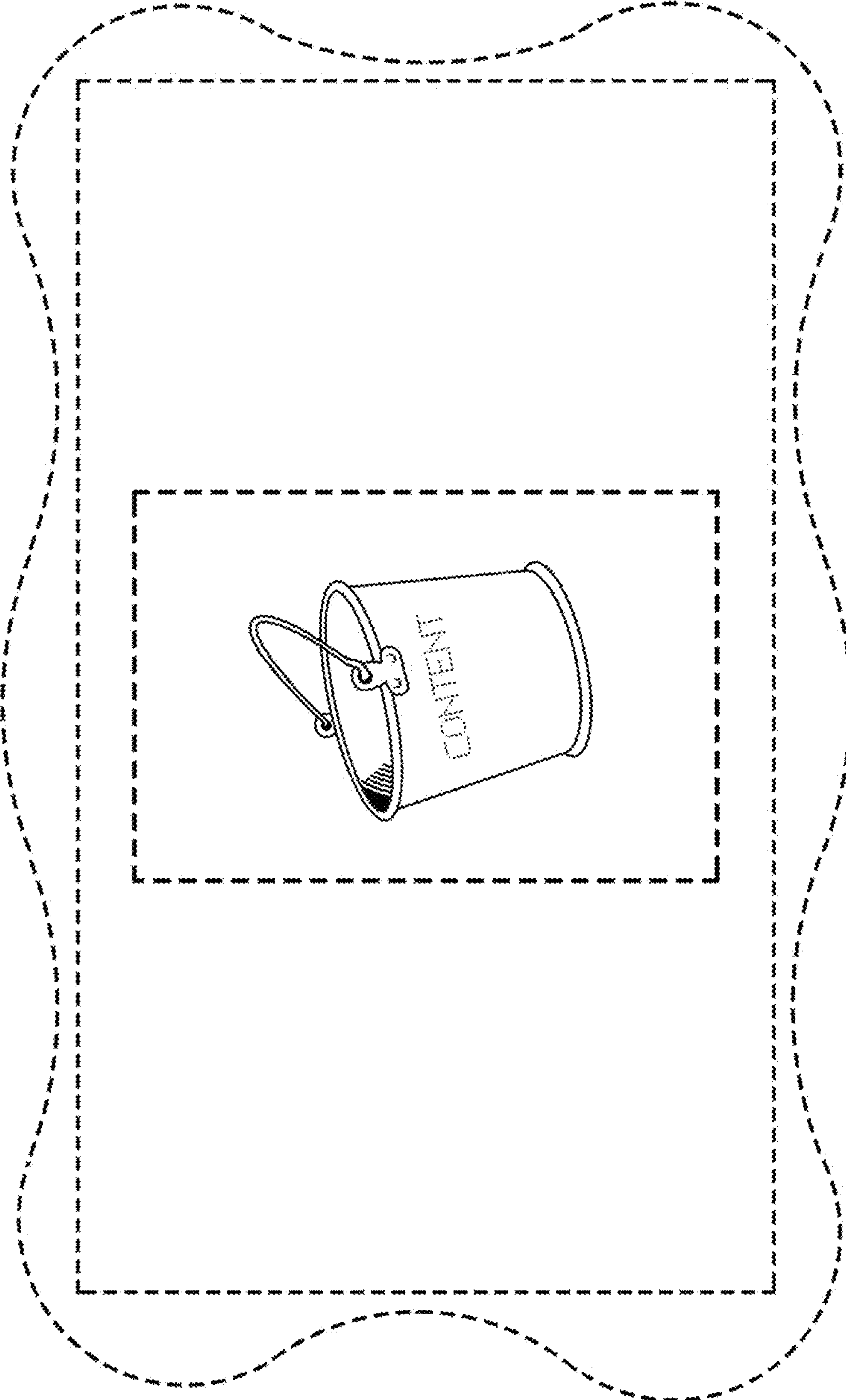


FIG. 2

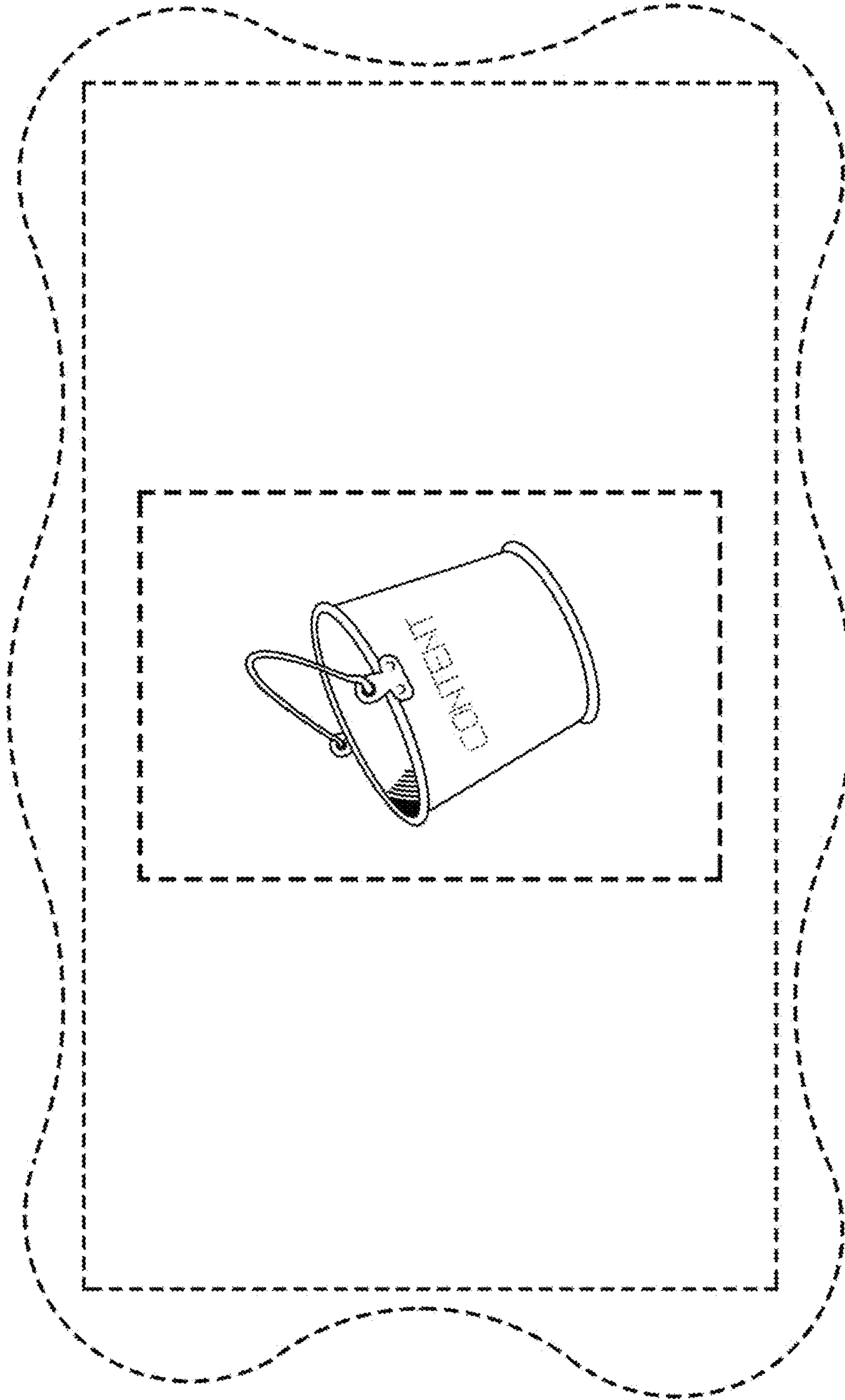


FIG. 3

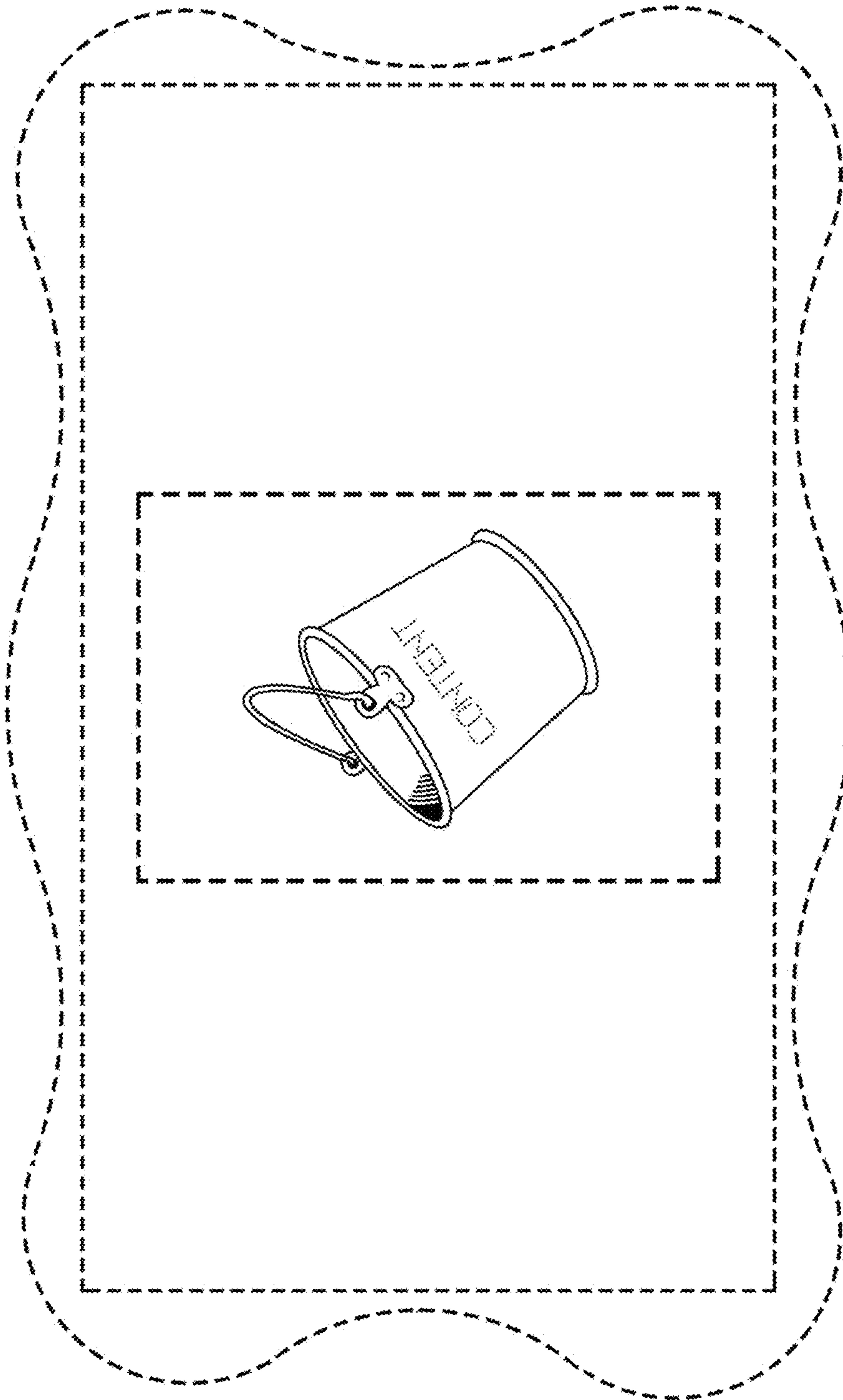


FIG. 4

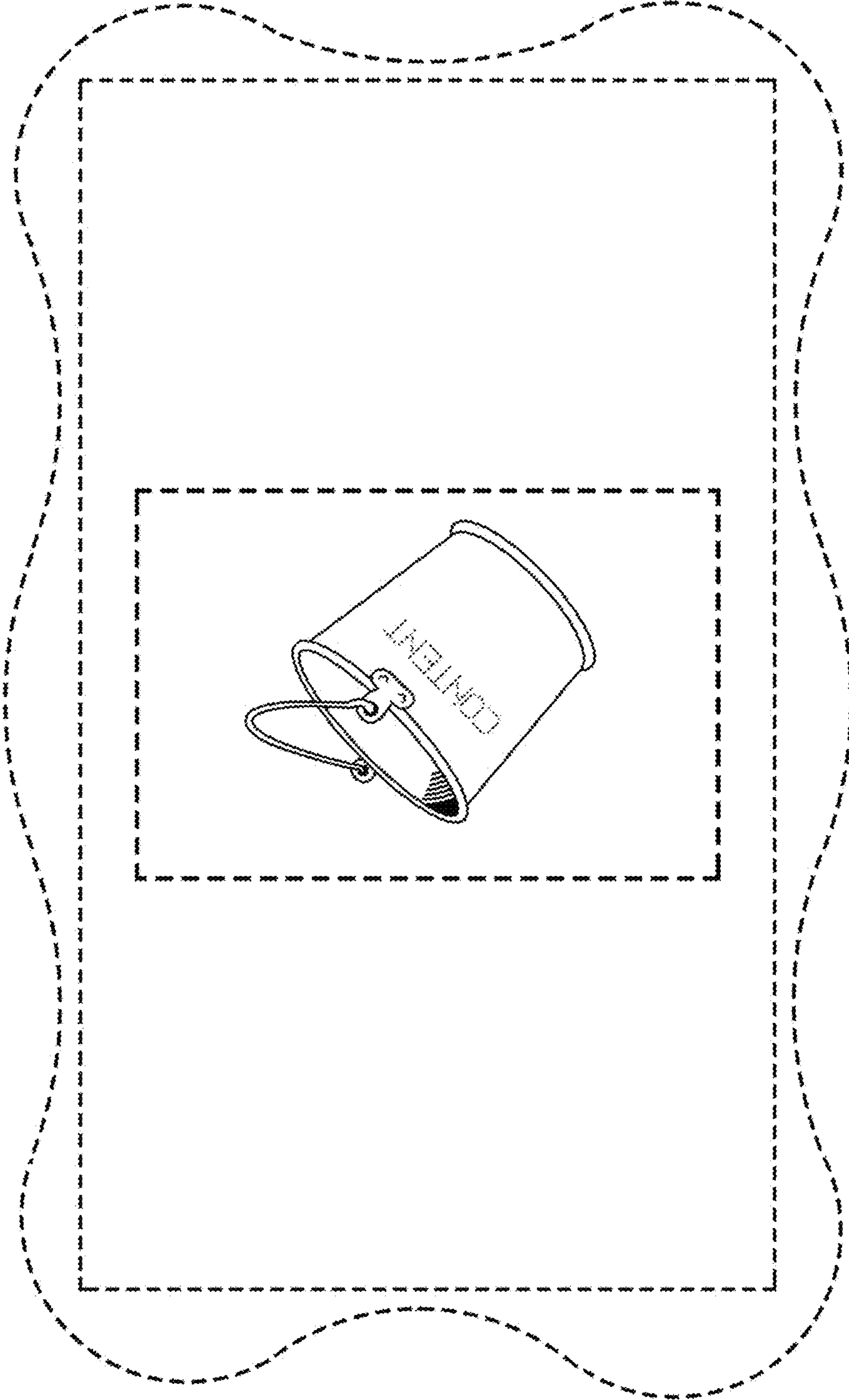


FIG. 5

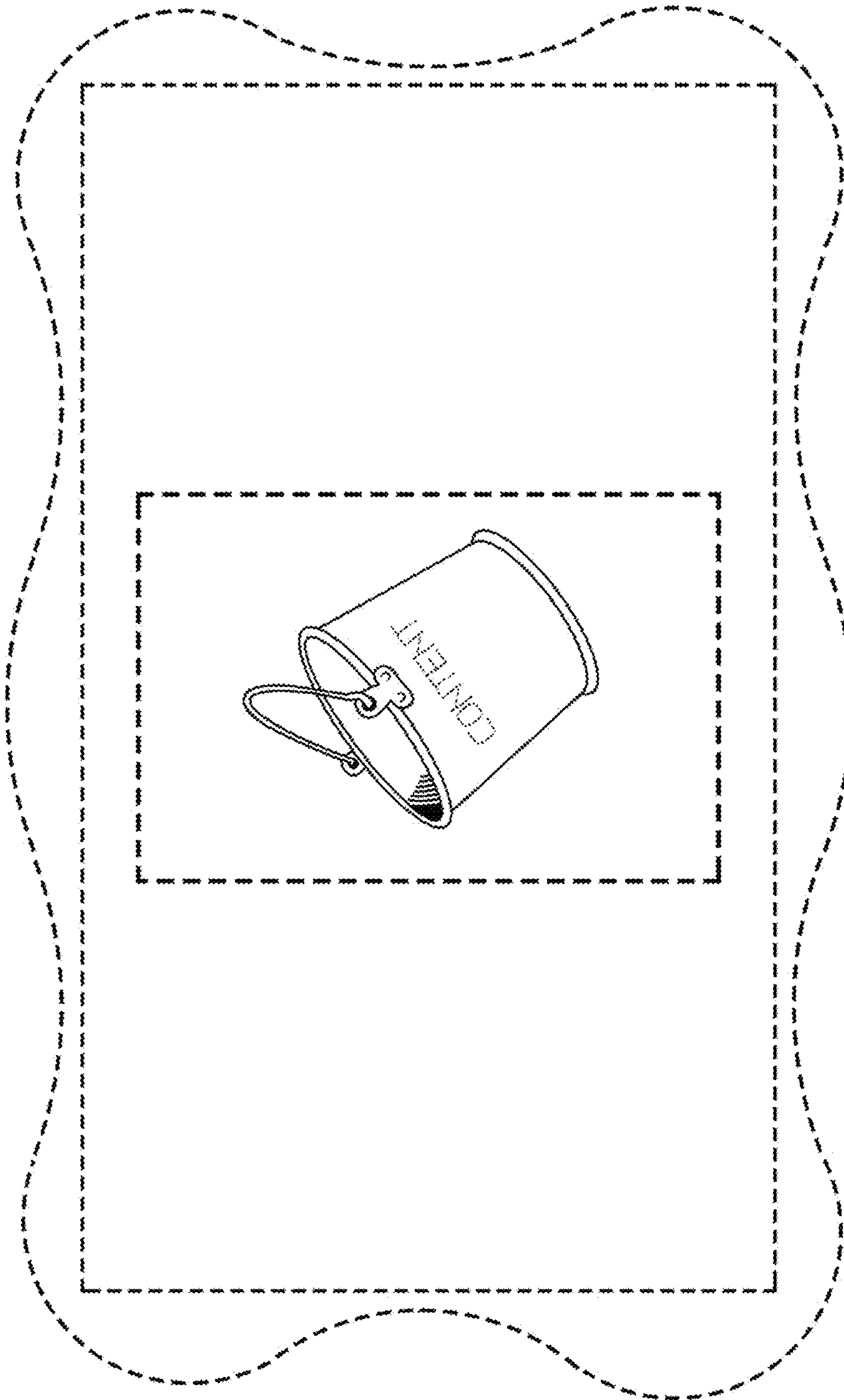


FIG. 6

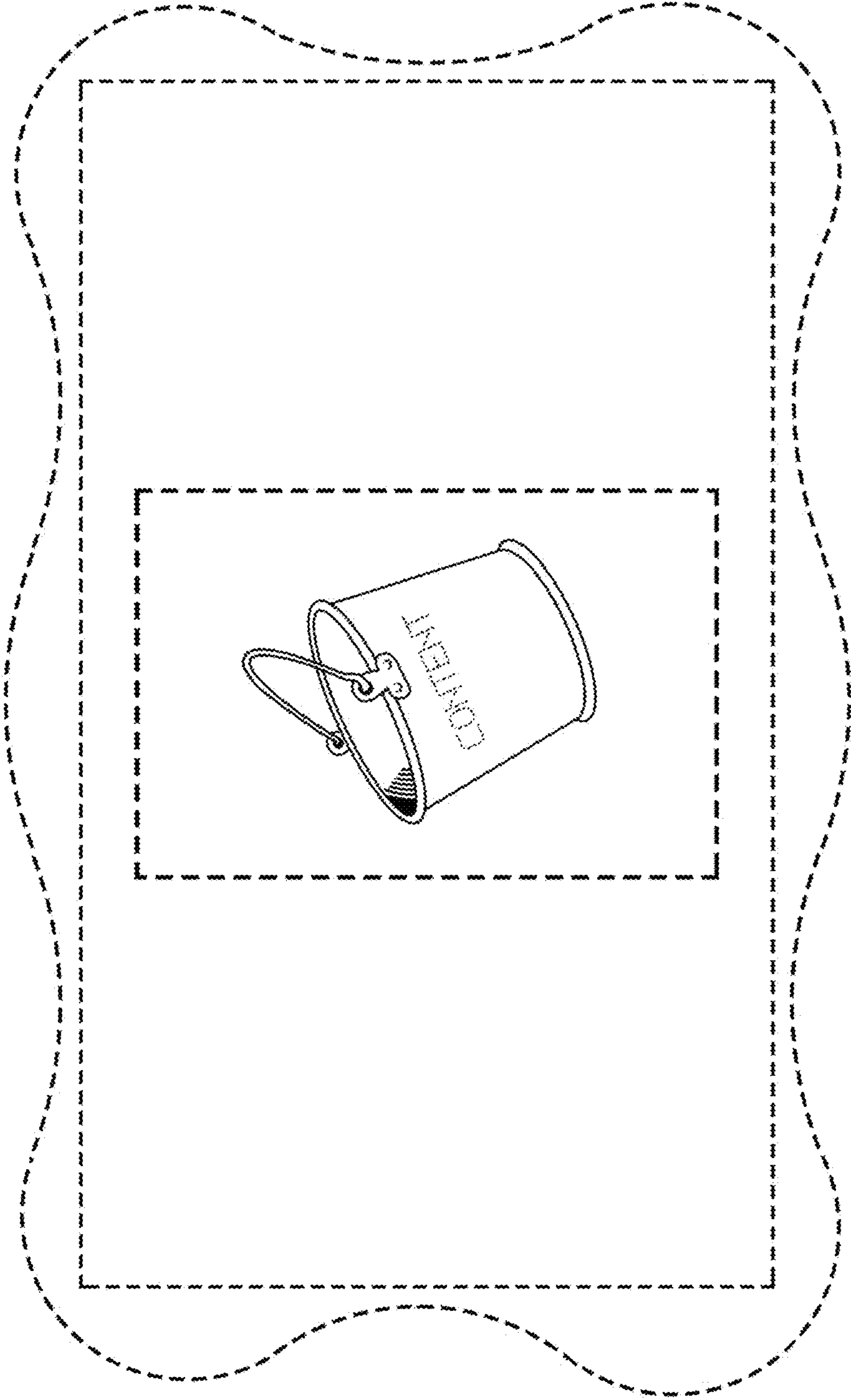


FIG. 7

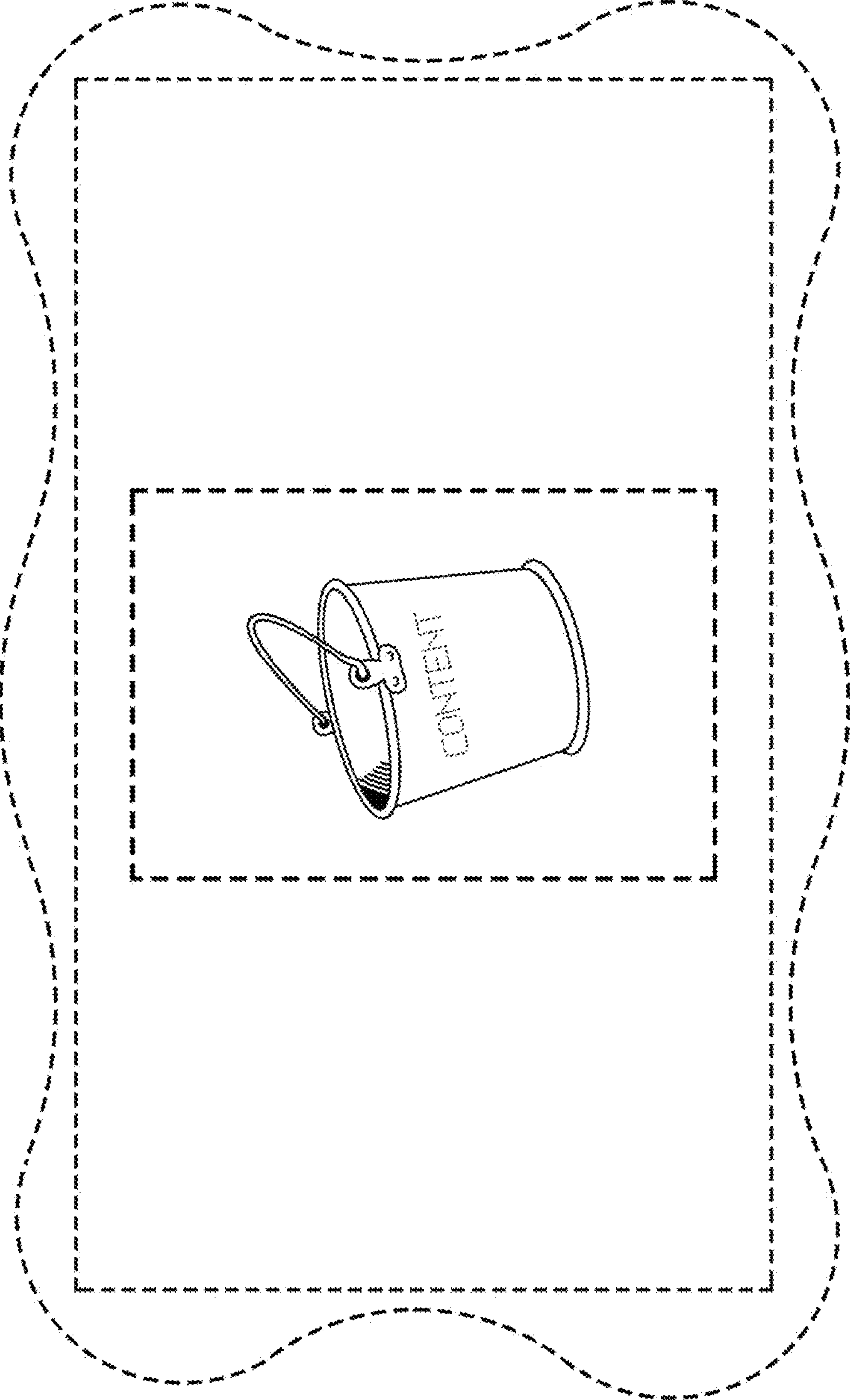


FIG. 8

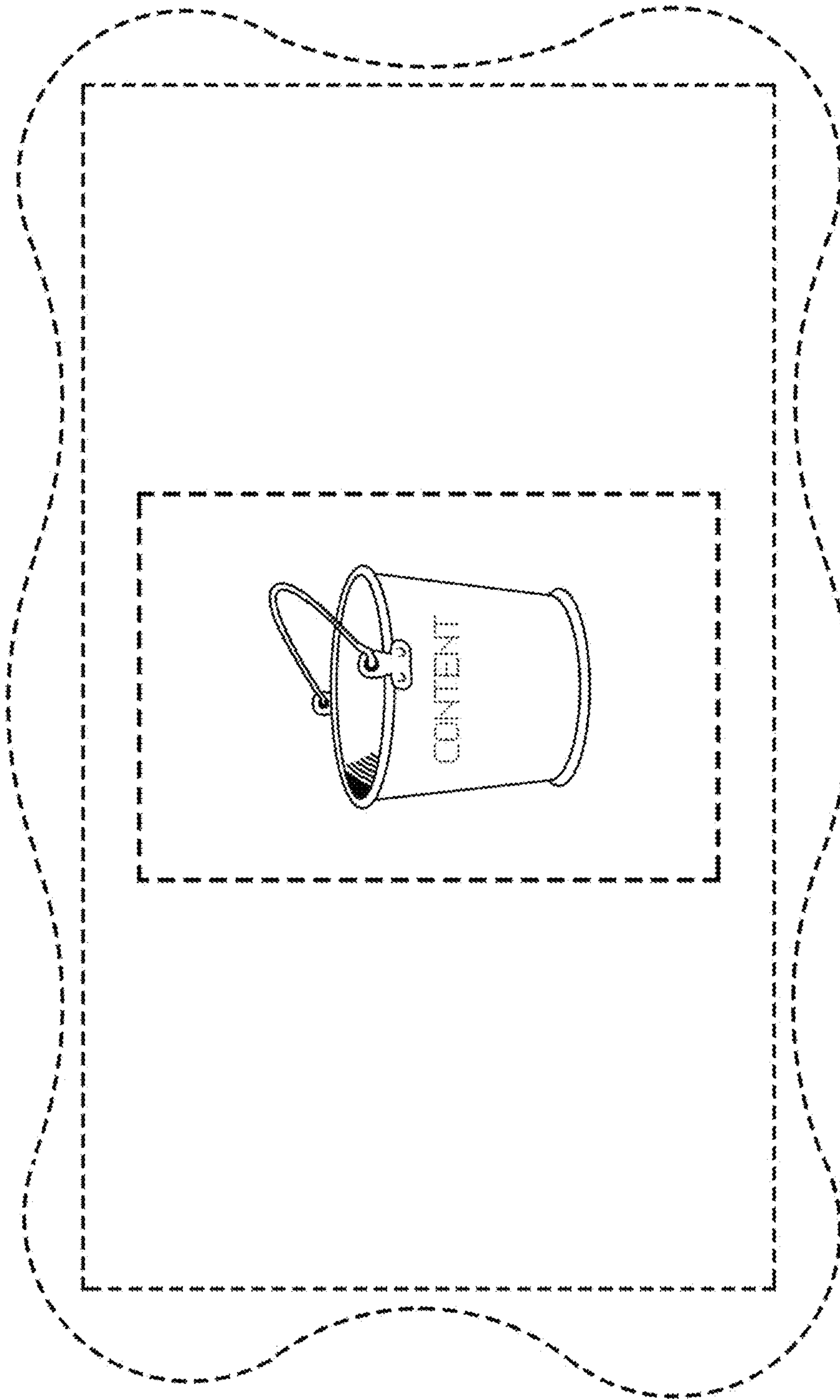


FIG. 9