

US00D832294S

(12) **United States Design Patent**
Wörmer et al.

(10) **Patent No.:** **US D832,294 S**
(45) **Date of Patent:** **** Oct. 30, 2018**

(54) **DISPLAY SCREEN OR PORTION THEREOF WITH ANIMATED GRAPHICAL USER INTERFACE**

D724,603 S * 3/2015 Williams D14/485
D744,001 S * 11/2015 Orr D14/490
9,248,932 B2 * 2/2016 Gamber B65D 1/44

(Continued)

(71) Applicant: **DMU (Dental Manufacturing Unit GmbH)**, Salzburg (AT)

OTHER PUBLICATIONS

(72) Inventors: **Alfons Wörmer**, Bischofshofen (AT);
Martin Huber, Pfarrwerfen (AT)

“118 Flat Design Buttons, Elements & UI Kits for Graphic Designers” Jun. 23, 2016, posted at template.net, [site visited May 23, 2018]. <https://www.template.net/design-templates/buttons/flat-design-buttons-elements-ui-kits>.*

(Continued)

(73) Assignee: **DMU Dental Manufacturing Unit GmbH**, Salzburg (AT)

(**) Term: **15 Years**

Primary Examiner — Karen E Kearney

(21) Appl. No.: **29/612,683**

Assistant Examiner — John M Otte

(22) Filed: **Aug. 3, 2017**

(74) *Attorney, Agent, or Firm* — Ann M. Knab; Thad McMurray

(30) **Foreign Application Priority Data**

Jul. 14, 2017 (WO) 64443

(51) **LOC (11) Cl.** **14-04**

(52) **U.S. Cl.**
USPC **D14/486**; D14/492

(58) **Field of Classification Search**
USPC D14/485–495; D20/11; D21/324, 325
CPC G06F 3/048; G06F 3/0481; G06F 3/04817;
G06F 3/0482; G06F 3/0483; G06F
3/04842; G06F 3/0485; G06F 3/04855;
G06F 3/0486; G06F 3/0488; G06F
3/04886; G06F 9/4443; G06F 11/32;
G06F 17/211; G06F 17/212; A61L 2/202;
B67D 1/0051; A61C 13/0022

See application file for complete search history.

(56) **References Cited**

U.S. PATENT DOCUMENTS

8,056,358 B1 * 11/2011 Shelton A61L 2/202
222/190
D696,274 S * 12/2013 Tagliabue D14/486
D717,809 S * 11/2014 Tsuru D14/485

(57) **CLAIM**

The ornamental design for a display screen or portion thereof with animated graphical user interface, as shown and described.

DESCRIPTION

FIG. 1 is a front view of the first image of a display screen or portion thereof with animated graphical user interface, showing our new design;

FIG. 2 is a front view of a second image thereof.

FIG. 3 is a front view of a third image thereof.

FIG. 4 is a front view of a fourth image thereof.

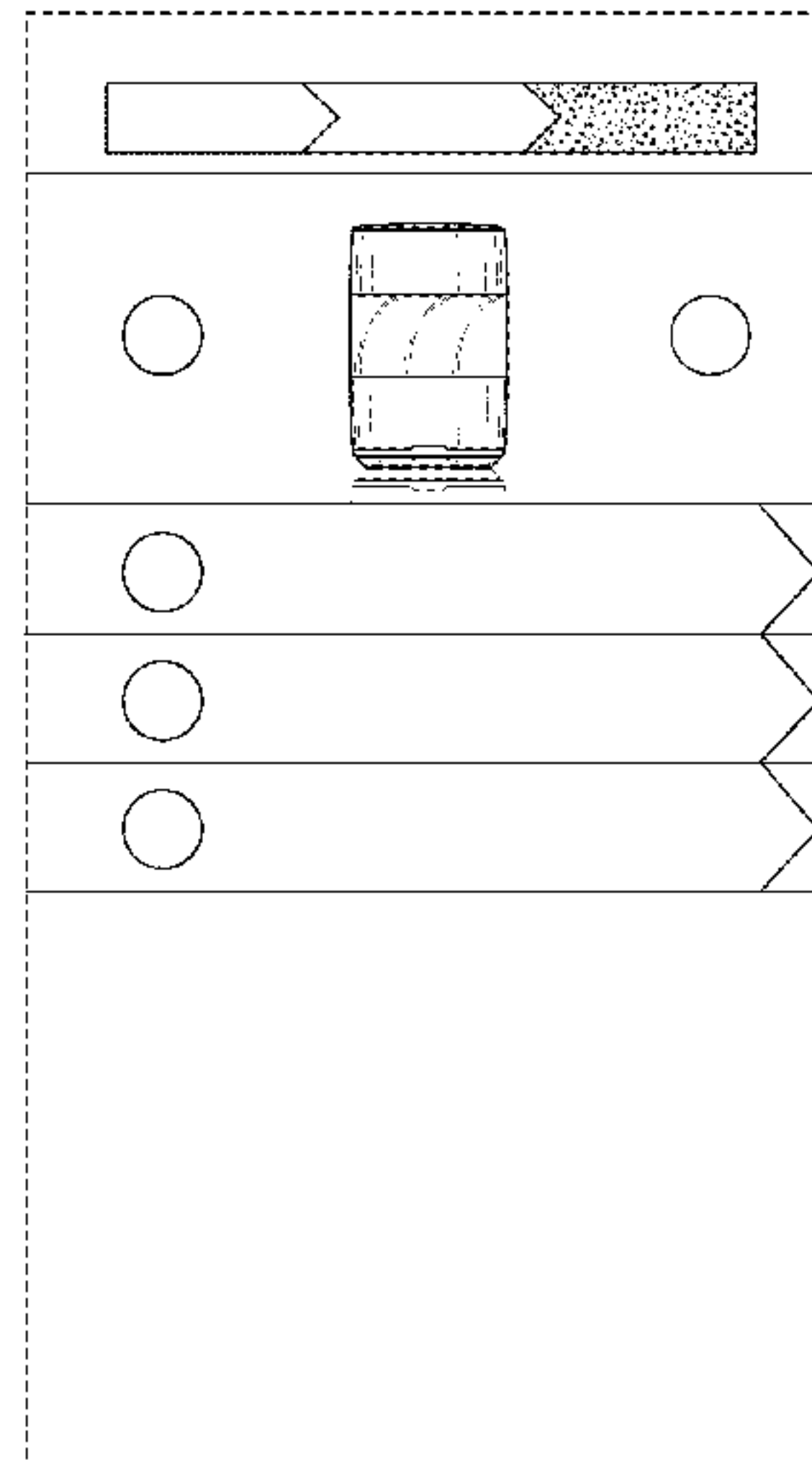
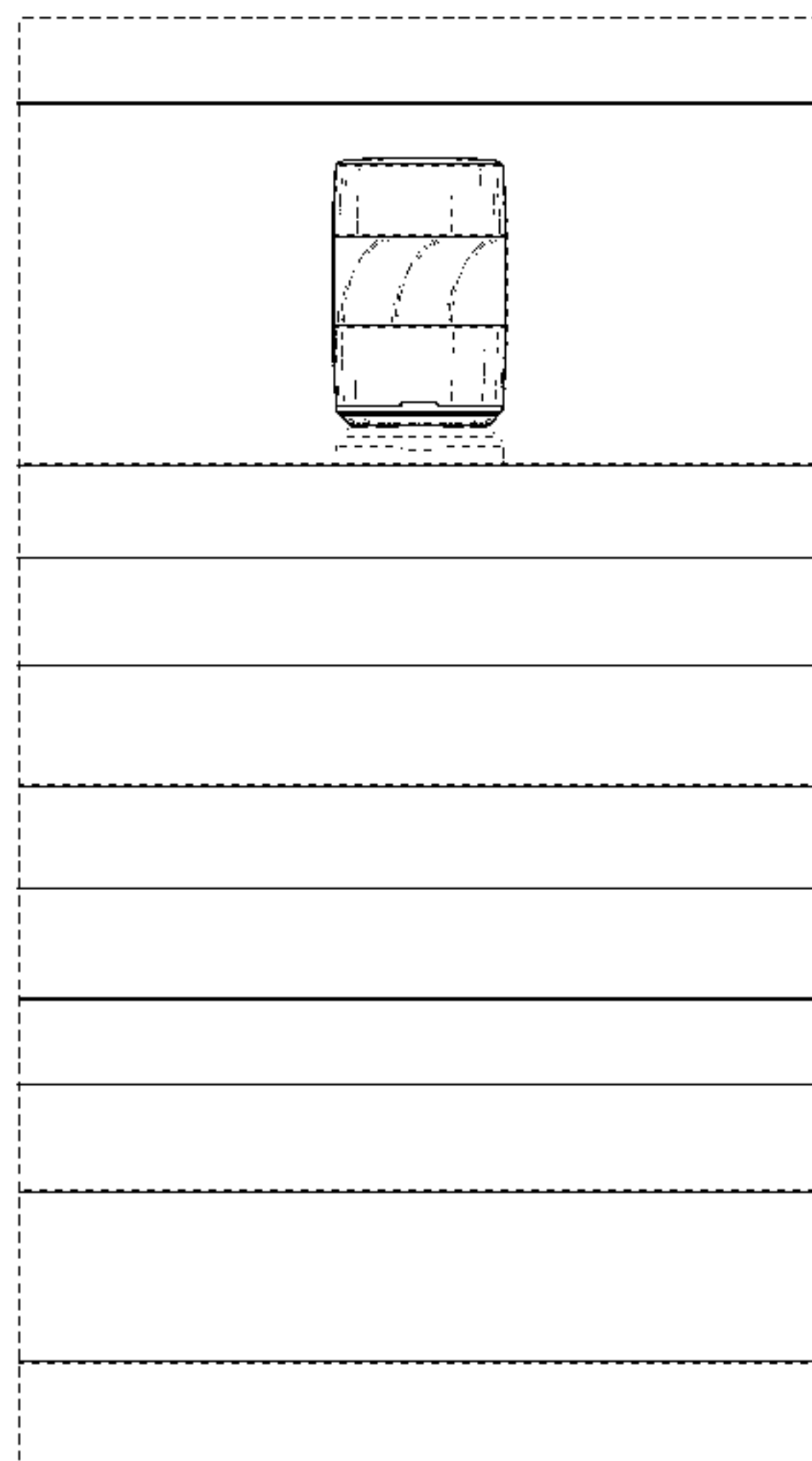
FIG. 5 is a front view of a fifth image thereof.

FIG. 6 is a front view of a sixth image thereof; and,

FIG. 7 is a front view of a seventh image thereof.

The broken line showing of a display screen with graphical user interface is included for the purpose of showing portions of the article which form no part of the claim. The appearance of the animated image transitions between the images shown in FIGS. 1-7. The process or period in which one image transitions to another image forms no part of the claimed design.

1 Claim, 7 Drawing Sheets



(56)

References Cited

U.S. PATENT DOCUMENTS

D771,672 S * 11/2016 Tanabe G06F 11/32
D14/486
D780,532 S * 3/2017 Seiders D7/608
D781,874 S * 3/2017 Dunn D14/485
D795,915 S * 8/2017 Chetzroni D14/487
2013/0015206 A1 * 1/2013 van Haperen B67D 1/0051
222/144.5
2016/0346888 A1 * 12/2016 Huber A61C 13/0022

OTHER PUBLICATIONS

“Welcome to the watercooler” May 21, 2014, posted at mapgame.wikia.com, [site visited May 23, 2018]. https://web.archive.org/web/20140521180948/http://mapgame.wikia.com/wiki/Welcome_to_the_Watercooler.*

* cited by examiner

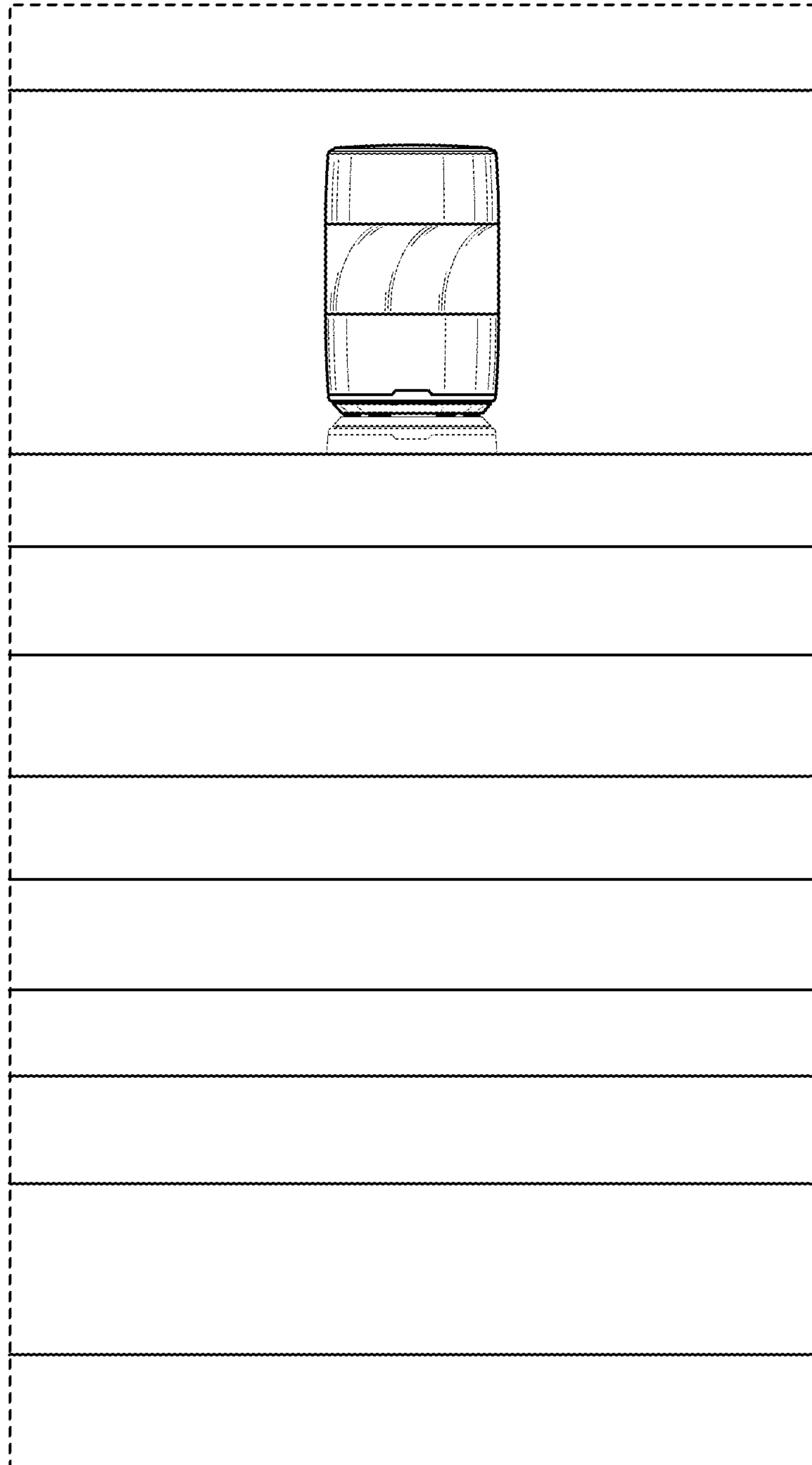


FIG. 1

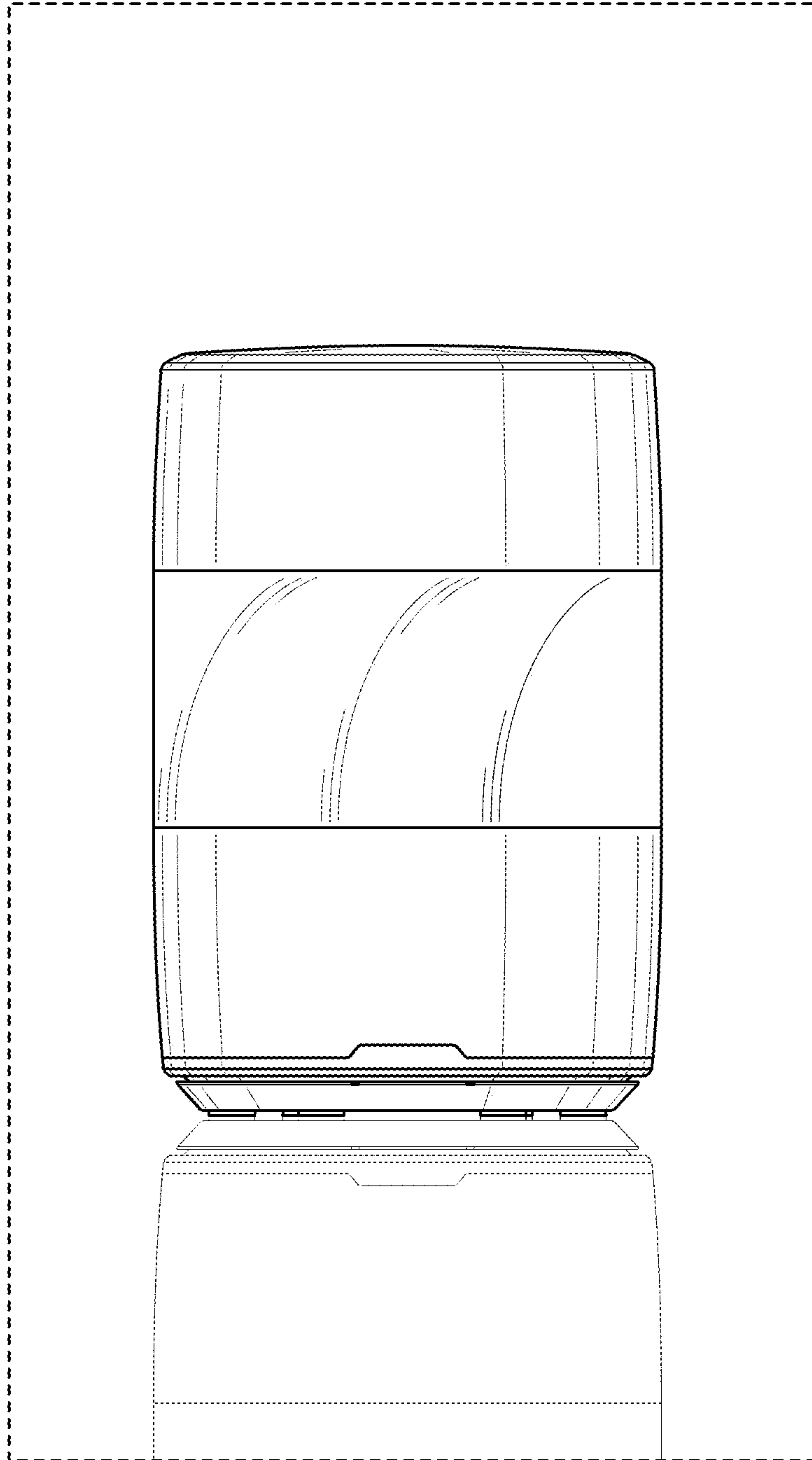


FIG. 2

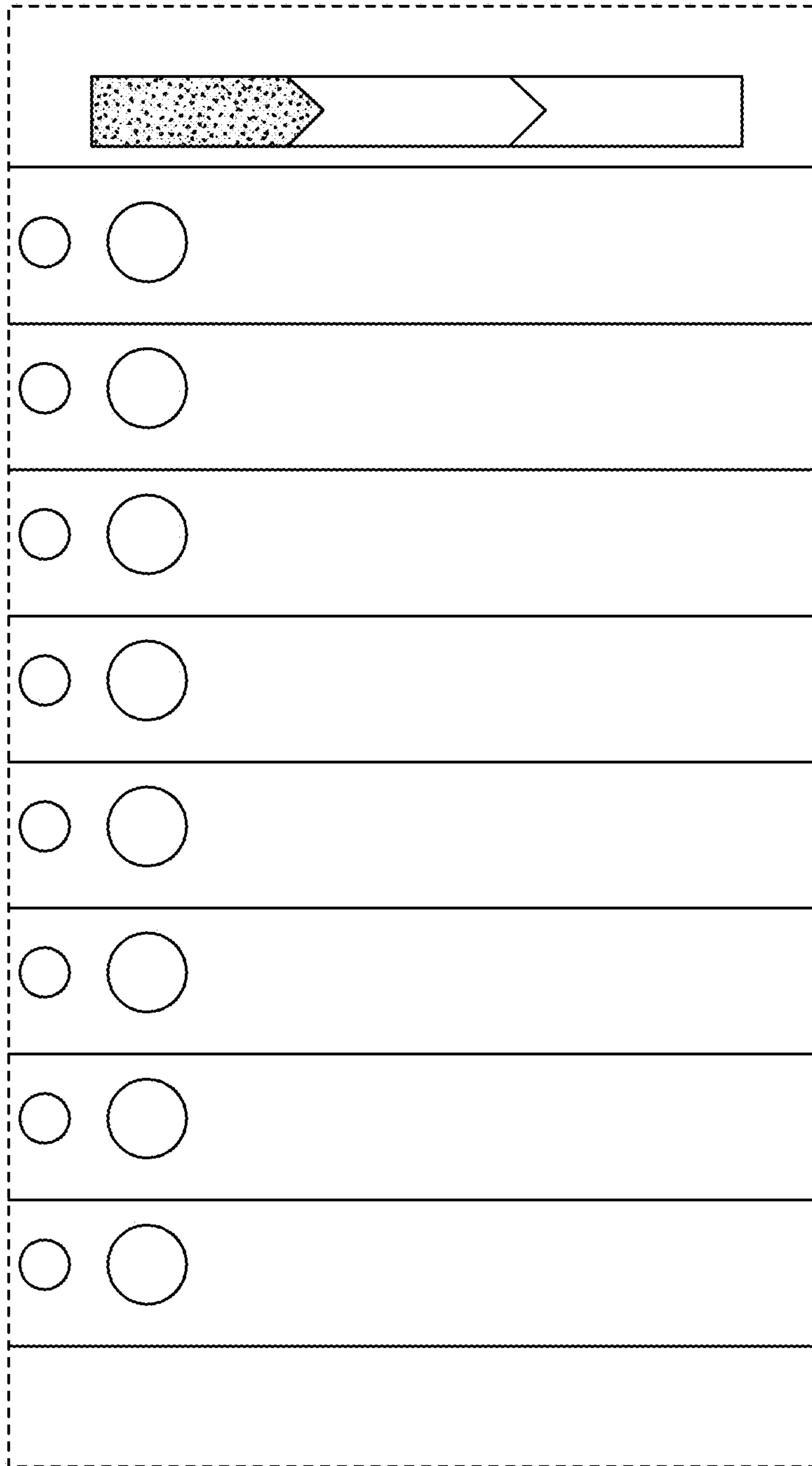


FIG. 3

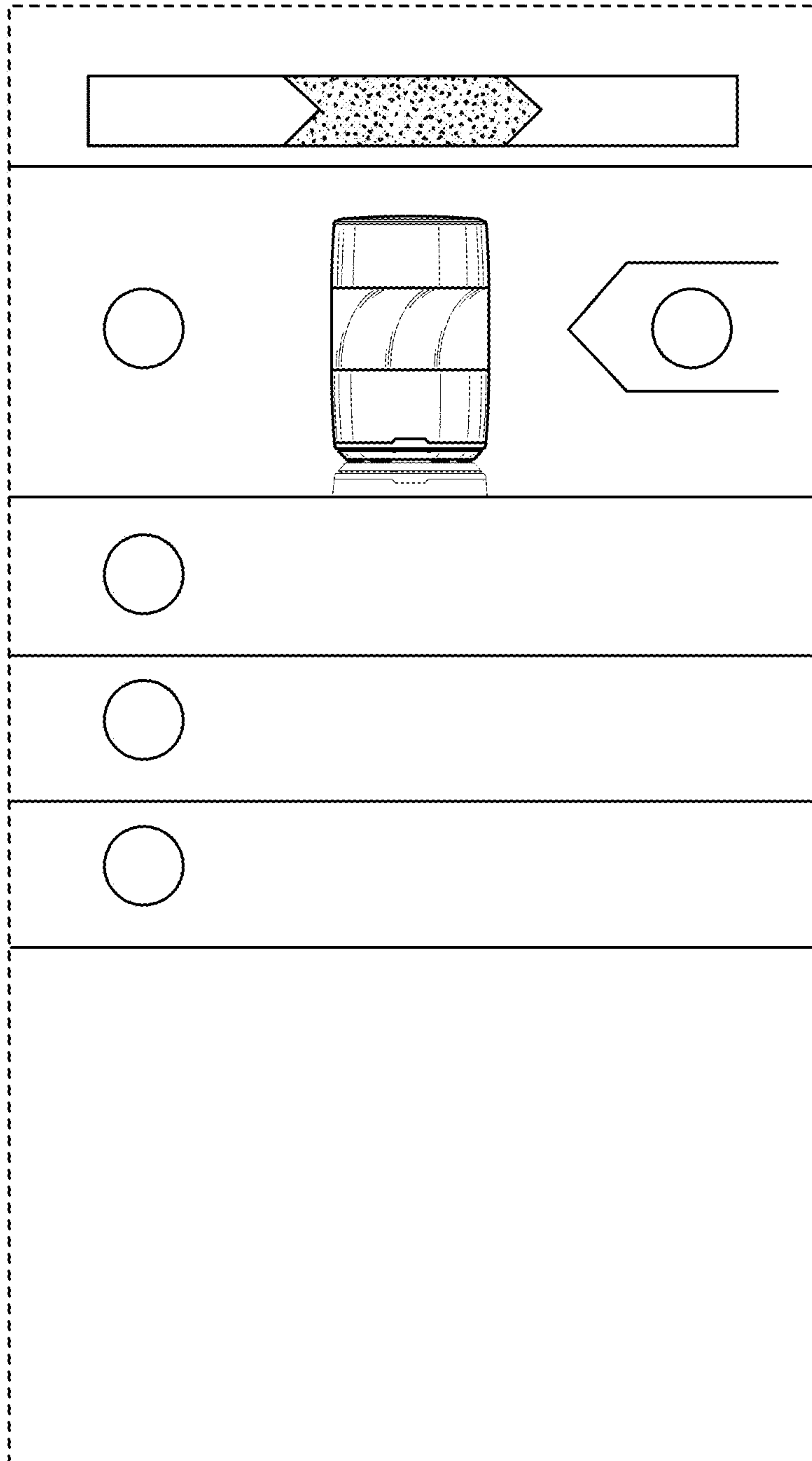


FIG. 4

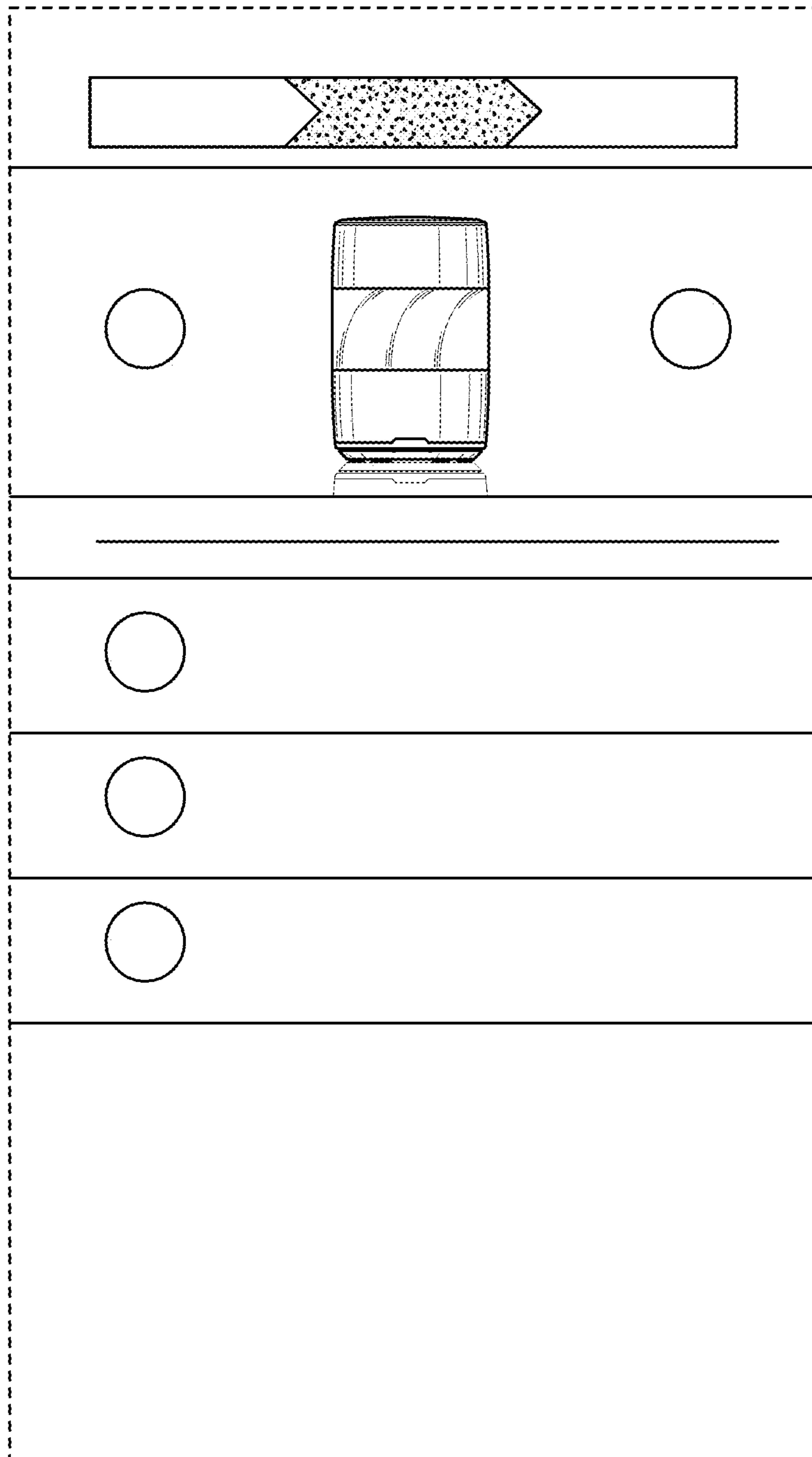


FIG. 5

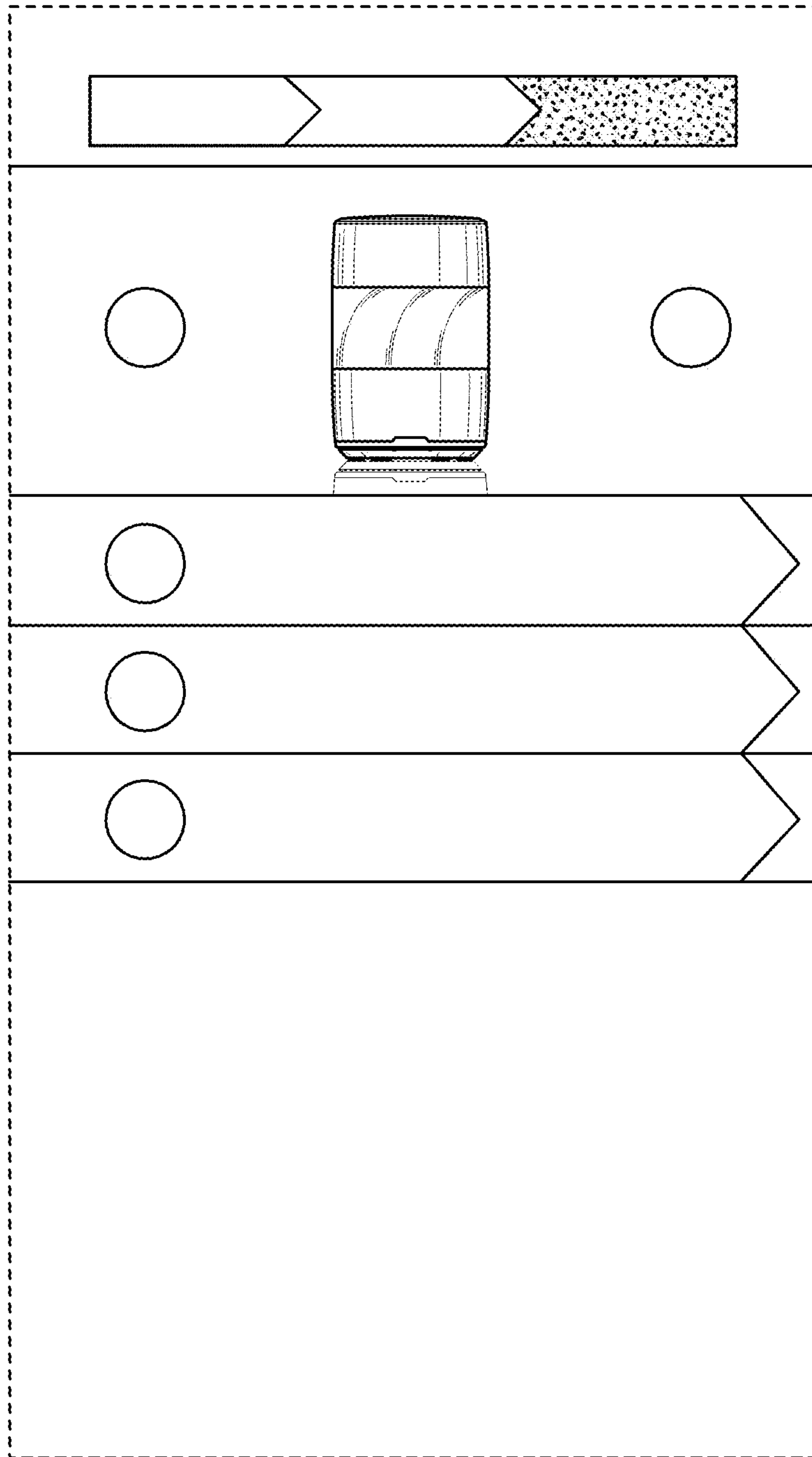


FIG. 6

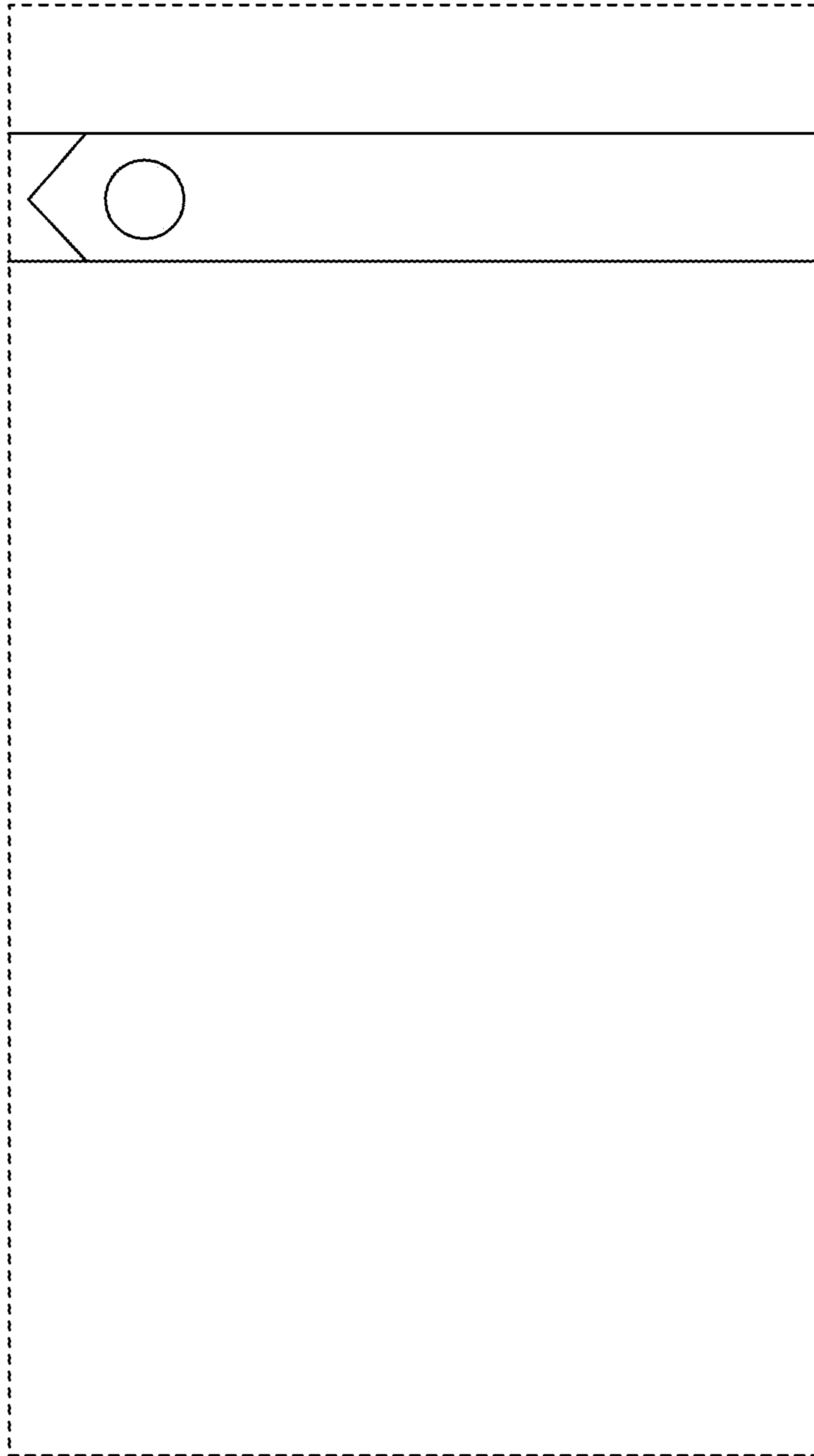


FIG. 7