



US00D832292S

(12) **United States Design Patent**
Hu et al.

(10) **Patent No.:** **US D832,292 S**
(45) **Date of Patent:** **** Oct. 30, 2018**

(54) **MOBILE COMMUNICATION TERMINAL
DISPLAY SCREEN WITH GRAPHICAL USER
INTERFACE**

(71) Applicant: **BEIJING KINGSOFT INTERNET
SECURITY SOFTWARE CO., LTD.,**
Beijing (CN)

(72) Inventors: **Suibiao Hu**, Beijing (CN); **Pinli Chen**,
Beijing (CN)

(73) Assignee: **Beijing Kingsoft Internet Security
Software Co., Ltd.**, Beijing (CN)

(**) Term: **15 Years**

(21) Appl. No.: **29/590,251**

(22) Filed: **Jan. 9, 2017**

(30) **Foreign Application Priority Data**

Jul. 28, 2016 (CN) 2016 3 0352333

(51) **LOC (11) Cl.** **14-04**

(52) **U.S. Cl.**
USPC **D14/486**

(58) **Field of Classification Search**
USPC D14/485–488
CPC G06F 3/04847; G06F 3/0485; G06F 3/048;
G06F 3/0488; H04N 1/00477
See application file for complete search history.

(56) **References Cited**

U.S. PATENT DOCUMENTS

D682,850 S *	5/2013	Del Pasqua	D14/485
D700,912 S *	3/2014	Kim	D14/485
D701,220 S *	3/2014	Kim	D14/485
D716,325 S *	10/2014	Brudnicki	D14/486
D717,822 S *	11/2014	Brotman	D14/486
D726,748 S *	4/2015	Maekawa	D14/486
D727,343 S *	4/2015	Matsuda	D14/486
D731,538 S *	6/2015	Lee	D14/488

D736,807 S *	8/2015	Lee	D14/486
D737,283 S *	8/2015	Scalisi	D14/485
D747,731 S *	1/2016	Oliveira	D14/486
D754,675 S *	4/2016	Vazquez	D14/485
D754,682 S *	4/2016	Lee	D14/485
D759,662 S *	6/2016	Panjabi	D14/485
D763,308 S *	8/2016	Wang	D14/486
D763,860 S *	8/2016	Sunshine	D14/485

(Continued)

OTHER PUBLICATIONS

U.S. Appl. No. 29/590,256 entitled “Mobile Communication Terminal With Graphical User Interface” filed Jan. 9, 2017, 12 pages.

Primary Examiner — Darlington Ly

Assistant Examiner — Katherine A Holbrow

(74) *Attorney, Agent, or Firm* — Leanne Taveggia Farrell;
David D. Brush; Westman, Champlin & Koehler, P.A.

(57) **CLAIM**

The ornamental design for a mobile communication terminal display screen with graphical user interface, as shown and described.

DESCRIPTION

FIG. 1 is a front view of a mobile communication terminal display screen with graphical user interface, showing a first embodiment of the new design;

FIG. 2 shows the design of FIG. 1 in the context of different broken lines;

FIG. 3 shows the design of FIG. 1 in the context of different broken lines;

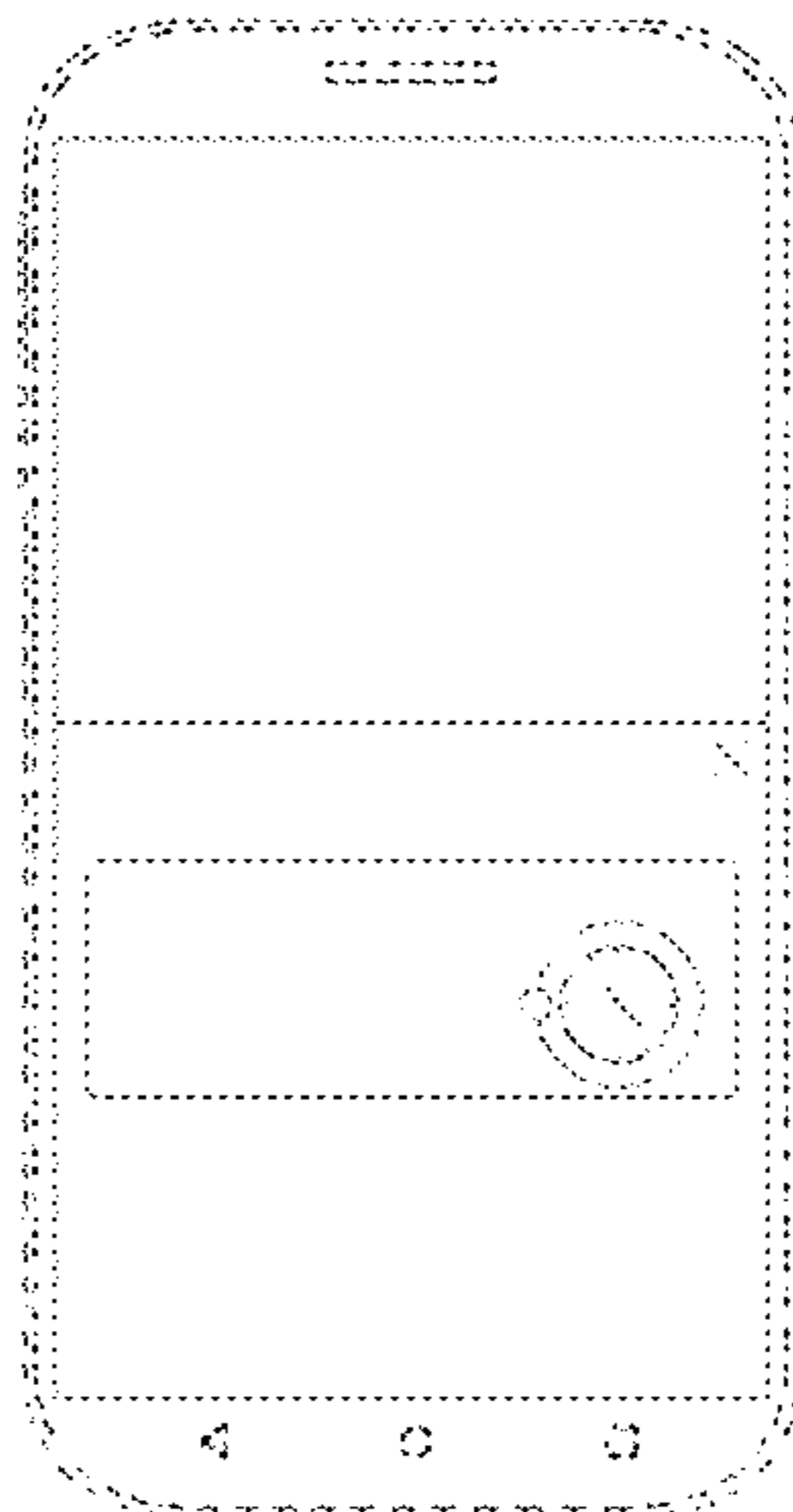
FIG. 4 is a second embodiment thereof;

FIG. 5 is a third embodiment thereof; and,

FIG. 6 is a fourth embodiment thereof.

The broken line showing of the device and portions of the graphic user interface are included for the purpose of illustrating environmental structure and portions of the article and form no part of the claimed design.

1 Claim, 6 Drawing Sheets



(56)

References Cited

U.S. PATENT DOCUMENTS

D763,894 S * 8/2016 Lamparelli D14/486
D766,917 S * 9/2016 Kwon D14/485
D766,958 S * 9/2016 Salazar Cardozo D14/486
D767,586 S * 9/2016 Kwon D14/485
D775,165 S * 12/2016 Sun D14/486
D775,636 S * 1/2017 Tsujimoto D14/485
D779,522 S * 2/2017 Ahadi D14/486
D779,533 S * 2/2017 Liu D14/486
D780,781 S * 3/2017 Ding D14/486
D781,890 S * 3/2017 Gathman D14/486
D783,672 S * 4/2017 Rajasankar D14/488
D785,017 S * 4/2017 Wang D14/486
D788,785 S * 6/2017 Flood D14/485
D794,047 S * 8/2017 Gandhi D14/485
D794,048 S * 8/2017 Lee D14/485
D798,889 S * 10/2017 Mochel D14/486
D802,614 S * 11/2017 Bae D14/486
D810,771 S * 2/2018 Gandhi D14/486
D811,425 S * 2/2018 Olsen D14/486
D816,090 S * 4/2018 Stonecipher D14/485
D818,491 S * 5/2018 Timmer D14/489
2003/0169296 A1 * 9/2003 Ito G06F 3/1205
715/770
2011/0119079 A1 * 5/2011 Schoenberg G06F 19/328
705/2
2013/0218721 A1 * 8/2013 Borhan G06Q 20/322
705/26.41
2015/0058427 A1 * 2/2015 Grignon H04W 4/02
709/206
2016/0098154 A1 * 4/2016 Ko G06F 3/0481
345/173
2016/0104133 A1 * 4/2016 Davis G06Q 20/10
705/39
2017/0200128 A1 * 7/2017 Kuwahara G06Q 10/1095

* cited by examiner

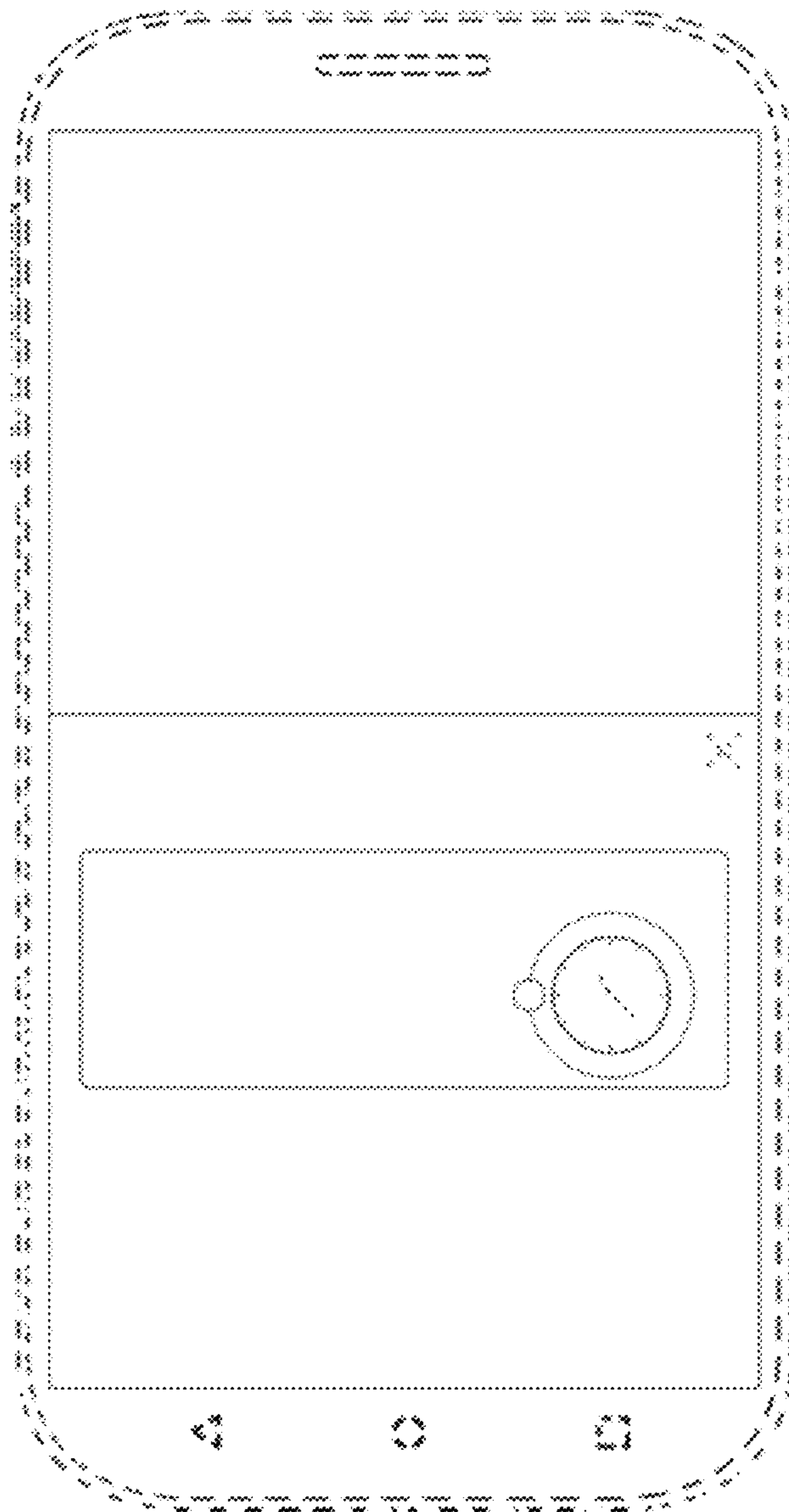


FIG. 1

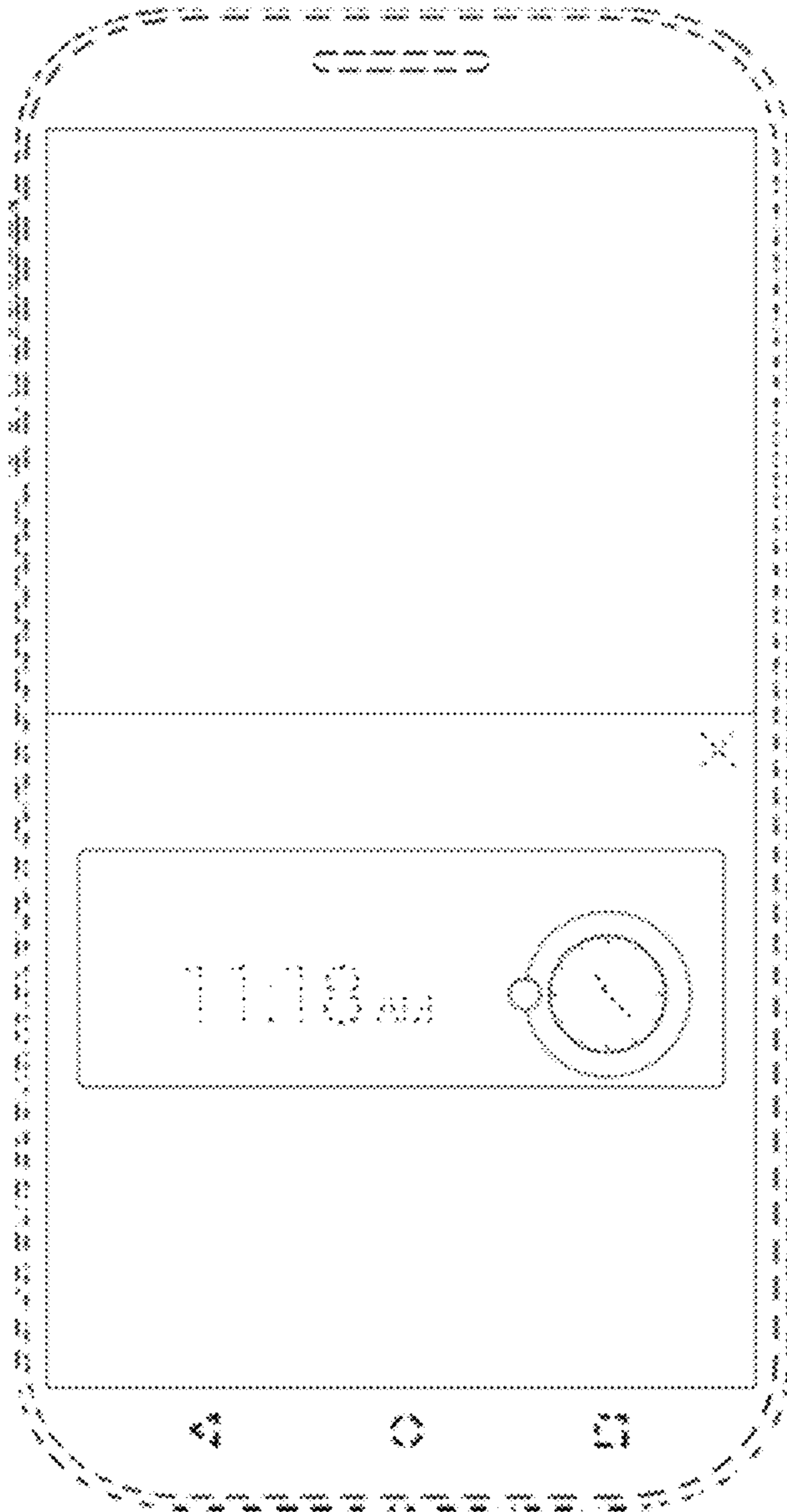


FIG. 2

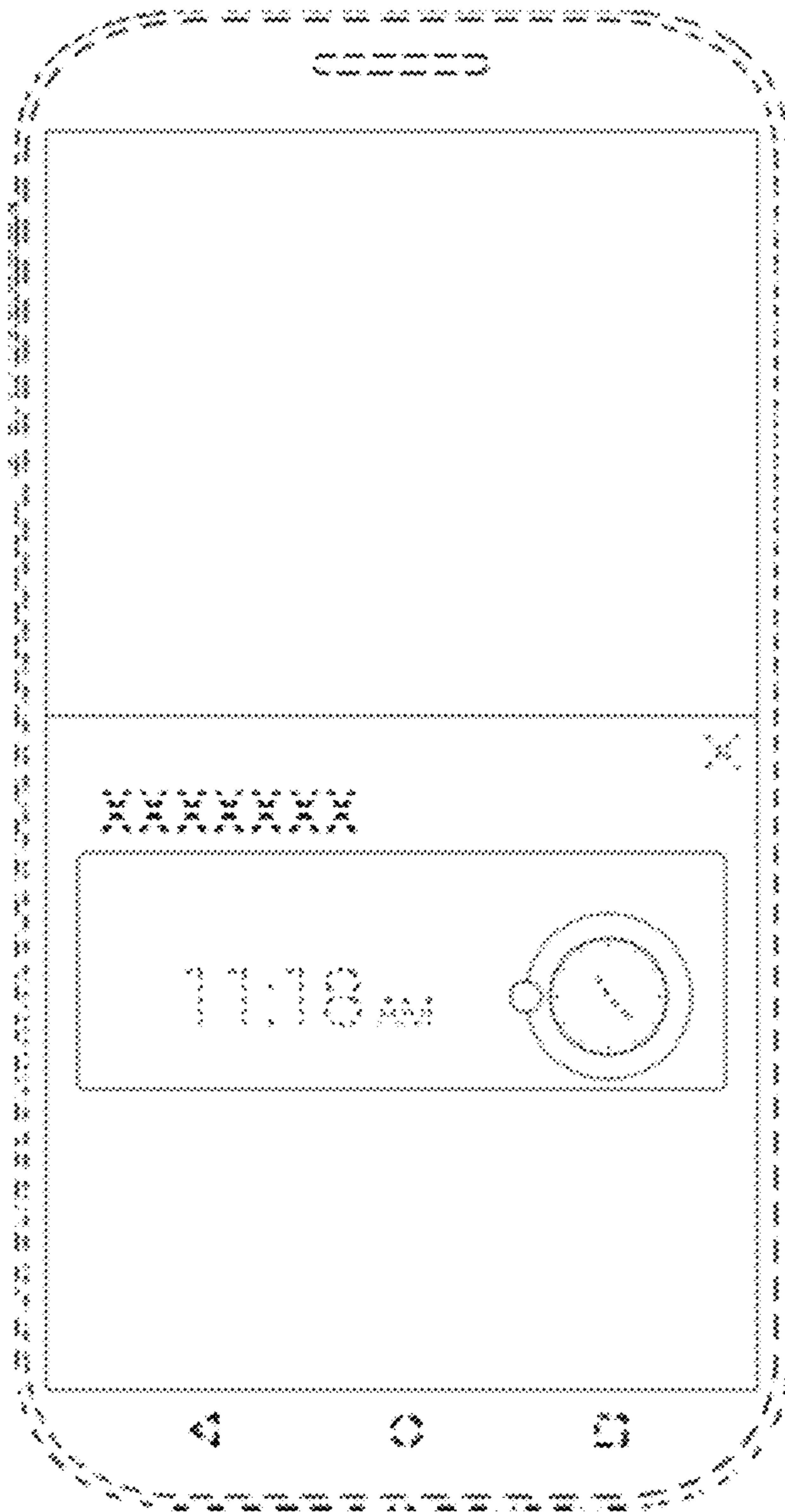


FIG. 3

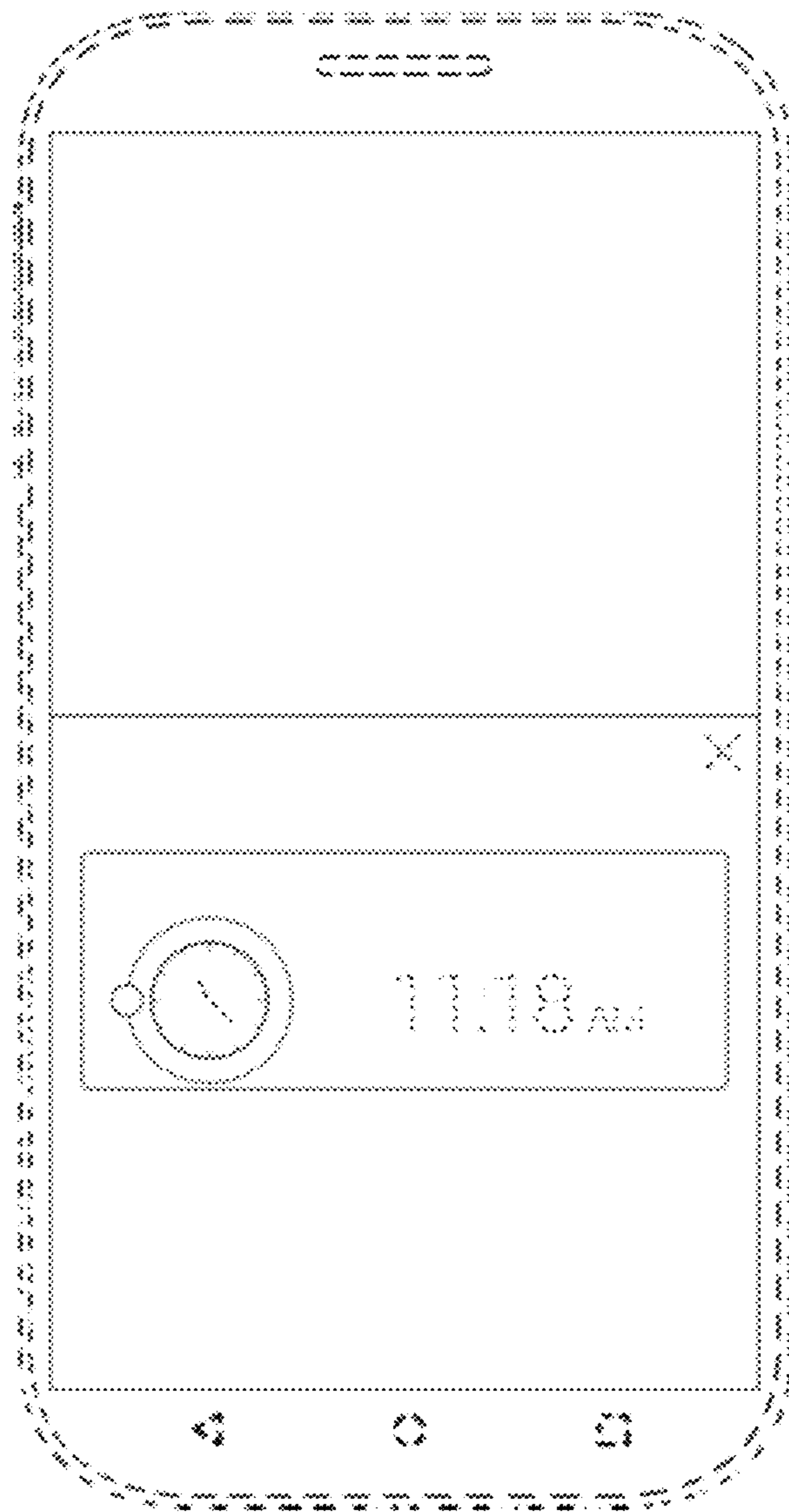


FIG. 4

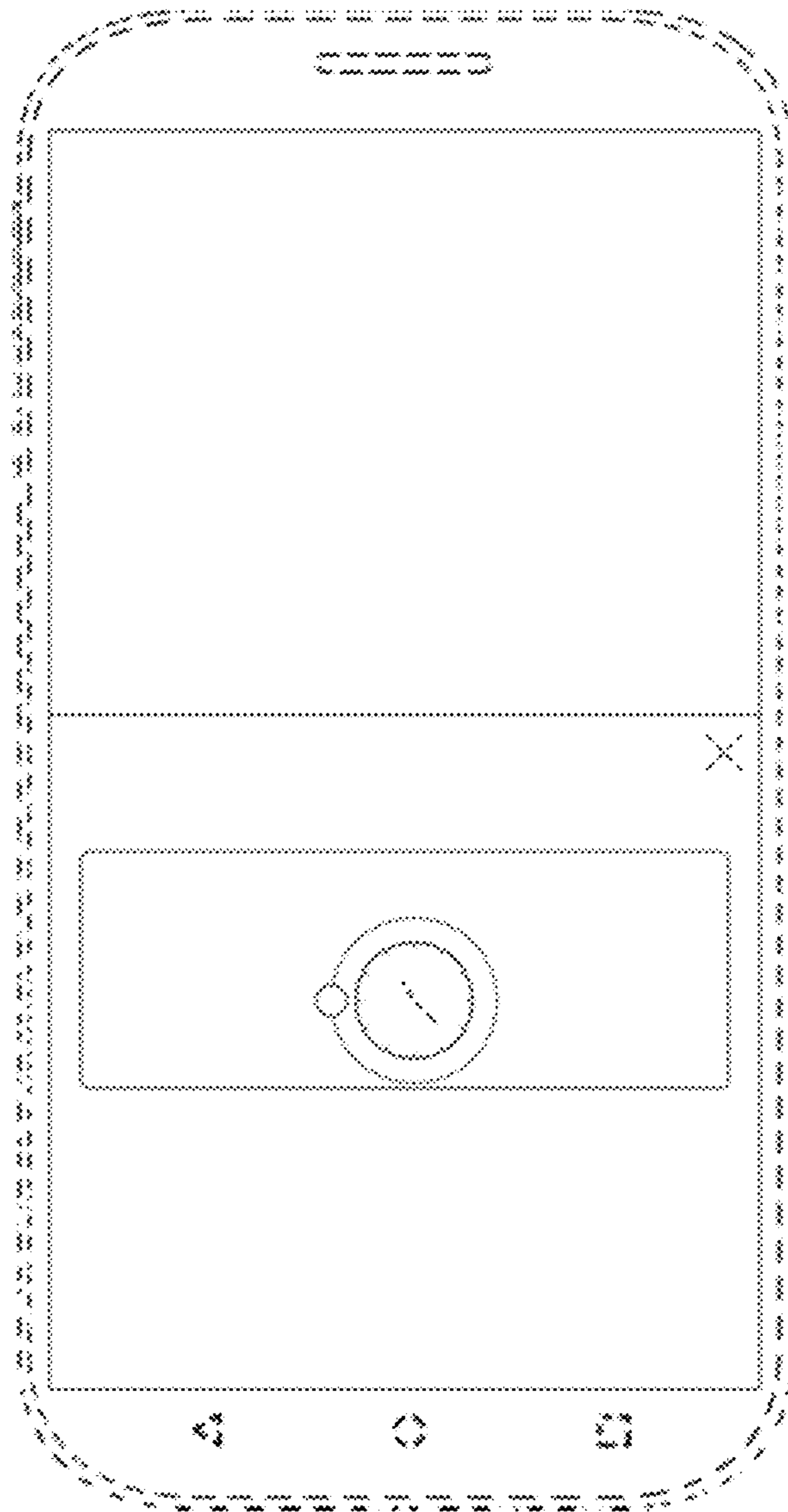


FIG. 5

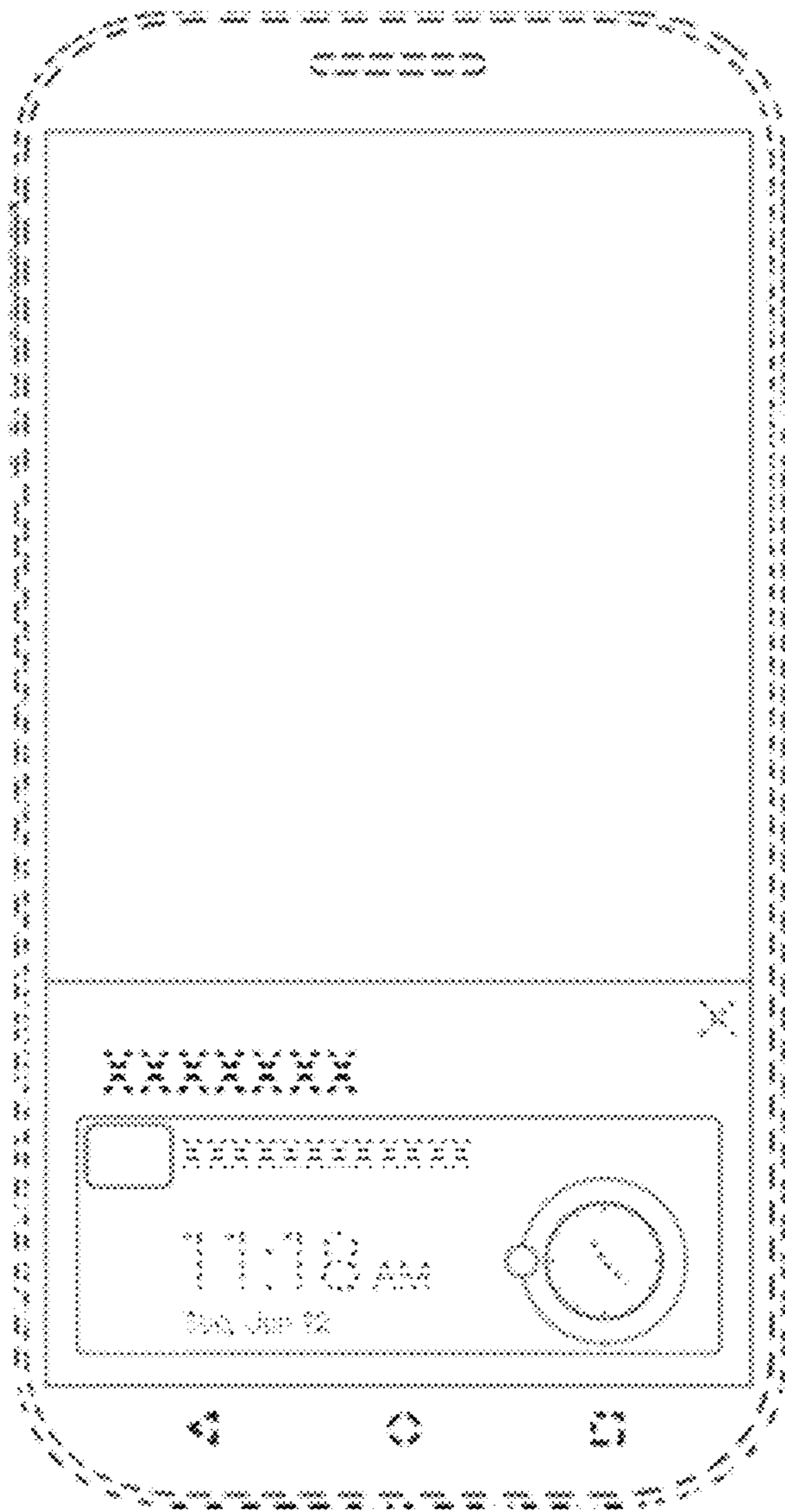


FIG. 6