



US00D832274S

(12) **United States Design Patent**
Wengreen

(10) **Patent No.:** **US D832,274 S**
(45) **Date of Patent:** **** Oct. 30, 2018**

- (54) **MOUNT FOR ELECTRONIC DEVICES**
- (71) Applicant: **Innovelis, Inc.**, Sammamish, WA (US)
- (72) Inventor: **Eric John Wengreen**, Sammamish, WA (US)
- (73) Assignee: **Innovelis, Inc.**, Sammamish, WA (US)
- (**) Term: **15 Years**
- (21) Appl. No.: **29/626,248**
- (22) Filed: **Nov. 15, 2017**
- (51) **LOC (11) Cl.** **08-07**
- (52) **U.S. Cl.**
USPC **D14/447**
- (58) **Field of Classification Search**
USPC D14/447, 432, 434, 439, 440, 451, 452,
D14/457, 239; D8/363, 373, 380;
D6/406.3, 406.4, 406.5, 406.6; D12/415
See application file for complete search history.

D282,034 S	1/1986	Janke	
4,602,761 A	7/1986	Carter	
D287,365 S *	12/1986	Judd	D14/447
4,697,780 A	10/1987	Wenkman	
4,746,042 A	5/1988	King	
4,771,927 A	9/1988	Ventura	
4,815,683 A	3/1989	Ferrante	
4,825,590 A	5/1989	Cullinane	
4,826,115 A	5/1989	Novitski	
4,840,773 A	6/1989	Wade	
4,852,843 A	8/1989	Chandler	
4,974,764 A	12/1990	Cantwell	
D317,157 S	5/1991	Jondelius	
5,038,985 A	8/1991	Chapin	
5,092,395 A	3/1992	Amidzich	
5,227,582 A	7/1993	Velasco	
5,273,690 A	12/1993	McDowell	

(Continued)

Primary Examiner — Angela J Lee

(57) **CLAIM**

The ornamental design for a mount for electronic devices, as shown and described.

DESCRIPTION

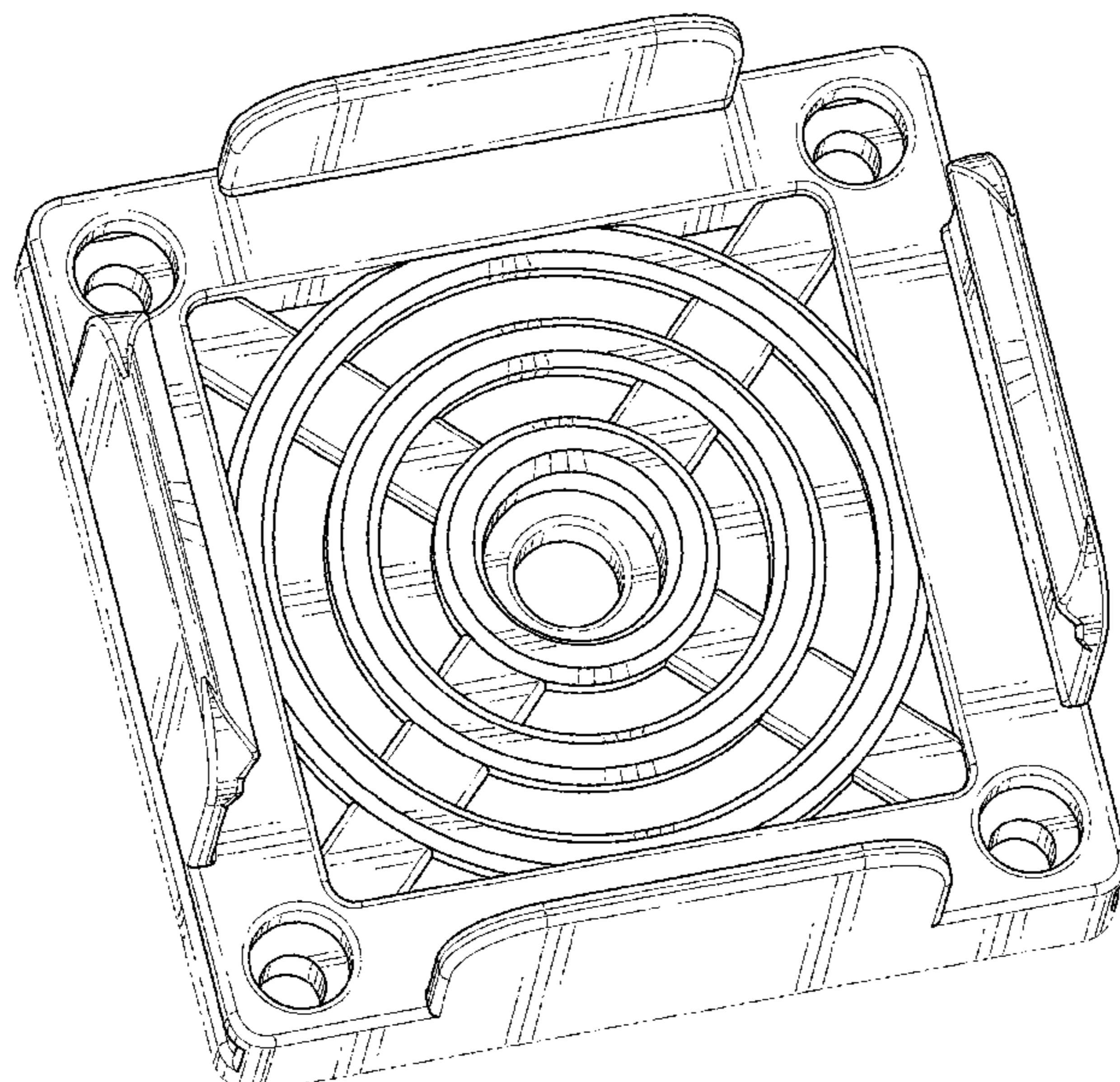
FIG. 1 is a front, first side, and bottom perspective view of a mount for electronic devices embodying the new design; FIG. 2 is a front, second side, and top perspective view thereof; FIG. 3 is a front view thereof; FIG. 4 is a back view thereof; FIG. 5 is a bottom view thereof; FIG. 6 is a top view thereof; FIG. 7 is a first side view thereof; and, FIG. 8 is a second side view thereof.

The uniform repeating line that comprises a long dash followed by two short dashes represents a boundary of the claimed design and forms no part of the claimed design.

1 Claim, 8 Drawing Sheets

(56) **References Cited**
U.S. PATENT DOCUMENTS

1,618,573 A	2/1927	Cole
2,584,646 A	2/1952	Wagstaff
3,091,378 A	5/1963	O'Dwyer
D196,542 S	10/1963	Zelnick
3,176,950 A	4/1965	Hittesdorf
3,279,009 A	10/1966	Teasdale
3,294,298 A	12/1966	Danielson
3,477,679 A	11/1969	Lovitz
3,990,617 A	11/1976	Carter
D242,766 S	12/1976	Neece
4,067,532 A	1/1978	Viteretto
4,158,450 A	6/1979	Suzuki
4,467,244 A	8/1984	Dickie
4,519,656 A	5/1985	Raz
D280,466 S	9/1985	Seltzer



(56)

References Cited

U.S. PATENT DOCUMENTS

5,297,318 A	3/1994	Adolphson	D565,399 S	4/2008	Grey	
D351,341 S	10/1994	Hung	D568,889 S	5/2008	Hughes	
5,385,282 A	1/1995	Chen	7,367,089 B2	5/2008	Cooke	
5,400,990 A	3/1995	Frankel	D570,801 S	6/2008	Allen	
D359,616 S	6/1995	Ishibashi	D586,795 S	2/2009	Richter	
D361,335 S	8/1995	Rudkiewicz	D592,206 S	5/2009	O'Brien	
D361,462 S	8/1995	Newham	D596,172 S	7/2009	Ahlqvist	
D362,663 S	9/1995	Nguyen	D598,945 S	8/2009	Gillespie	
D369,465 S	5/1996	Scheid	7,580,255 B2	8/2009	Crooijmans	
5,535,093 A	7/1996	Noguchi	D601,000 S	9/2009	Cole	
5,555,491 A	9/1996	Tao	D609,030 S	2/2010	Barabas	
D376,585 S	12/1996	Wathen	D610,579 S	2/2010	Behar	
D376,787 S	12/1996	Calfee	D624,949 S	10/2010	Nakayama	
5,593,124 A	1/1997	Wang	D625,729 S	10/2010	McNames	
5,619,395 A	4/1997	McBride	D628,611 S	12/2010	Lewis	
5,619,774 A	4/1997	Perry	7,854,420 B2	12/2010	Depay	
D388,107 S	12/1997	Huckins	D633,503 S	3/2011	Bo	
D390,849 S	2/1998	Richter	7,925,320 B2	4/2011	Pemble	
5,850,998 A	12/1998	Parsey	7,959,121 B1	6/2011	Barnes	
D407,408 S	3/1999	Hoff	7,980,435 B2	7/2011	Tages	
D409,079 S	5/1999	Sobczynski	8,041,029 B2	10/2011	Wiegers	
5,899,371 A	5/1999	Weliver	D648,707 S	11/2011	Akana	
D411,542 S	6/1999	Richter	D648,727 S	11/2011	Van Den Nieuwenhuizen	
5,914,707 A	6/1999	Kono	D654,077 S	2/2012	Radin	
5,961,083 A	10/1999	Hartman	D657,362 S	4/2012	Lister	
5,979,724 A	11/1999	Loewenthal	D660,306 S	5/2012	Voorhees	
D420,149 S	2/2000	Hersh	D662,491 S	6/2012	Andre	
6,039,173 A	3/2000	Crow	D667,411 S	9/2012	Kim	
D425,353 S	5/2000	Foy	D669,890 S	10/2012	Hopkins	
6,073,901 A	6/2000	Richter	D672,308 S	12/2012	Cobbett	
6,102,660 A	8/2000	Lee	8,322,584 B2	12/2012	Dethmers	
6,105,923 A	8/2000	Robertson	D675,208 S	1/2013	Petrick	
D431,250 S	9/2000	Richter	D680,540 S	4/2013	Lee	
6,163,997 A	12/2000	Deralas	D685,798 S *	7/2013	Weiss	D14/439
6,193,546 B1	2/2001	Sadler	D686,629 S	7/2013	Trinh	
D443,493 S	6/2001	Skeem	D688,253 S *	8/2013	Cho	D14/447
6,275,882 B1	8/2001	Cheever	D690,707 S	10/2013	Minn	
6,275,885 B1	8/2001	Chin	D692,013 S *	10/2013	Crysell	D14/447
6,336,615 B1	1/2002	Jeon	8,544,805 B2	10/2013	Virgin	
D456,024 S	4/2002	Richter	D695,298 S *	12/2013	Han	D14/440
D456,413 S	4/2002	Malson	D695,748 S	12/2013	Morris	
6,445,290 B1	9/2002	Fingal	D697,919 S *	1/2014	Gelsomini	D14/447
6,485,144 B1	11/2002	Liao	D700,832 S	3/2014	Ng	
D471,547 S	3/2003	Ruohonen	8,668,179 B2	3/2014	Corn	
6,554,527 B1	4/2003	O'Donnell	D705,229 S	5/2014	Wengreen	
6,560,983 B1	5/2003	Schimmeyer	D710,340 S	8/2014	Wengreen	
6,657,868 B1	12/2003	Hsue	D710,363 S	8/2014	Wengreen	
6,691,374 B2	2/2004	Coyne	D710,836 S	8/2014	Wengreen	
6,888,940 B1	5/2005	Deppen	D712,394 S	9/2014	Booth	
6,912,125 B2	6/2005	Weng	D712,906 S	9/2014	Wengreen	
D508,605 S	8/2005	Shih-Ming	D713,395 S	9/2014	Godycki	
6,939,641 B2	9/2005	Kincaid	D713,399 S	9/2014	Green	
6,983,126 B1	1/2006	Saalman	D713,849 S	9/2014	Kirwer	
D518,704 S	4/2006	Miao	8,847,549 B2	9/2014	Graham	
7,047,601 B1	5/2006	Vernon-Woods	8,848,113 B2	9/2014	Wengreen	
7,067,737 B2	6/2006	Mallen	D714,793 S	10/2014	Kim	
7,079,384 B2	7/2006	Wang	D716,580 S	11/2014	Wengreen	
7,080,764 B2	7/2006	McNicholas	D717,307 S	11/2014	Chun	
7,113,218 B2	9/2006	Battles	D717,804 S	11/2014	Budge	
D529,713 S	10/2006	Guyot	8,896,768 B1	11/2014	Wengreen	
D529,905 S	10/2006	Richter	8,934,060 B1	1/2015	Wengreen	
D530,713 S	10/2006	Richter	8,934,061 B1	1/2015	Wengreen	
D530,717 S	10/2006	Mori	8,939,417 B1	1/2015	Wengreen	
D533,175 S	12/2006	Richter	D723,042 S	2/2015	Lee	
7,145,603 B2	12/2006	Whitby	8,988,616 B2	3/2015	Wengreen	
D535,826 S	1/2007	Toghianian	9,019,698 B2	4/2015	Thiers	
D536,239 S	2/2007	Tallman	D729,544 S	5/2015	Wengreen	
7,222,762 B2	5/2007	Rees	D732,939 S	6/2015	Cannaverde	
D545,343 S	6/2007	Braun	D733,105 S	6/2015	Wengreen	
D547,863 S	7/2007	Heinsch	D733,542 S	7/2015	Cannaverde	
D551,008 S	9/2007	Hidalgo	D733,691 S	7/2015	Wengreen	
D553,352 S	10/2007	Allen	D734,305 S	7/2015	Wengreen	
D557,266 S	12/2007	Hughes	D735,174 S	7/2015	Wengreen	
D560,411 S	1/2008	Chung	D739,407 S	9/2015	Son	
D564,529 S	3/2008	Hughes	D739,410 S	9/2015	Chun	
			9,131,195 B2	9/2015	Wengreen	
			D742,387 S	11/2015	Xiang	
			9,185,953 B2	11/2015	Whitten	
			D746,599 S	1/2016	Olson	

(56)

References Cited

U.S. PATENT DOCUMENTS

D749,549 S	2/2016	Wengreen		2006/0224575 A1	10/2006	Ostojic
D749,597 S	2/2016	Wengreen		2007/0097617 A1	5/2007	Searby
D750,633 S	3/2016	Minn		2007/0235609 A1	10/2007	Chun
D751,563 S	3/2016	Wengreen		2007/0264169 A1	11/2007	Chen
D752,415 S	3/2016	Lu		2008/0078793 A1	4/2008	Brown
9,339,112 B2	5/2016	Wengreen		2009/0218454 A1	9/2009	Stanley
D759,005 S	6/2016	Murakami		2009/0296997 A1	12/2009	RocheFord
D759,018 S	6/2016	Subramaniam		2010/0270190 A1	10/2010	Howard
D761,236 S	7/2016	Wengreen		2010/0281671 A1	11/2010	De Vaan
D763,666 S	8/2016	Wengreen		2010/0288895 A1	11/2010	Shamie
D763,835 S	8/2016	Wengreen		2010/0314277 A1	12/2010	Murray
D765,063 S	8/2016	Wengreen		2011/0242439 A1	10/2011	Calderon
D765,064 S	8/2016	Wengreen		2012/0126081 A1	5/2012	Wengreen
D765,646 S	9/2016	Deng		2012/0127379 A1	5/2012	Wengreen
D765,651 S	9/2016	Liu		2012/0168516 A1	7/2012	Bolger
D767,377 S	9/2016	Sekula		2012/0280014 A1	11/2012	Lopez-Apodaca
D770,171 S	11/2016	Lai		2012/0312950 A1	12/2012	Sears
D772,217 S	11/2016	Alesi		2014/0061406 A1	3/2014	Chevalier
D773,465 S *	12/2016	Palmer	D14/434	2014/0103179 A1	4/2014	Lipke
D777,167 S	1/2017	Wengreen		2014/0241705 A1	8/2014	Wengreen
9,543,082 B1	1/2017	Wengreen		2015/0070835 A1	3/2015	McLean
D778,105 S *	2/2017	Coffey, Jr.	D14/447	2015/0212544 A1	7/2015	Chen
D779,466 S	2/2017	Wengreen		2015/0305502 A1	10/2015	Wengreen
9,578,960 B1	2/2017	Wu		2016/0007735 A1	1/2016	Gallup
D780,762 S	3/2017	Ju		2016/0119458 A1	4/2016	Gunther
D795,820 S	8/2017	Wengreen		2016/0120295 A1	5/2016	Rowley
2005/0023419 A1	2/2005	Frankel		2016/0218535 A1	7/2016	Prete
2005/0211861 A1	9/2005	Lee		2016/0234955 A1	8/2016	Wengreen
2005/0236541 A1	10/2005	Chang		2016/0241289 A1	8/2016	Wieth
				2017/0150620 A1	5/2017	Wengreen
				2017/0208945 A1	7/2017	Wengreen

* cited by examiner

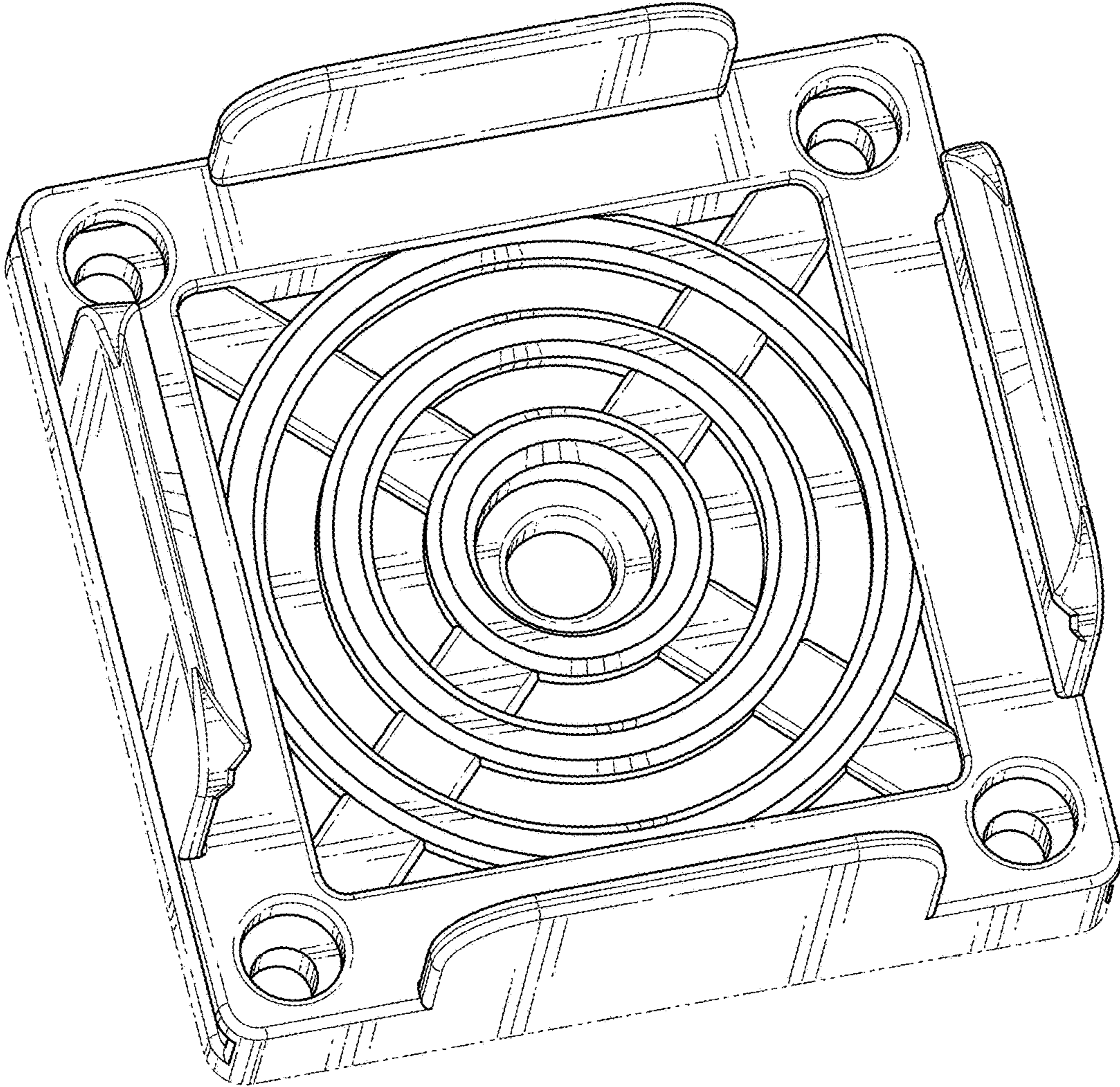


FIG. 1

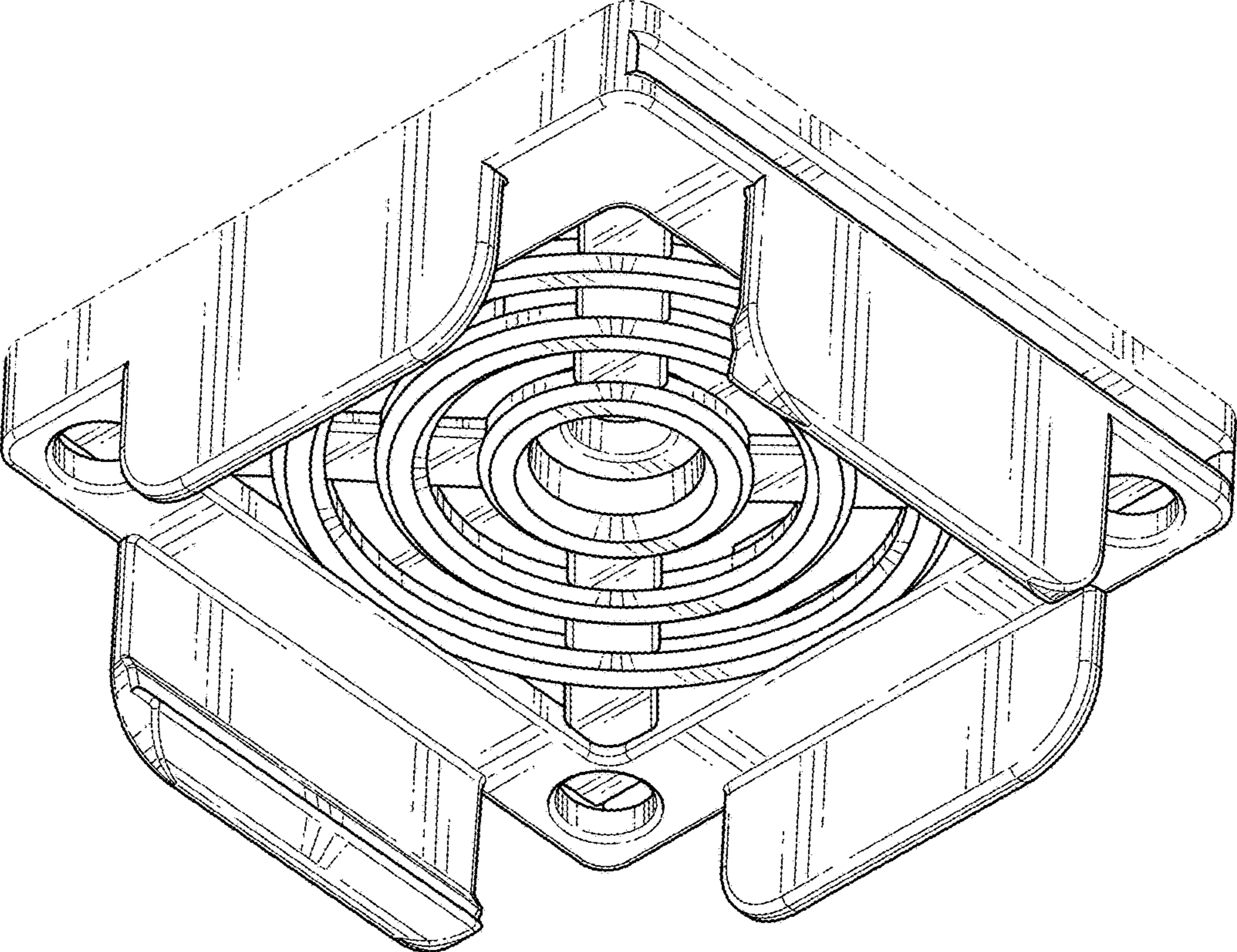


FIG. 2

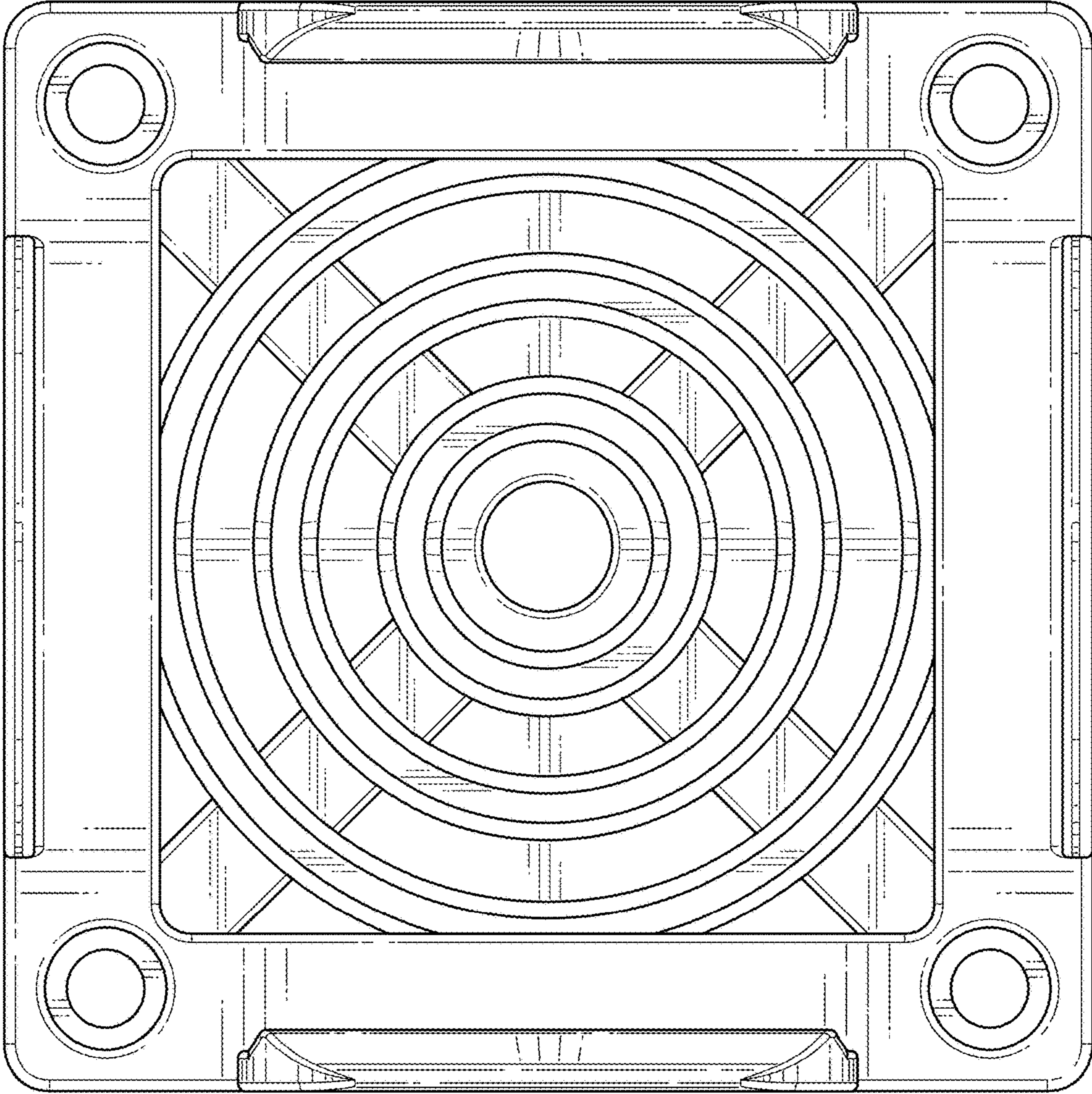


FIG. 3

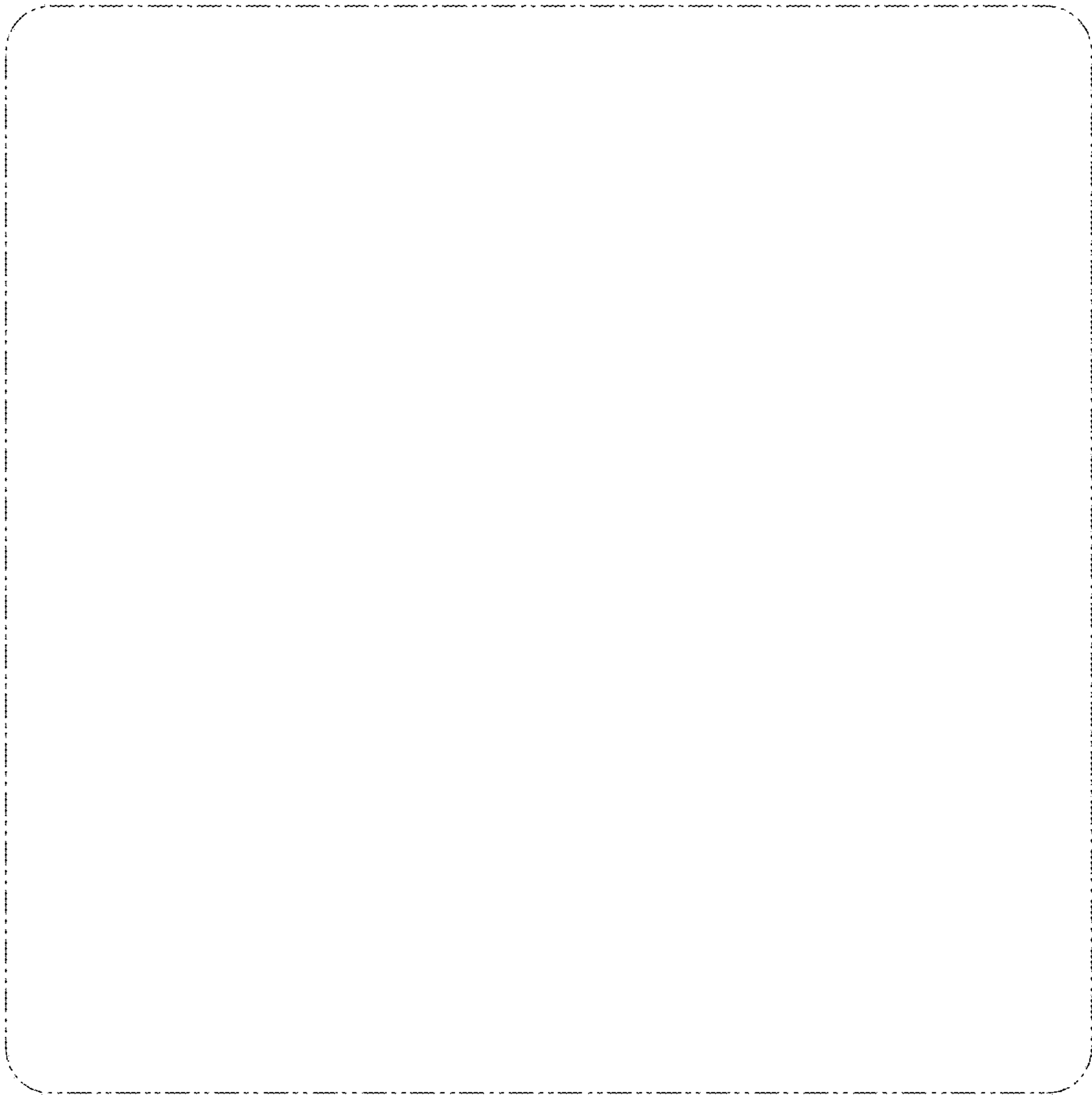


FIG. 4

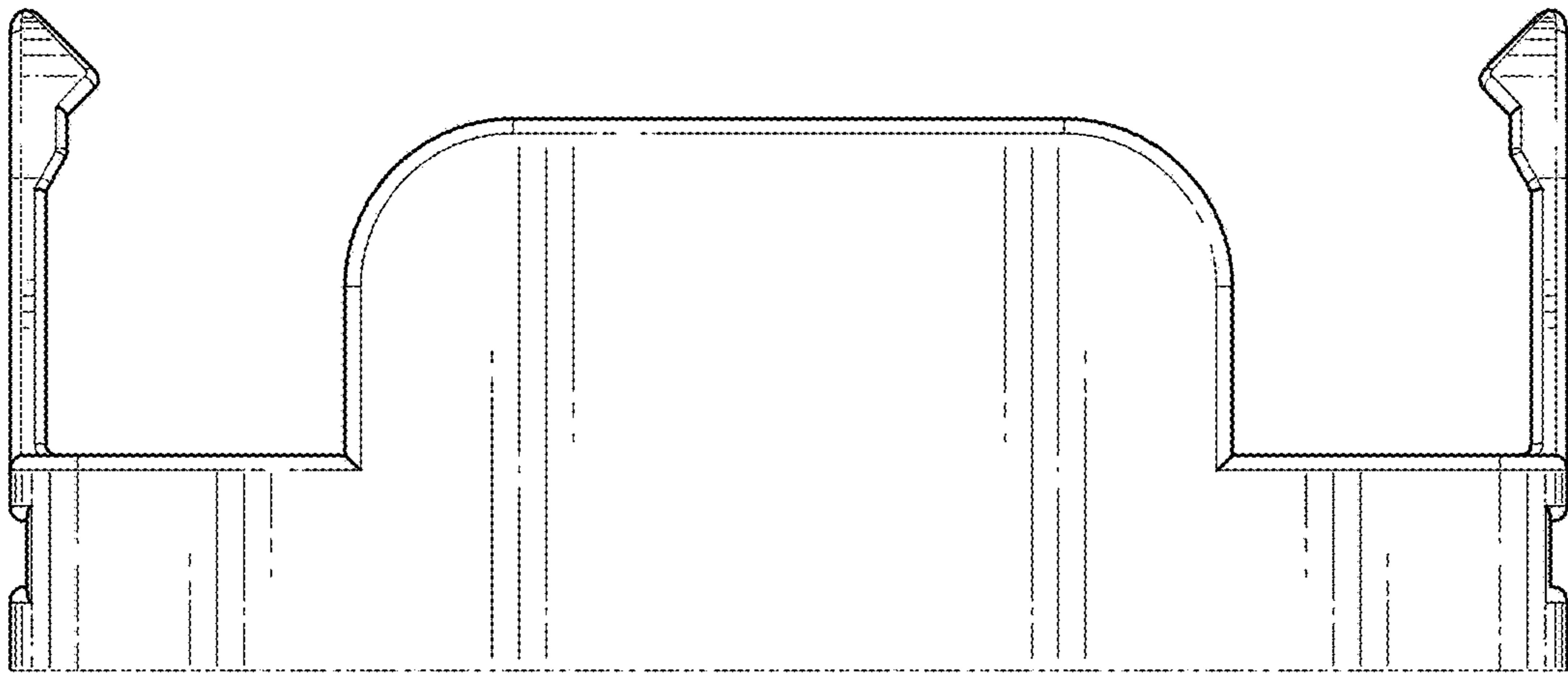


FIG. 5

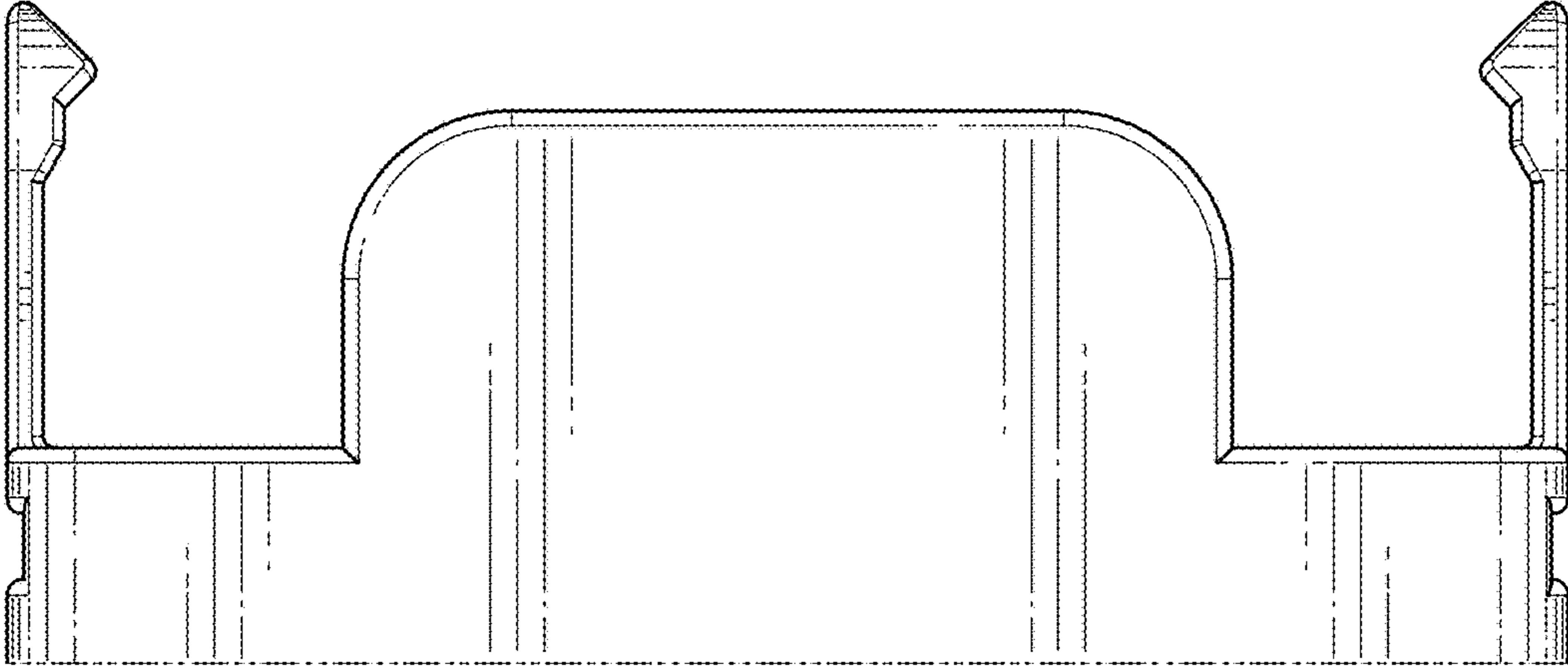


FIG. 6

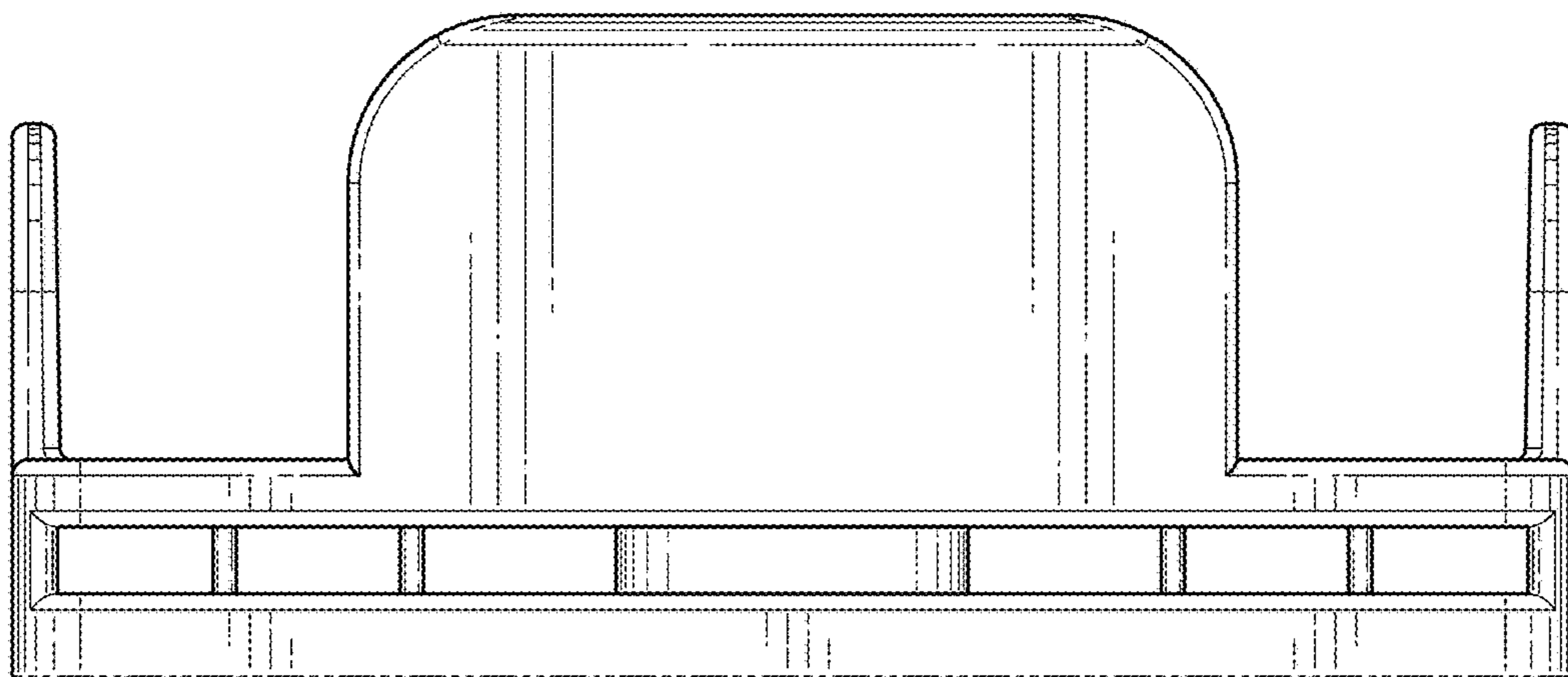


FIG. 7

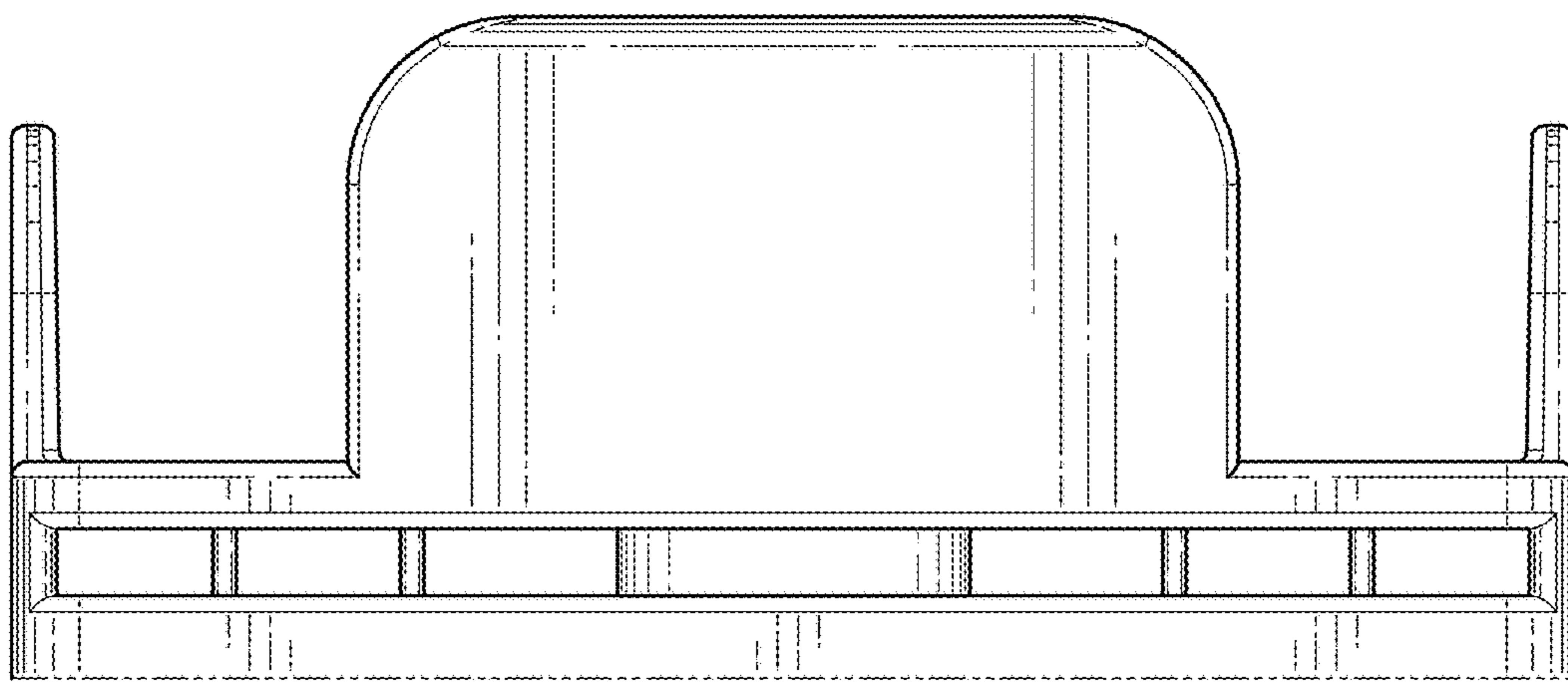


FIG. 8