

US00D832272S

(12) **United States Design Patent** (10) **Patent No.:** **US D832,272 S**
Tur (45) **Date of Patent:** **** Oct. 30, 2018**

(54) **TEACH PENDANT BUMPER**
(71) Applicant: **ROBOWORLD MOLDED PRODUCTS, LLC**, West Chester, OH (US)
(72) Inventor: **Christian A. Tur**, West Chester, OH (US)
(73) Assignee: **ROBOWORLD MOLDED PRODUCTS, LLC**, West Chester, OH (US)
(**) Term: **15 Years**

D671,930 S 12/2012 Akana et al.
D674,789 S 1/2013 Wen
D674,803 S 1/2013 Westrup
D678,262 S 3/2013 Prato
D681,483 S 5/2013 Biegert et al.
D688,582 S 8/2013 Wilson
D688,967 S 9/2013 Wilson
8,523,124 B2 9/2013 Yuan et al.
D692,006 S 10/2013 Fujioka
D693,709 S 11/2013 Lee et al.
D703,649 S 4/2014 Wikel et al.
D711,866 S 8/2014 Kawata
D714,295 S 9/2014 Fujioka
D716,312 S 10/2014 Fujioka
D717,304 S * 11/2014 Yturralde D14/250
D723,016 S 2/2015 Lee et al.
D728,549 S 5/2015 Su et al.

(21) Appl. No.: **29/623,900**
(22) Filed: **Oct. 27, 2017**
(51) **LOC (11) Cl.** **14-02**
(52) **U.S. Cl.**
USPC **D14/440**
(58) **Field of Classification Search**
USPC D14/440; D8/440; 261/45.23, 320, 45.2;
361/679.55; 29/25
CPC G06F 1/628; G06F 1/626; H04B 1/3555;
H05K 5/0217
See application file for complete search history.

Primary Examiner — Cynthia R Underwood
(74) *Attorney, Agent, or Firm* — Thomas E. Lees, LLC

(57) **CLAIM**

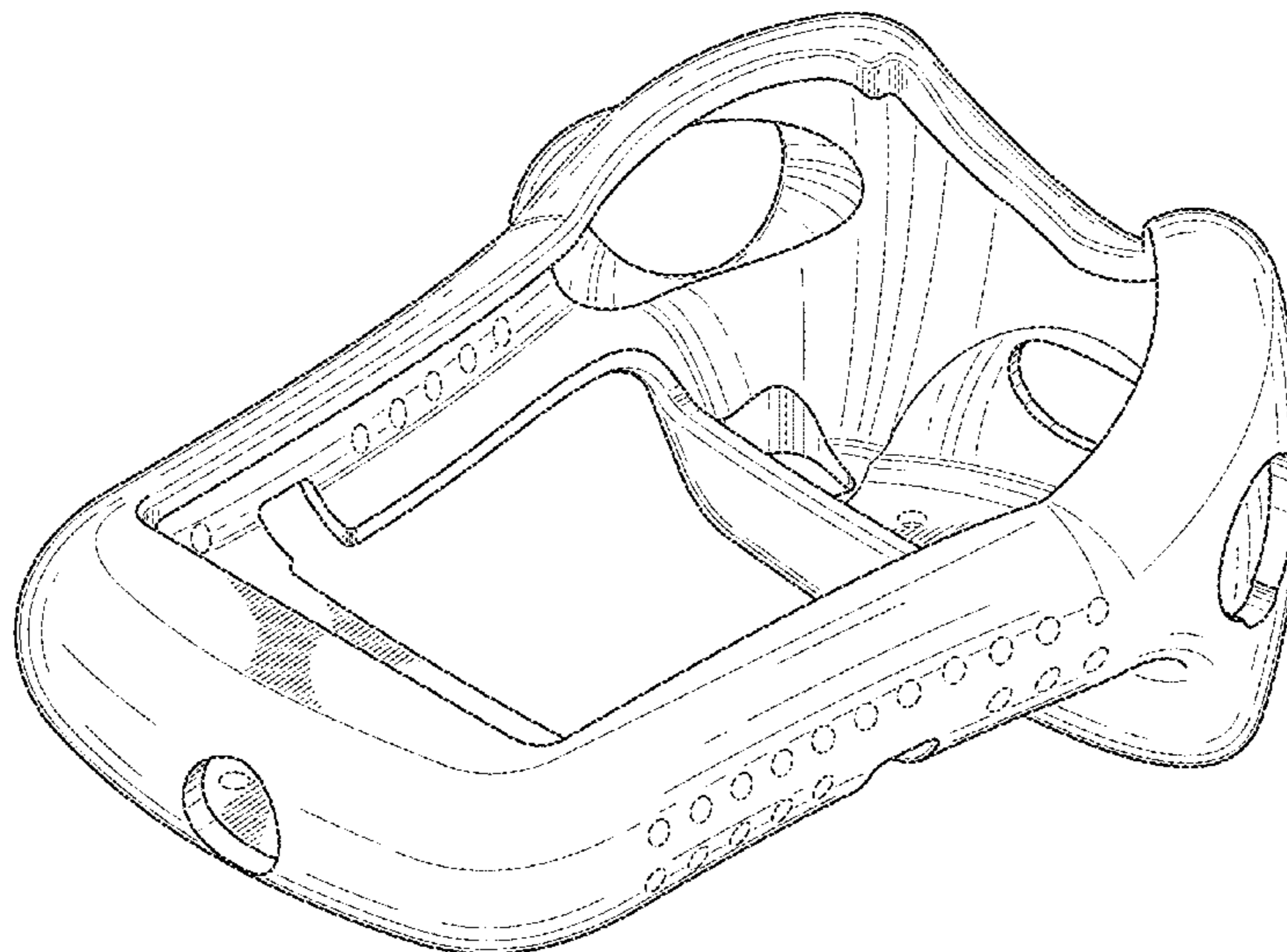
The ornamental design for a teach pendant bumper, as shown and described.

DESCRIPTION

FIG. 1 is a perspective view of a teach pendant bumper; FIG. 2 is a left side elevational view of the teach pendant bumper; FIG. 3 is a right side elevational view of the teach pendant bumper; FIG. 4 is a rear side elevational view of the teach pendant bumper; FIG. 5 is a front side elevational view of the teach pendant bumper; FIG. 6 is a top plan view of the teach pendant bumper; and, FIG. 7 is a bottom plan view of the teach pendant bumper. The broken lines represent portions of the structure that forms no part of the claim.

(56) **References Cited**
U.S. PATENT DOCUMENTS
5,887,723 A 3/1999 Myles et al.
D413,582 S 9/1999 Tompkins
D480,720 S 10/2003 Sjoberg et al.
D531,524 S 11/2006 Behling
D581,421 S * 11/2008 Richardson D14/440
D638,324 S 5/2011 Tang
D643,433 S 8/2011 Hsieh et al.
D647,107 S 10/2011 Akana et al.
D656,135 S 3/2012 Swartz et al.
8,256,612 B1 9/2012 Wang

1 Claim, 7 Drawing Sheets



(56)

References Cited

U.S. PATENT DOCUMENTS

D728,552 S *	5/2015	Kim	D14/250	D768,122 S	10/2016	Buffone	
D728,553 S *	5/2015	Kim	D14/250	D769,879 S	10/2016	Kim	
D729,787 S	5/2015	Soekoro		D779,495 S	2/2017	Tur	
D730,225 S	5/2015	Behar		D779,496 S	2/2017	Tur	
D735,198 S	7/2015	Song		D780,185 S	2/2017	Tur	
D735,199 S	7/2015	Song		D780,764 S	3/2017	Tur	
D735,200 S	7/2015	Song		D780,765 S	3/2017	Tur	
D735,586 S	8/2015	Stegmann		D781,295 S	3/2017	Tur	
D735,724 S	8/2015	Song		D781,296 S	3/2017	Tur	
D736,103 S	8/2015	Behling		D781,864 S	3/2017	Tur	
D736,777 S	8/2015	Rayner		D782,487 S	3/2017	Tur	
D747,707 S	1/2016	Roberts et al.		D786,879 S *	5/2017	Kim	D14/440
D751,558 S	3/2016	Lee		D792,886 S *	7/2017	Schwibner	D14/440
D752,044 S *	3/2016	Akana	D14/344	D801,341 S	10/2017	Tur	
D754,133 S	4/2016	Chen et al.		D801,342 S	10/2017	Tur	
D756,344 S	5/2016	Roberts et al.		D817,334 S *	5/2018	Fenton	D14/440
D761,263 S	7/2016	Brinkman et al.		D824,397 S *	7/2018	Charlesworth	D14/440
D762,201 S	7/2016	Tseng et al.		2006/0274493 A1	12/2006	Richardson et al.	
D762,202 S	7/2016	Tseng et al.		2010/0061191 A1	3/2010	Chen	
D762,203 S	7/2016	Chin et al.		2010/0243516 A1	9/2010	Martin et al.	
D764,476 S *	8/2016	Gleason, III	D14/440	2011/0297578 A1	12/2011	Stiehl et al.	
D764,477 S *	8/2016	Su	D14/440	2012/0043236 A1	2/2012	Szucs et al.	
D766,904 S	9/2016	Jung		2012/0182678 A1	7/2012	Wu et al.	
D766,905 S	9/2016	Lee		2012/0257340 A1	10/2012	Kim	
D766,906 S	9/2016	Kim		2012/0321294 A1	12/2012	Tages et al.	
D767,573 S	9/2016	Kim		2013/0148271 A1	6/2013	Huang	
				2013/0210503 A1	8/2013	Keesling et al.	
				2013/0222139 A1	8/2013	Gouge et al.	
				2014/0216953 A1	8/2014	Su et al.	

* cited by examiner

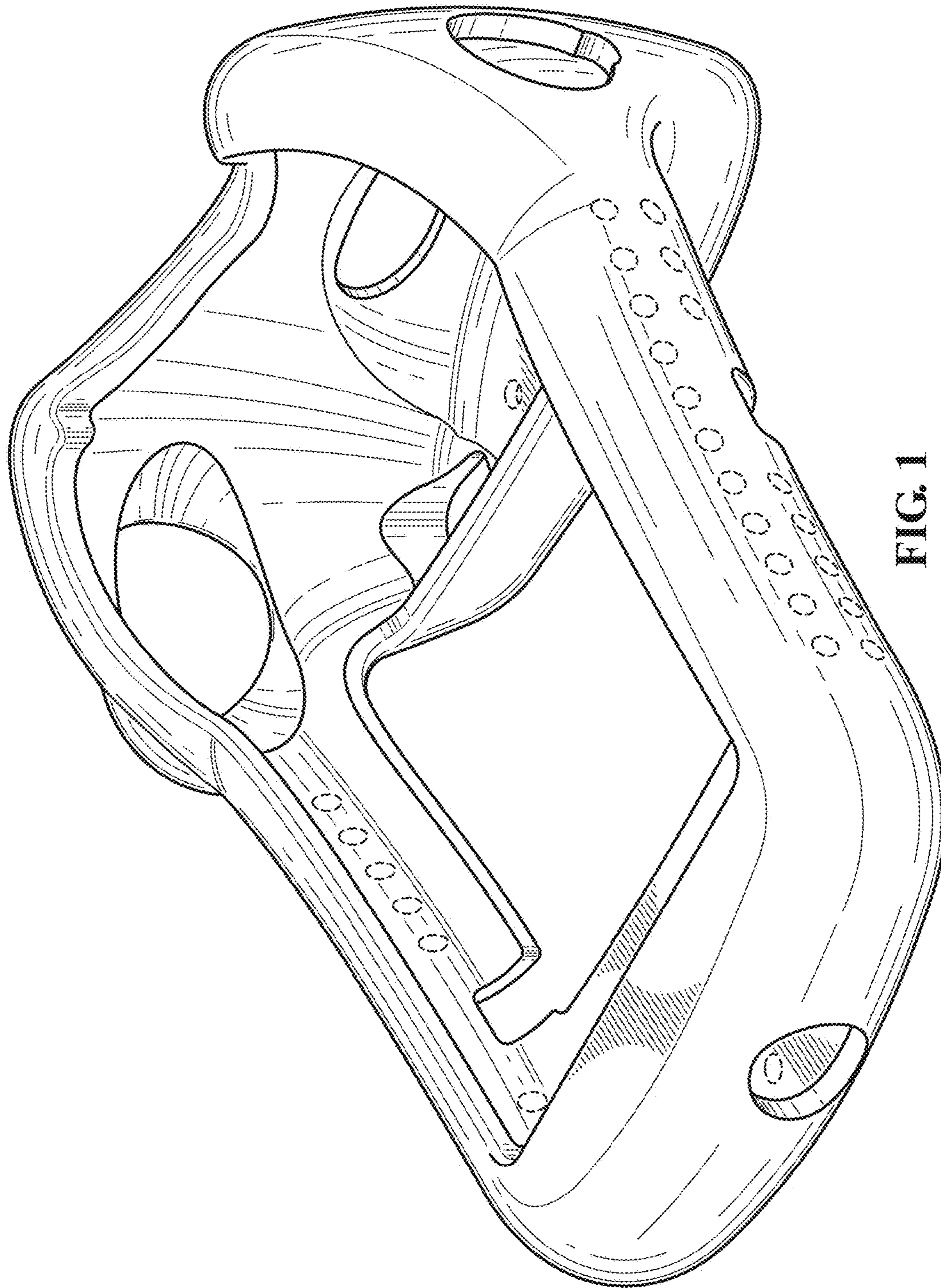


FIG. 1

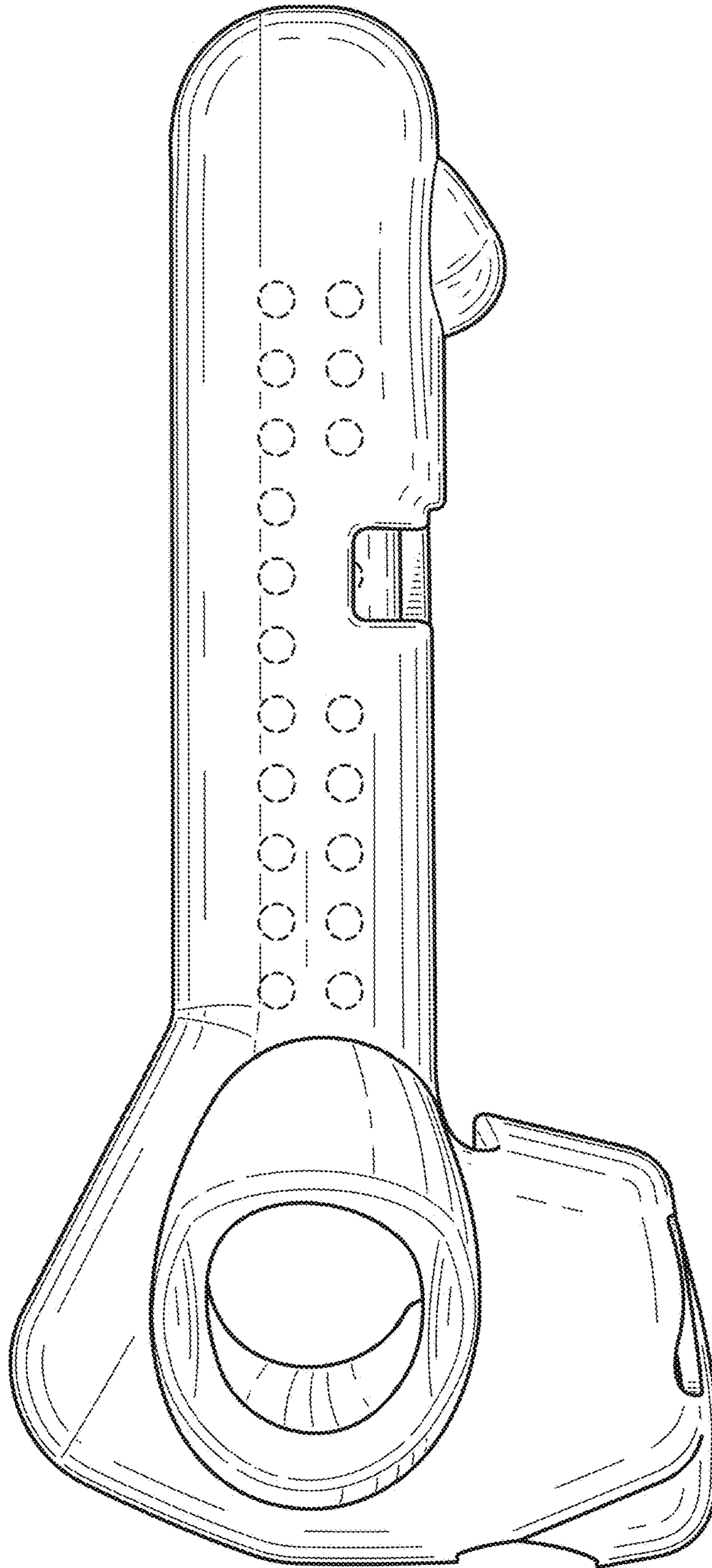


FIG. 2

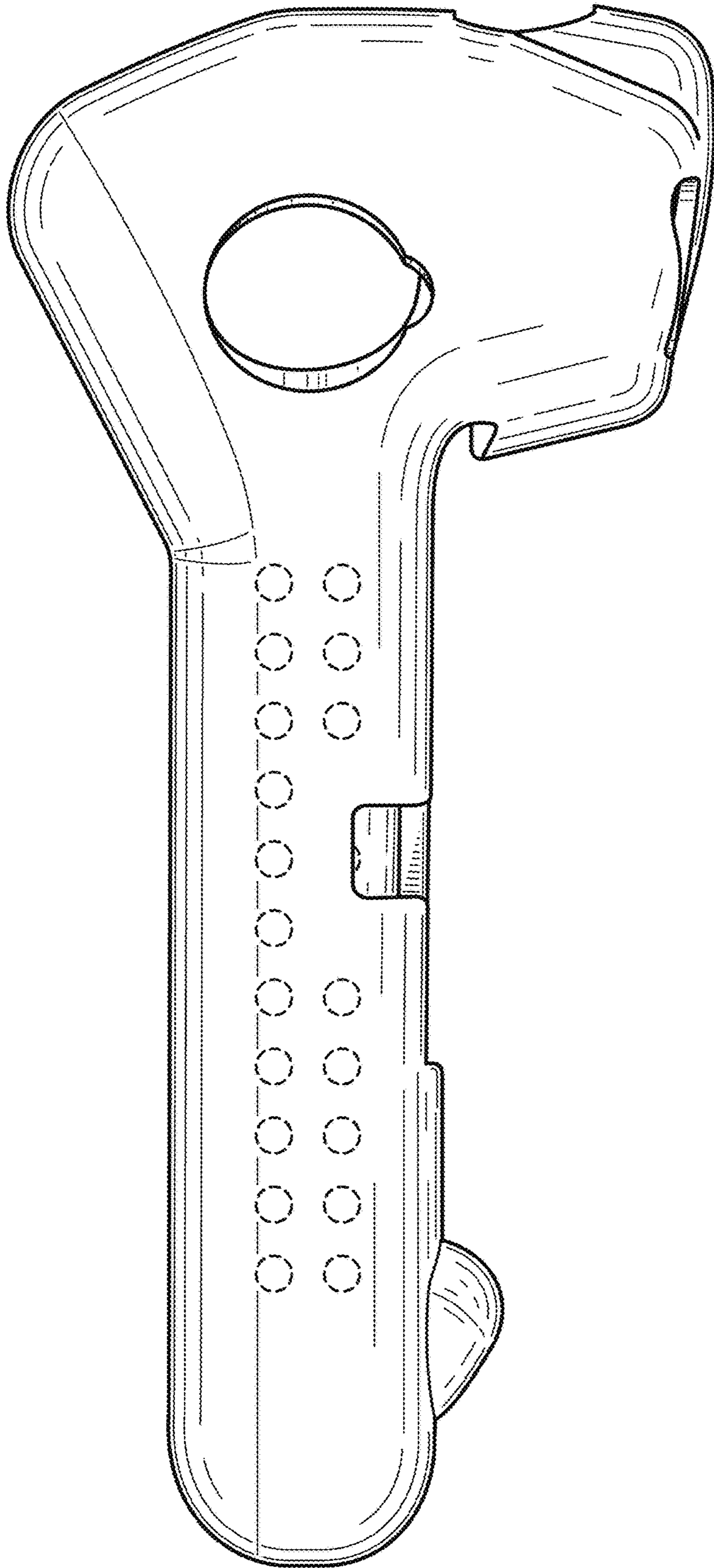


FIG. 3

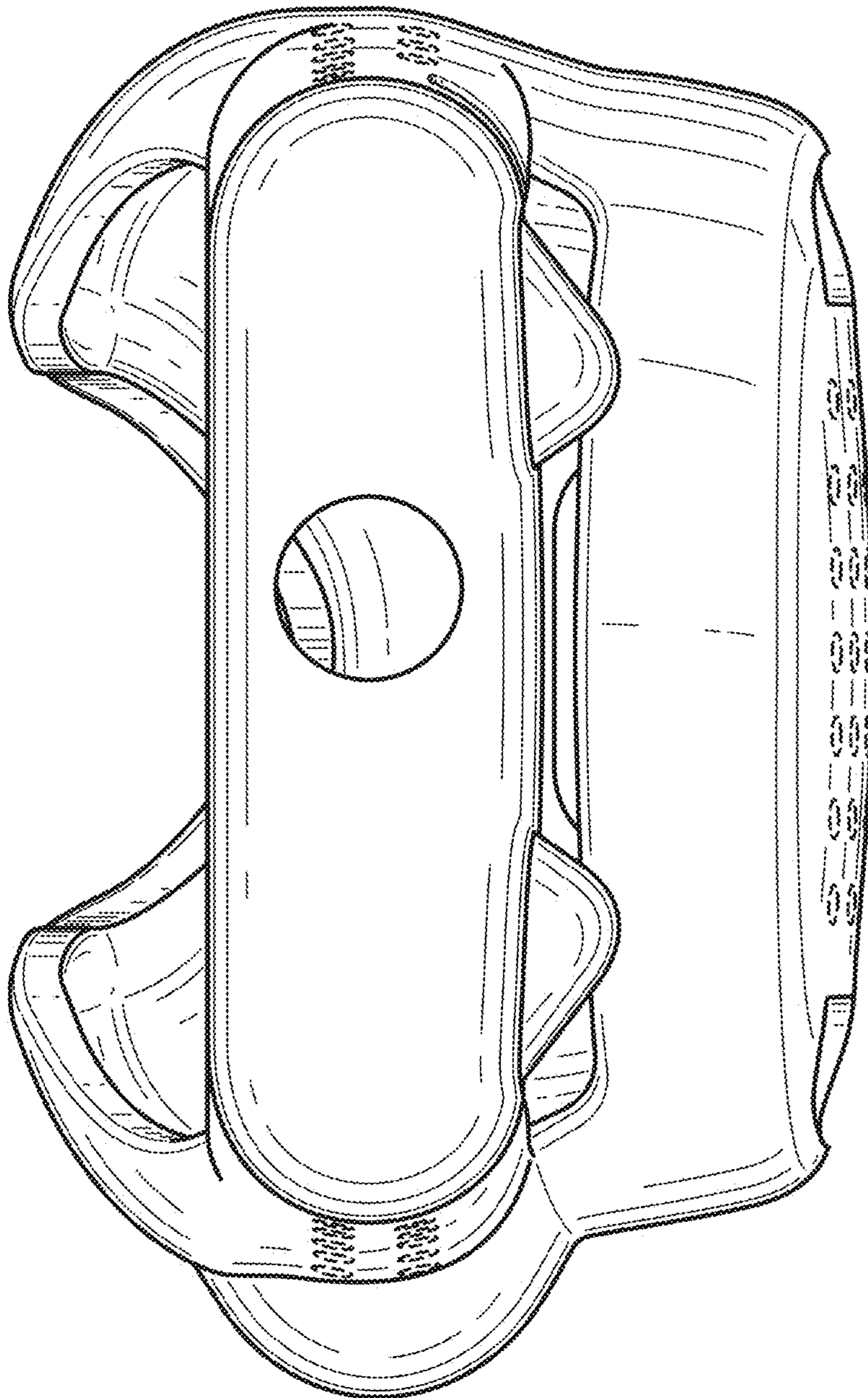


FIG. 4

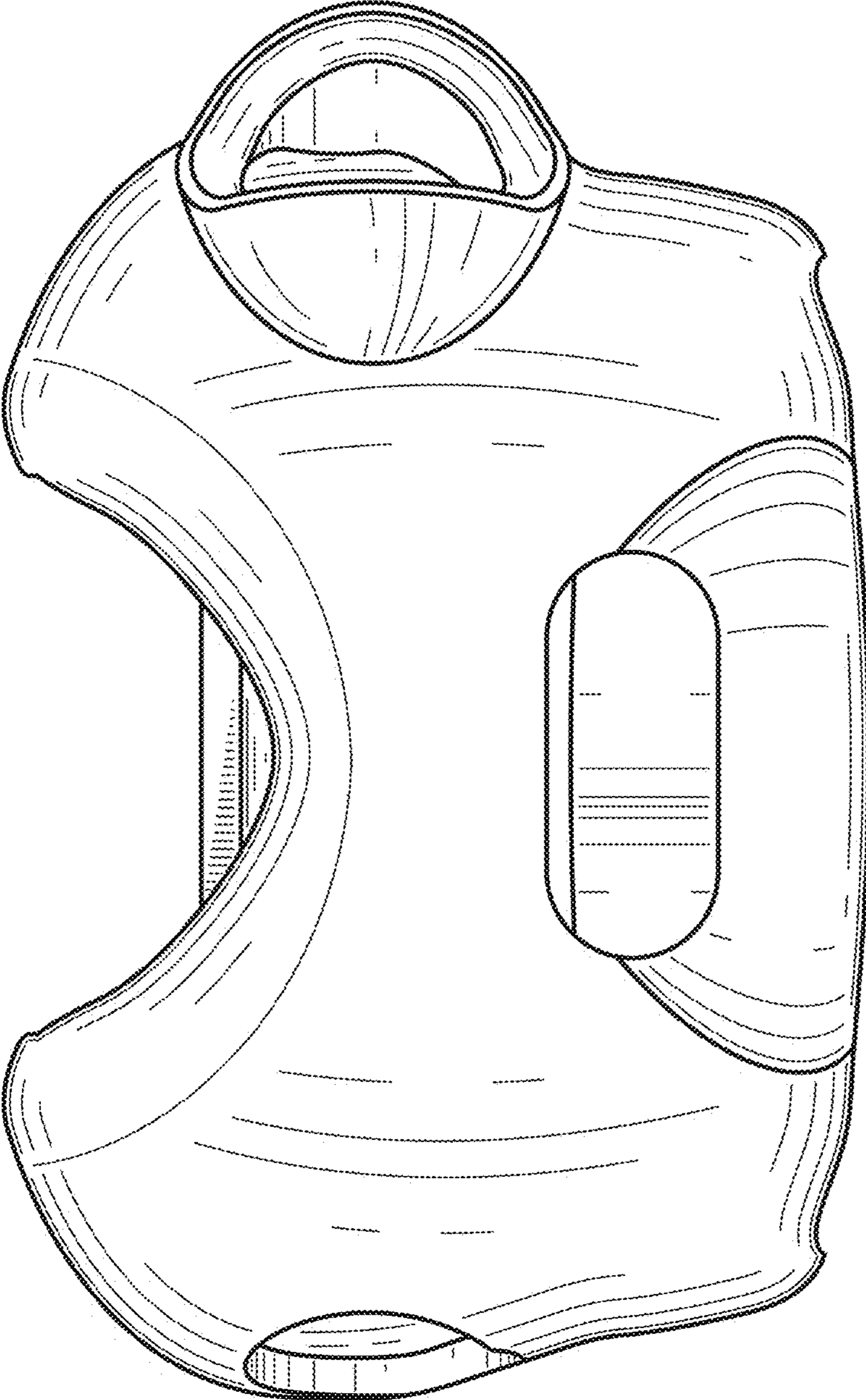


FIG. 5

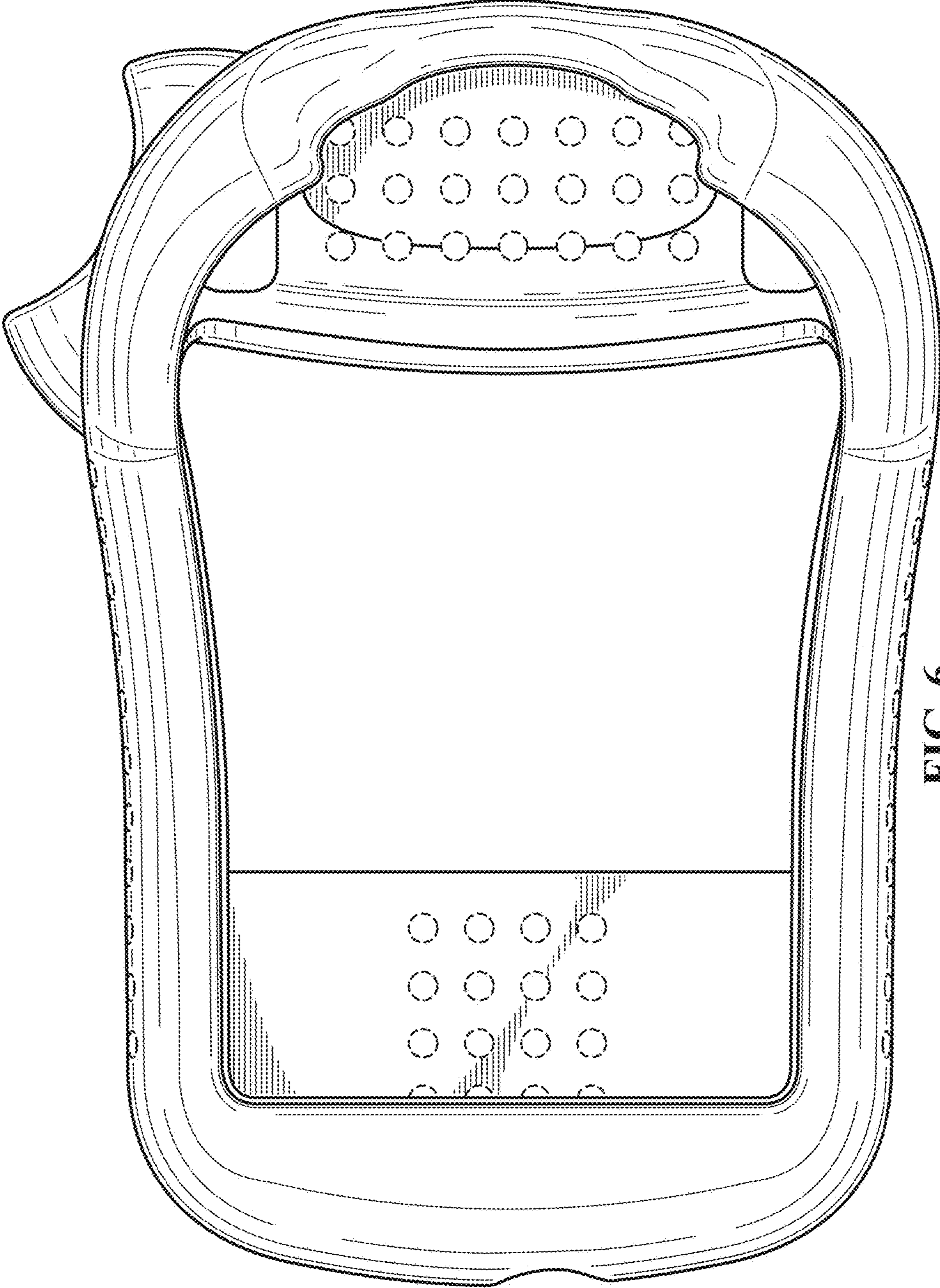


FIG. 6

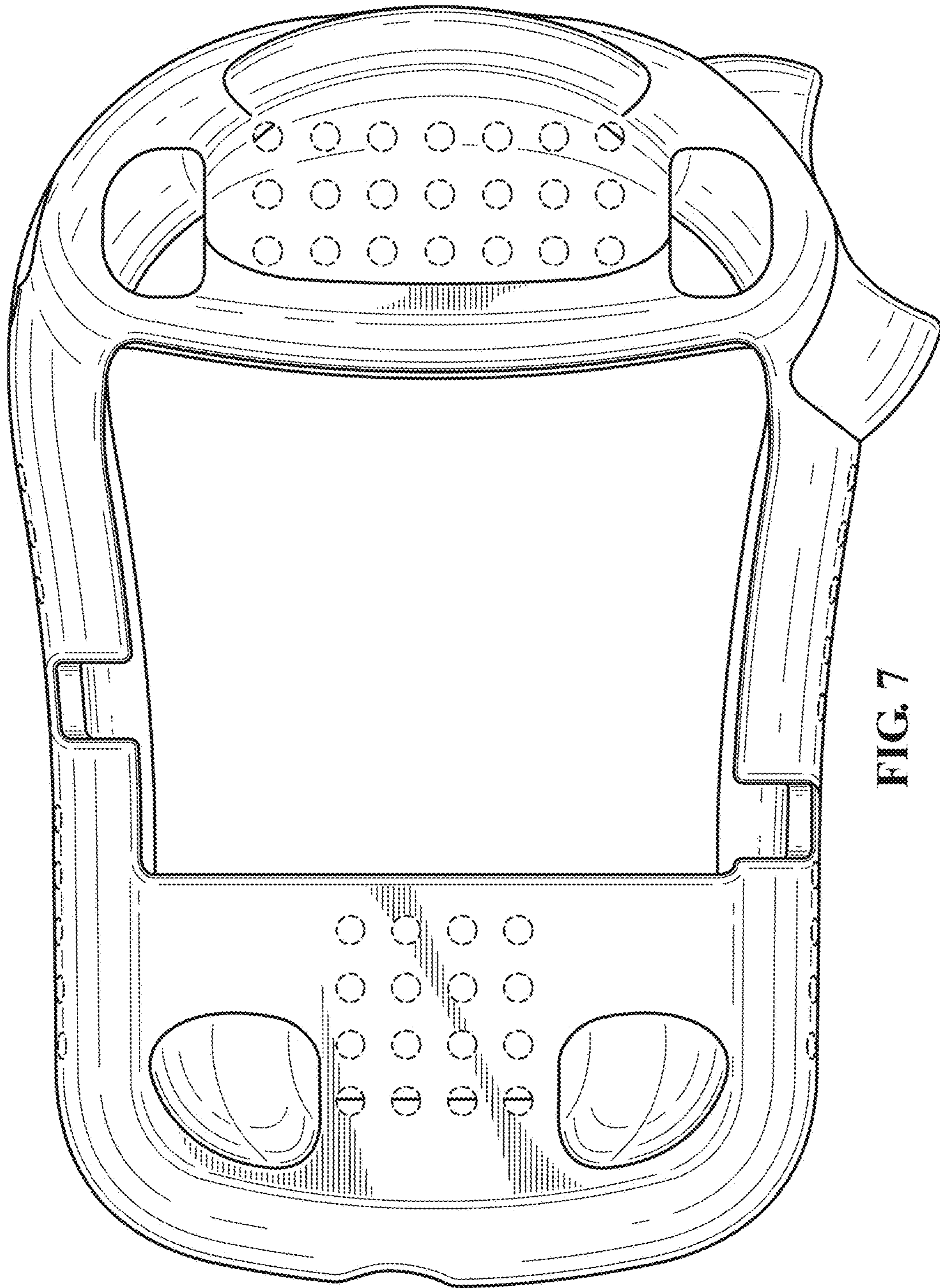


FIG. 7