



US00D832271S

(12) **United States Design Patent** (10) **Patent No.:** **US D832,271 S**
Cheng (45) **Date of Patent:** **** Oct. 30, 2018**

(54) **CASE WITH MAGNETIC KICKSTAND FOR ELECTRONIC DEVICE**

D712,412 S 9/2014 Bleau et al.
D715,052 S 10/2014 Fair
D719,169 S * 12/2014 McBroom D14/440

(Continued)

(71) Applicant: **Fintie LLC**, Hilliard, OH (US)

Primary Examiner — Cynthia R Underwood

(72) Inventor: **Nai Chu Cheng**, Hilliard, OH (US)

(74) *Attorney, Agent, or Firm* — Standley Law Group LLP

(**) Term: **15 Years**

(57) **CLAIM**

(21) Appl. No.: **29/621,596**

The ornamental design for a case with magnetic kickstand for electronic device, as shown and described.

(22) Filed: **Oct. 10, 2017**

DESCRIPTION

(51) **LOC (11) Cl.** **14-02**

(52) **U.S. Cl.**

USPC **D14/440**

(58) **Field of Classification Search**

USPC D14/440; 206/45.23, 320, 45.2;
361/679.55; 294/25; 224/218

CPC ... G06F 1/1628; G06F 1/1626; A47B 23/044;
H04B 1/3888; H05K 5/0217

See application file for complete search history.

FIG. 1 is a front perspective view of a case with magnetic kickstand for electronic device shown in the open position in a first configuration;

FIG. 2 is a front elevation view of the FIG. 1 device in the first configuration;

FIG. 3 is a rear elevation view of the FIG. 1 device in the first configuration;

FIG. 4 is a right-side elevation view of the FIG. 1 device in the first configuration;

FIG. 5 is a left-side elevation view of the FIG. 1 device in the first configuration;

FIG. 6 is a top plan view of the FIG. 1 device in the first configuration;

FIG. 7 is a bottom plan view of the FIG. 1 device in the first configuration;

FIG. 8 is a rear perspective view of the FIG. 1 device in the first configuration;

FIG. 9 is a front perspective view of the FIG. 1 device shown in the open position in a second configuration;

FIG. 10 is a right-side elevation view of the FIG. 1 device in the second configuration;

FIG. 11 is a front perspective view of the FIG. 1 device shown in the open position in a third configuration; and,

FIG. 12 is a right-side elevation view of the FIG. 1 device in the third configuration.

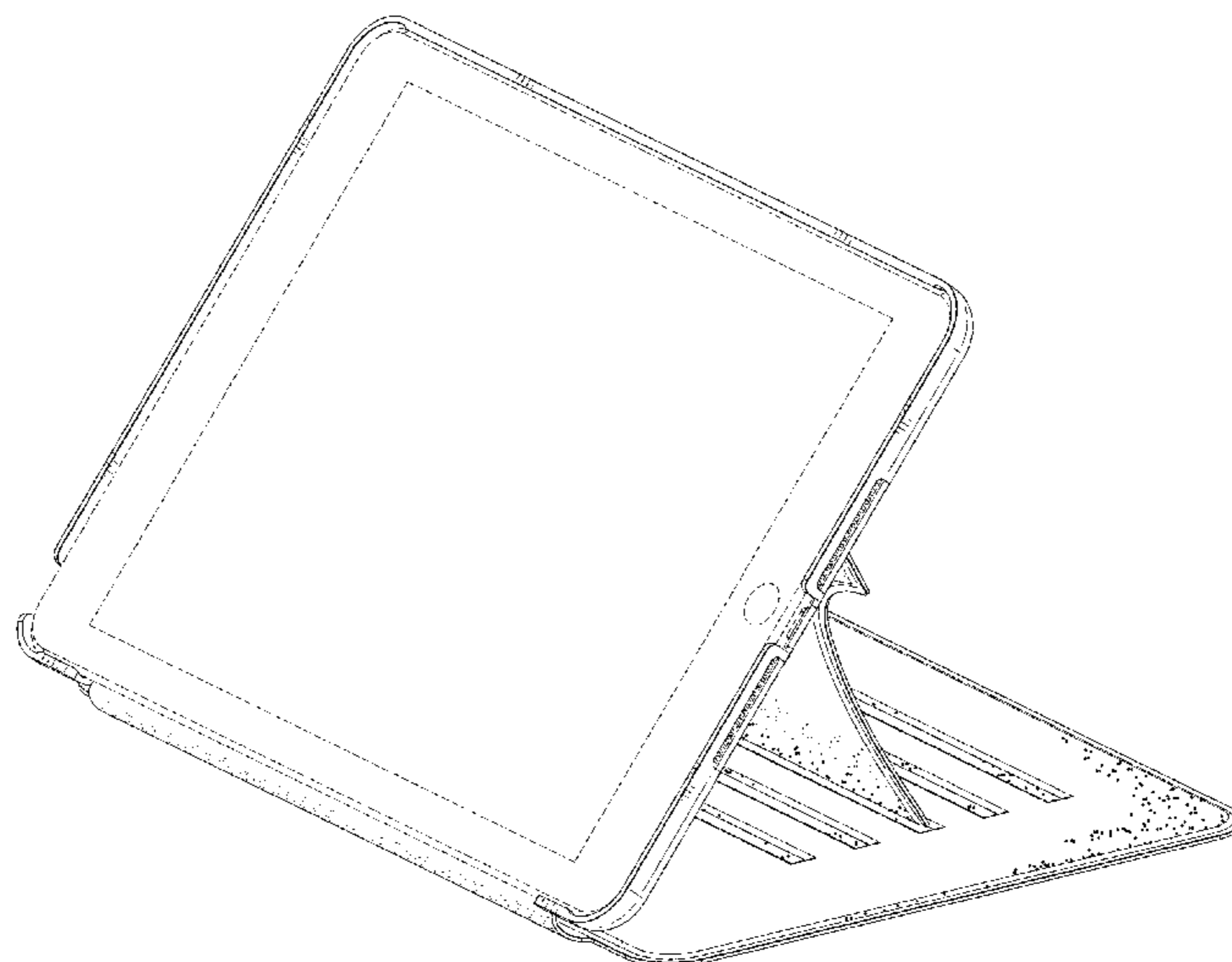
The broken lines represent environment that forms no part of the claim.

(56) **References Cited**

U.S. PATENT DOCUMENTS

D611,253 S	3/2010	Lown et al.	
D645,251 S	9/2011	Lee	
D667,831 S *	9/2012	Stravitz	D14/447
D668,661 S	10/2012	Norfolk	
D672,353 S	12/2012	Liu	
D676,448 S	2/2013	Gorman et al.	
D681,951 S	5/2013	Phillips et al.	
D689,056 S	9/2013	Li	
D690,704 S	10/2013	Padilla et al.	
D691,144 S	10/2013	Peters et al.	
D694,246 S	11/2013	Park et al.	
D696,256 S *	12/2013	Piedra	D14/440
D696,669 S *	12/2013	Akana	D14/440
D696,864 S	1/2014	Phillips et al.	
D700,611 S *	3/2014	Boldetti	D14/440
D703,672 S	4/2014	Kim et al.	
D709,509 S	7/2014	Kim	

1 Claim, 12 Drawing Sheets



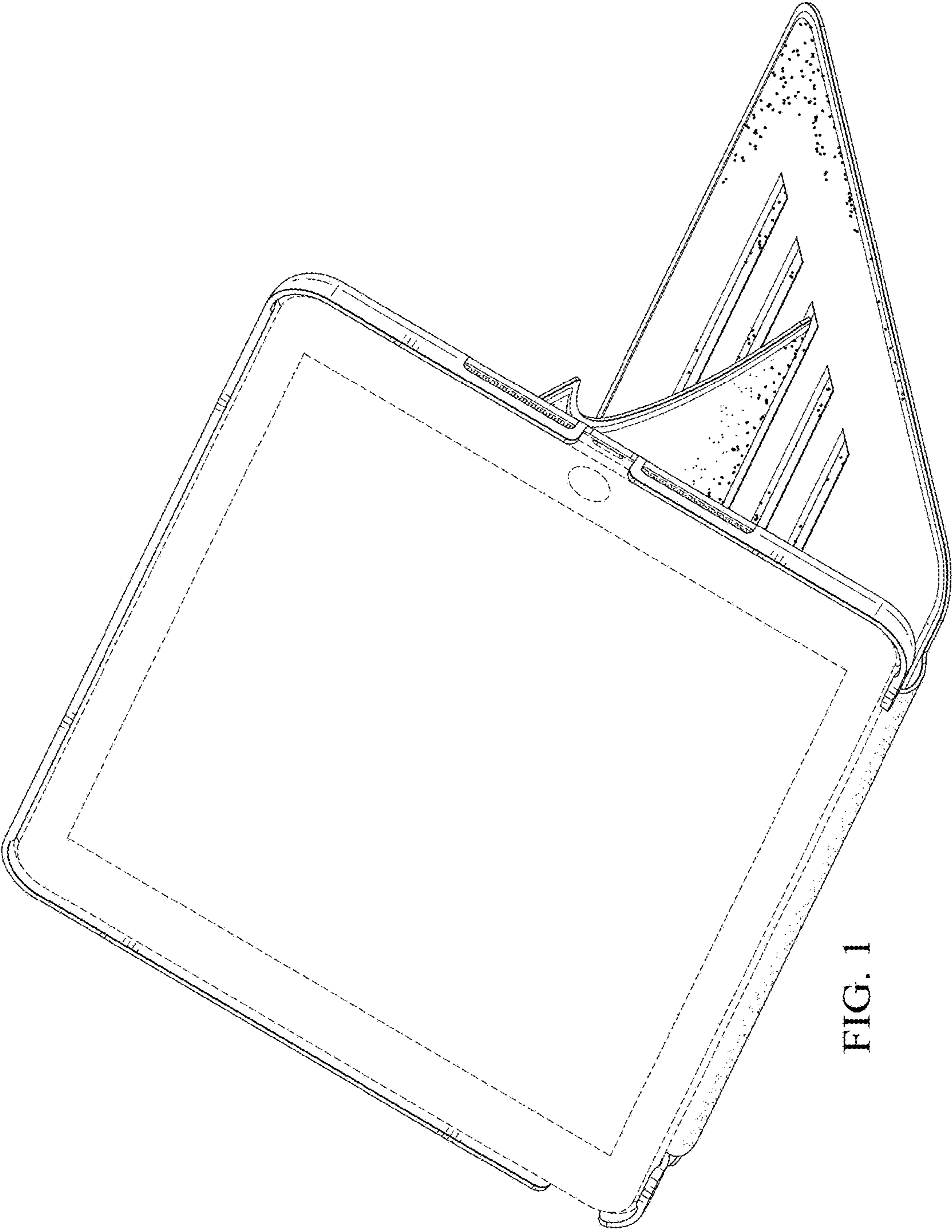


FIG. 1

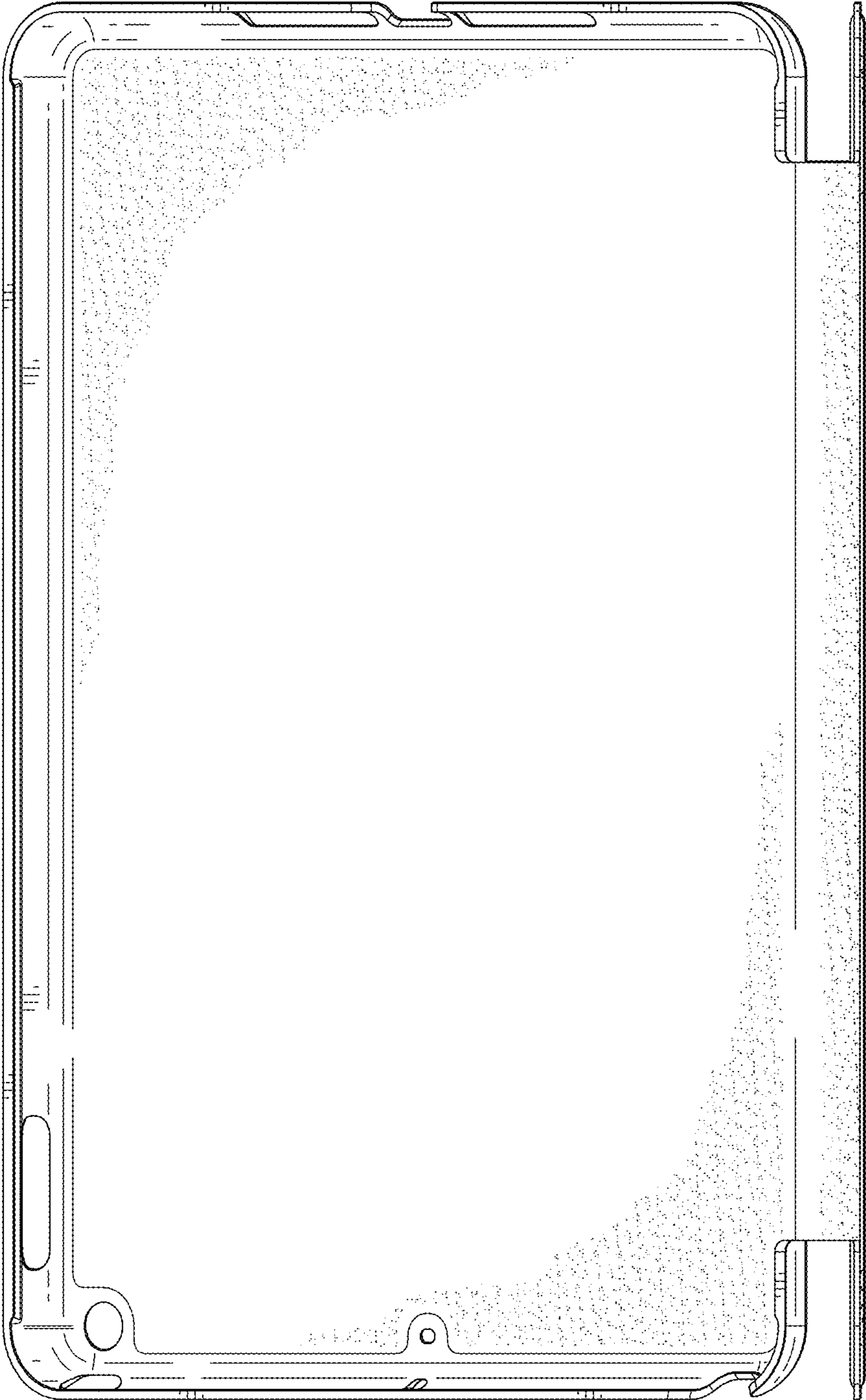


FIG. 2

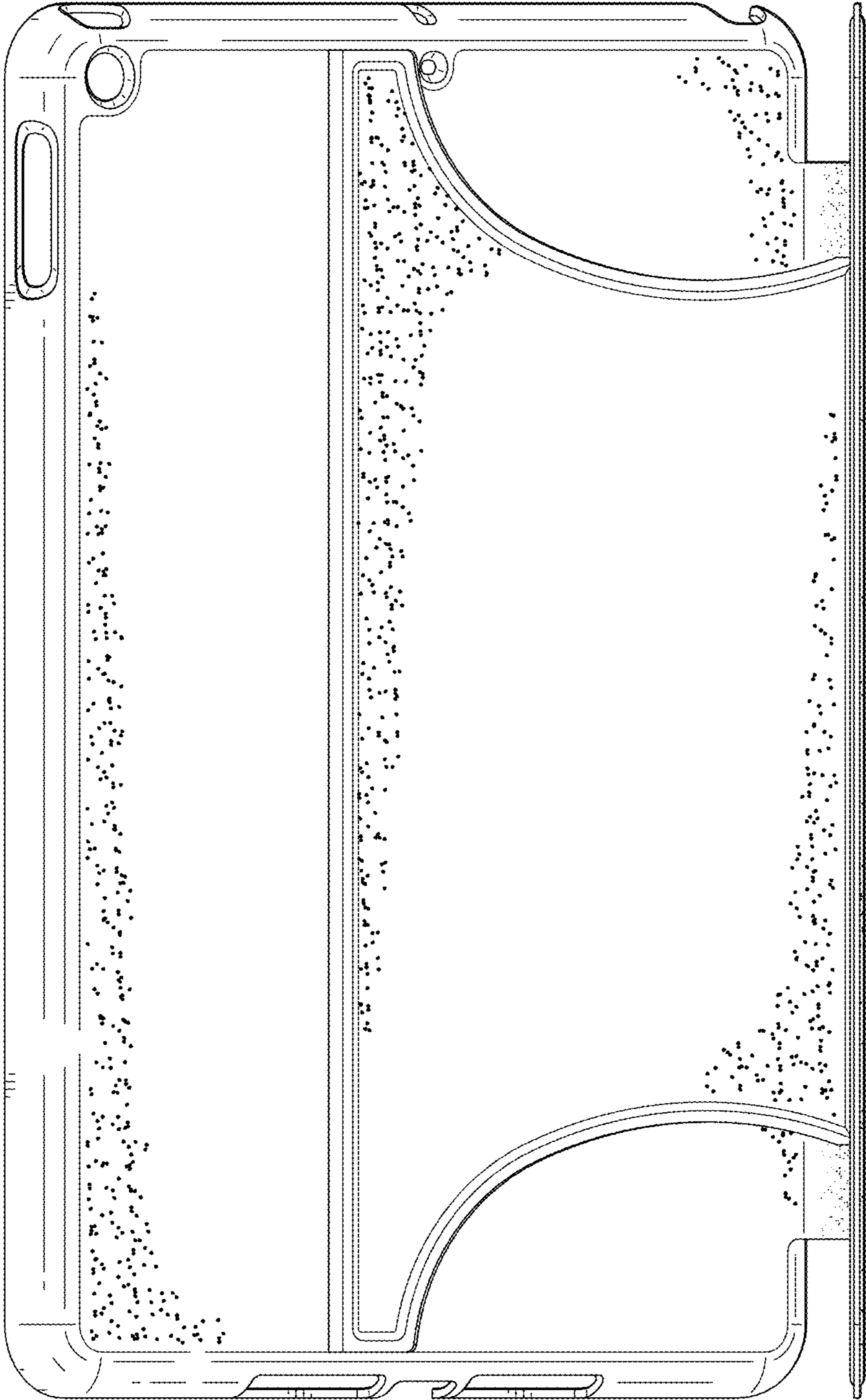


FIG. 3

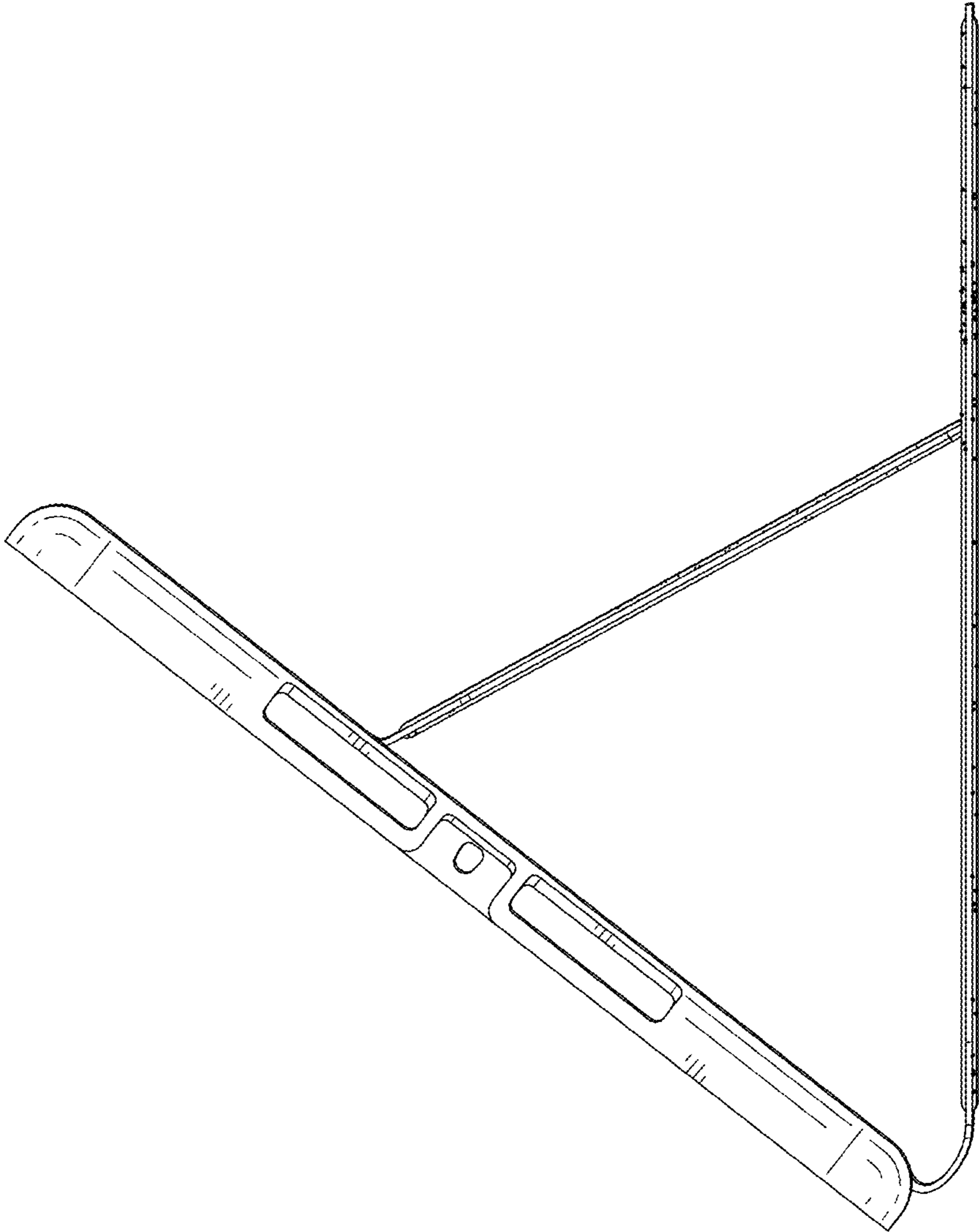


FIG. 4

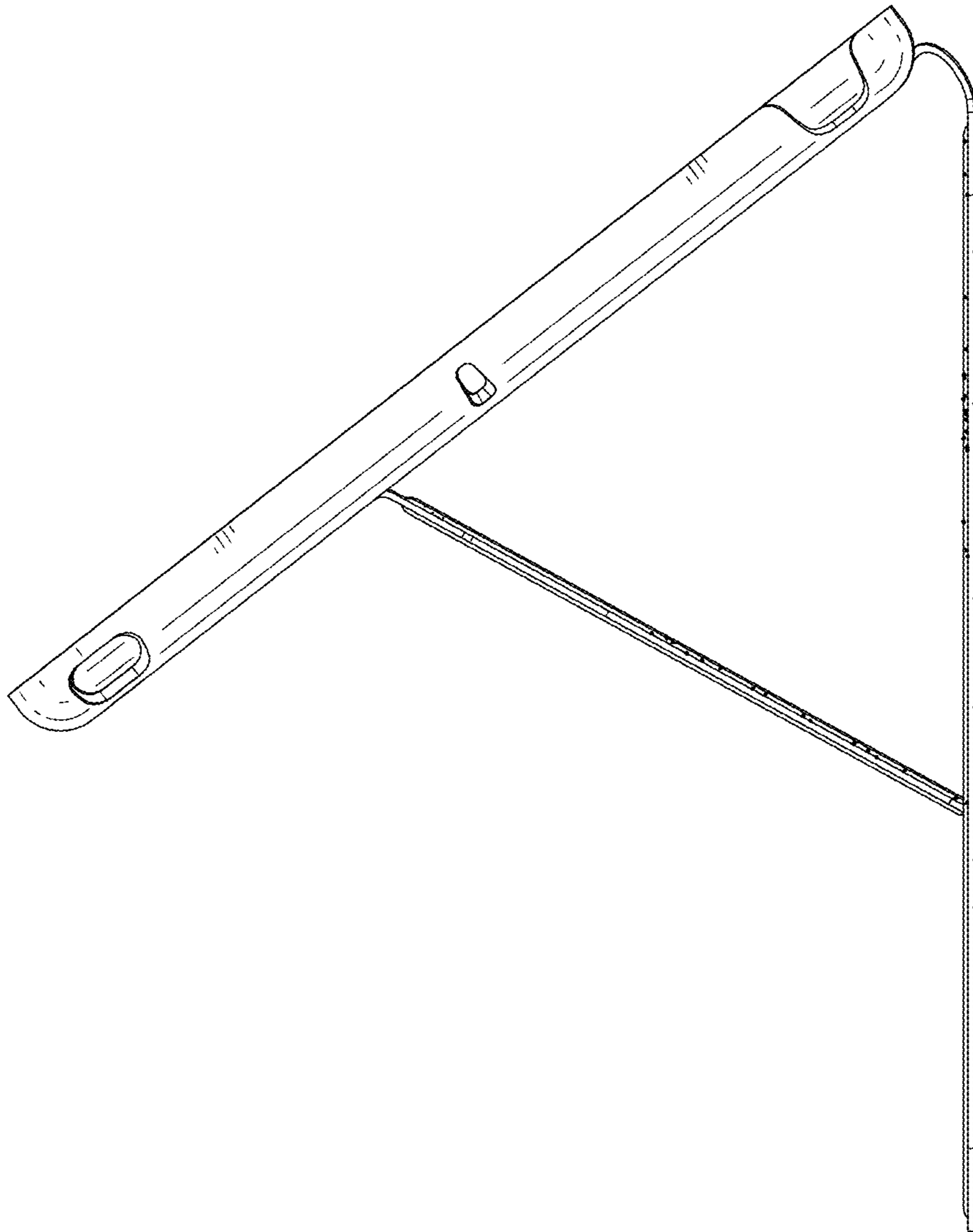


FIG. 5

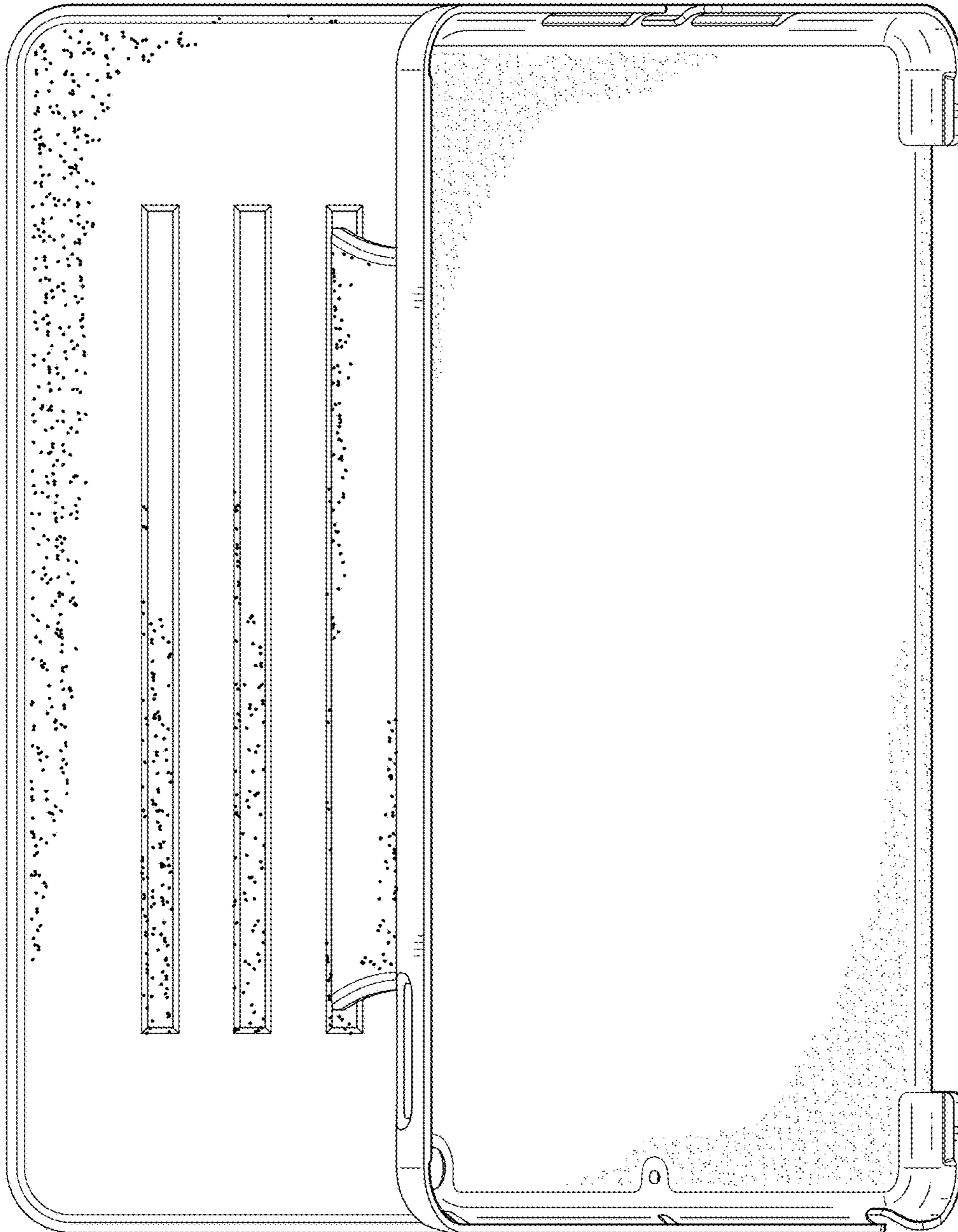


FIG. 6

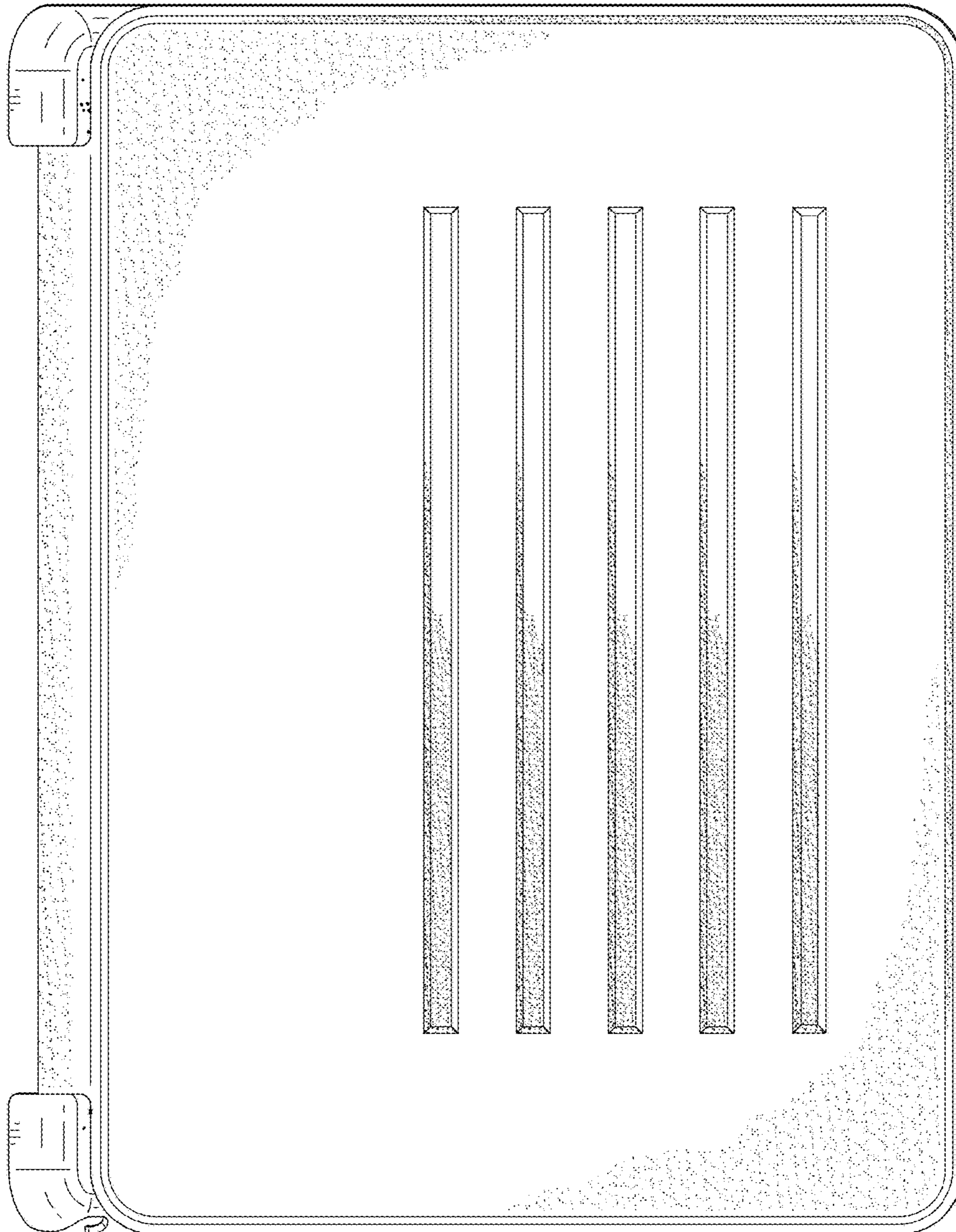


FIG. 7

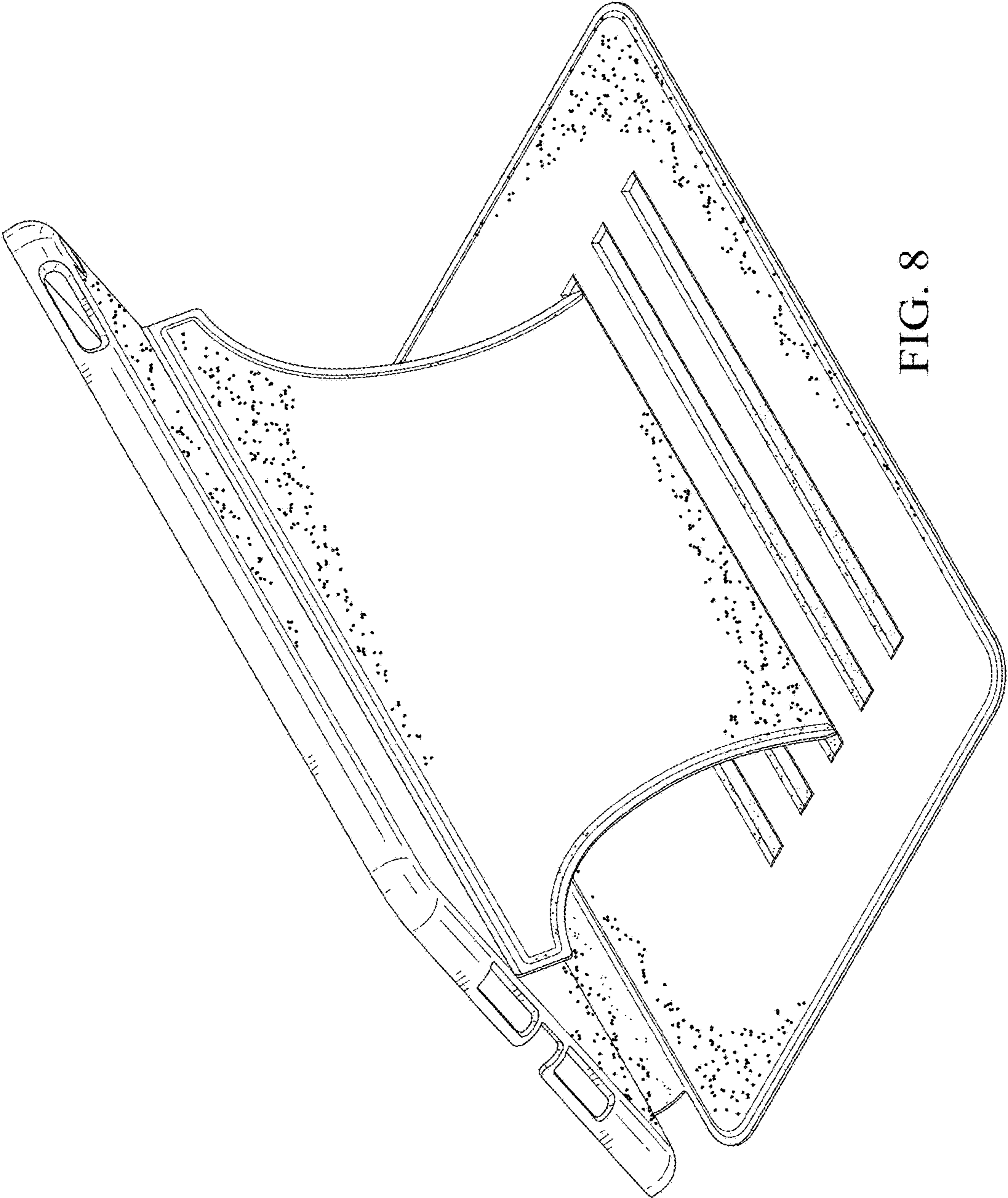


FIG. 8

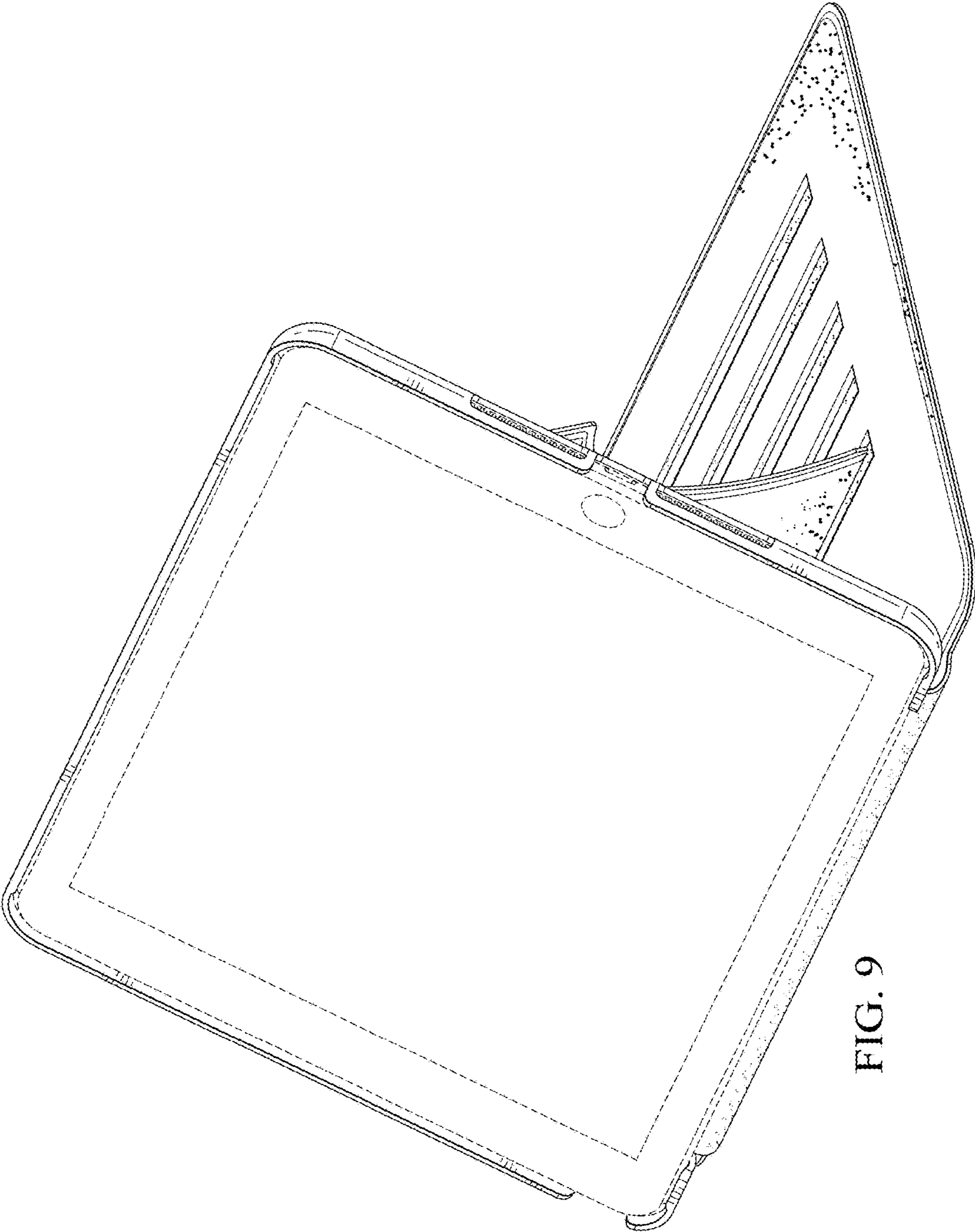


FIG. 9

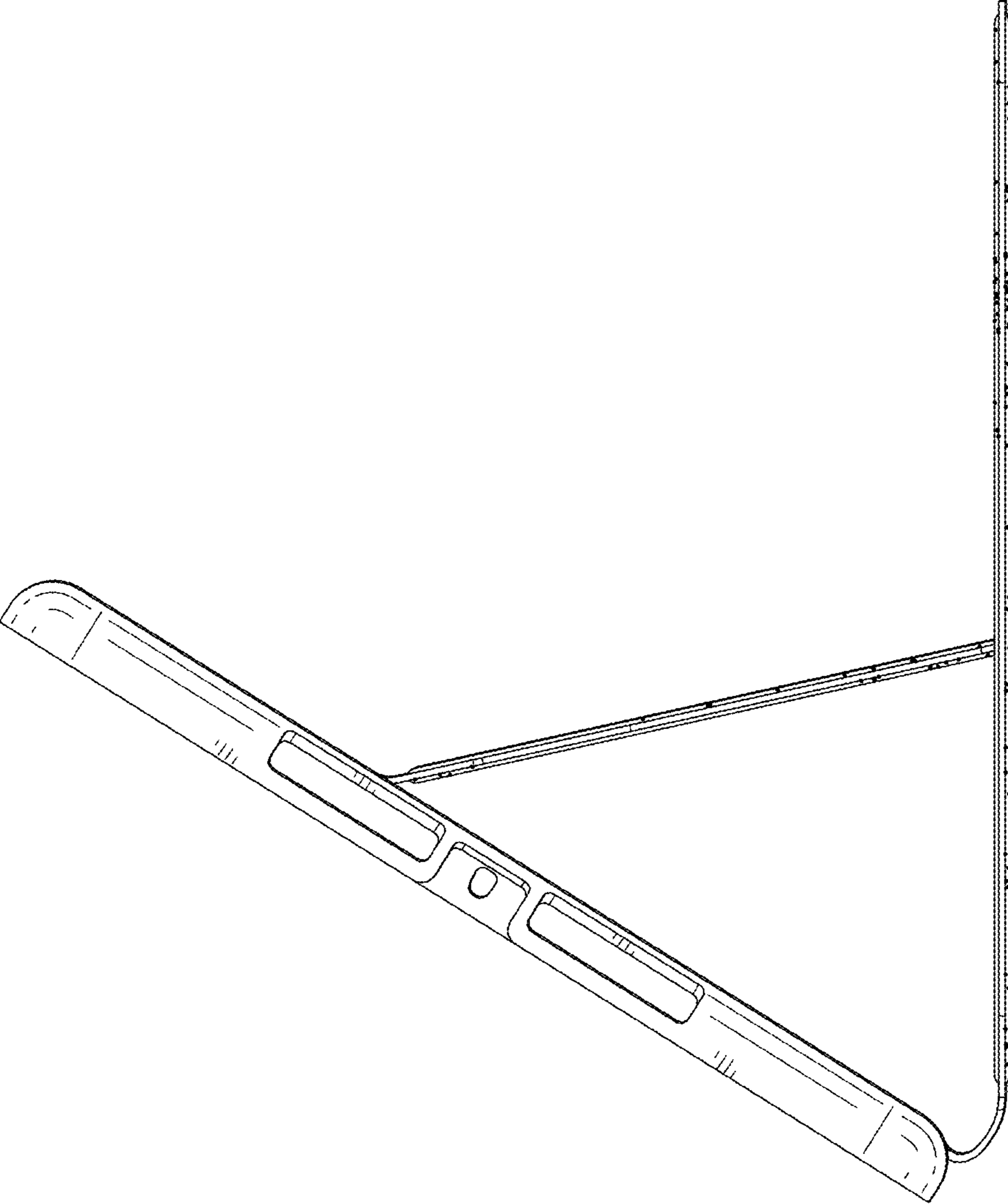


FIG. 10

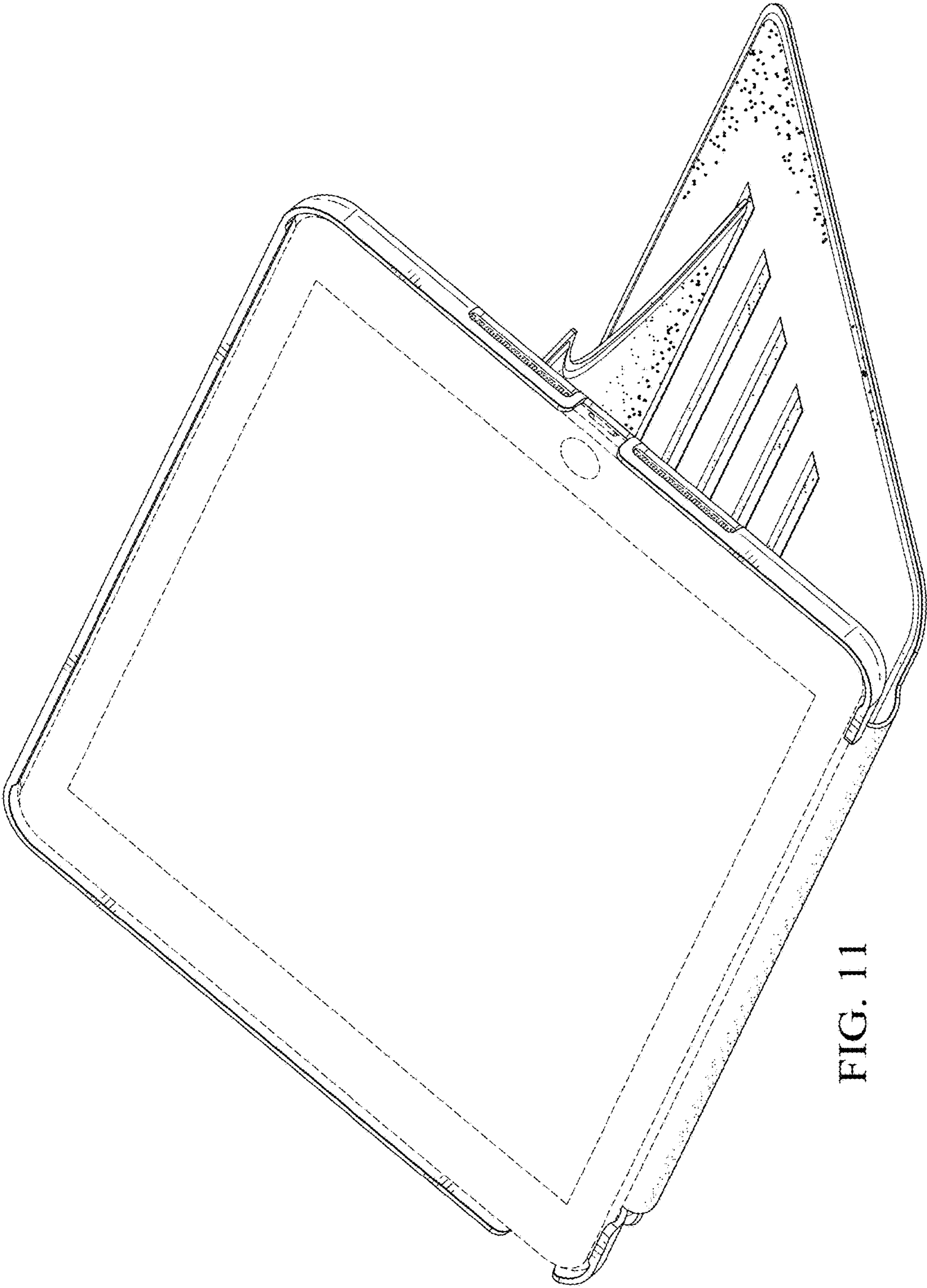


FIG. 11

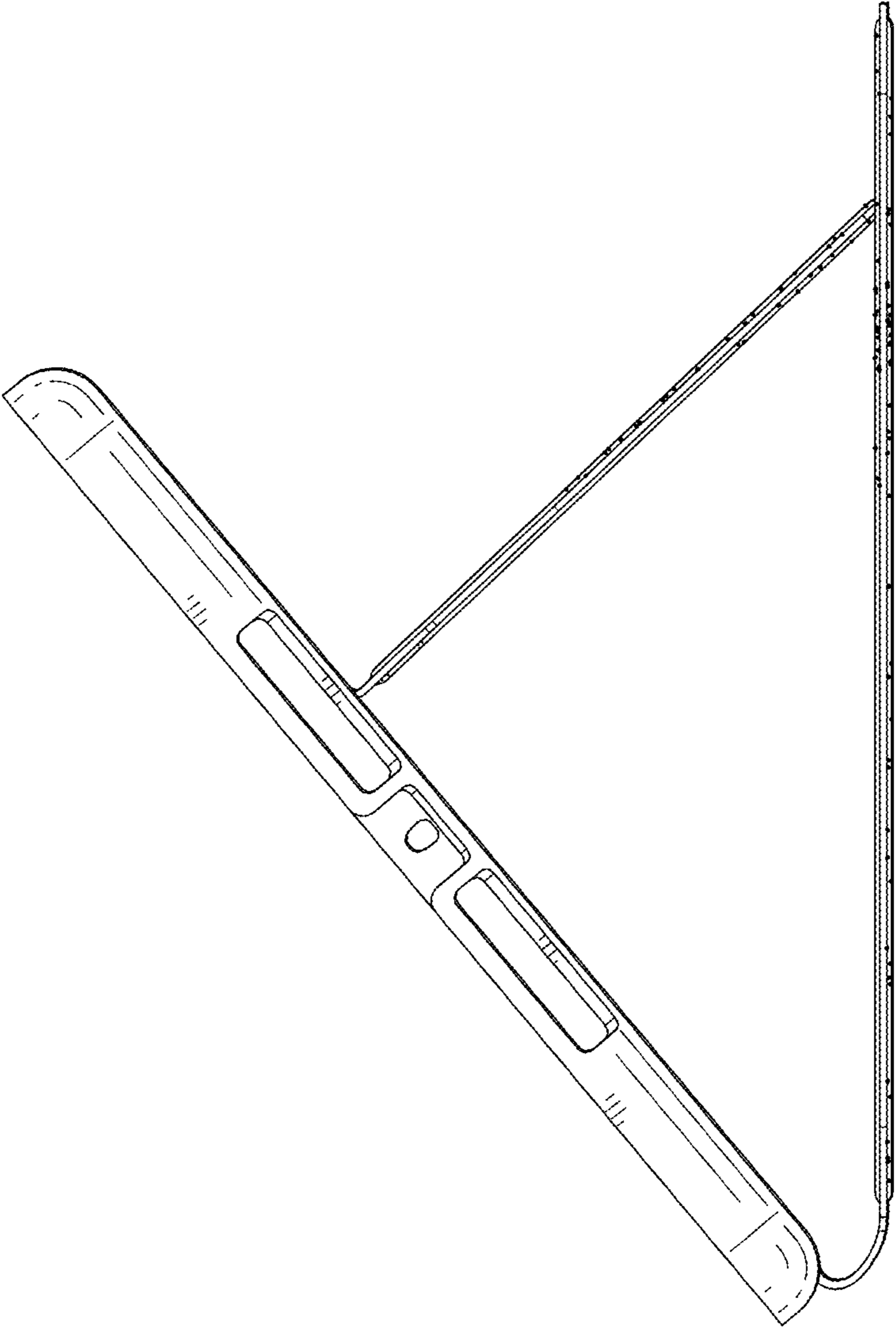


FIG. 12