



US00D832270S

(12) **United States Design Patent**
Cheng

(10) **Patent No.:** **US D832,270 S**

(45) **Date of Patent:** **** Oct. 30, 2018**

(54) **CASE WITH POCKET FOR ELECTRONIC DEVICE**

D712,412 S 9/2014 Bleau et al.
D715,052 S 10/2014 Fair
D719,169 S * 12/2014 McBroom D14/440

(Continued)

(71) Applicant: **Fintie LLC**, Hilliard, OH (US)

Primary Examiner — Cynthia R Underwood

(72) Inventor: **Nai Chu Cheng**, Hilliard, OH (US)

(74) *Attorney, Agent, or Firm* — Standley Law Group LLP

(**) Term: **15 Years**

(57) **CLAIM**

(21) Appl. No.: **29/621,593**

The ornamental design for a case with pocket for electronic device, as shown and described.

(22) Filed: **Oct. 10, 2017**

DESCRIPTION

(51) **LOC (11) Cl.** **14-02**

(52) **U.S. Cl.**

USPC **D14/440**

(58) **Field of Classification Search**

USPC D14/440; 206/45.23, 320, 45.2;
361/679.55; 294/25; 224/218

CPC ... G06F 1/1628; G06F 1/1626; A47B 23/044;
H04B 1/3888; H05K 5/0217

See application file for complete search history.

FIG. 1 is a front perspective view of a case with pocket for electronic device shown in the open position in a first configuration;

FIG. 2 is a front elevation view of the FIG. 1 device in the first configuration;

FIG. 3 is a rear elevation view of the FIG. 1 device in the first configuration;

FIG. 4 is a right-side elevation view of the FIG. 1 device in the first configuration;

FIG. 5 is a left-side elevation view of the FIG. 1 device in the first configuration;

FIG. 6 is a top plan view of the FIG. 1 device in the first configuration;

FIG. 7 is a bottom plan view of the FIG. 1 device in the first configuration;

FIG. 8 is a rear perspective view of the FIG. 1 device in the first configuration;

FIG. 9 is a front perspective view of the FIG. 1 device shown in the open position in a second configuration;

FIG. 10 is a right-side elevation view of the FIG. 1 device in the second configuration;

FIG. 11 is a front perspective view of the FIG. 1 device shown in the open position in a third configuration; and,

FIG. 12 is a right-side elevation view of the FIG. 1 device in the third configuration.

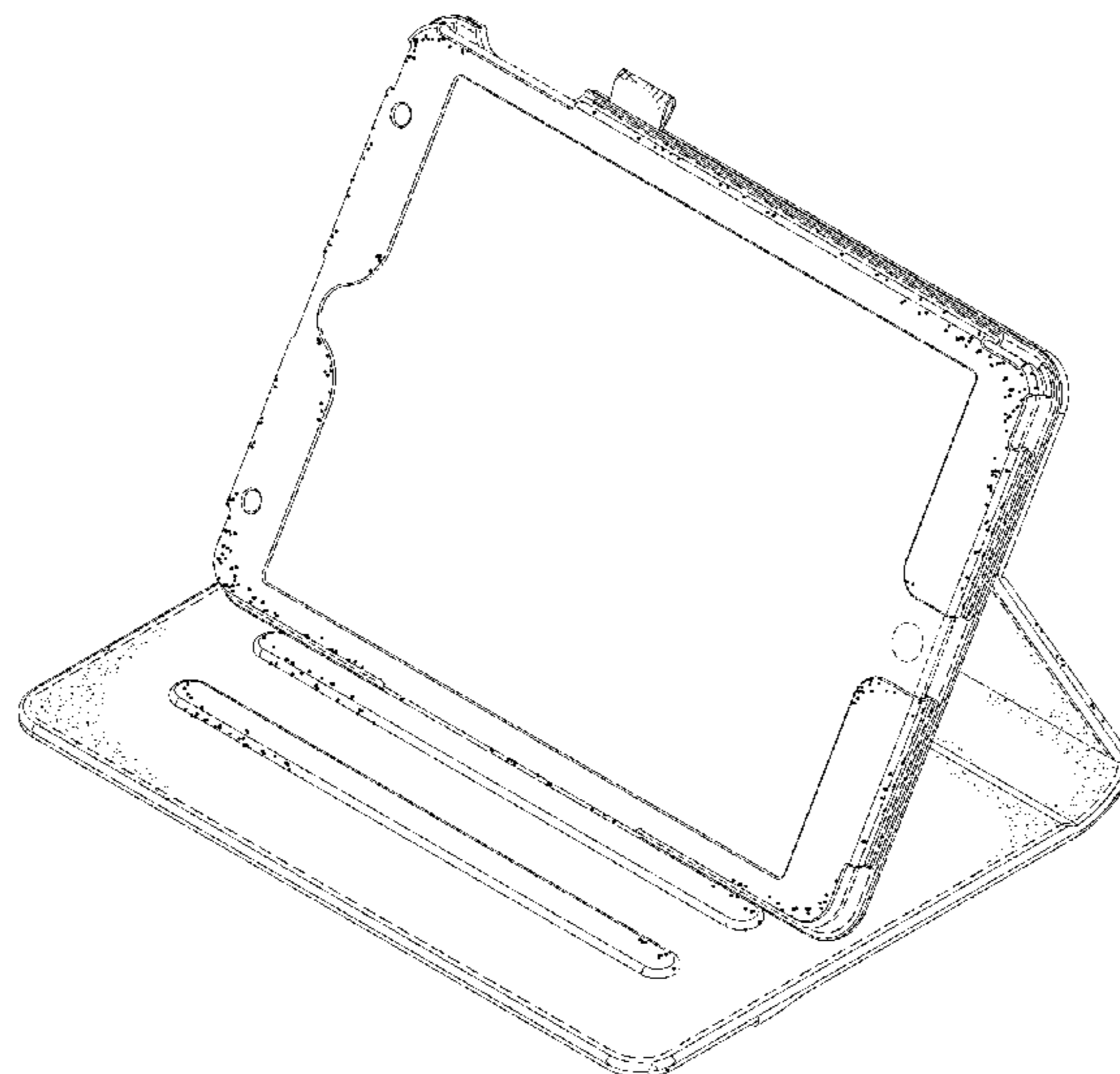
The broken lines represent environment that forms no part of the claim.

(56) **References Cited**

U.S. PATENT DOCUMENTS

D611,253 S	3/2010	Lown et al.	
D645,251 S	9/2011	Lee	
D667,831 S *	9/2012	Stravitz	D14/447
D668,661 S	10/2012	Norfolk	
D672,353 S	12/2012	Liu	
D676,448 S	2/2013	Gorman et al.	
D681,951 S	5/2013	Phillips et al.	
D689,056 S	9/2013	Li	
D690,704 S	10/2013	Padilla et al.	
D691,144 S	10/2013	Peters et al.	
D694,246 S	11/2013	Park et al.	
D696,256 S *	12/2013	Piedra	D14/440
D696,669 S *	12/2013	Akana	D14/440
D696,864 S	1/2014	Phillips et al.	
D700,611 S *	3/2014	Boldetti	D14/440
D703,672 S	4/2014	Kim et al.	
D709,509 S	7/2014	Kim	

1 Claim, 12 Drawing Sheets



(56)

References Cited

U.S. PATENT DOCUMENTS

8,905,231	B2 *	12/2014	Couch, III	A45C 11/00	206/320
8,960,421	B1 *	2/2015	Diebel	G06F 1/1679	206/320
D723,568	S *	3/2015	Kim	D14/440	
D724,090	S *	3/2015	Kim	D14/440	
D727,916	S *	4/2015	Melmon	D14/440	
D727,917	S	4/2015	Yeo			
D727,919	S *	4/2015	Melmon	D14/440	
D729,252	S	5/2015	Smith et al.			
D729,253	S *	5/2015	Nyholm	D14/440	
D733,152	S *	6/2015	Sirichai	D14/440	
D734,340	S *	7/2015	Kim	D14/440	
9,095,194	B2 *	8/2015	Hassett	A45C 11/00	
D743,170	S	11/2015	Akana et al.			
D744,489	S *	12/2015	Sirichai	D14/440	
D744,492	S *	12/2015	Lin	G06F 1/1632	D14/440
D752,052	S	3/2016	Park			
D753,648	S *	4/2016	Shyu	D14/315	
9,307,062	B2 *	4/2016	Kim	H04M 1/04	
D764,472	S *	8/2016	Corcoran	D14/440	
D772,880	S *	11/2016	Corcoran	D14/440	
9,489,054	B1 *	11/2016	Sumsion	G06F 3/0208	
D773,470	S *	12/2016	Akana	D14/440	
D779,485	S *	2/2017	Akana	D14/345	
9,578,941	B2 *	2/2017	MacLachlan	F16M 11/38	
D784,350	S	4/2017	Li			
D789,342	S *	6/2017	Sirichai	D14/250	
D792,887	S *	7/2017	Zhang	D14/440	
9,717,314	B2 *	8/2017	Idehara	A45C 11/00	
D807,363	S *	1/2018	Hallier	D14/440	
D807,365	S *	1/2018	Liu	D14/440	
D807,892	S *	1/2018	Wang	D14/440	
D808,394	S *	1/2018	Lakraa	D14/440	
D808,395	S *	1/2018	Fenton	D14/440	
D811,390	S *	2/2018	Kim	D14/345	
D811,411	S *	2/2018	Moore	D14/440	
D819,038	S *	5/2018	Diebel	D14/440	
D820,839	S *	6/2018	Akana	D14/345	
D822,675	S *	7/2018	Zhu	D14/455	
2007/0057140	A1 *	3/2007	Liou	F16M 11/10	248/456
2008/0029412	A1 *	2/2008	Ho	A47B 21/0314	206/320
2008/0167095	A1 *	7/2008	Kim	H04M 1/0216	455/575.3
2009/0159763	A1 *	6/2009	Kim	F16M 13/00	248/174
2009/0178938	A1 *	7/2009	Palmer	A45C 5/03	206/45.23
2009/0194209	A1 *	8/2009	De Filippis	A45C 11/00	150/107
2009/0201254	A1 *	8/2009	Rais	G06F 1/1613	345/168
2010/0230301	A1	9/2010	Fellig			
2010/0294909	A1 *	11/2010	Hauser	A47B 23/043	248/456
2010/0300909	A1 *	12/2010	Hung	H04M 1/04	206/320
2011/0227463	A1 *	9/2011	Hou	A45C 9/00	312/223.1
2011/0266194	A1 *	11/2011	Bau	A45C 11/00	206/736
2011/0290687	A1 *	12/2011	Han	A45C 3/02	206/320
2011/0297566	A1 *	12/2011	Gallagher	F16M 11/105	206/320
2012/0140396	A1 *	6/2012	Zeliff	G06F 1/1628	361/679.09
2012/0194448	A1	8/2012	Rothkopf			
2013/0140194	A1 *	6/2013	Han	G06F 1/1656	206/45.23
2013/0233762	A1 *	9/2013	Balaji	B65D 25/00	206/736
2013/0264459	A1 *	10/2013	McCosh	G06F 1/1626	248/688
2014/0291175	A1 *	10/2014	Chung	G06F 1/1656	206/45.23
2015/0296060	A1 *	10/2015	Gu	H04M 1/0235	455/575.4
2015/0296068	A1 *	10/2015	Chin	G06F 1/1628	455/575.8
2016/0011628	A1 *	1/2016	Sato	G06F 1/1656	361/679.3
2016/0187937	A1 *	6/2016	Ahee	G06F 1/1681	361/679.09

* cited by examiner

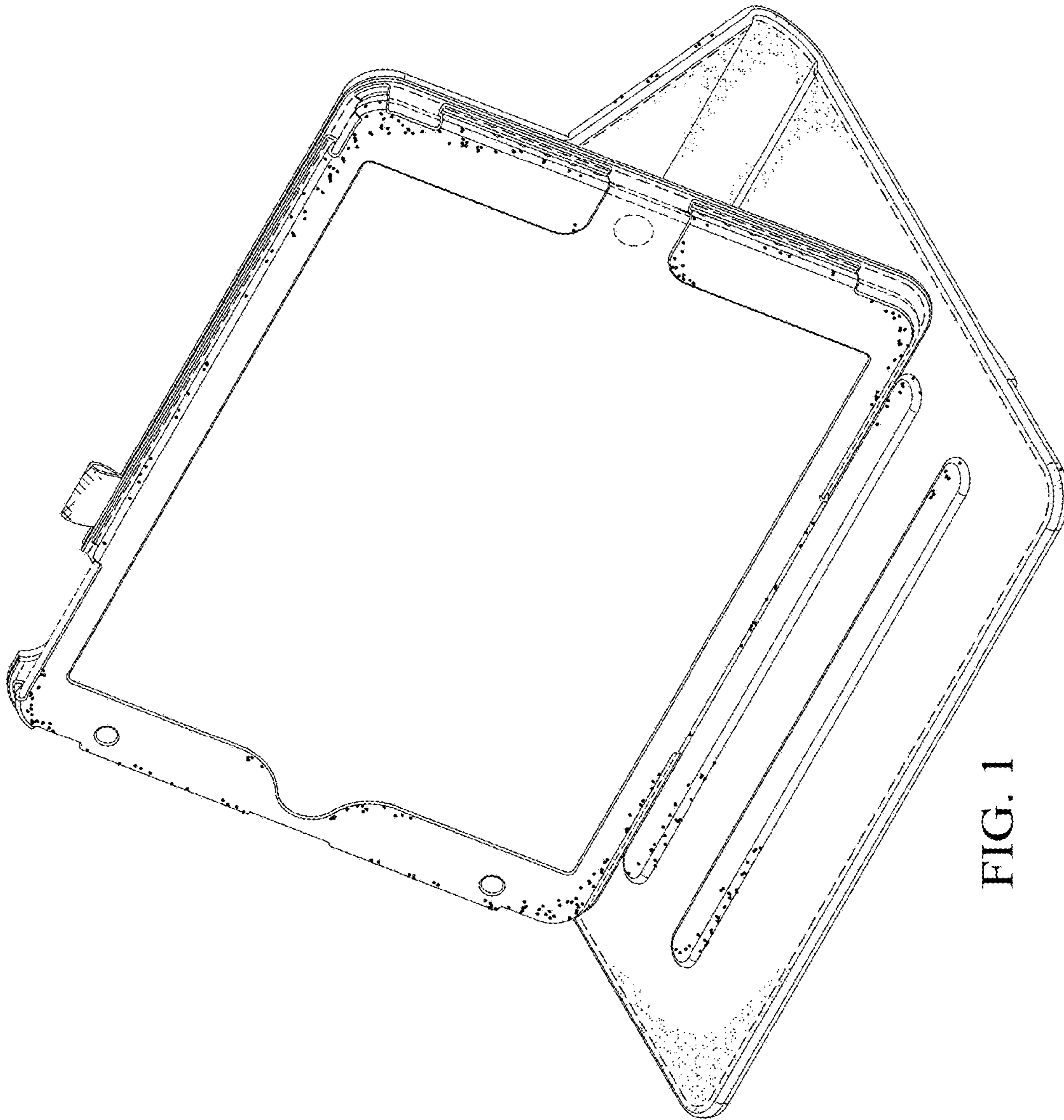


FIG. 1

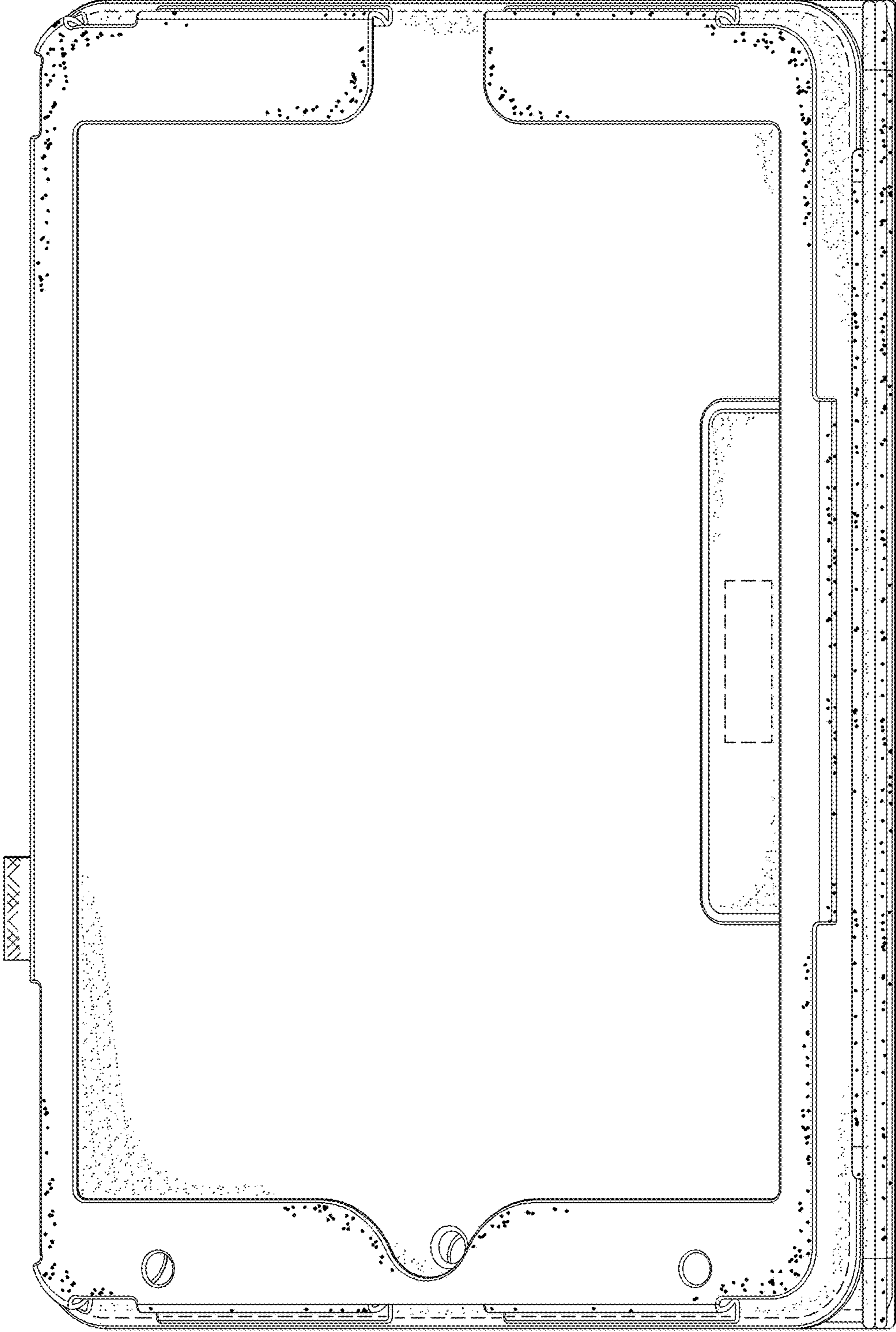


FIG. 2

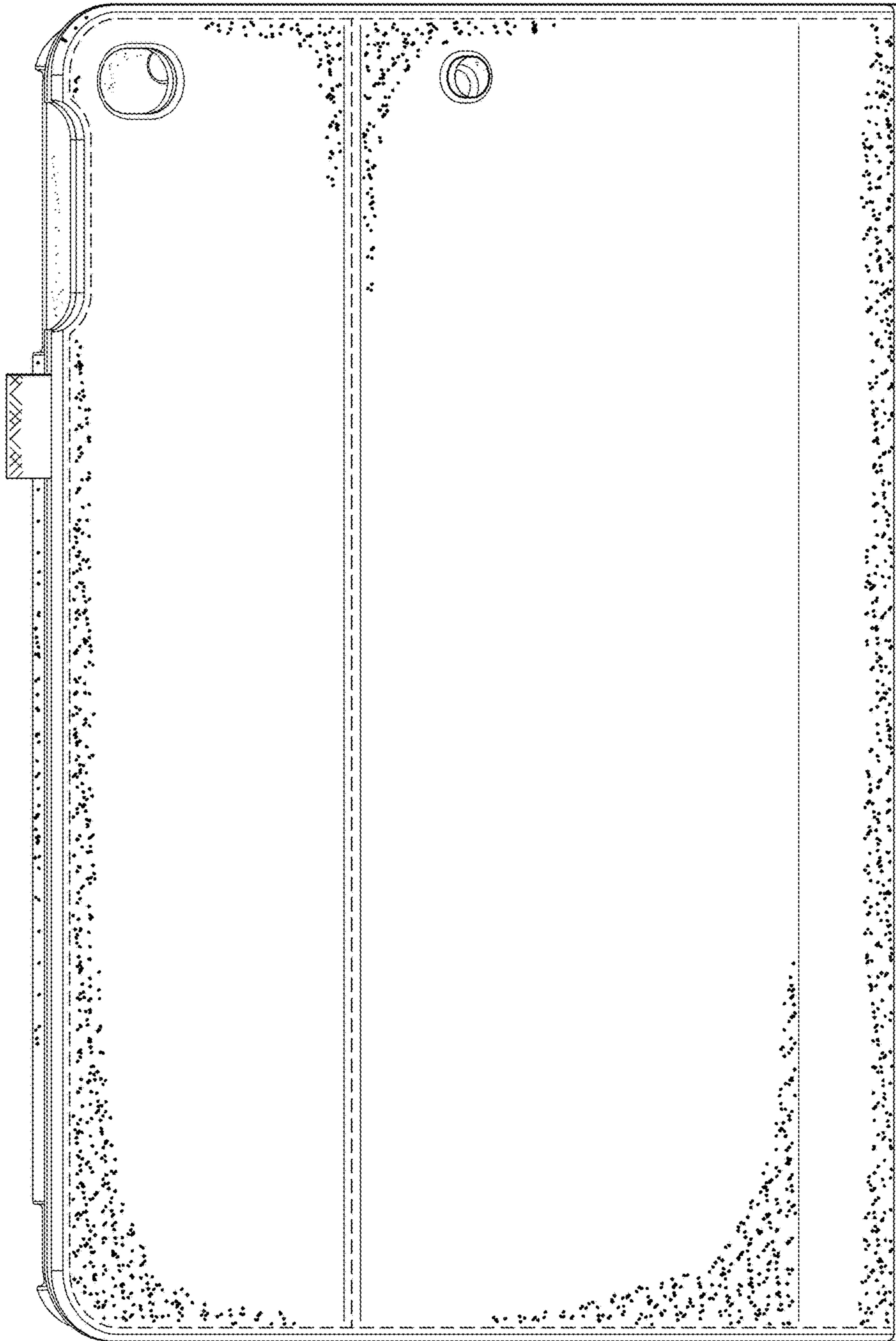


FIG. 3

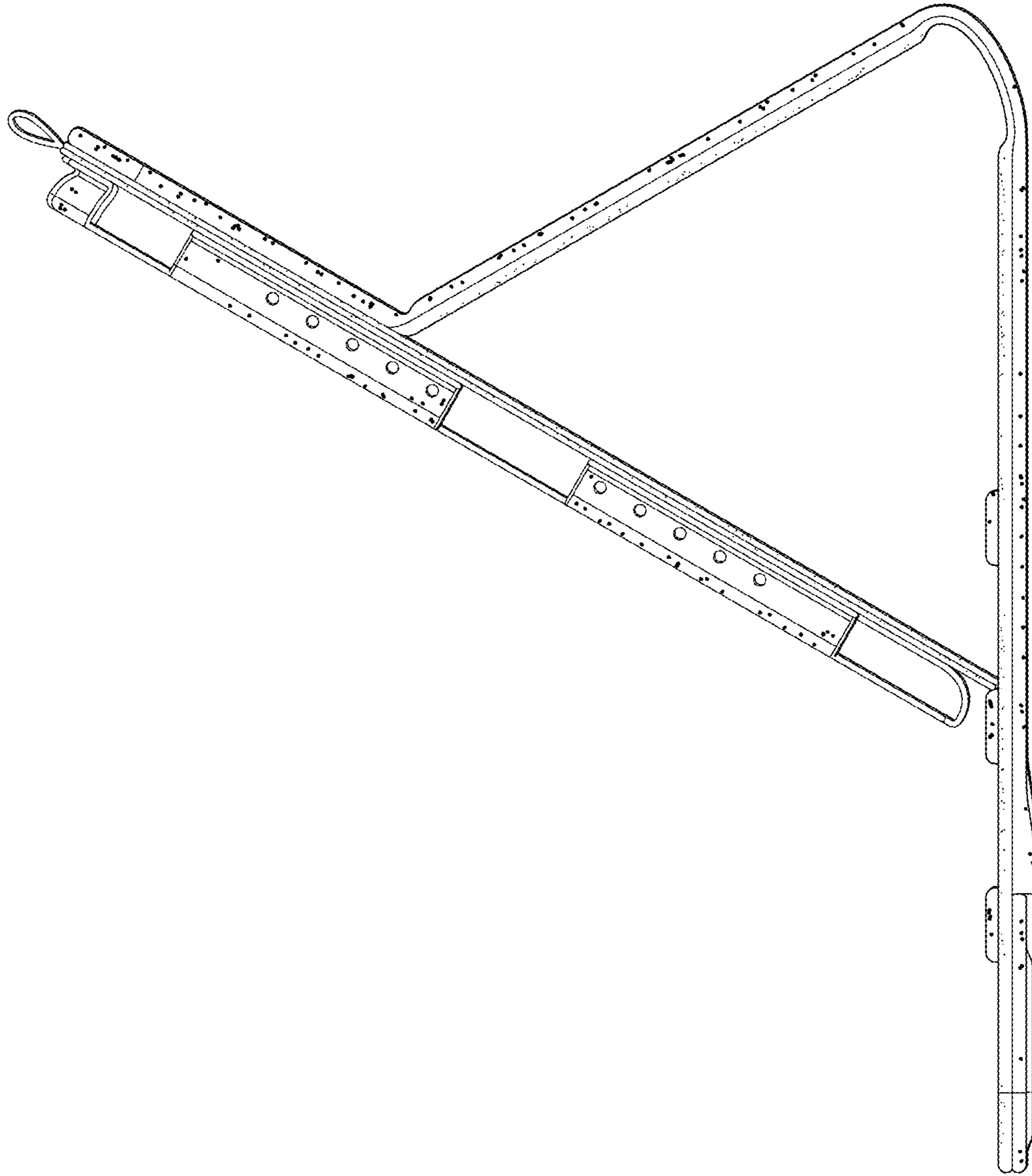


FIG. 4

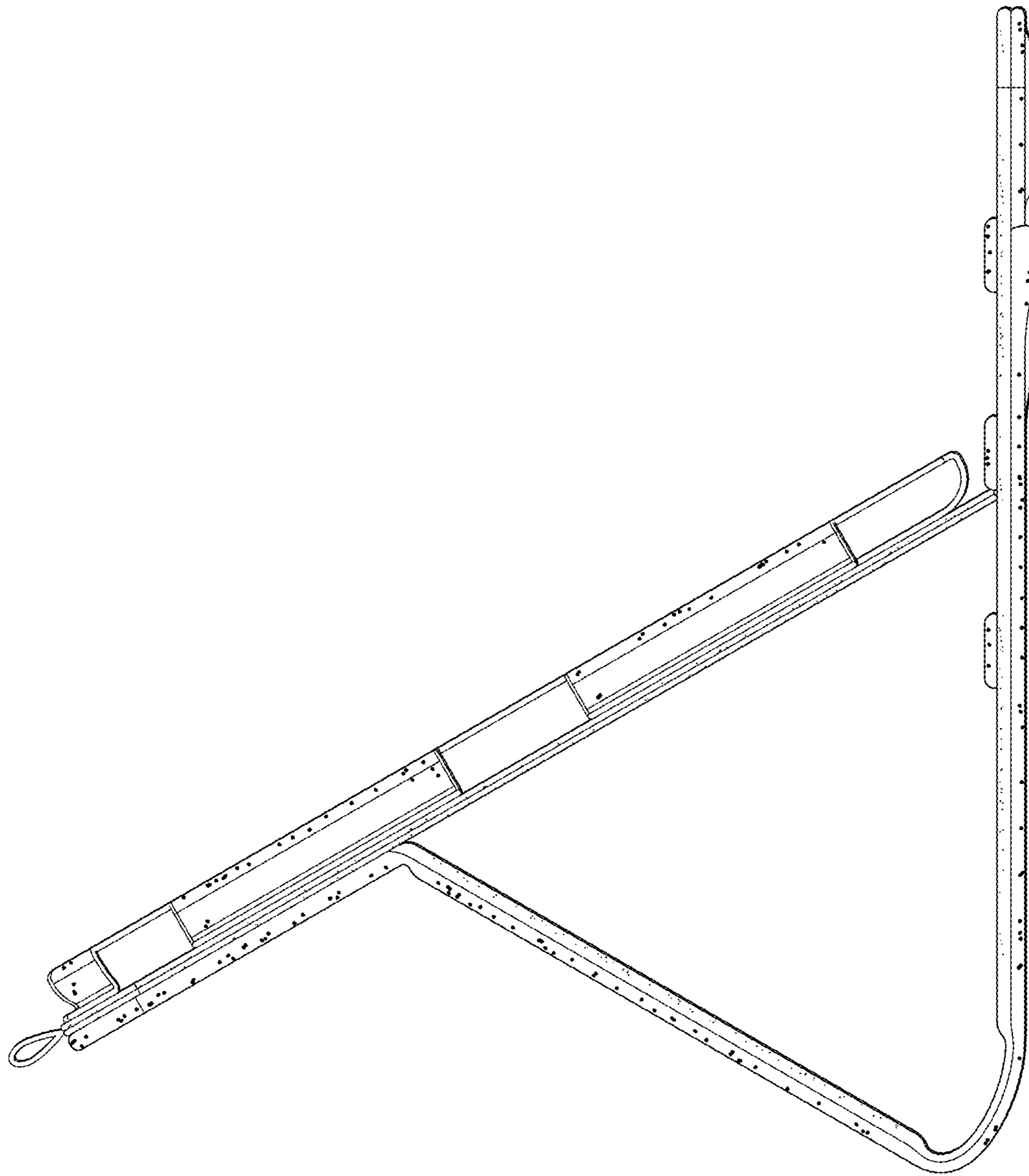


FIG. 5

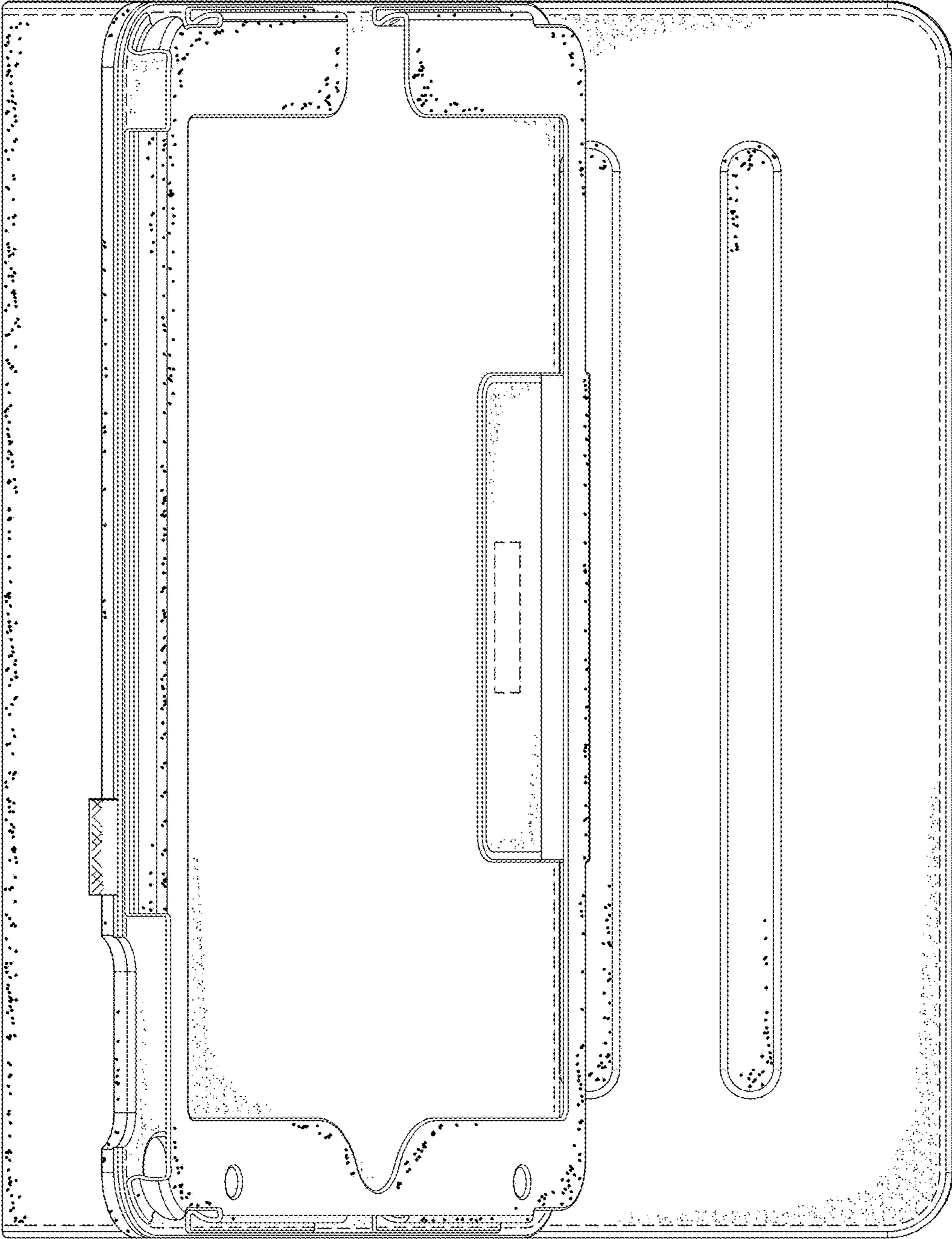


FIG. 6

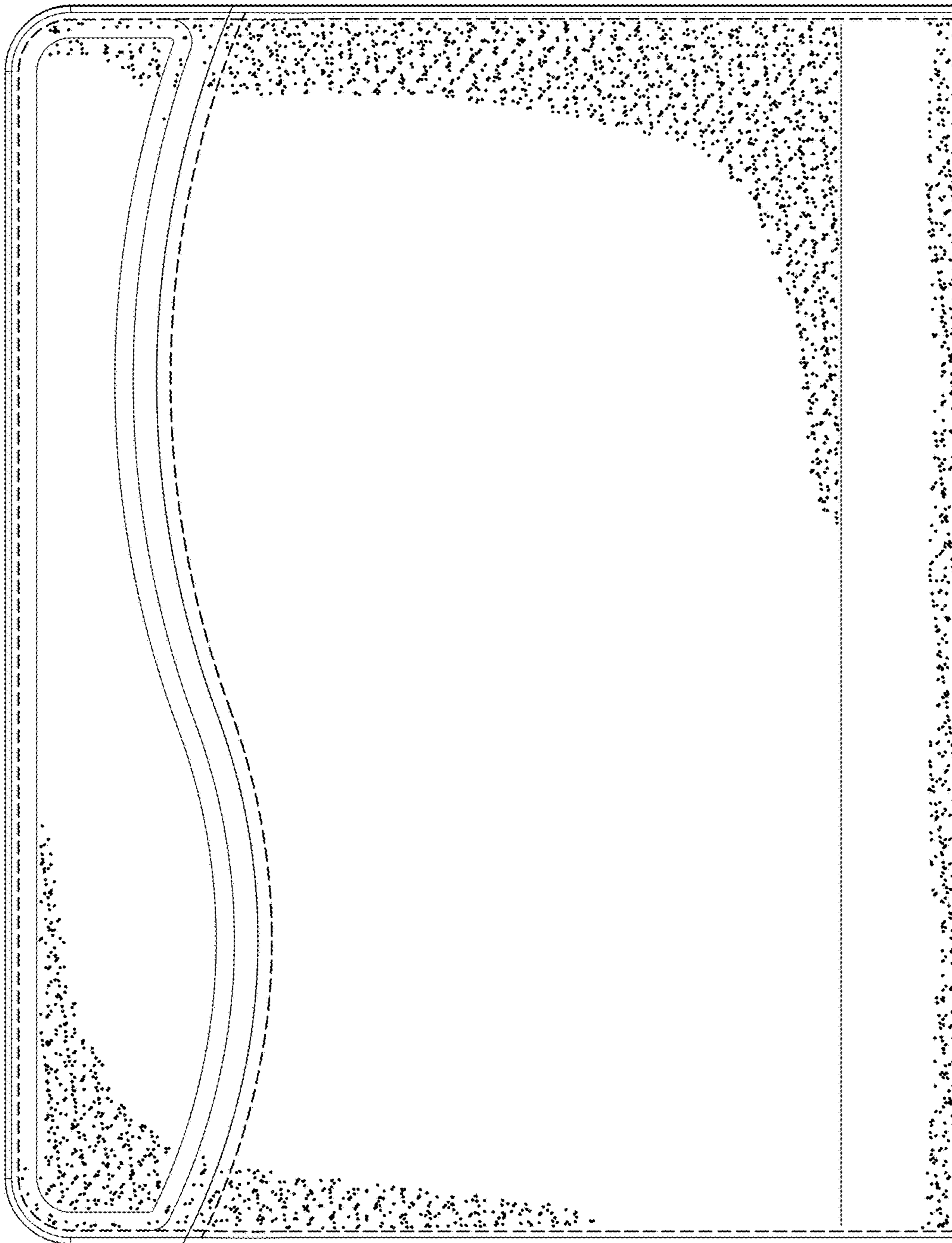


FIG. 7

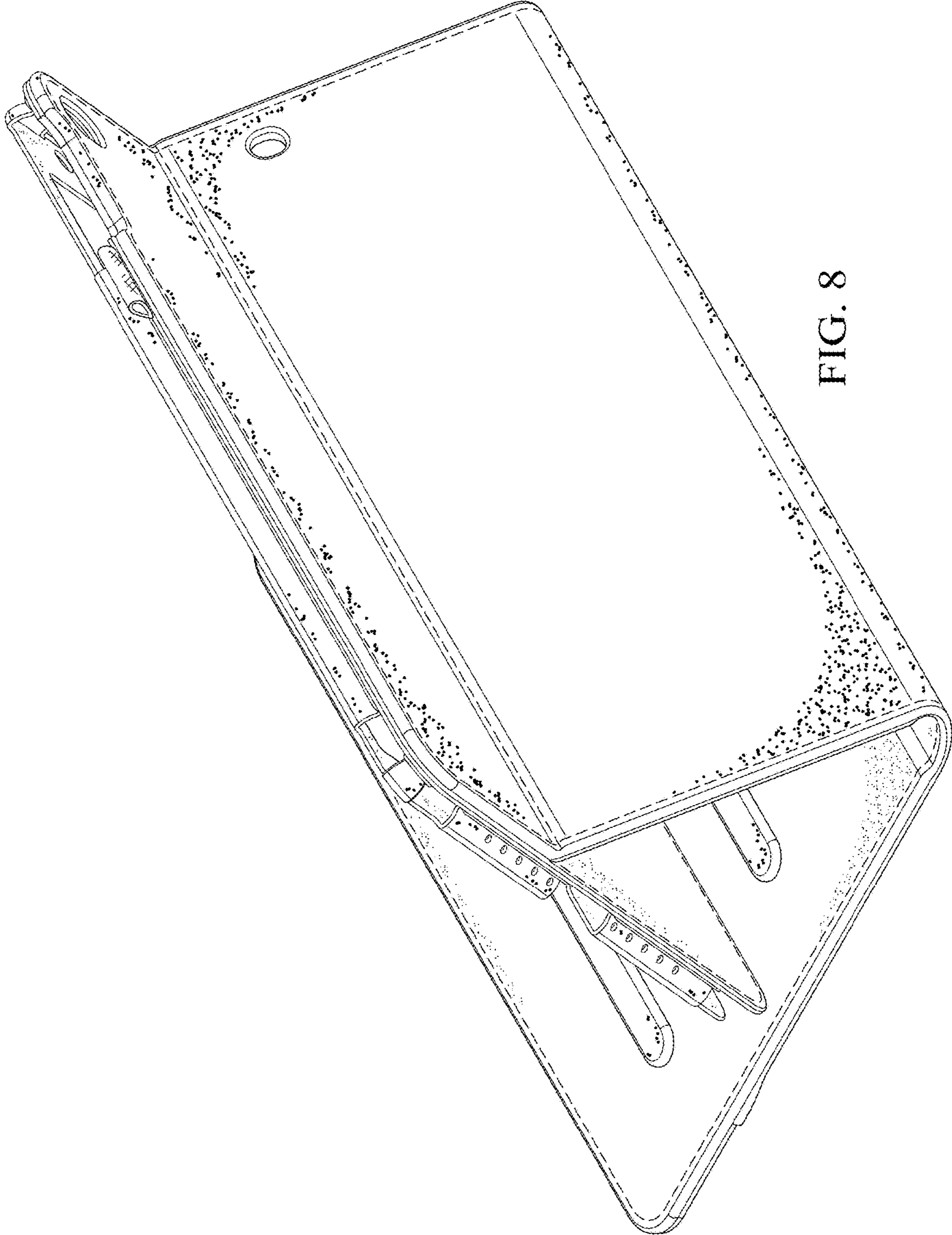


FIG. 8

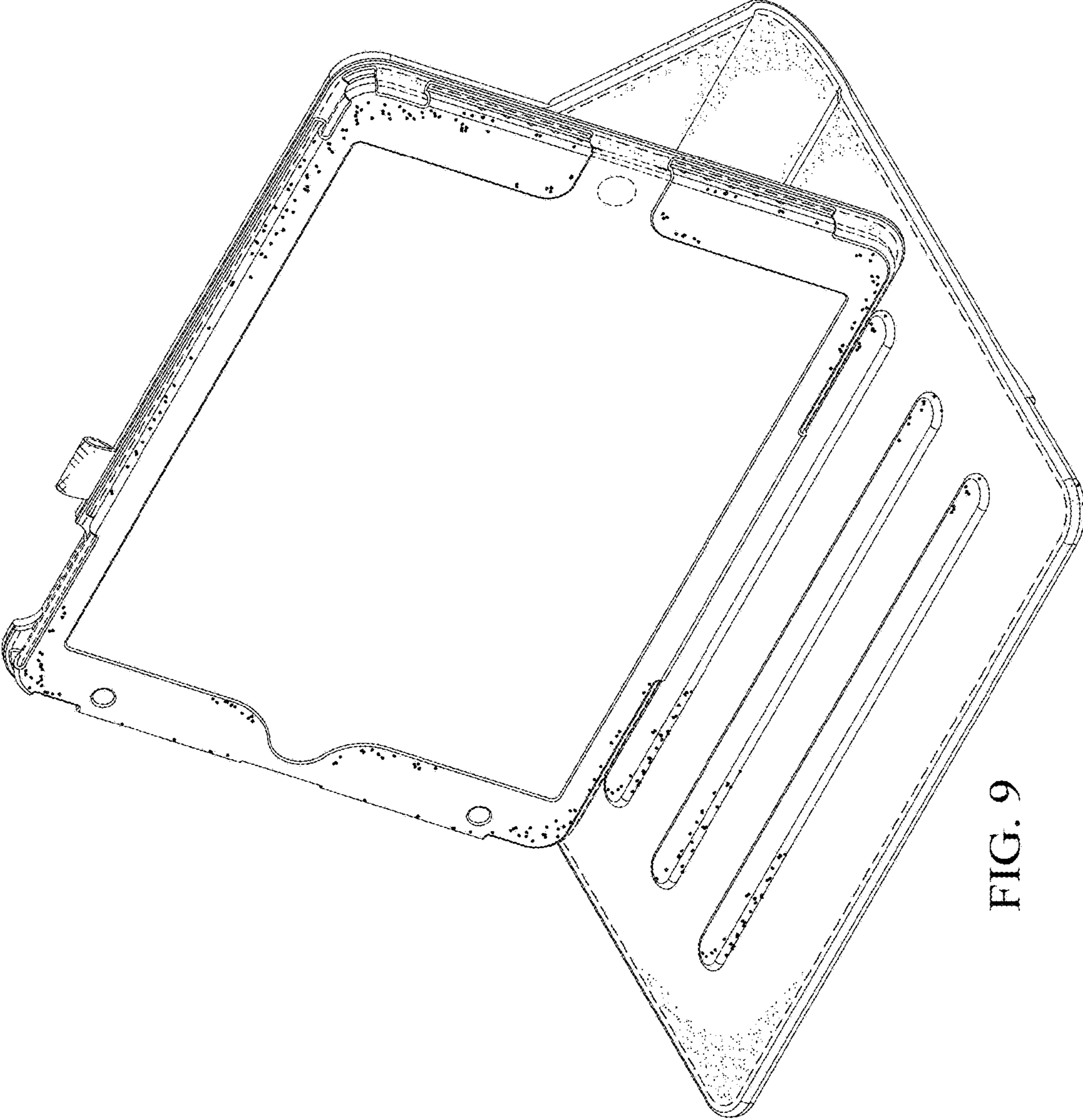


FIG. 9

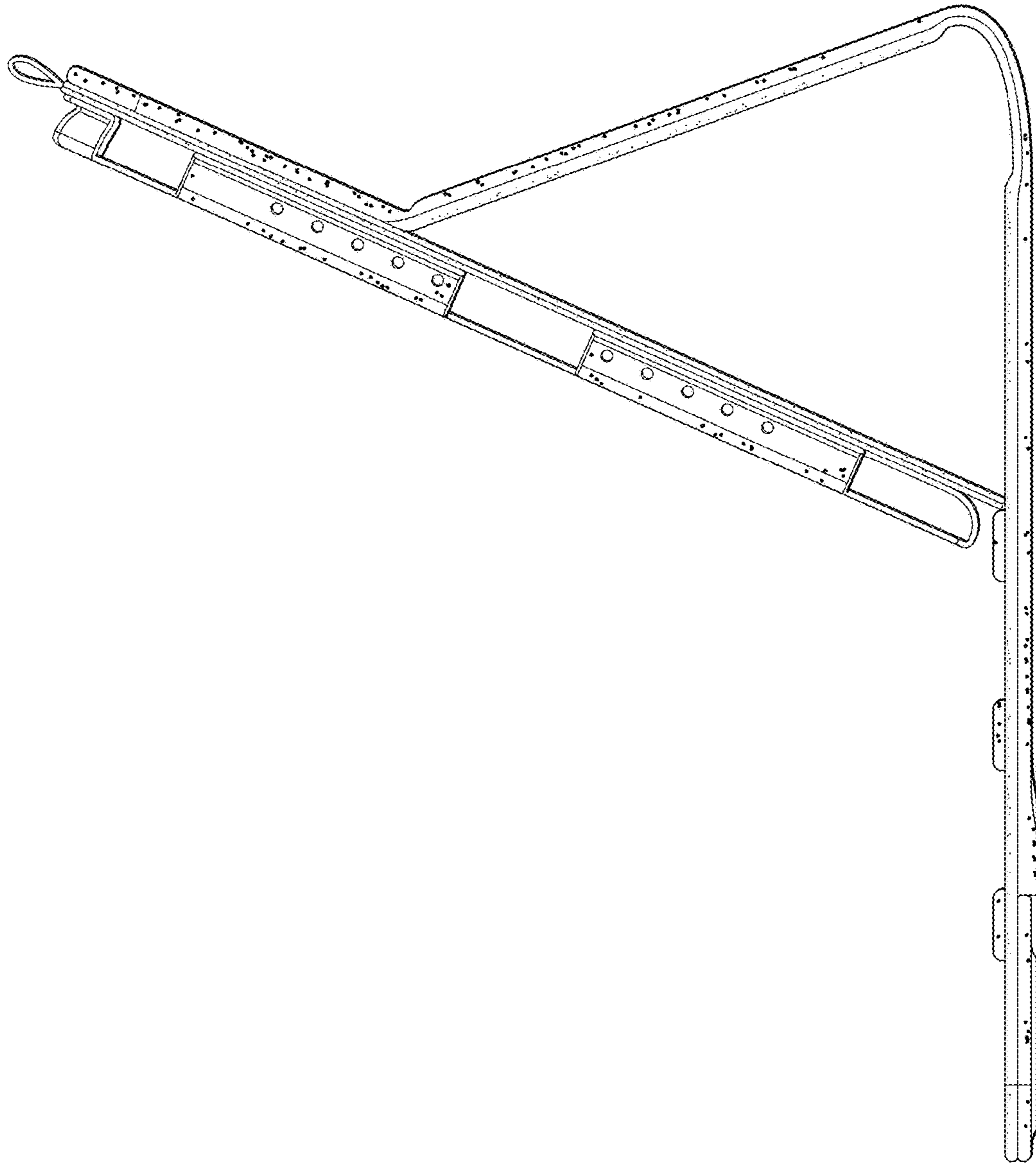


FIG. 10

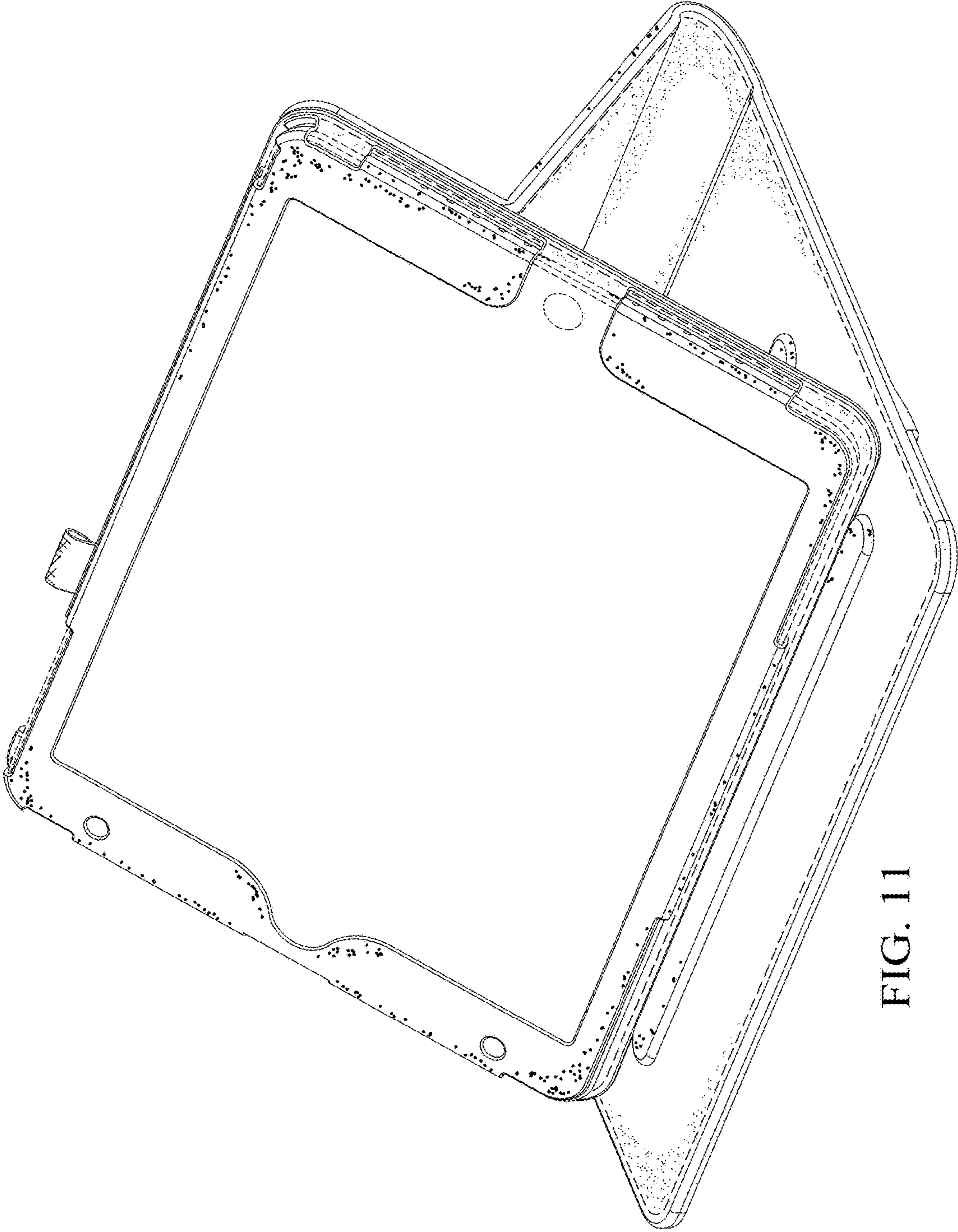


FIG. 11

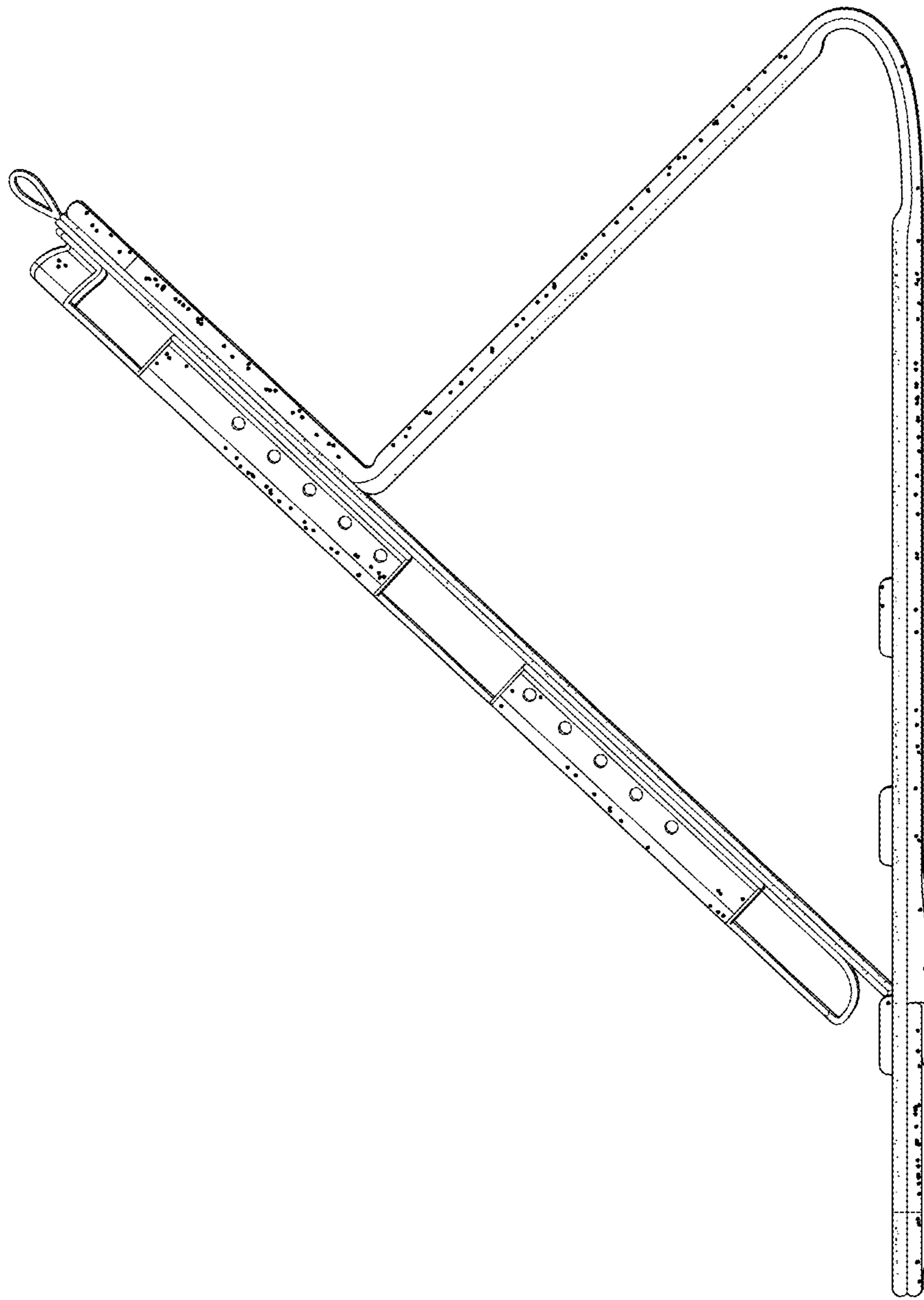


FIG. 12