



US00D832268S

(12) **United States Design Patent**  
**Mecchella et al.**

(10) **Patent No.:** **US D832,268 S**  
(45) **Date of Patent:** **\*\* Oct. 30, 2018**

- (54) **ELECTRONIC DEVICE COVER**
- (71) Applicant: **Amazon Technologies, Inc.**, Seattle, WA (US)
- (72) Inventors: **Monica Liane Mecchella**, San Francisco, CA (US); **Jesse Wheeler Moore**, Oakland, CA (US)
- (73) Assignee: **Amazon Technologies, Inc.**, Seattle, WA (US)
- (\*\*) Term: **15 Years**
- (21) Appl. No.: **29/598,181**
- (22) Filed: **Mar. 23, 2017**
- (51) **LOC (11) Cl.** ..... **14-02**
- (52) **U.S. Cl.**  
USPC ..... **D14/440**
- (58) **Field of Classification Search**  
USPC .... D14/440, 250, 447, 426, 330; 206/45.23, 206/320, 45.2; 361/679.55; 294/25  
(Continued)

(56) **References Cited**

U.S. PATENT DOCUMENTS

- D323,937 S \* 2/1992 Solomon ..... D3/299
  - D467,429 S \* 12/2002 Bone ..... D3/294
- (Continued)

FOREIGN PATENT DOCUMENTS

- JP D1567116 1/2017

OTHER PUBLICATIONS

The Japanese Office Action dated Feb. 9, 2018 for Japanese Design Application No. 2017-019790, a counterpart foreign application of Design U.S. Appl. No. 29/598,181, 4 pages.

(Continued)

*Primary Examiner* — Cynthia R Underwood

(74) *Attorney, Agent, or Firm* — Lee & Hayes, PLLC

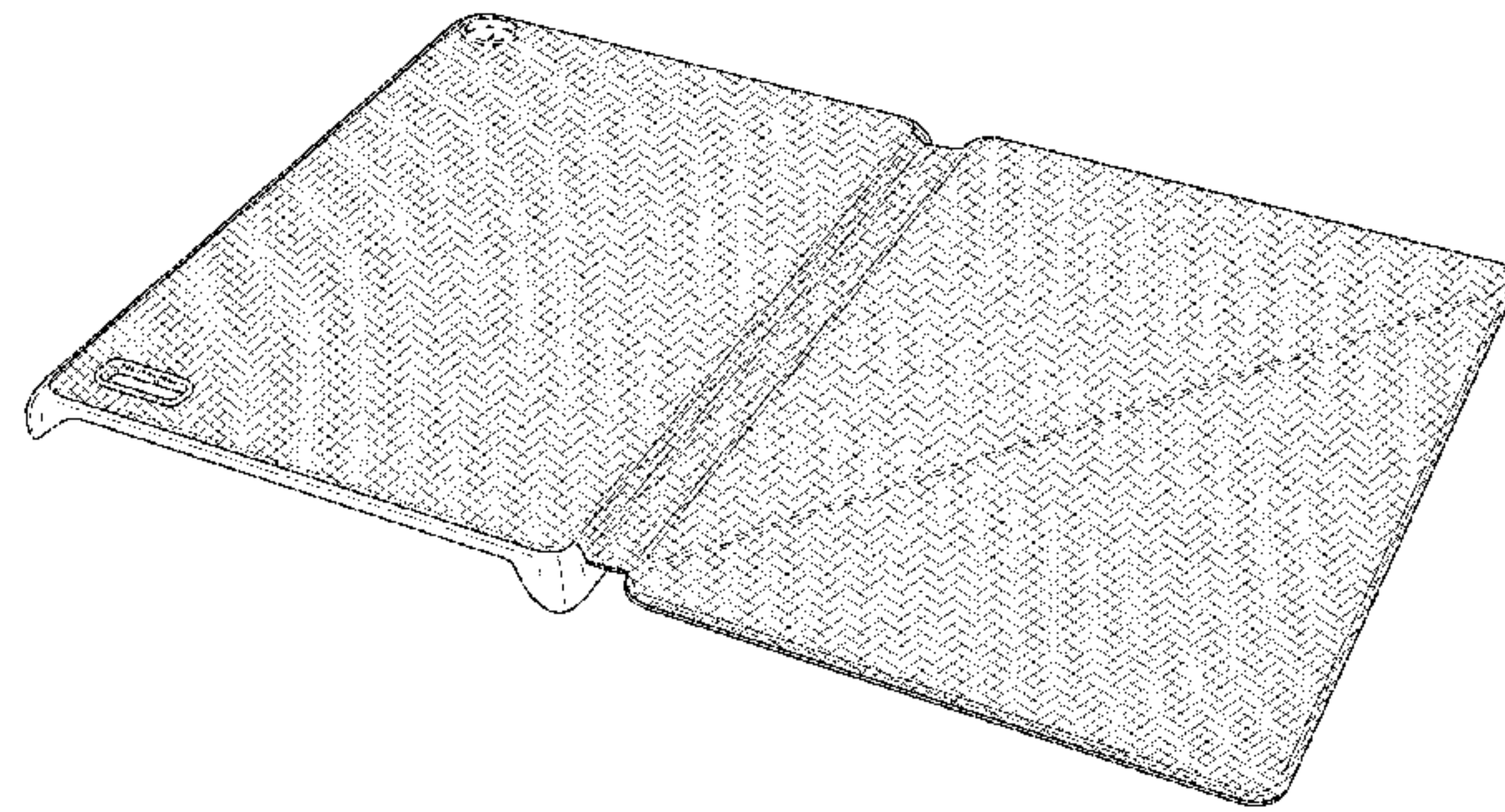
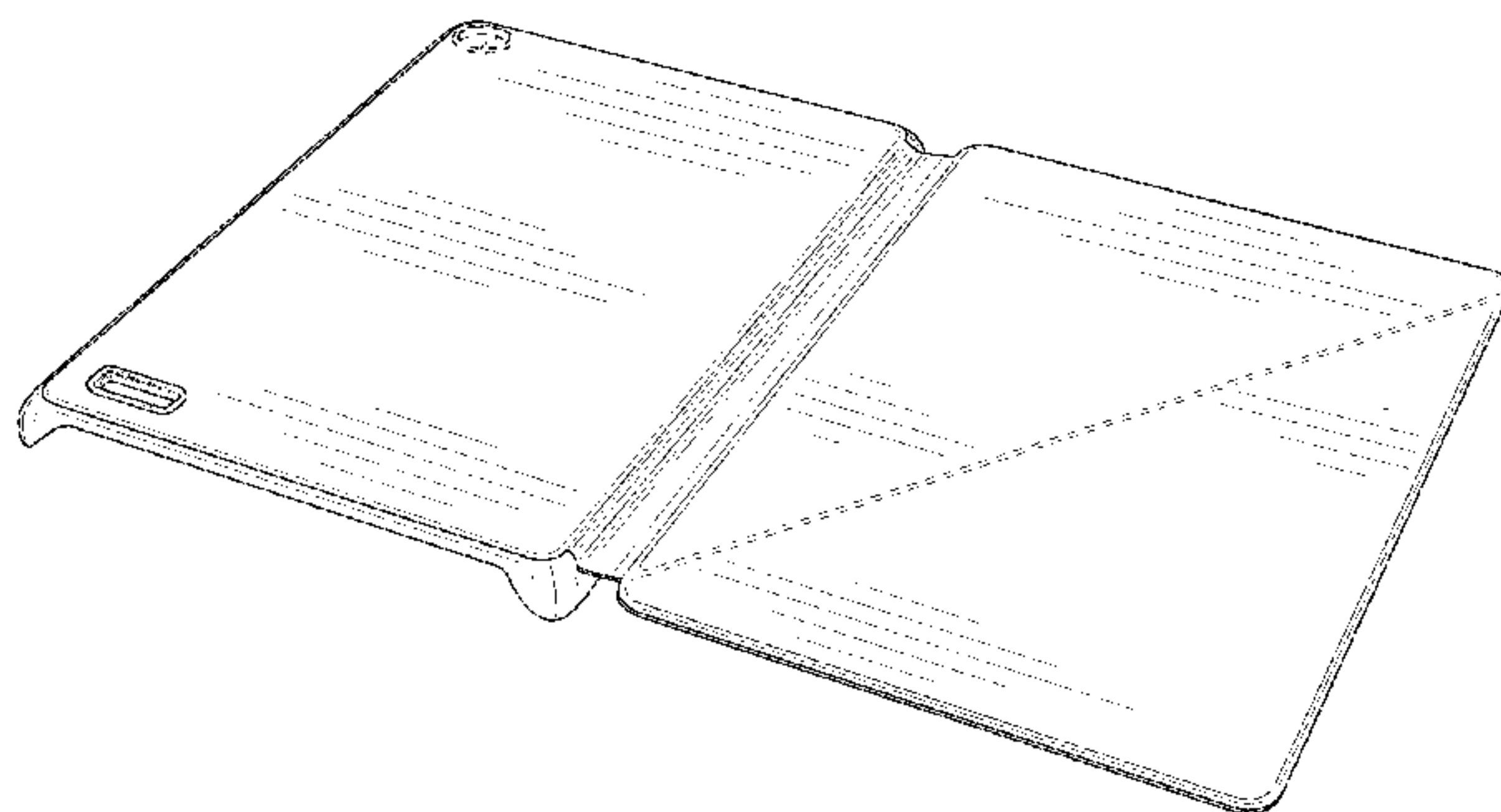
(57) **CLAIM**

The ornamental design for an electronic device cover, as shown and described.

**DESCRIPTION**

FIG. 1 is a front perspective view of a first embodiment of an electronic device cover.  
 FIG. 2 is a back perspective view of the first embodiment of the electronic device cover.  
 FIG. 3 is a front view of the first embodiment of the electronic device cover of FIG. 1.  
 FIG. 4 is a back view of the first embodiment of the electronic device cover of FIG. 1.  
 FIG. 5 is a left-side view of the first embodiment of the electronic device cover of FIG. 1.  
 FIG. 6 is a right-side view of the first embodiment of the electronic device cover of FIG. 1.  
 FIG. 7 is a top view of the first embodiment of the electronic device cover of FIG. 1.  
 FIG. 8 is a bottom view of the first embodiment of the electronic device cover of FIG. 1.  
 FIG. 9 is a first opened state view of the first embodiment of the electronic device cover of FIG. 1.  
 FIG. 10 is a second open state view of the first embodiment of the electronic device cover of FIG. 1.  
 FIG. 11 is a front perspective view of a second embodiment of an electronic device cover. The crosshatched pattern shown on the views of the second embodiment represents fabric (e.g., a woven fabric), and is understood to be distributed uniformly over the surface of the claimed design upon which the pattern occurs.  
 FIG. 12 is a back perspective view of the second embodiment of the electronic device cover.  
 FIG. 13 is a front view of the second embodiment of the electronic device cover of FIG. 11.  
 FIG. 14 is a back view of the second embodiment of the electronic device cover of FIG. 11.  
 FIG. 15 is a left-side view of the second embodiment of the electronic device cover of FIG. 11.  
 FIG. 16 is a right-side view of the second embodiment of the electronic device cover of FIG. 11.  
 FIG. 17 is a top view of the second embodiment of the electronic device cover of FIG. 11.  
 FIG. 18 is a bottom view of the second embodiment of the electronic device cover of FIG. 11.  
 FIG. 19 is a first open state view of the second embodiment of the electronic device cover of FIG. 11; and,  
 FIG. 20 is a second open state view of the second embodiment of the electronic device cover of FIG. 11.  
 The broken lines depict portions of the electronic device cover which form no part of the claimed design.

**1 Claim, 20 Drawing Sheets**



(58) **Field of Classification Search**  
 CPC ..... G06F 1/1628; G06F 1/1626; G06F 1/669;  
 A47B 23/044; H04B 1/3888  
 See application file for complete search history.

(56) **References Cited**

U.S. PATENT DOCUMENTS

D657,354	S	*	4/2012	Kim	.....	D14/250
D676,448	S	*	2/2013	Gorman	.....	D14/440
D676,449	S	*	2/2013	Probst	.....	D14/440
8,542,495	B1	*	9/2013	Gorman	.....	G06F 1/1626 361/679.02
D707,229	S	*	6/2014	Almodova	.....	D14/440
D736,777	S	*	8/2015	Rayner	.....	D14/440
D742,888	S	*	11/2015	Mecchella	.....	D14/440
D742,889	S	*	11/2015	Mecchella	.....	D14/440
D742,890	S	*	11/2015	Mecchella	.....	D14/440
D748,097	S	*	1/2016	Feng	.....	D14/440
D748,636	S	*	2/2016	Zadvinskis	.....	D14/440
D753,123	S	*	4/2016	Probst	.....	D14/440
9,307,131	B1	*	4/2016	Breen	.....	H04N 5/2257
D761,798	S	*	7/2016	Lee	.....	D14/440
D765,086	S	*	8/2016	Lee	.....	D14/440
D765,663	S	*	9/2016	Shih	.....	D14/440
D768,638	S	*	10/2016	Lee	.....	D14/440
D774,036	S	*	12/2016	Kuntz	.....	D14/440
D781,278	S	*	3/2017	Kim	.....	D14/250
D787,520	S	*	5/2017	Wall	.....	D14/440
D792,412	S	*	7/2017	Zhang	.....	D14/440
D792,887	S	*	7/2017	Zhang	.....	D14/440

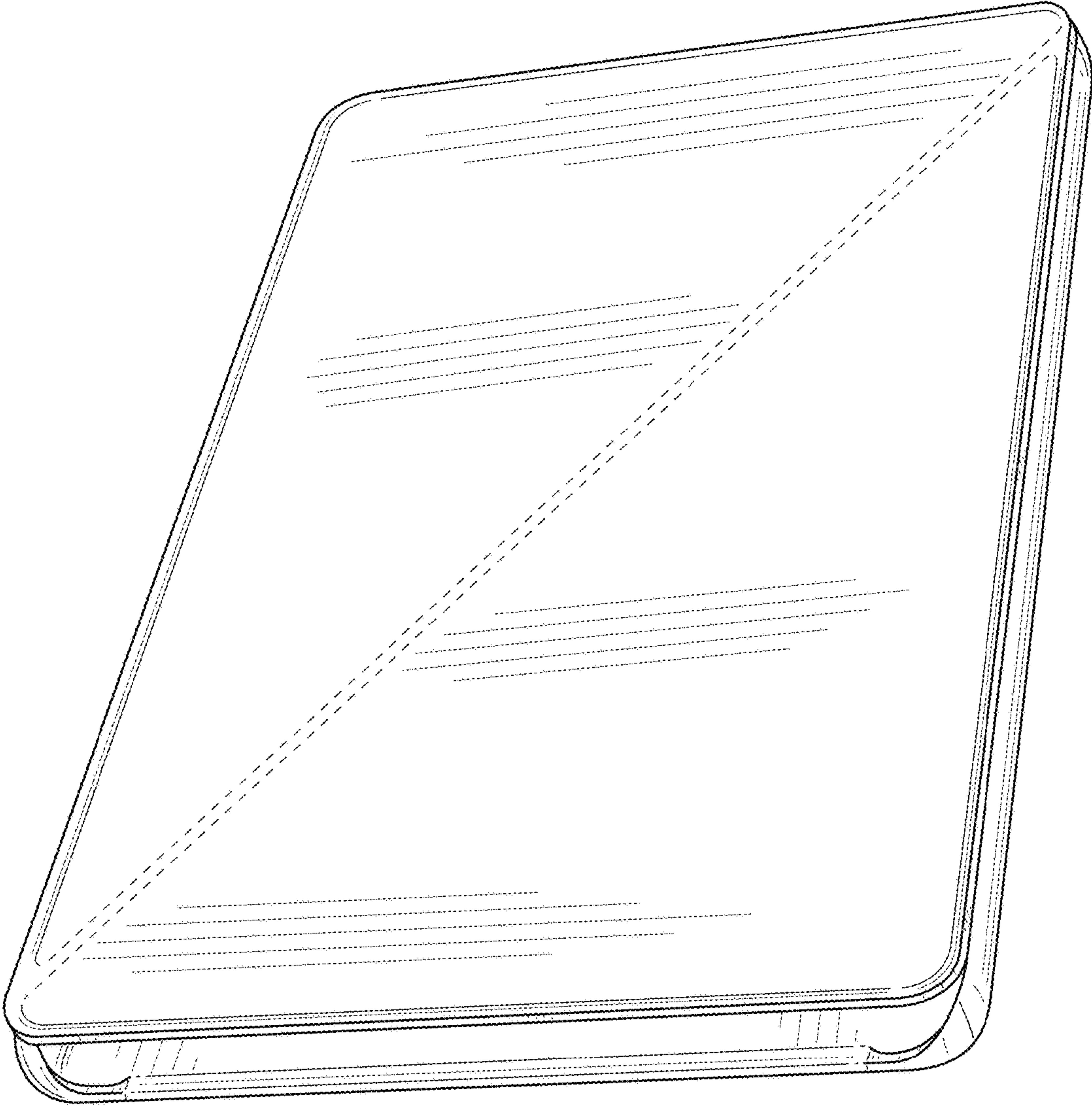
D808,393	S	*	1/2018	Moore	.....	D14/440
D810,088	S	*	2/2018	Moore	.....	D14/440
D811,411	S	*	2/2018	Moore	.....	D14/440
2007/0097087	A1	*	5/2007	Homer	.....	G06F 1/1626 345/173
2008/0194139	A1	*	8/2008	Chan	.....	G06F 1/1613 439/521
2012/0043235	A1	*	2/2012	Klement	.....	A45C 11/00 206/320
2013/0264459	A1	*	10/2013	McCosh	.....	G06F 1/1626 248/688
2016/0011628	A1	*	1/2016	Sato	.....	G06F 1/1656 361/679.3

OTHER PUBLICATIONS

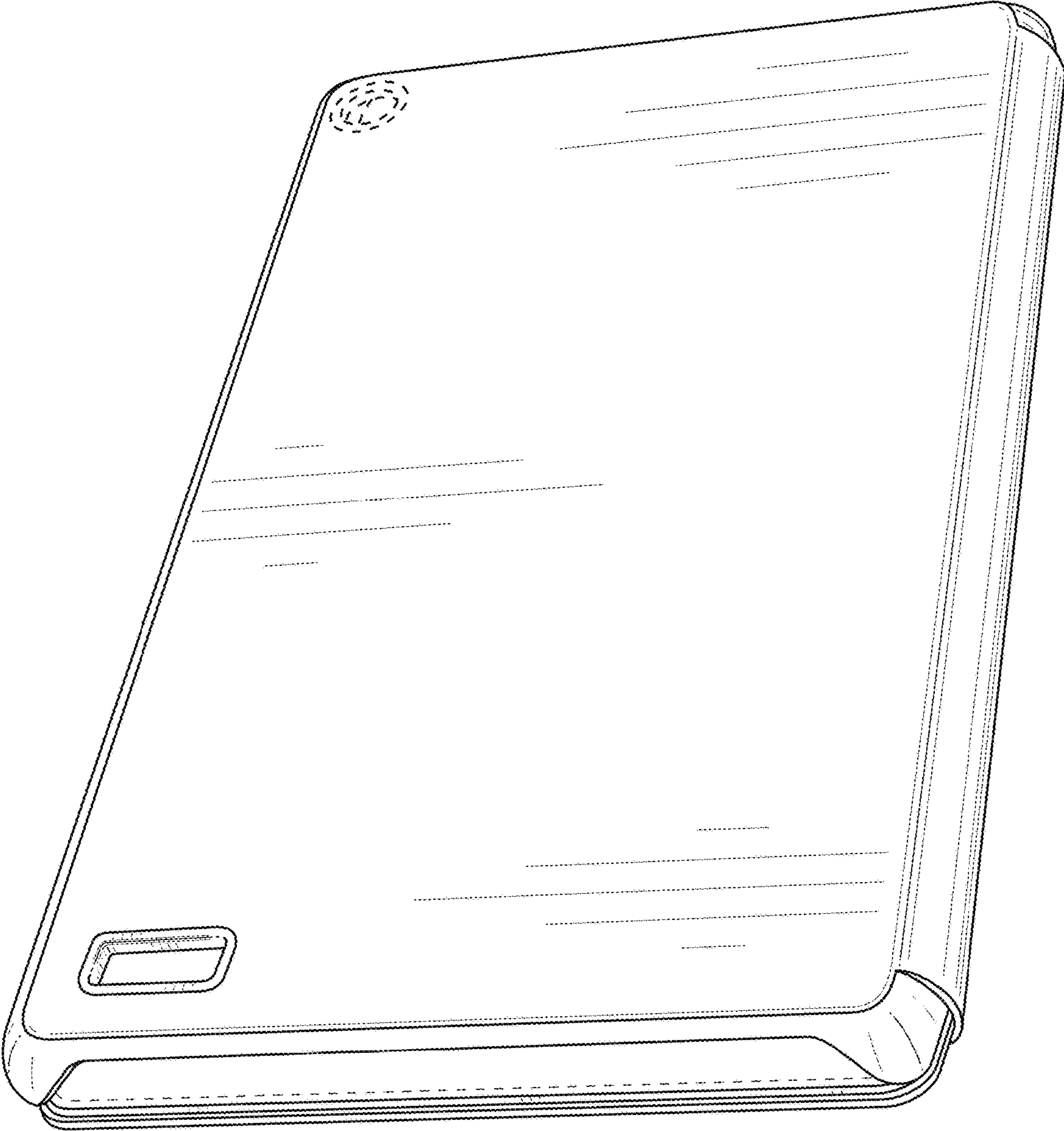
The Indian Office Action dated Oct. 3, 2017 for Indian design application No. 297353, a counterpart foreign application of design U.S. Appl. No. 29/598,181, 2 pages.  
 The Canadian Office Action dated Mar. 19, 2018 for Canadian Patent Application No. 177016, a counterpart foreign application of U.S. Appl. No. 29/598,181, 2 pages.  
 The Canadian Office Action dated Mar. 19, 2018 for Canadian Patent Application No. 177015, a counterpart foreign application of U.S. Appl. No. 29/598,181, 1 page.  
 Translated Japanese Office Action dated Jun. 22, 2018 for Japanese Design Application No. 2017-019790, a counterpart foreign application of Design U.S. Appl. No. 29/598,181, 3 pages.

\* cited by examiner

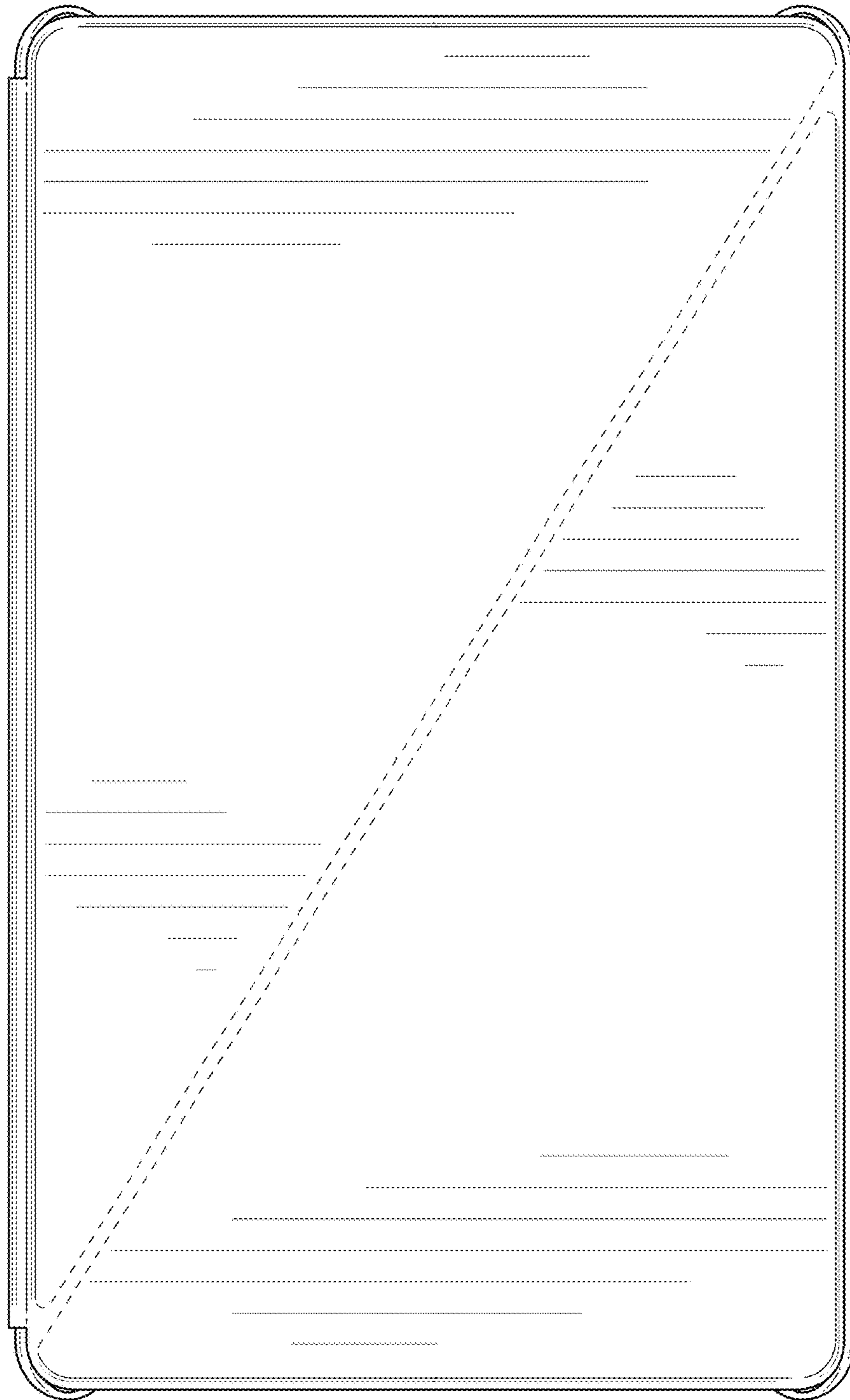




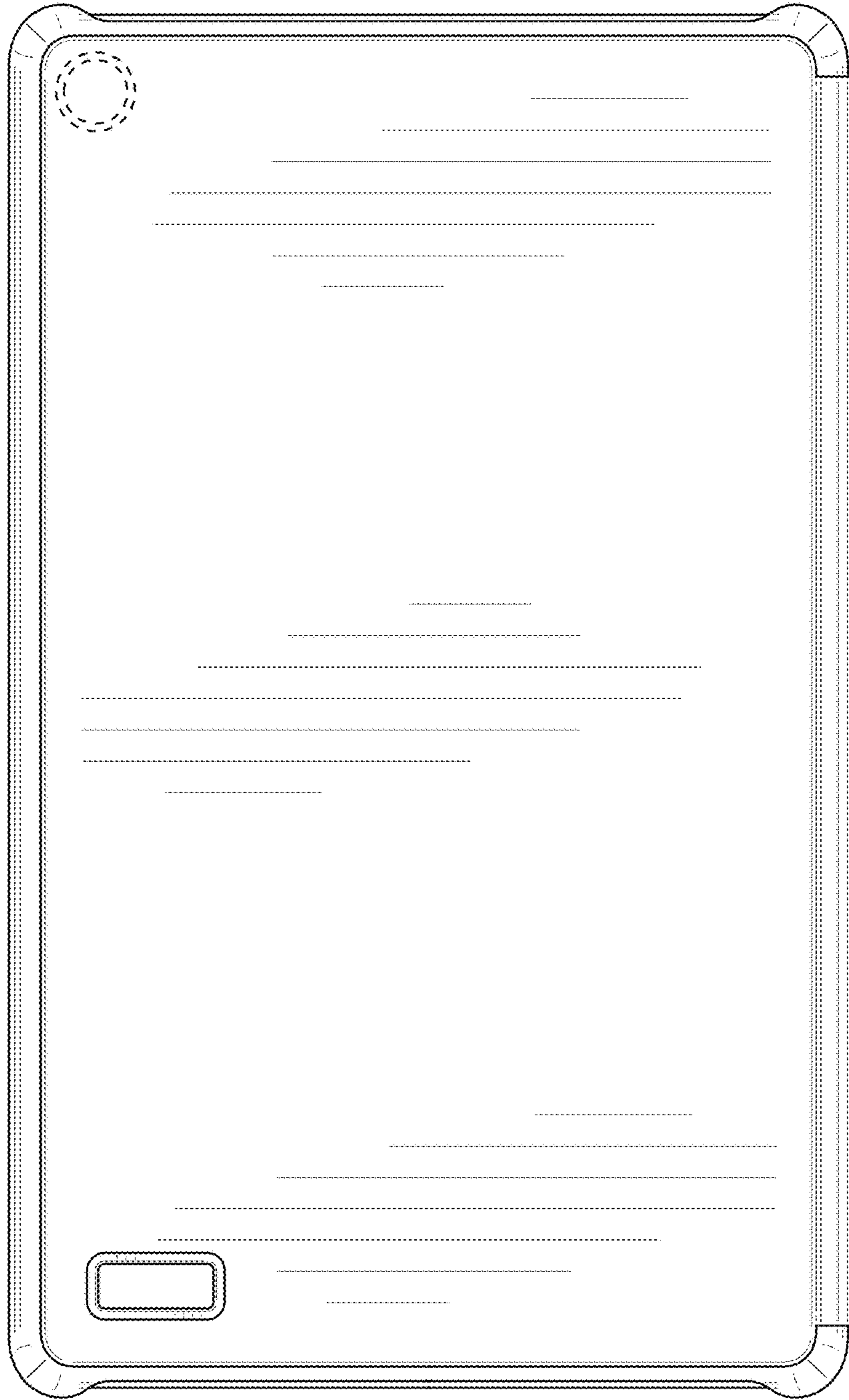
**FIG. 1**



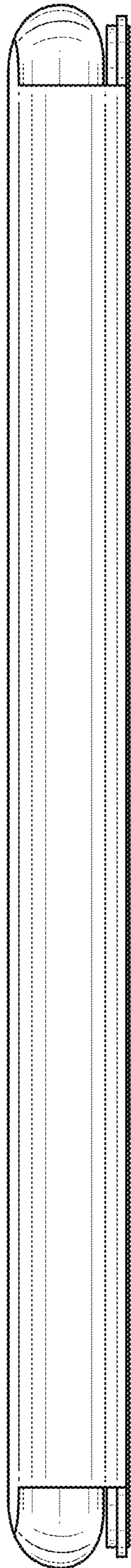
**FIG. 2**



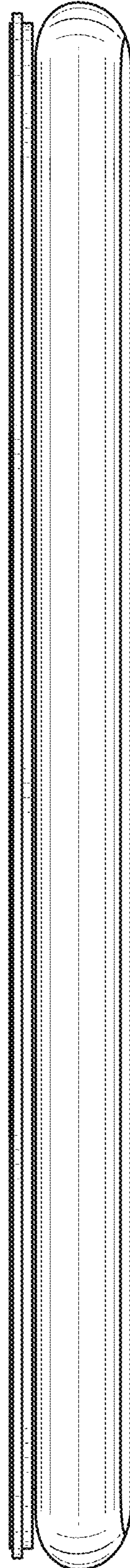
**FIG. 3**



**FIG. 4**

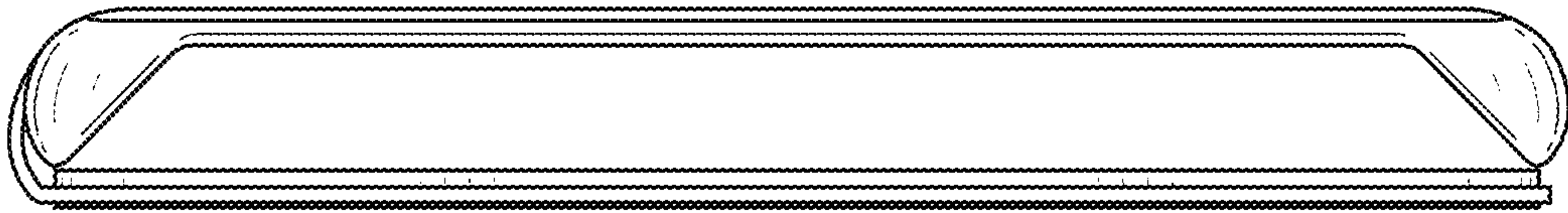


**FIG. 5**



**FIG. 6**

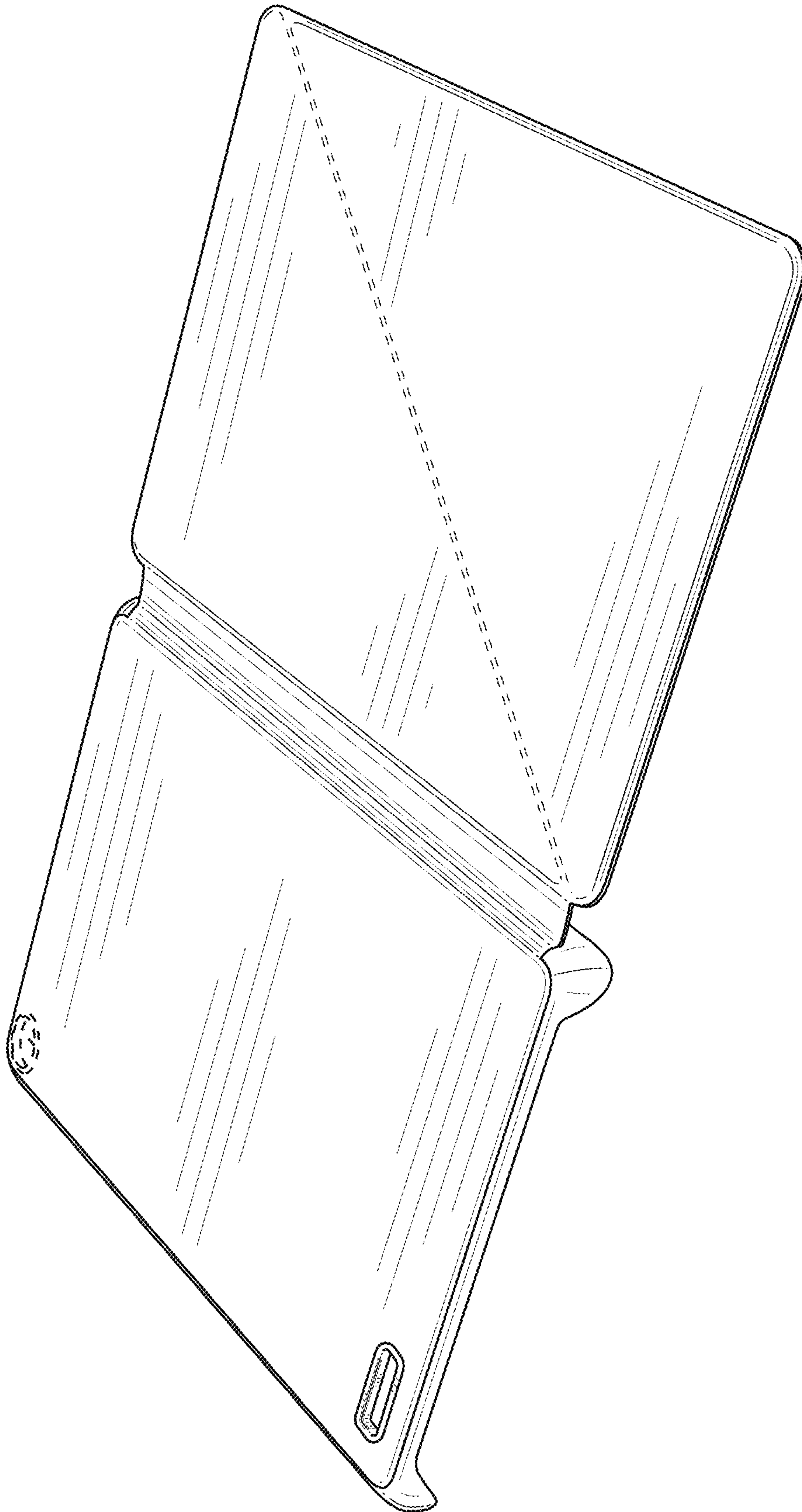




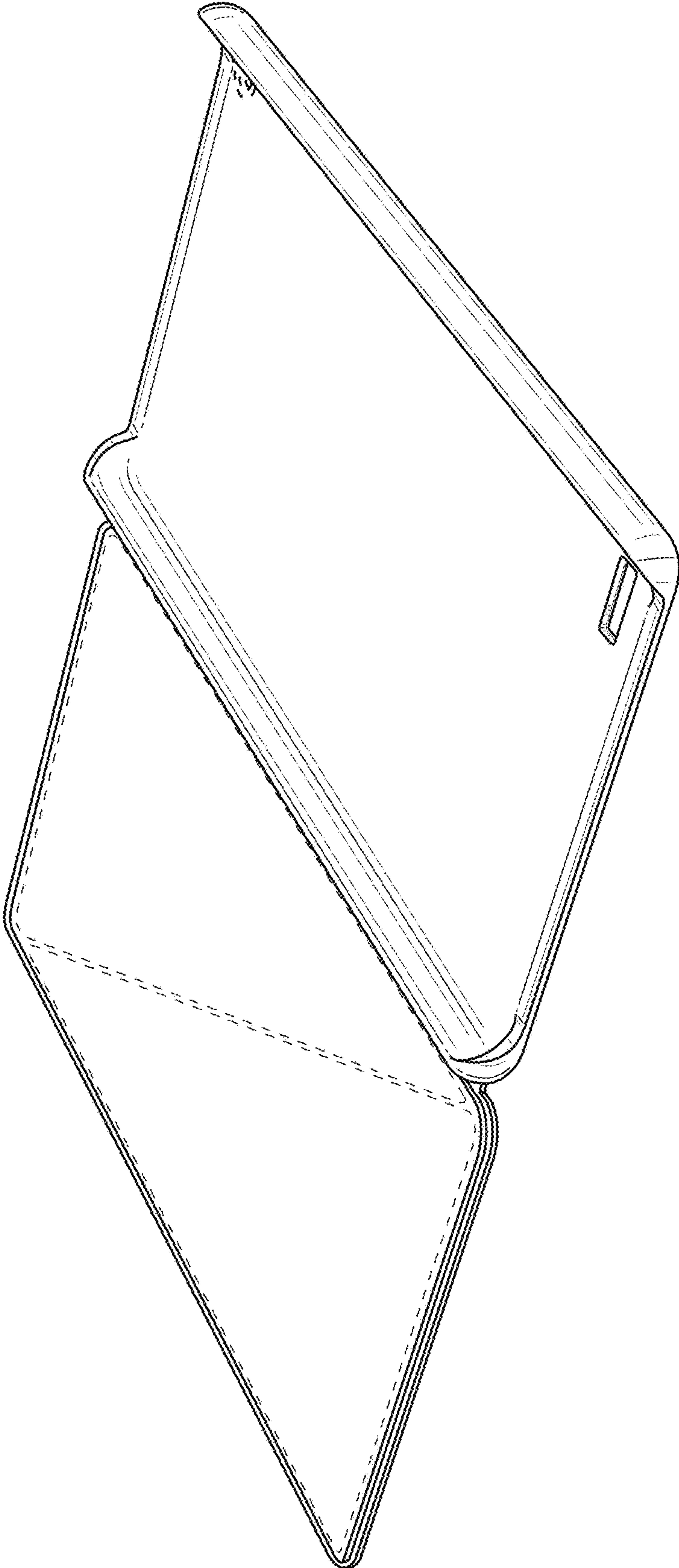
**FIG. 7**



**FIG. 8**



**FIG. 9**



**FIG. 10**





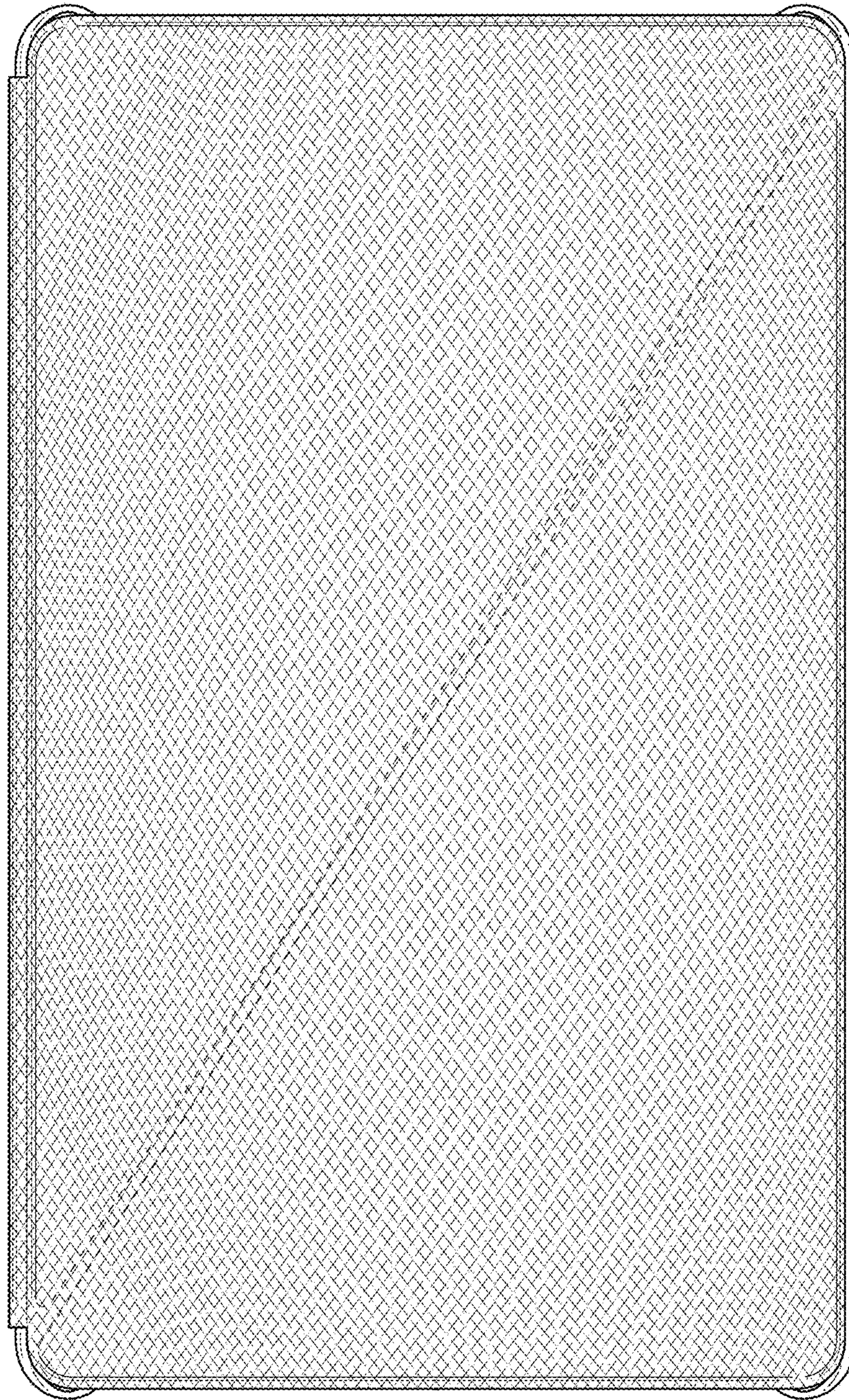
**FIG. 11**





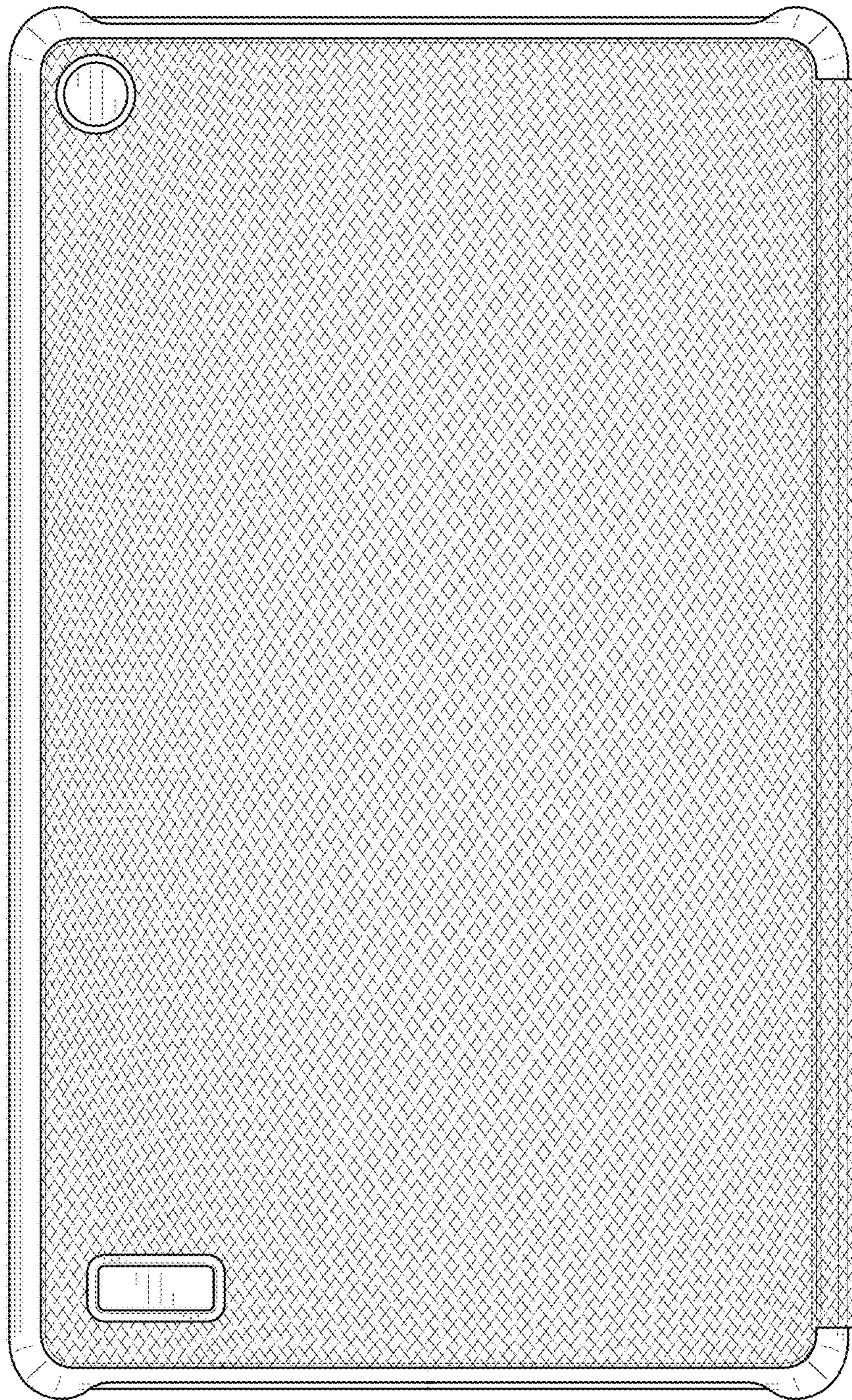
**FIG. 12**





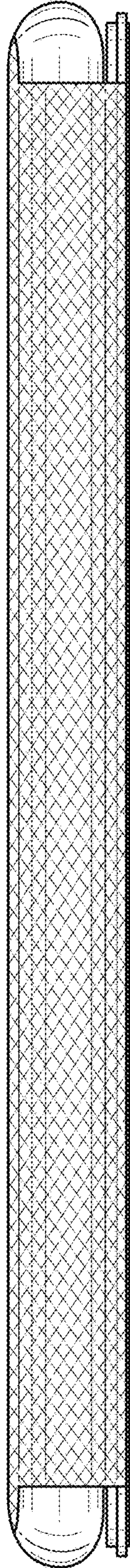
**FIG. 13**



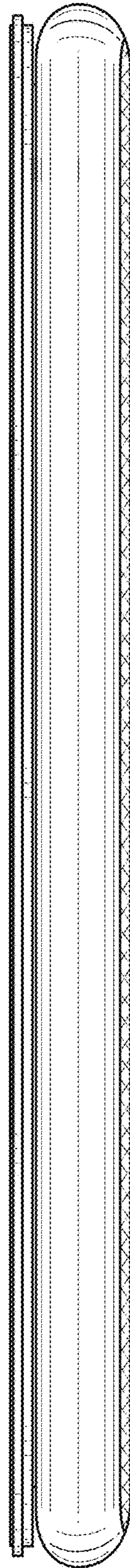


**FIG. 14**

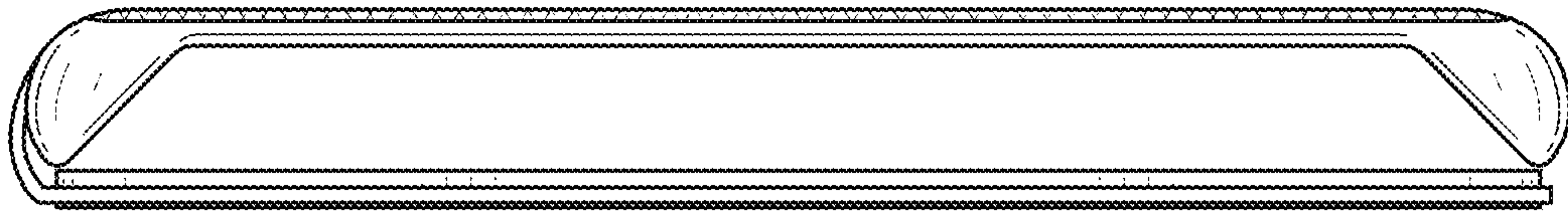




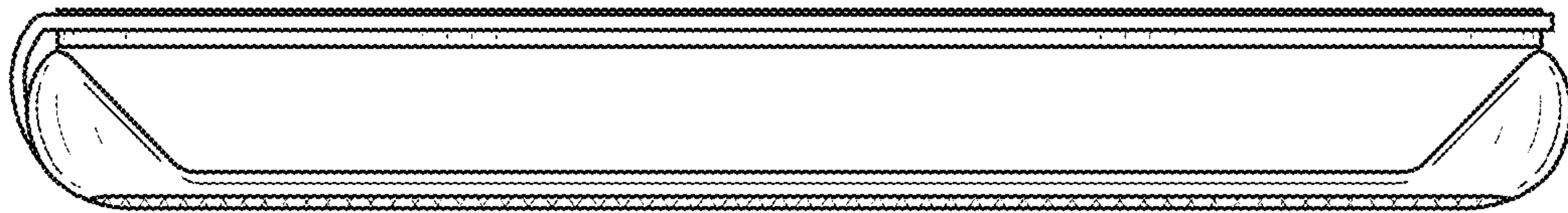
**FIG. 15**



**FIG. 16**

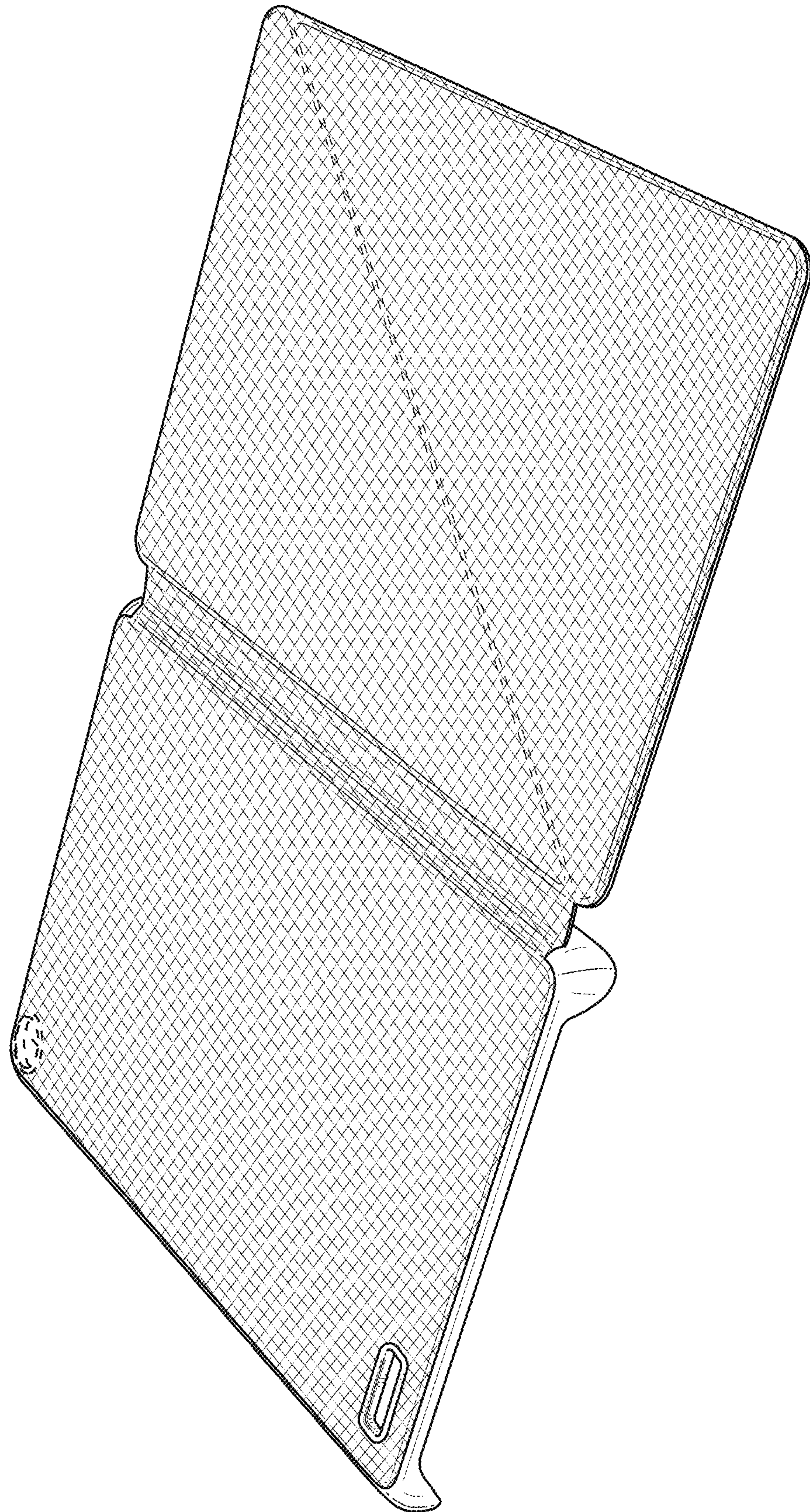


**FIG. 17**



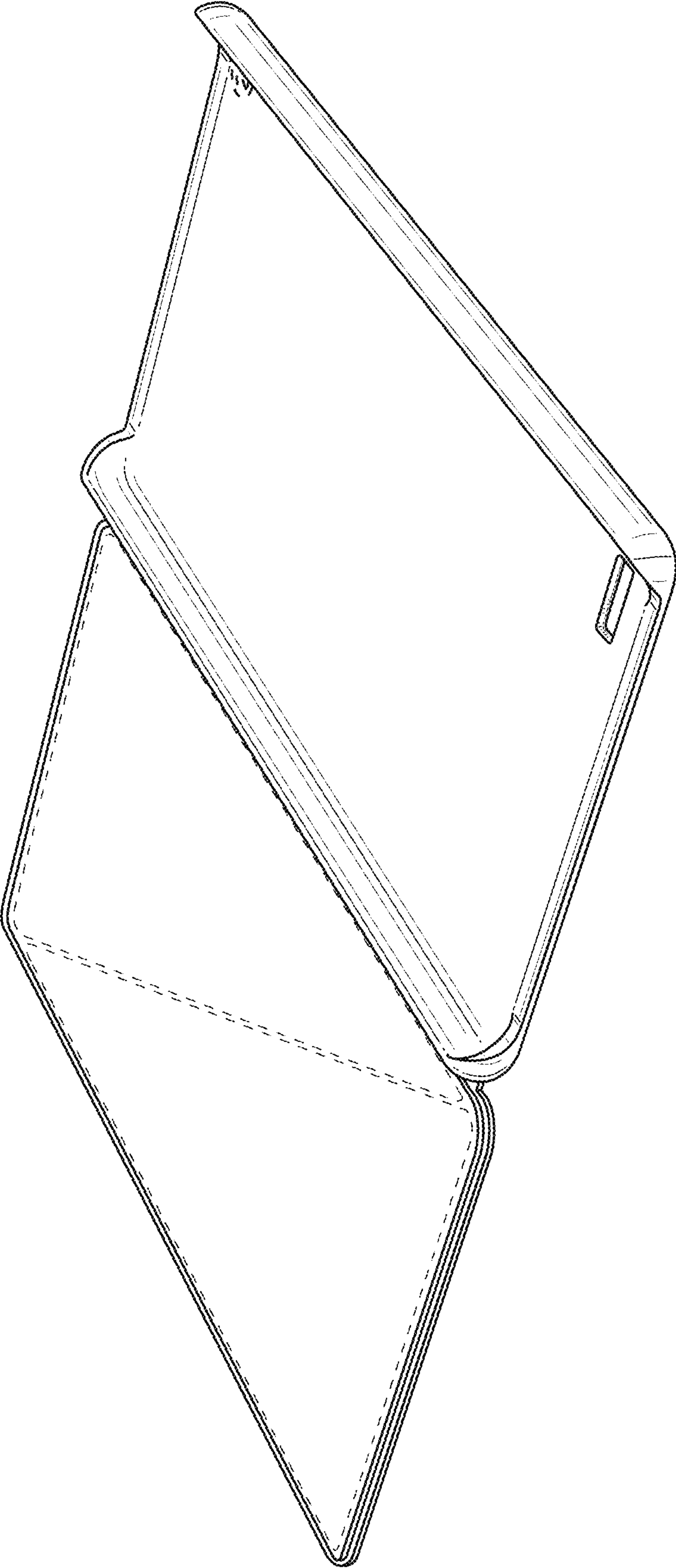
**FIG. 18**





**FIG. 19**





**FIG. 20**