



US00D832266S

(12) **United States Design Patent** (10) **Patent No.:** **US D832,266 S**
Akana et al. (45) **Date of Patent:** **** Oct. 30, 2018**

(54) **DISPLAY FOR AN ELECTRONIC DEVICE**

(71) Applicant: **Apple Inc.**, Cupertino, CA (US)

(72) Inventors: **Jody Akana**, San Francisco, CA (US); **Molly Anderson**, San Francisco, CA (US); **Bartley K. Andre**, Palo Alto, CA (US); **Shota Aoyagi**, San Francisco, CA (US); **Anthony Michael Ashcroft**, San Francisco, CA (US); **Marine C. Bataille**, San Francisco, CA (US); **Jeremy Bataillou**, San Francisco, CA (US); **Daniele De Iuliis**, San Francisco, CA (US); **Markus Diebel**, San Francisco, CA (US); **Douglas G. Fournier**, San Jose, CA (US); **M. Evans Hankey**, San Francisco, CA (US); **Julian Hoenig**, San Francisco, CA (US); **Richard P. Howarth**, San Francisco, CA (US); **Jonathan P. Ive**, San Francisco, CA (US); **Julian Jaede**, San Francisco, CA (US); **Daniel W. Jarvis**, Sunnyvale, CA (US); **Duncan Robert Kerr**, San Francisco, CA (US); **Robert F. Meyer**, Palo Alto, CA (US); **David A. Pakula**, San Francisco, CA (US); **Peter Russell-Clarke**, San Francisco, CA (US); **Benjamin Andrew Shaffer**, San Jose, CA (US); **Mikael Silvano**, San Francisco, CA (US); **Ian Spraggs**, San Francisco, CA (US); **Christopher J. Stringer**, Woodside, CA (US); **Joe Sung Ho Tan**, San Francisco, CA (US); **Tang Yew Tan**, San Francisco, CA (US); **Clement Tissandier**, San Francisco, CA (US); **Eugene Antony Whang**, San Francisco, CA (US); **Rico Zörkendörfer**, San Francisco, CA (US)

(73) Assignee: **Apple Inc.**, Cupertino, CA (US)

(**) Term: **15 Years**

(21) Appl. No.: **29/612,831**

(22) Filed: **Aug. 4, 2017**

(51) **LOC (11) Cl.** **14-02**

(52) **U.S. Cl.**
USPC **D14/439**

(58) **Field of Classification Search**
USPC D14/341–347, 424, 425, 432–453, 464, D14/468, 469, 471, 496, 511, 138 AA,
(Continued)

(56) **References Cited**

U.S. PATENT DOCUMENTS

D558,757 S 1/2008 Andre et al.
D580,387 S 11/2008 Andre et al.
(Continued)

FOREIGN PATENT DOCUMENTS

CN 301300814 S 8/2010
CN 302619300 S 10/2013
(Continued)

OTHER PUBLICATIONS

Faulkner, Cameron, "Essential Phone Review", Tech Radar, [retrieved on Nov. 25, 2017], 2017, accessed at Retrieved from the Internet: URL: <<http://www.techradar.com/reviews/essential-phone>>.
(Continued)

Primary Examiner — Austin Murphy
(74) *Attorney, Agent, or Firm* — Sterne, Kessler, Goldstein & Fox P.L.L.C.

(57) **CLAIM**

The ornamental design for a display for an electronic device, as shown and described.

DESCRIPTION

FIG. 1 is a bottom front perspective view of a display for an electronic device showing the claimed design;
FIG. 2 is a top rear perspective view thereof;
FIG. 3 is a front view thereof;

(Continued)

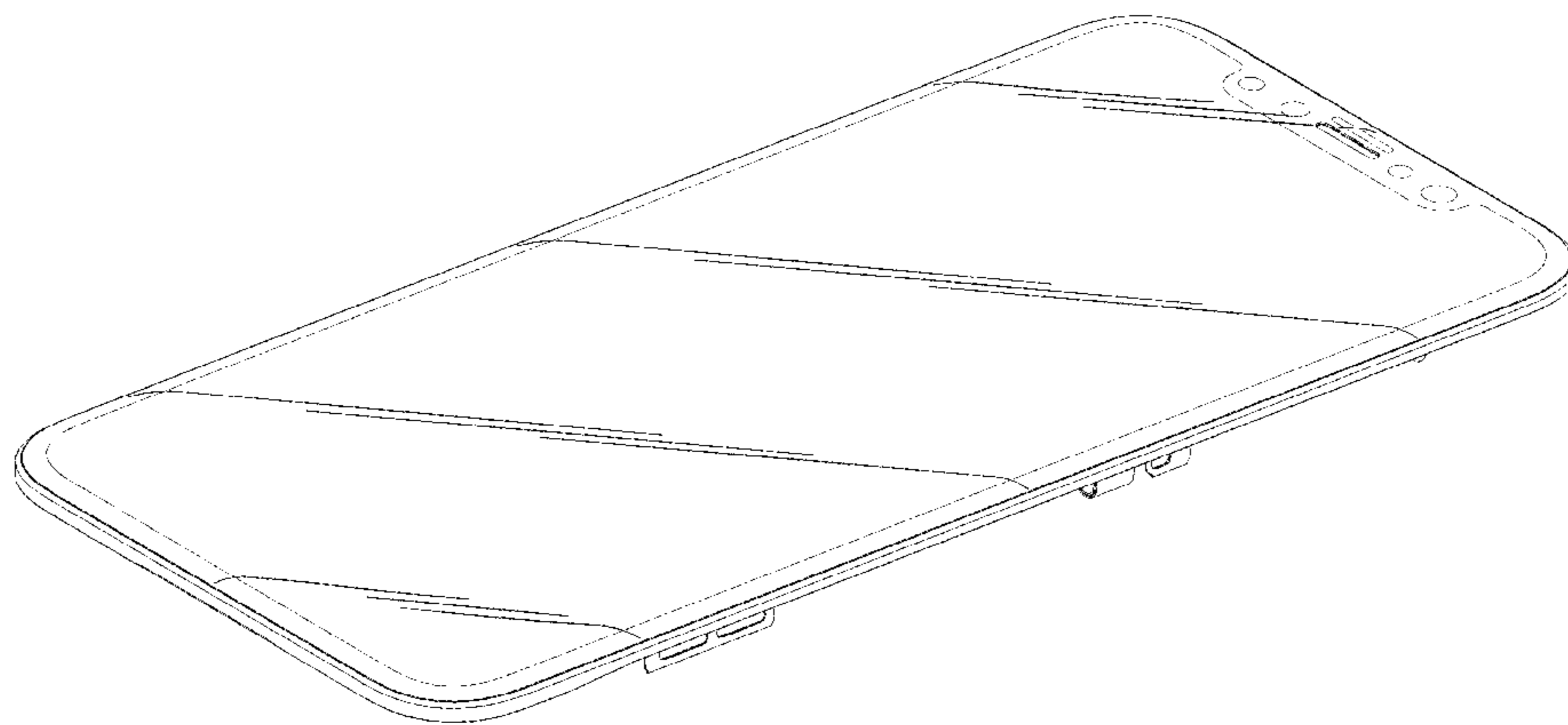


FIG. 4 is a rear view thereof;
 FIG. 5 is a left side view thereof;
 FIG. 6 is a right side view thereof;
 FIG. 7 is a top view thereof; and,
 FIG. 8 is a bottom view thereof.
 The oblique shade lines in the figures show transparency or translucency.

1 Claim, 6 Drawing Sheets

(58) **Field of Classification Search**

USPC ... D14/138 AD, 138 C, 138 G, 203.1–203.8,
 D14/217, 238.1, 248, 250, 257, 299;
 361/679.01, 679.02, 679.03, 679.3,
 361/679.55, 679.56; 455/550.1, 556.1,
 455/556.2, 575.1, 575.3–575.5, 575.8,
 455/90.3
 CPC H04M 1/0277; H04M 1/0202; H04M 1/02;
 H04B 1/3838
 See application file for complete search history.

(56) **References Cited**

U.S. PATENT DOCUMENTS

| | | | |
|--------------|---------|-------------------|---------|
| D593,087 S | 5/2009 | Andre et al. | |
| D602,014 S | 10/2009 | Andre et al. | |
| D602,015 S | 10/2009 | Andre et al. | |
| D602,017 S | 10/2009 | Andre et al. | |
| D613,735 S | 4/2010 | Andre et al. | |
| D613,736 S | 4/2010 | Andre et al. | |
| D615,083 S | 5/2010 | Andre et al. | |
| D618,678 S | 6/2010 | Andre et al. | |
| D622,718 S | 8/2010 | Andre et al. | |
| D627,778 S | 11/2010 | Akana et al. | |
| 7,876,274 B2 | 1/2011 | Hobson et al. | |
| D633,091 S | 2/2011 | Andre et al. | |
| 7,889,139 B2 | 2/2011 | Hobson et al. | |
| 7,924,231 B2 | 4/2011 | Hill et al. | |
| D642,563 S | 8/2011 | Akana et al. | |
| D647,106 S | 10/2011 | Akana et al. | |
| D647,882 S | 11/2011 | Kim et al. | |
| 8,106,836 B2 | 1/2012 | Hill et al. | |
| D654,887 S | 2/2012 | McManigal et al. | |
| 8,116,073 B2 | 2/2012 | Hung et al. | |
| D661,707 S | 6/2012 | Akana et al. | |
| D662,922 S | 7/2012 | Akana et al. | |
| D665,808 S | 8/2012 | Wang | |
| D666,202 S * | 8/2012 | Dinh | D14/439 |
| D669,071 S | 10/2012 | Akana et al. | |
| D677,664 S * | 3/2013 | Akana | D14/439 |
| D677,666 S * | 3/2013 | Akana | D14/439 |
| D678,261 S | 3/2013 | Akana et al. | |
| D680,092 S | 4/2013 | Tsai et al. | |
| D681,032 S | 4/2013 | Akana et al. | |
| D684,571 S | 6/2013 | Akana et al. | |
| D689,475 S | 9/2013 | Andre et al. | |
| D692,878 S | 11/2013 | Akana et al. | |
| D693,785 S | 11/2013 | Sutherland et al. | |
| D695,316 S | 12/2013 | Akana et al. | |
| D697,511 S | 1/2014 | Andre et al. | |
| D697,918 S * | 1/2014 | Akana | D14/439 |
| D699,717 S * | 2/2014 | Akana | D14/250 |

| | | | |
|-----------------|---------|------------------|---------|
| D703,633 S | 4/2014 | Akana et al. | |
| D706,253 S | 6/2014 | Simmer | |
| D707,223 S | 6/2014 | Akana et al. | |
| D710,843 S | 8/2014 | Akana et al. | |
| D714,053 S | 9/2014 | Yoo | |
| D714,294 S * | 9/2014 | Dinh | D14/439 |
| D714,771 S | 10/2014 | Rayner | |
| D716,780 S | 11/2014 | Park | |
| D716,781 S | 11/2014 | Andre et al. | |
| D721,344 S | 1/2015 | Lee et al. | |
| D723,567 S * | 3/2015 | Akana | D14/439 |
| D728,545 S | 5/2015 | Koh | |
| D730,361 S * | 5/2015 | Akana | D14/439 |
| D731,481 S | 6/2015 | Akana et al. | |
| D732,040 S | 6/2015 | Chuang et al. | |
| D732,539 S * | 6/2015 | Akana | D14/439 |
| D732,540 S * | 6/2015 | Kang | D14/439 |
| D733,146 S * | 6/2015 | Akana | D14/439 |
| D747,319 S * | 1/2016 | Lee | D14/439 |
| D747,723 S * | 1/2016 | Kim | D14/439 |
| D749,590 S * | 2/2016 | Dinh | D14/439 |
| D749,591 S * | 2/2016 | Akana | D14/439 |
| D759,008 S | 6/2016 | Akana et al. | |
| D768,637 S * | 10/2016 | Akana | D14/439 |
| D777,714 S | 1/2017 | Akana et al. | |
| D791,139 S * | 7/2017 | Akana | D14/439 |
| D801,321 S | 10/2017 | Kim et al. | |
| 2008/0316116 A1 | 12/2008 | Hobson et al. | |
| 2008/0316121 A1 | 12/2008 | Hobson et al. | |
| 2009/0247244 A1 | 10/2009 | Mittleman et al. | |
| 2013/0076965 A1 | 3/2013 | Dabov | |
| 2013/0113348 A1 | 5/2013 | Holben et al. | |

FOREIGN PATENT DOCUMENTS

| | | |
|----|-------------|---------|
| CN | 302748579 S | 2/2014 |
| CN | 303617715 S | 3/2016 |
| CN | 303647864 S | 4/2016 |
| CN | 303774339 S | 8/2016 |
| CN | 303805687 S | 8/2016 |
| CN | 304095914 S | 4/2017 |
| CN | 304095915 S | 4/2017 |
| CN | 304130421 S | 5/2017 |
| IN | 2768570001 | 2/2016 |
| JP | D1351273 S | 2/2009 |
| JP | D1474567 S | 7/2013 |
| JP | D1481759 S | 10/2013 |
| JP | D1496834 S | 5/2014 |
| JP | D1548987 S | 5/2016 |
| JP | D1563161 S | 11/2016 |
| JP | D1574816 S | 4/2017 |
| KR | 300849814 | 4/2016 |
| KR | 300902453 | 9/2017 |
| RU | 85816 | 7/2013 |
| RU | 89999 U1 | 9/2014 |
| RU | 90363 U1 | 10/2014 |
| RU | 104650 U1 | 8/2017 |
| TW | D139493 | 3/2011 |

OTHER PUBLICATIONS

Sharp Aquos S2 is a Nearly Bezel-Less Phone with Mid-Range Specs, Mashable, Aug. 8, 2017, Retrieved from the Internet< URL: <<http://mashable.com/2017/08/08/sharp-aquos-s2/#C05q3N0tzOqV>>, 2 Pages.

* cited by examiner

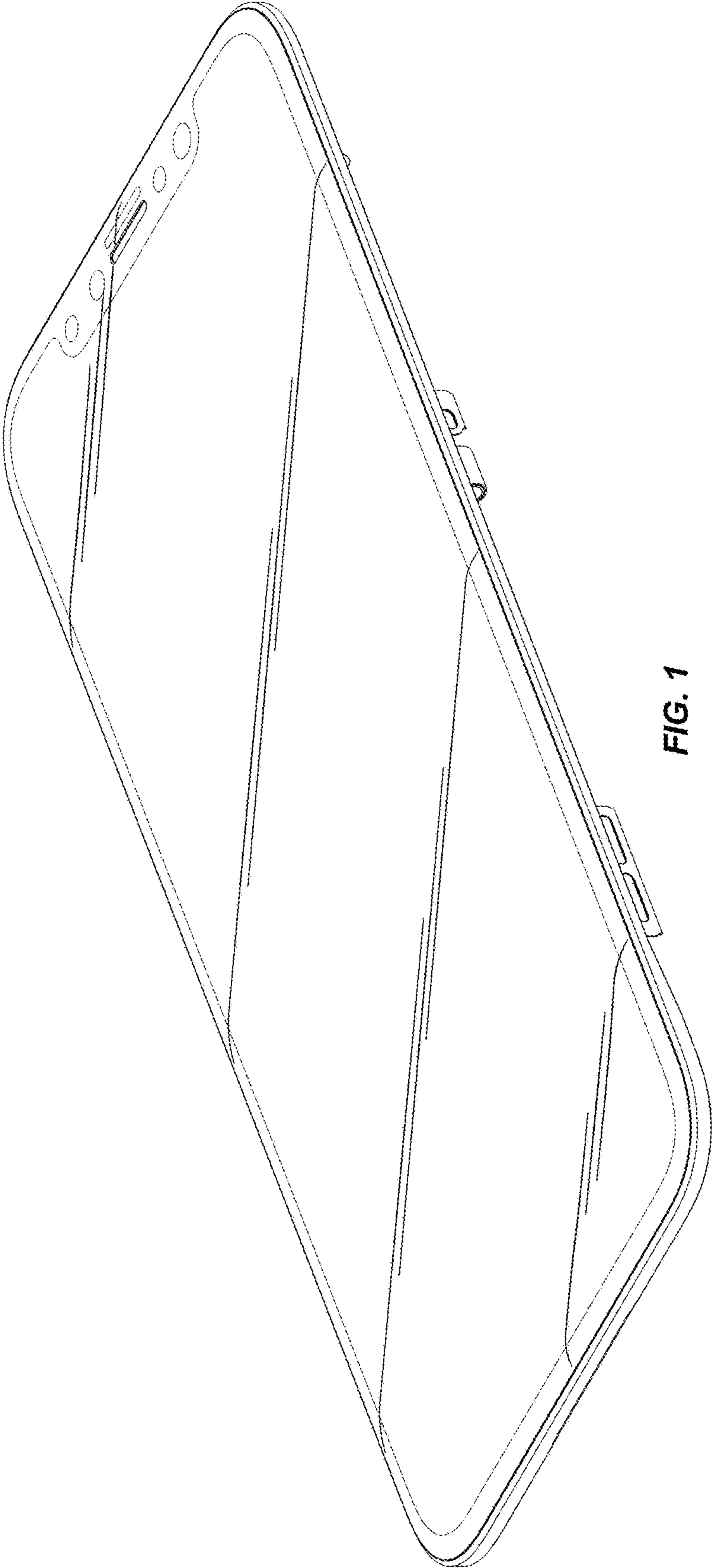


FIG. 1

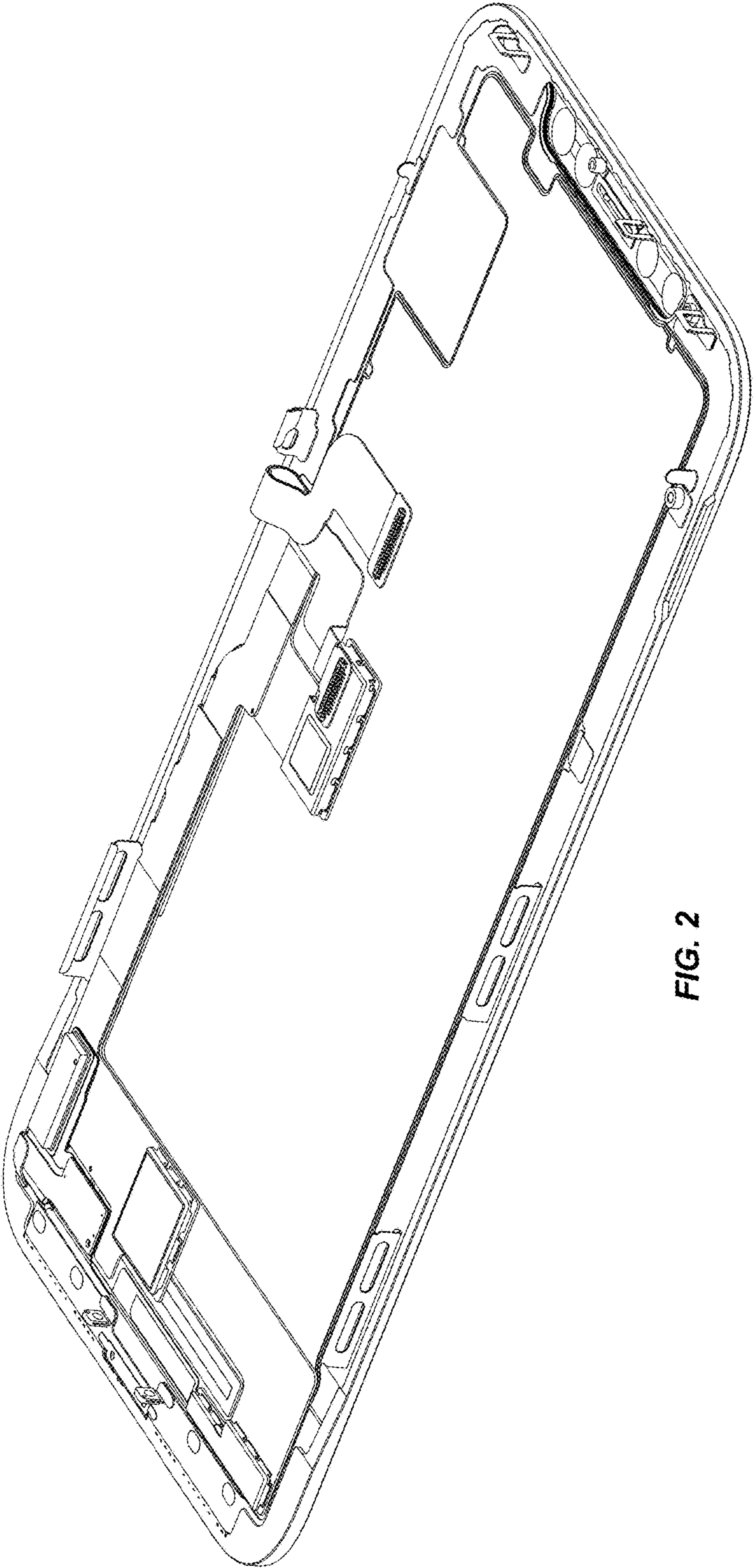


FIG. 2

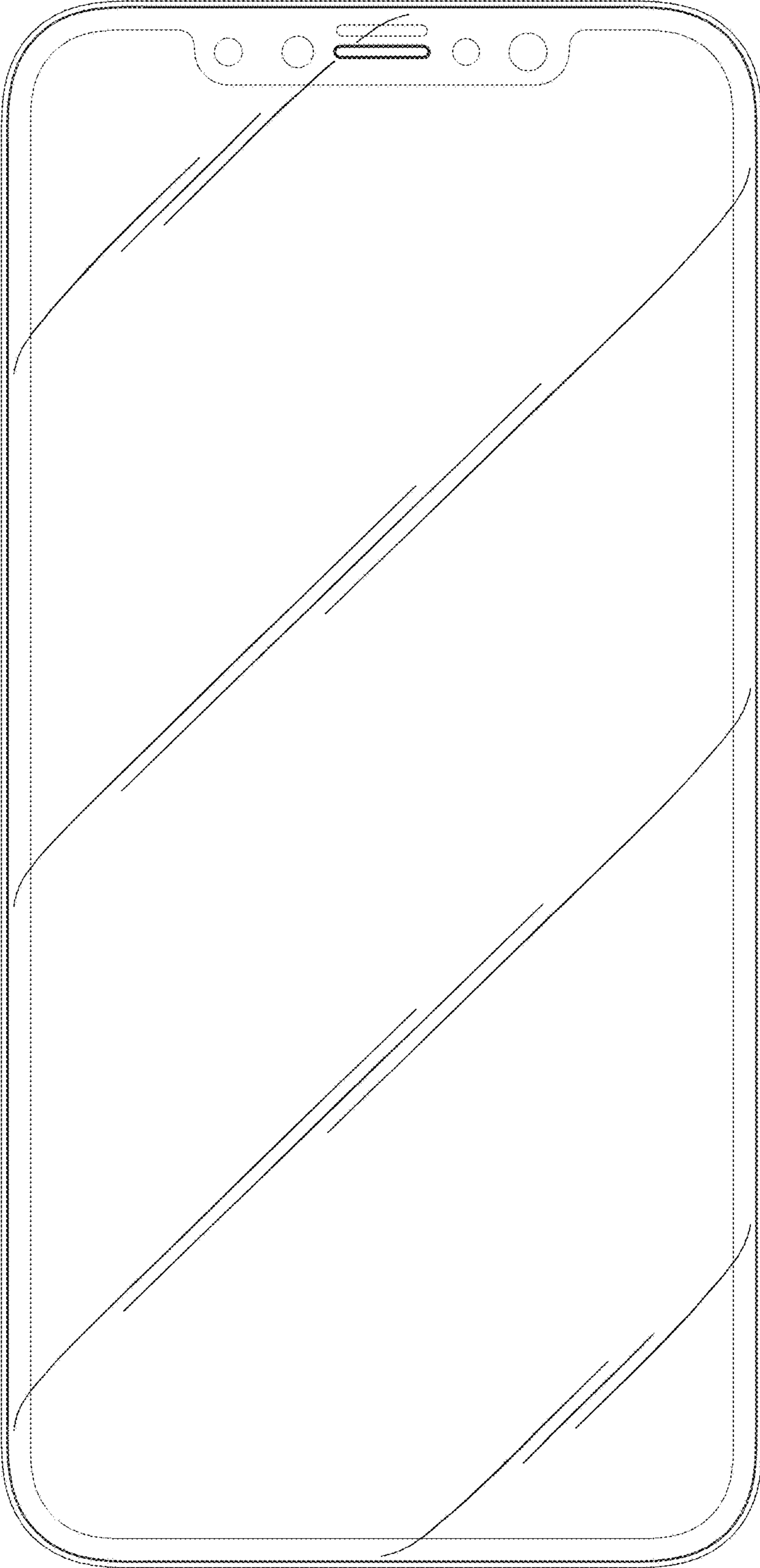


FIG. 3

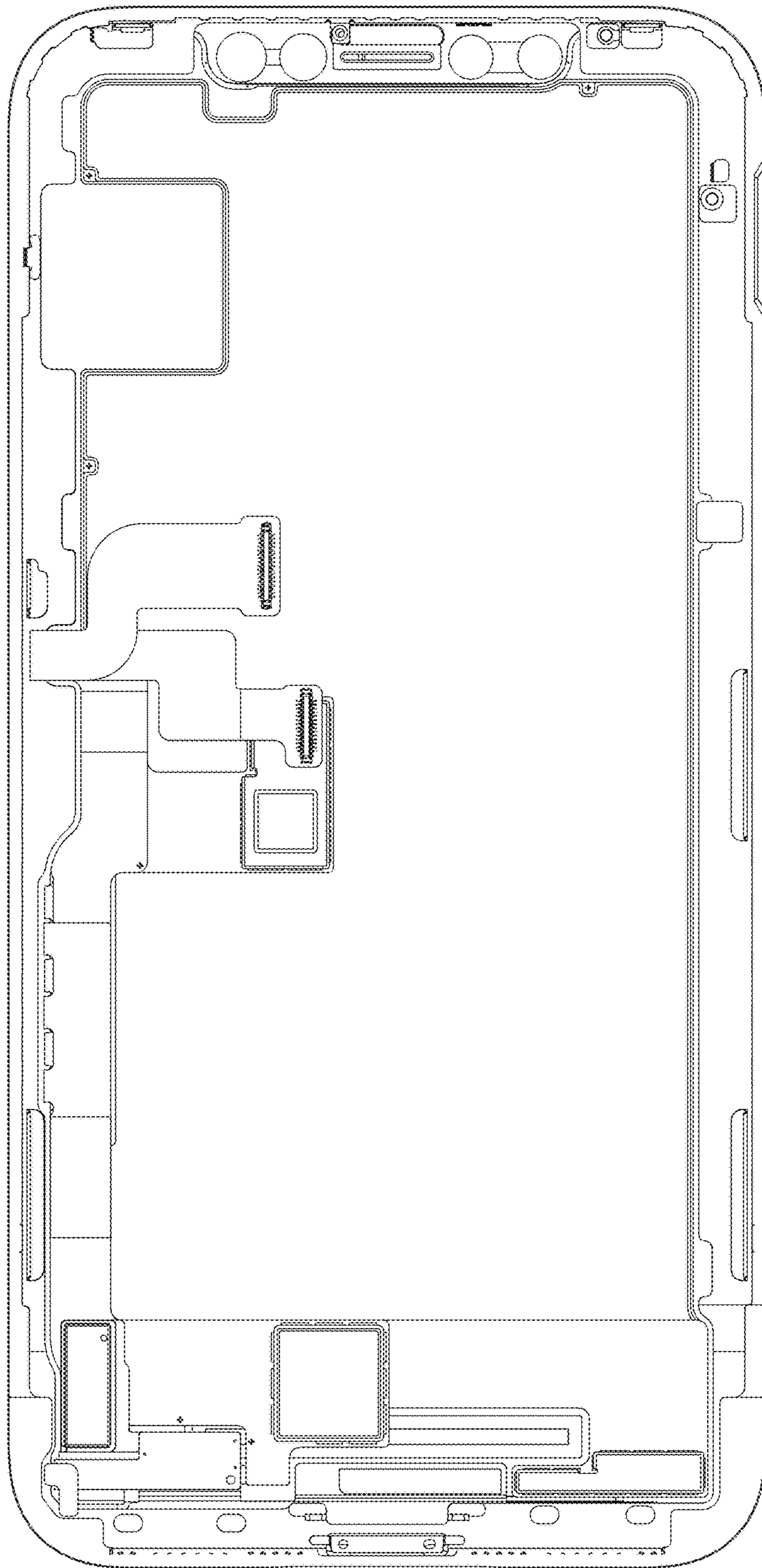


FIG. 4

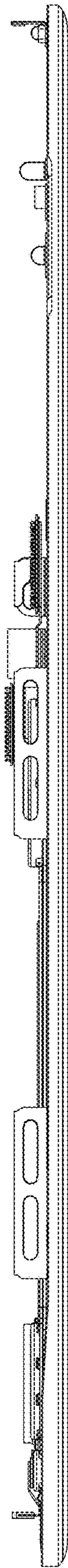


FIG. 5

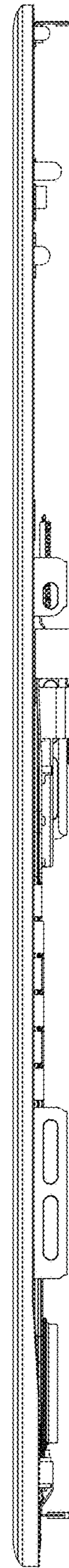


FIG. 6

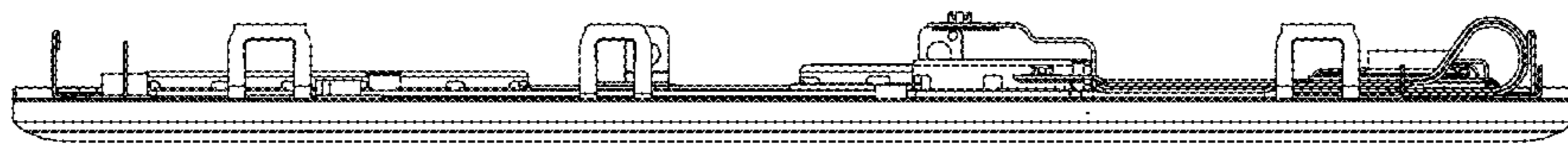


FIG. 7

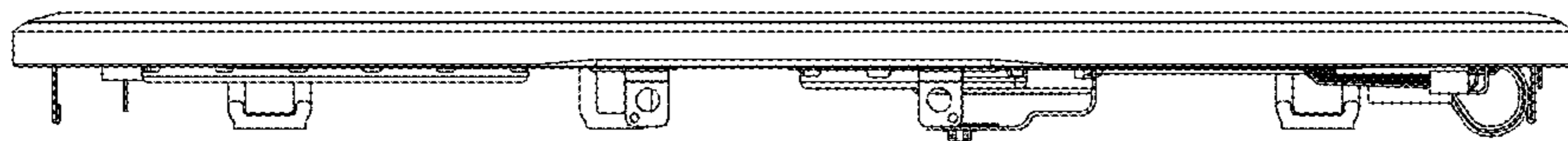


FIG. 8