



US00D832262S

(12) **United States Design Patent**  
**Kato**

(10) **Patent No.:** **US D832,262 S**

(45) **Date of Patent:** **\*\* Oct. 30, 2018**

(54) **SWITCHER**

(71) Applicant: **Elmo Co., Ltd.**, Nagoya-shi, Aichi (JP)

(72) Inventor: **Tetsuro Kato**, Nagoya (JP)

(73) Assignee: **Elmo Co., Ltd.**, Nagoya-shi (JP)

(\*\*) Term: **15 Years**

(21) Appl. No.: **29/584,439**

(22) Filed: **Nov. 15, 2016**

(30) **Foreign Application Priority Data**

Jul. 29, 2016 (JP) ..... D2016-016228

(51) **LOC (11) Cl.** ..... **14-02**

(52) **U.S. Cl.**  
USPC ..... **D14/433**

(58) **Field of Classification Search**  
USPC ..... D14/432, 433, 358  
CPC ..... H01M 10/44  
See application file for complete search history.

(56) **References Cited**

**U.S. PATENT DOCUMENTS**

D372,024 S	*	7/1996	Carlson, Jr.	.....	D14/432
D516,074 S	*	2/2006	Ho	.....	D14/433
D678,286 S	*	3/2013	Cheng	.....	D14/433
D702,686 S	*	4/2014	Gerber	.....	D14/433
D705,189 S	*	5/2014	Chovin	.....	D14/159

D793,399 S	*	8/2017	Feldstein	.....	D14/433
D794,029 S	*	8/2017	Lin	.....	D14/433
D806,027 S	*	12/2017	Ceravalo	.....	D13/110
D821,374 S	*	6/2018	Jun	.....	D14/242
D821,393 S	*	6/2018	Matsumiya	.....	D14/358

**OTHER PUBLICATIONS**

Office Action dated Feb. 2, 2017 issued in corresponding JP patent application No. 2016-016228 (and English translation).

\* cited by examiner

*Primary Examiner* — Cynthia R Underwood

(74) *Attorney, Agent, or Firm* — Posz Law Group, PLC

(57) **CLAIM**

The ornamental design for a switcher, as shown and described.

**DESCRIPTION**

FIG. 1 is a front, bottom, and right side perspective view of a switcher.

FIG. 2 is a front view of the switcher.

FIG. 3 is a rear view of the switcher.

FIG. 4 is a right side view of the switcher.

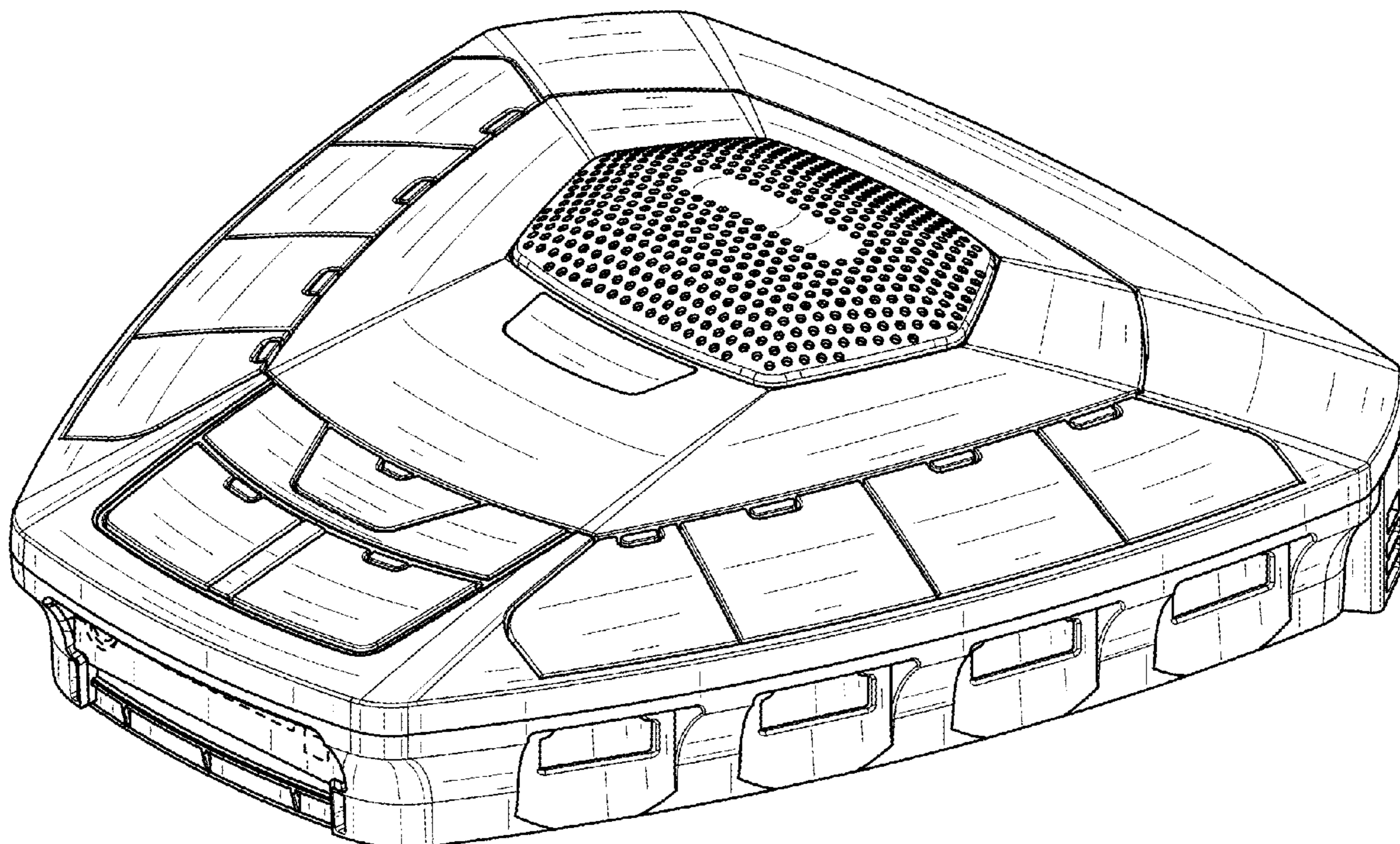
FIG. 5 is a left side view of the switcher.

FIG. 6 is a top view of the switcher; and,

FIG. 7 is a bottom view of the switcher.

The broken lines shown in the figures are included for the purpose of illustrating portions of the switcher and form no part of the claimed design.

**1 Claim, 7 Drawing Sheets**



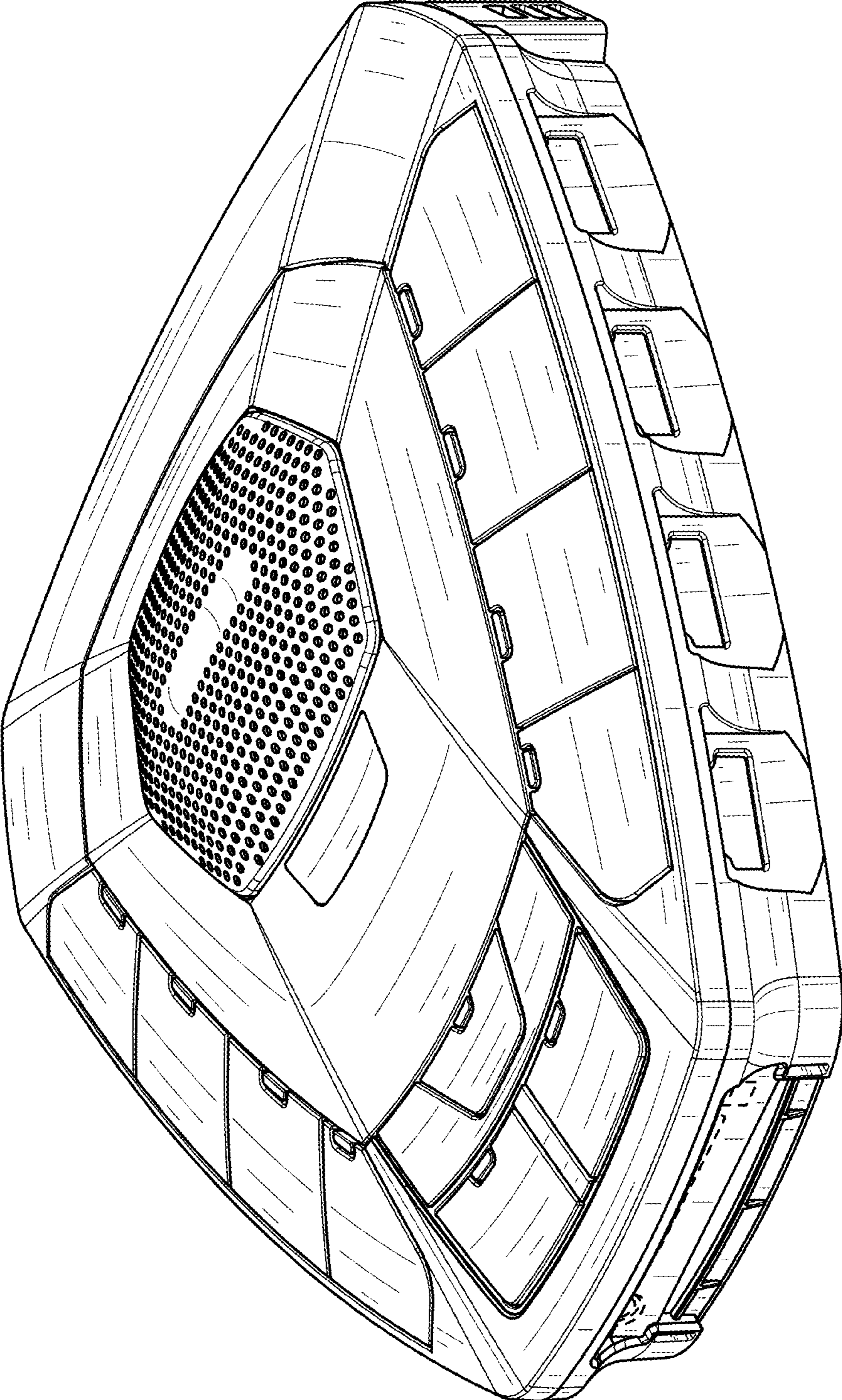


FIG. 1



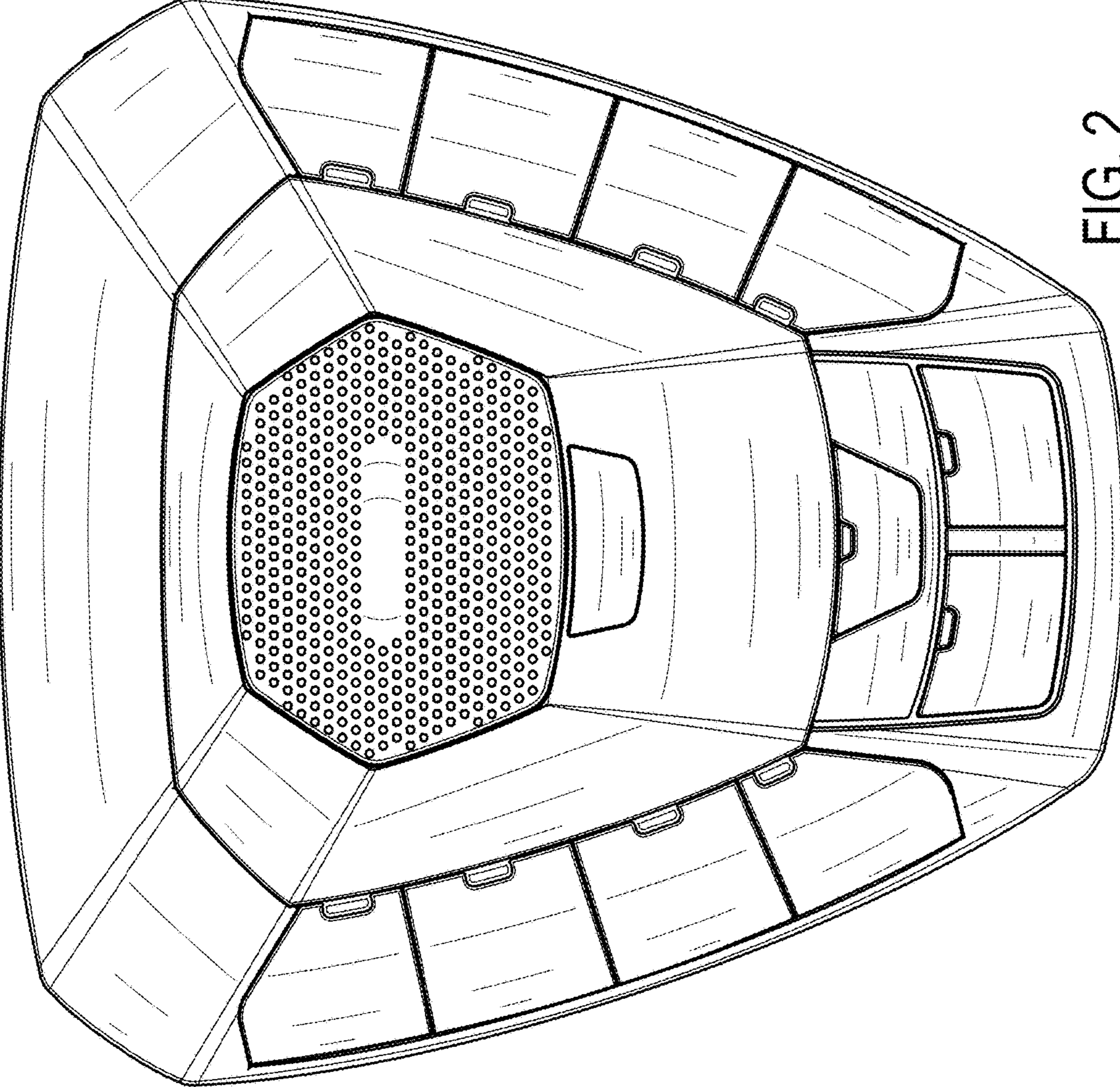


FIG. 2

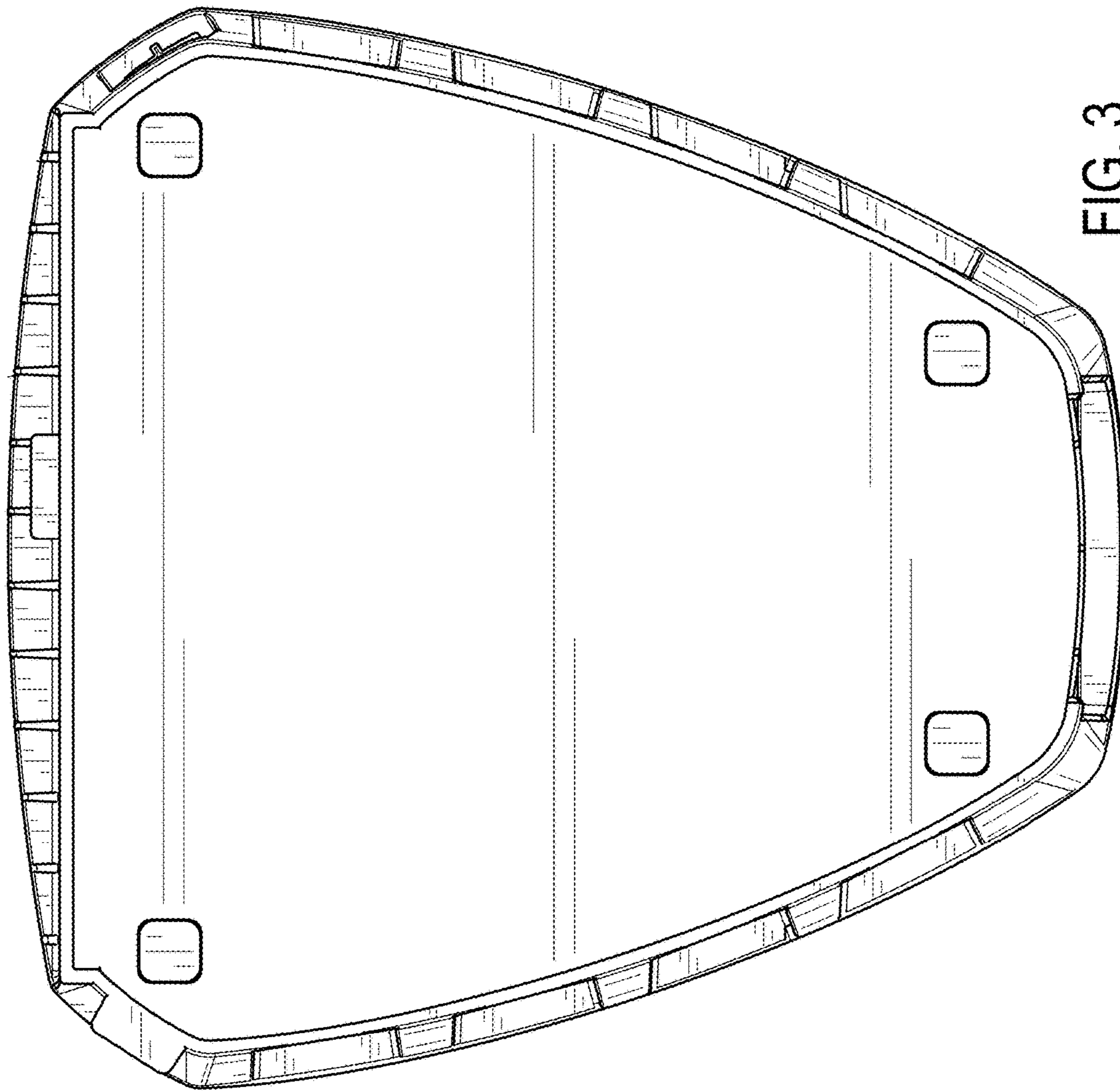


FIG. 3

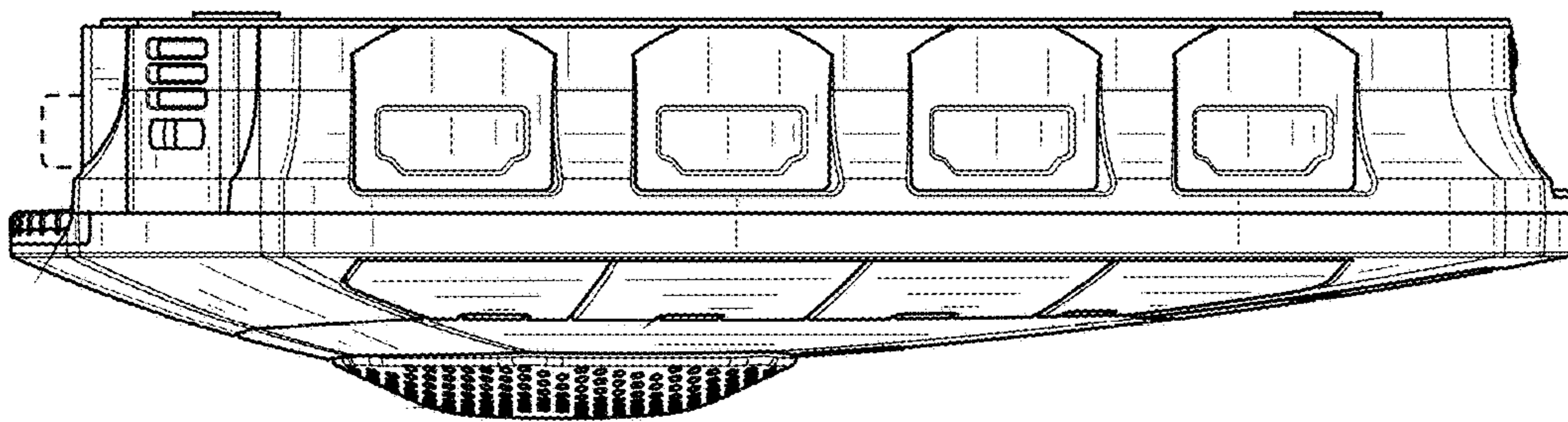


FIG. 4

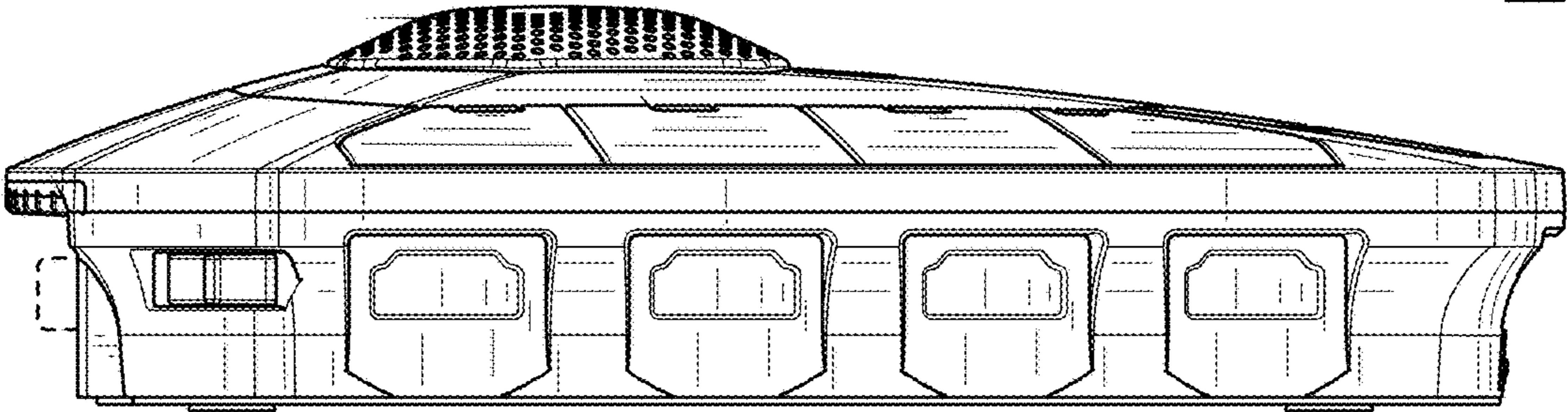


FIG. 5

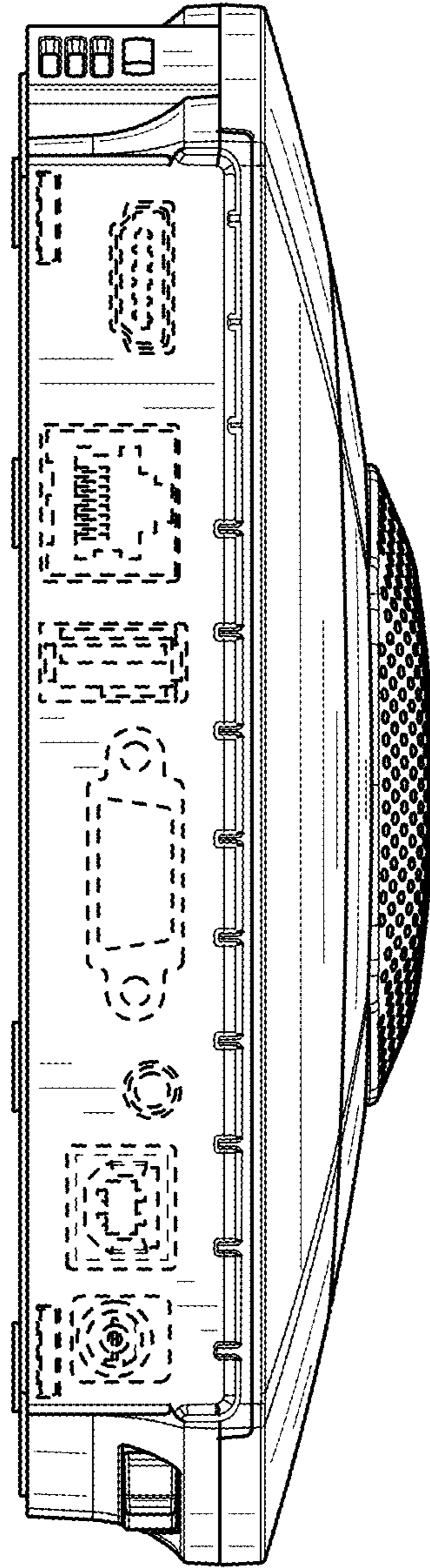


FIG. 6



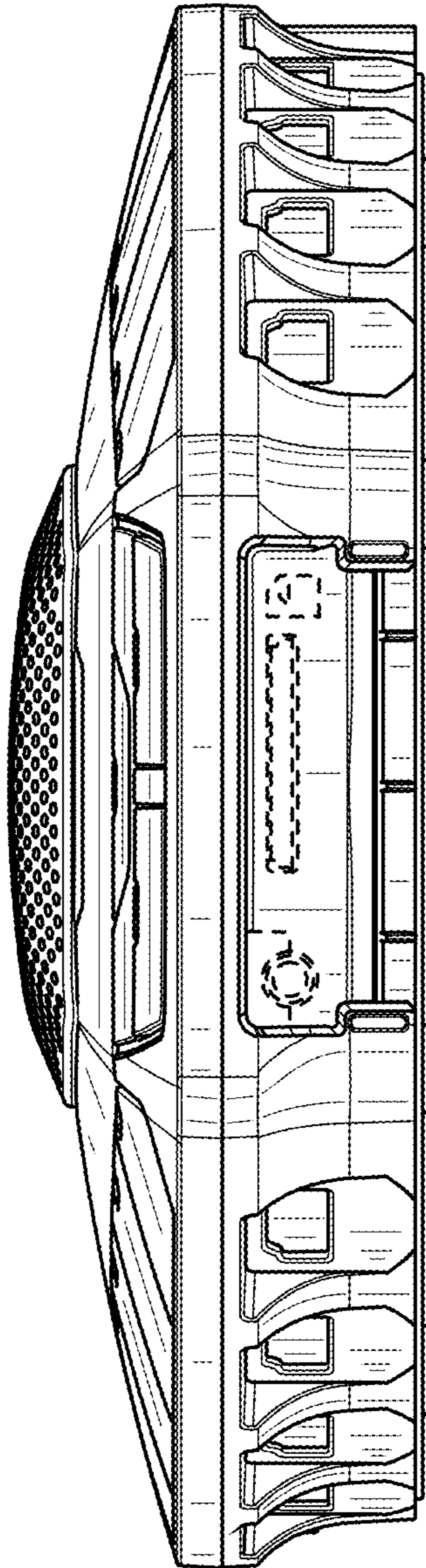


FIG. 7