



US00D832261S

(12) **United States Design Patent** (10) **Patent No.:** **US D832,261 S**
Mielnik et al. (45) **Date of Patent:** **** Oct. 30, 2018**

(54) **DISTRIBUTED CONTROL SYSTEM
MODULE-MOUNTING BASE**

(71) Applicant: **ABB Schweiz AG**, Baden (SE)
(72) Inventors: **David Mielnik**, Painesville, OH (US);
John Piunno, Painesville, OH (US);
Thomas Heilman, Wickliffe, OH (US);
Richard Ogorek, Sagamore Hills, OH
(US); **Mike J. Maczuzak**, Bratenahl,
OH (US); **Krzysztof Miedza**, Bay
Village, OH (US); **Dan Morgan**,
Cleveland, OH (US)

(73) Assignee: **ABB Schweiz AG**, Baden (CH)

(**) Term: **15 Years**

(21) Appl. No.: **29/578,523**

(22) Filed: **Sep. 22, 2016**

Related U.S. Application Data

(62) Division of application No. 29/513,217, filed on Dec.
29, 2014, now Pat. No. Des. 769,246.

(51) **LOC (11) Cl.** **14-02**

(52) **U.S. Cl.**
USPC **D14/433**

(58) **Field of Classification Search**
USPC D14/356, 432-434, 453, 454, 511, 203.8,
D14/209.1, 238.1, 240, 125; 439/638,
439/928, 105, 502; 710/303, 304;
361/679.41, 679.55, 679.56; D13/110,
D13/133, 146, 123, 162
CPC ... H04L 12/2832; H04L 12/2838; G06F 3/00;
G06F 5/00; G06F 13/14

See application file for complete search history.

(56) **References Cited**

U.S. PATENT DOCUMENTS

D288,685 S	3/1987	Arai et al.	
D374,663 S	10/1996	Rodrigues	
D375,084 S *	10/1996	Hamada	D13/162
D413,572 S	9/1999	Byrd et al.	
5,984,734 A *	11/1999	Piper	H01R 29/00 439/715
6,185,095 B1	2/2001	Helot et al.	
6,257,936 B1 *	7/2001	Strandberg	H01R 31/005 439/715
6,456,495 B1 *	9/2002	Wieloch	H05K 7/1468 312/215
D468,258 S	1/2003	Guo et al.	
D488,815 S	4/2004	Hashimoto	
D525,197 S	7/2006	Tanabe et al.	

(Continued)

Primary Examiner — Austin Murphy
(74) *Attorney, Agent, or Firm* — Taft Stettinius &
Hollister LLP; J. Bruce Schelkopf

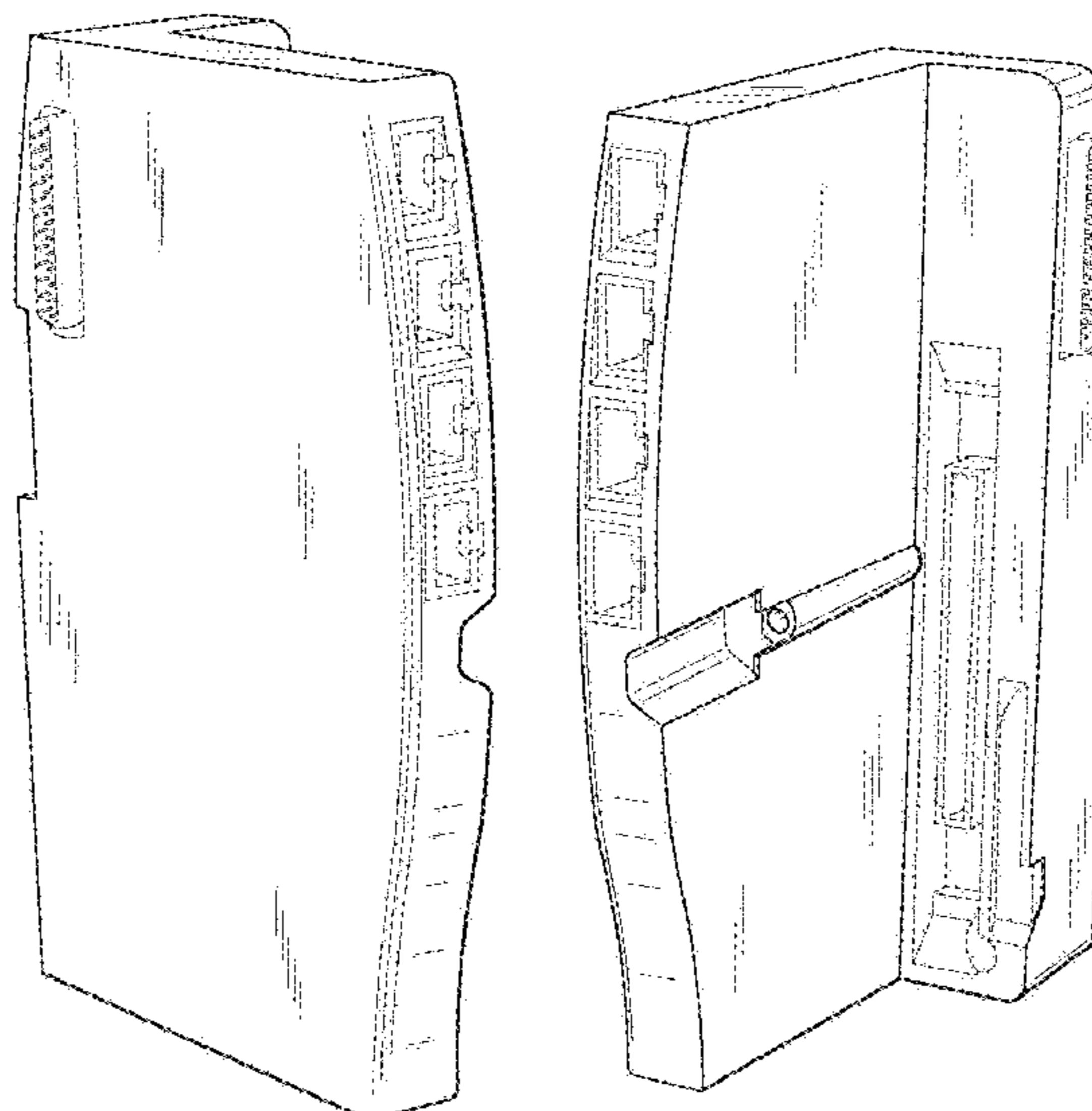
(57) **CLAIM**

The ornamental design of a distributed control system
module-mounting base, substantially as shown and
described.

DESCRIPTION

FIG. 1 is a front and left side perspective view of a
distributed control system module-mounting base in accor-
dance with the present invention;
FIG. 2 is a front and right side perspective view of the
distributed control system module-mounting base in FIG. 1;
FIG. 3 is a front elevation view thereof;
FIG. 4 is a top plan view thereof;
FIG. 5 is a right side elevation view thereof;
FIG. 6 is a left side elevation view thereof;
FIG. 7 is a rear elevation view thereof; and,
FIG. 8 is a bottom plan view thereof.
The features shown in broken lines in the various Figs. are
for illustrating environmental structure and form no part of
the claimed design.

1 Claim, 3 Drawing Sheets



(56)

References Cited

U.S. PATENT DOCUMENTS

D532,378	S	*	11/2006	Kesler	D13/147
D539,852	S		4/2007	Hussaini	
D605,119	S	*	12/2009	Pape	D13/123
D605,120	S	*	12/2009	Pape	D13/123
D609,195	S	*	2/2010	Yamashita	D13/162
D669,855	S		10/2012	Correll et al.	
D688,248	S	*	8/2013	Tsuda	D14/433
D691,141	S		10/2013	Cruz	
D702,242	S	*	4/2014	Tsuda	D14/433
D717,803	S	*	11/2014	Takano	D14/433
D726,182	S		4/2015	Durham	
D735,667	S	*	8/2015	Mielnik	D13/123
D739,353	S		9/2015	Mielnik et al.	
D740,291	S	*	10/2015	Turksu	D14/433
D742,881	S	*	11/2015	Takano	D14/432
D742,882	S	*	11/2015	Takano	D14/432
D744,487	S	*	12/2015	Takano	D14/432
D765,031	S	*	8/2016	Mielnik	D13/123
D769,246	S	*	10/2016	Mielnik	D14/433
D785,632	S	*	5/2017	VanDuyn	D14/433
D794,028	S	*	8/2017	Lin	D14/433
D796,448	S	*	9/2017	Mielnik	D13/147

* cited by examiner

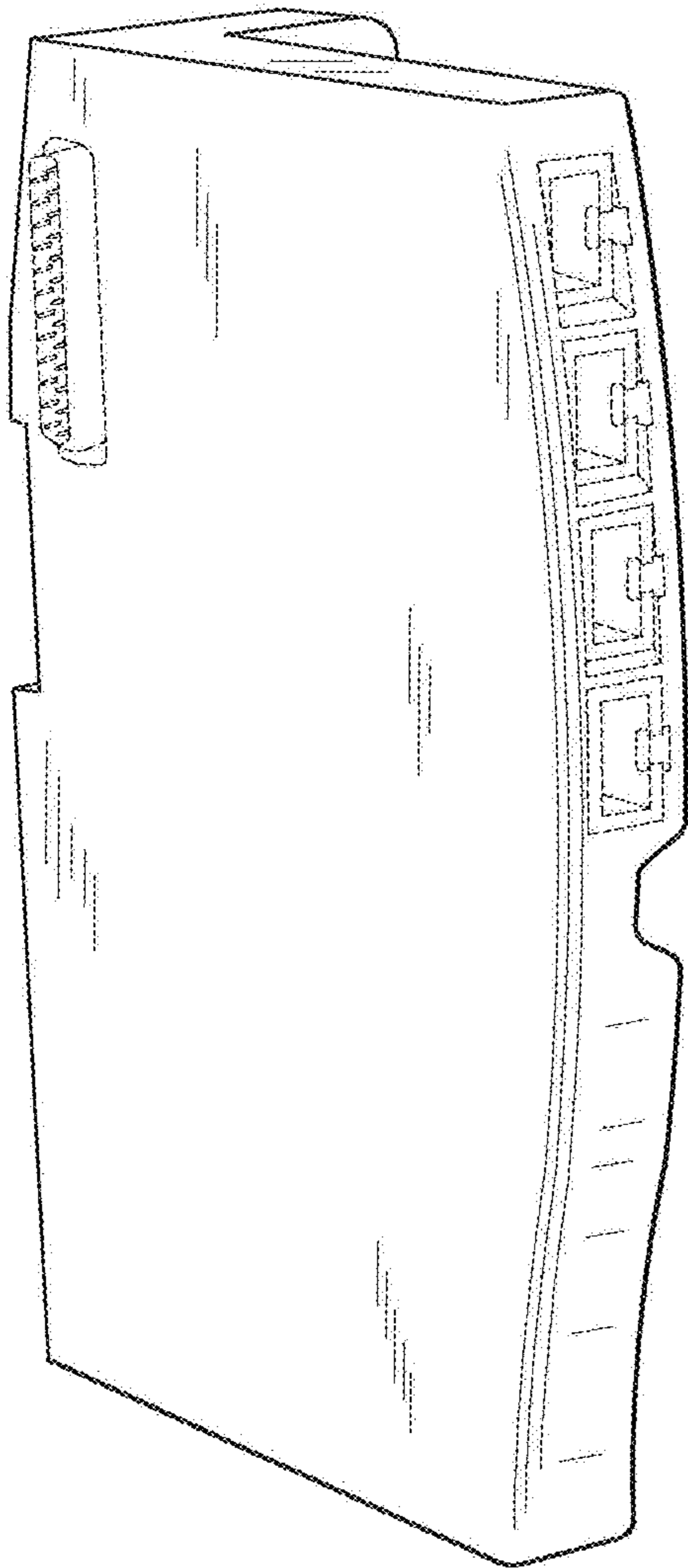


Fig. 1

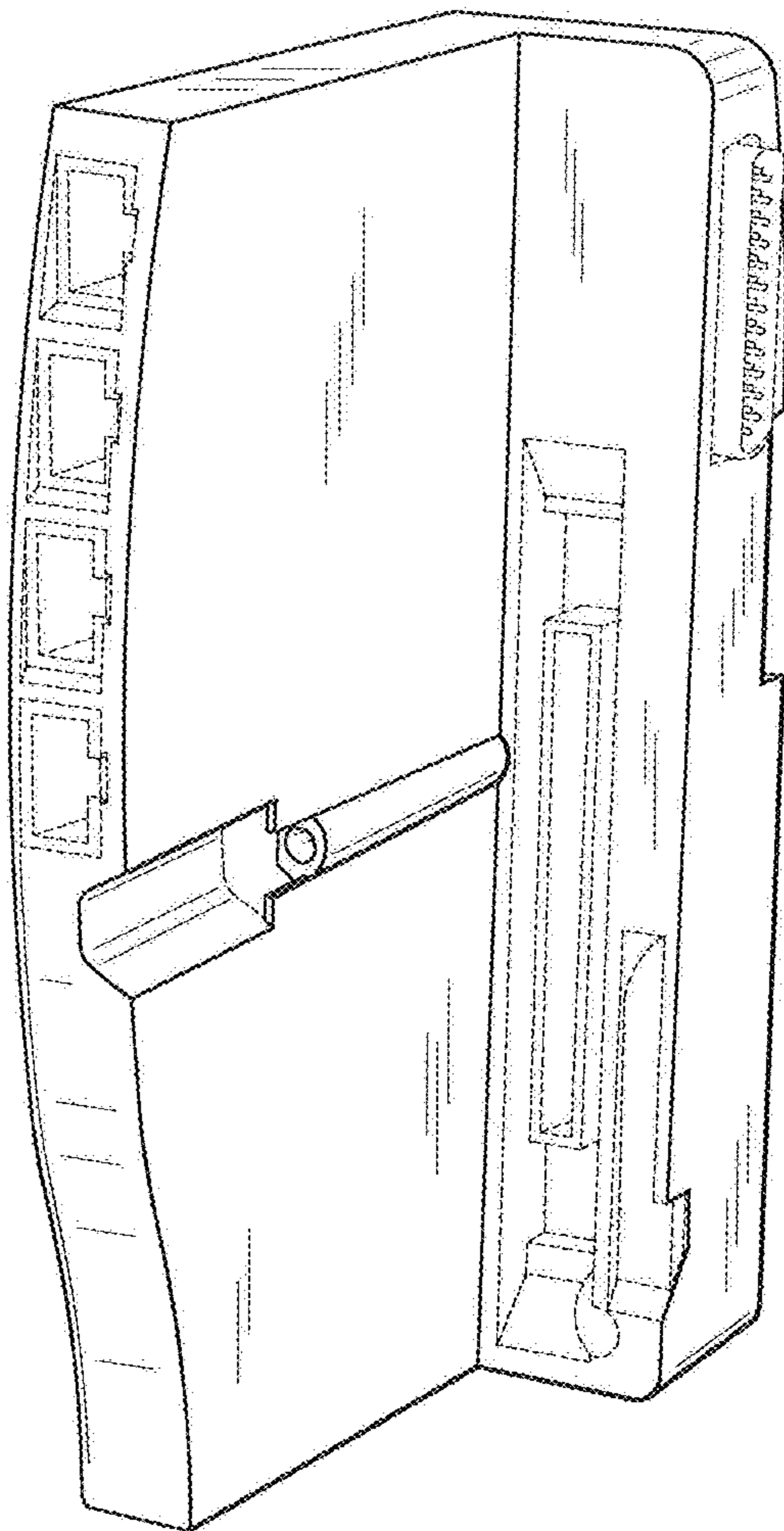


Fig. 2

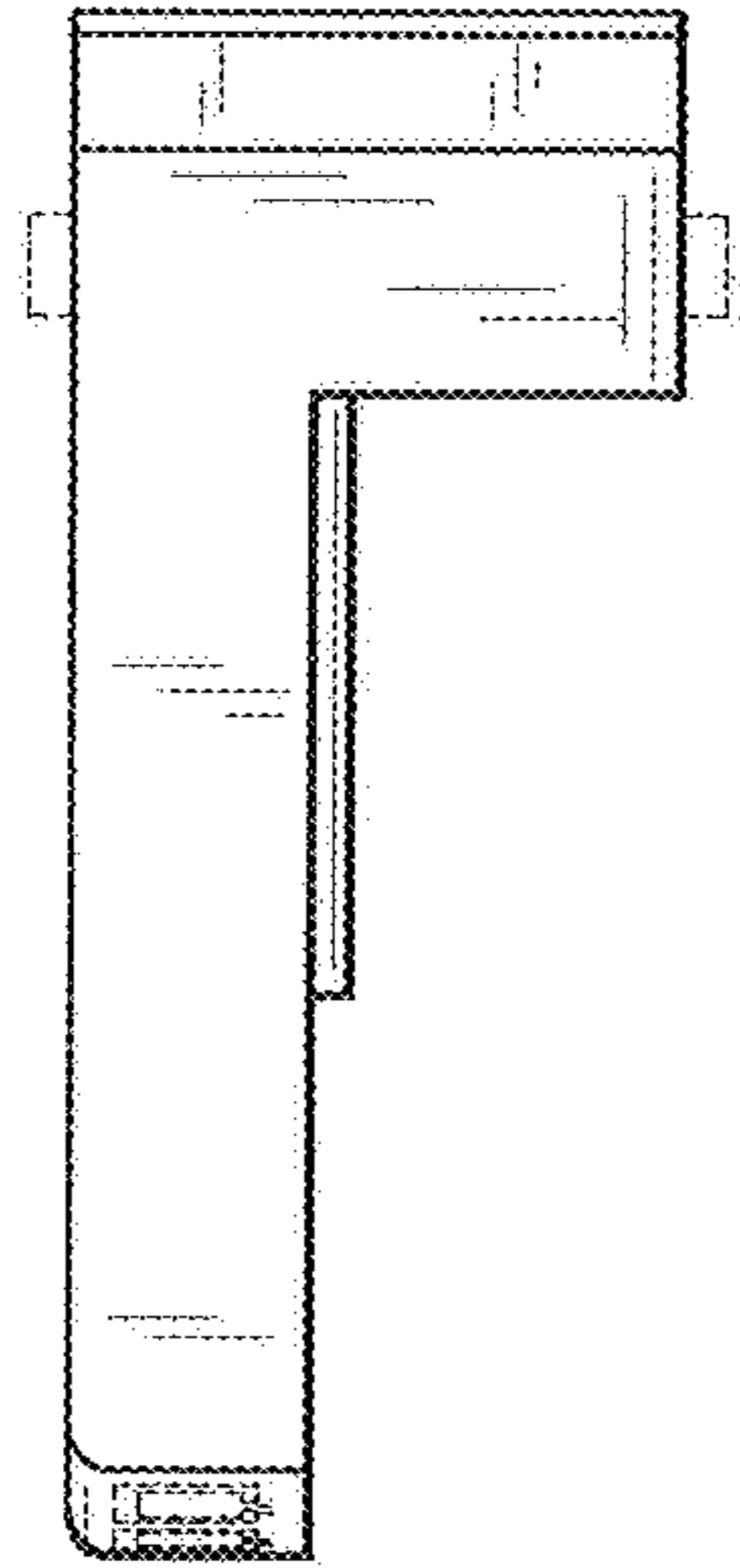


Fig. 4

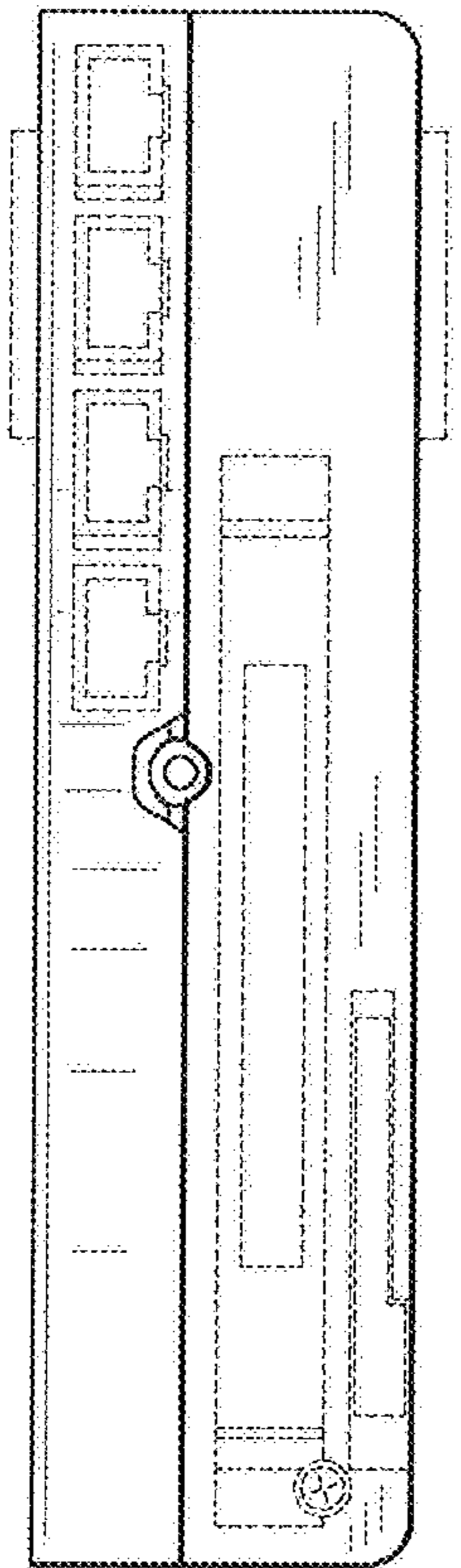


Fig. 3

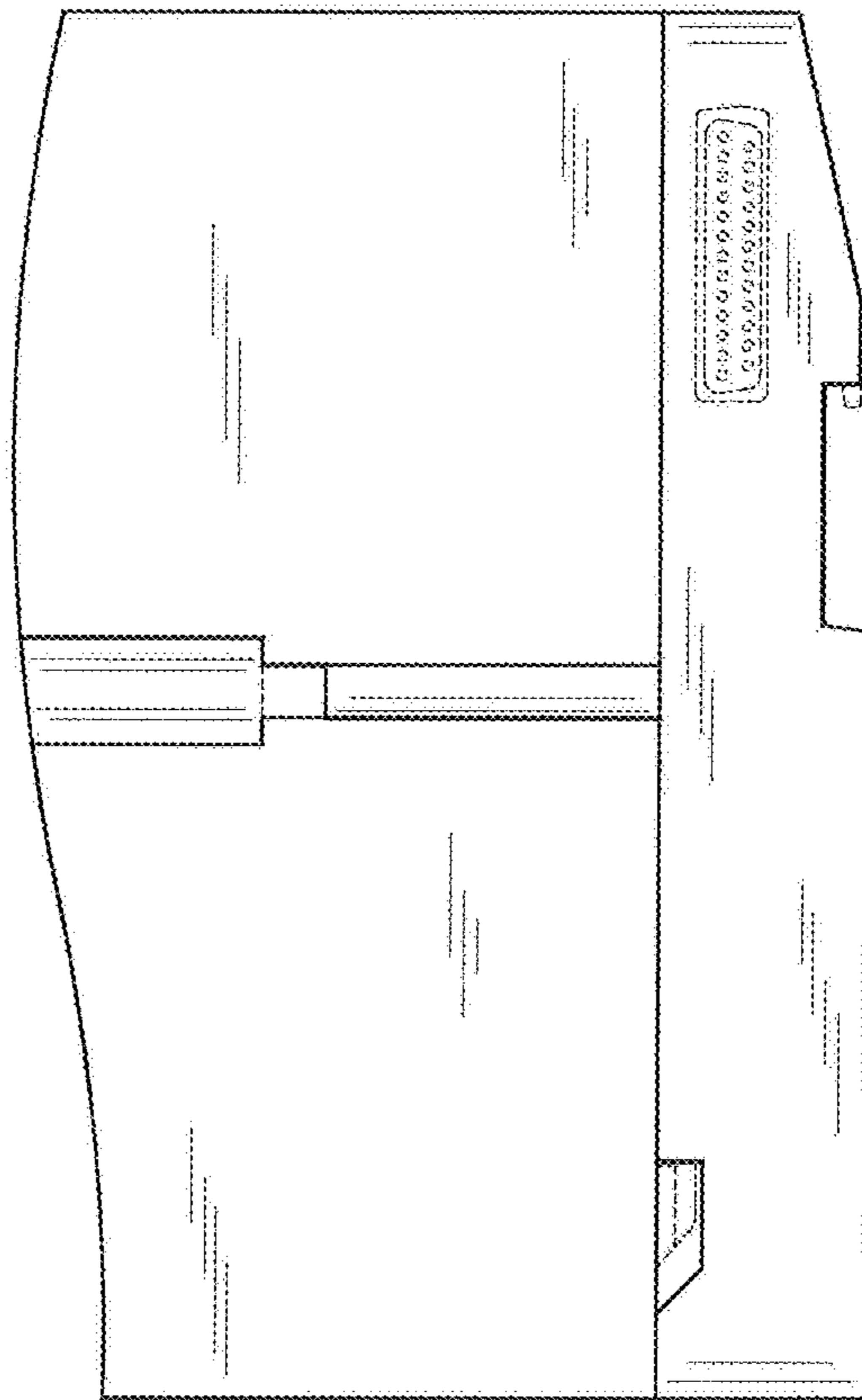


Fig. 5

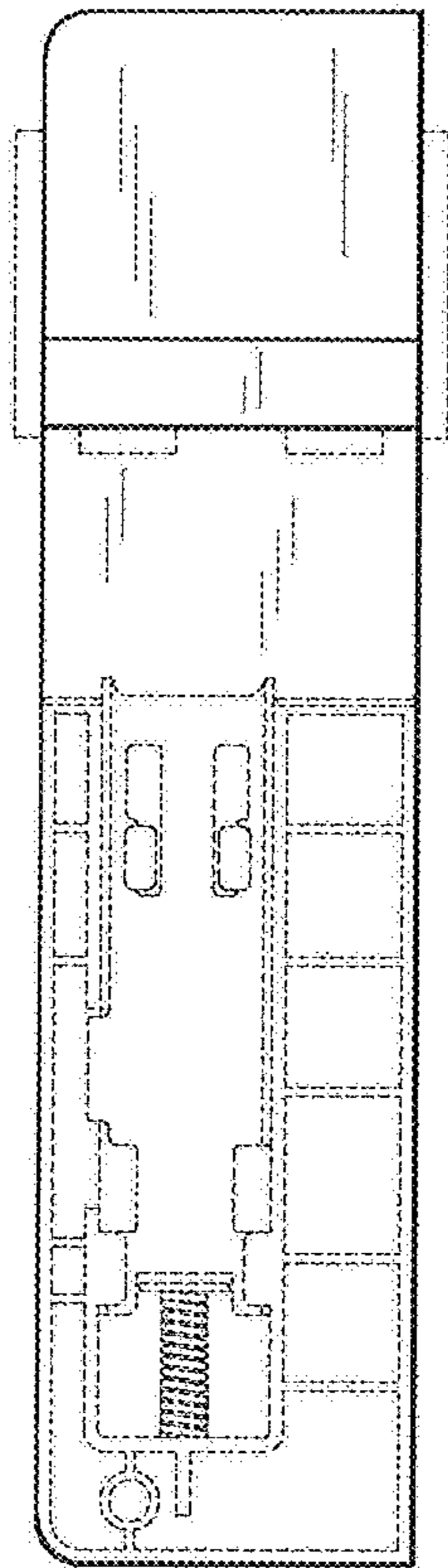


Fig. 7

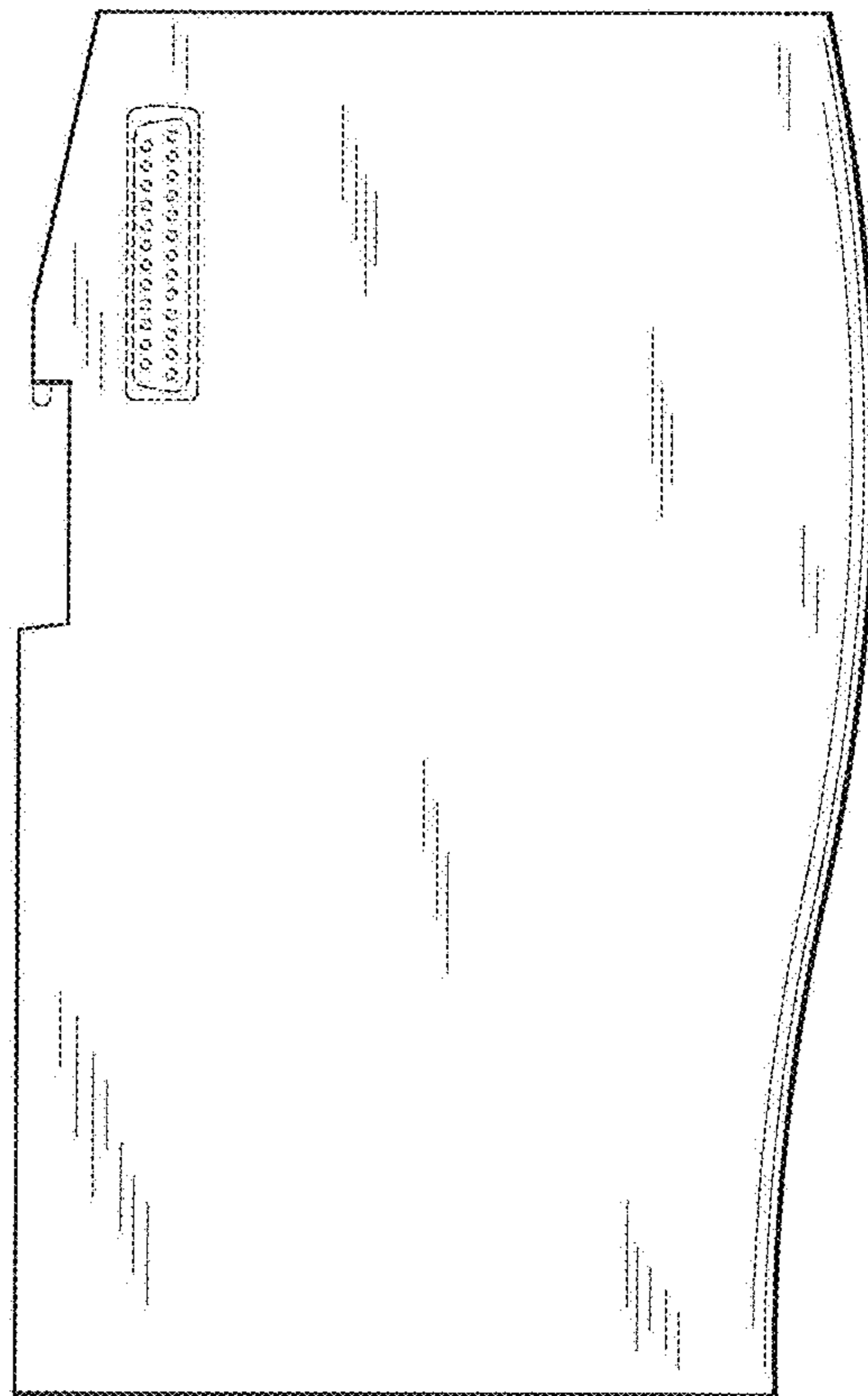


Fig. 6

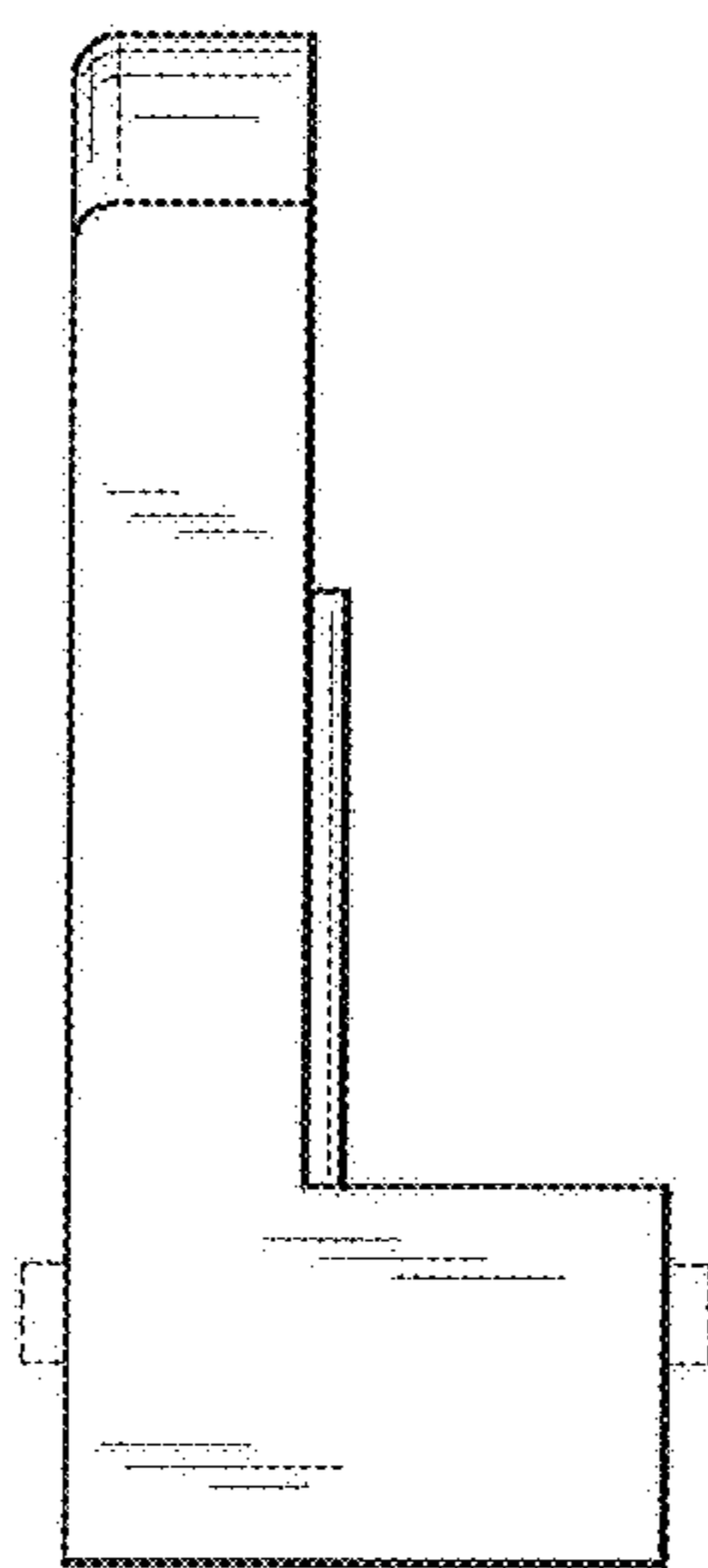


Fig. 8