



US00D832260S

(12) **United States Design Patent** (10) **Patent No.:** **US D832,260 S**  
**Hutton et al.** (45) **Date of Patent:** **\*\* Oct. 30, 2018**

(54) **USB HUB**

(56) **References Cited**

(71) Applicant: **Herman Miller, Inc.**, Zeeland, MI (US)

U.S. PATENT DOCUMENTS

(72) Inventors: **Robert Hutton**, Providence, RI (US);  
**Ayako Takase**, Providence, RI (US);  
**Robert Roth**, Holland, MI (US)

D709,504 S *	7/2014	Breines .....	D14/433
D730,903 S *	6/2015	Langhammer .....	D14/433
D733,142 S *	6/2015	Solomon .....	D14/433
D755,790 S *	5/2016	Salvatori .....	D14/433
D756,817 S *	5/2016	Fries .....	D10/78
D772,878 S *	11/2016	Chiang .....	D14/433
D776,659 S *	1/2017	Hou .....	D14/433
D782,485 S *	3/2017	Cai .....	D14/433
D784,340 S *	4/2017	Laffon de Mazieres ....	D14/433
D808,392 S *	1/2018	Bo .....	D14/433

(73) Assignee: **HERMAN MILLER, INC.**, Zeeland, MI (US)

(\*\*) Term: **15 Years**

\* cited by examiner

(21) Appl. No.: **29/567,566**

*Primary Examiner* — Austin Murphy

(22) Filed: **Jun. 10, 2016**

(74) *Attorney, Agent, or Firm* — Michael Best & Friedrich LLP

(51) **LOC (11) Cl.** ..... **14-02**

(52) **U.S. Cl.**  
USPC ..... **D14/433**

(57) **CLAIM**

We claim the ornamental design for a USB hub, as shown and described.

(58) **Field of Classification Search**

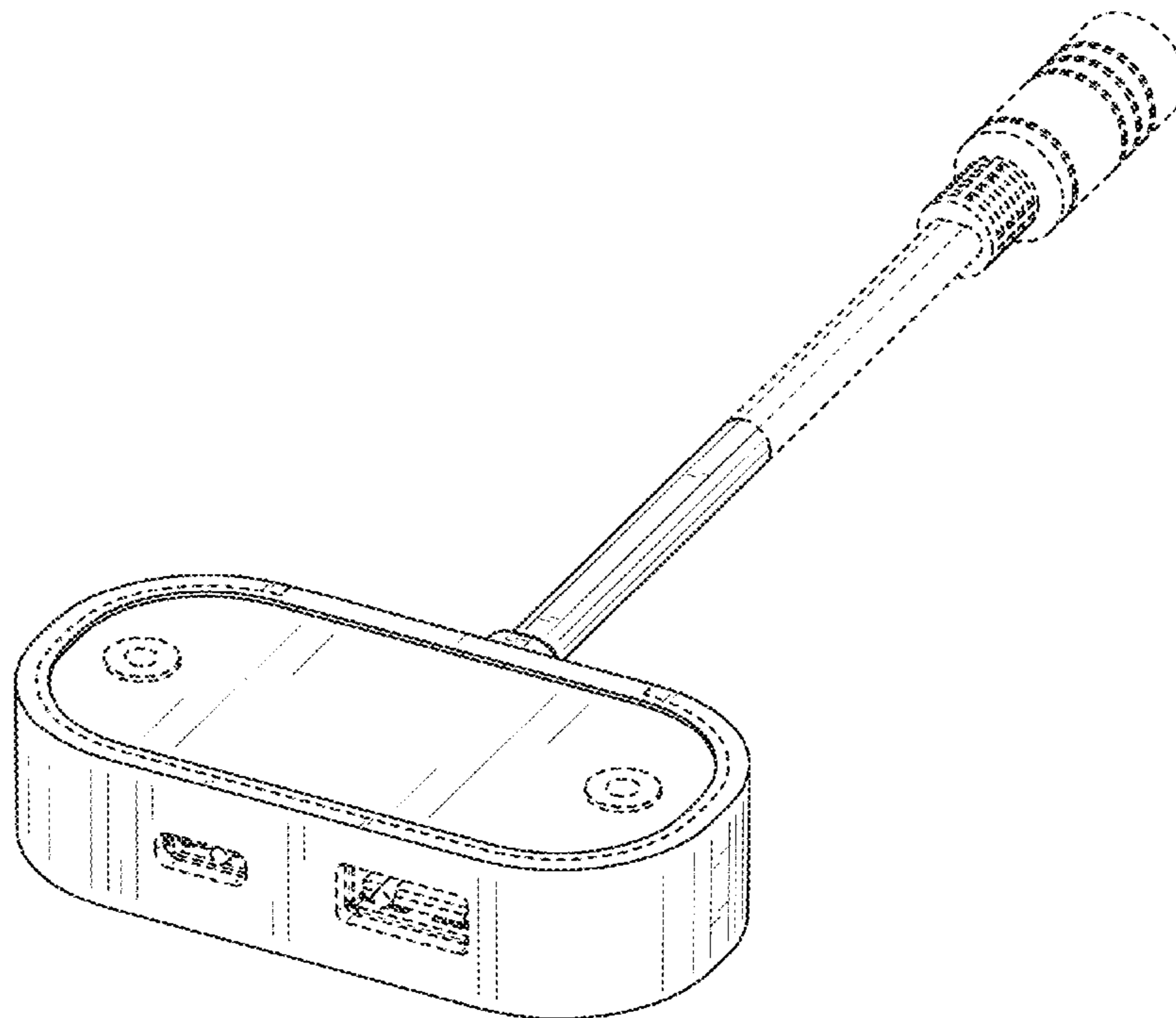
**DESCRIPTION**

USPC ..... D14/240, 242, 356, 358, 363, 365, 367,  
D14/370, 432–437, 439, 498, 125, 366,  
D14/168, 496; D13/147, 164, 123, 133,  
D13/146, 110, 199, 103, 162, 159, 160,  
D13/184; 361/683, 684, 686, 724, 735,  
361/737, 752; D18/40  
CPC .... H01R 25/006; H01R 27/02; H01R 31/005;  
G06F 13/4022; G06F 13/382; G06F  
1/1632; G06F 1/1684; G06F 1/20; G06F  
1/1607

FIG. 1 is a top perspective view of a USB hub.  
FIG. 2 is a front view of the USB hub of FIG. 1.  
FIG. 3 is a rear view of the USB hub of FIG. 1.  
FIG. 4 is a first side view of the USB hub of FIG. 1.  
FIG. 5 is a second side view of the USB hub of FIG. 1.  
FIG. 6 is a top view of the USB hub of FIG. 1; and,  
FIG. 7 is a bottom view of the USB hub of FIG. 1.  
Portions of the USB hub shown in broken lines form no part of the claimed design.

See application file for complete search history.

**1 Claim, 7 Drawing Sheets**



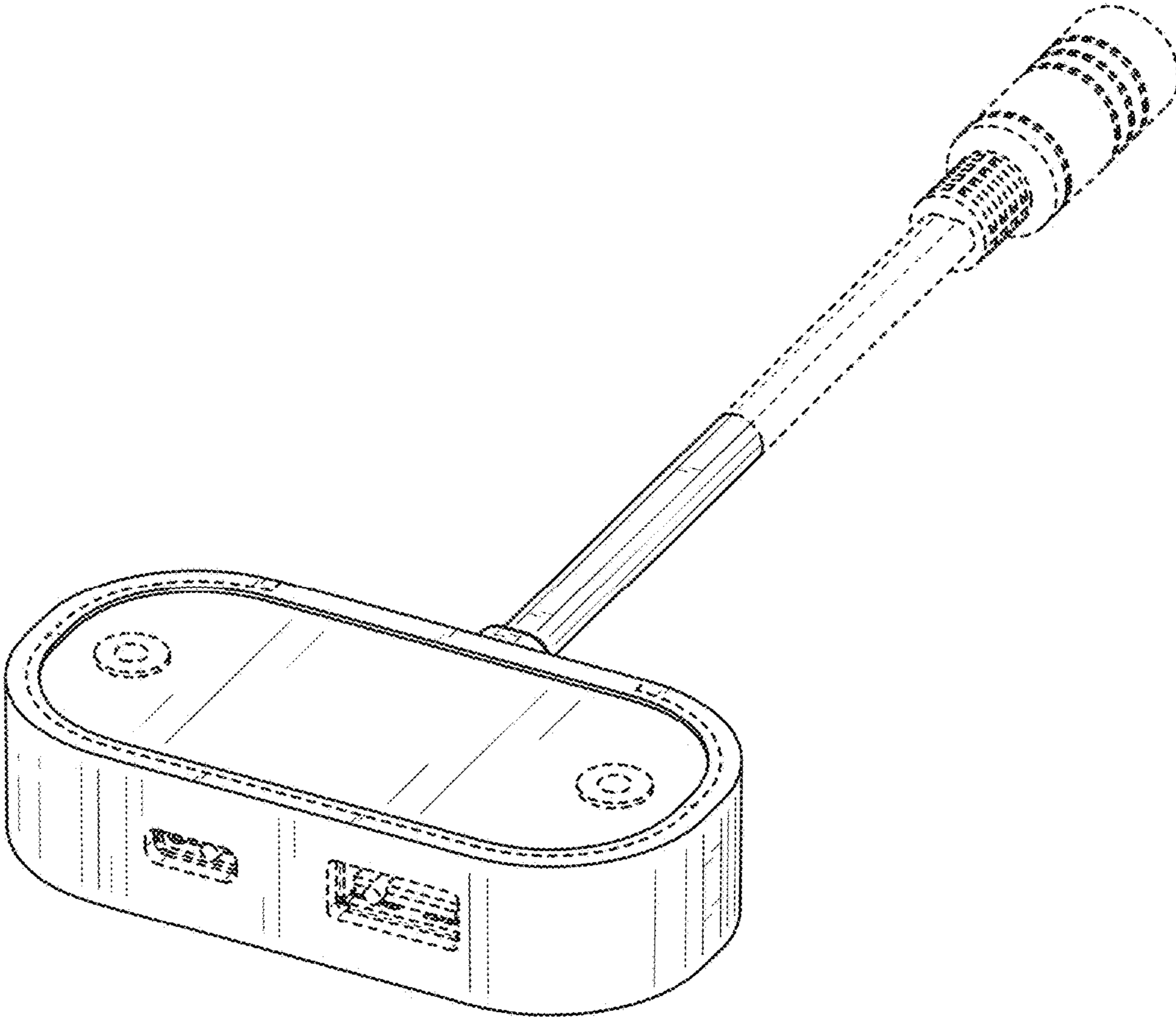


FIG. 1

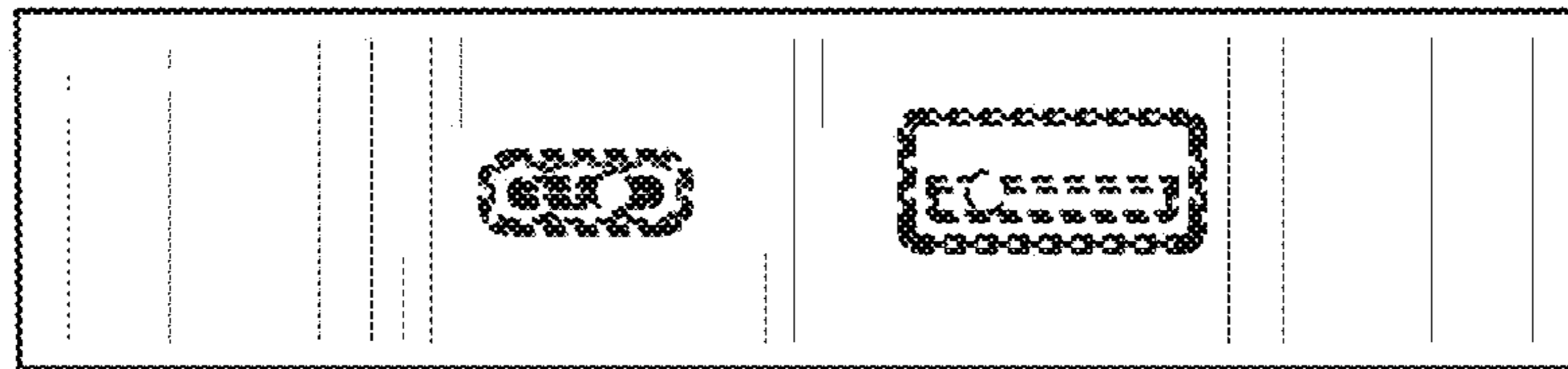


FIG. 2

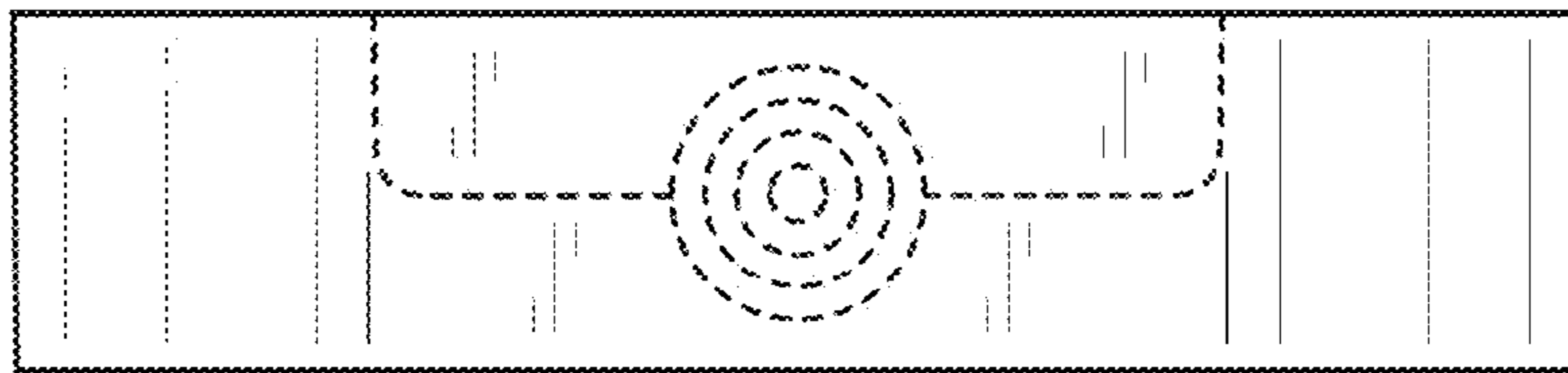


FIG. 3

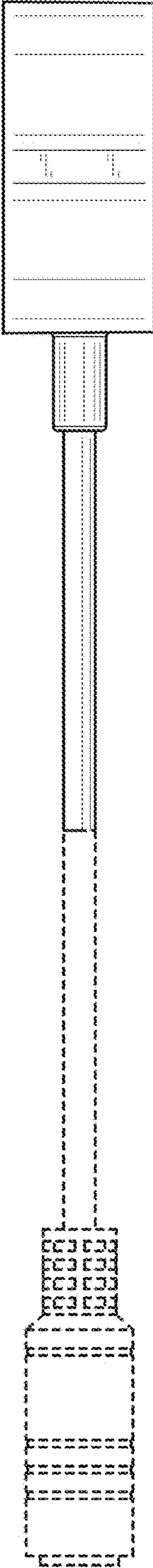


FIG. 4

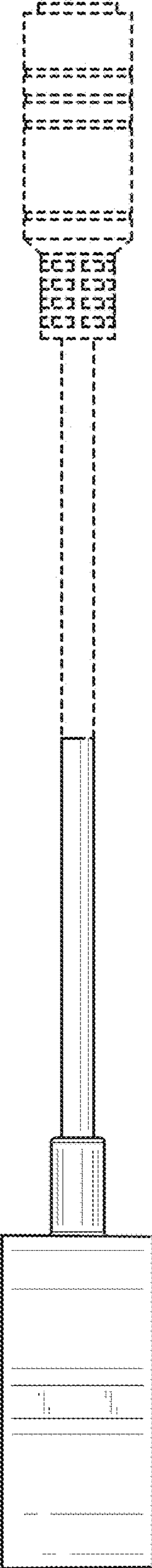


FIG. 5

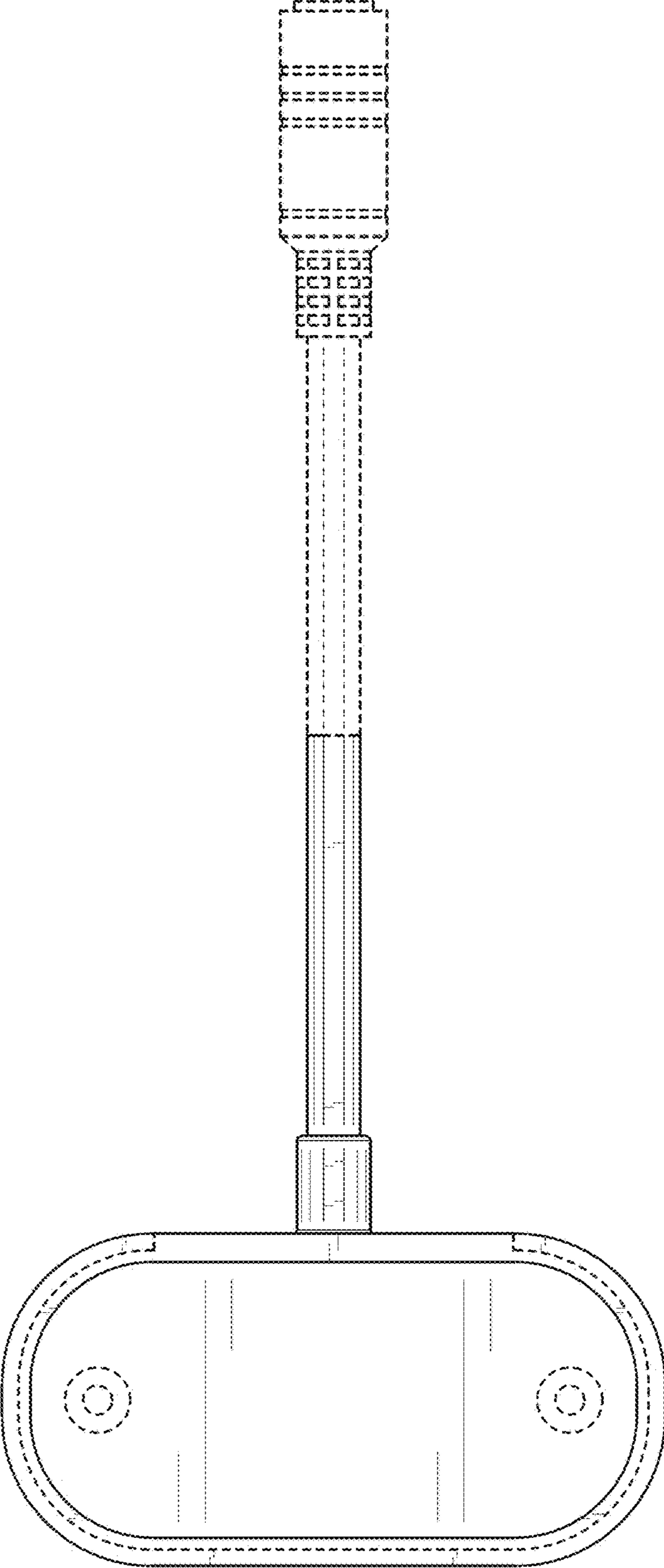


FIG. 6

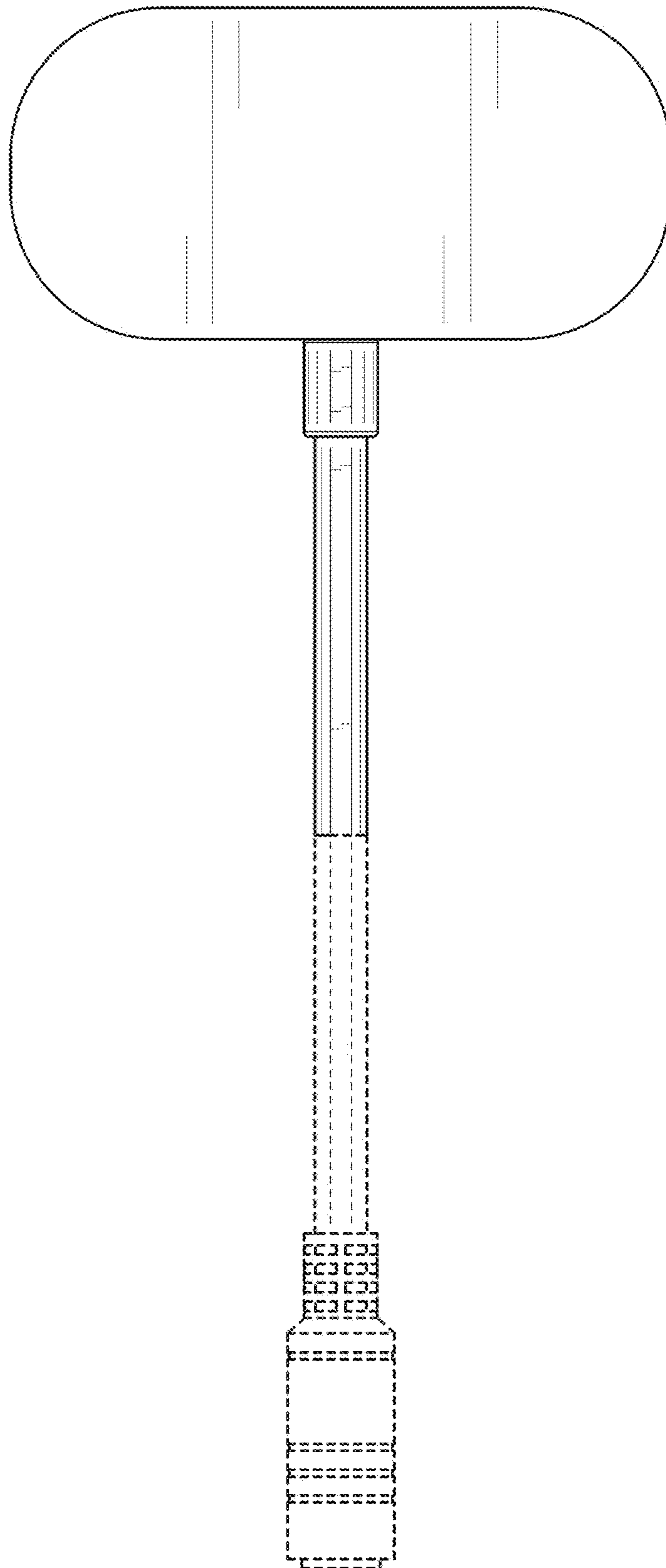


FIG. 7