



US00D832257S

(12) **United States Design Patent**
Jhun et al.

(10) **Patent No.:** **US D832,257 S**
(45) **Date of Patent:** **** Oct. 30, 2018**

(54) **MODULE FOR A TABLETOP MEDIA CENTER**

(71) Applicant: **Crestron Electronics, Inc.**, Rockleigh, NJ (US)

(72) Inventors: **Sae Jhun**, Bayside, NY (US); **Wendy Feldstein**, Old Tappan, NJ (US)

(73) Assignee: **Crestron Electronics, Inc.**, Rockleigh, NJ (US)

(**) Term: **15 Years**

(21) Appl. No.: **29/628,642**

(22) Filed: **Dec. 6, 2017**

(51) **LOC (11) Cl.** **14-02**

(52) **U.S. Cl.**
USPC **D14/432**

(58) **Field of Classification Search**
USPC D14/300–302, 308–313, 314, 348,
D14/353–355, 432, 439–446, 240;
361/679.02, 679.31, 679.5, 690, 694,
361/679.23, 801, 802; 312/332.1, 334.1;
D13/162; D10/50
CPC A45C 11/00; A45C 2011/003; B60R
11/0241; B60R 11/0252; F16M 13/00;
F16M 11/00

See application file for complete search history.

(56) **References Cited**

U.S. PATENT DOCUMENTS

6,046,405	A	4/2000	Obermann et al.	
6,162,071	A	12/2000	Muller	
D460,736	S	7/2002	Pincek et al.	
D465,201	S *	11/2002	Gershfeld	D13/139.4
D471,912	S *	3/2003	Camarota	D14/432
D473,525	S	4/2003	Pincek et al.	
6,802,577	B2	10/2004	Gershfeld	
6,942,501	B2	9/2005	Kissinger et al.	

D512,964	S	12/2005	Kissinger et al.	
D513,493	S *	1/2006	Feldstein	D13/139.4
D516,513	S	3/2006	Kissinger et al.	
D526,961	S *	8/2006	Kissinger	D13/139.4
D537,039	S	2/2007	Pincek	
D537,785	S *	3/2007	Pincek	D13/139.4

(Continued)

OTHER PUBLICATIONS

AMX, HydraPort: Connecting the Perfect Meeting, Product Guide, Rev. V3 (Sep. 8, 2014), available at pdf.archiexpo.com/pdf/amx/hydraport/51274-177337.html.

(Continued)

Primary Examiner — Austin Murphy

(74) *Attorney, Agent, or Firm* — Crestron Electronics, Inc

(57) **CLAIM**

The ornamental design for a module for a tabletop media center, as shown and described.

DESCRIPTION

FIG. 1 shows a top perspective view of a module for a tabletop media center.

FIG. 2 shows a top view of the module for a tabletop media center.

FIG. 3 shows a front view of the module for a tabletop media center.

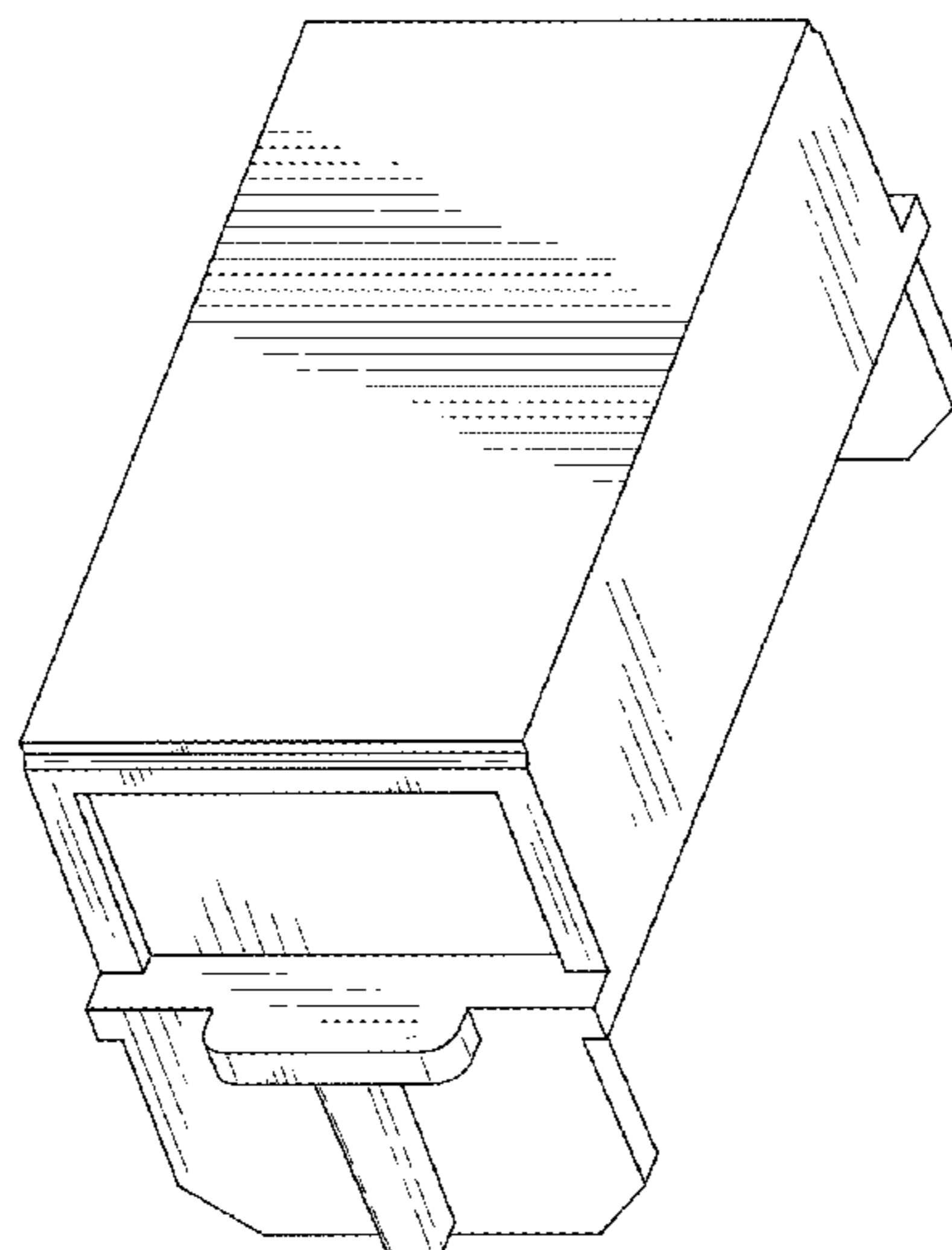
FIG. 4 shows a rear view of the module for a tabletop media center.

FIG. 5 shows a left side view of the module for a tabletop media center.

FIG. 6 shows a right side view of the module for a tabletop media center; and,

FIG. 7 shows a top perspective view of the module for a tabletop media center, wherein the tabletop media center shown in broken lines illustrates the environment in which the design is used and forms no part of the claimed design.

1 Claim, 5 Drawing Sheets



(56)

References Cited

U.S. PATENT DOCUMENTS

7,312,393	B2 *	12/2007	McCarthy	A47B 21/06 174/480
D569,863	S	5/2008	Feldstein et al.	
7,414,193	B1	8/2008	Le	
D586,814	S *	2/2009	Kramer	D14/432
7,541,539	B2	6/2009	Le	
7,667,145	B2	2/2010	Dinh et al.	
D626,542	S	11/2010	Libman et al.	
D628,097	S	11/2010	Libman et al.	
D628,098	S	11/2010	Libman et al.	
D628,099	S	11/2010	Libman et al.	
D638,314	S	5/2011	Libman et al.	
D638,315	S	5/2011	Libman et al.	
D639,680	S	6/2011	Libman et al.	
D639,681	S	6/2011	Rodriguez et al.	
D640,577	S	6/2011	Libman et al.	
D640,939	S	7/2011	Libman et al.	
D640,940	S	7/2011	Libman et al.	
7,989,710	B2	8/2011	Hansen et al.	
D657,315	S	4/2012	Feldstein et al.	
D662,501	S *	6/2012	Lohman	D14/432
D662,937	S *	7/2012	Lohman	D14/432
D664,050	S	7/2012	Rodriguez et al.	
D678,786	S	3/2013	Rodriguez et al.	
D685,373	S *	7/2013	Santos	D14/432
D686,992	S *	7/2013	Eisen	D13/133
8,943,978	B2	2/2015	Soper et al.	
D734,729	S	7/2015	Chaloupecky et al.	
D742,882	S *	11/2015	Takano	D14/432
D742,883	S *	11/2015	Akana	D14/432
D744,487	S *	12/2015	Takano	D14/432
9,257,776	B2	2/2016	Kramer	
D754,665	S *	4/2016	Zhang	D14/432
9,309,087	B2	4/2016	Laube et al.	
9,425,563	B2	8/2016	Laube et al.	
9,553,413	B2	1/2017	Laube et al.	
D783,623	S *	4/2017	Crisp	D14/432
9,680,262	B2	6/2017	Laube et al.	
9,706,833	B2	7/2017	Newhouse et al.	
2003/0070592	A1	4/2003	Grasse et al.	
2009/0165679	A1	7/2009	Bakker et al.	
2014/0265753	A1	9/2014	Gershfeld et al.	
2014/0374531	A1	12/2014	Laube et al.	
2017/0093097	A1	3/2017	Laube et al.	

OTHER PUBLICATIONS

Arthur Holm, Albiral Display Solutions SL, Catalog, EN2016-2017, available at www.arthurholm.com/wp-content/uploads/2017/03/AH_Catalogue_2017.pdf.

Bachmann Electrical Engenering Ltd., Facility Solutions, System solutions for Office, conference and meeting rooms, Jun. 2016, availble at genproel-el.gr/data/documents/2017.pdf.

Crestron, Crestron FlipTops, D4520-C_201410, 2014, available at www.crestron.com/downloads/pdf/product_brochures/crestron_fliptops_brochure.pdf.

Extron, Cable Cubby 202, 2014, available at www.extron.com/download/files/brochure/CC_202_Printable_A4.pdf.

Extron, Cable Cubby 500, 2014, available at www.extron.com/download/files/brochure/CC_500_Printable_A4.pdf.

Extron, Cable Cubby 700, 2014, available at www.extron.com/download/files/brochure/CC_700_Printable_A4.pdf.

Extron, Cable Cubby 1200, 2014, available at www.extron.com/download/files/brochure/CC_1200_Printable_letter_size.pdf.

Extron, Cable Cubby 1400, 2014, available at www.extron.com/download/files/brochure/CC_1400_Printable_letter_size.pdf.

Extron, Cable Cubby Series 2, Mar. 2016, 68-2604-01, Rev. C, available at www.extron.com/download/files/brochure/cable_cubby_series_2_verA4.pdf.

Extron Catalog, AAP—Architectural Adapter Plates, 2012 Product Catalog, available at www.extron.com/download/files/general/aaps_12cat_en.pdf.

FSR Inc., T6 Flex, LIT1434A, 2015, available at fsrinc.com/documents/spec-sheet/9187-lit1434c-t6-flex-spec-sheet-pdf/file.

FSR Inc., Table Boxes, LIT1187H, 2014, available at www.novotech.com.mx/wp-content/uploads/2016/03/1187H-Table-Box-Brochure.pdf.

Herman Miller, Inc., Logic Power Access Solutions, 2015, available at www.hermanmiller.com/content/dam/hermanmiller/documents/product_literature/product_sheets/Logic_Power_Access_Solutions_product_sheet.pdf.

Extron Electronics, “Hideaway” Family Brochure, 2002.

Extron Electronics, Extron® Hideaway Series Brochure, 2002.

Kramer Electronics Ltd., K-Able/XL Box Cable Retractor, User Manual, P/N: 2900-300441 Rev 3, 2015, available at k.kramerav.com/downloads/manuals/k-able_xl_box.pdf.

Kindermann, MultiMedia connection sytems, 2014, available at www.kindermann.de/file/admin/medien/printmedien/MultiMedia_connection_systems/GB/MultiMedia_connection_systems_GB.pdf.

Legrand, Wiremold® AVIP Series Device Plates, ED1670R3—Updated Jan. 2015, available at www.legrand.us/wiremold.aspx.

Legrand, Wiremold®, Dequorum™ Flip-Up Table Boxes, ED1755 0715, 2015, available at www.middleatlantic.com.

Legrand, Wiremold® Table Boxes, Table Boxes bring technology to the point-of-use, ED1706R5—Updated Mar. 2016 , available at www.legrand.us/wiremold.aspx.

Legrand, wiremold®, InteGreat™ A/V Table Box, ED1699R1 0913, 2013, available at www.legrand.us/wiremold.aspx.

Legrand, wiremold®, Meeting Room Solutions, ED1710, 2013, available at www.legrand.us/wiremold.aspx.

Legrand, wiremold® Table Boxes, ED1652R3—Updated Apr. 2016, available at www.legrand.us/wiremold.aspx.

Soltec, LCD-TFT Solutions, 2015, available at dvs.rs/wp-content/uploads/2017/07/ENGLISH-SOLTEC-CATALOGUE.pdf.

* cited by examiner

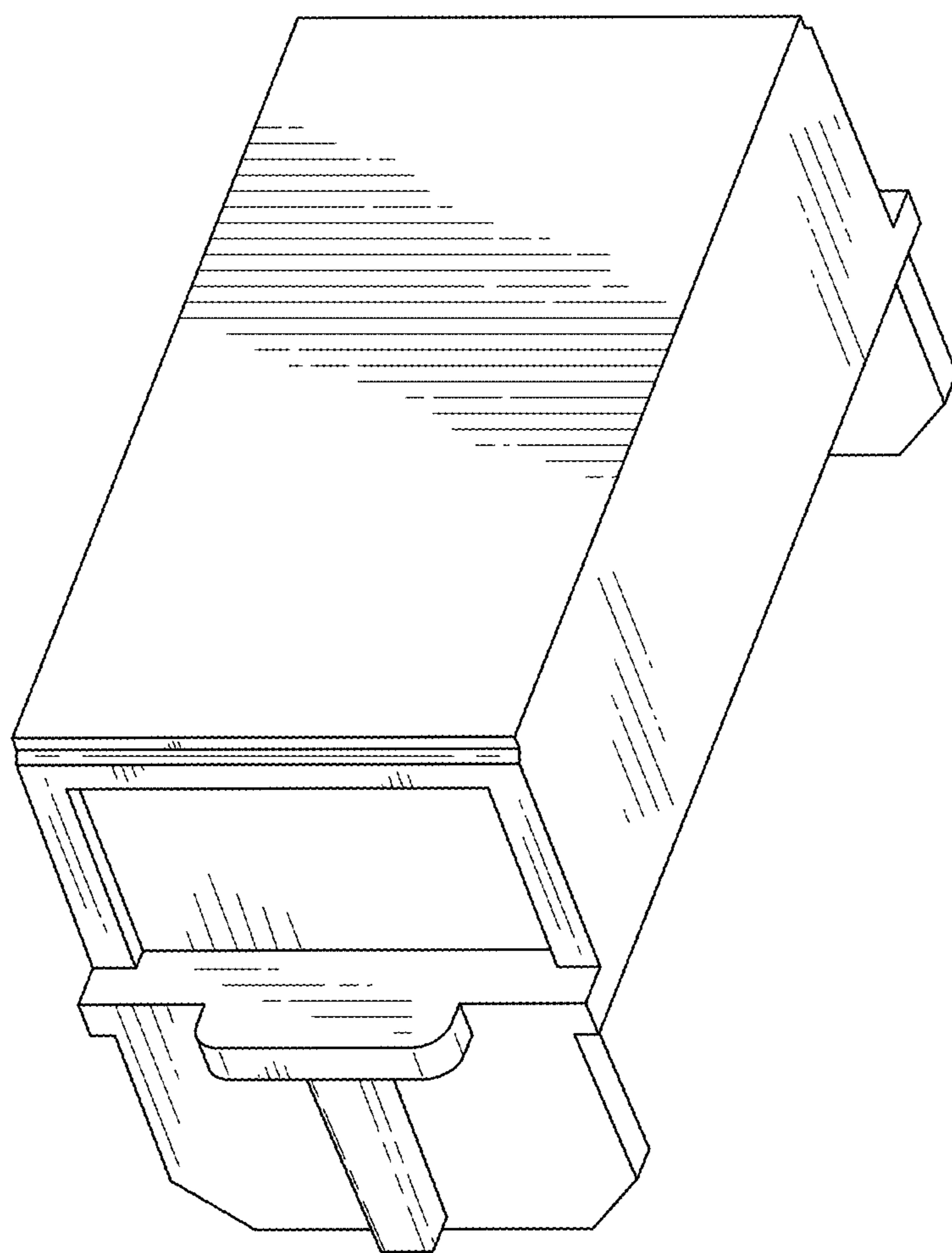


FIG. 1

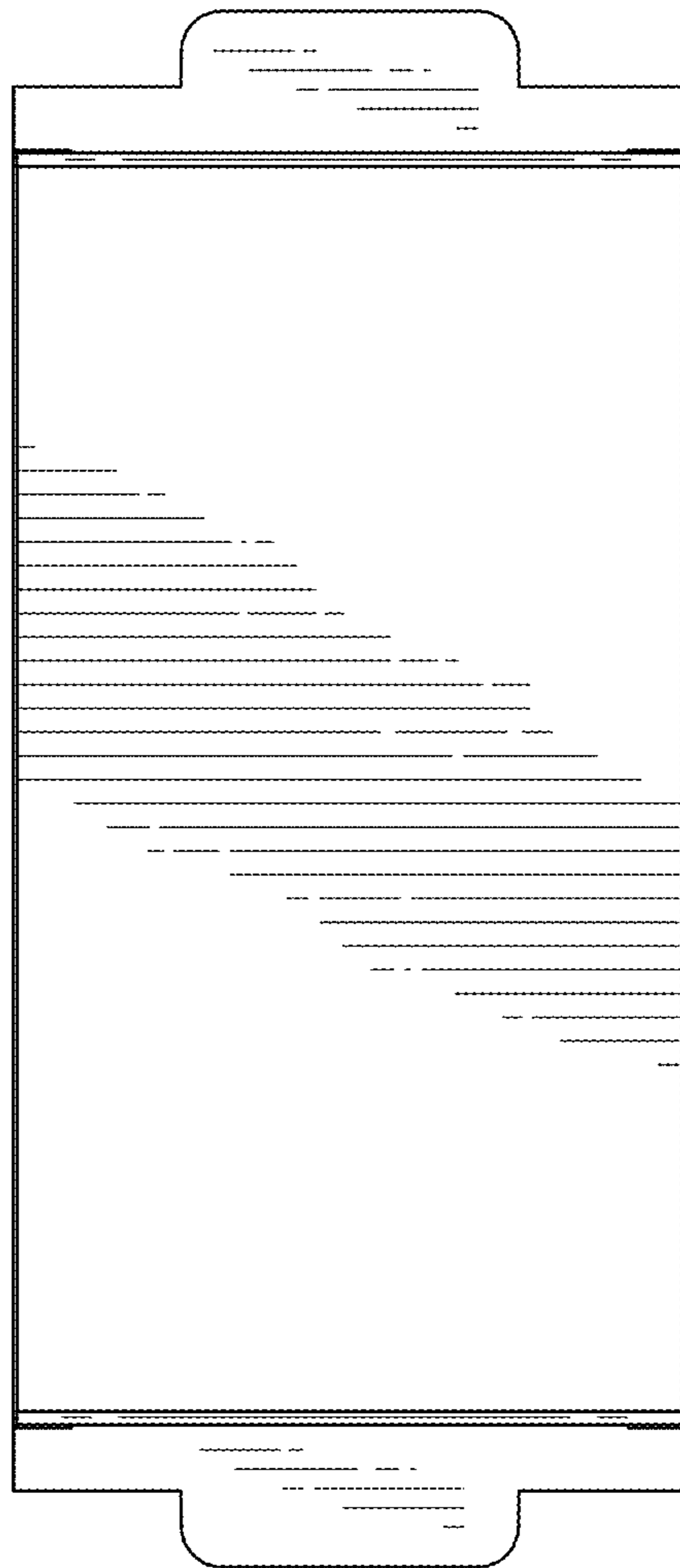


FIG. 2

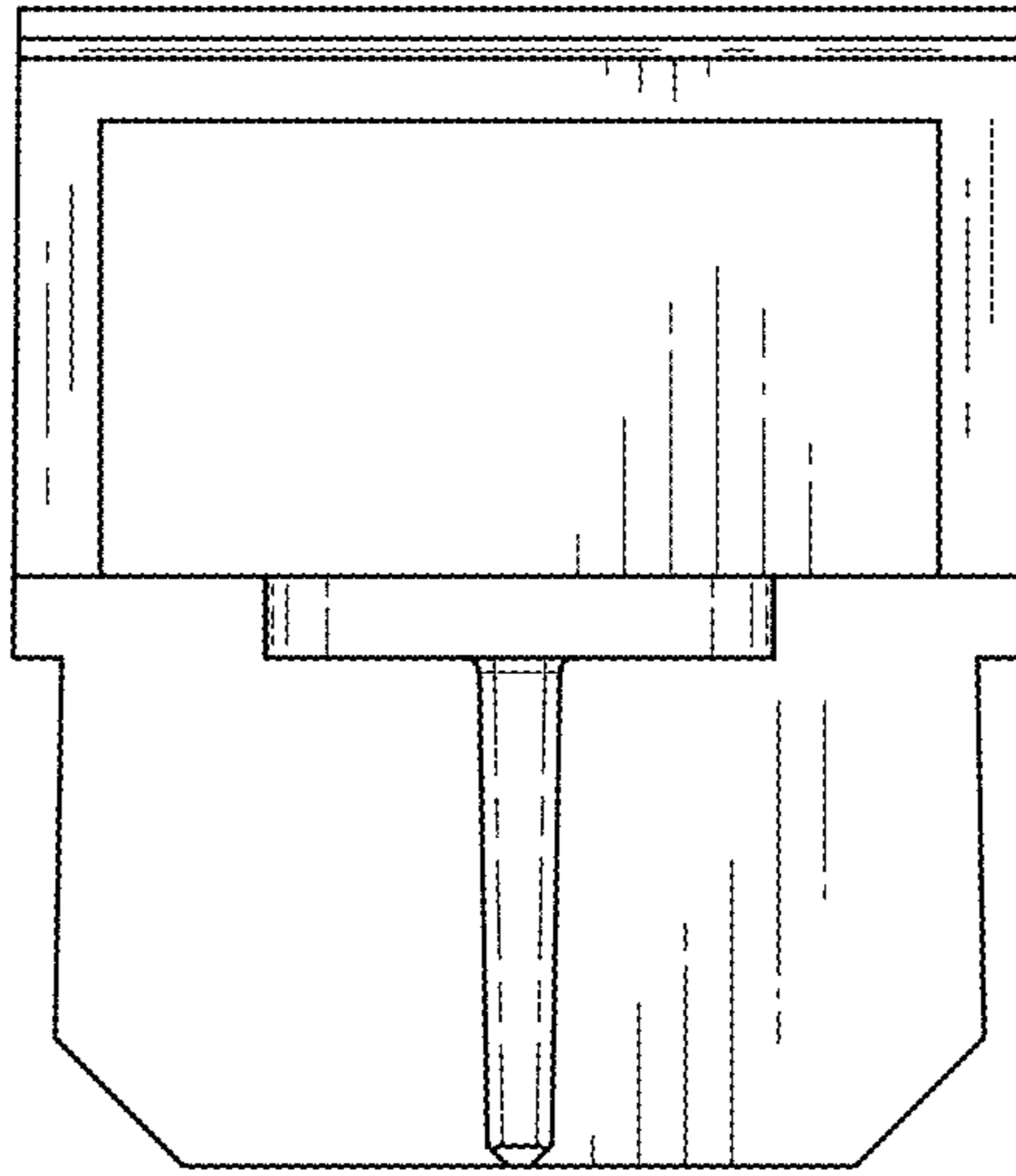


FIG. 3

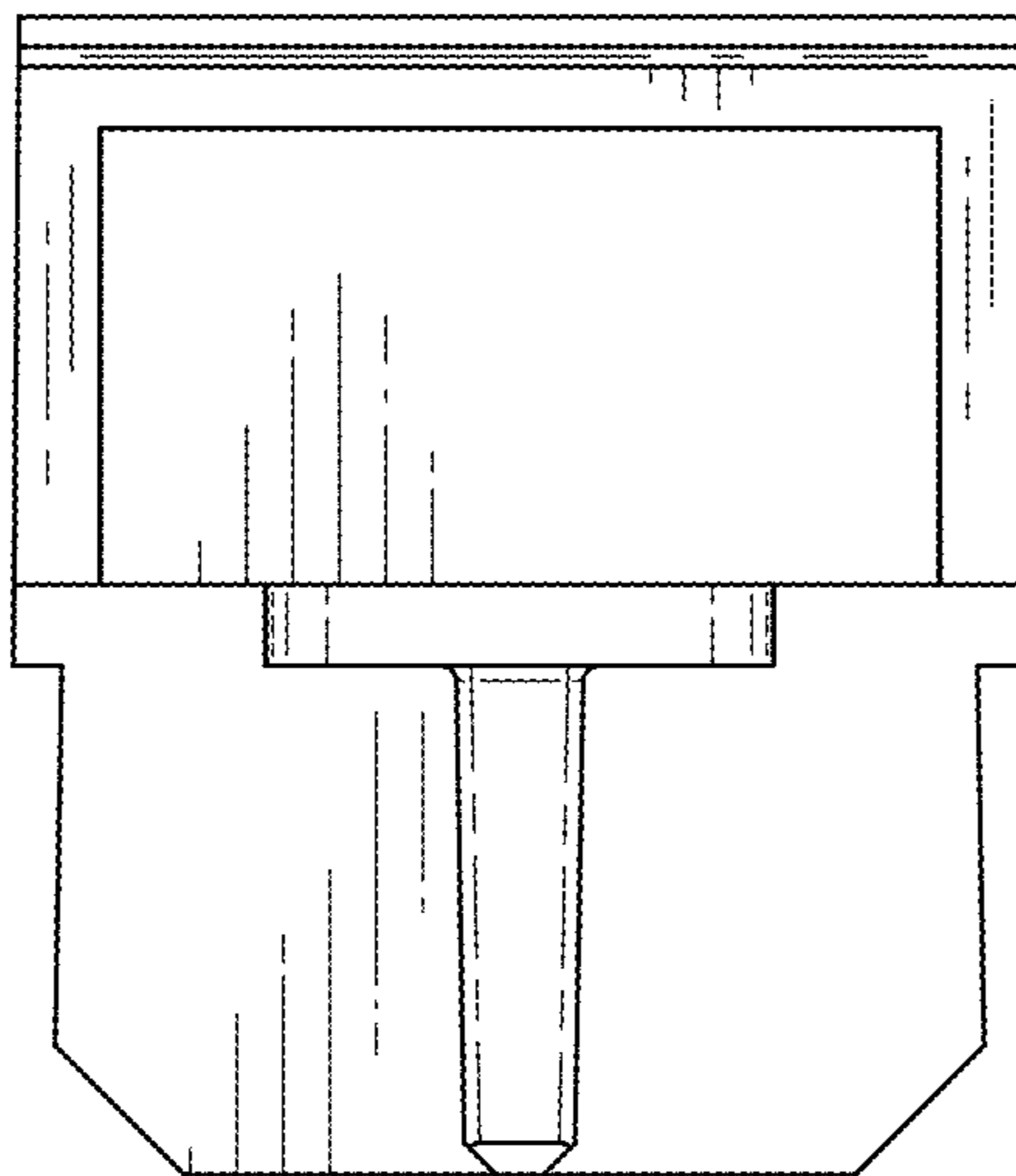


FIG. 4

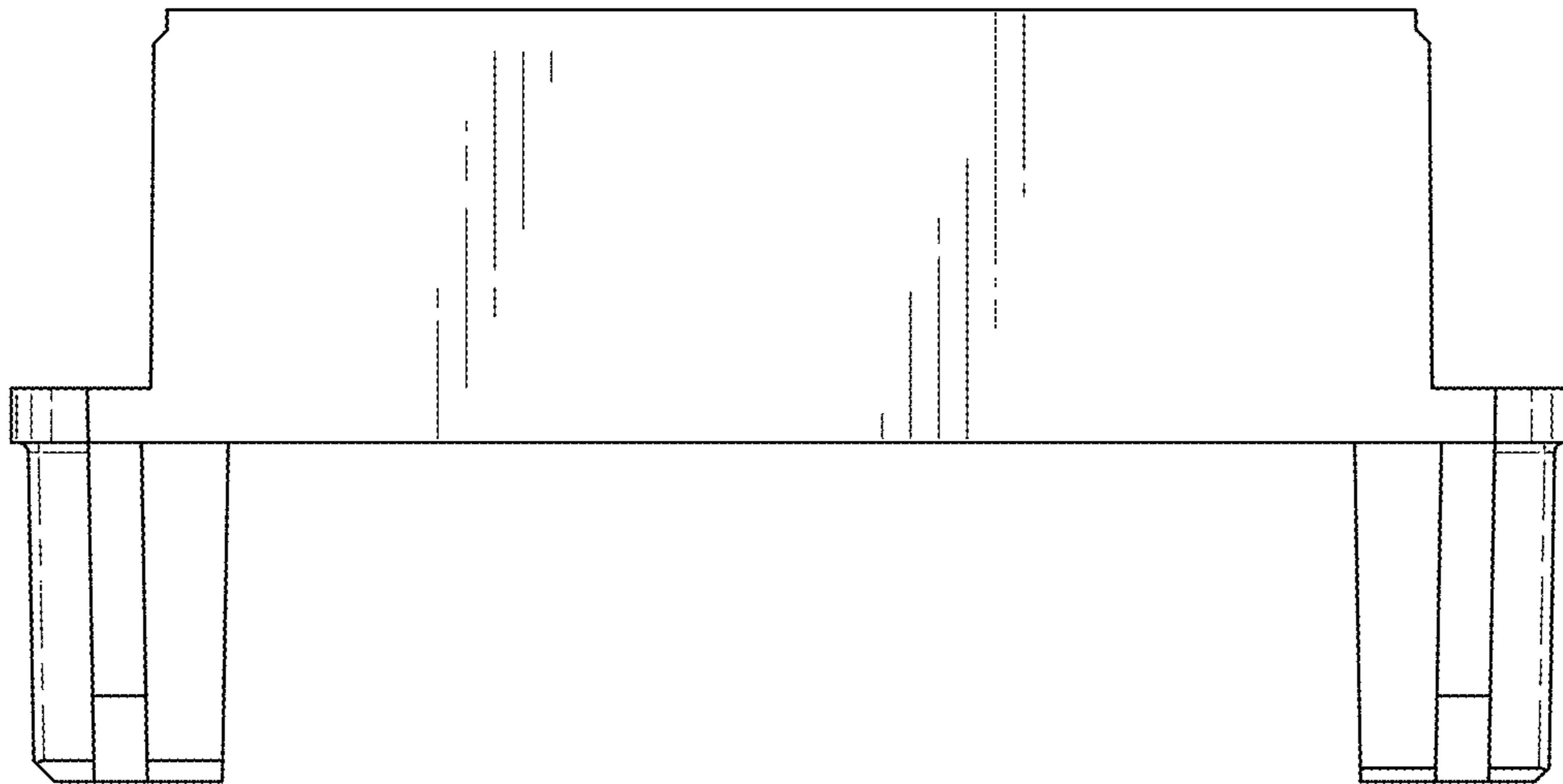


FIG. 5

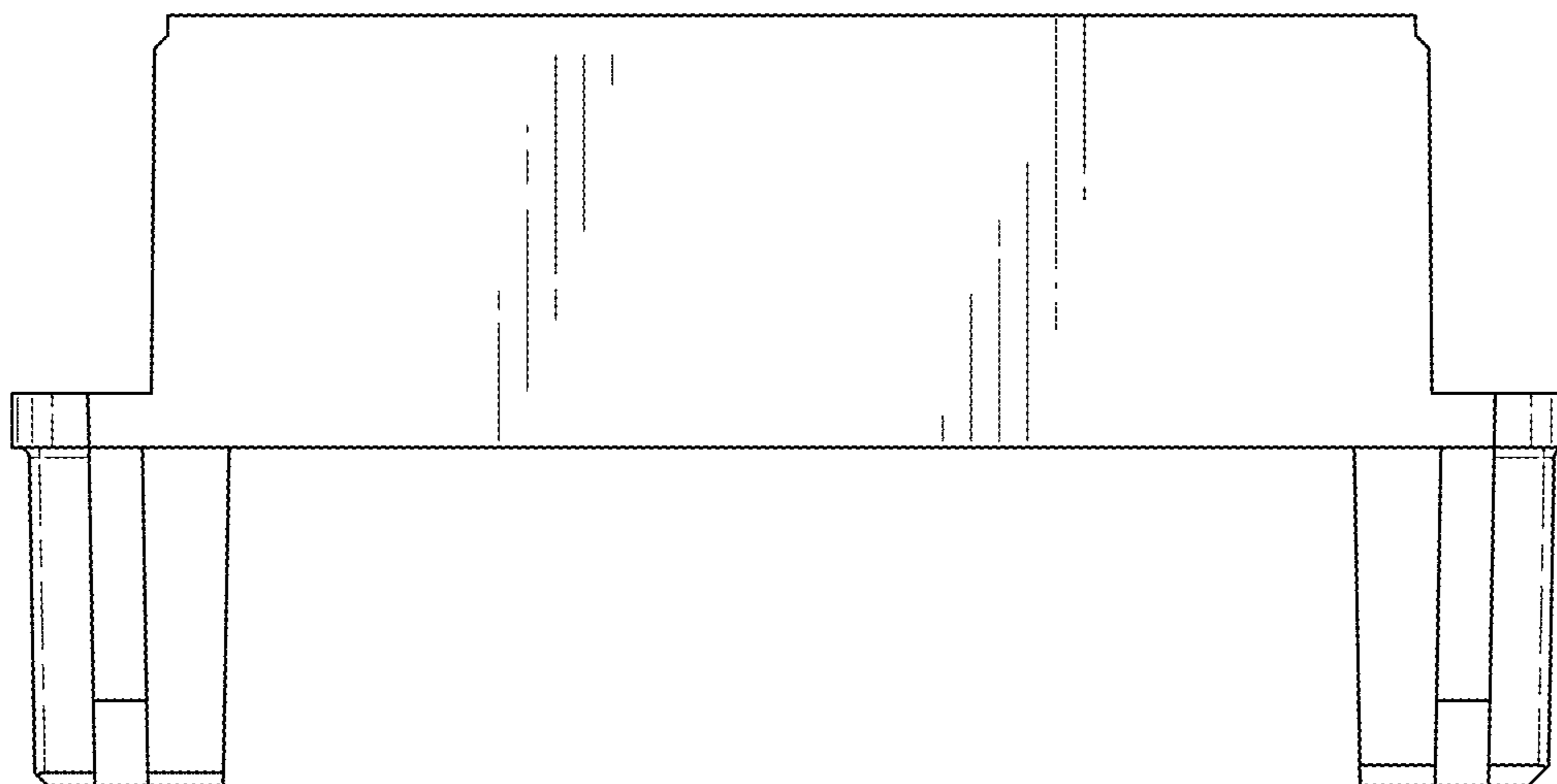


FIG. 6

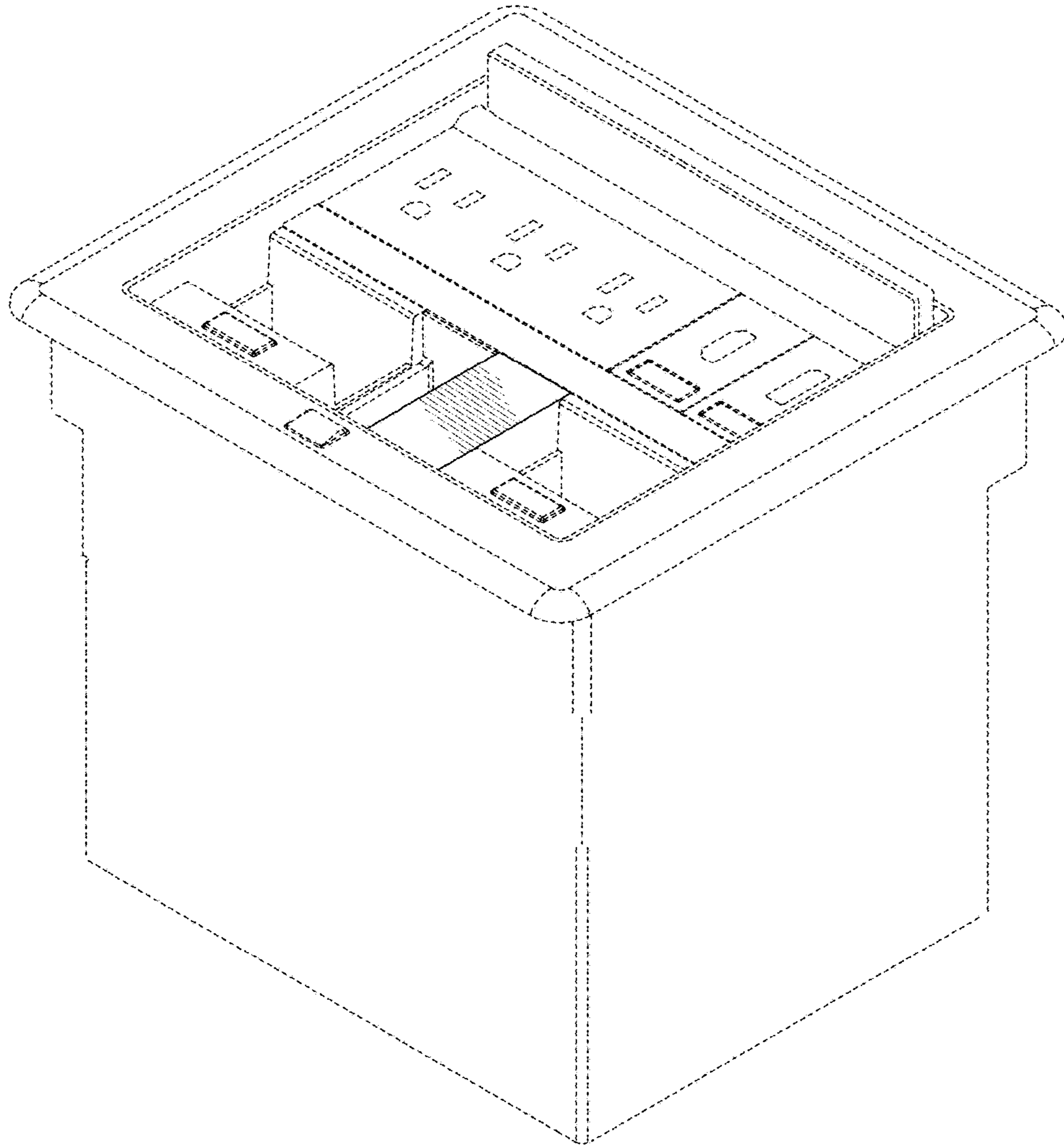


FIG. 7

UNITED STATES PATENT AND TRADEMARK OFFICE
CERTIFICATE OF CORRECTION

PATENT NO. : D832,257 S
APPLICATION NO. : 29/628642
DATED : October 30, 2018
INVENTOR(S) : Jhun et al.

Page 1 of 1

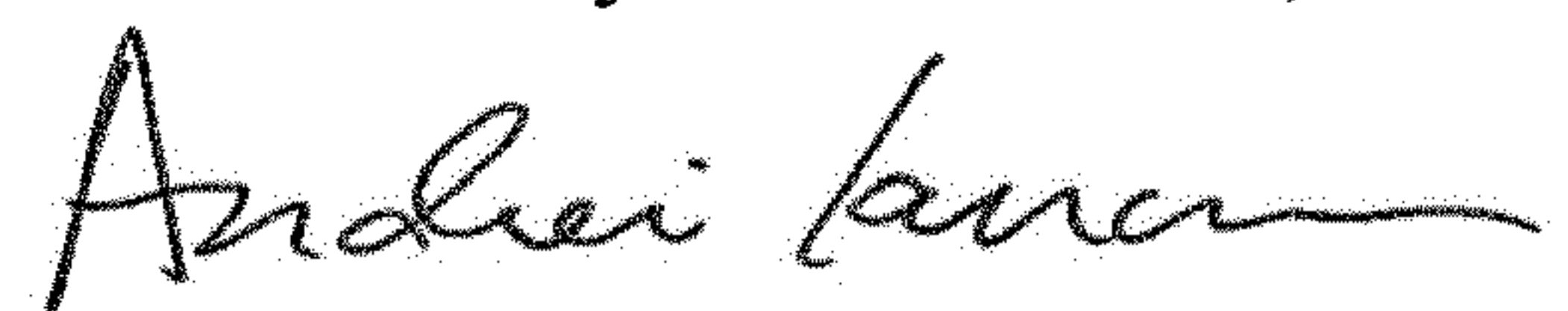
It is certified that error appears in the above-identified patent and that said Letters Patent is hereby corrected as shown below:

On the Title Page

Item (72), add:

-- Edward Joy, Carmel, NY (US); --

Signed and Sealed this
Eleventh Day of December, 2018



Andrei Iancu
Director of the United States Patent and Trademark Office