



US00D832254S

(12) **United States Design Patent**
Aglassinger et al.

(10) **Patent No.:** **US D832,254 S**

(45) **Date of Patent:** **** Oct. 30, 2018**

(54) **ANGLE GRINDER**

(71) Applicant: **Robert Bosch GmbH**, Stuttgart (DE)

(72) Inventors: **Hans-Peter Aglassinger**, Esslingen (DE); **Vincent Hasenmayer**, Stuttgart-Möhringen (DE)

(73) Assignee: **Robert Bosch GmbH**, Stuttgart (DE)

(**) Term: **15 Years**

(21) Appl. No.: **29/586,016**

(22) Filed: **Nov. 30, 2016**

(30) **Foreign Application Priority Data**

Jun. 8, 2016 (EM) 003178359

(51) **LOC (11) Cl.** **14-02**

(52) **U.S. Cl.**
USPC **D14/372**

(58) **Field of Classification Search**
USPC D8/69, 68, 67, 66, 64, 61, 70; 83/698.41, 83/747, 166.3, 374, 373, 375, 376, 391, 83/377, 390, 388, 389; 125/13.01; 144/218; D21/532
CPC B24B 23/028; B24B 47/12; B24B 7/186; B25F 5/001; B25F 5/02
See application file for complete search history.

(56) **References Cited**

U.S. PATENT DOCUMENTS

D497,296 S * 10/2004 Krondorfer D8/62
D506,662 S * 6/2005 Watson D8/62

D540,638 S * 4/2007 Concari D8/62
D576,461 S * 9/2008 Bast D8/62
D580,723 S * 11/2008 Concari D8/62
D722,853 S * 2/2015 Takahashi D8/61

* cited by examiner

Primary Examiner — Austin Murphy

(74) *Attorney, Agent, or Firm* — Maginot, Moore & Beck LLP

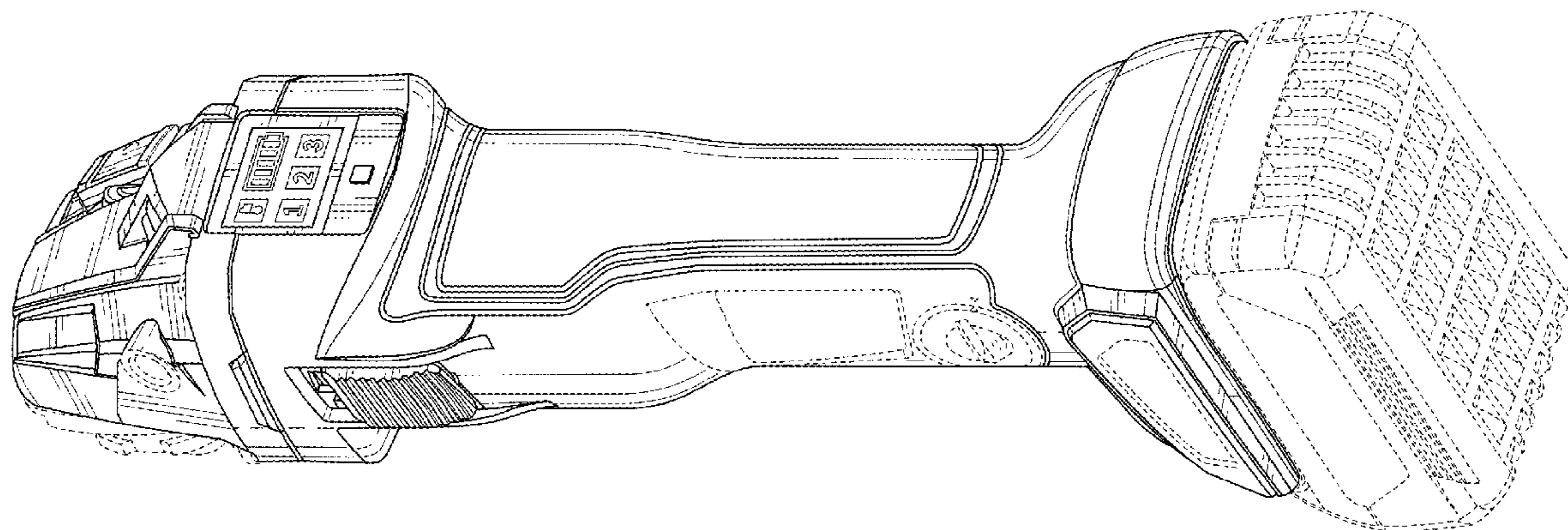
(57) **CLAIM**

The ornamental design for an angle grinder, as shown and described.

DESCRIPTION

FIG. 1 is a perspective view of an angle grinder showing our new design;
FIG. 2 is a right side elevational view of the angle grinder of FIG. 1;
FIG. 3 is a left side elevational view of the angle grinder of FIG. 1;
FIG. 4 is a front elevational view of the angle grinder of FIG. 1;
FIG. 5 is a rear elevational view of the angle grinder of FIG. 1;
FIG. 6 is a top plan view of the angle grinder of FIG. 1; and,
FIG. 7 is a bottom plan view of the angle grinder of FIG. 1.
The broken lines shown in the drawings illustrate portions of the angle grinder that form no part of the claimed design.

1 Claim, 7 Drawing Sheets



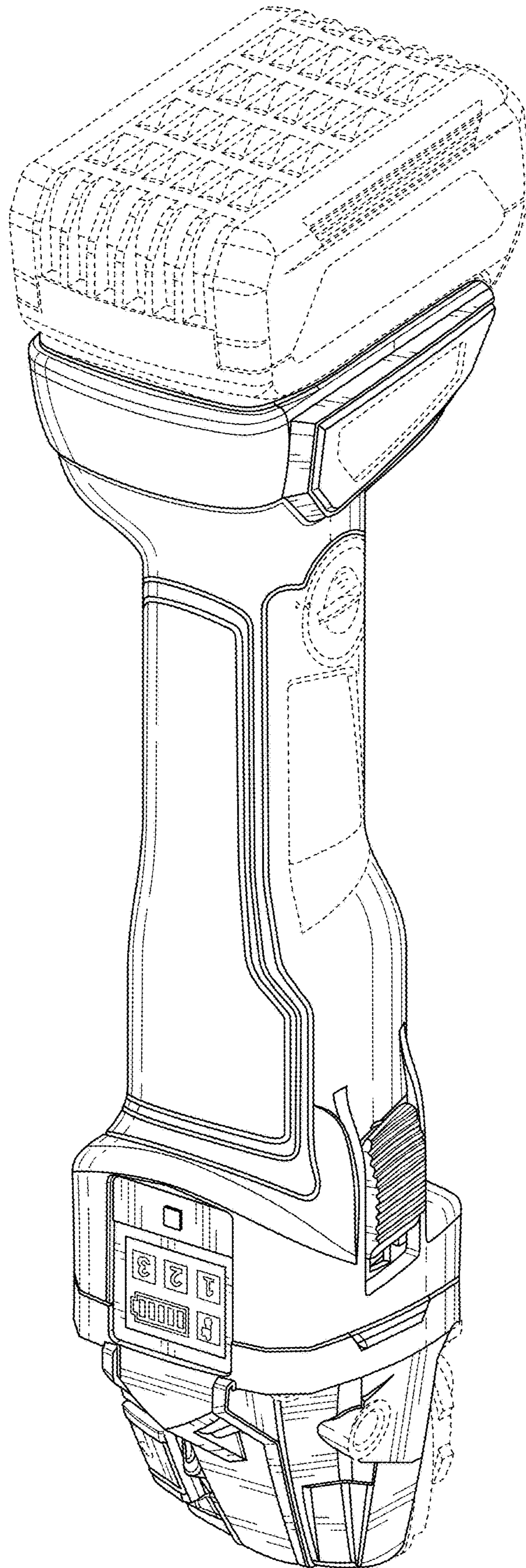


FIG. 1

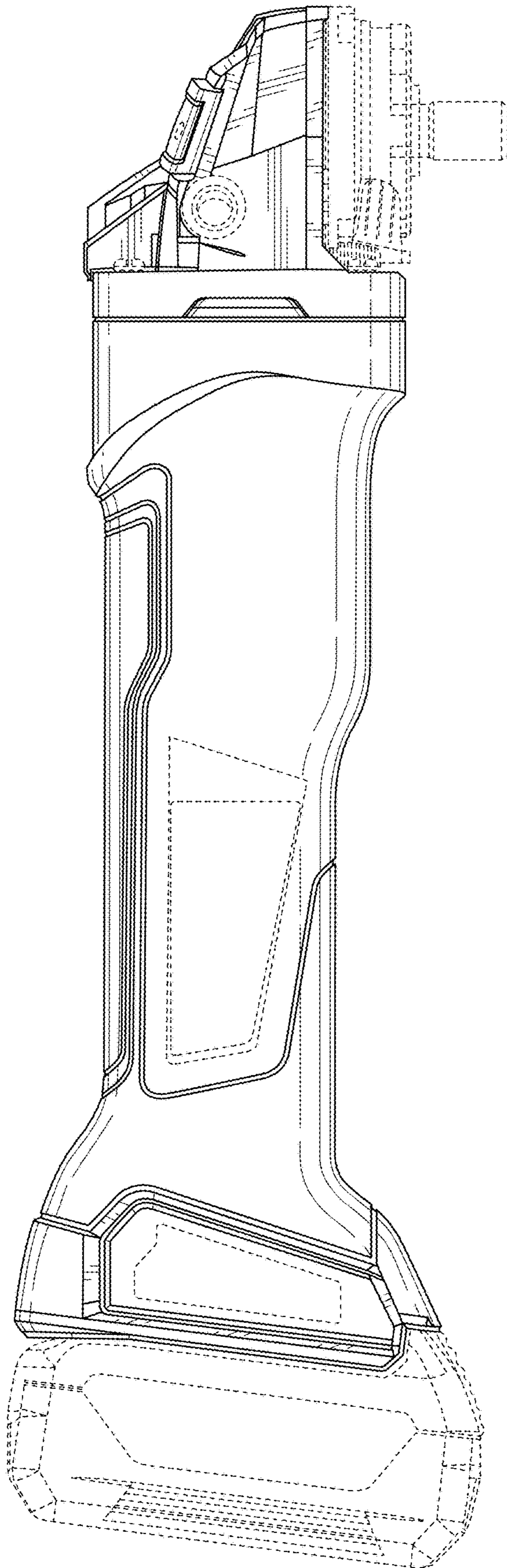


FIG. 2

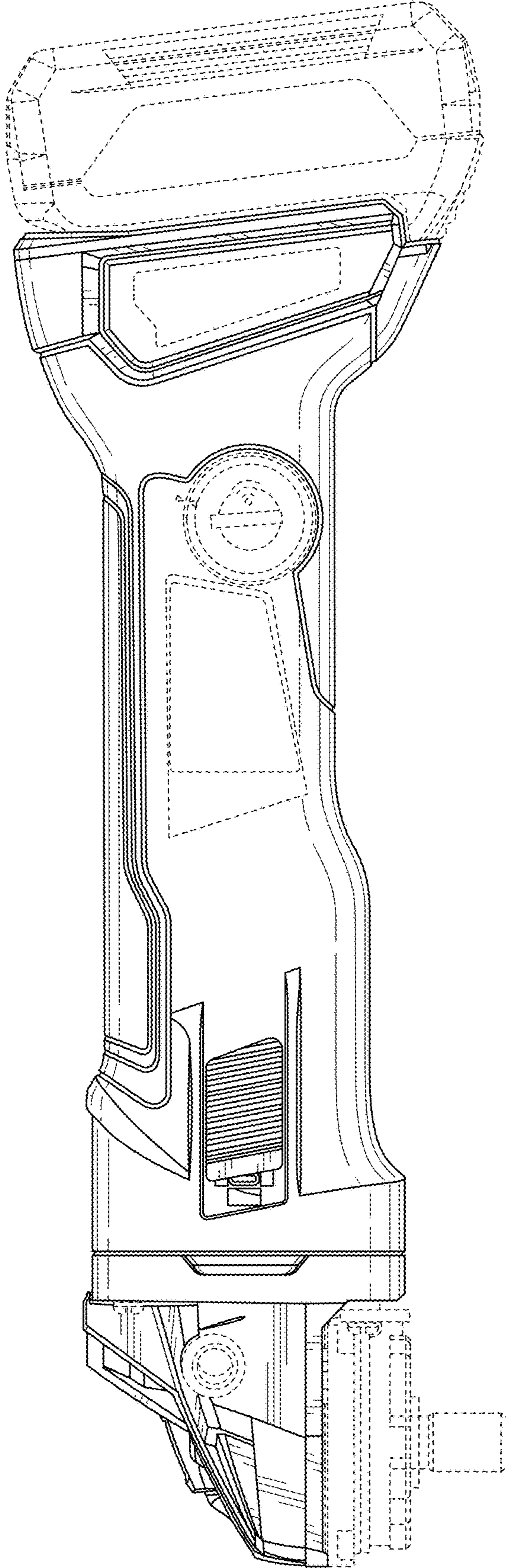


FIG. 3

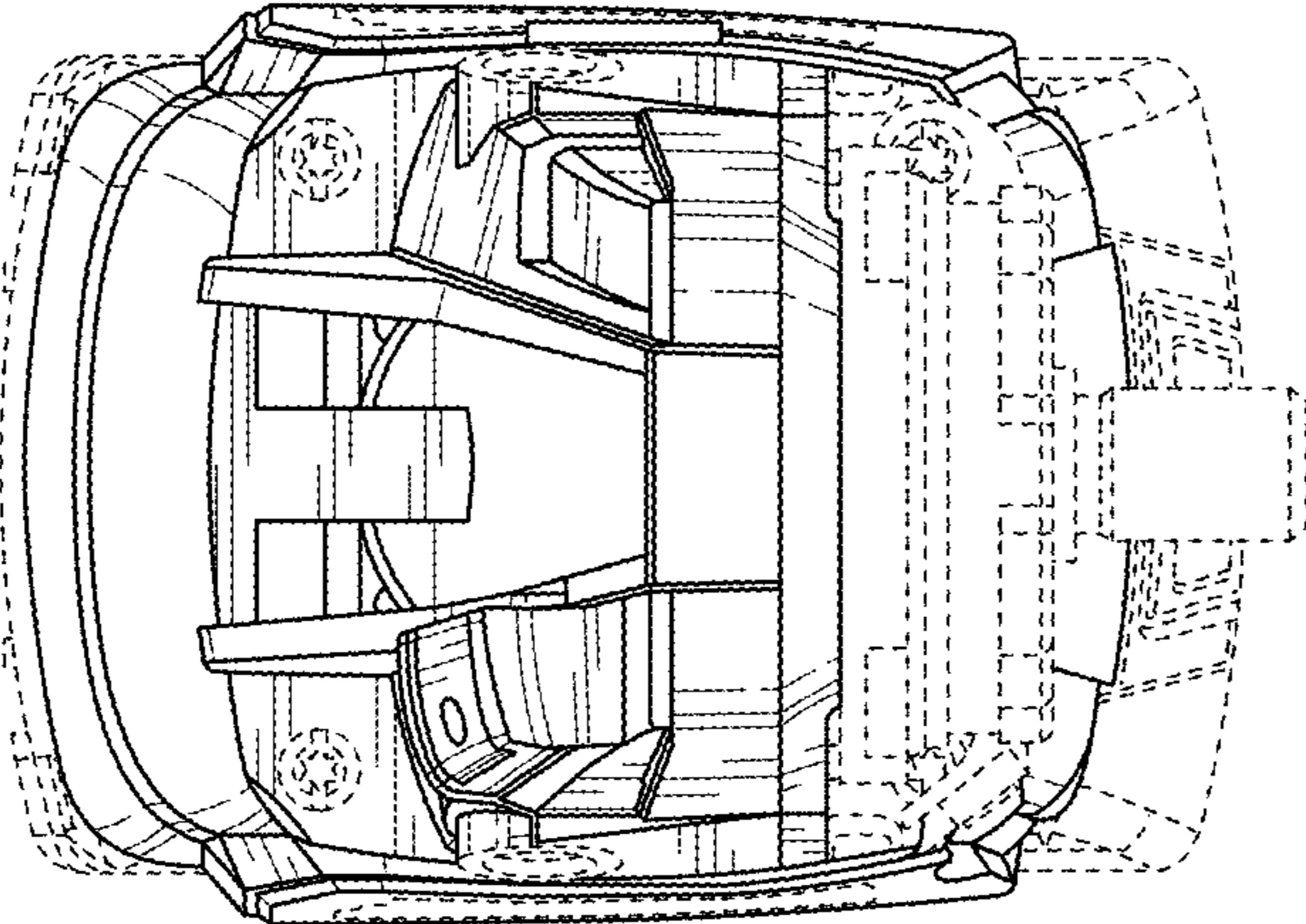


FIG. 4

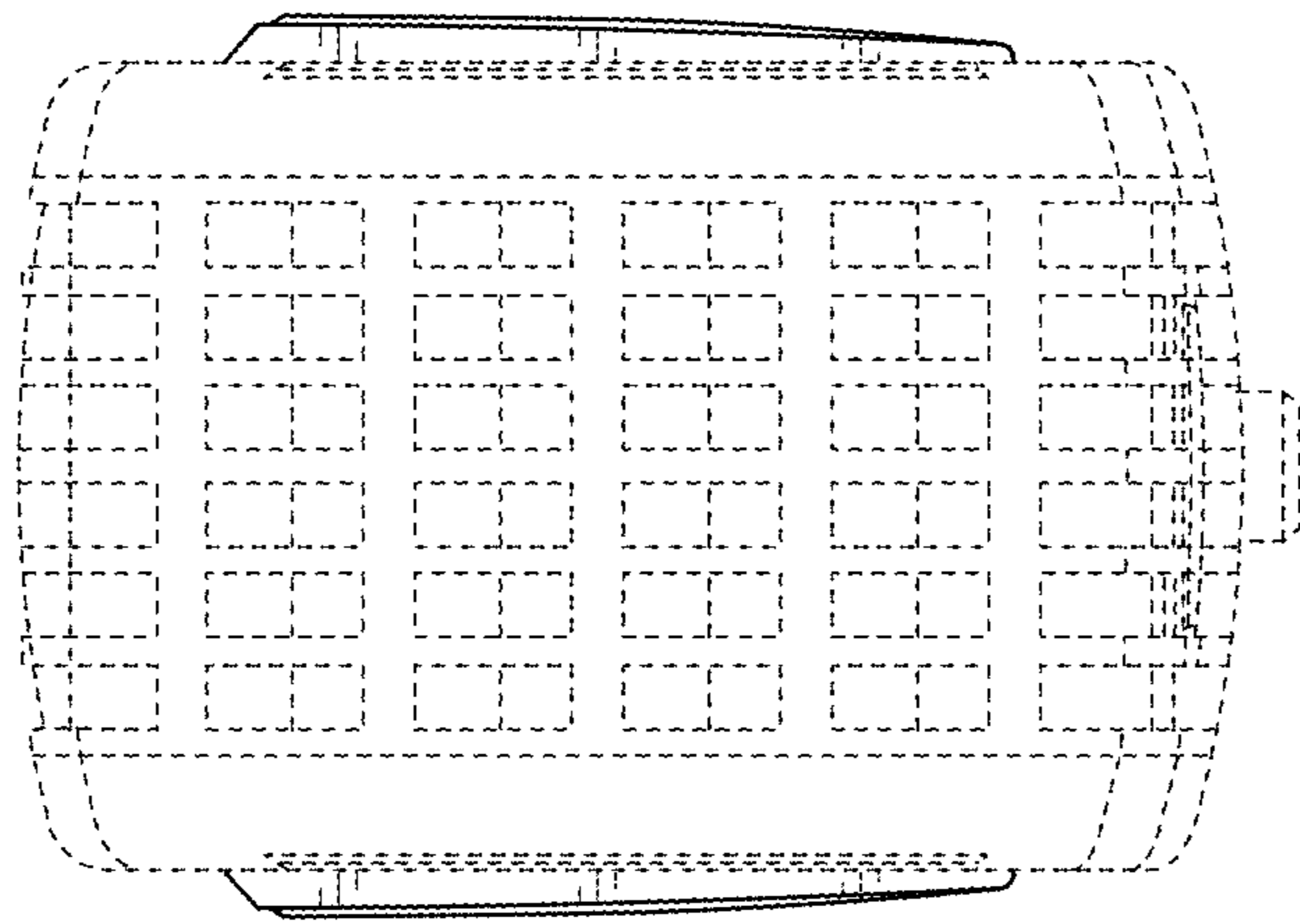


FIG. 5

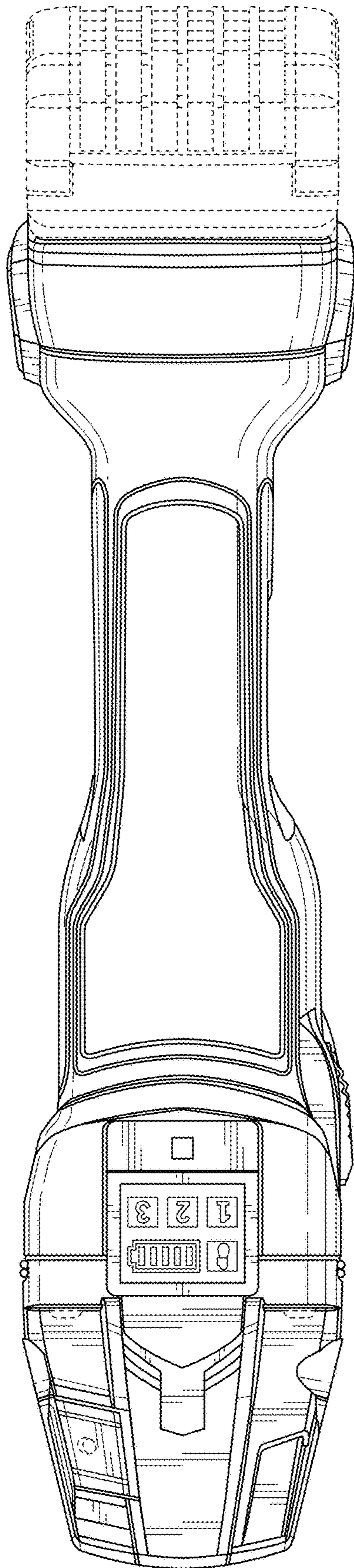


FIG. 6

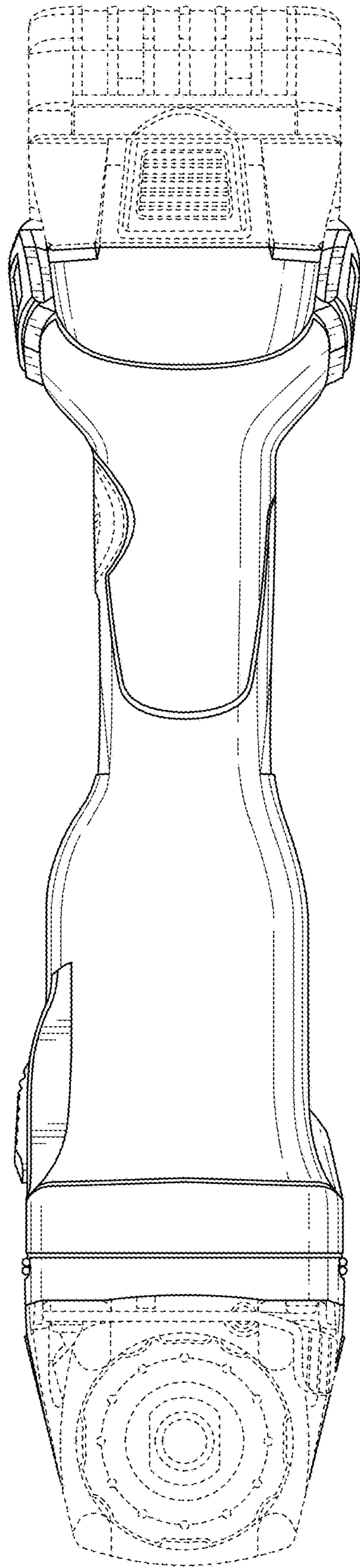


FIG. 7