

US00D832250S

(12) **United States Design Patent**
Wong et al.

(10) **Patent No.:** **US D832,250 S**
(45) **Date of Patent:** **** Oct. 30, 2018**

(54) **COMPUTER**

(71) Applicant: **Hewlett-Packard Development Company, L.P.**, Houston, TX (US)
(72) Inventors: **Glenn A. Wong**, Sunnyvale, CA (US); **Jack Godfrey Wood**, London (GB); **Marcus Hoggarth**, London (GB); **Matt Leck**, London (GB)

(73) Assignee: **Hewlett-Packard Development Company, L.P.**, Houston, TX (US)

(**) Term: **15 Years**

(21) Appl. No.: **29/566,884**

(22) Filed: **Jun. 3, 2016**

(51) **LOC (11) Cl.** **14-02**

(52) **U.S. Cl.**
USPC **D14/336**

(58) **Field of Classification Search**
USPC D14/336, 341, 371, 373, 374, 375, 376, D14/377, 126, 127, 128, 129, 447-452
CPC G06F 1/1601; G06F 1/1605; G06F 1/162
See application file for complete search history.

(56) **References Cited**

U.S. PATENT DOCUMENTS

D564,989 S *	3/2008	Kita	D14/126
D692,872 S *	11/2013	Hofer	D14/138 G
D730,914 S *	6/2015	Park	D14/447
D732,498 S *	6/2015	Huang	D14/138 G
D749,579 S *	2/2016	Schoenert	D14/371
D752,586 S *	3/2016	Lee	D14/374
D760,723 S *	7/2016	Won	D14/447
D760,724 S *	7/2016	Kang	D14/447
D775,123 S *	12/2016	Guimaraes	D14/336
D782,473 S *	3/2017	Hong	D14/341

(Continued)

FOREIGN PATENT DOCUMENTS

JP D1460287 * 1/2013

OTHER PUBLICATIONS

YouTube. <URL: <https://www.youtube.com/watch?v=DQn45LSVTHQ>> HP computer monitor. May 30, 2015.*

Primary Examiner — Bridget L Eland
Assistant Examiner — Lauren McVey

(74) *Attorney, Agent, or Firm* — Rathe Lindenbaum LLP (US LC) USD

(57) **CLAIM**

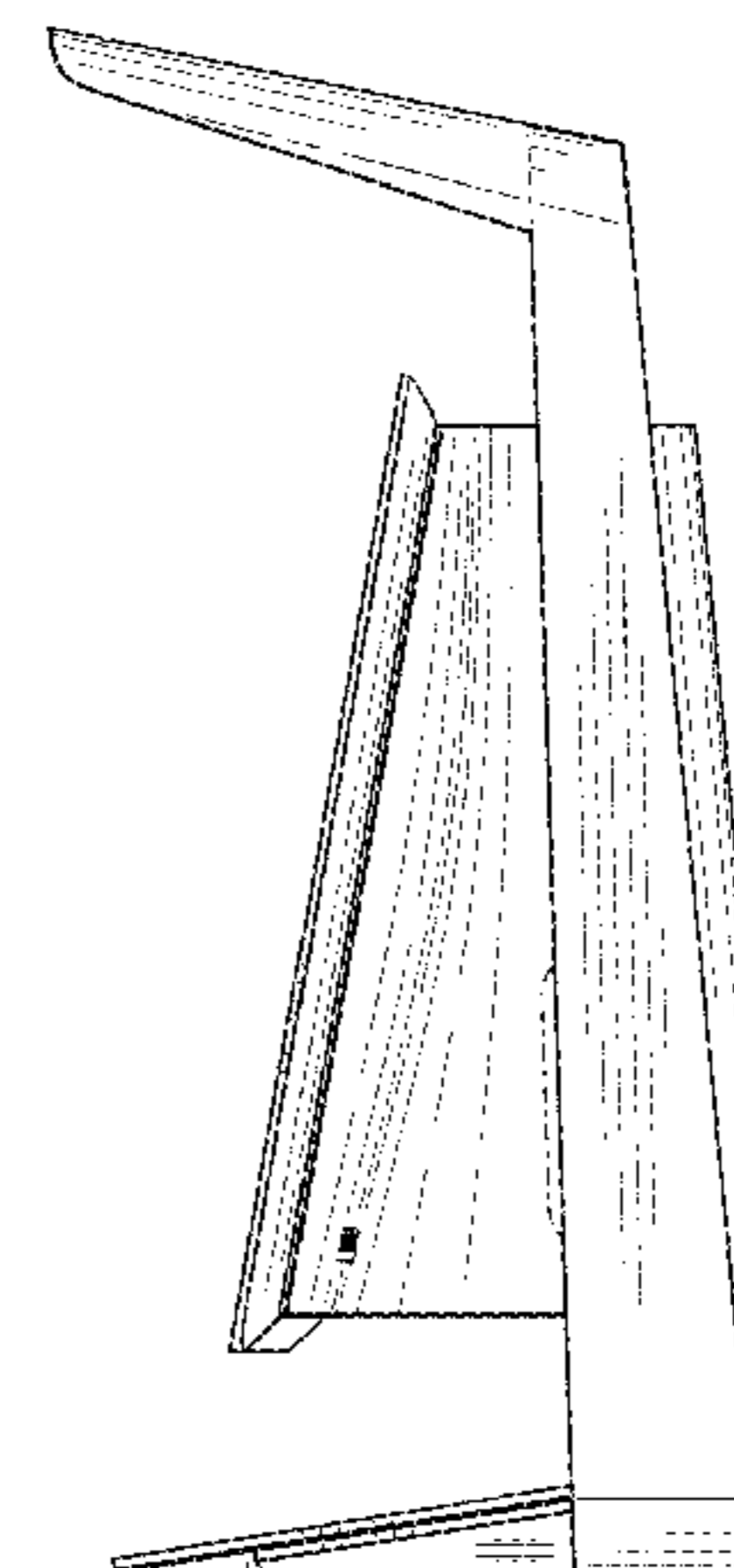
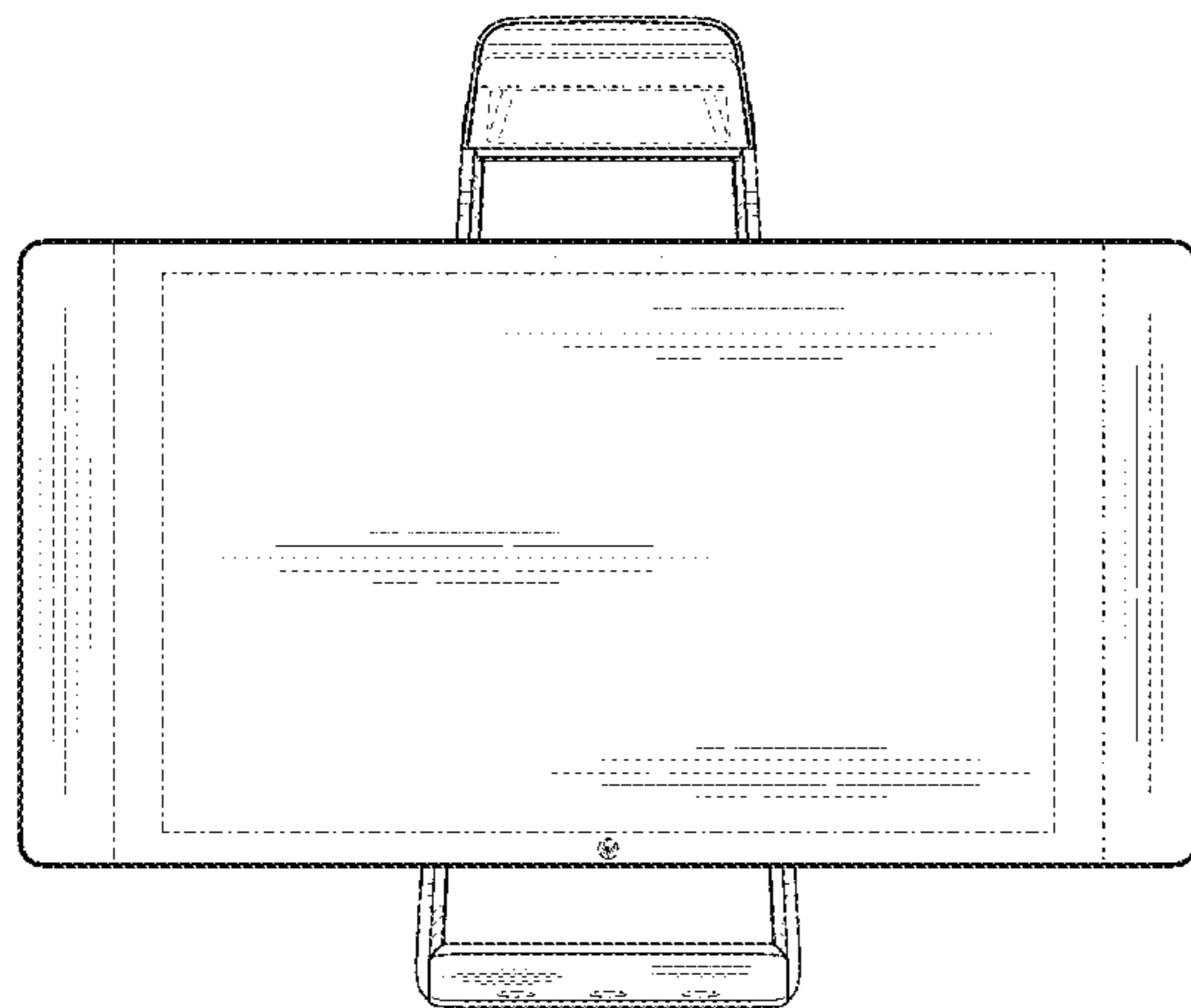
The ornamental design for a computer, as shown and described.

DESCRIPTION

FIG. 1 is a front, left, top, perspective view of a computer showing our new design;
FIG. 2 is a rear, right, top, perspective view of the computer shown in FIG. 1;
FIG. 3 is a front elevational view of the computer shown in FIG. 1;
FIG. 4 is a rear elevational view of the computer shown in FIG. 1;
FIG. 5 is a left-side elevational view of the computer shown in FIG. 1;
FIG. 6 is a right-side elevational view of the computer or shown in FIG. 1;
FIG. 7 is a top plan view of the computer shown in FIG. 1; and,
FIG. 8 is a bottom plan view of the computer shown in FIG. 1.

The dot-dash broken lines represent the bounds of the claimed design while all other broken lines are directed to environment and are for illustrative purposes only; the broken lines form no part of the claimed design. In addition, the unshaded surfaces directly adjoining the solid line claimed edges in FIGS. 1, 2, 3, 7, and 8, which are not shown shaded in any other view form no part of the claimed design.

1 Claim, 8 Drawing Sheets



(56)

References Cited

U.S. PATENT DOCUMENTS

D787,237 S * 5/2017 Bowman D6/656.15
D787,522 S * 5/2017 Lee D14/451
D789,921 S * 6/2017 Skinner D14/336
D806,703 S * 1/2018 Skinner D14/336

* cited by examiner

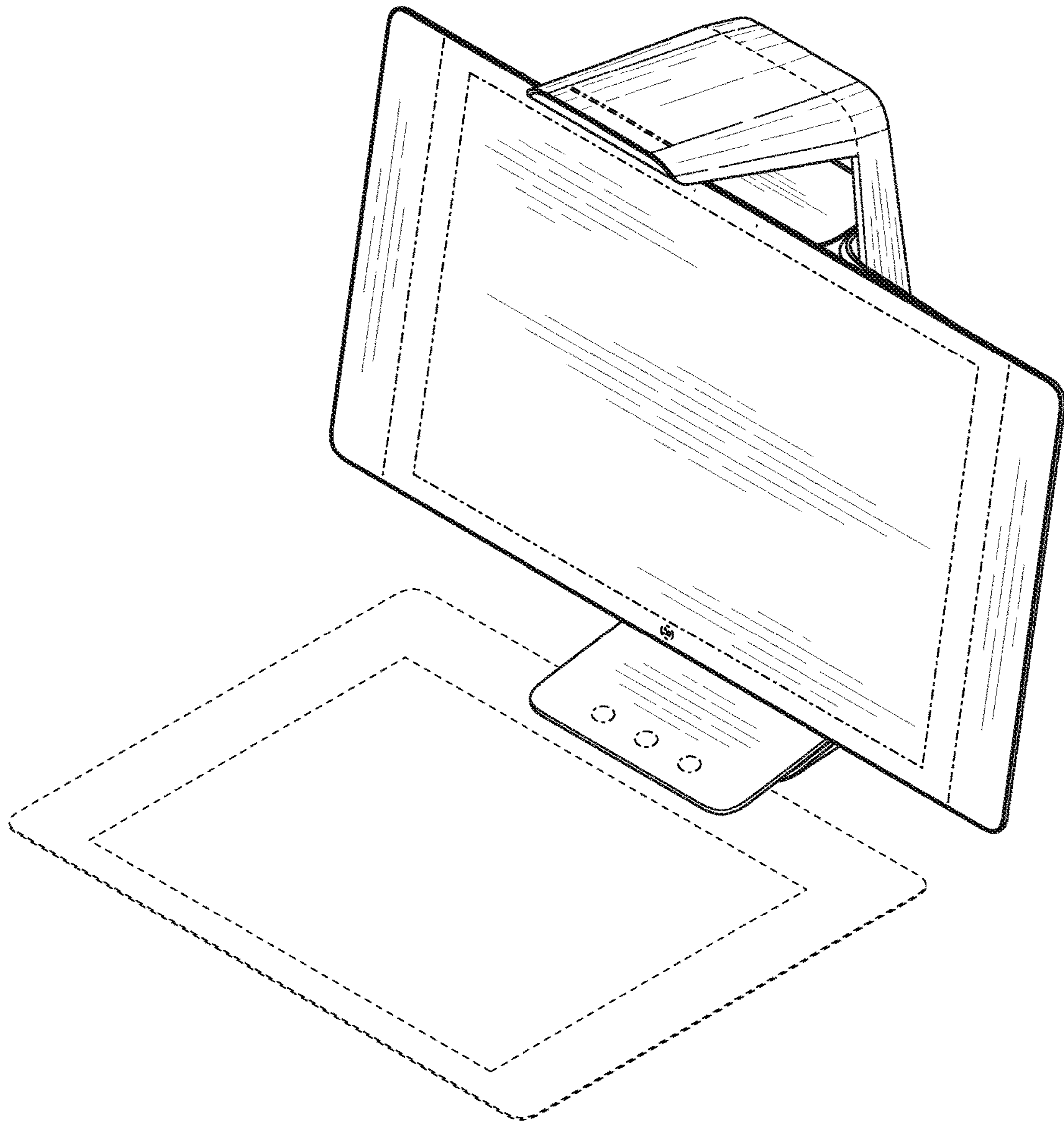


FIG. 1

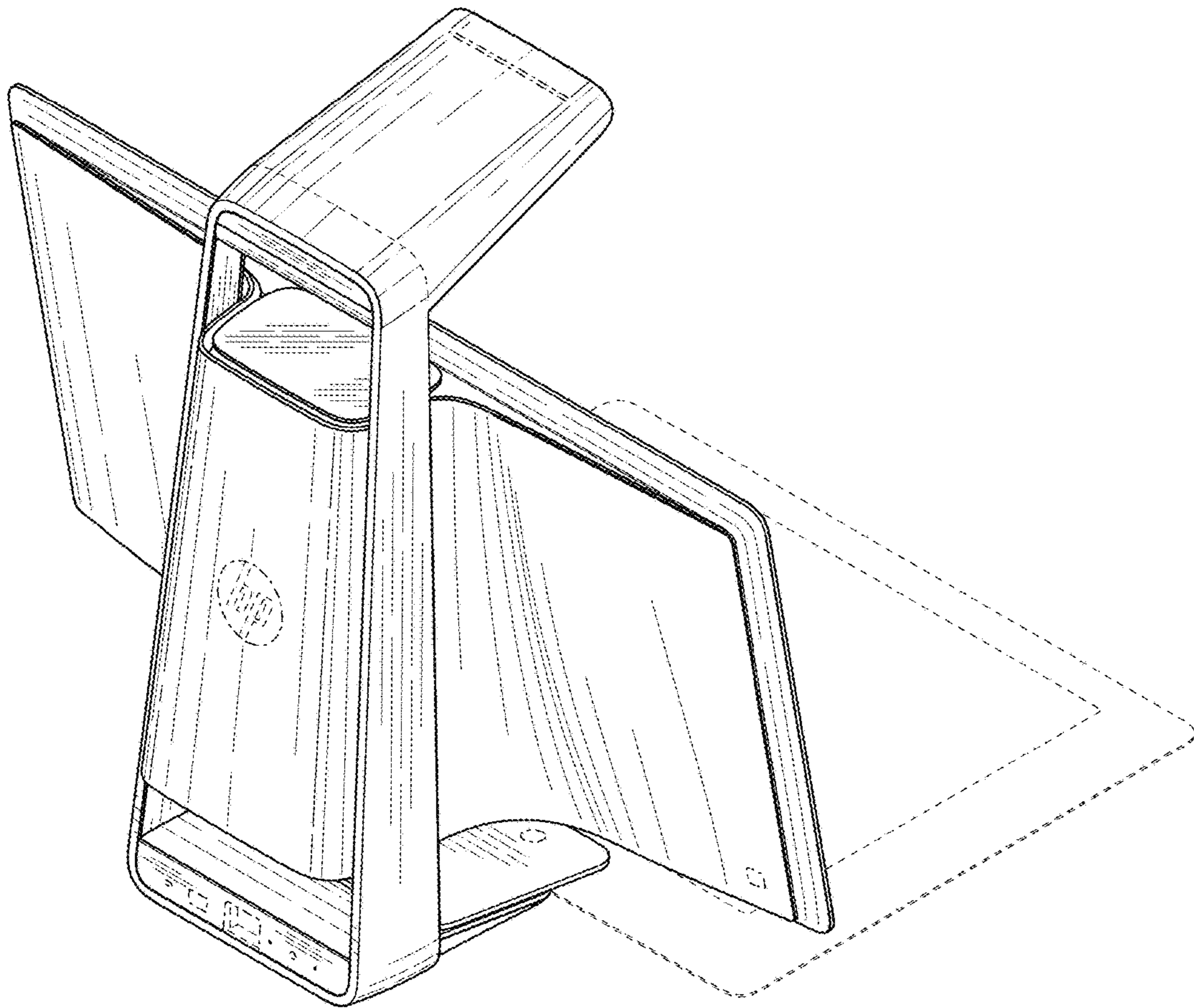


FIG.2

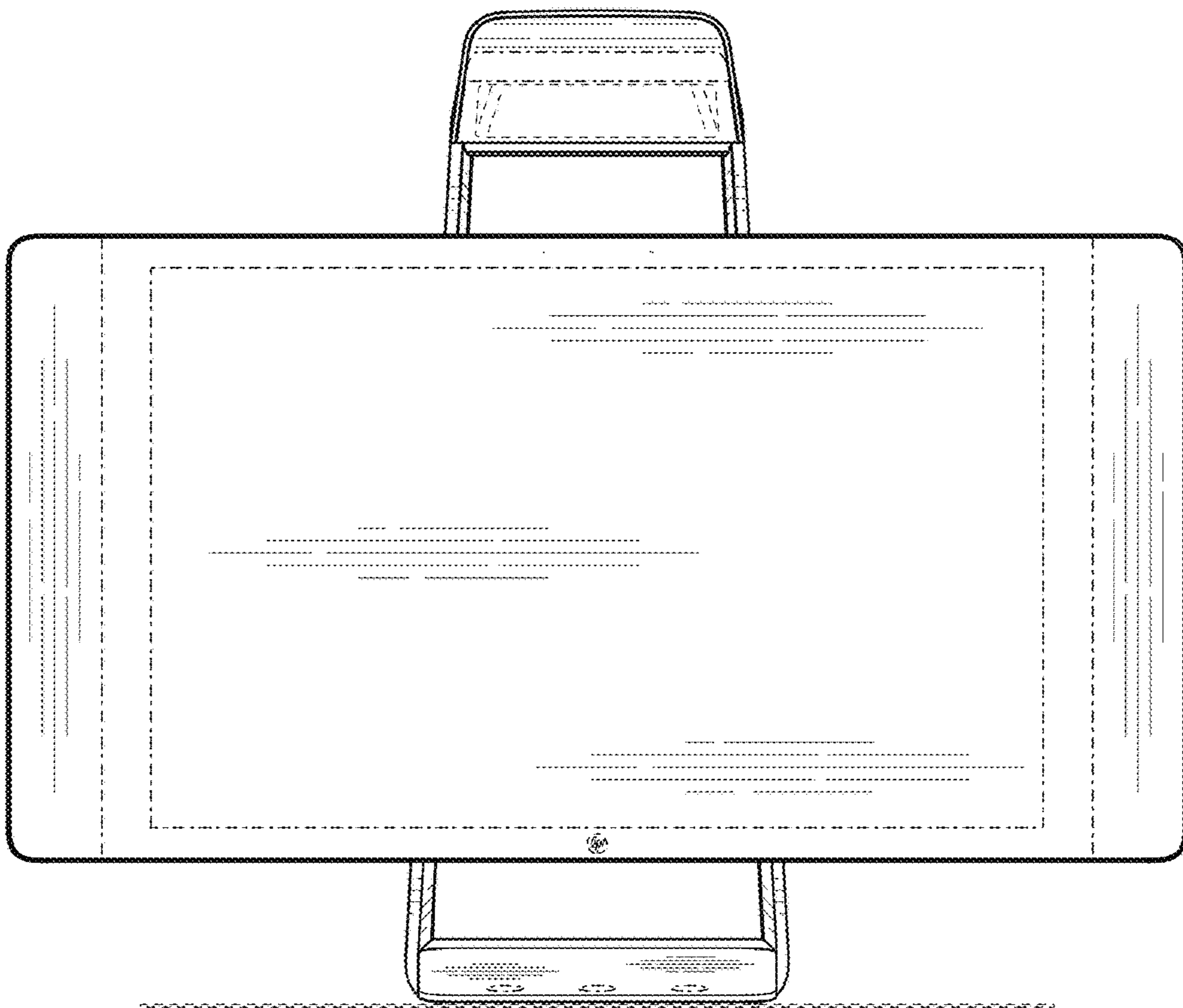


FIG.3

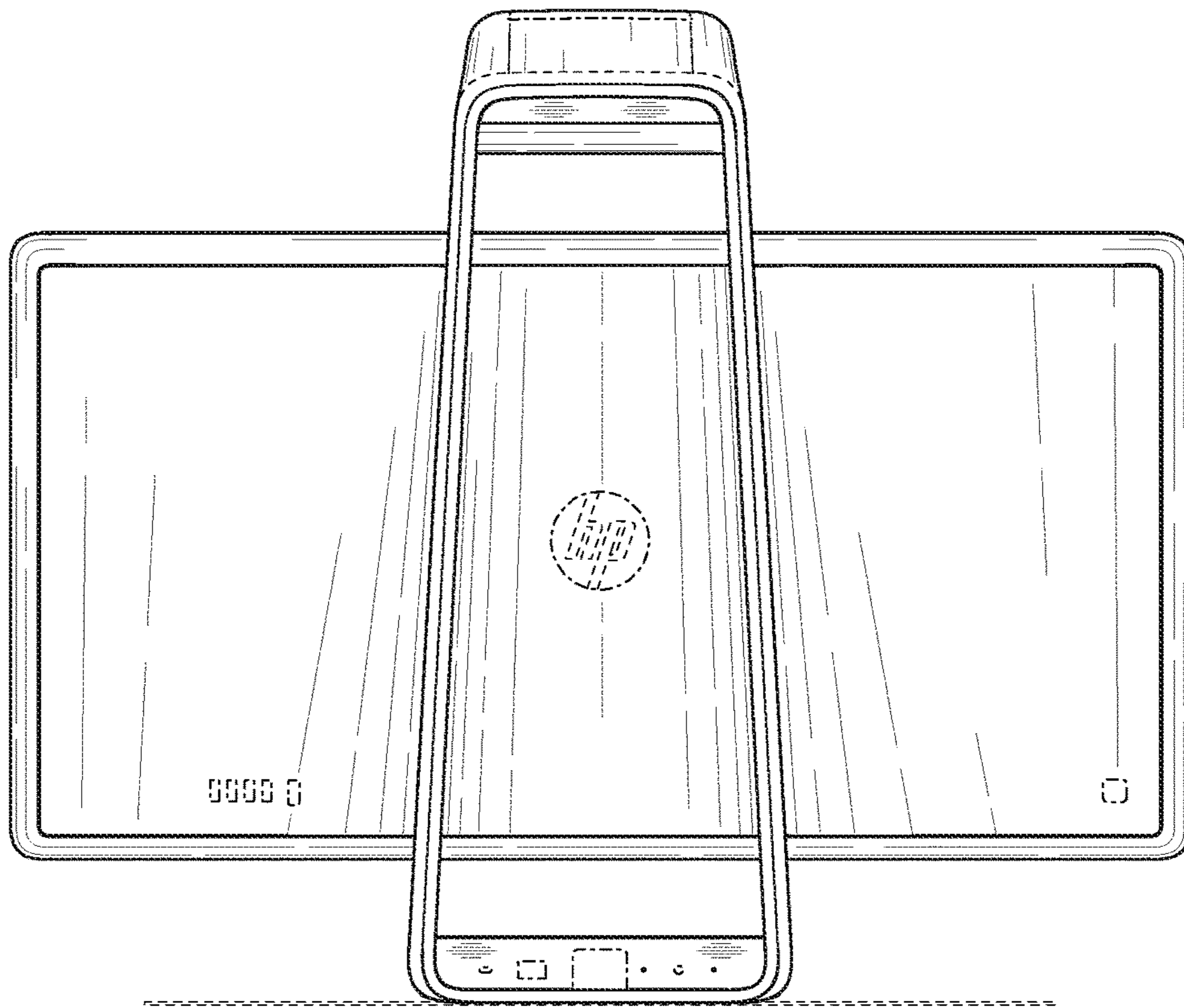


FIG. 4

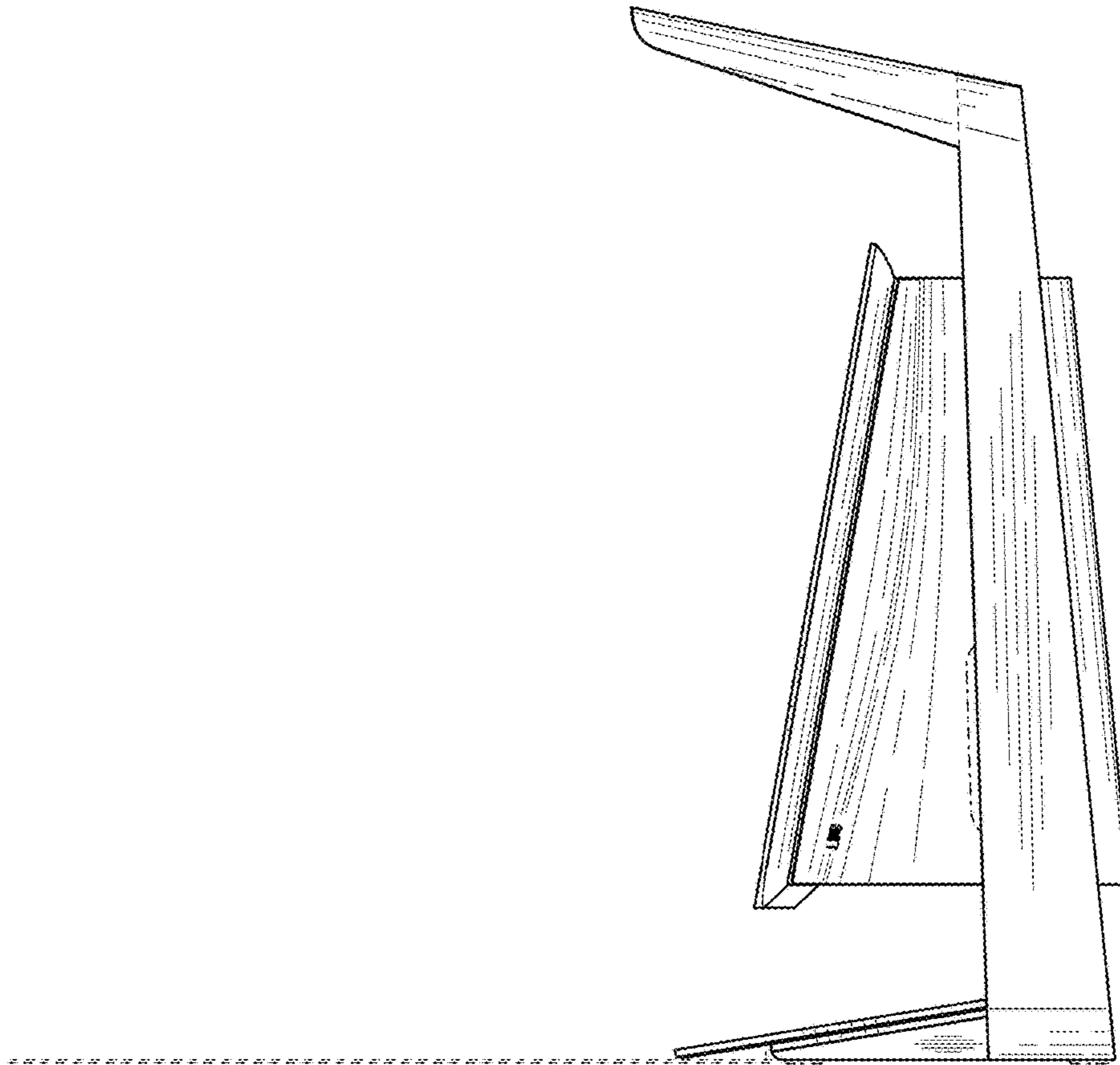


FIG.5

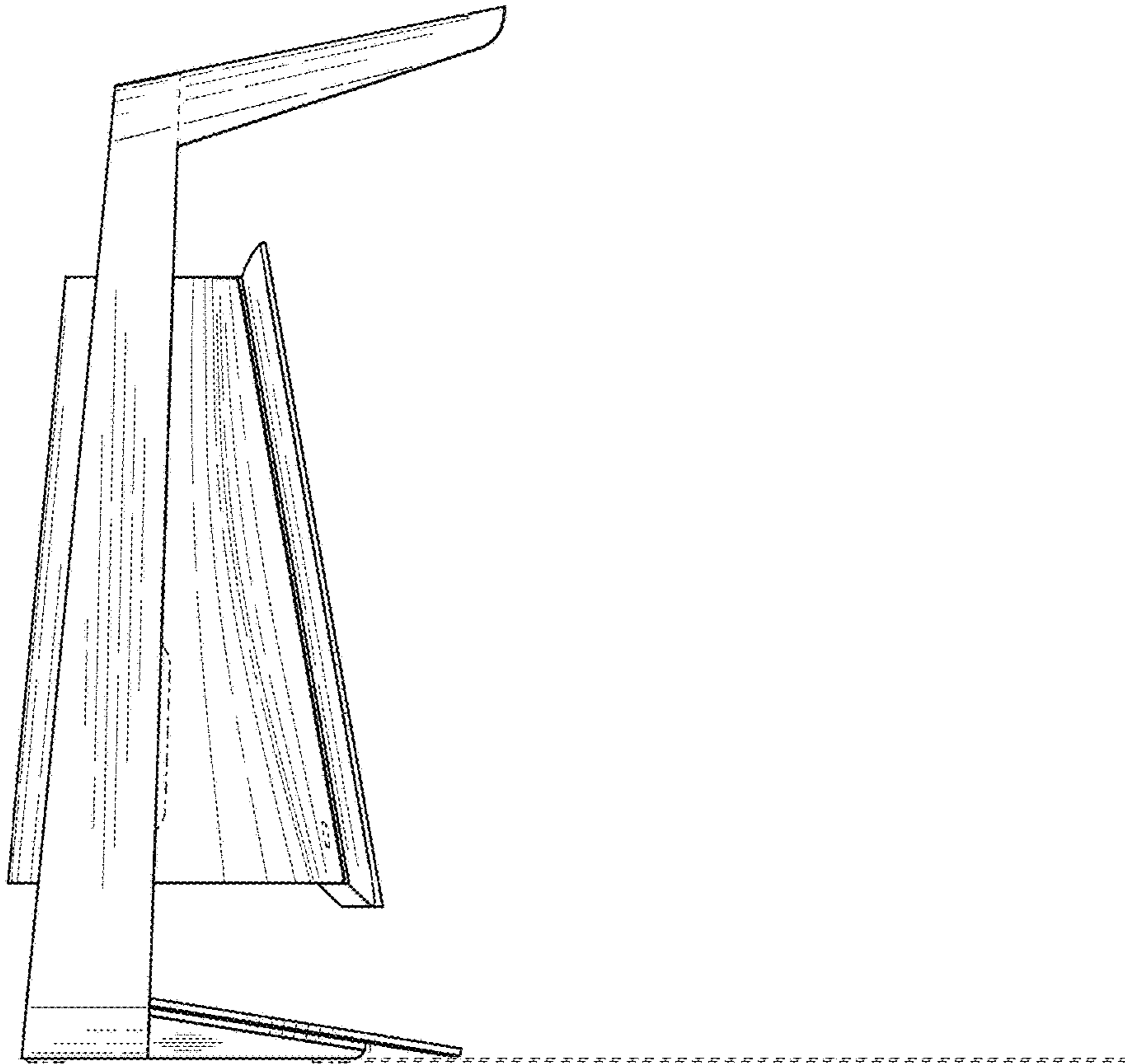


FIG.6

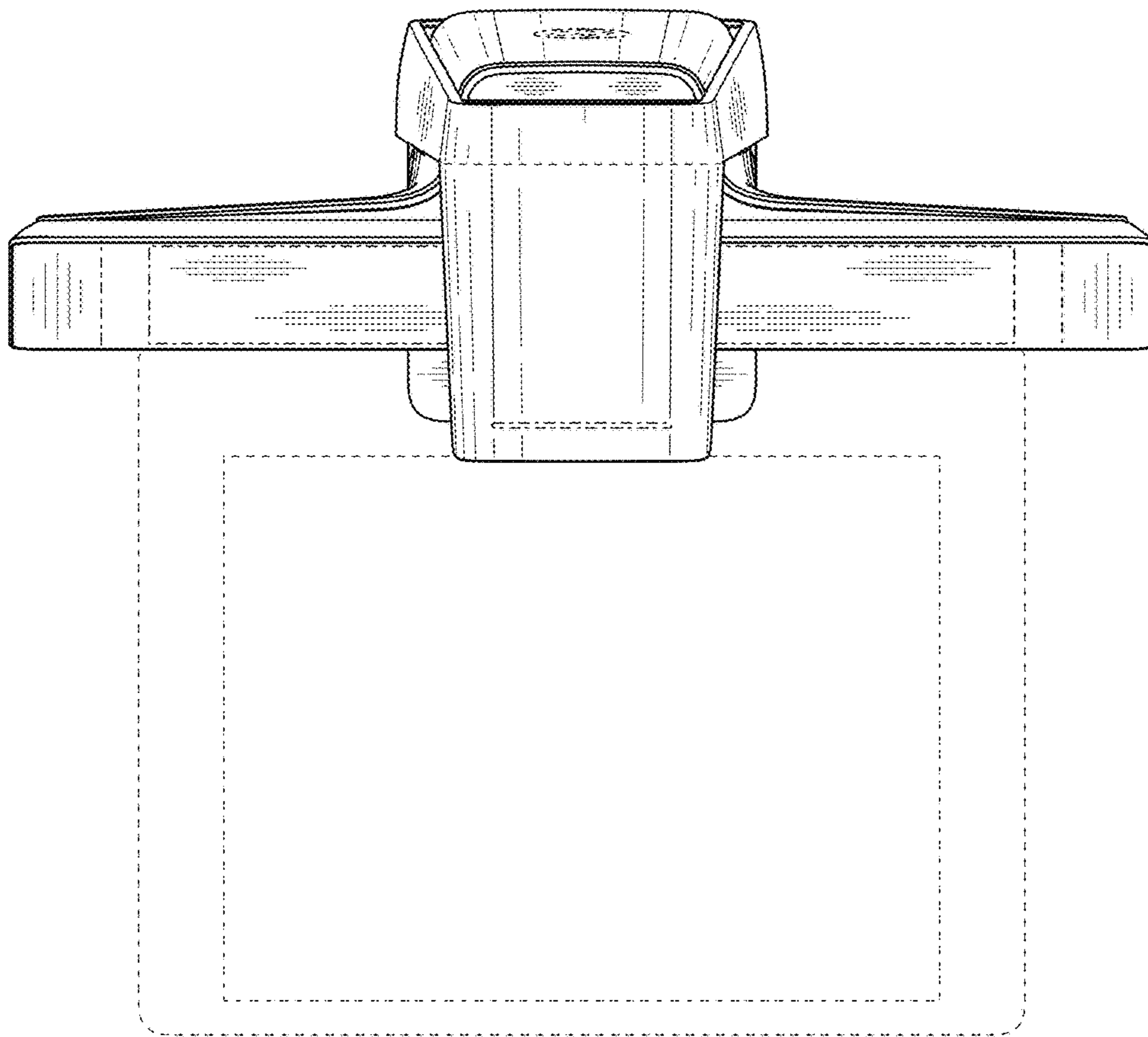


FIG. 7

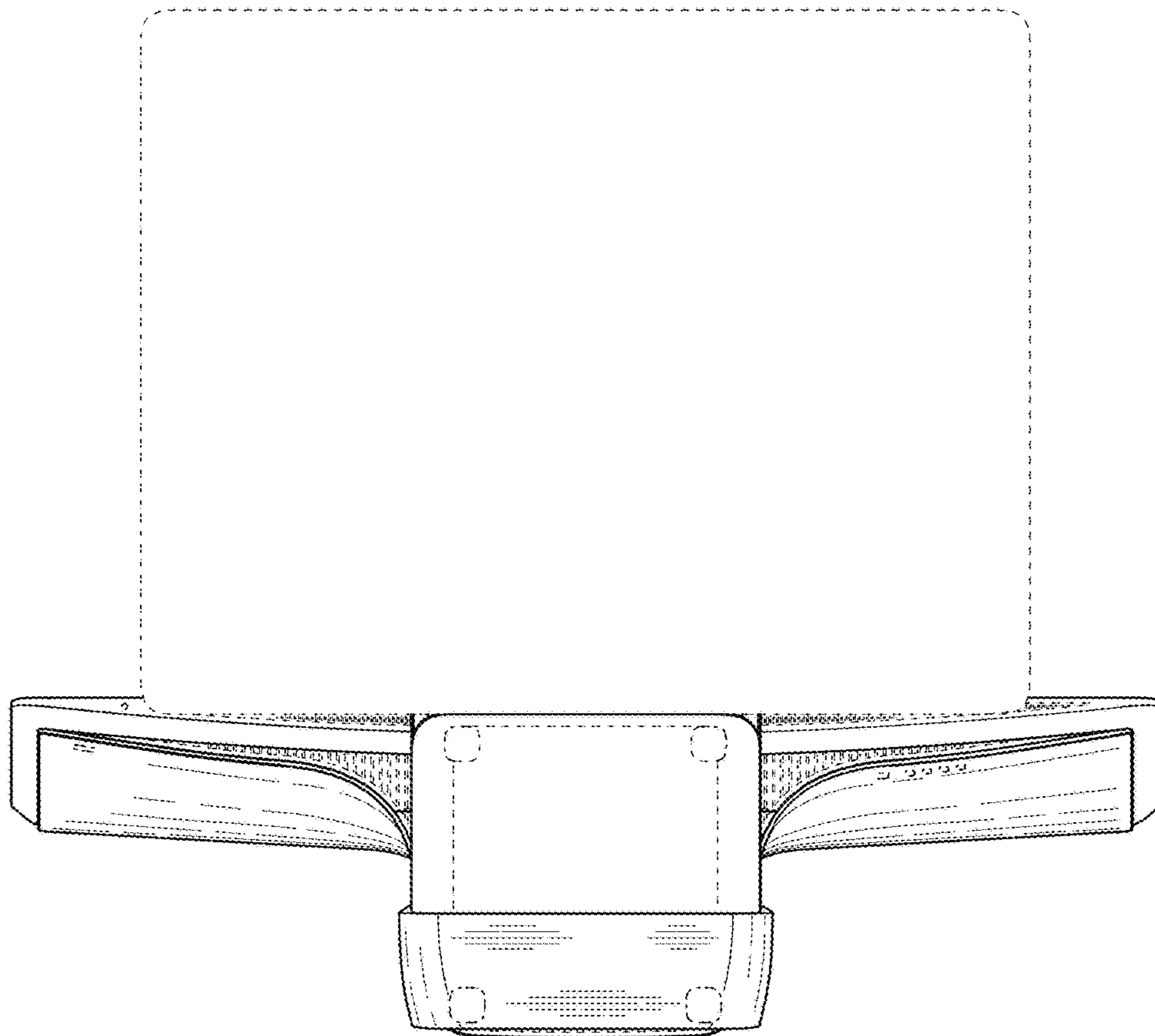


FIG.8

UNITED STATES PATENT AND TRADEMARK OFFICE
CERTIFICATE OF CORRECTION

PATENT NO. : D832,250 S
APPLICATION NO. : 29/566884
DATED : October 30, 2018
INVENTOR(S) : Glenn A. Wong et al.

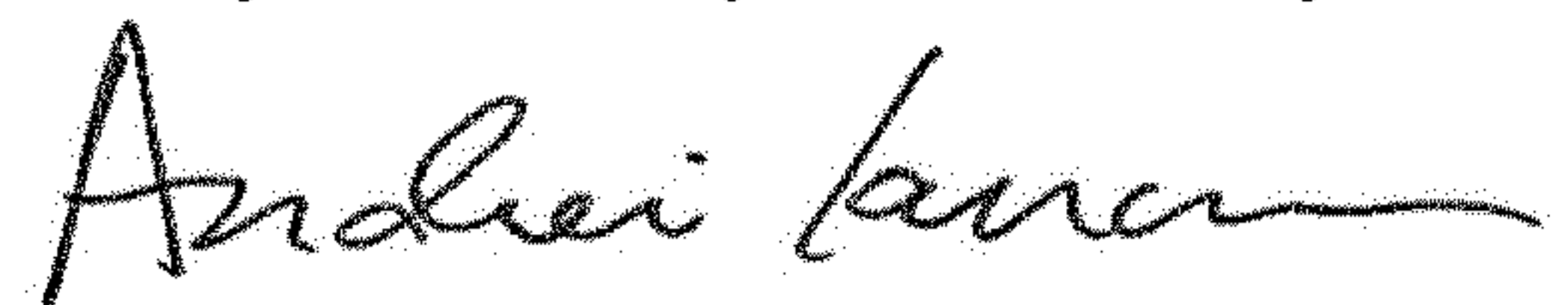
Page 1 of 1

It is certified that error appears in the above-identified patent and that said Letters Patent is hereby corrected as shown below:

On the Title Page

Column 2, item (57), DESCRIPTION, Line 18, after "while" delete "all".

Signed and Sealed this
Twenty-sixth Day of February, 2019



Andrei Iancu
Director of the United States Patent and Trademark Office