



US00D832249S

(12) **United States Design Patent** (10) **Patent No.:** **US D832,249 S**
Akana et al. (45) **Date of Patent:** **** Oct. 30, 2018**

(54) **ELECTRONIC DEVICE**

(71) Applicant: **Apple Inc.**, Cupertino, CA (US)

(72) Inventors: **Jody Akana**, San Francisco, CA (US);
Bartley K. Andre, Palo Alto, CA (US);
Jeremy Bataillou, San Francisco, CA (US);
Daniel J. Coster, San Francisco, CA (US);
Daniele De Iuliis, San Francisco, CA (US);
M. Evans Hankey, San Francisco, CA (US);
Julian Hoenig, San Francisco, CA (US);
Richard P. Howarth, San Francisco, CA (US);
Jonathan P. Ive, San Francisco, CA (US);
Duncan Robert Kerr, San Francisco, CA (US);
Matthew Dean Rohrbach, San Francisco, CA (US);
Peter Russell-Clarke, San Francisco, CA (US);
Benjamin Andrew Shaffer, San Jose, CA (US);
Mikael Silvano, San Francisco, CA (US);
Christopher J. Stringer, Woodside, CA (US);
Eugene Antony Whang, San Francisco, CA (US);
Rico Zörkendörfer, San Francisco, CA (US)

(73) Assignee: **Apple Inc.**, Cupertino, CA (US)

(**) Term: **15 Years**

(21) Appl. No.: **29/612,240**

(22) Filed: **Jul. 31, 2017**

Related U.S. Application Data

(63) Continuation of application No. 29/560,682, filed on Apr. 8, 2016, now Pat. No. Des. 797,096, which is a (Continued)

(51) **LOC (11) Cl.** **14-02**

(52) **U.S. Cl.**
USPC **D14/315**

(58) **Field of Classification Search**

USPC D14/315-327; D18/1, 2, 7, 11;
235/145 A, 145 R; 341/22, 23; 345/104,
(Continued)

(56) **References Cited**

U.S. PATENT DOCUMENTS

D293,467 S 12/1987 Elkerbout
D303,111 S 8/1989 Paley
(Continued)

OTHER PUBLICATIONS

Sony Vaio X505, available at least as early as May 8, 2005.
(Continued)

Primary Examiner — Freda S Nunn

(74) *Attorney, Agent, or Firm* — Saidman DesignLaw Group, LLC

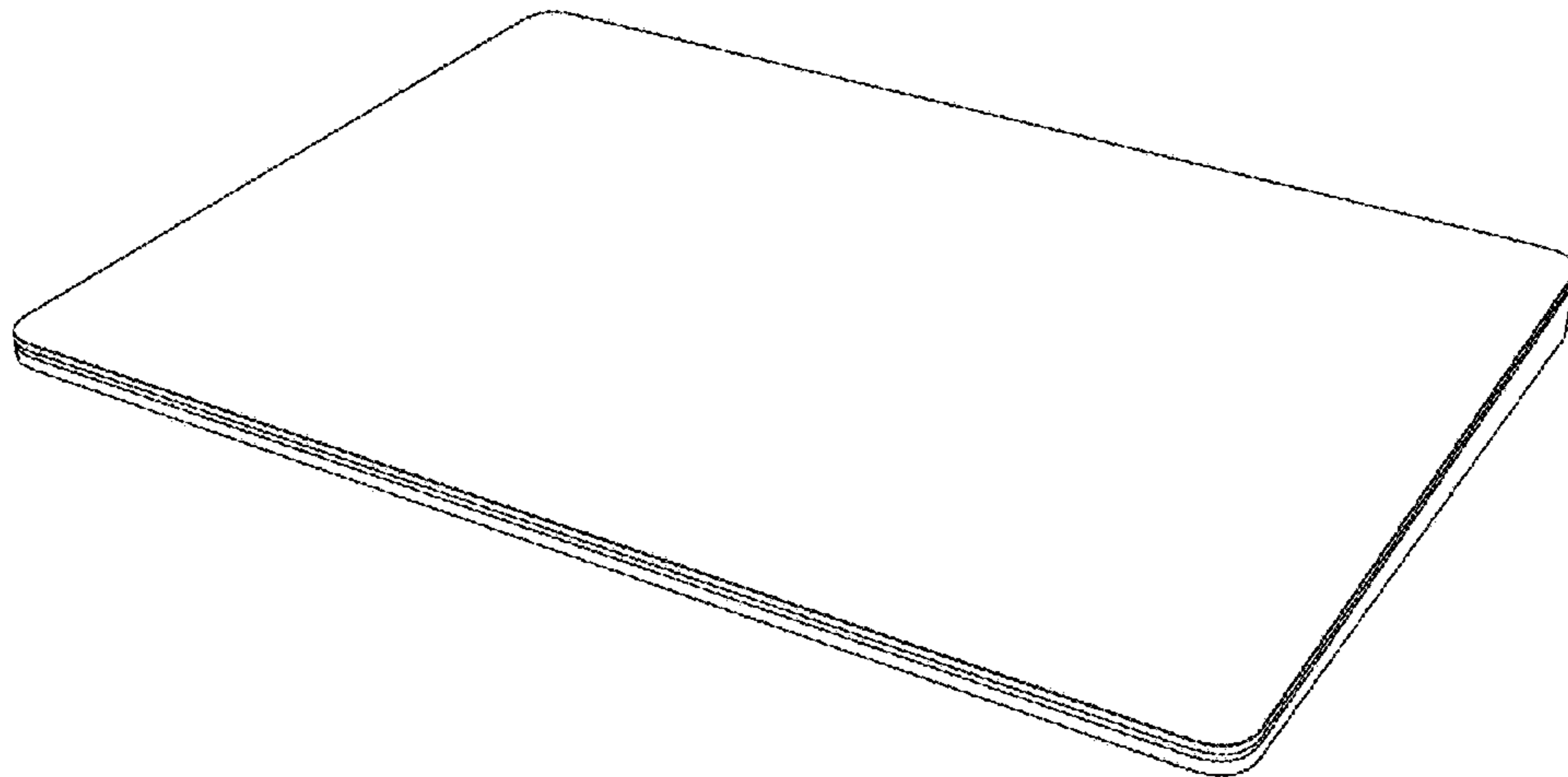
(57) **CLAIM**

The ornamental design for an electronic device, as shown and described.

DESCRIPTION

FIG. 1 is a top front perspective view of an electronic device showing our new design;
FIG. 2 is a top rear perspective view thereof;
FIG. 3 is a bottom rear perspective view thereof;
FIG. 4 is a bottom front rear perspective view thereof;
FIG. 5 is a front view thereof;
FIG. 6 is a rear view thereof;
FIG. 7 is a left side view thereof;
FIG. 8 is a right side view thereof;
FIG. 9 is a top view thereof; and,
FIG. 10 is a bottom view thereof.

1 Claim, 4 Drawing Sheets



Related U.S. Application Data

continuation of application No. 29/533,841, filed on Jul. 22, 2015, now Pat. No. Des. 772,861.

(58) **Field of Classification Search**

USPC 345/156, 168, 169, 173; 361/679.08, 361/679.09, 679.11, 679.26, 679.27
 CPC G06F 1/16; G06F 1/1616; G06F 1/1626; G06F 1/1632; G06F 1/1613; G06F 1/1601; G06F 1/1618; G06F 1/162; G06F 1/166; G06F 1/1654; G06F 1/1681; G06F 1/1637; G06F 1/1688; G06F 1/1656; H01R 35/02; H03M 11/00; G09B 13/04; H03K 17/94; G09G 5/00; F16M 11/10; H05K 5/00; H04M 1/0237

See application file for complete search history.

(56) **References Cited**

U.S. PATENT DOCUMENTS

D310,209 S	8/1990	Kasprzycki
D316,549 S	4/1991	Hampf
D334,398 S	3/1993	Conard
D335,660 S	5/1993	Busch
D338,452 S	8/1993	Allgeier
D344,724 S	3/1994	Pangburn
D346,161 S	4/1994	Oh et al.
D348,875 S	7/1994	Wang
5,439,304 A	8/1995	Phillips et al.
5,717,430 A	2/1998	Copland et al.
D420,997 S	2/2000	Jordan
D430,875 S	9/2000	Beecroft
D436,951 S	1/2001	Andresen
D445,793 S	7/2001	Ji
D446,520 S	8/2001	Ji
D447,136 S	8/2001	Groves et al.
D454,566 S	3/2002	Andre et al.
D485,271 S	1/2004	Kamegi
D490,812 S	6/2004	Andre et al.
D501,472 S	2/2005	Kumano
D501,660 S	2/2005	Kumano
D514,098 S	1/2006	Huang et al.
D518,053 S	3/2006	Chen
D526,319 S	8/2006	Ohno
D529,910 S	10/2006	Ota
7,167,158 B2	1/2007	Silverbrook
D543,544 S	5/2007	Cheng
D556,758 S	12/2007	Nguyen et al.
D558,753 S	1/2008	Andre et al.
D572,246 S	7/2008	Andre et al.
D574,378 S	8/2008	Andre et al.
D579,450 S	10/2008	Ozolins et al.
D580,433 S	11/2008	Chiang et al.
D588,126 S	3/2009	Chiang et al.
7,548,220 B2	6/2009	Silverbrook
7,567,221 B2	7/2009	Silverbrook
D598,451 S	8/2009	Andre et al.
D600,688 S	9/2009	Andre et al.
D603,861 S	11/2009	Hong et al.
D604,289 S	11/2009	Andre et al.
D604,294 S	11/2009	Andre et al.
D604,300 S	11/2009	Andre et al.
D604,736 S	11/2009	Andre et al.
D606,068 S	12/2009	Hong et al.
D606,534 S	12/2009	Hong et al.
D607,450 S	1/2010	Morishita et al.

D611,469 S	3/2010	Andre et al.	
D612,843 S	3/2010	Andre et al.	
D612,844 S	3/2010	Andre et al.	
D613,284 S	4/2010	Solomon et al.	
D616,880 S	6/2010	Andre et al.	
D616,881 S	6/2010	Andre et al.	
D616,886 S	6/2010	Andre et al.	
D621,402 S	8/2010	Andre et al.	
D625,310 S	10/2010	Andre et al.	
D625,717 S	10/2010	Andre et al.	
D633,093 S	2/2011	Andre et al.	
D633,498 S	3/2011	Andre et al.	
D635,566 S	4/2011	Andre et al.	
D640,695 S	6/2011	Andre et al.	
D641,021 S	7/2011	Andre et al.	
D642,172 S	7/2011	Akana et al.	
D642,560 S	8/2011	Akana et al.	
D649,549 S	11/2011	Andre et al.	
D651,206 S	* 12/2011	Kim	D14/315
D652,032 S	1/2012	Akana et al.	
D655,704 S	3/2012	Akana et al.	
D661,296 S	6/2012	Akana et al.	
D662,497 S	6/2012	Akana et al.	
D662,935 S	7/2012	Andre et al.	
D664,144 S	7/2012	Akana et al.	
D664,537 S	7/2012	Hu et al.	
D667,404 S	9/2012	Akana et al.	
D681,031 S	4/2013	Lee et al.	
D685,784 S	7/2013	Ma	
D687,030 S	7/2013	Andre et al.	
D687,031 S	7/2013	Chen et al.	
D691,129 S	10/2013	Akana et al.	
D695,291 S	12/2013	Andre et al.	
D696,244 S	12/2013	Akana et al.	
D696,659 S	12/2013	Chen et al.	
D696,660 S	12/2013	Chen et al.	
D696,661 S	12/2013	Chen et al.	
D706,772 S	6/2014	Koyama et al.	
D708,179 S	7/2014	Andre et al.	
D729,227 S	5/2015	Fukuoka	
D741,851 S	* 10/2015	Kim	D14/315
D772,861 S	11/2016	Akana et al.	
D772,885 S	11/2016	Akana et al.	
D772,886 S	11/2016	Akana et al.	
D773,474 S	12/2016	Akana et al.	
2012/0099264 A1	4/2012	Degner et al.	

OTHER PUBLICATIONS

Sony X505 Keyboard, available at least as early as May 8, 2005.
 Sony VAIO PCG-4G1L, available at least as early as May 8, 2006.
 Olidata Altro, available at least as early as Jun. 1, 2009.
 Olidata Altro, <http://notebookitalia.it/olidata-altro-italian-style-notebook-culv-5674.html>, published Mar. 3, 2009.
 Rudi, 13-inch MacBook Air has a modern interior, Nov. 2, 2011, prohardver, 2pgs.
 Logitech Touchpad T650, <<http://www.cnet.com/products/logitech-wireless-rechargeable-touchpad-t650/>>, available Dec. 17, 2012.
 Logitech—T650 Rechargeable Wireless USB Touchpad—Dark Gray, <<http://www.bestbuy.com/site/logitech-t650-rechargeable-wireless-usb-touchpad-dark-gray/6640676.p?skuId=6640676>>, available at least as early as Dec. 26, 2016.
 U.S. Appl. No. 29/361,525 to Jody Akana et al., titled “Electronic Device”, filed May 12, 2010 (unpublished).
 U.S. Appl. No. 29/476,137 to Jody Akana et al., titled “Electronic Device”, filed Dec. 11, 2013 (unpublished).

* cited by examiner

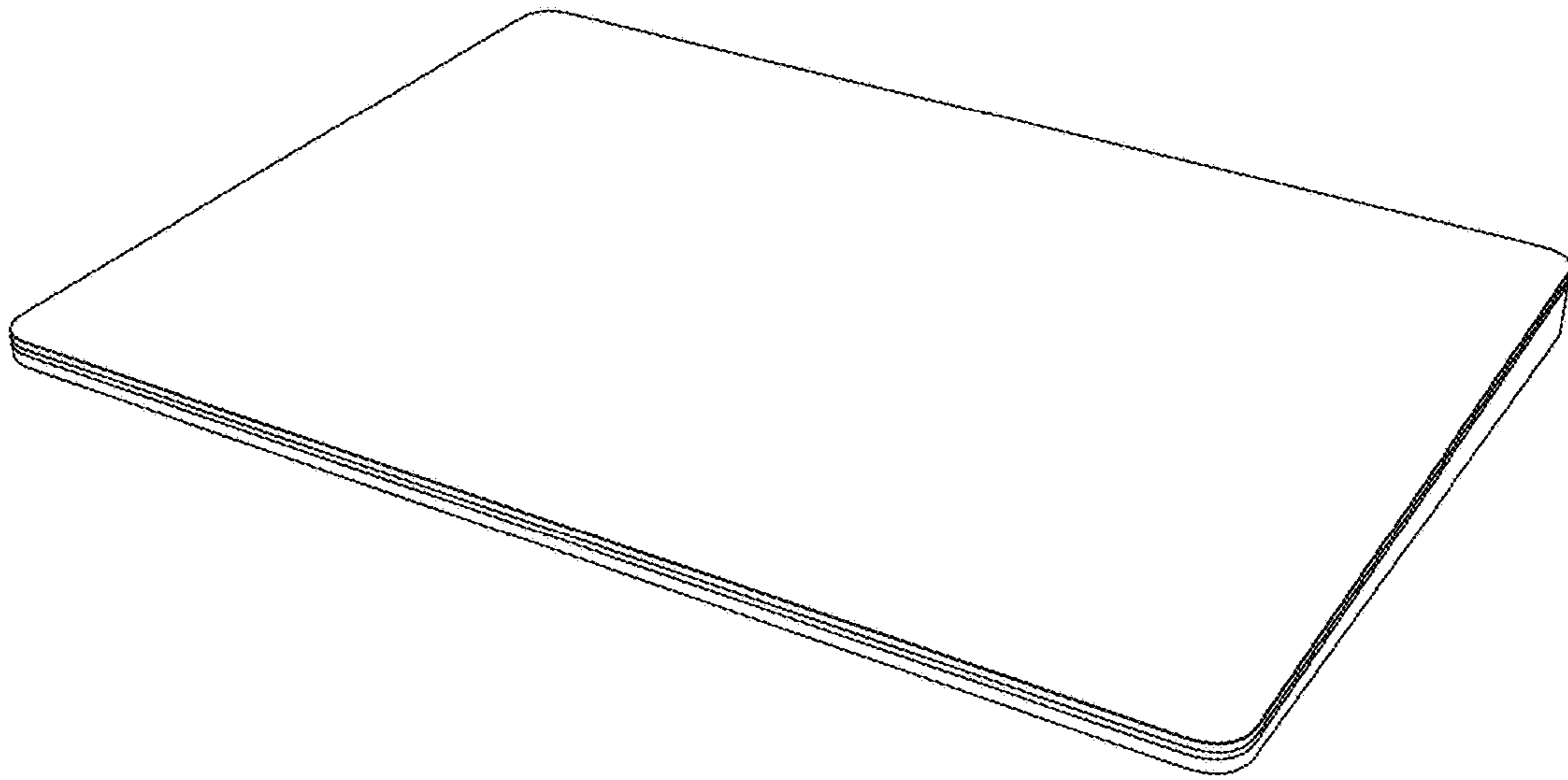


Fig. 1

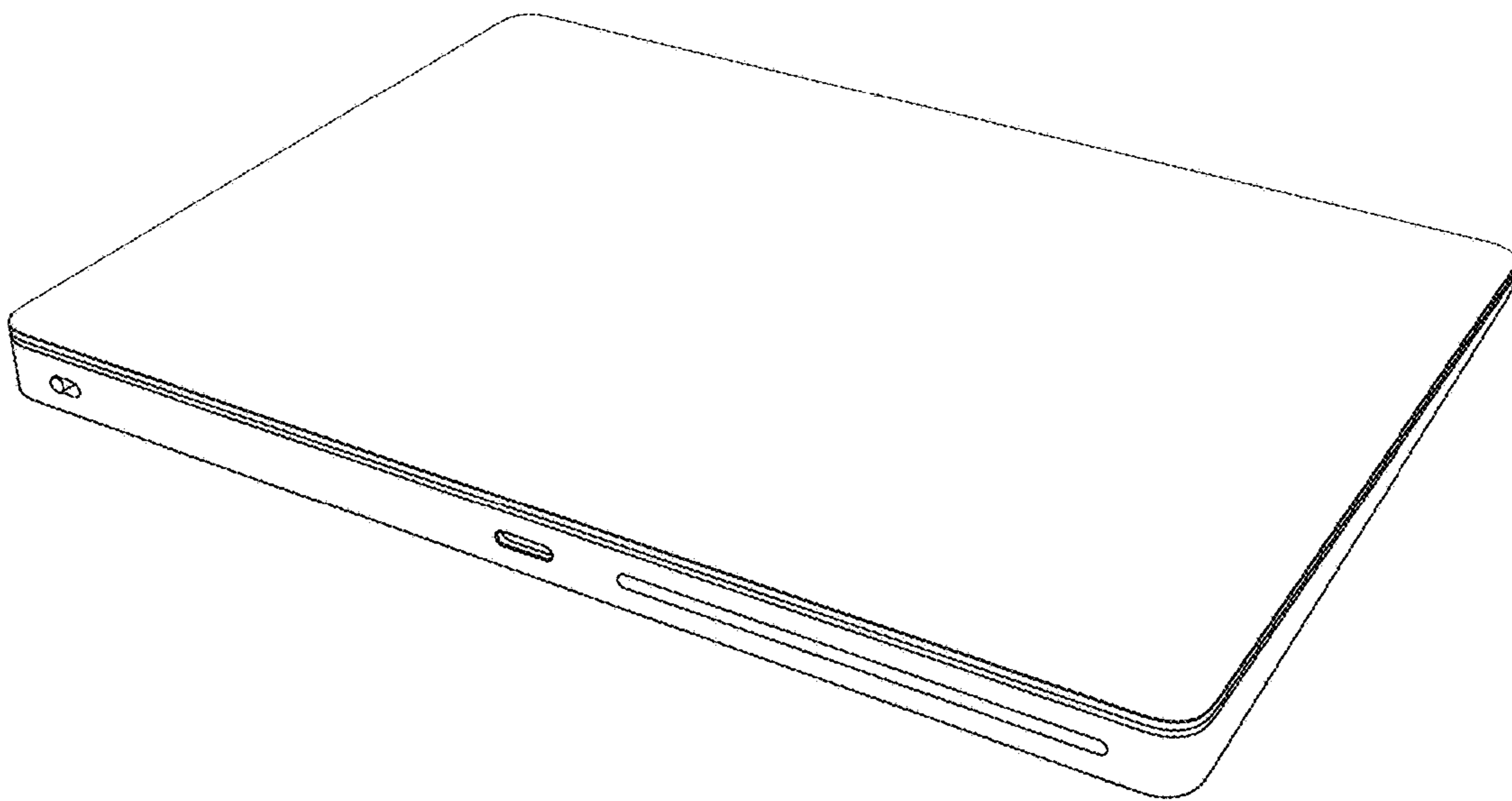


Fig. 2

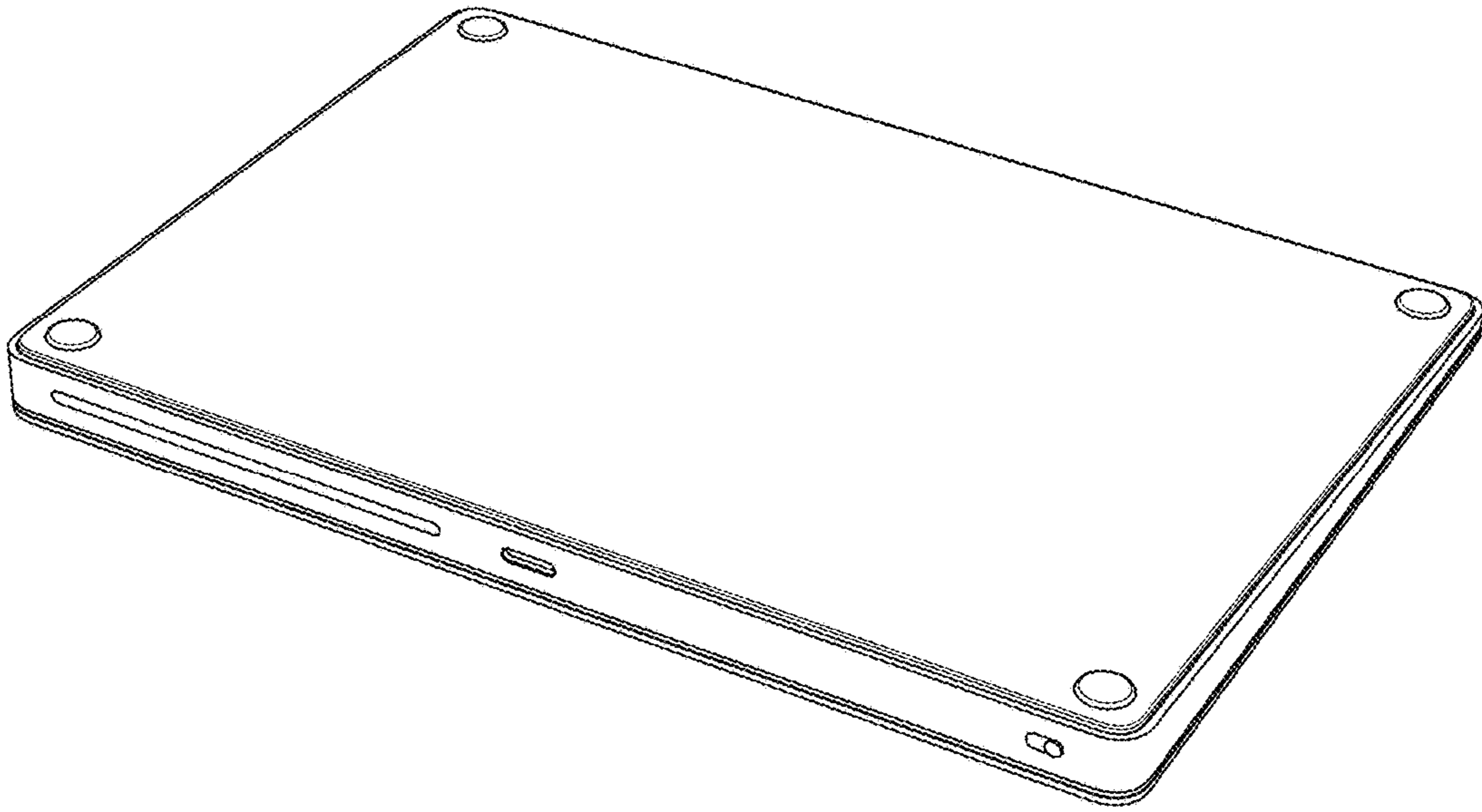


Fig. 3

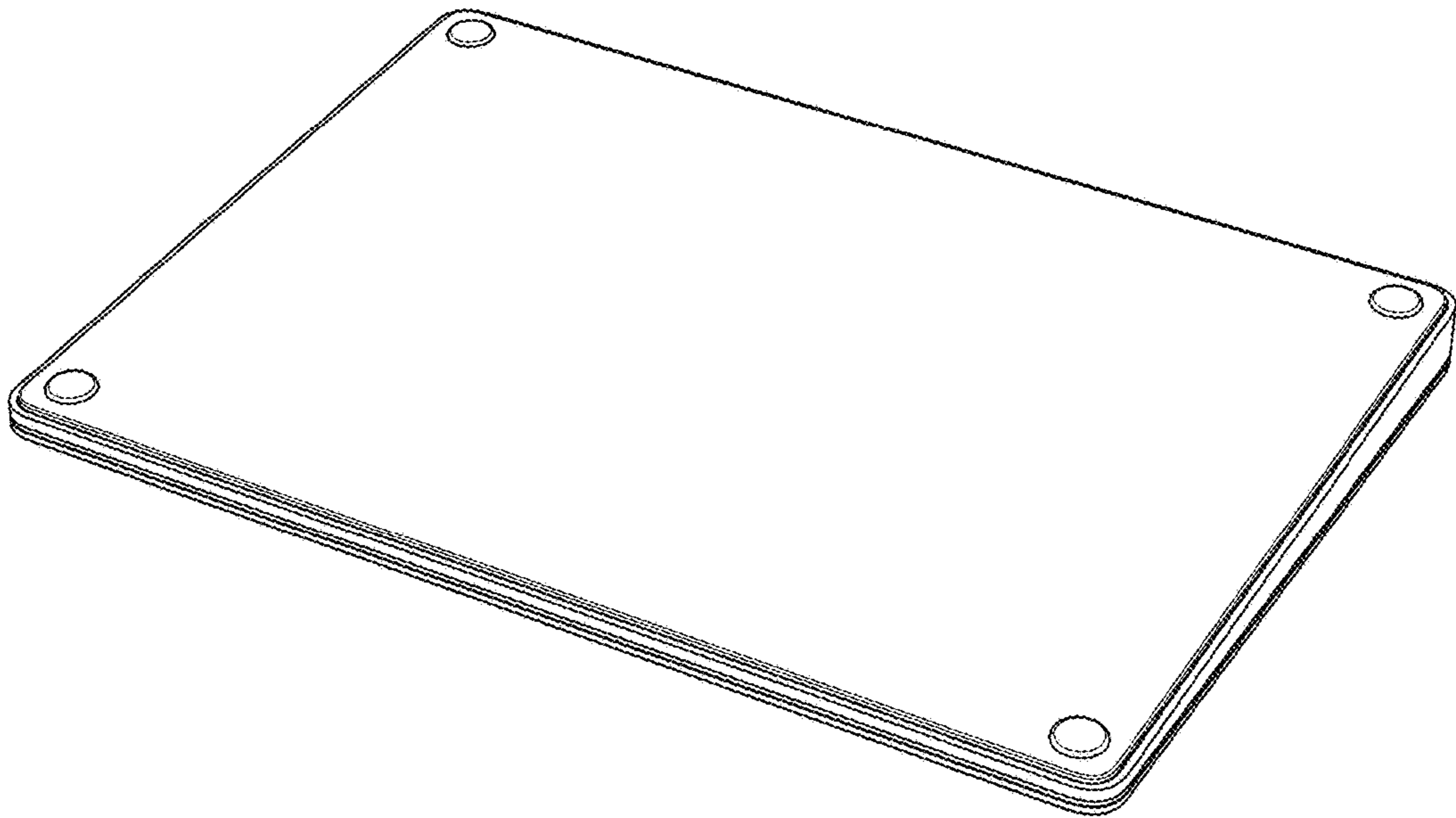


Fig. 4

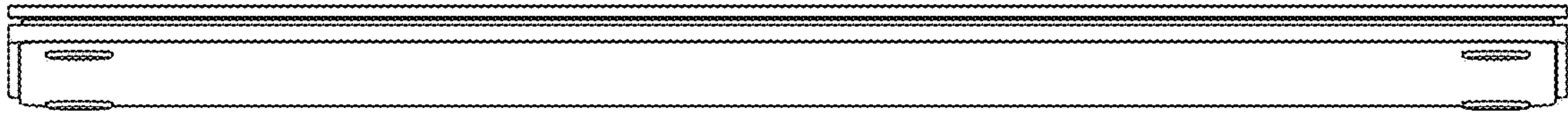


Fig. 5

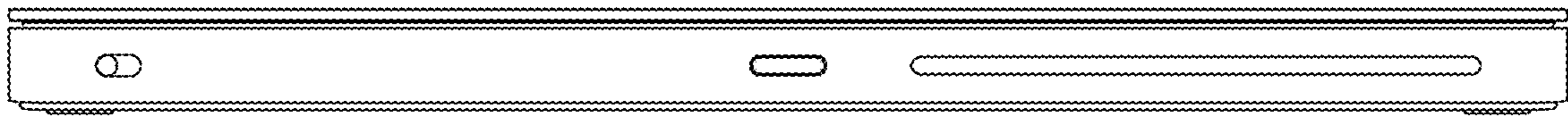


Fig. 6

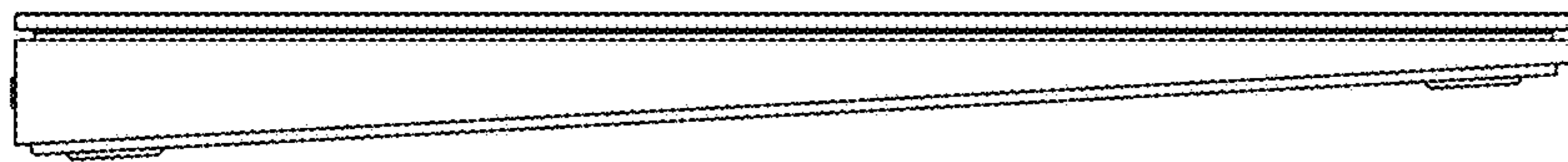


Fig. 7

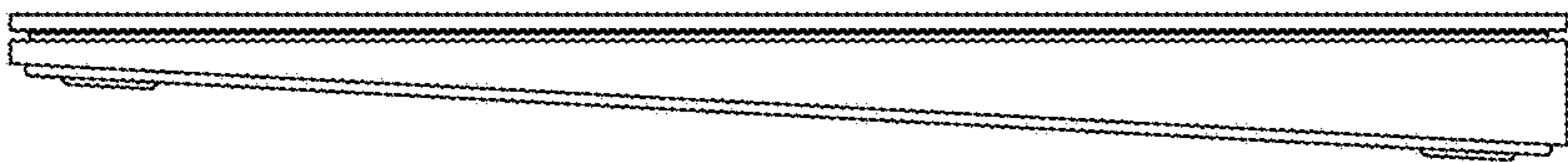


Fig. 8

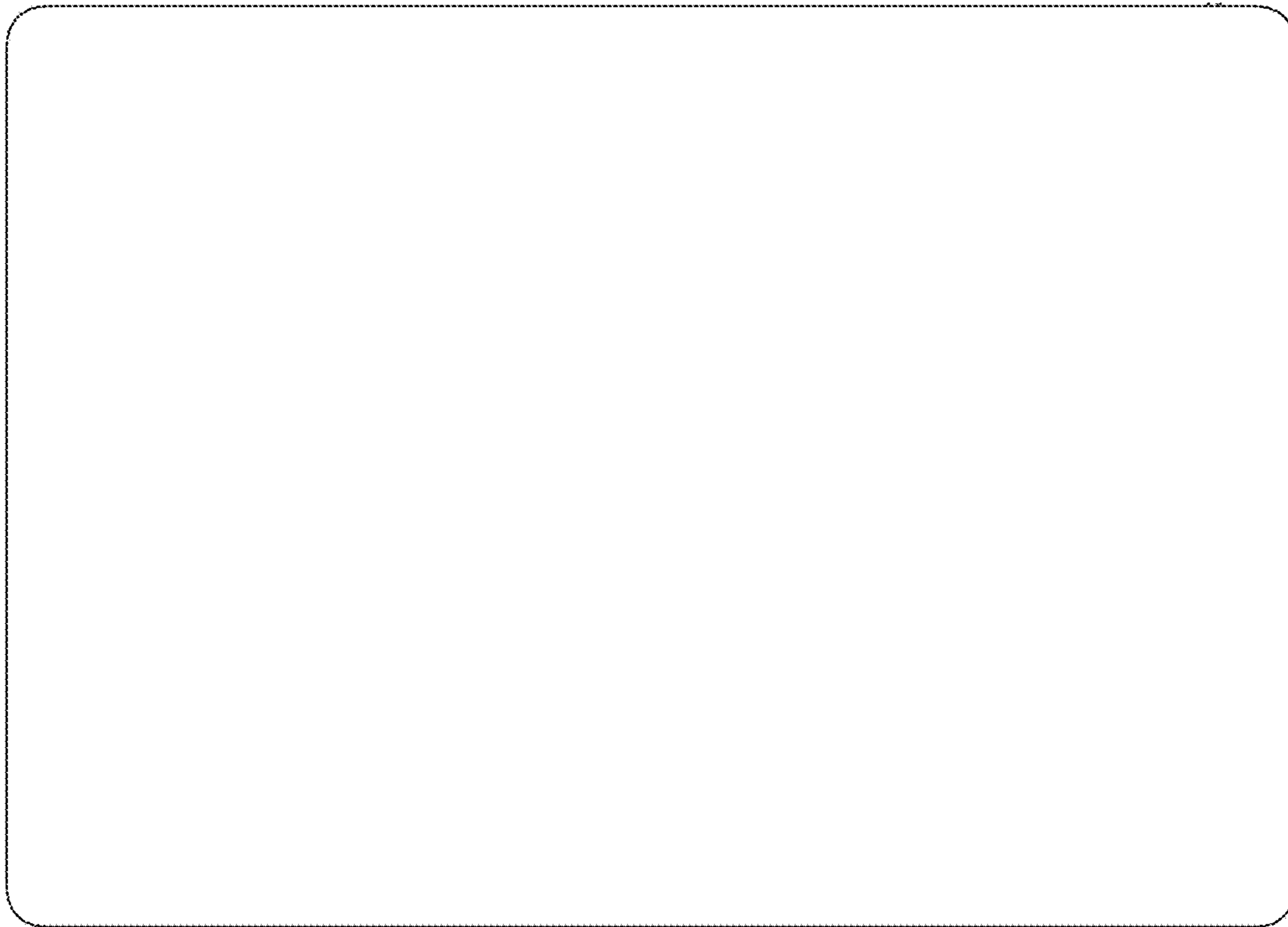


Fig. 9

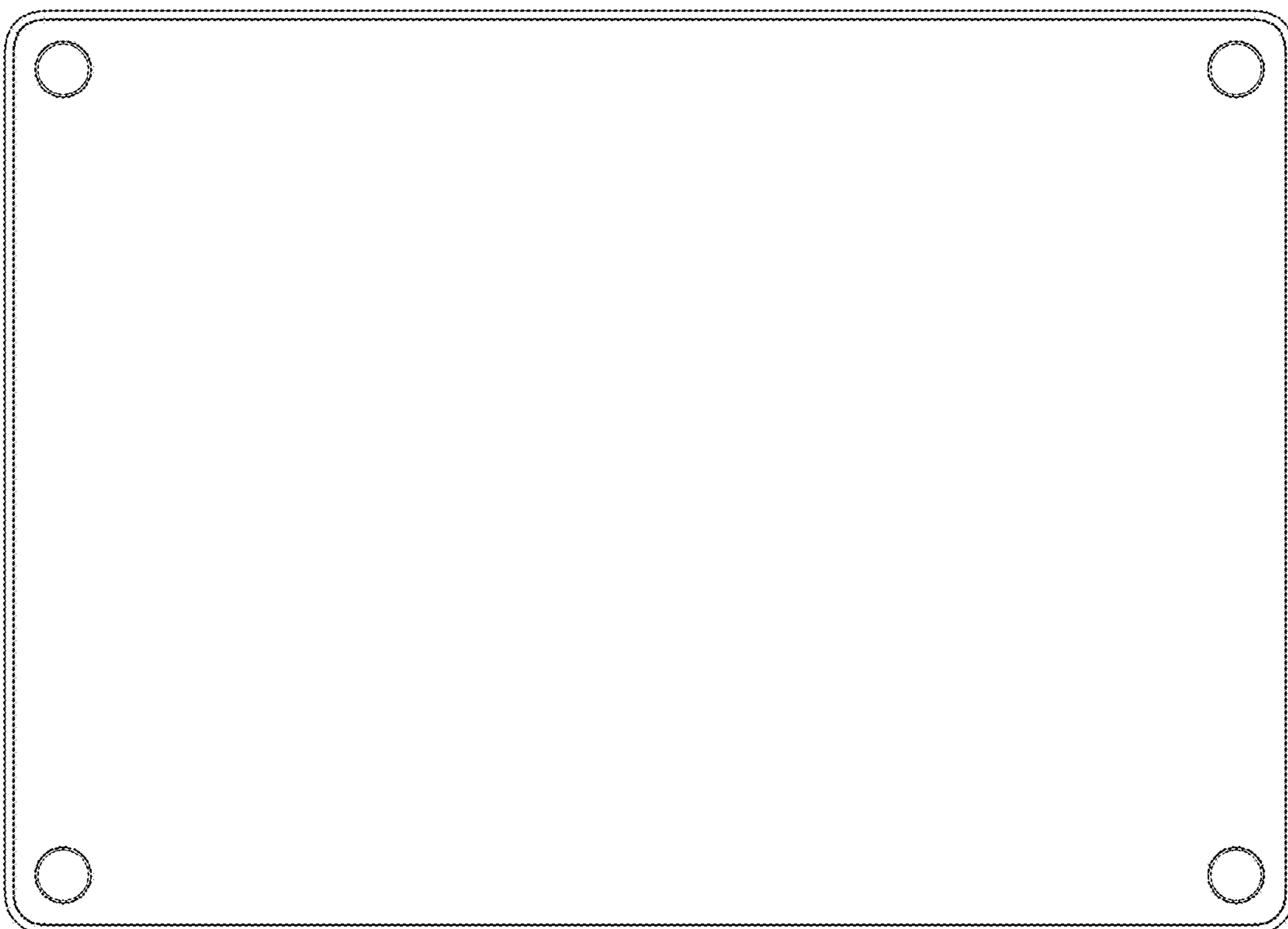


Fig. 10