



US00D832248S

(12) **United States Design Patent**
Sukphist et al.

(10) **Patent No.:** **US D832,248 S**
(45) **Date of Patent:** **** Oct. 30, 2018**

(54) **MOUNT AND HOLDER COMBINATION FOR MOBILE DEVICES**

(71) Applicant: **IOTTIE, INC.**, New York, NY (US)

(72) Inventors: **Phistsuk Paul Sukphist**, Englewood, NJ (US); **Jeremy Leeds Frank**, Glen Head, NJ (US)

(73) Assignee: **IOTTIE, INC.**, New York, NY (US)

(**) Term: **15 Years**

(21) Appl. No.: **29/550,751**

(22) Filed: **Jan. 6, 2016**

(51) **LOC (11) Cl.** **14-03**

(52) **U.S. Cl.**
USPC **D14/253**

(58) **Field of Classification Search**
USPC D14/251–253, 447, 451, 452, 440, 434, D14/458, 432, 439, 457, 460, 238.1, 140, D14/142, 149, 217; D12/415; D3/218
(Continued)

(56) **References Cited**

U.S. PATENT DOCUMENTS

D658,169 S * 4/2012 Mo D14/253
D685,379 S * 7/2013 Richter D14/253
(Continued)

Primary Examiner — Janice Hallmark

(74) *Attorney, Agent, or Firm* — Lucas & Mercanti, LLP

(57) **CLAIM**

The ornamental design for mount and holder combination for mobile devices, as shown and described.

DESCRIPTION

FIG. 1 is a front isometric view of a mount and holder combination for mobile devices showing our new design;

FIG. 2 is a front view of a mount and holder combination for mobile devices showing our new design;

FIG. 3 is a right side view of a mount and holder combination for mobile devices showing our new design;

FIG. 4 is a left side view of a mount and holder combination for mobile devices showing our new design;

FIG. 5 is a top view of a mount and holder combination for mobile devices showing our new design;

FIG. 6 is a front isometric view of a mount and holder combination for mobile devices showing our new design;

FIG. 7 is a front view of a mount and holder combination for mobile devices showing our new design;

FIG. 8 is a top view of a mount and holder combination for mobile devices showing our new design;

FIG. 9 is a right side view of a mount for a mount and holder combination for mobile devices showing our new design;

FIG. 10 is a left side view of a mount for a mount and holder combination for mobile devices showing our new design;

FIG. 11 is a bottom view of a mount for a mount and holder combination for mobile devices showing our new design;

FIG. 12 is a front isometric view of a mount and holder combination for mobile devices showing our new design, having the arm extended;

FIG. 13 is a front view of a mount and holder combination for mobile devices showing our new design, having the arm extended;

FIG. 14 is a top view of a mount and holder combination for mobile devices showing our new design, having the arm extended;

FIG. 15 is a right side view of a mount and holder combination for mobile devices showing our new design, having the arm extended;

FIG. 16 is a left side view of a mount and holder combination for mobile devices showing our new design, having the arm extended;

FIG. 17 is a bottom view of a mount and holder combination for mobile devices showing our new design, having the arm extended;

FIG. 18 is a front isometric view of a mount and holder combination for mobile devices showing our new design, having the arm extended and raised;

(Continued)

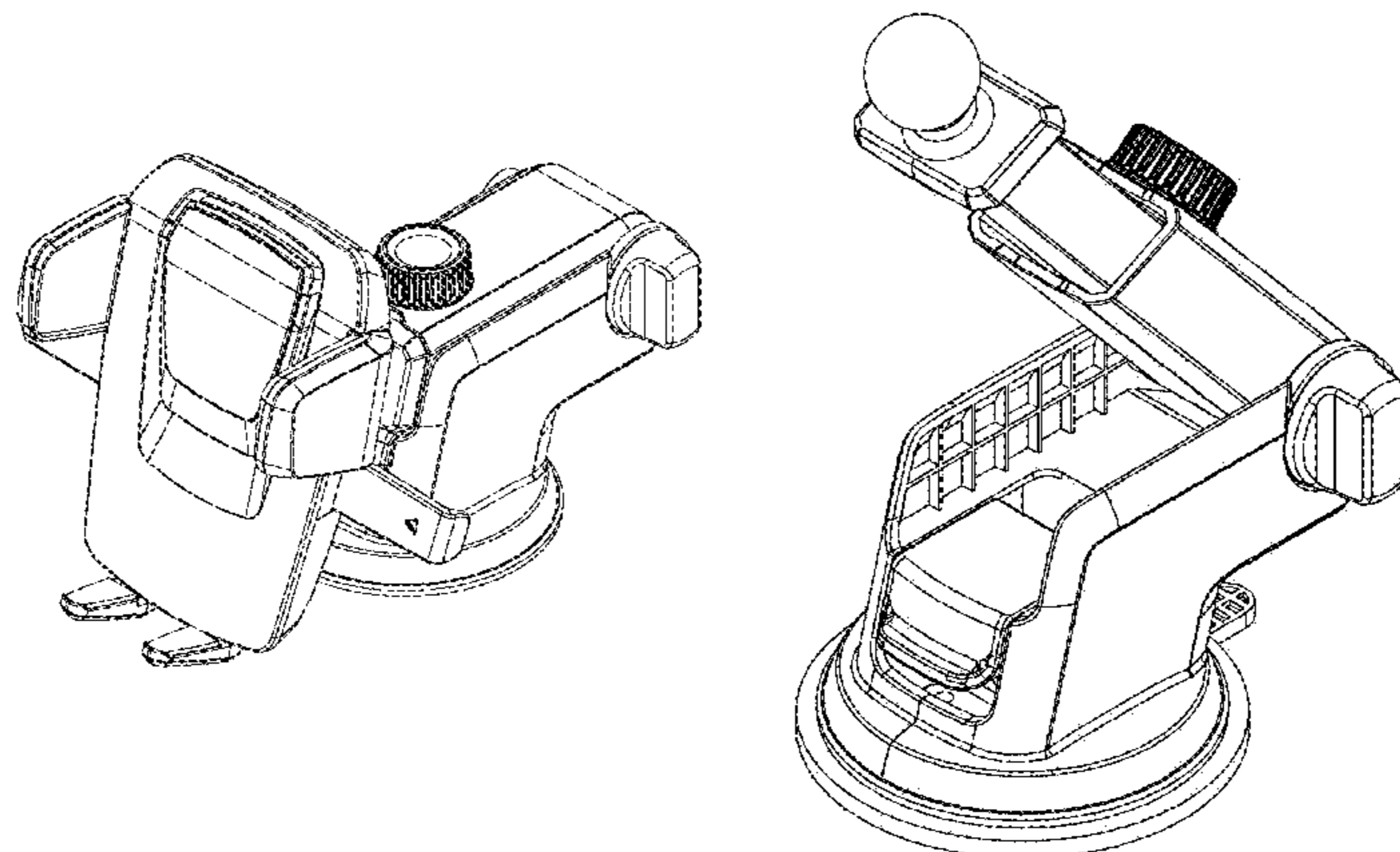


FIG. 19 is a front view of a mount and holder combination for mobile devices showing our new design, having the arm extended and raised;

FIG. 20 is a top view of a mount and holder combination for mobile devices showing our new design, having the arm extended and raised;

FIG. 21 is a right side view of a mount and holder combination for mobile devices showing our new design, having the arm extended and raised;

FIG. 22 is a left side view of a mount and holder combination for mobile devices showing our new design, having the arm extended and raised;

FIG. 23 is a front view of a mount and holder combination for mobile devices showing our new design, having the arm extended and raised;

FIG. 24 is a bottom view of a mount and holder combination for mobile devices showing our new design, having the arm extended and raised;

FIG. 25 is a front isometric view of a mount and holder combination for mobile devices showing our new design;

FIG. 26 is a front view of a mount and holder combination for mobile devices showing our new design;

FIG. 27 is a top view of a mount and holder combination for mobile devices showing our new design;

FIG. 28 is a bottom view of a mount and holder combination for mobile devices showing our new design;

FIG. 29 is a right side view of a mount and holder combination for mobile devices showing our new design;

FIG. 30 is a left side view of a mount and holder combination for mobile devices showing our new design;

FIG. 31 is a rear view of a mount and holder combination for mobile devices showing our new design;

FIG. 32 is a front isometric view of a mount and holder combination for mobile devices showing our new design, having the side two arms and the bottom two arms extended;

FIG. 33 is a front view of a mount and holder combination for mobile devices showing our new design, having the side two arms and the bottom two arms extended;

FIG. 34 is a rear view of a mount and holder combination for mobile devices showing our new design, having the side two arms and the bottom two arms extended;

FIG. 35 is a top view of a mount and holder combination for mobile devices showing our new design, having the side two arms and the bottom two arms extended;

FIG. 36 is a bottom view of a mount and holder combination for mobile devices showing our new design, having the side two arms and the bottom two arms extended;

FIG. 37 is a right side view of a mount and holder combination for mobile devices showing our new design, having the side two arms and the bottom two arms extended; and,

FIG. 38 is a left side view of a mount and holder combination for mobile devices showing our new design, having the side two arms and the bottom two arms extended.

1 Claim, 38 Drawing Sheets

(58) **Field of Classification Search**

CPC B60R 2011/0008; B60R 11/02; B60R 11/0241; B60R 11/0258; B60R 11/0252; B60R 2011/0294; F16M 11/00; F16M 11/04; F16M 11/041; F16M 11/02; F16M 11/06; F16M 13/00; H04M 1/02; H04M 1/04; H04M 1/11; H04M 1/12; A47F 7/022; B62J 11/00; H05K 7/00; G03B 17/56

See application file for complete search history.

(56) **References Cited**

U.S. PATENT DOCUMENTS

D718,297	S	*	11/2014	Aspinall	D14/253
D718,298	S	*	11/2014	Aspinall	D14/253
D732,013	S	*	6/2015	Aspinall	D14/253
D732,519	S	*	6/2015	Aspinall	D14/253
D733,116	S	*	6/2015	Aspinall	D14/253
D750,612	S	*	3/2016	Chen	D14/253
D752,571	S	*	3/2016	Richter	D14/253
D769,235	S	*	10/2016	Li	D14/253
D772,218	S	*	11/2016	Alesi	D14/253
D784,923	S	*	4/2017	Song	D13/108
D799,466	S	*	10/2017	Sukphist	D14/253
D799,467	S	*	10/2017	Lou	D14/253
D817,317	S	*	5/2018	Lee	D14/253
D818,421	S	*	5/2018	Hu	D12/415
D819,015	S	*	5/2018	Lee	D14/253
2012/0267406	A1	*	10/2012	Fan	B60R 11/02 224/482
2014/0145051	A1	*	5/2014	Gwag	B60R 11/02 248/298.1

* cited by examiner

FIGURE 1

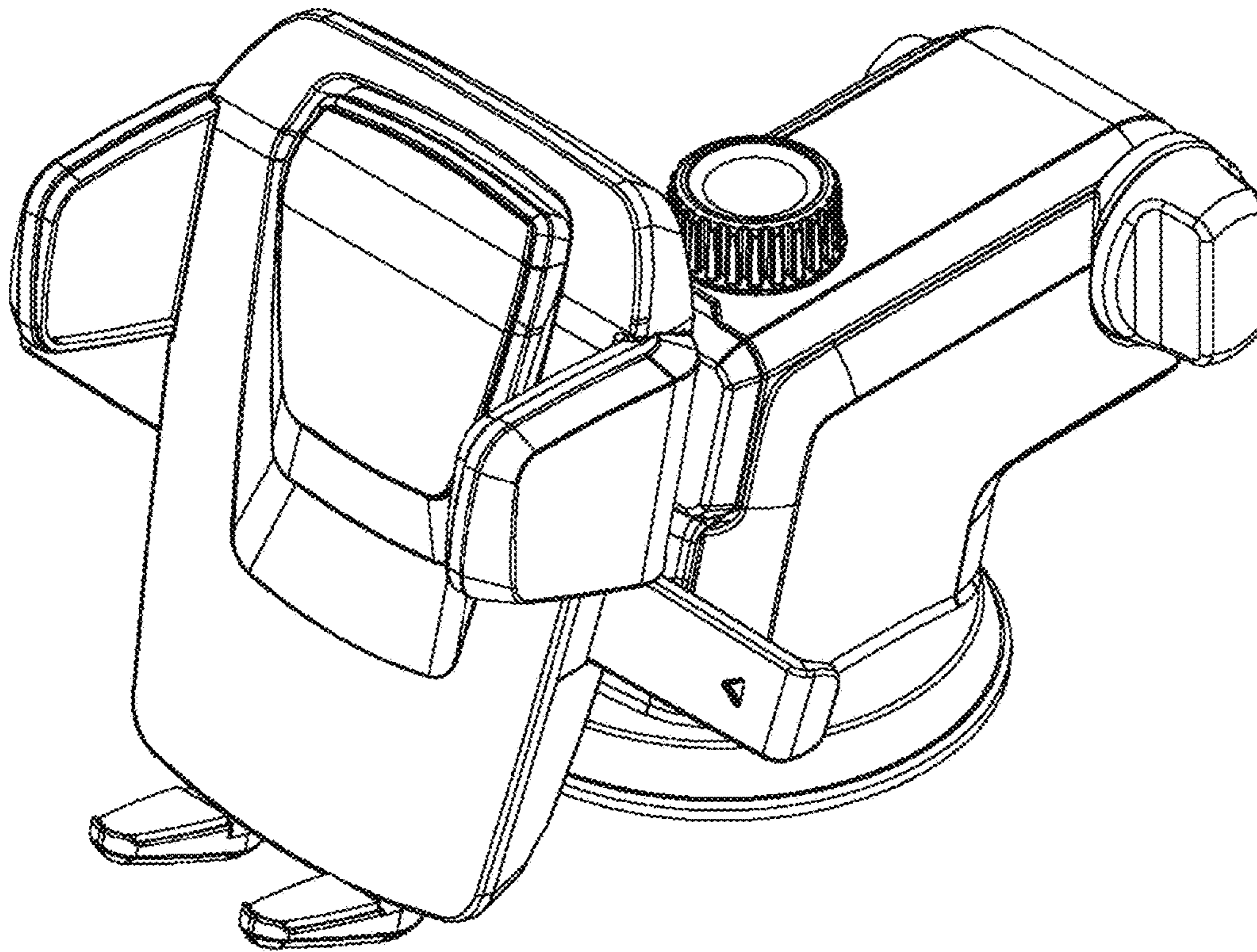


FIGURE 2

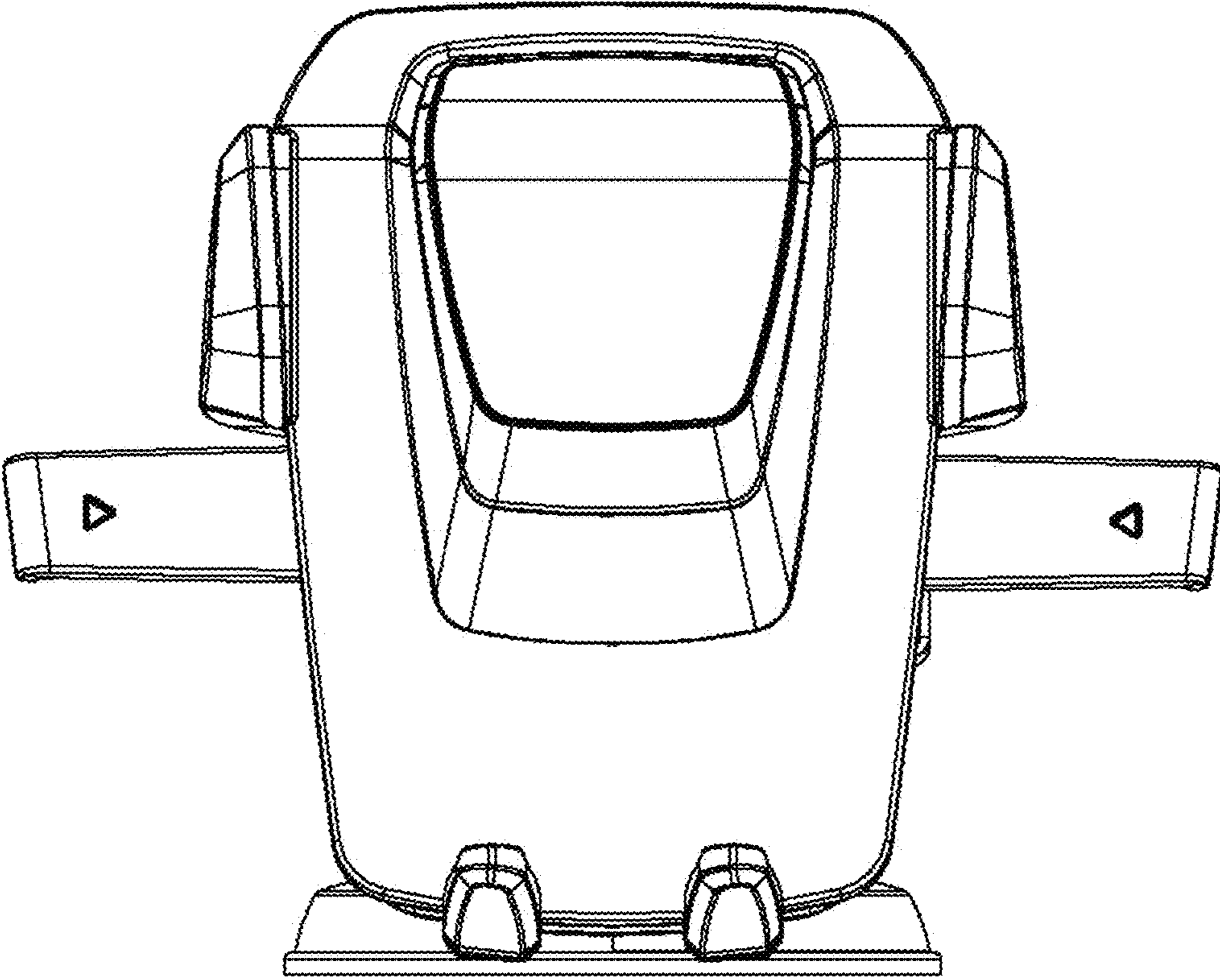


FIGURE 3

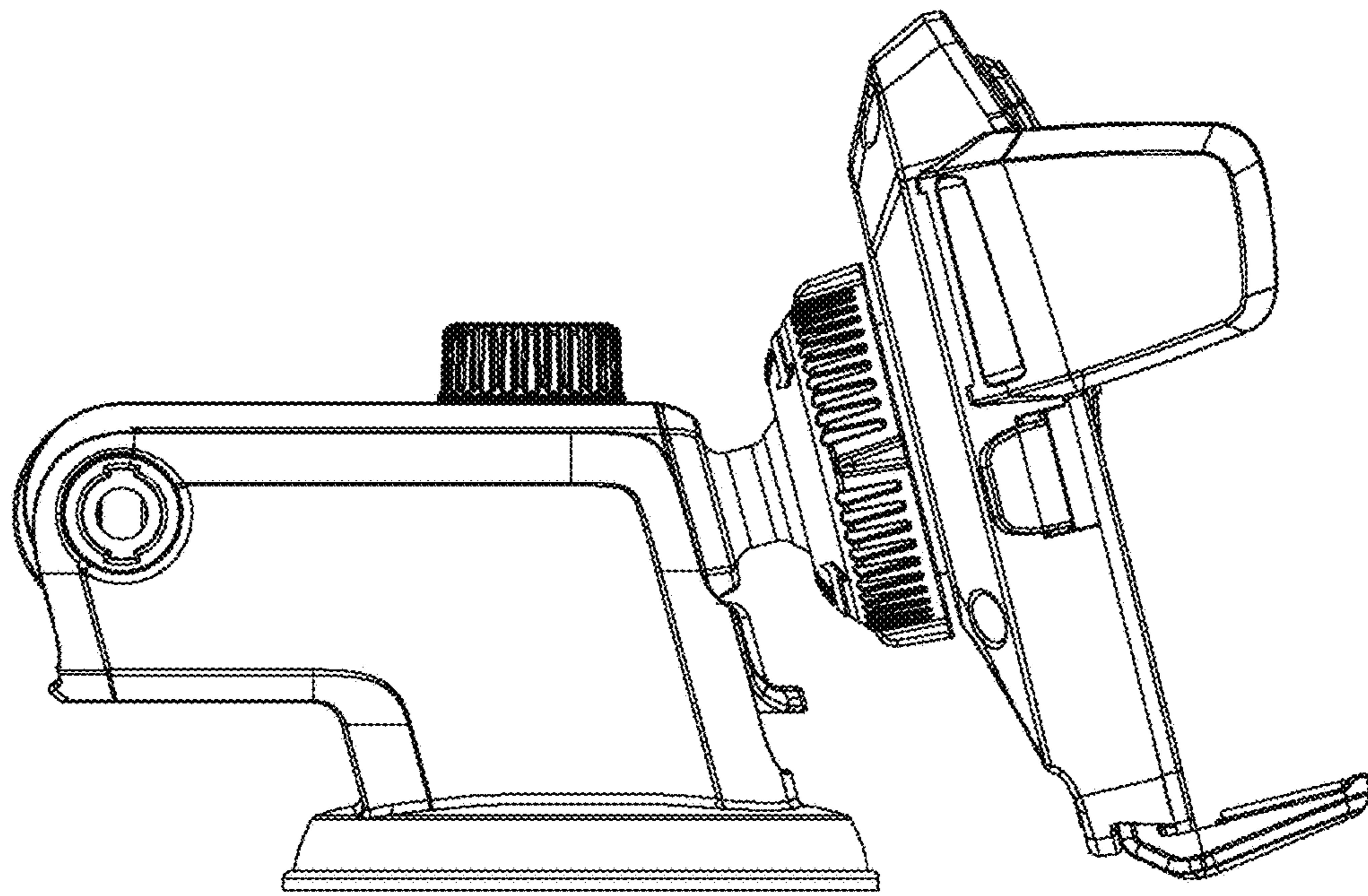


FIGURE 4

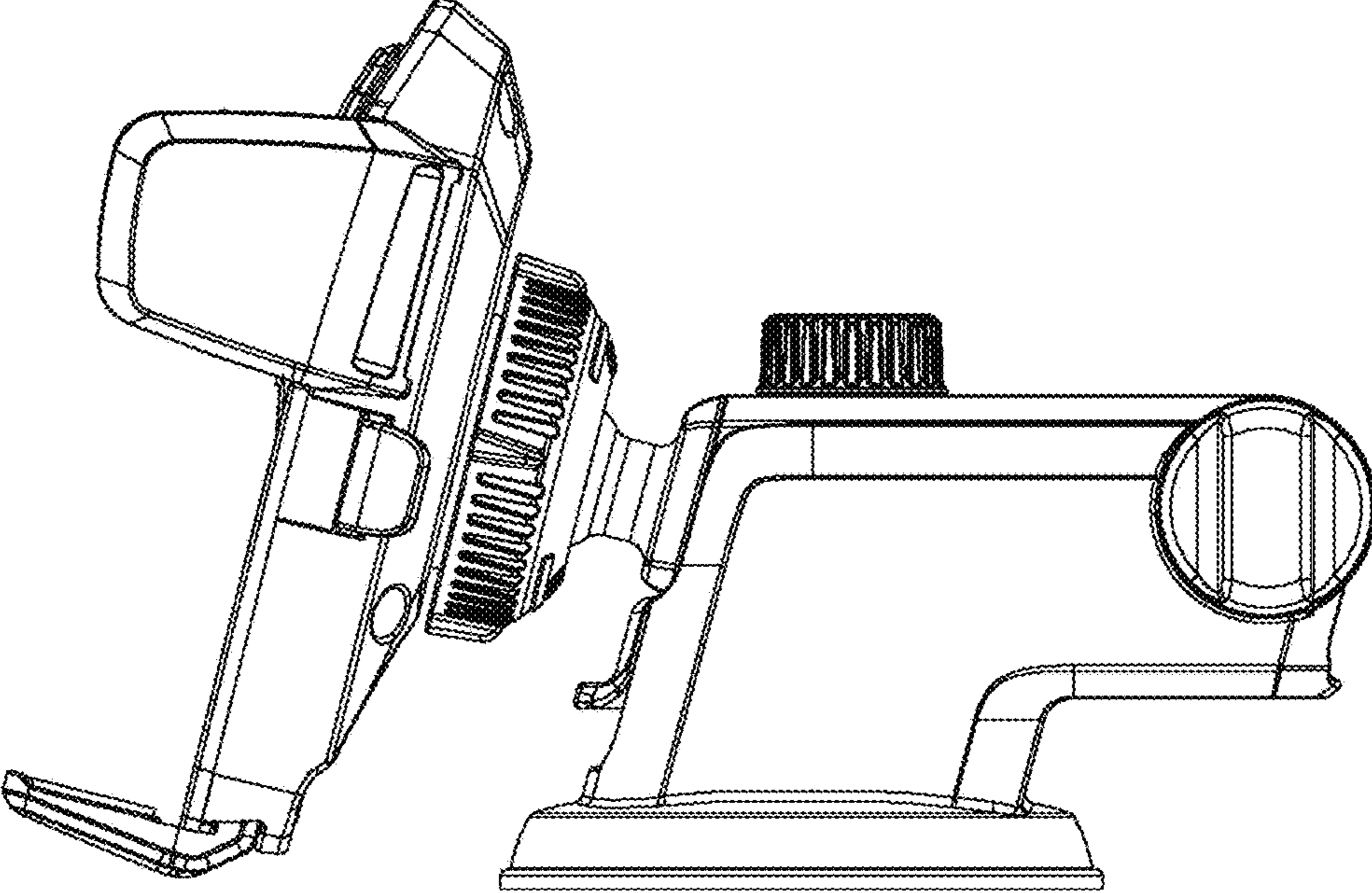


FIGURE 5

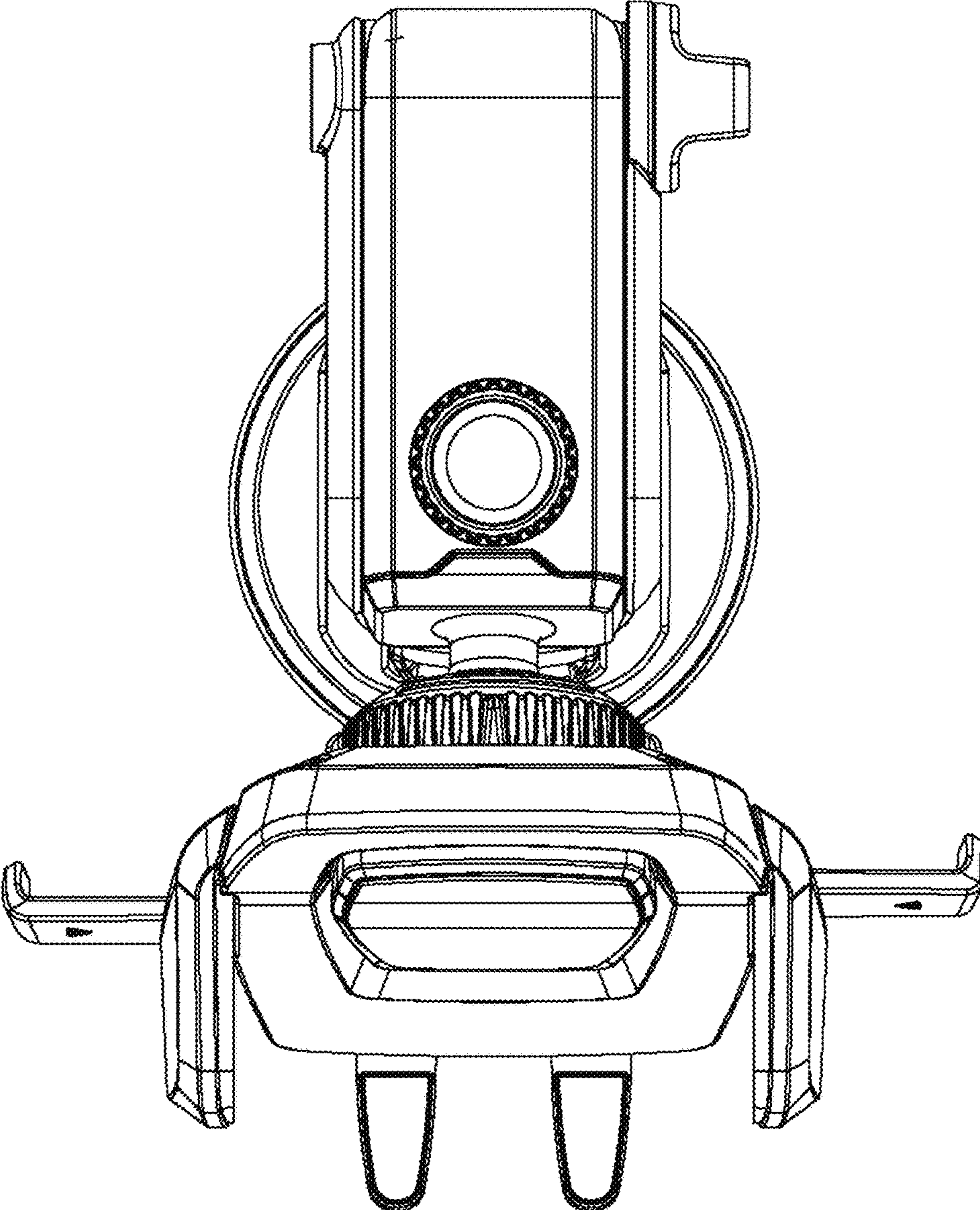


FIGURE 6

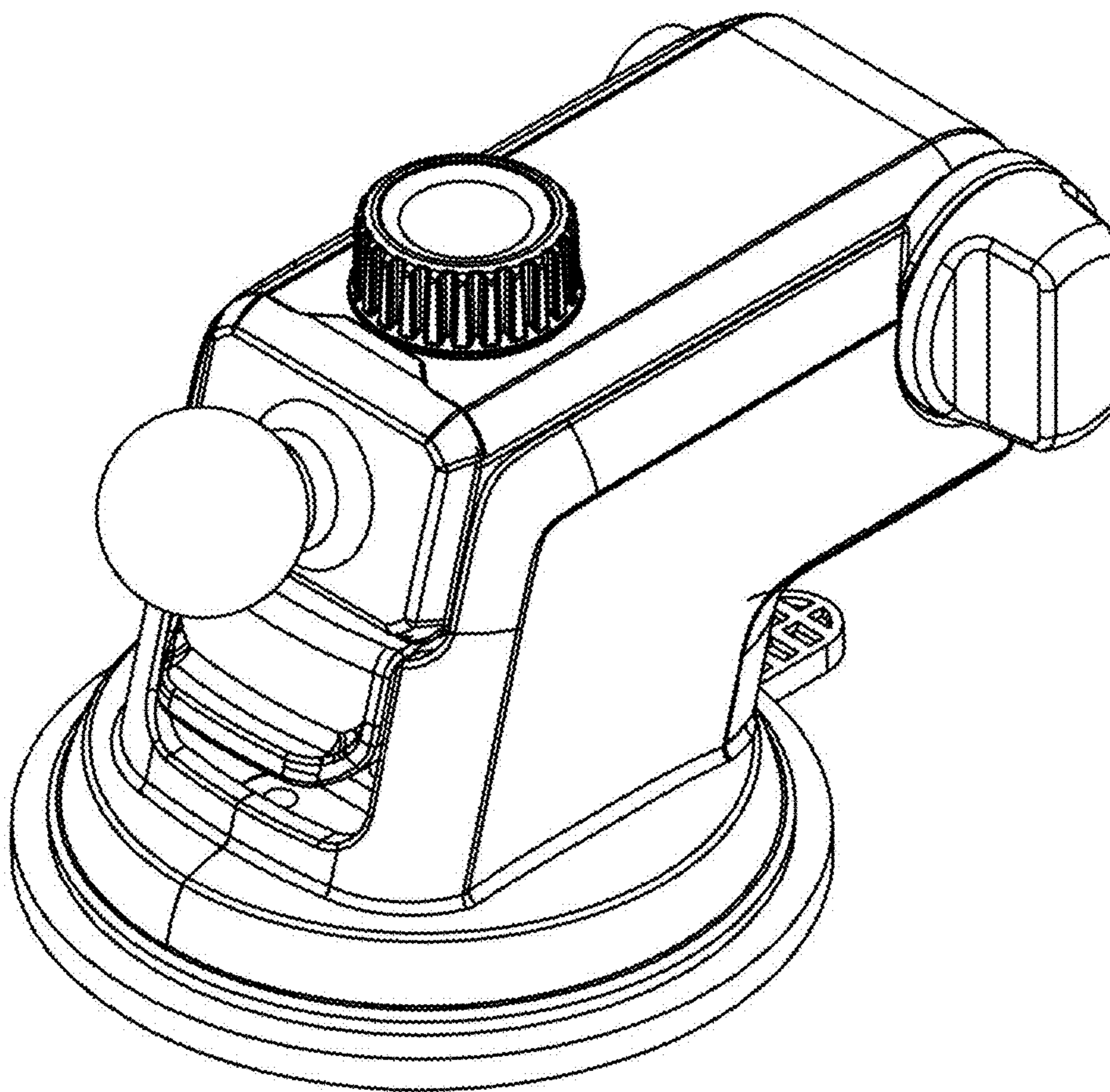


FIGURE 7

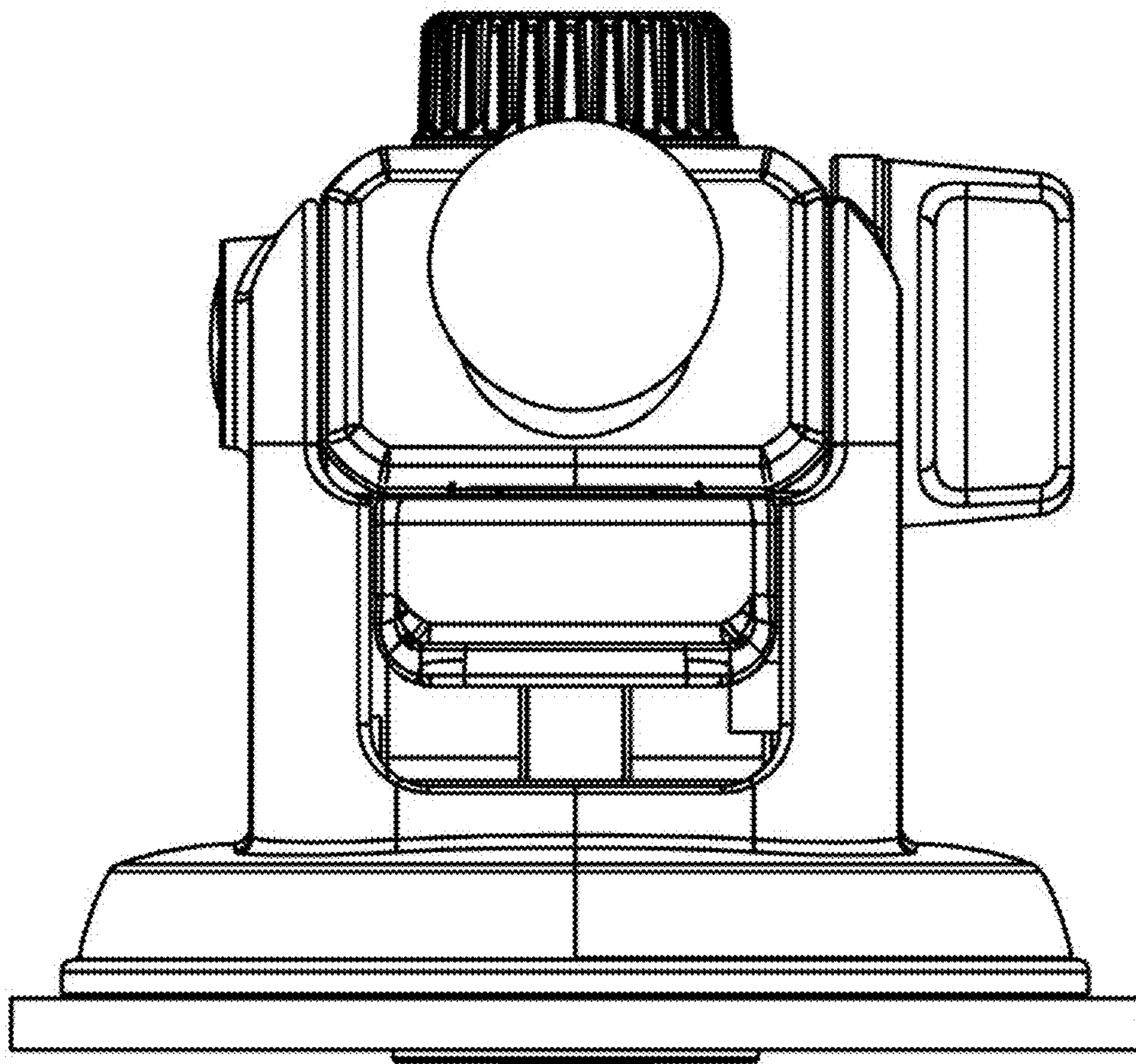


FIGURE 8

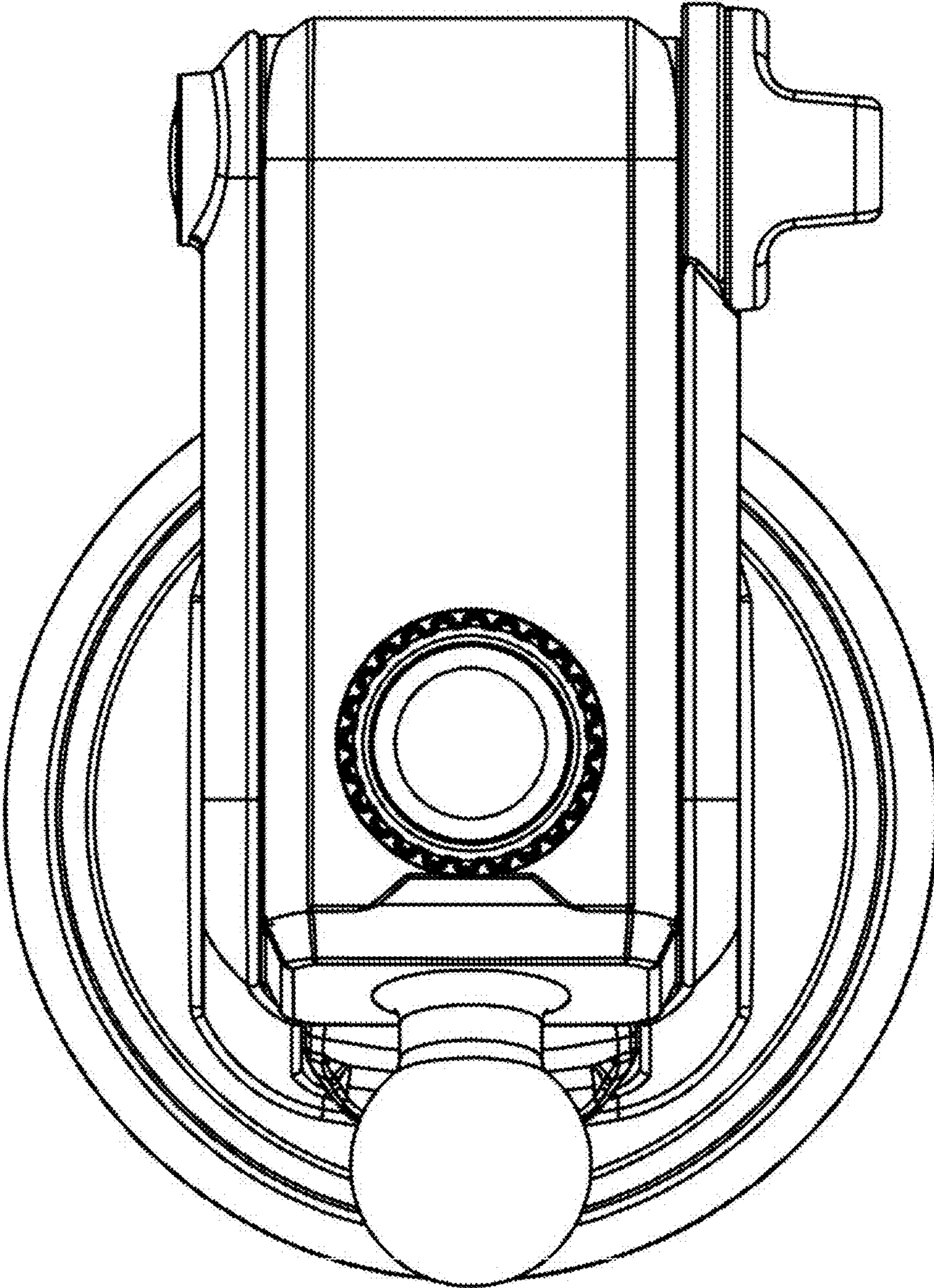


FIGURE 9

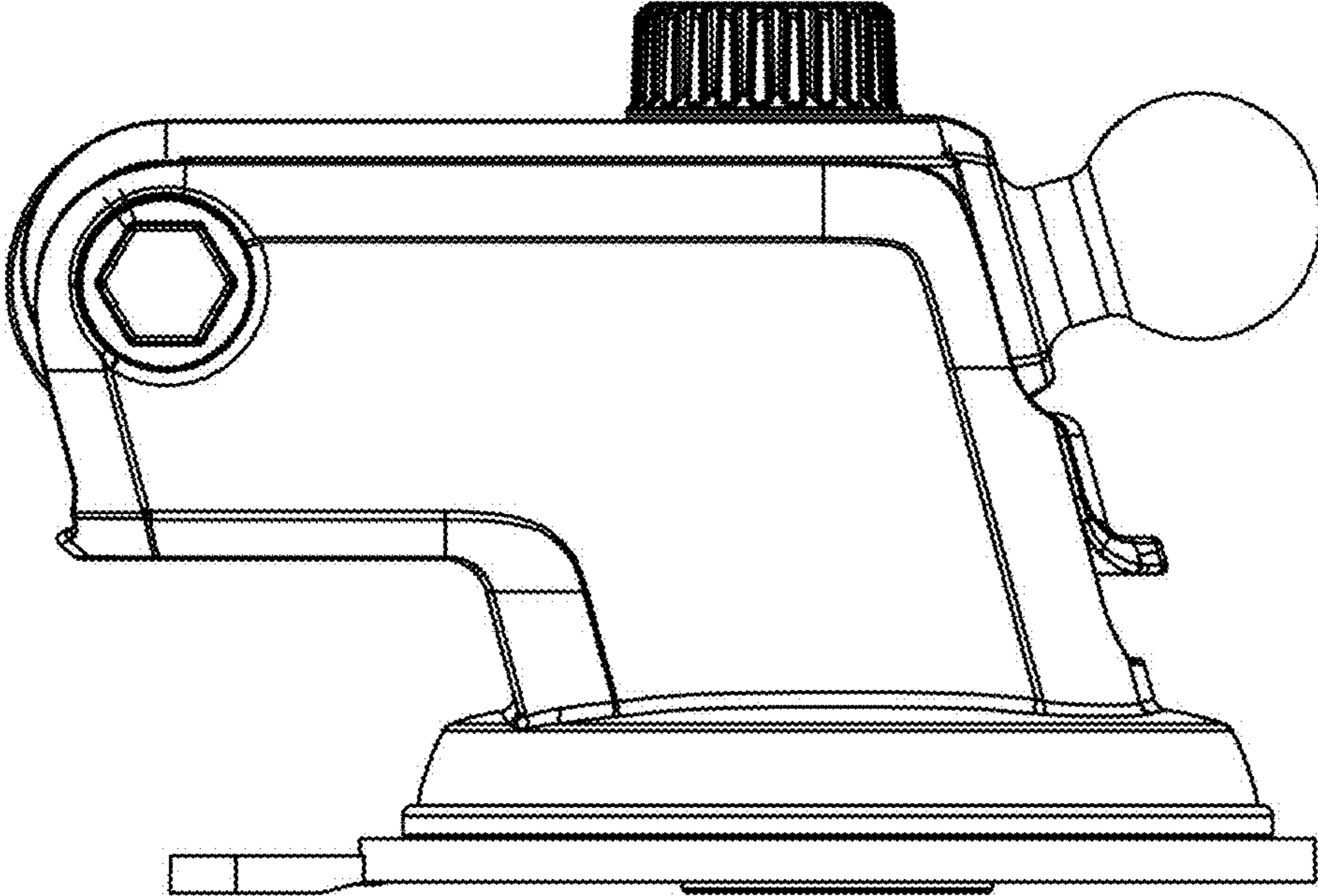


FIGURE 10

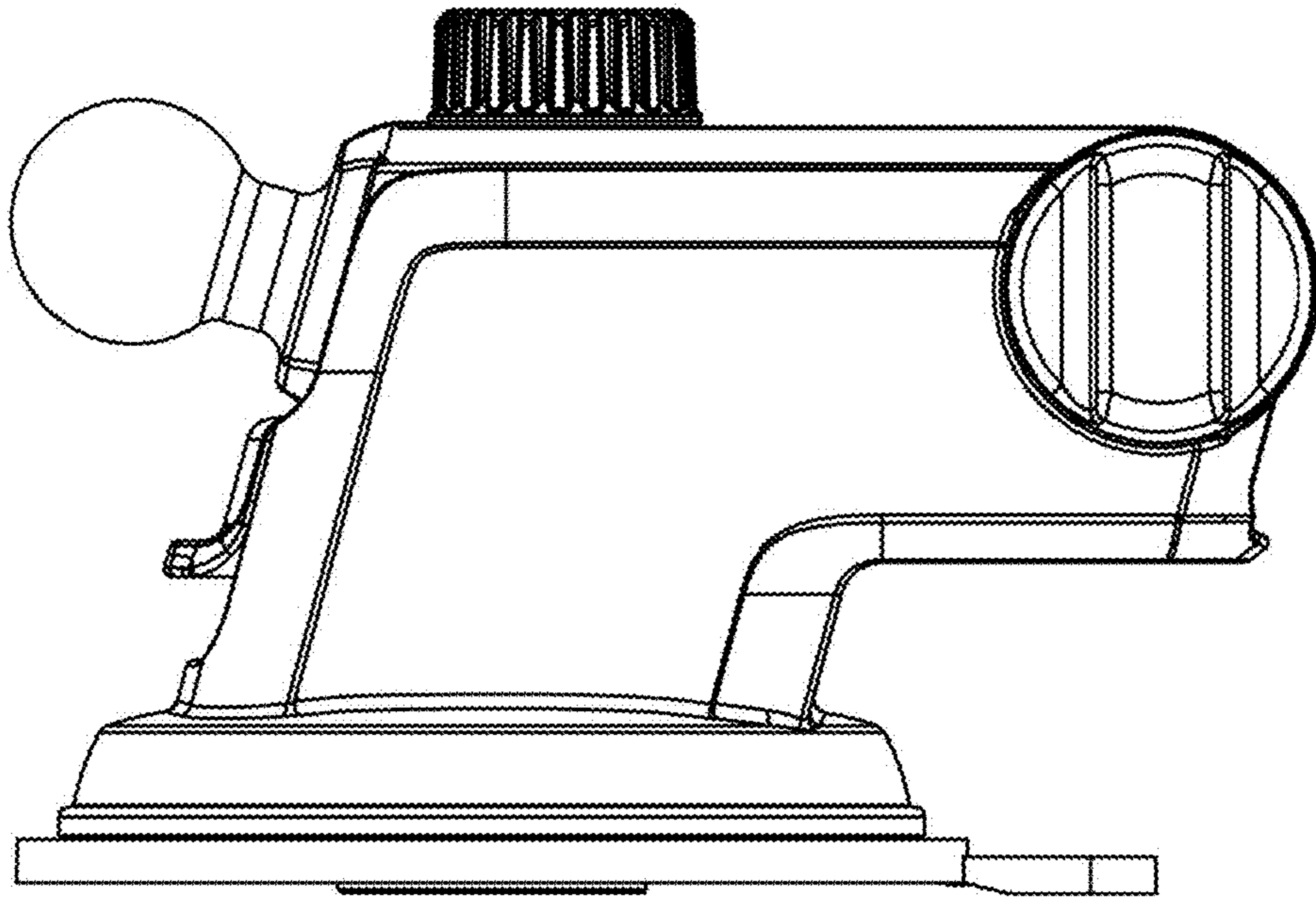


FIGURE 11

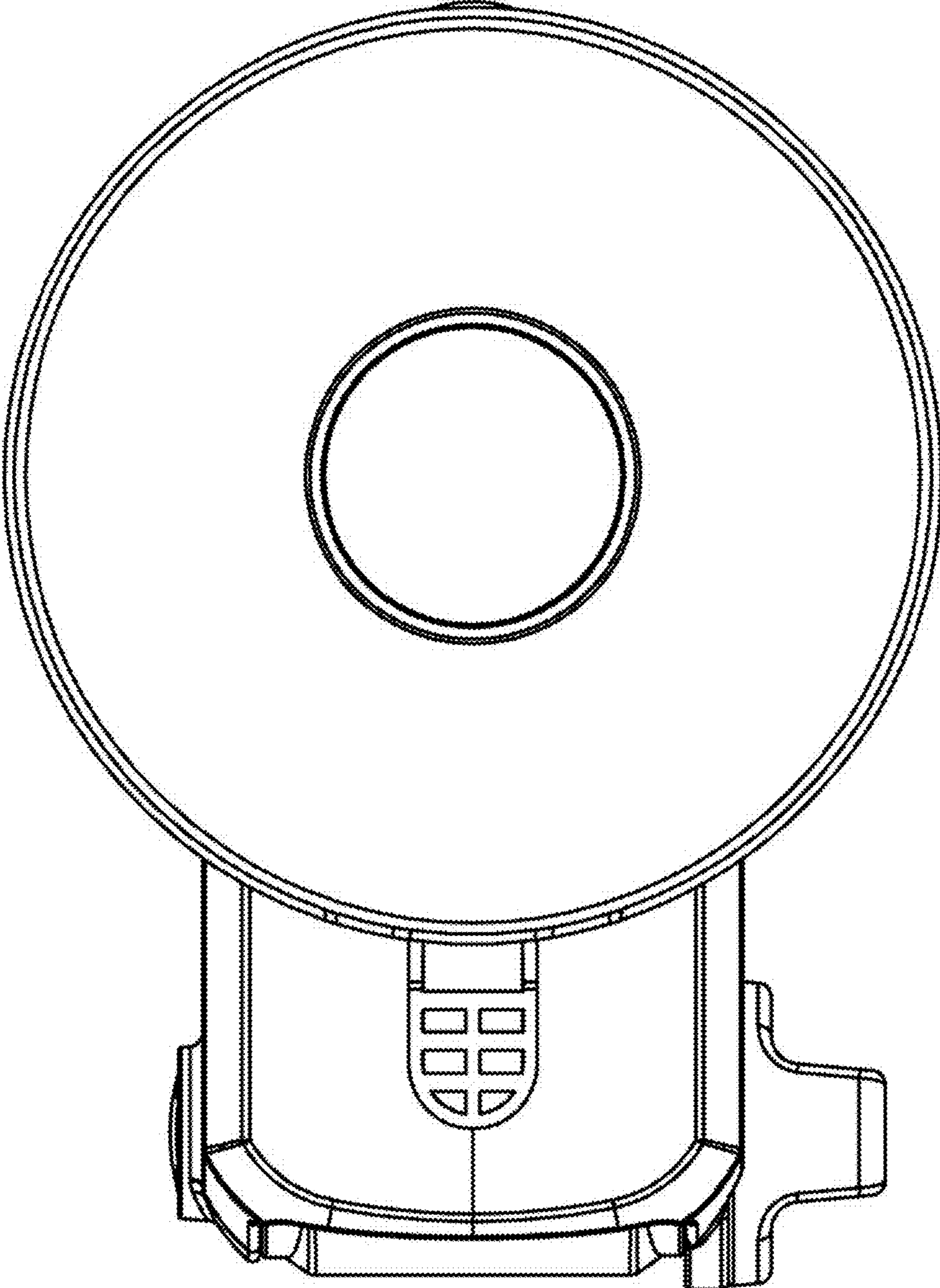


FIGURE 12

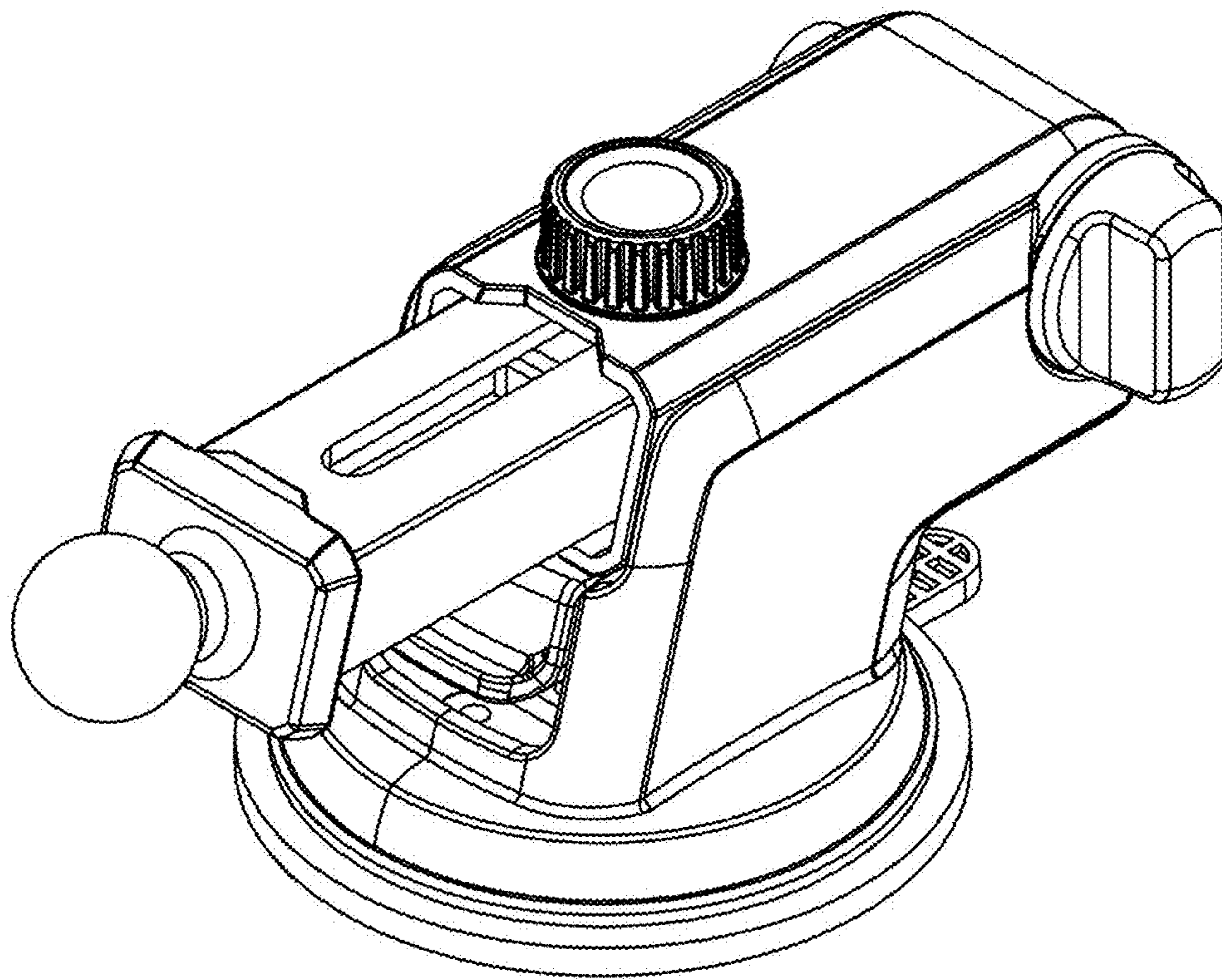


FIGURE 13

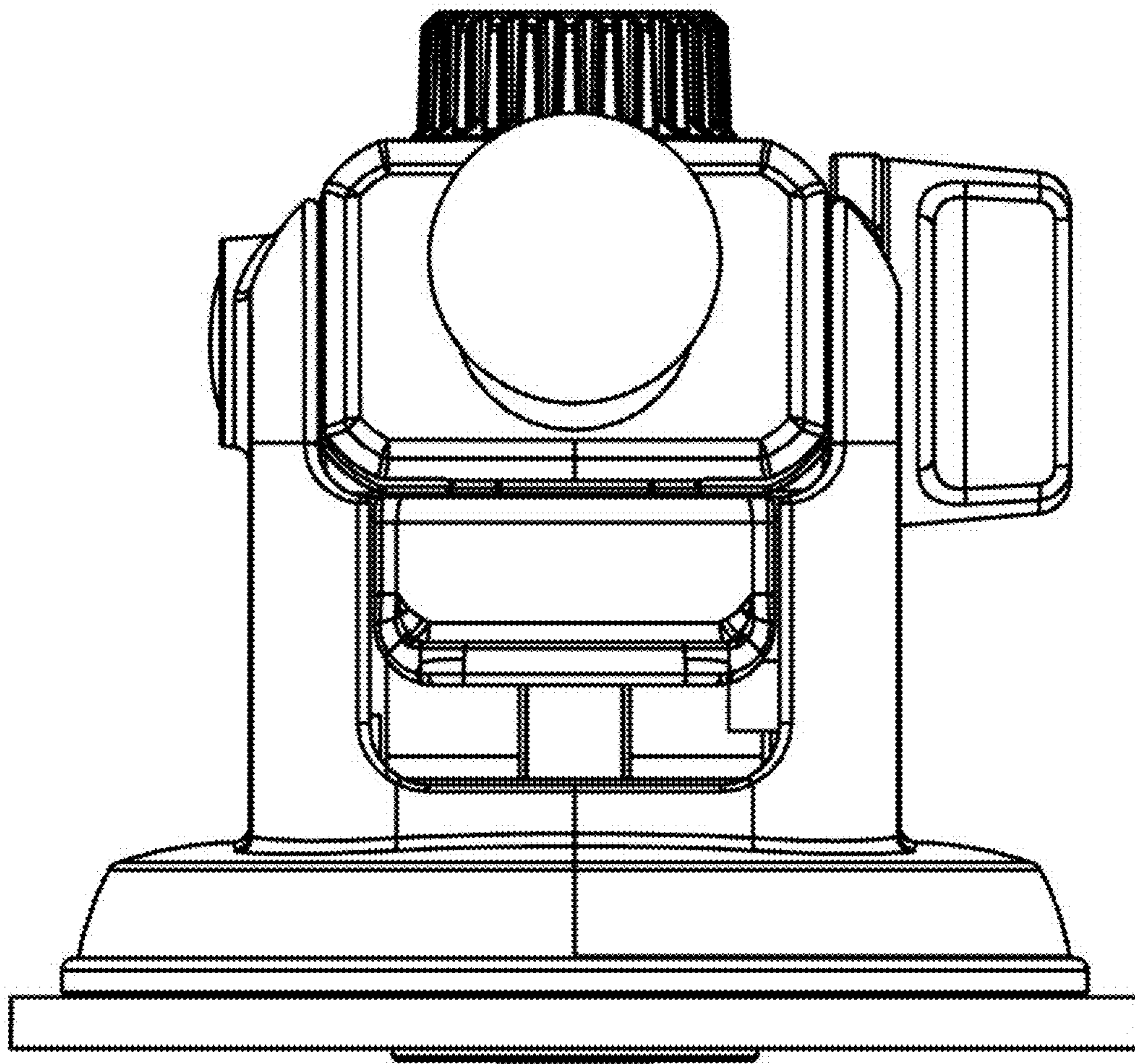


FIGURE 14

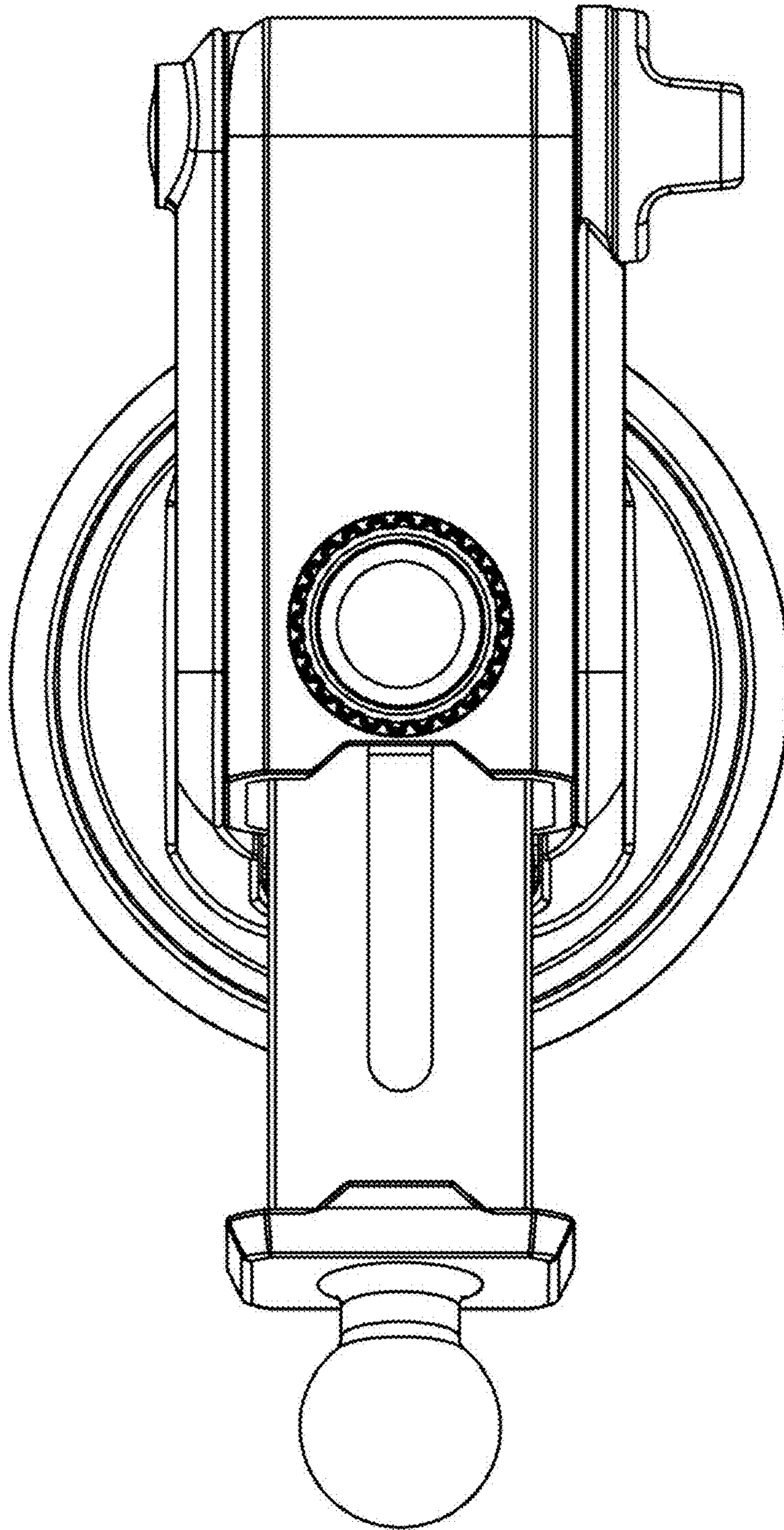


FIGURE 15

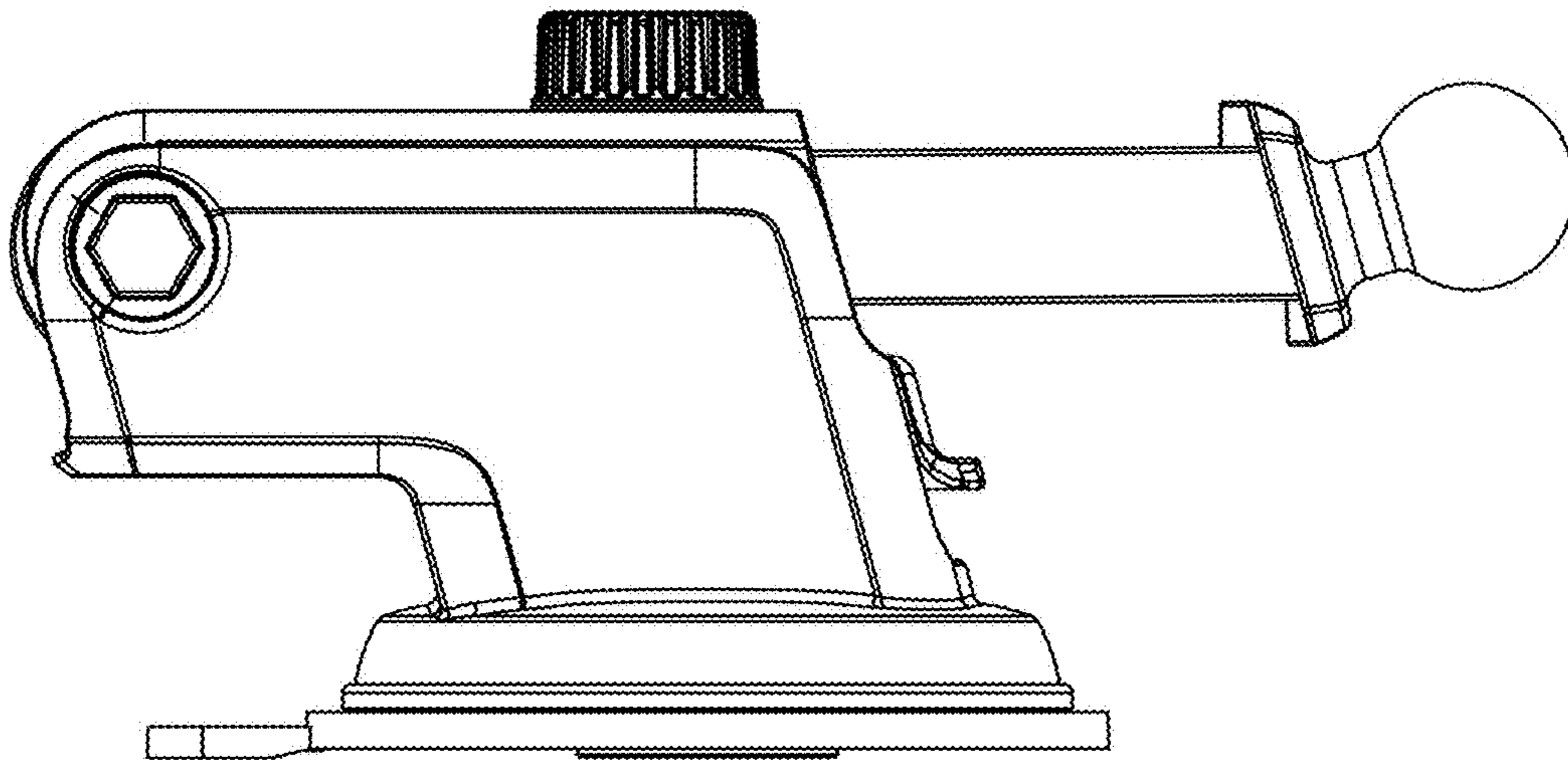


FIGURE 16

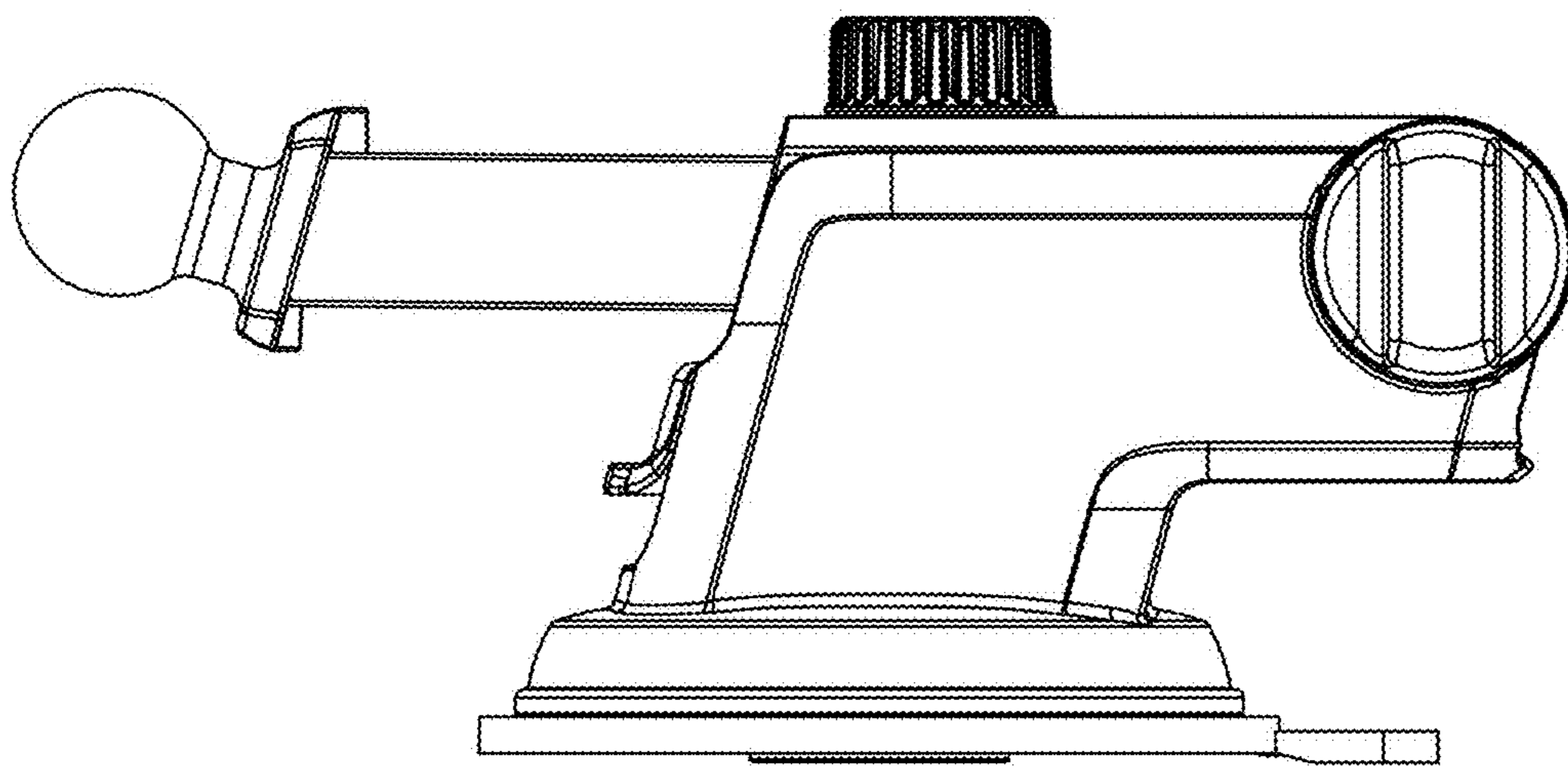


FIGURE 17

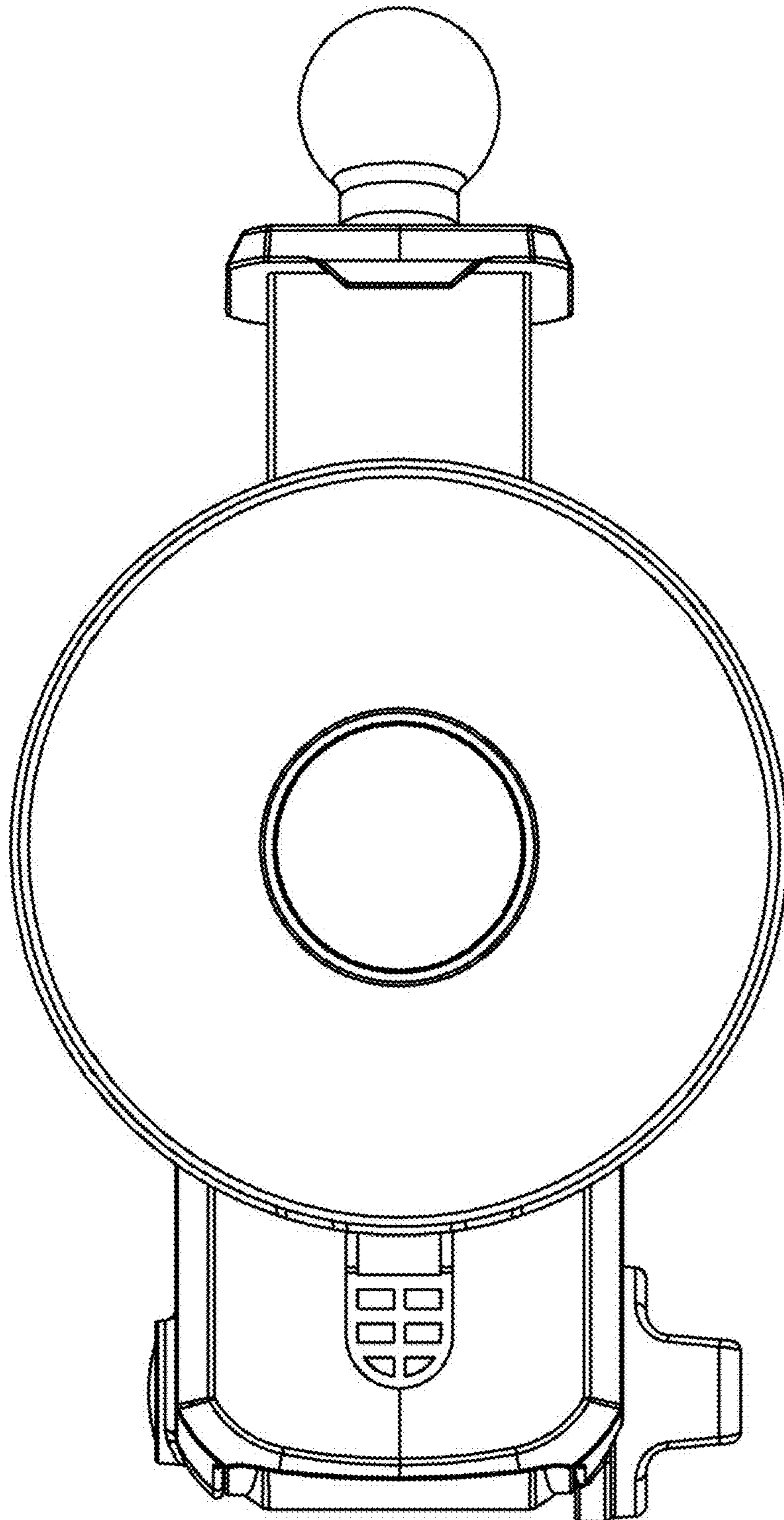


FIGURE 18

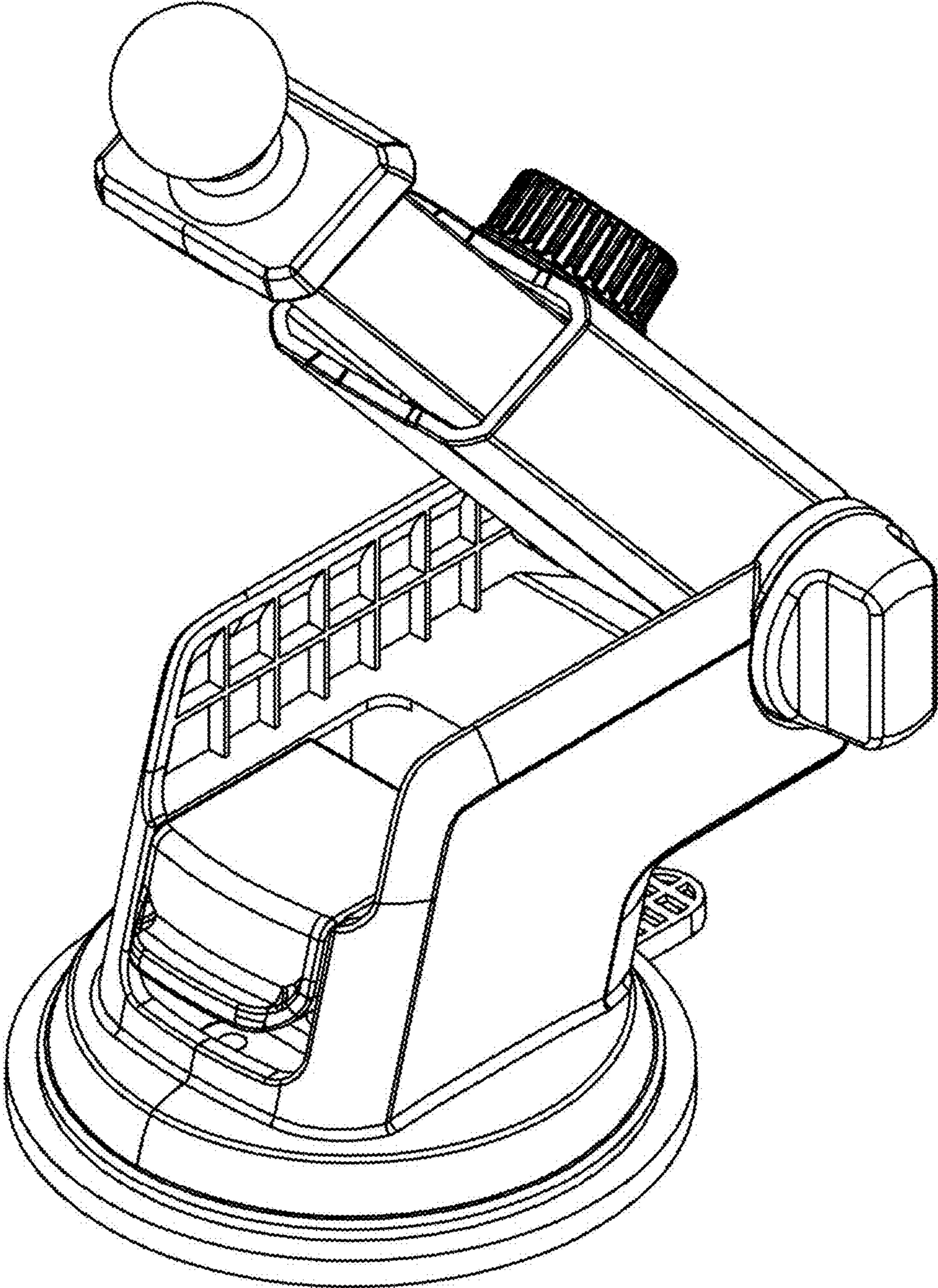


FIGURE 19

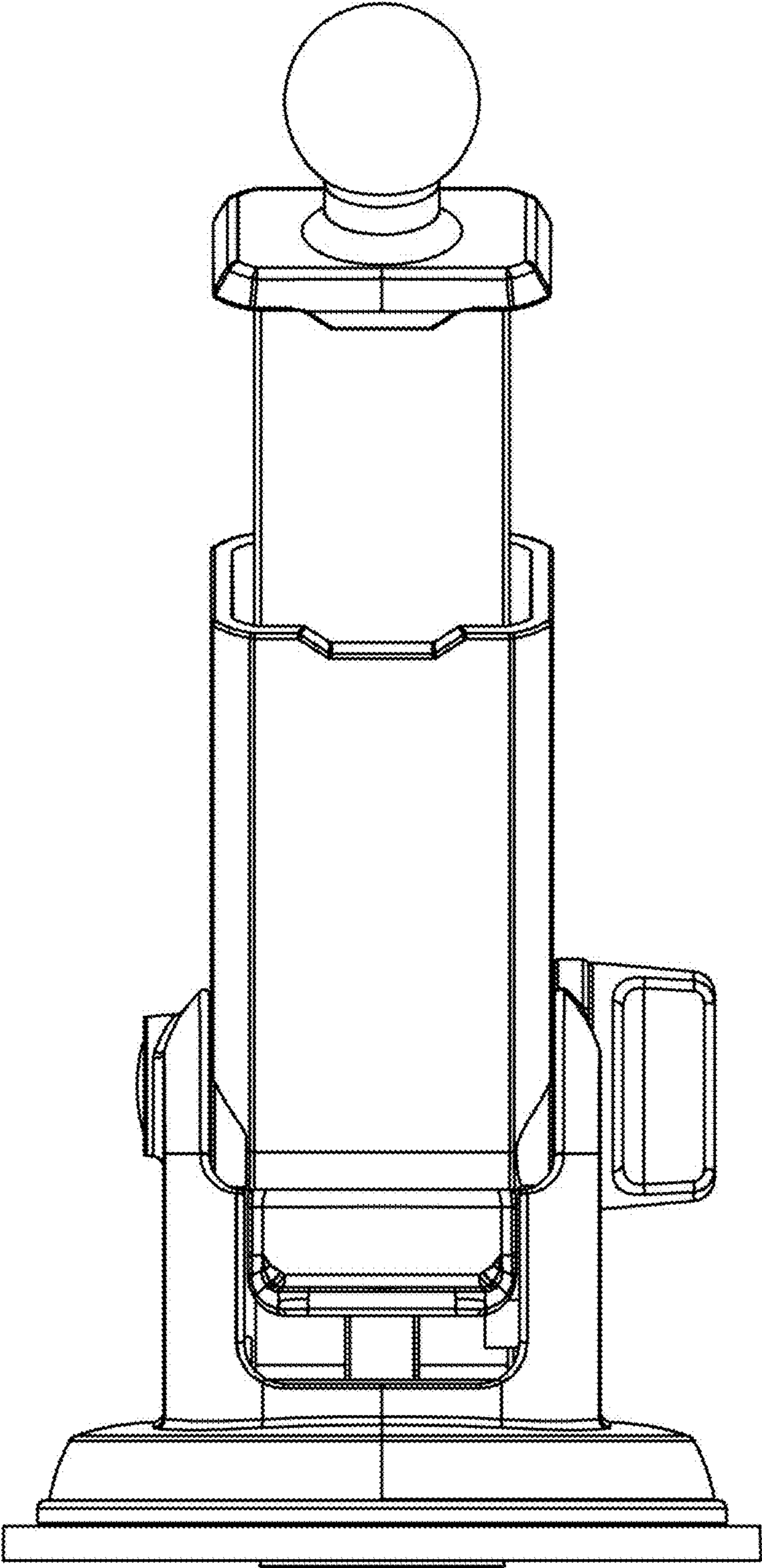


FIGURE 20

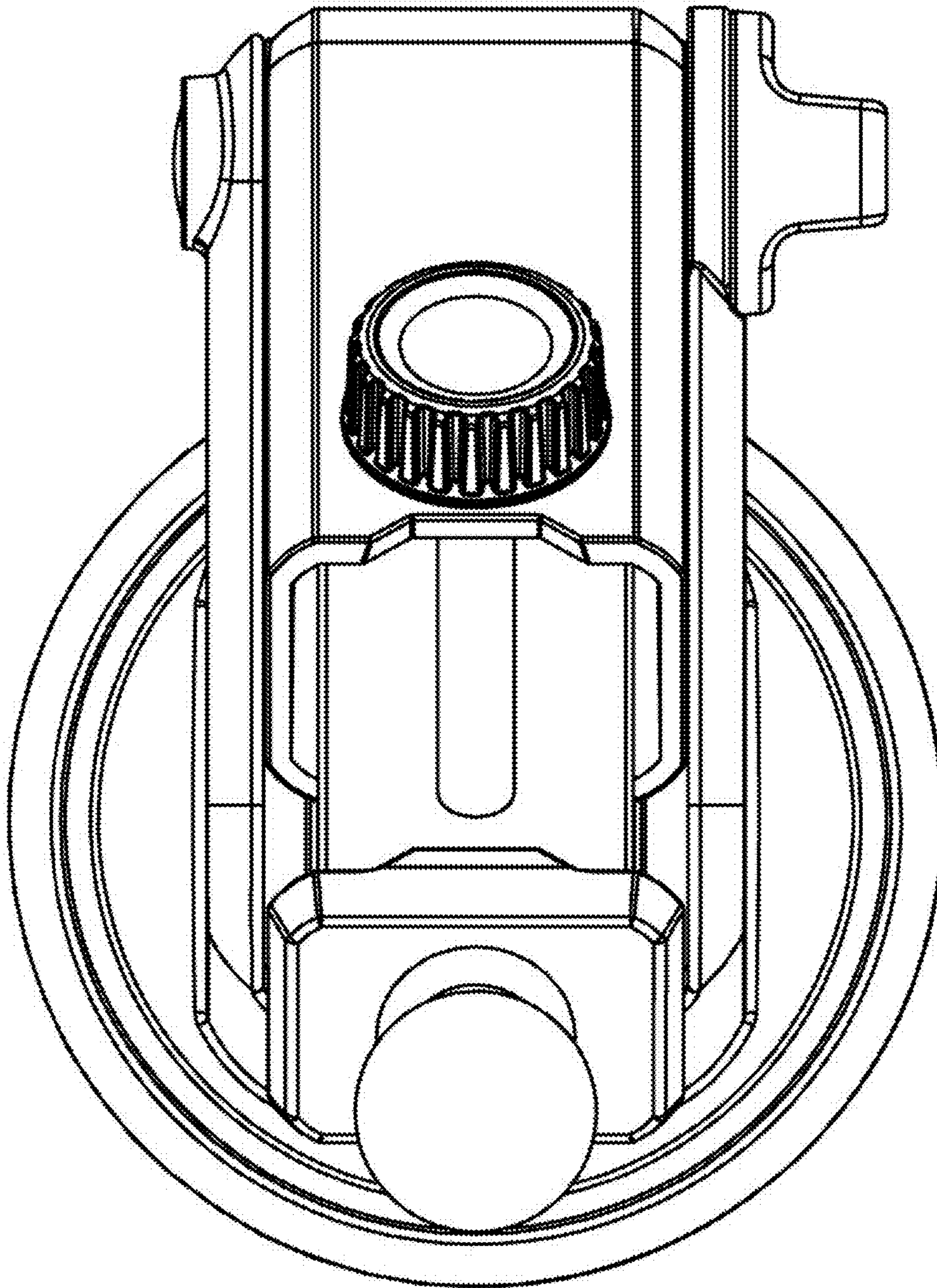


FIGURE 21

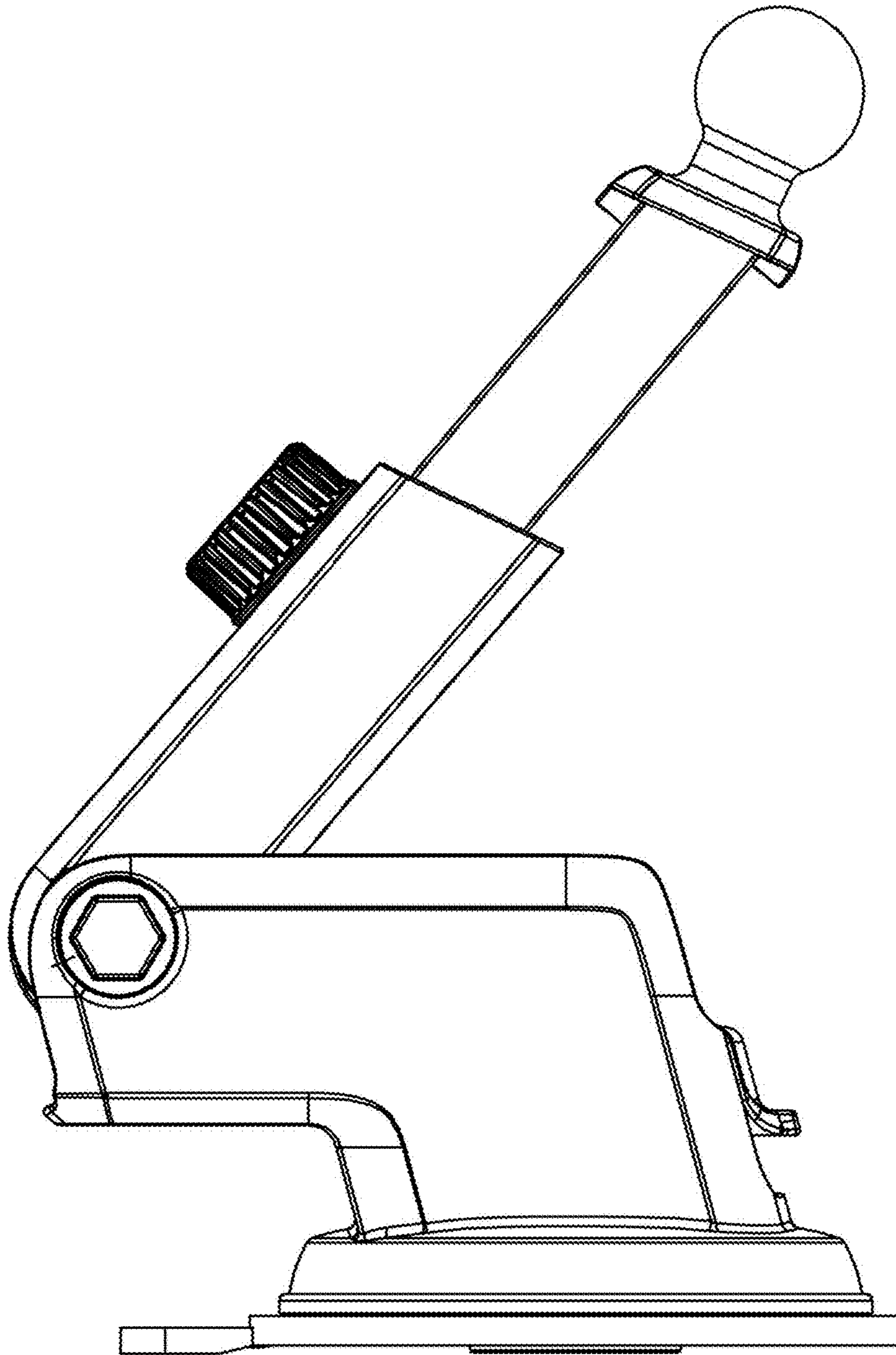


FIGURE 22

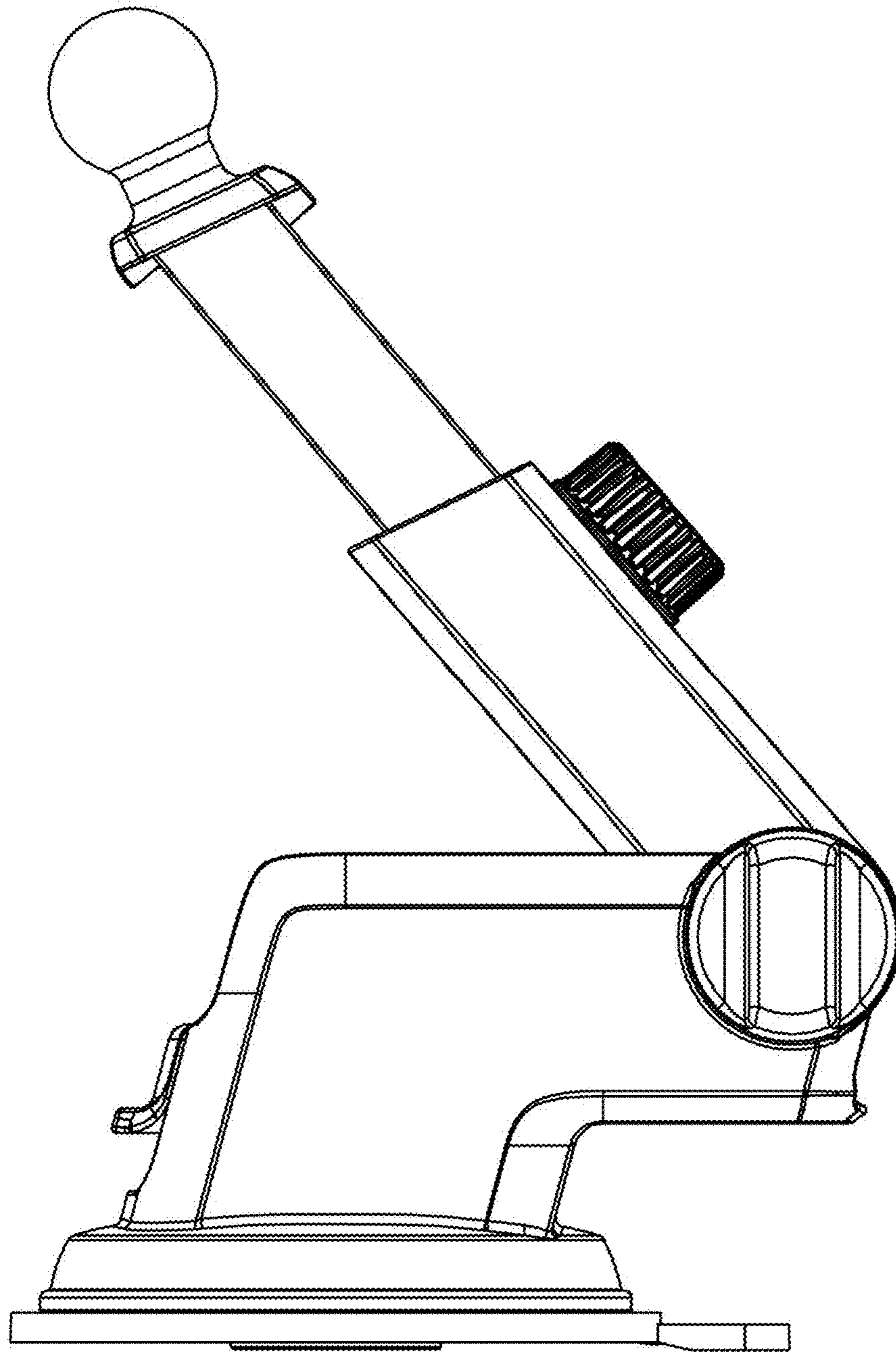


FIGURE 23

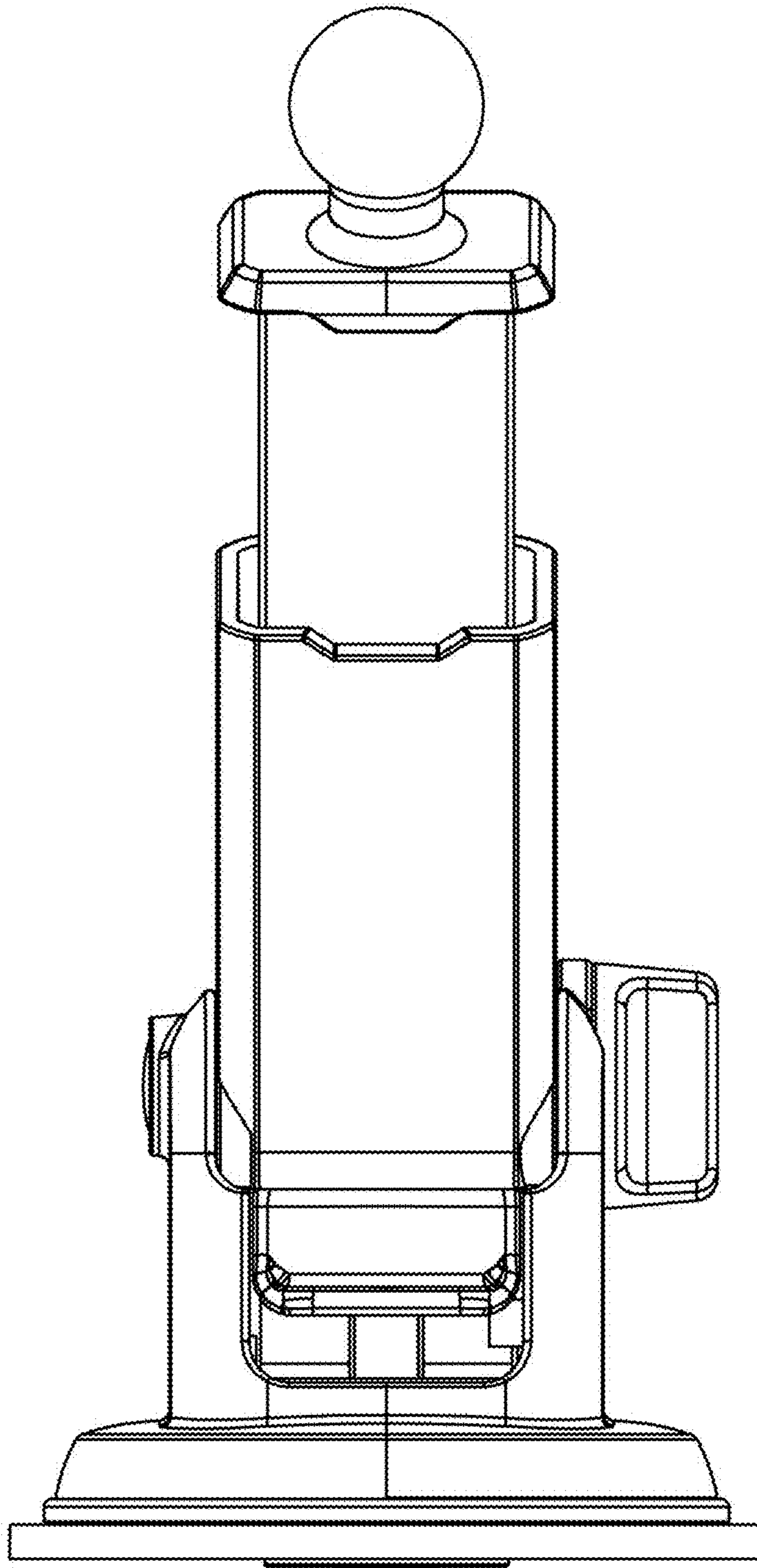


FIGURE 24

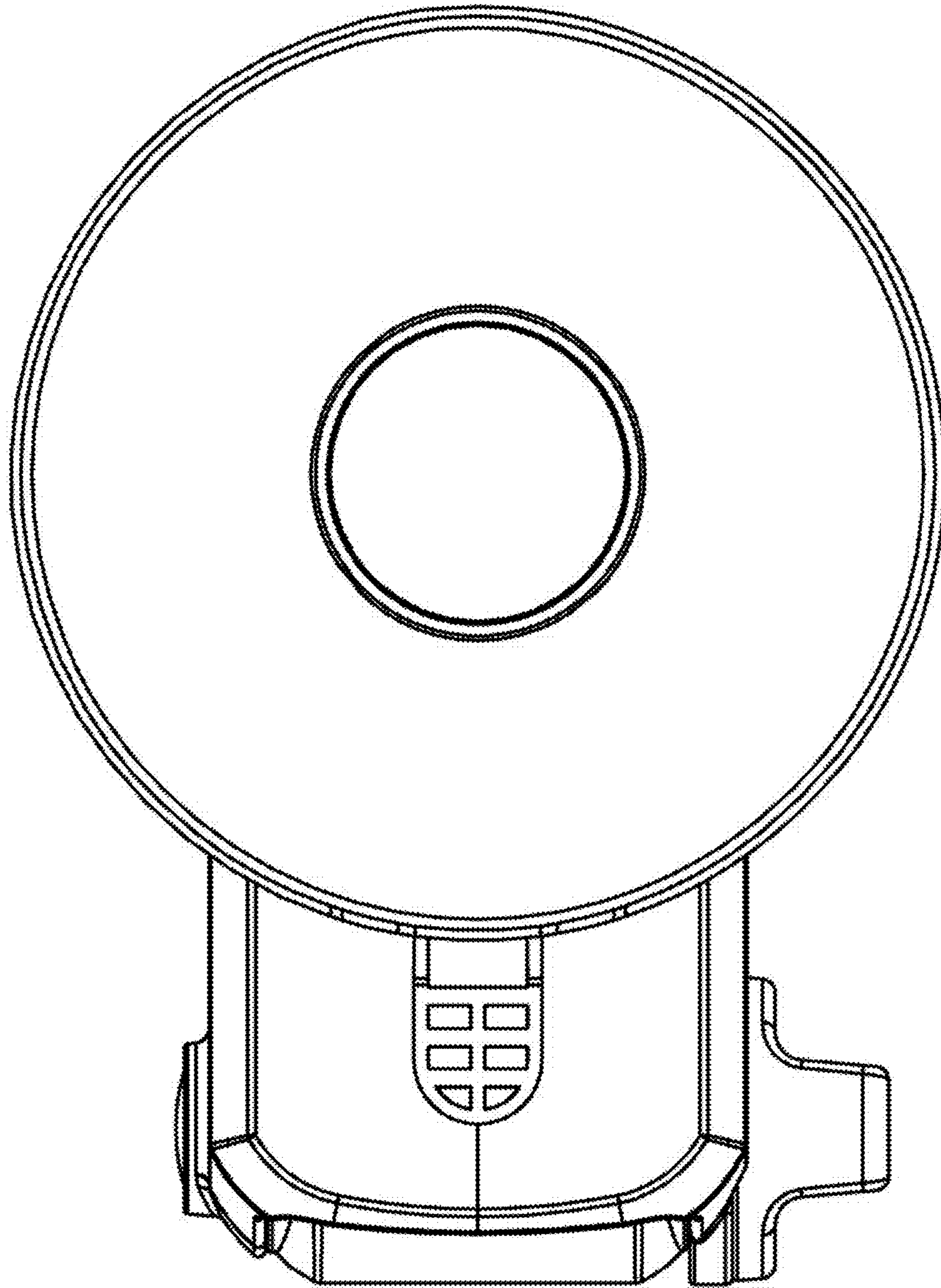


FIGURE 25

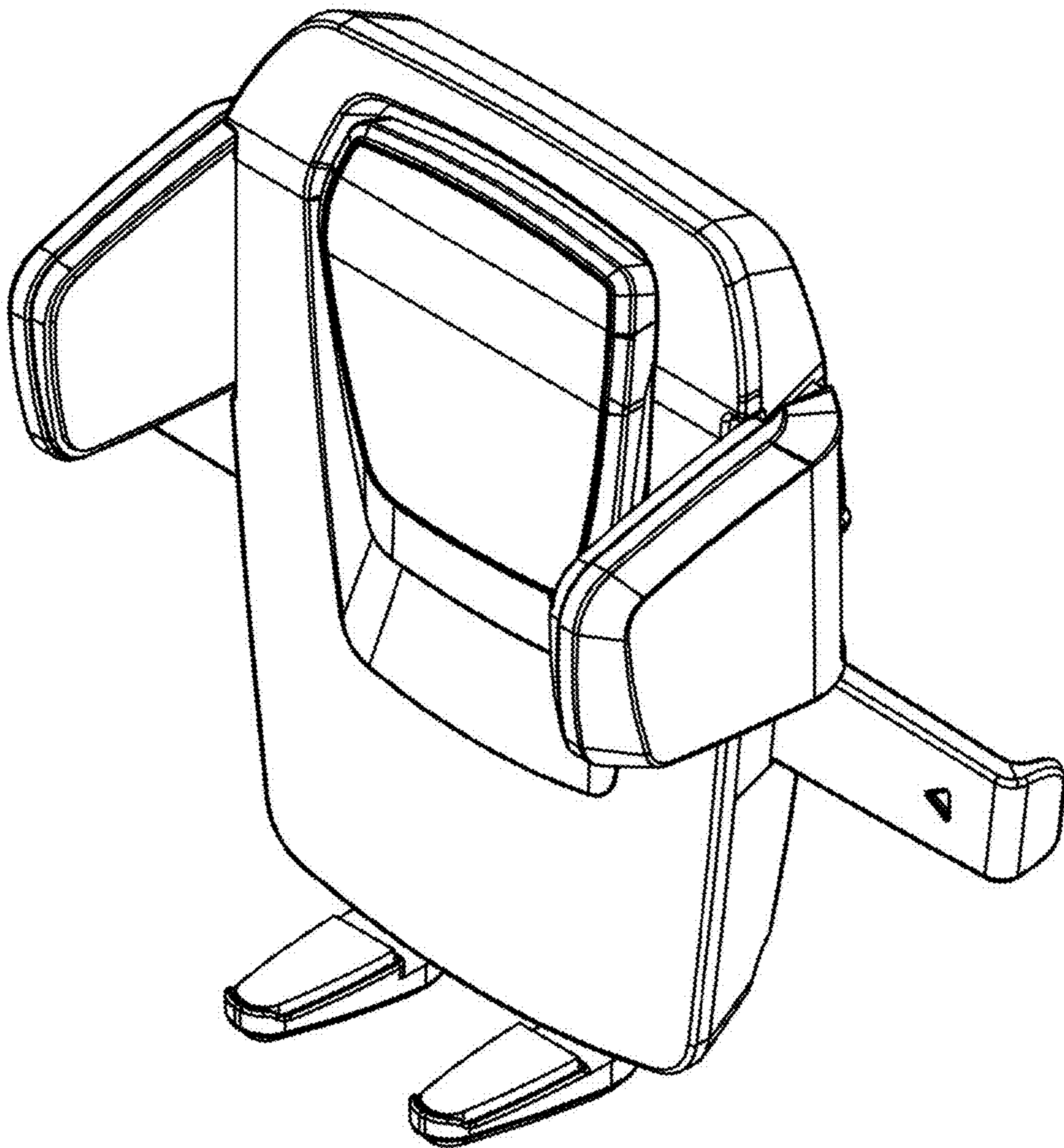


FIGURE 26

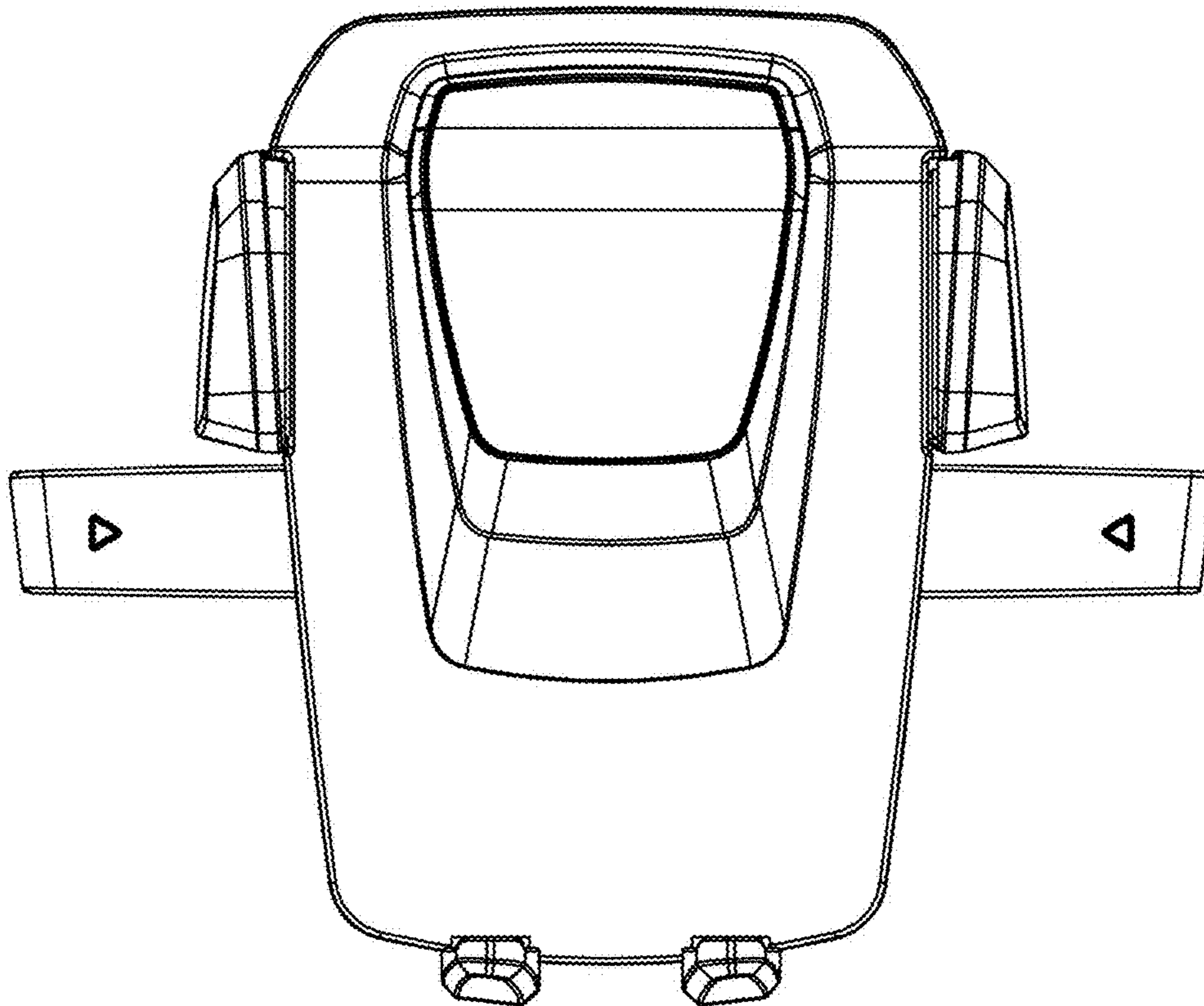


FIGURE 27

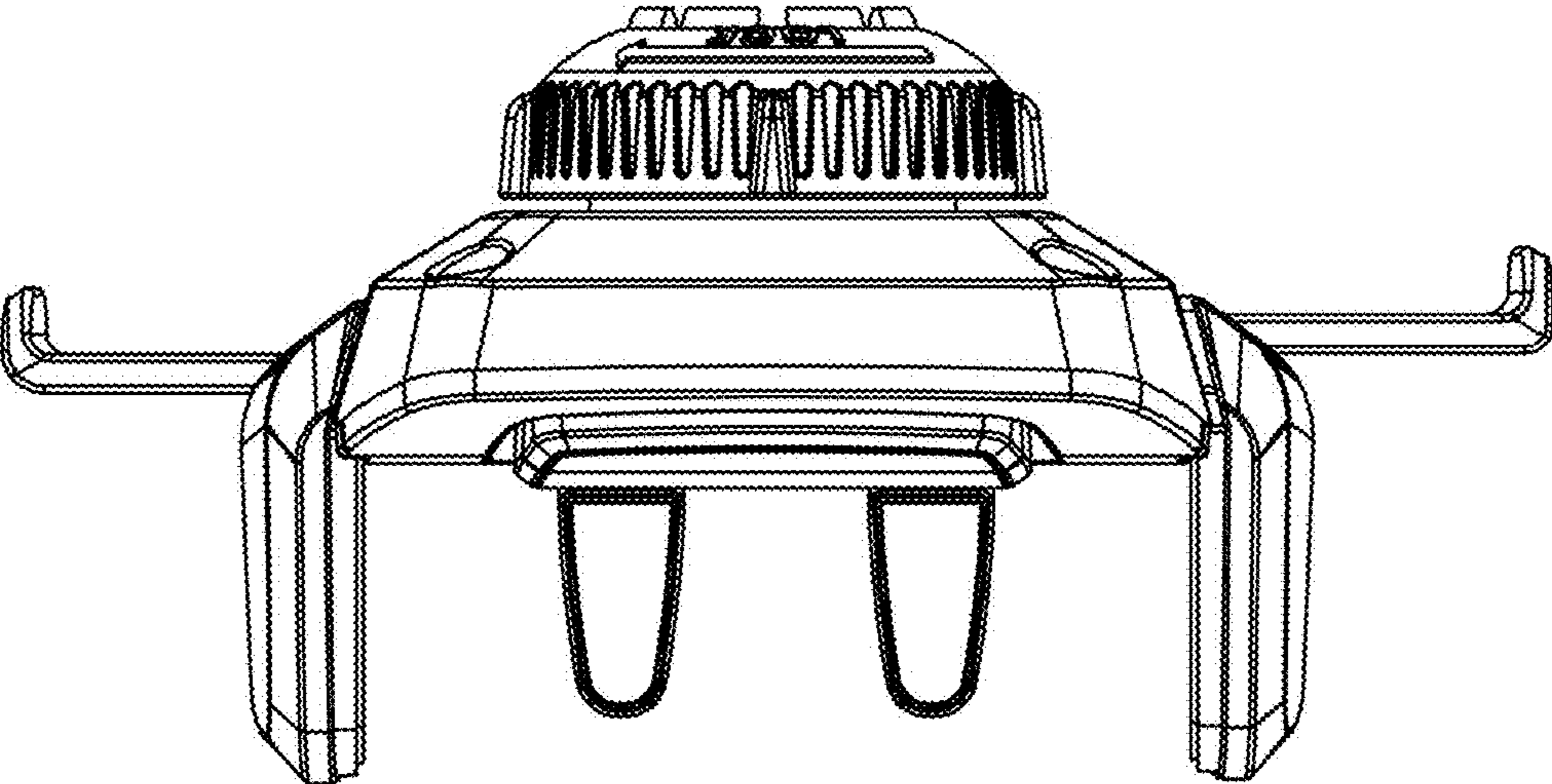


FIGURE 28

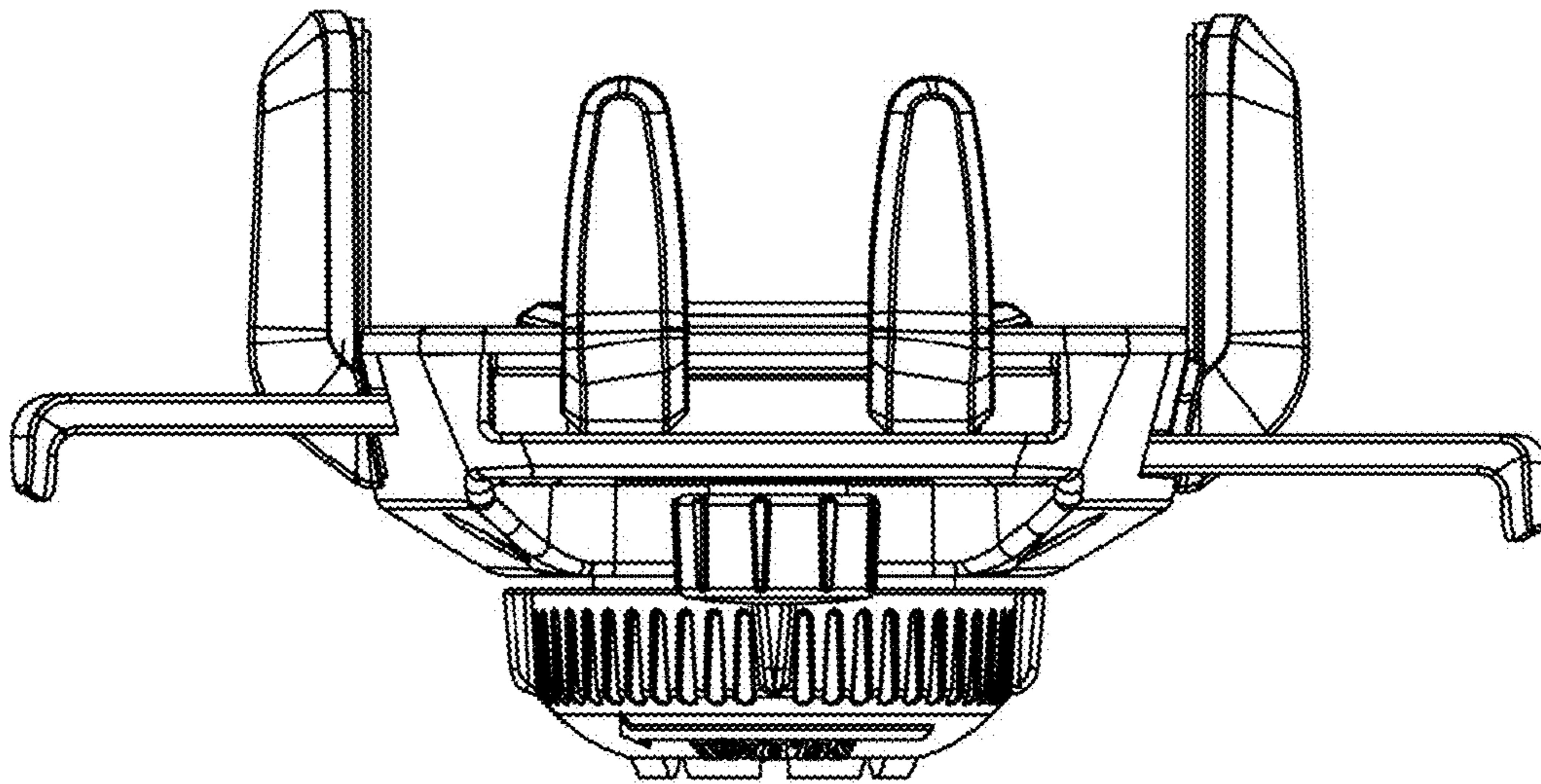


FIGURE 29

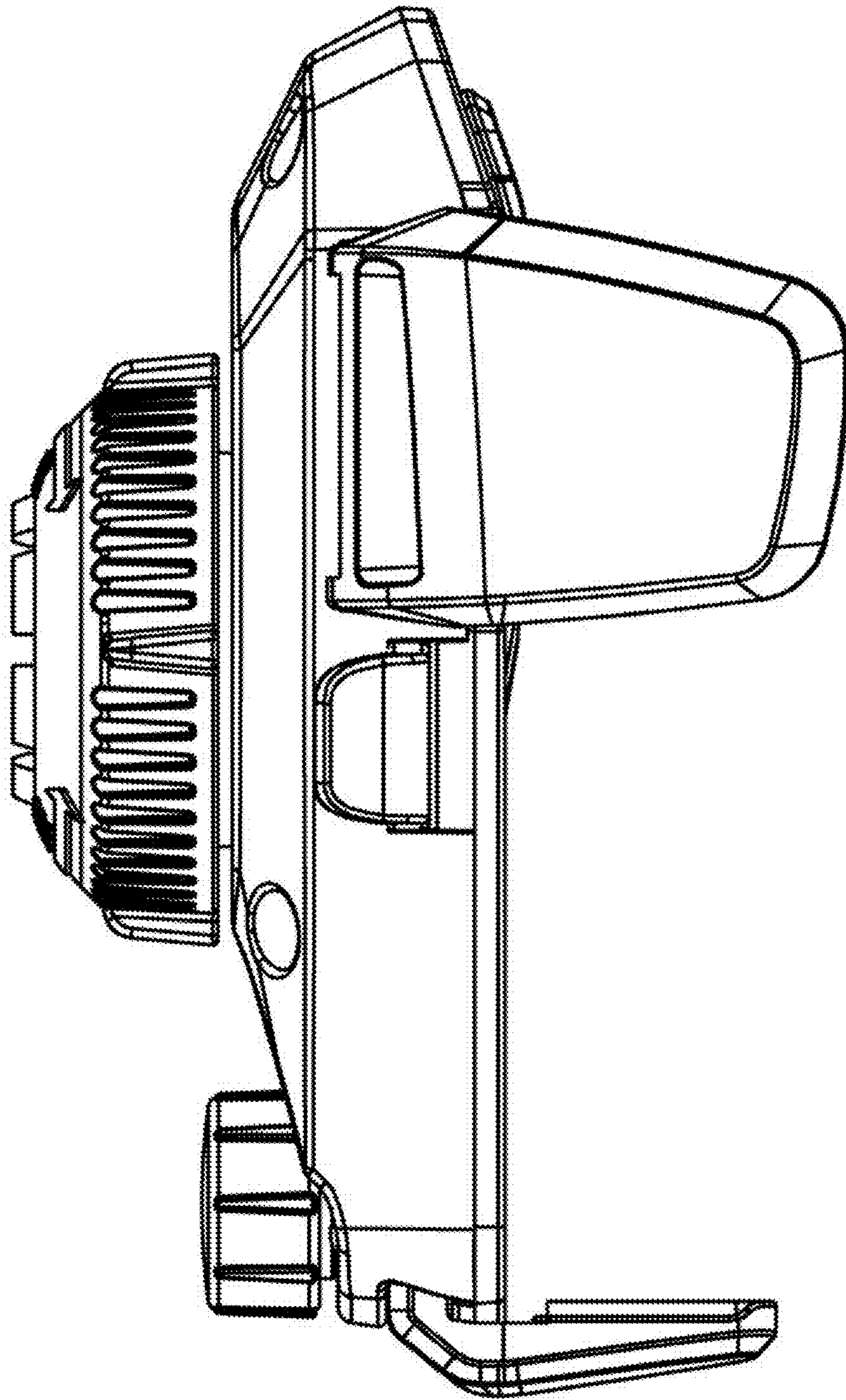


FIGURE 30

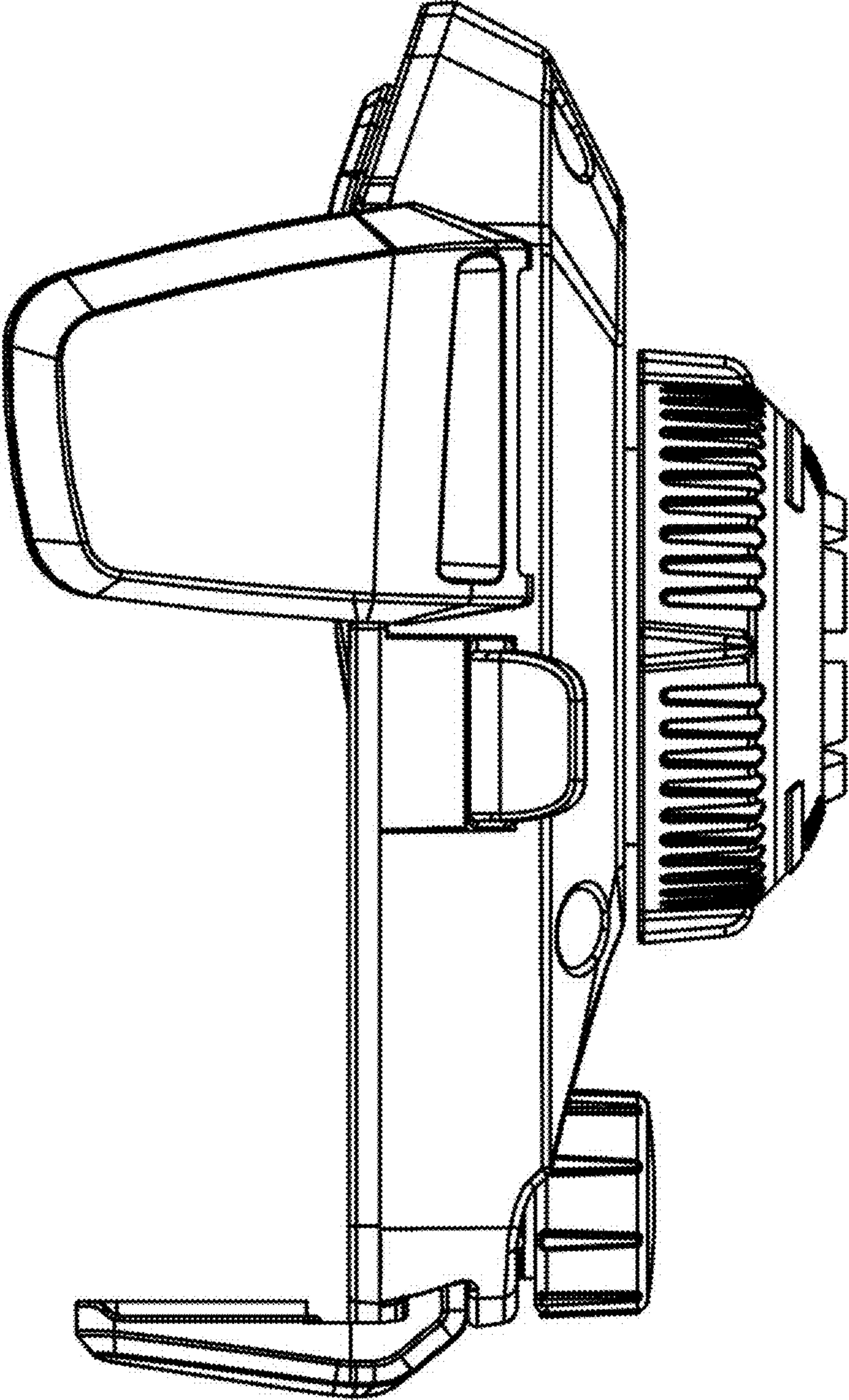


FIGURE 31

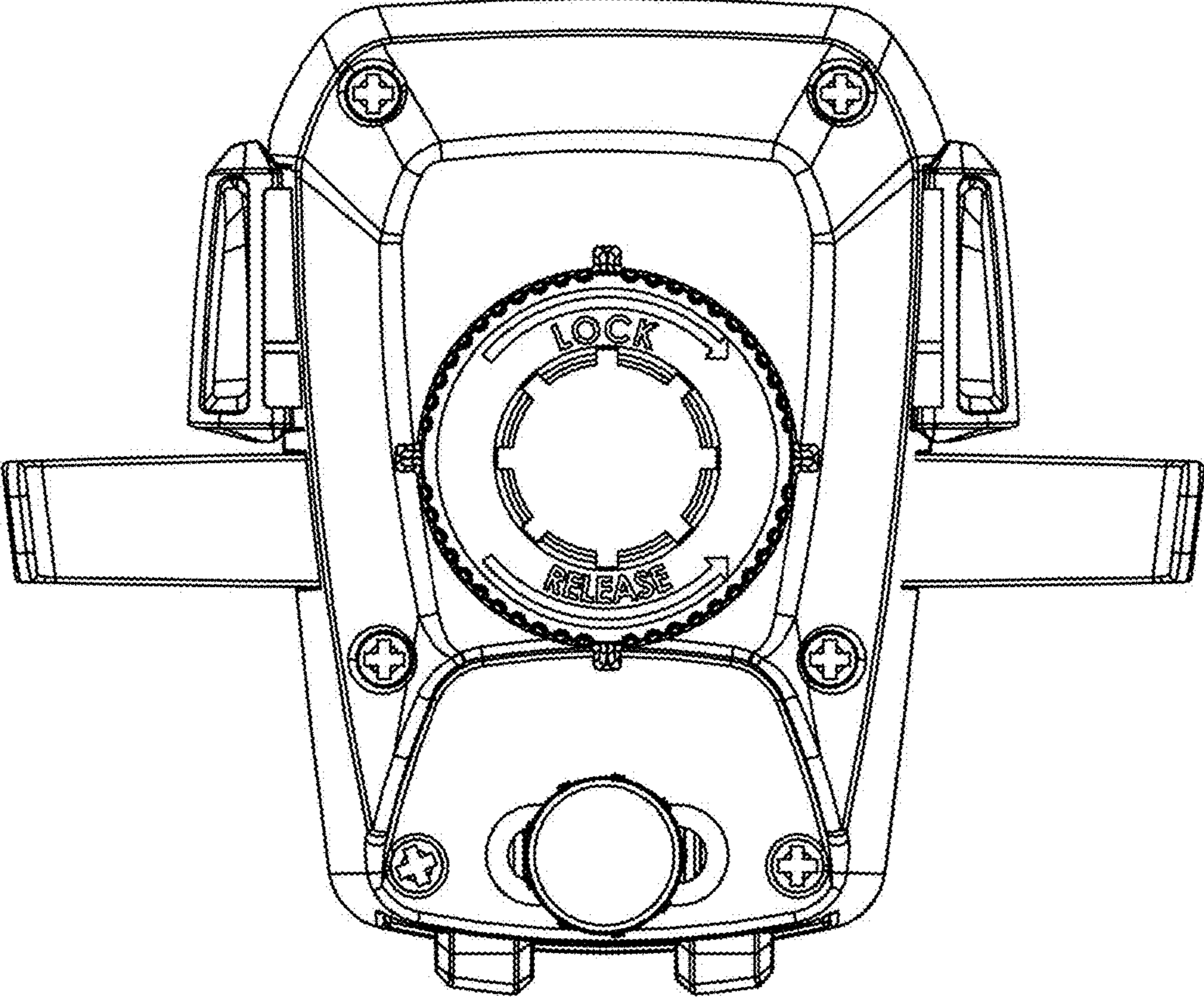


FIGURE 32

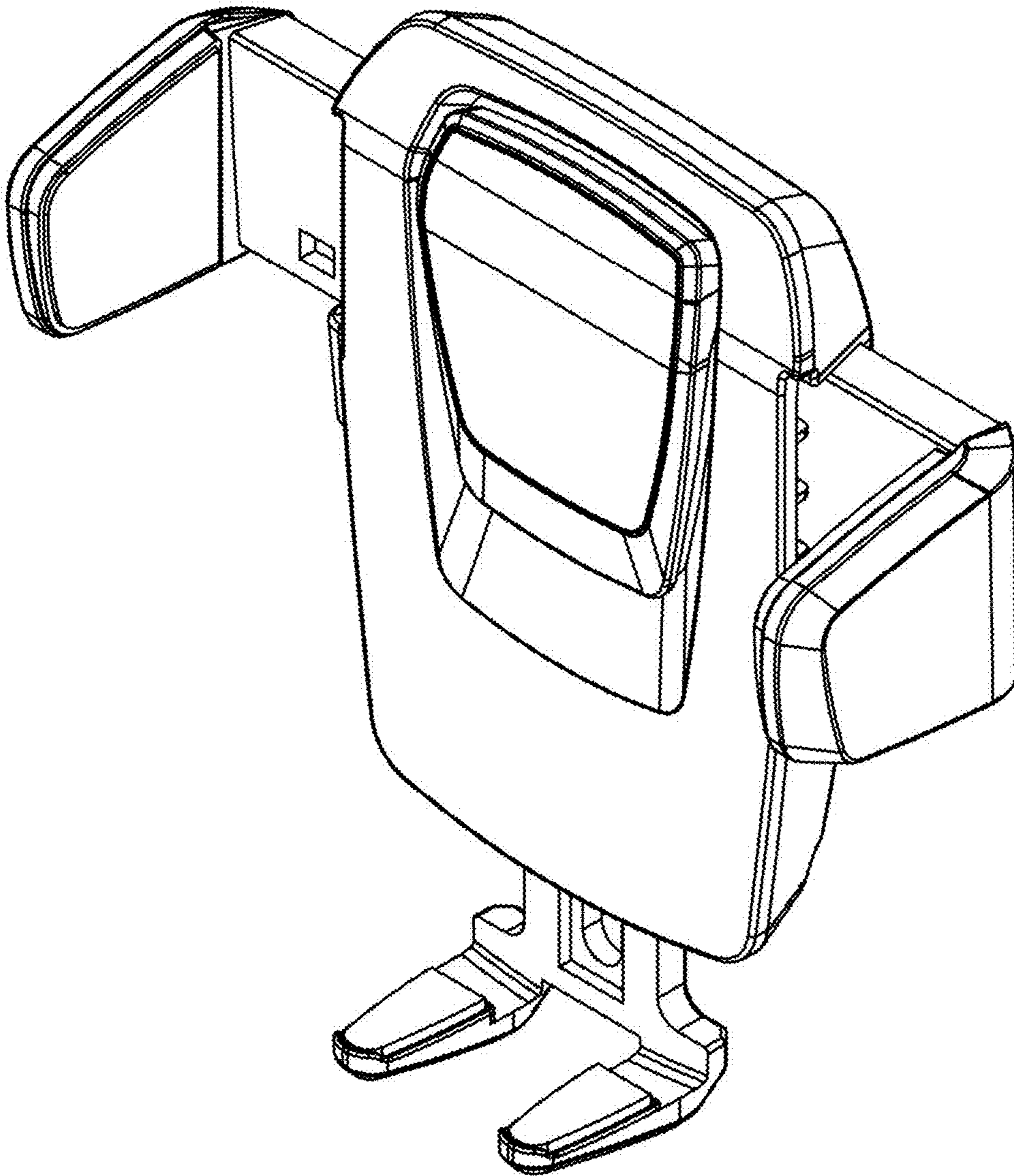


FIGURE 33

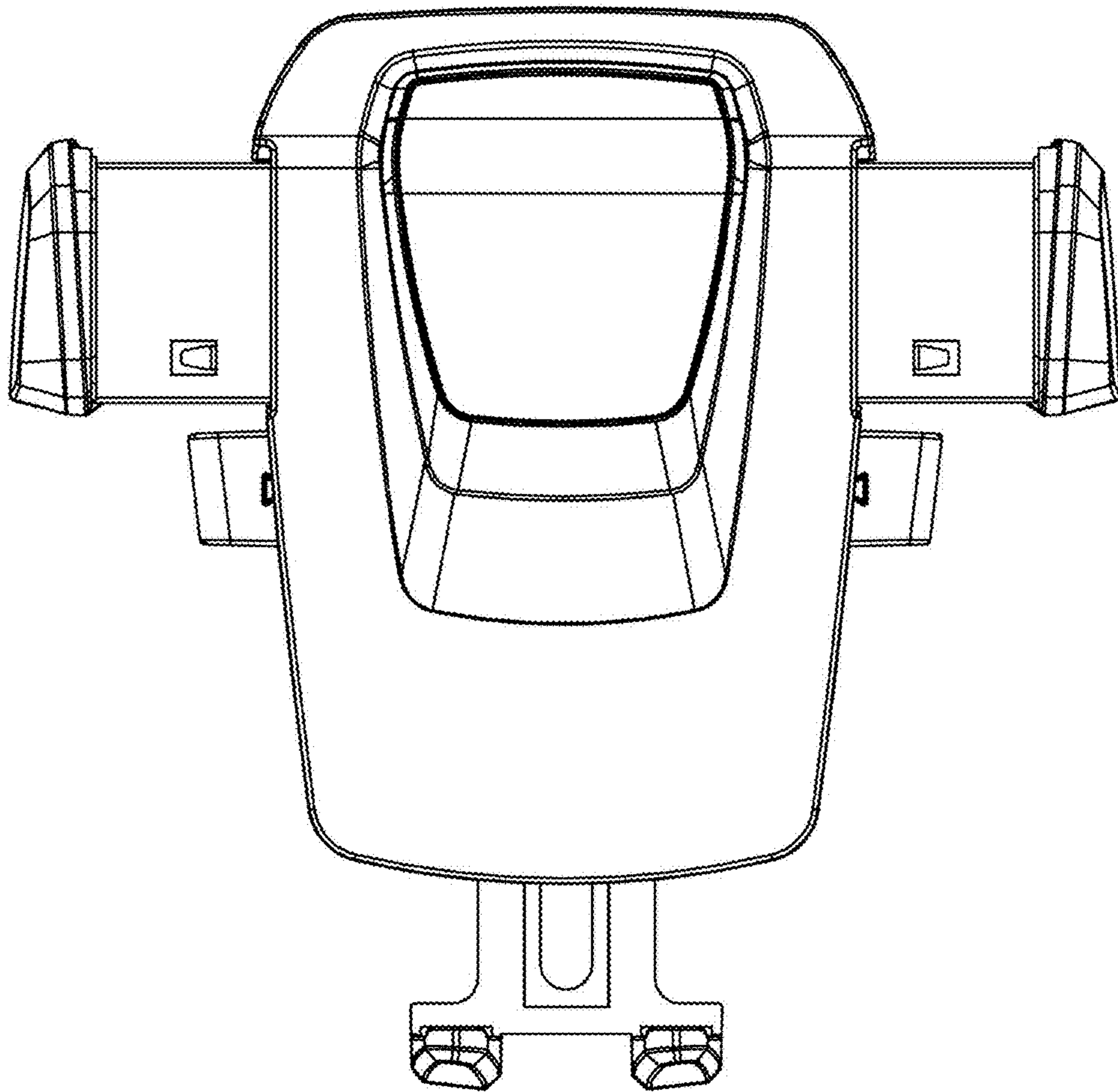


FIGURE 34

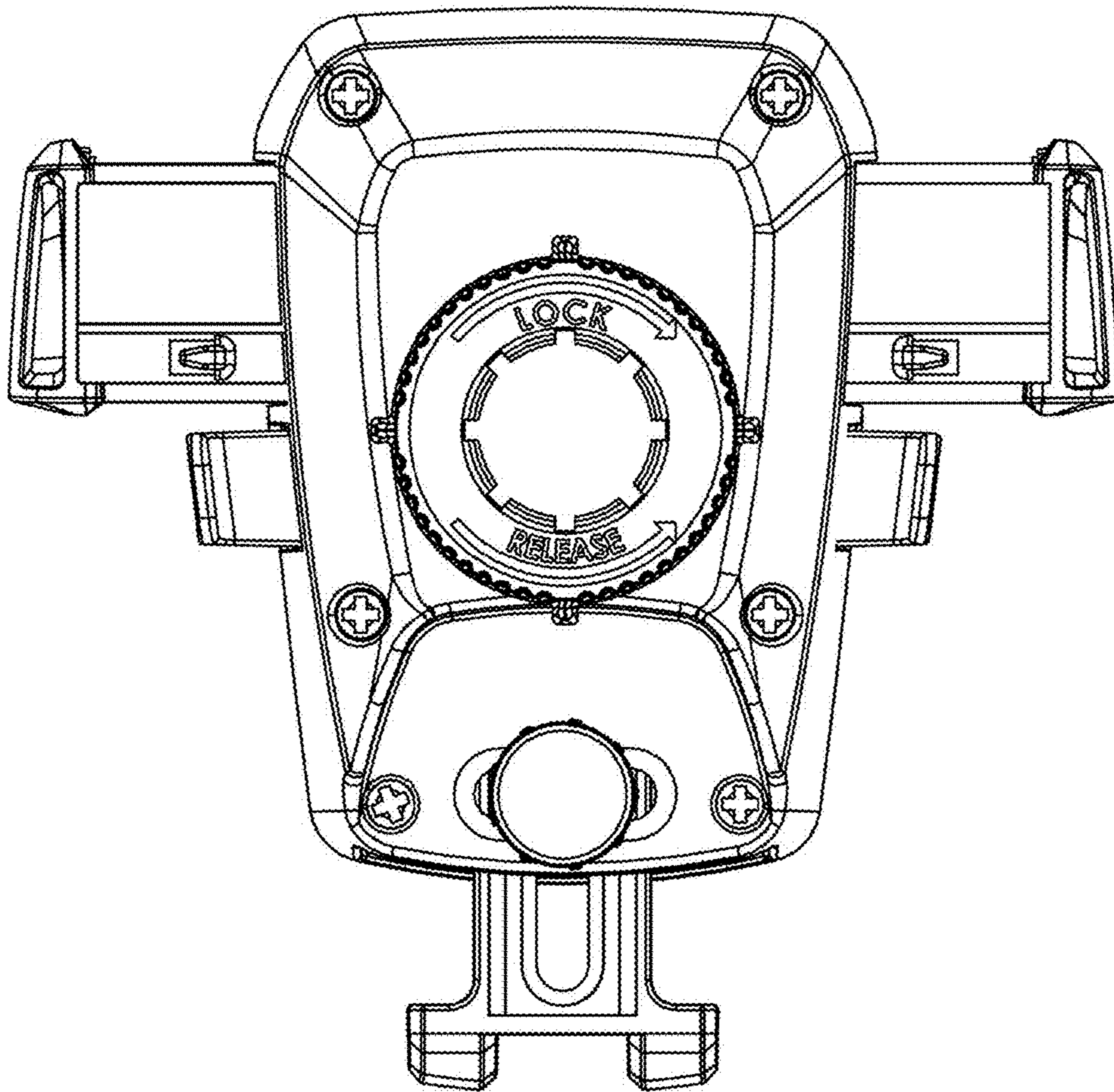


FIGURE 35

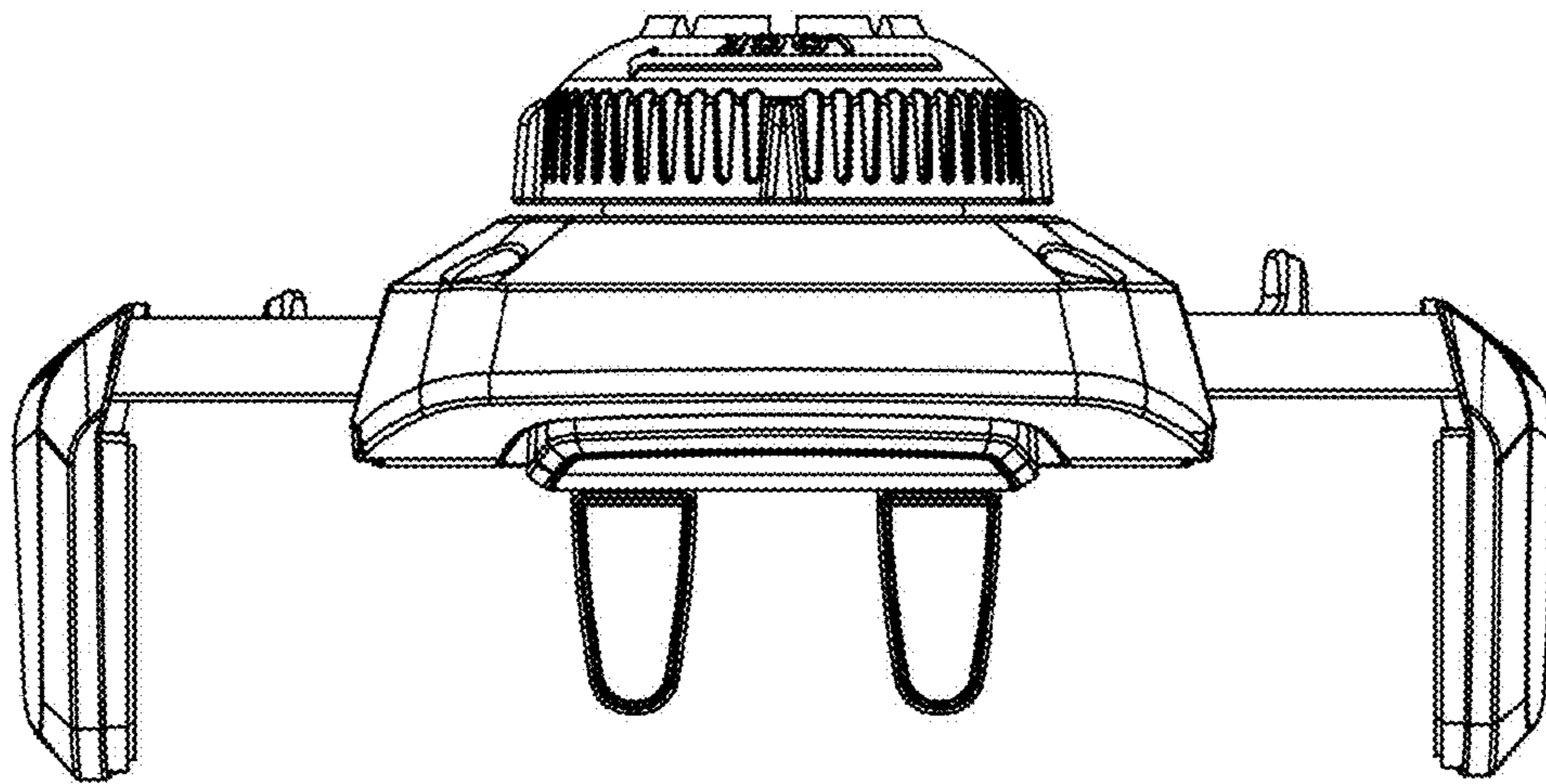


FIGURE 36

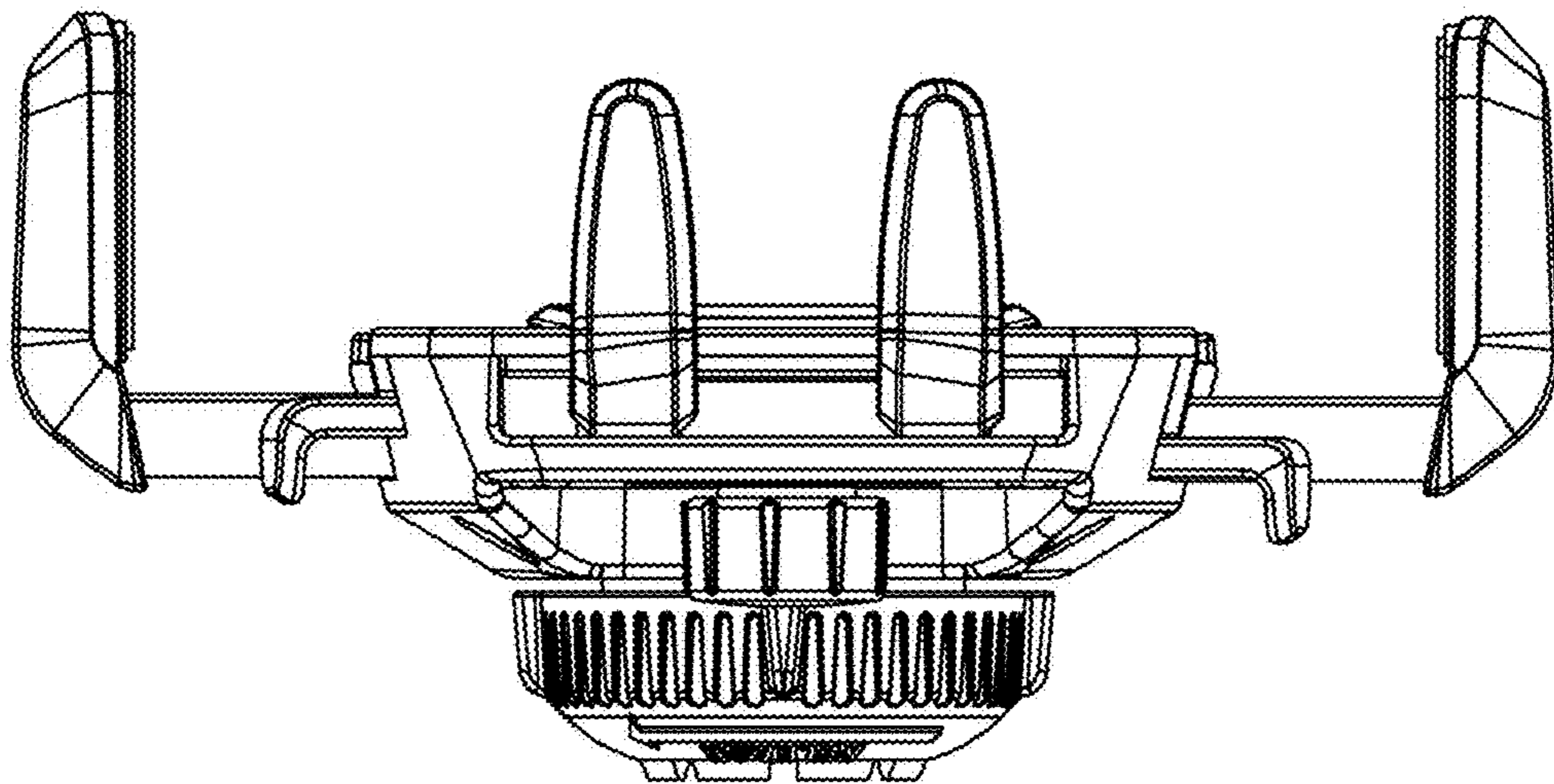


FIGURE 37

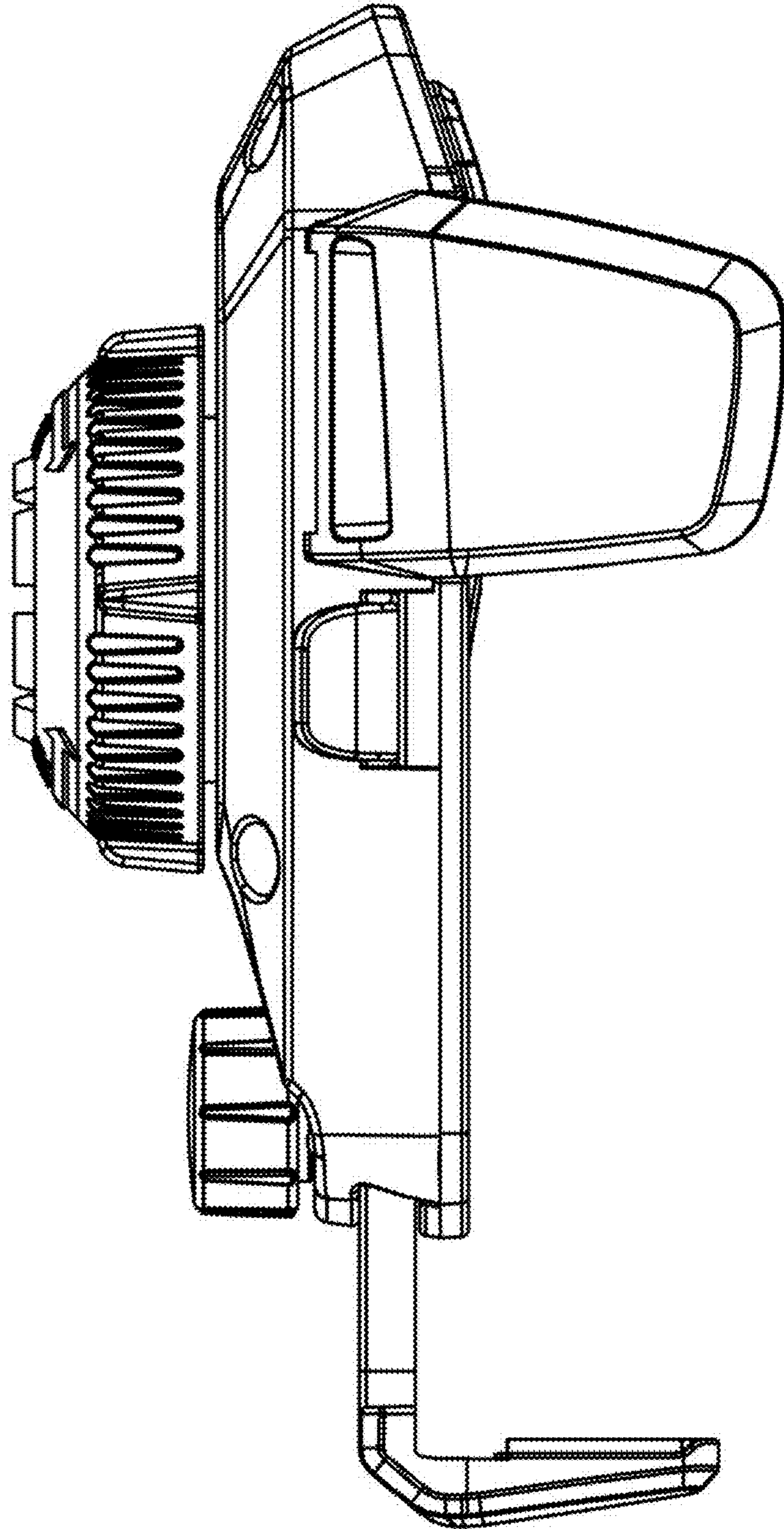


FIGURE 38

