

US00D832247S

(12) **United States Design Patent**
Sukphist et al.

(10) **Patent No.:** **US D832,247 S**
(45) **Date of Patent:** **** Oct. 30, 2018**

(54) **CD SLOT MOUNT AND HOLDER COMBINATION FOR MOBILE DEVICES**

(71) Applicant: **IOTTIE, INC.**, New York, NY (US)

(72) Inventors: **Phistsuk Paul Sukphist**, Englewood, NJ (US); **Jeremy Leeds Frank**, Glen Head, NJ (US)

(73) Assignee: **IOTTIE, INC.**, New York, NY (US)

(**) Term: **15 Years**

(21) Appl. No.: **29/550,744**

(22) Filed: **Jan. 6, 2016**

(51) **LOC (11) Cl.** **14-03**

(52) **U.S. Cl.**
USPC **D14/253**

(58) **Field of Classification Search**
USPC D14/251–253, 447, 451, 452, 440, 434, D14/458, 432, 439, 457, 460, 238.1, 140, D14/142, 149, 217; D12/415; D3/218
(Continued)

(56) **References Cited**

U.S. PATENT DOCUMENTS

D690,707 S * 10/2013 Minn B60R 11/0241
D14/447
D718,298 S * 11/2014 Aspinall D14/253
(Continued)

Primary Examiner — Janice Hallmark

(74) *Attorney, Agent, or Firm* — Lucas & Mercanti, LLP

(57) **CLAIM**

The ornamental design for CD slot mount and holder combination for mobile devices, as shown and described.

DESCRIPTION

FIG. 1 is a front isometric view of a CD slot mount and holder combination for mobile devices showing our new design;

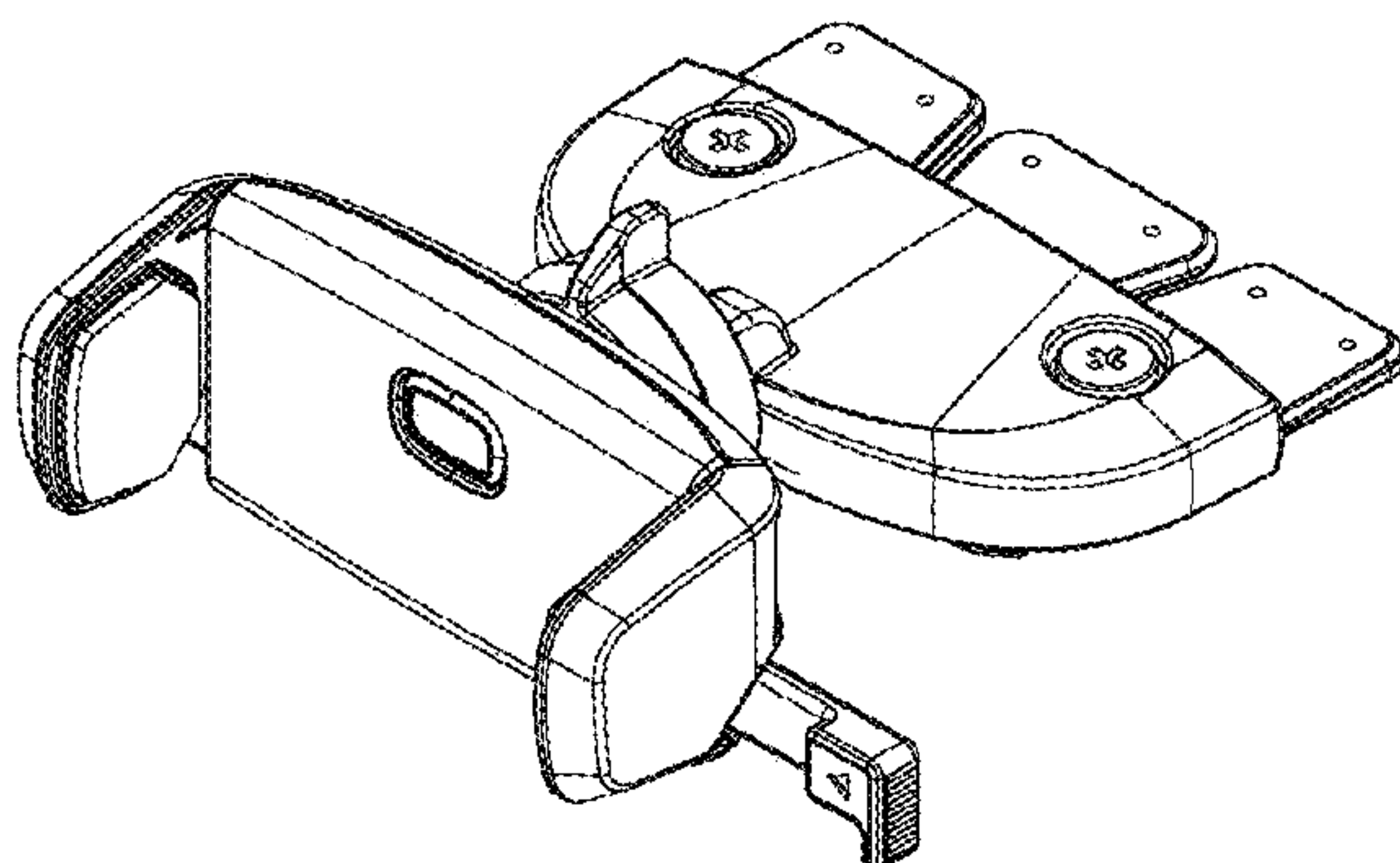


FIG. 2 is a front view of a CD slot mount and holder combination for mobile devices showing our new design; FIG. 3 is a rear view of a CD slot mount and holder combination for mobile devices showing our new design; FIG. 4 is a right side view of a CD slot mount and holder combination for mobile devices showing our new design; FIG. 5 is a left side view of a CD slot mount and holder combination for mobile devices showing our new design; FIG. 6 is a top view of a CD slot mount and holder combination for mobile devices showing our new design; FIG. 7 is a bottom view of a CD slot mount and holder combination for mobile devices showing our new design; FIG. 8 is a front isometric view of a CD slot mount and holder combination for mobile devices showing our new design with the holder's arm extended; FIG. 9 is a front view of a CD slot mount and holder combination for mobile devices showing our new design with the holder's arm extended; FIG. 10 is a rear view of a CD slot mount and holder combination for mobile devices showing our new design with the holder's arm extended; FIG. 11 is a right view of a CD slot mount and holder combination for mobile devices showing our new design with the holder's arm extended; FIG. 12 is a left view of a CD slot mount and holder combination for mobile devices showing our new design with the holder's arm extended; FIG. 13 is a top view of a CD slot mount and holder combination for mobile devices showing our new design with the holder's arm extended; FIG. 14 is a bottom view of a CD slot mount and holder combination for mobile devices showing our new design with the holder's arm extended; FIG. 15 is a front isometric view of a CD slot mount for the CD slot mount and holder combination for mobile devices showing our new design; FIG. 16 is a front view of a CD slot mount for the CD slot mount and holder combination for mobile devices showing our new design; FIG. 17 is a rear view of a CD slot mount for the CD slot mount and holder combination for mobile devices showing our new design;

(Continued)

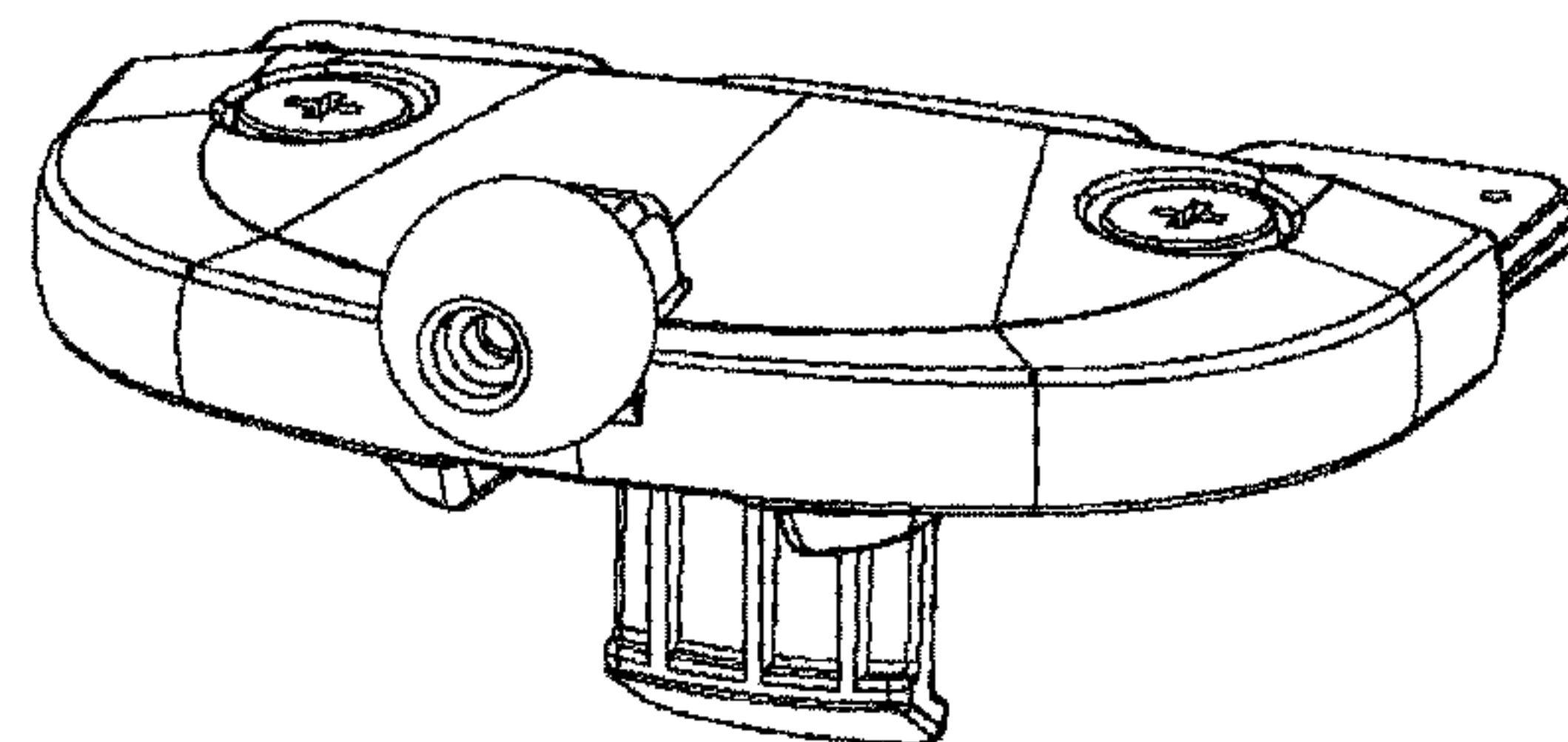


FIG. 18 is a left side view of a CD slot mount for the CD slot mount and holder combination for mobile devices showing our new design;

FIG. 19 is a right side view of a CD slot mount for the CD slot mount and holder combination for mobile devices showing our new design;

FIG. 20 is a top view of a CD slot mount for the CD slot mount and holder combination for mobile devices showing our new design;

FIG. 21 is a bottom view of a CD slot mount for the CD slot mount and holder combination for mobile devices showing our new design;

FIG. 22 is a front isometric view of a CD slot mount for the CD slot mount and holder combination for mobile devices, with the back fins twisted for different fitting to the vent, showing our new design;

FIG. 23 is a front view of a CD slot mount for the CD slot mount and holder combination for mobile devices, with the back fins twisted for different fitting to the vent, showing our new design;

FIG. 24 is a rear view of a CD slot mount for the CD slot mount and holder combination for mobile devices, with the back fins twisted for different fitting to the vent, showing our new design;

FIG. 25 is a left side view of a CD slot mount for the CD slot mount and holder combination for mobile devices, with the back fins twisted for different fitting to the vent, showing our new design;

FIG. 26 is a right side view of a CD slot mount for the CD slot mount and holder combination for mobile devices, with the back fins twisted for different fitting to the vent, showing our new design;

FIG. 27 is a top view of a CD slot mount for the CD slot mount and holder combination for mobile devices, with the back fins twisted for different fitting to the vent, showing our new design;

FIG. 28 is a bottom view of a CD slot mount for the CD slot mount and holder combination for mobile devices, with the back fins twisted for different fitting to the vent, showing our new design;

FIG. 29 is a front isometric view of a holder for the CD slot mount and holder combination for mobile devices showing our new design;

FIG. 30 is a front view of a holder for the CD slot mount and holder combination for mobile devices showing our new design;

FIG. 31 is a rear view of a holder for the CD slot mount and holder combination for mobile devices showing our new design;

FIG. 32 is a left side view of a holder for the CD slot mount and holder combination for mobile devices showing our new design;

FIG. 33 is a right side view of a holder for the CD slot mount and holder combination for mobile devices showing our new design;

FIG. 34 is a top view of a holder for the CD slot mount and holder combination for mobile devices showing our new design;

FIG. 35 is a bottom view of a holder for the CD slot mount and holder combination for mobile devices showing our new design;

FIG. 36 is a front isometric view of a holder for the CD slot mount and holder combination for mobile devices showing our new design, with the holder's arm extended;

FIG. 37 is a front view of a holder for the CD slot mount and holder combination for mobile devices showing our new design, with the holder's arm extended;

FIG. 38 is a rear view of a holder for the CD slot mount and holder combination for mobile devices showing our new design, with the holder's arm extended;

FIG. 39 is a right side view of a holder for the CD slot mount and holder combination for mobile devices showing our new design, with the holder's arm extended;

FIG. 40 is a left side view of a holder for the CD slot mount and holder combination for mobile devices showing our new design, with the holder's arm extended;

FIG. 41 is a top view of a holder for the CD slot mount and holder combination for mobile devices showing our new design, with the holder's arm extended; and,

FIG. 42 is a bottom view of a holder for the CD slot mount and holder combination for mobile devices showing our new design, with the holder's arm extended.

1 Claim, 42 Drawing Sheets

(58) **Field of Classification Search**

CPC B60R 2011/0008; B60R 11/02; B60R 11/0241; B60R 11/0258; B60R 11/0252; B60R 2011/0294; F16M 11/00; F16M 11/04; F16M 11/041; F16M 11/02; F16M 11/06; F16M 13/00; H04M 1/02; H04M 1/04; H04M 1/11; H04M 1/12; A47F 7/022; B62J 11/00; H05K 7/00; G03B 17/56

See application file for complete search history.

(56) **References Cited**

U.S. PATENT DOCUMENTS

D732,519	S	*	6/2015	Aspinall	D14/253
D733,115	S	*	6/2015	Aspinall	D14/253
9,103,487	B2	*	8/2015	Hale	G03B 17/566
D750,633	S	*	3/2016	Minn	D14/447
D757,705	S	*	5/2016	Esses	D14/251
D765,651	S	*	9/2016	Liu	D14/253
D767,556	S	*	9/2016	Lee	D12/415
D768,125	S	*	10/2016	Kim	D14/253
D769,860	S	*	10/2016	Xiao	D14/253
D780,168	S	*	2/2017	Du	D14/253
D780,169	S	*	2/2017	Du	D14/253
D781,297	S	*	3/2017	Liao	D14/447
D782,462	S	*	3/2017	Huang	D14/253
D783,012	S	*	4/2017	Lee	D14/253
D783,013	S	*	4/2017	Chun	D14/253
D783,014	S	*	4/2017	Chun	D14/253
D783,592	S	*	4/2017	Ju	D14/253
D790,436	S	*	6/2017	Du	D12/415
D799,466	S	*	10/2017	Sukphist	D14/253
D815,104	S	*	4/2018	Bertelle	D14/447
9,956,923	B2	*	5/2018	Minn	B60R 11/0241
2008/0190978	A1	*	8/2008	Brassard	B60R 11/02 224/483

* cited by examiner

FIGURE 1

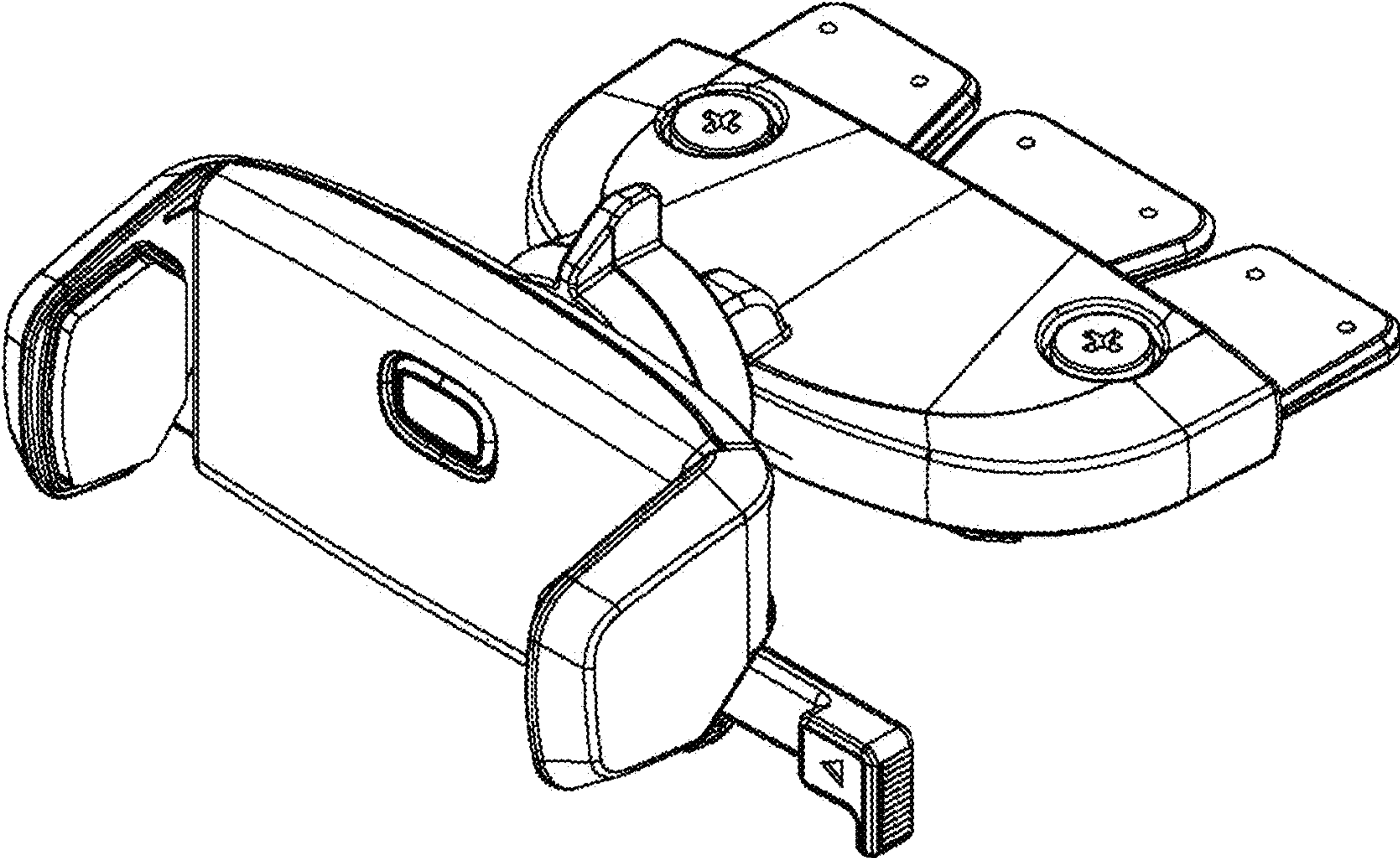


FIGURE 2

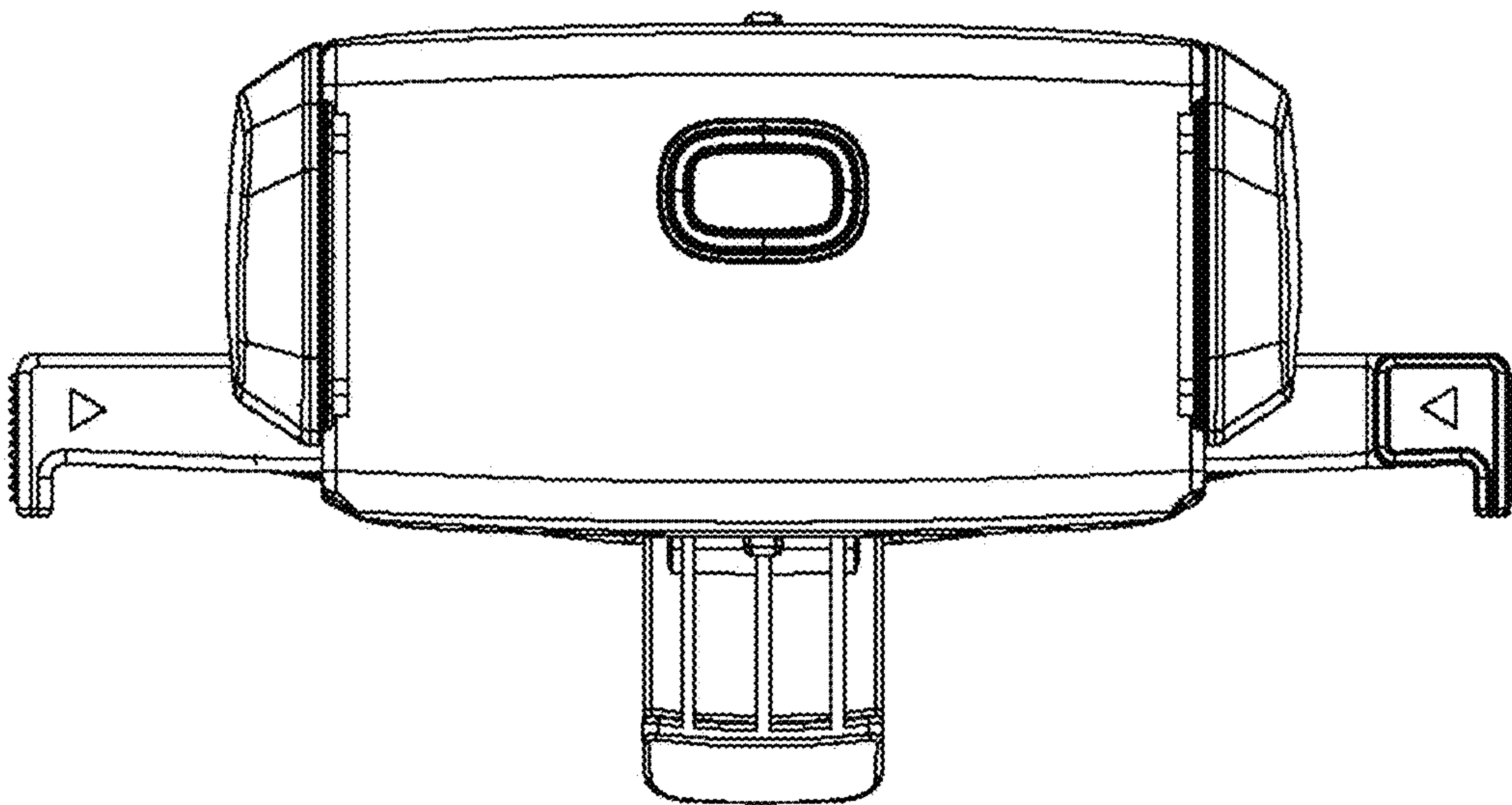


FIGURE 3

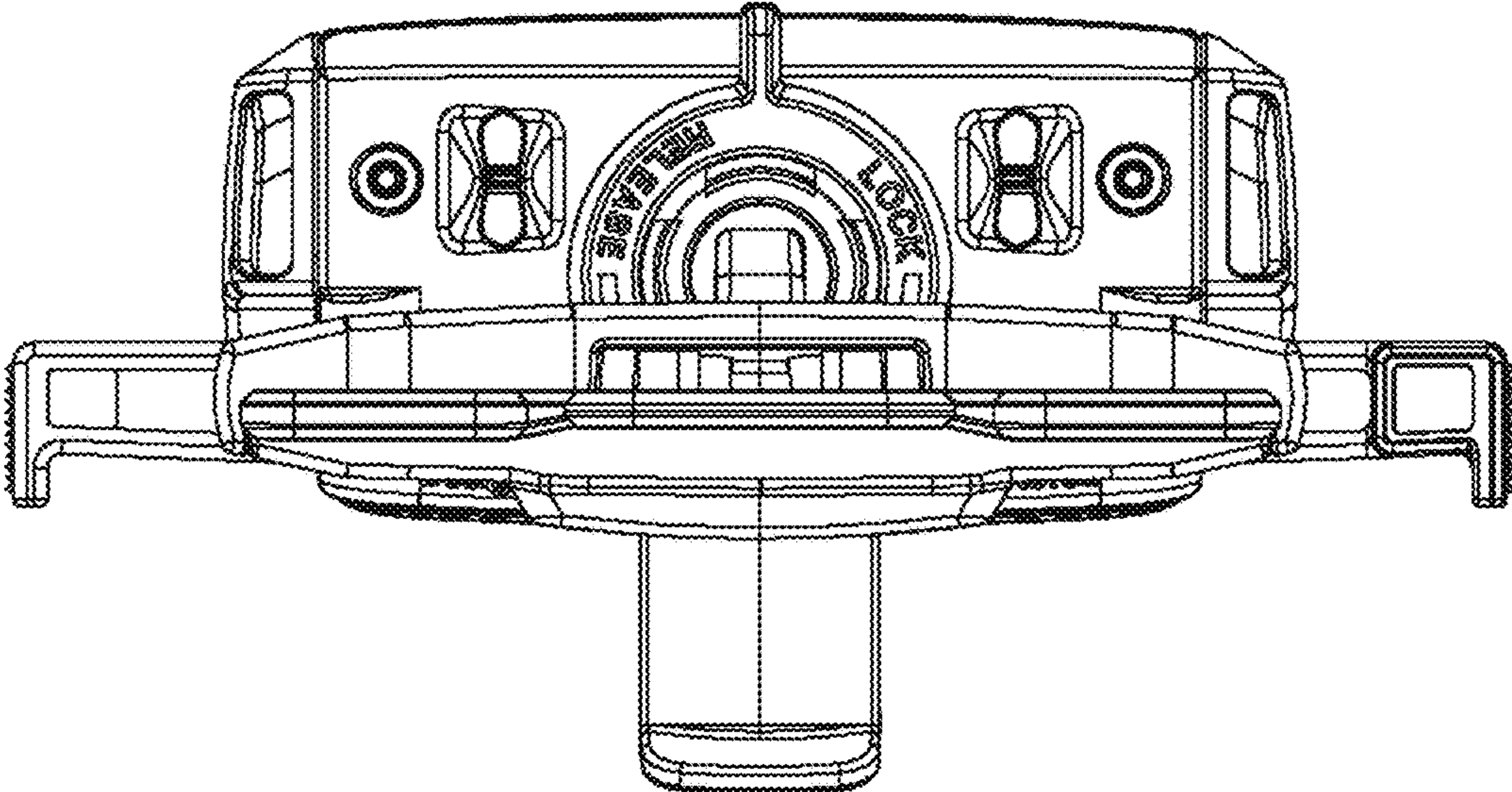


FIGURE 4

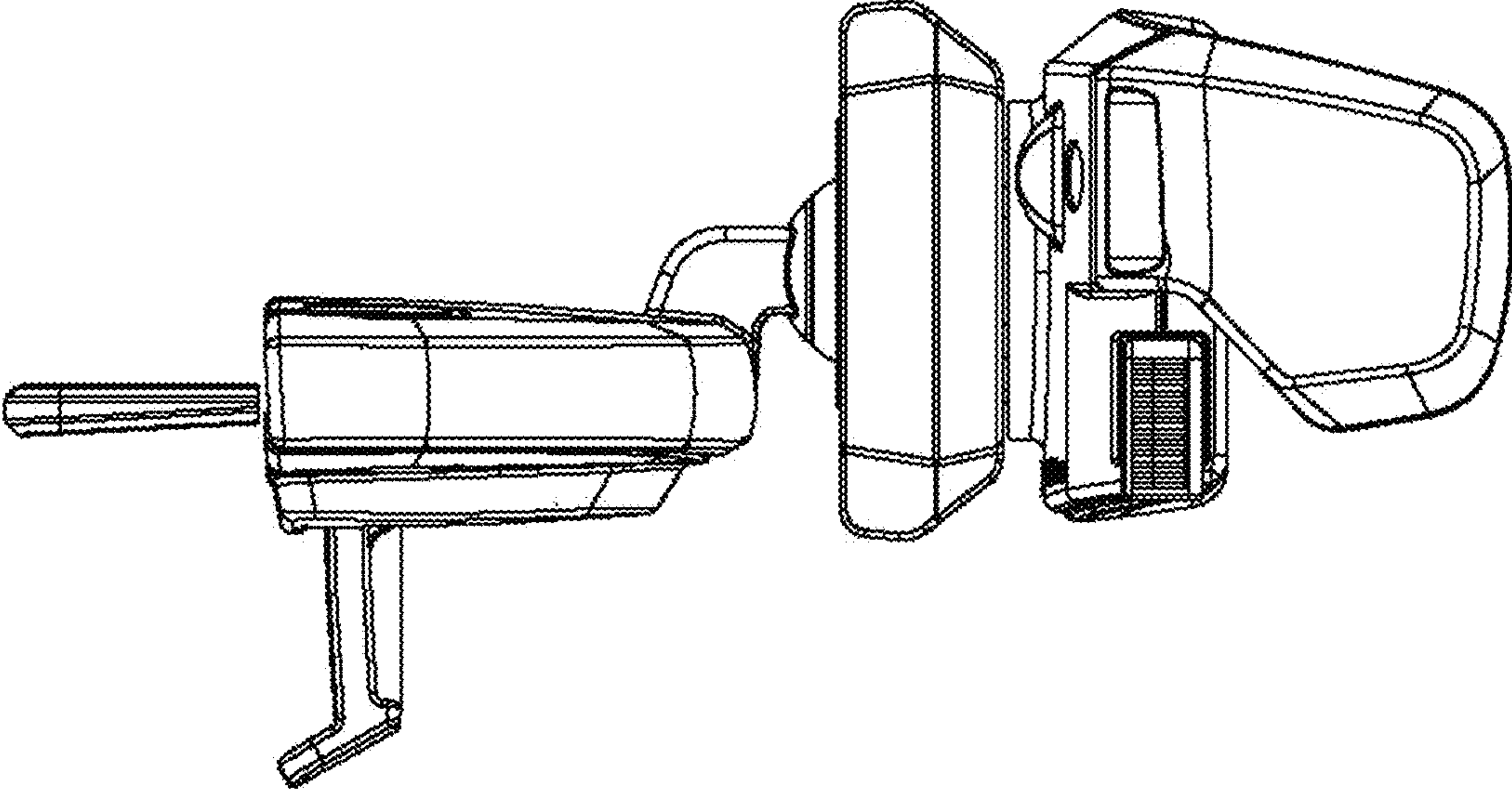


FIGURE 5

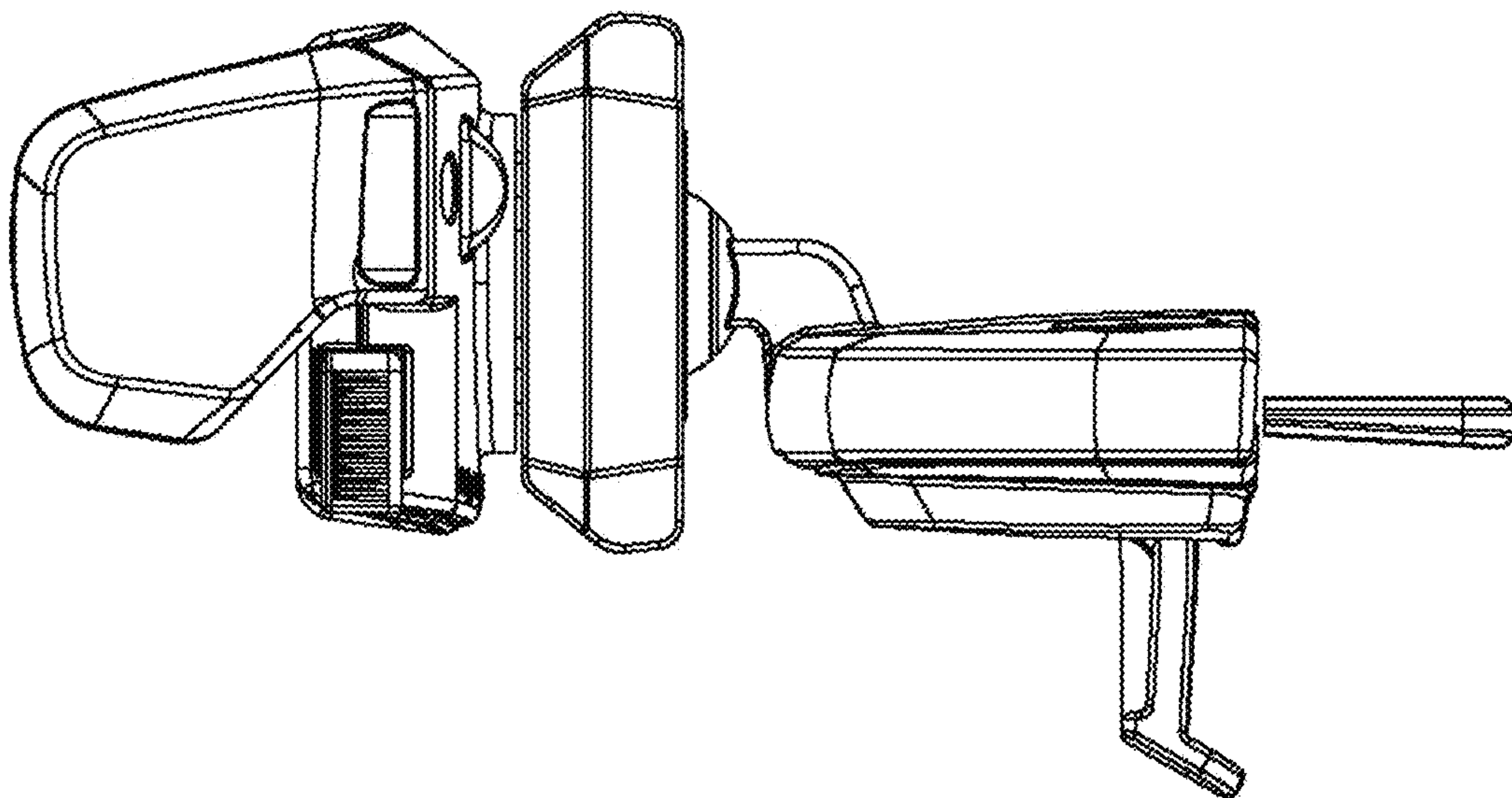


FIGURE 6

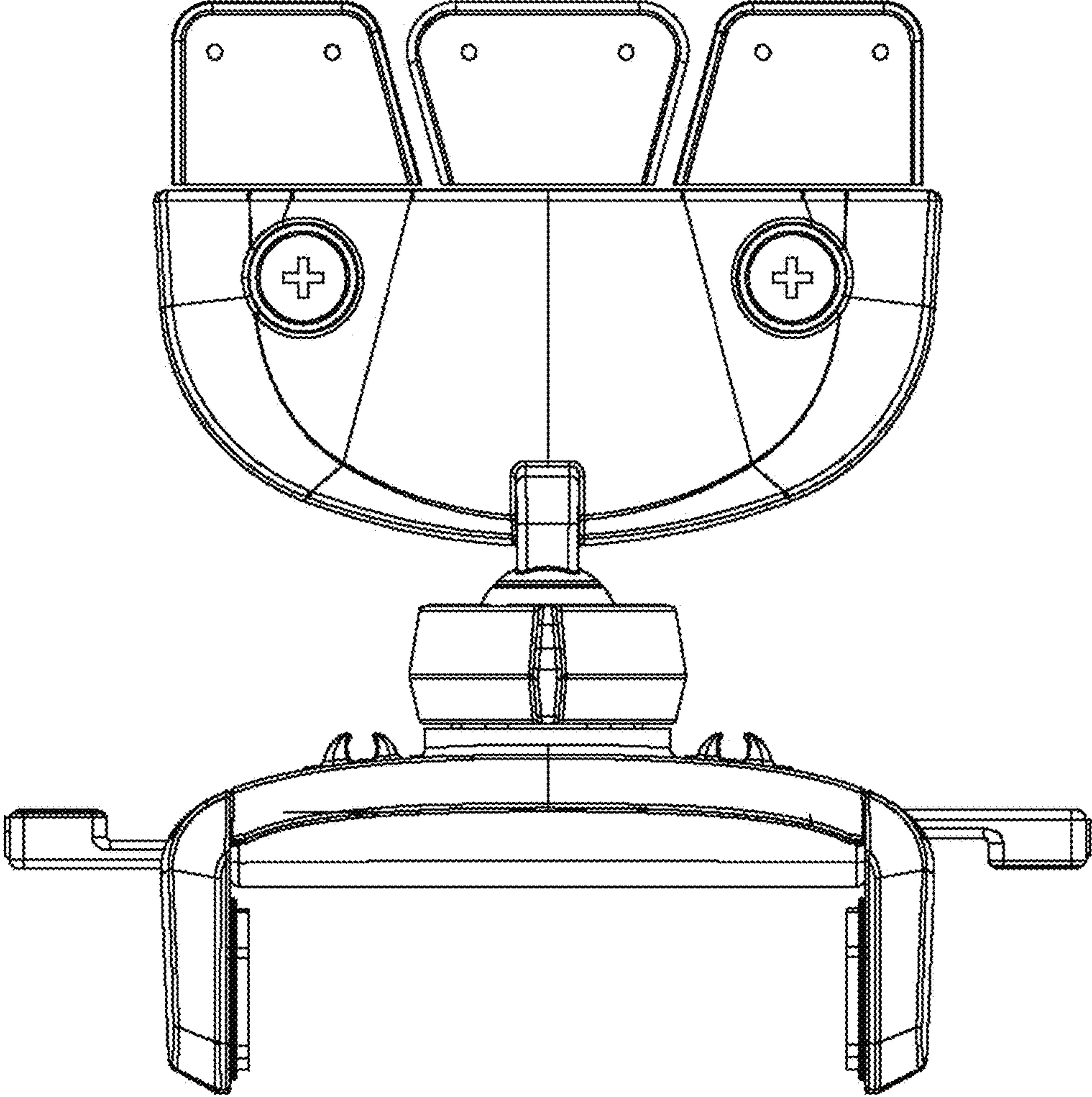


FIGURE 7

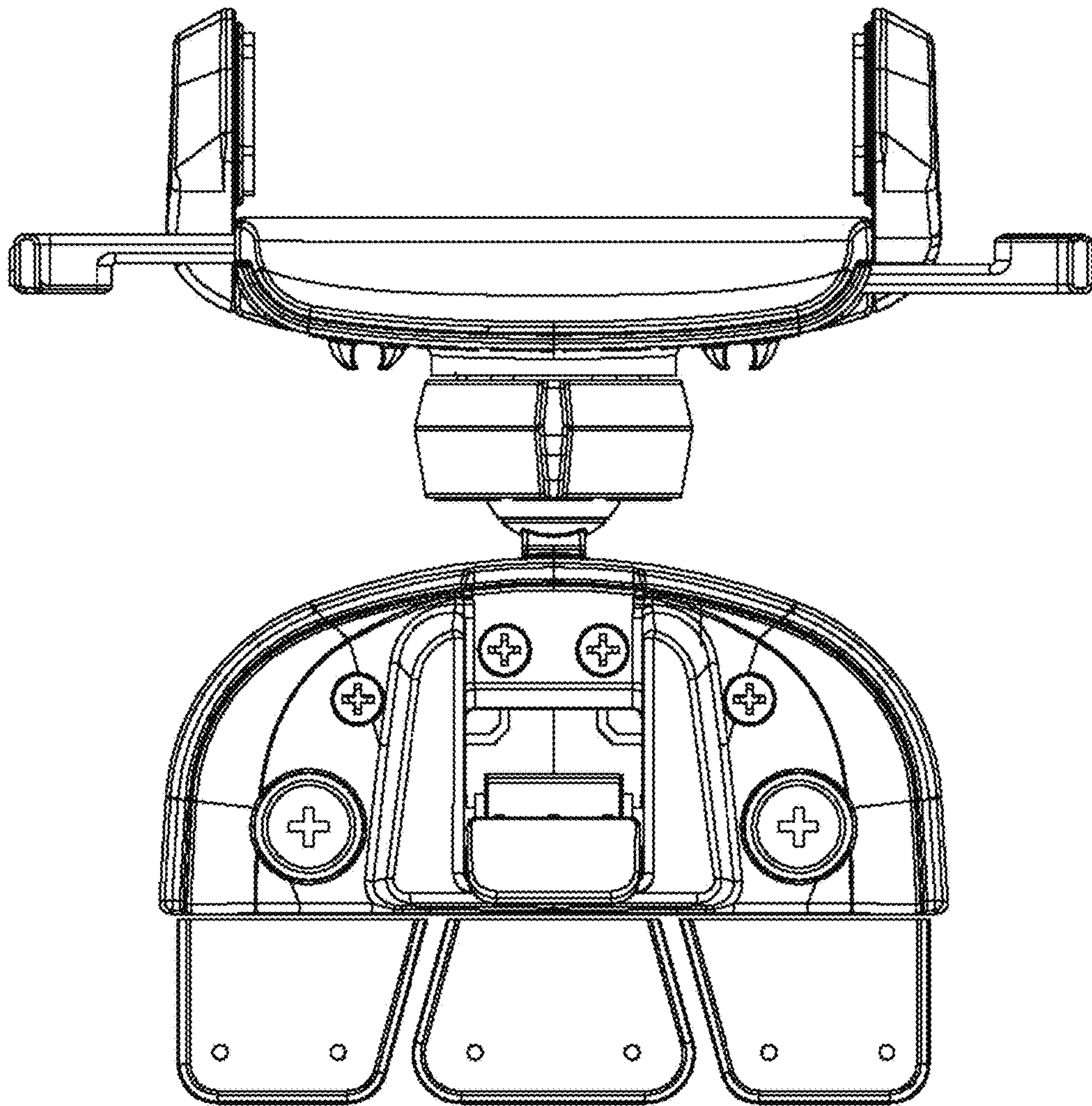


FIGURE 8

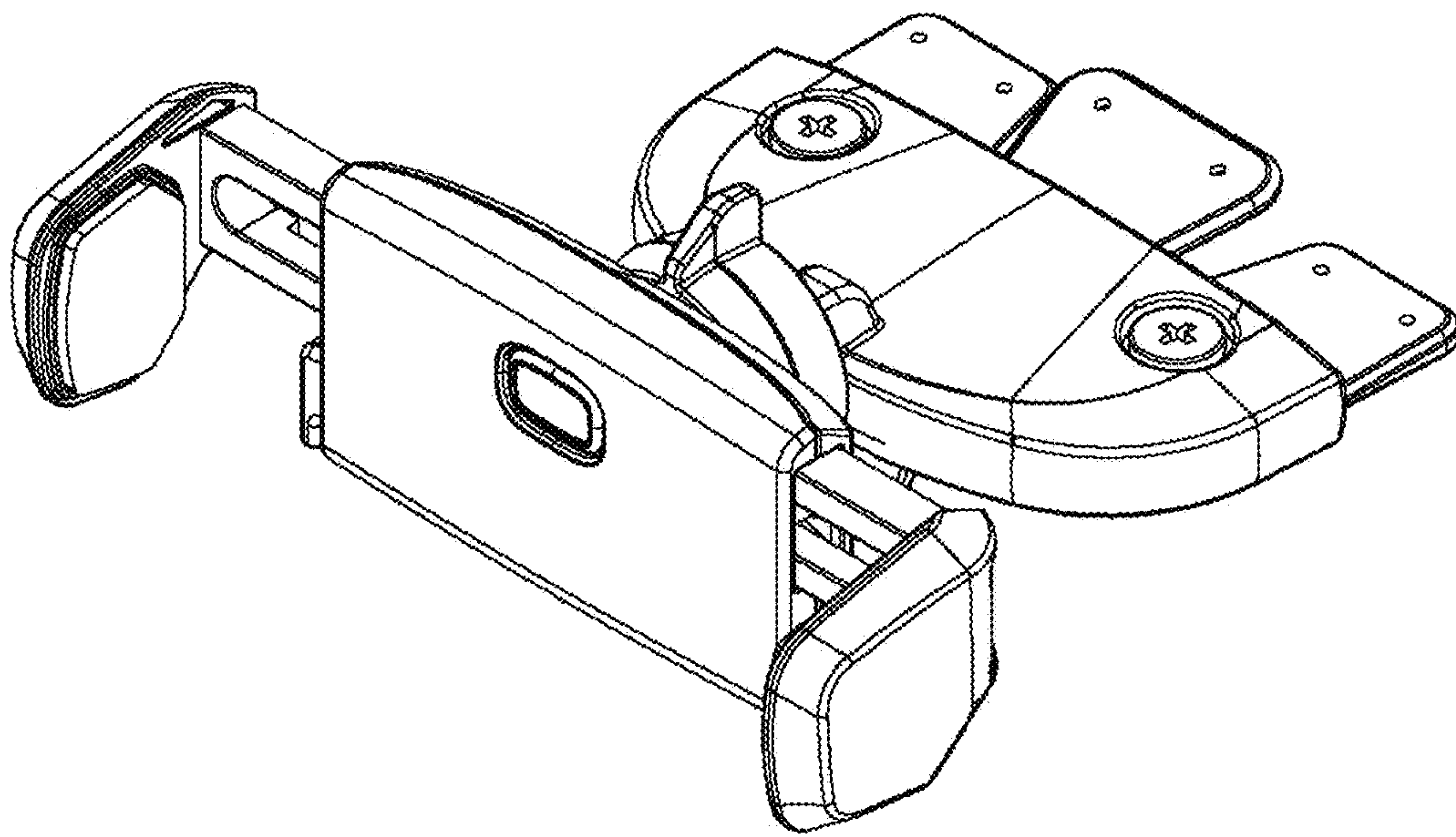


FIGURE 9

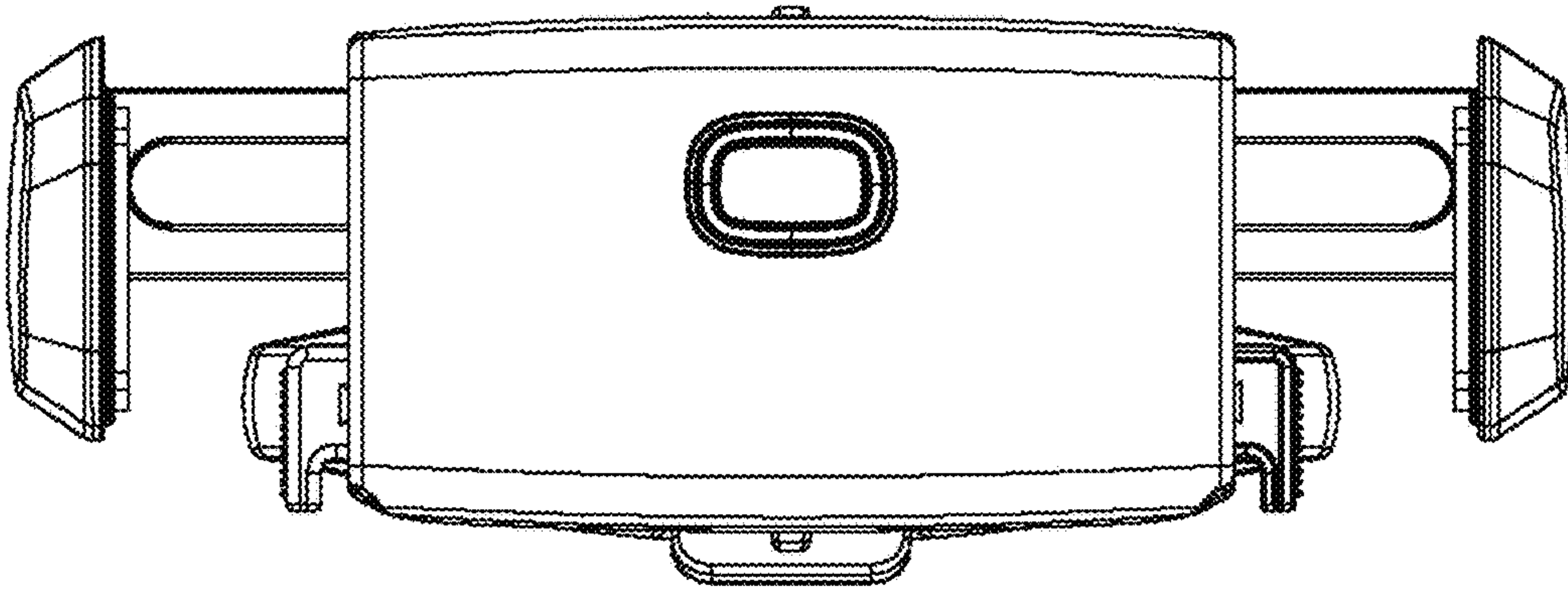


FIGURE 10

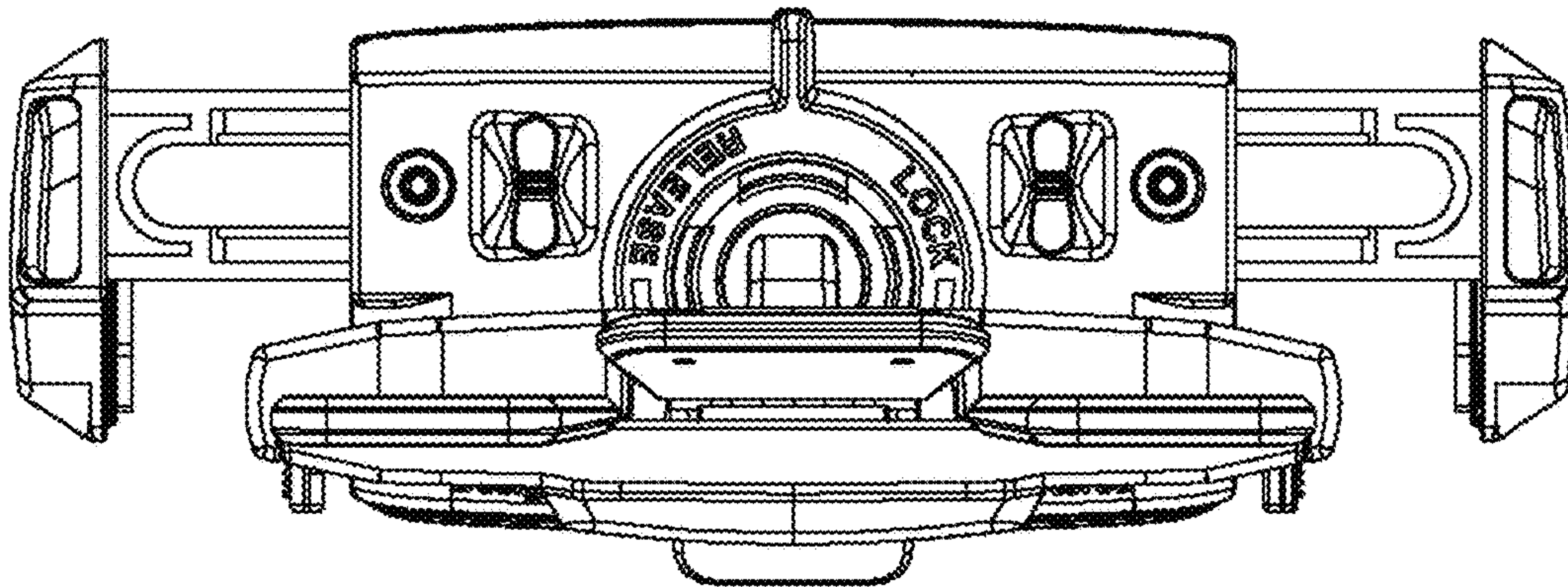


FIGURE 11

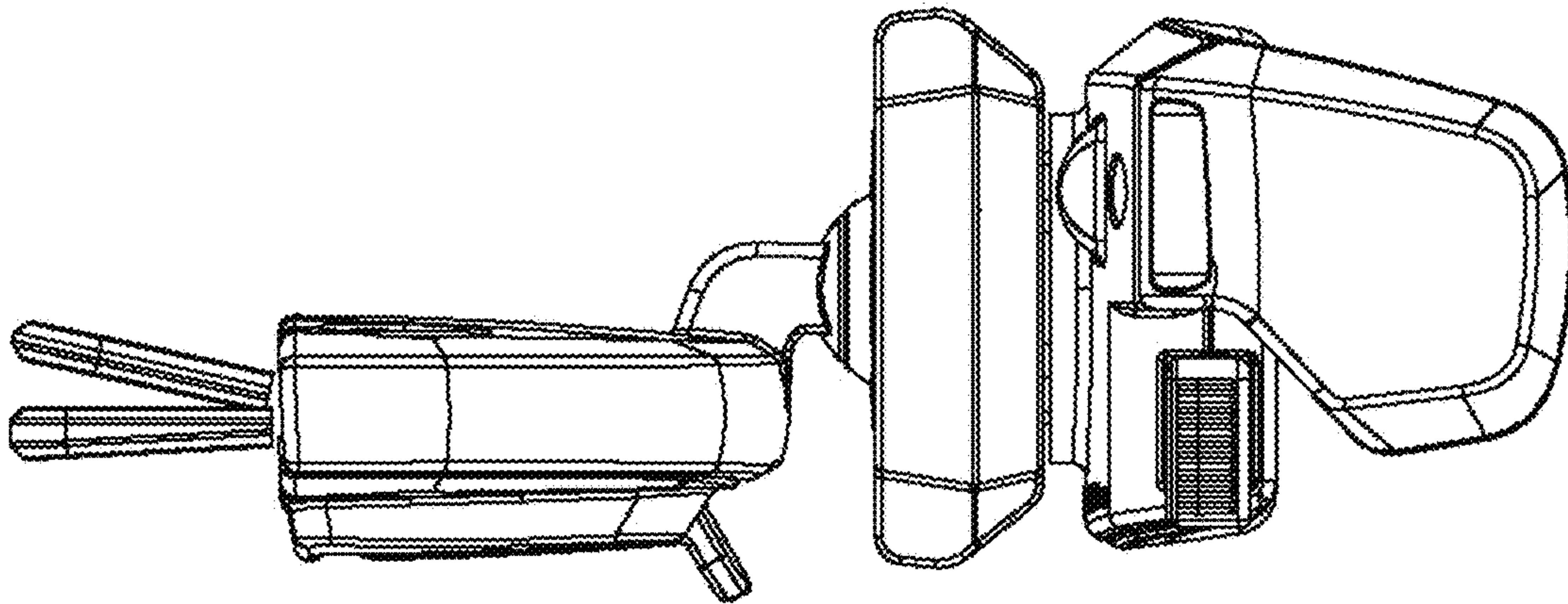


FIGURE 12

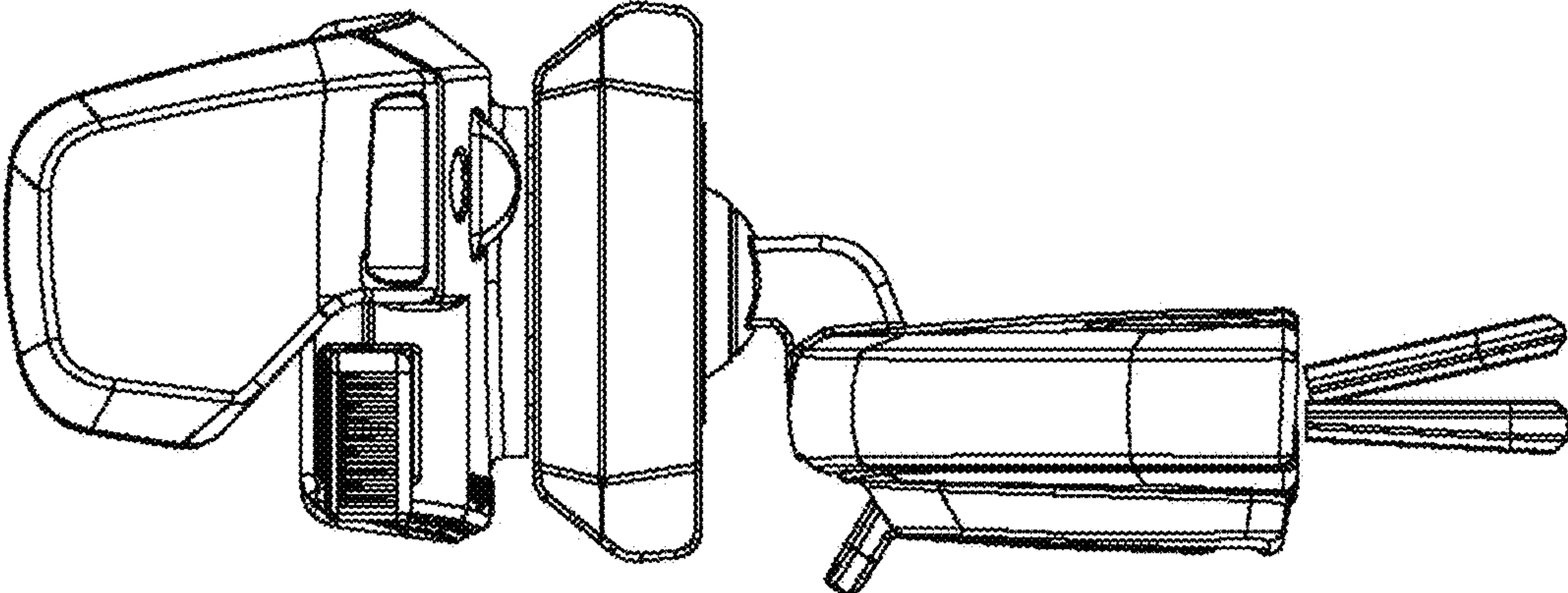


FIGURE 13

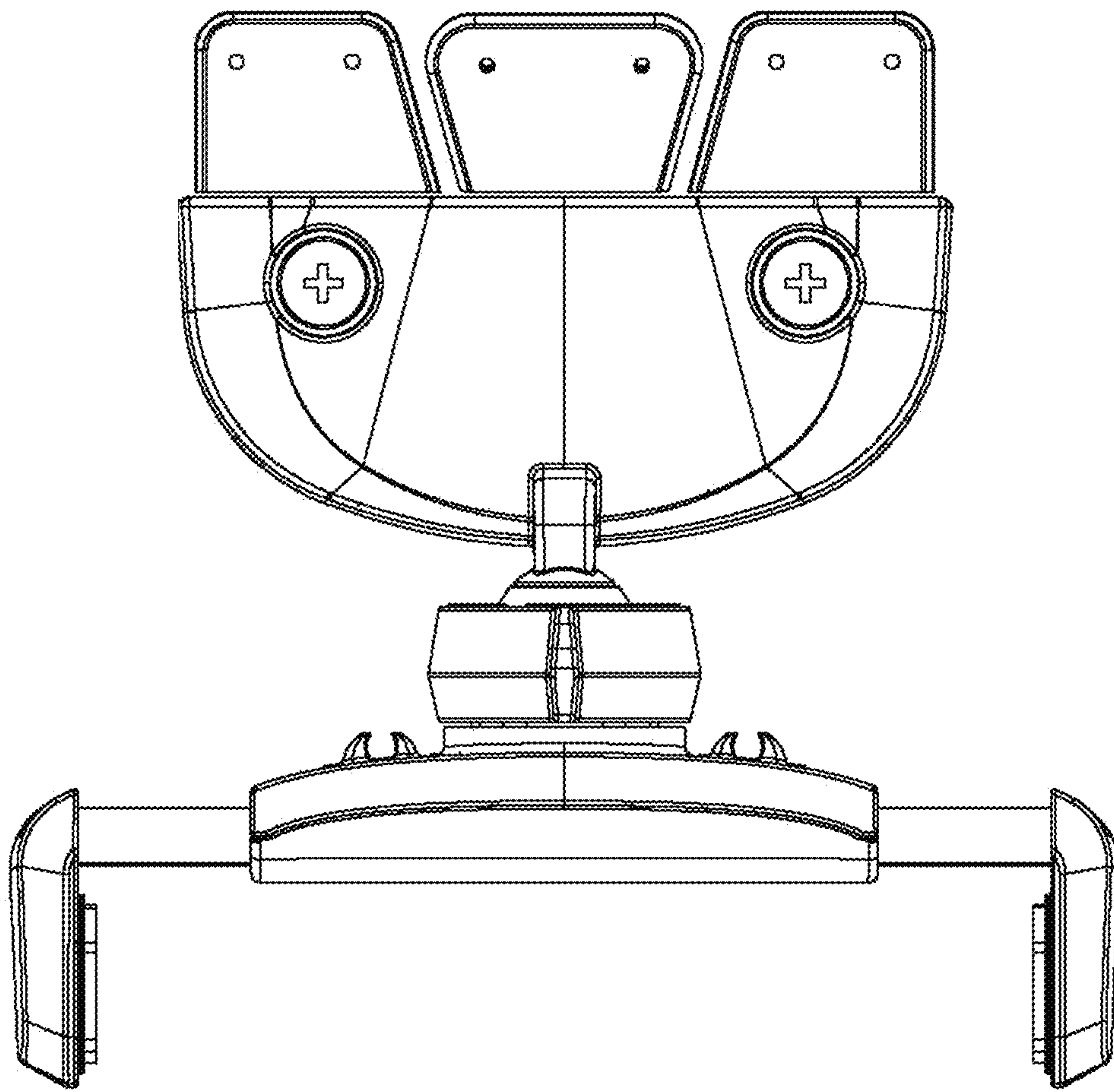


FIGURE 14

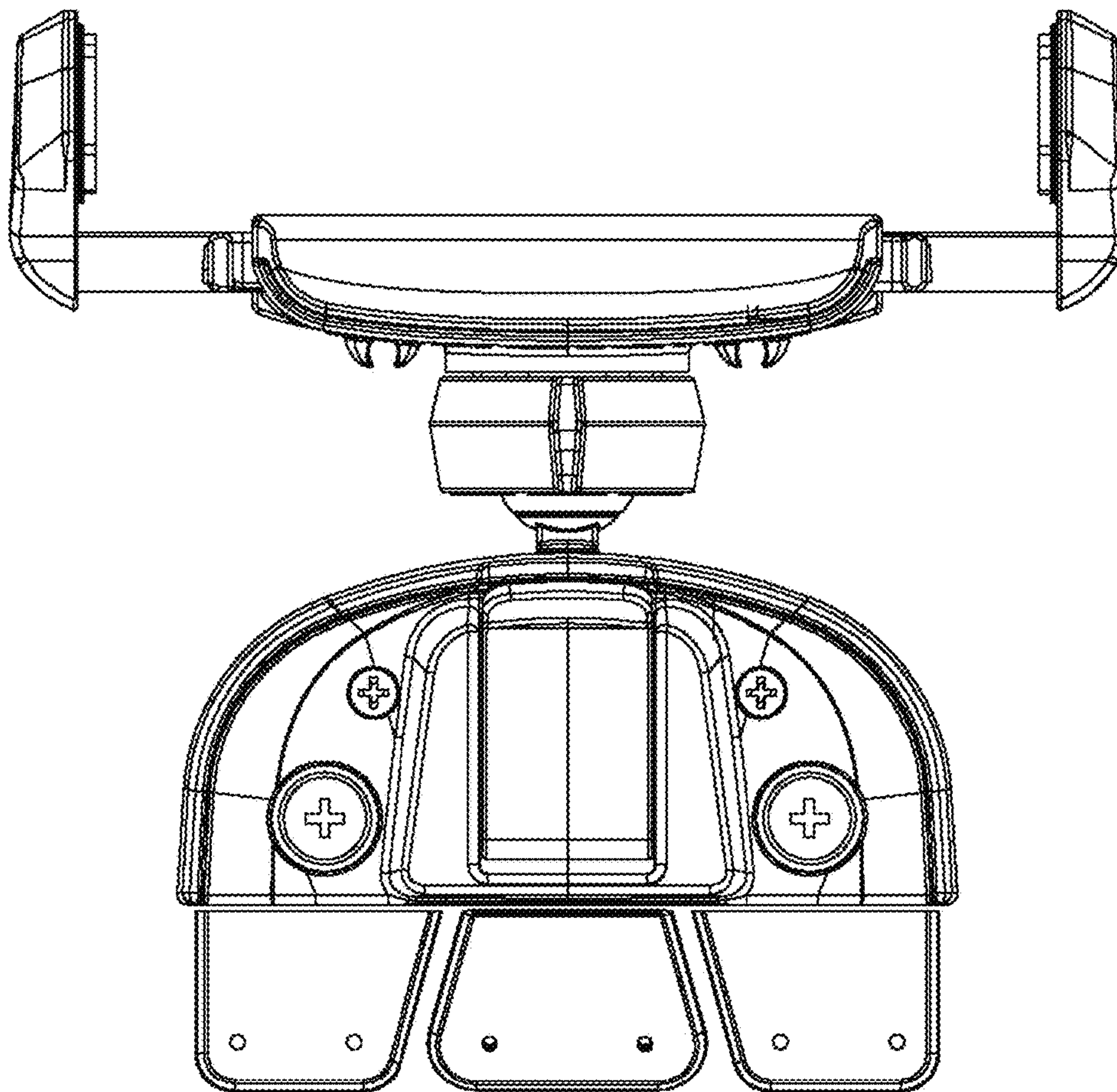


FIGURE 15

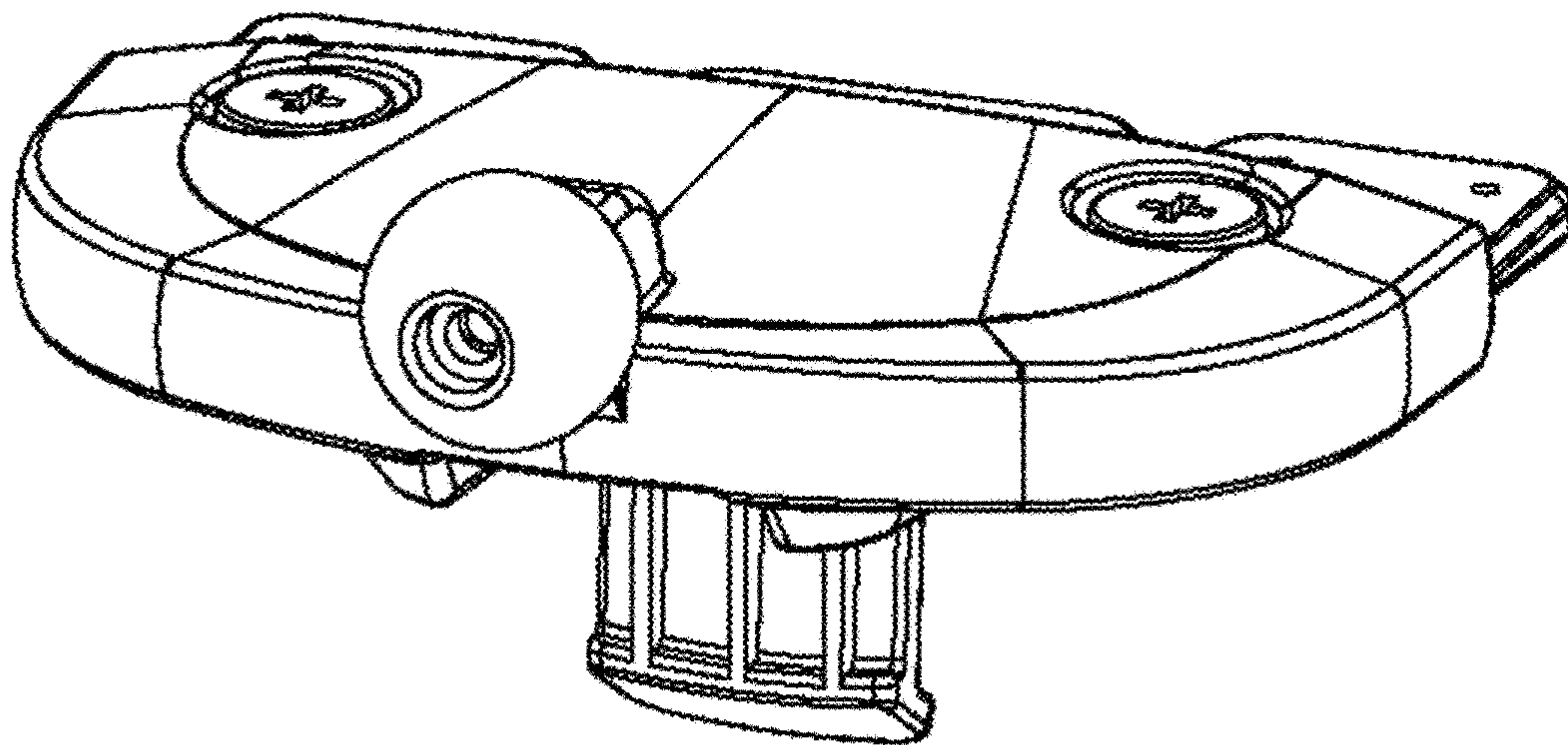


FIGURE 16

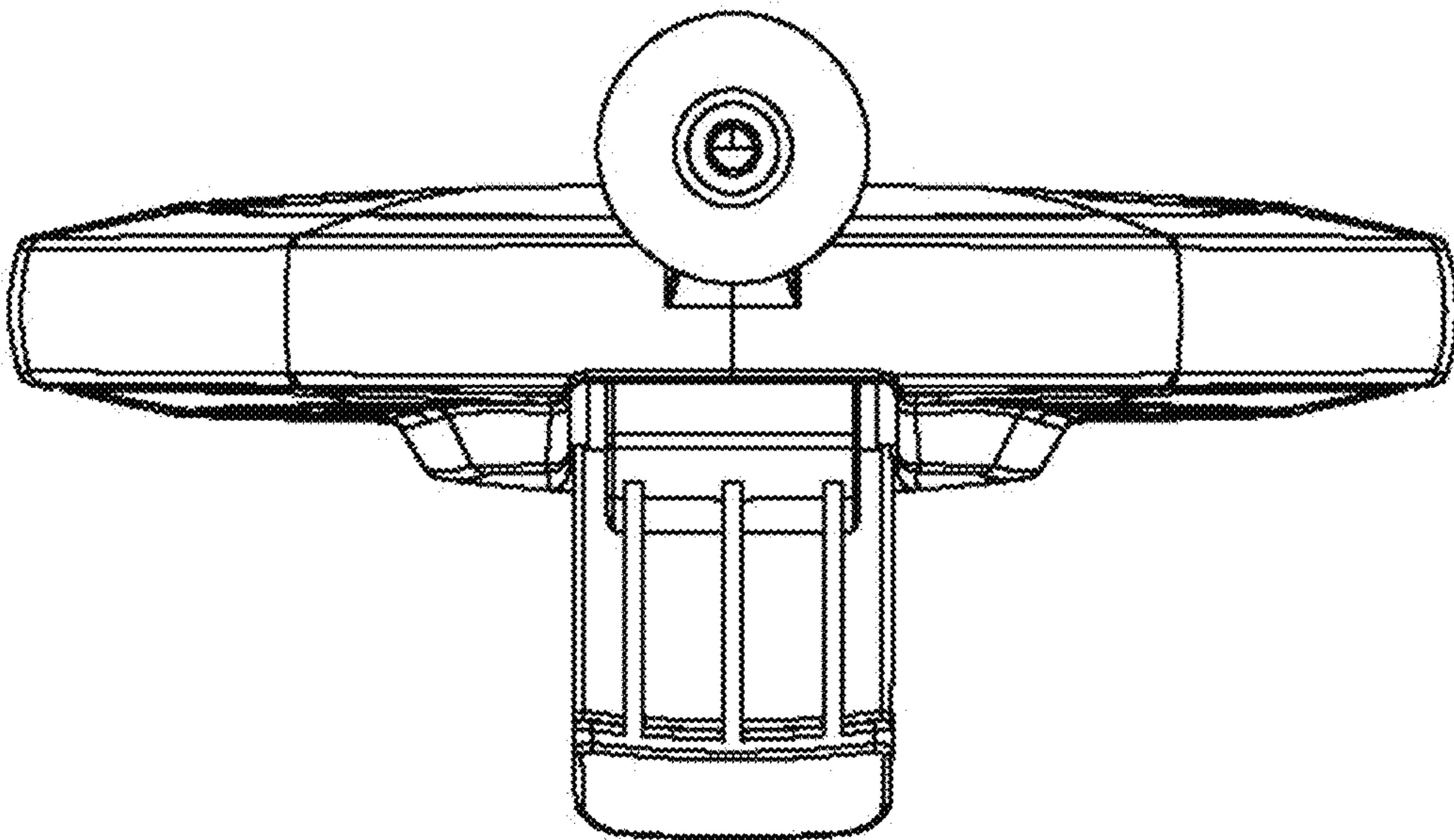


FIGURE 17

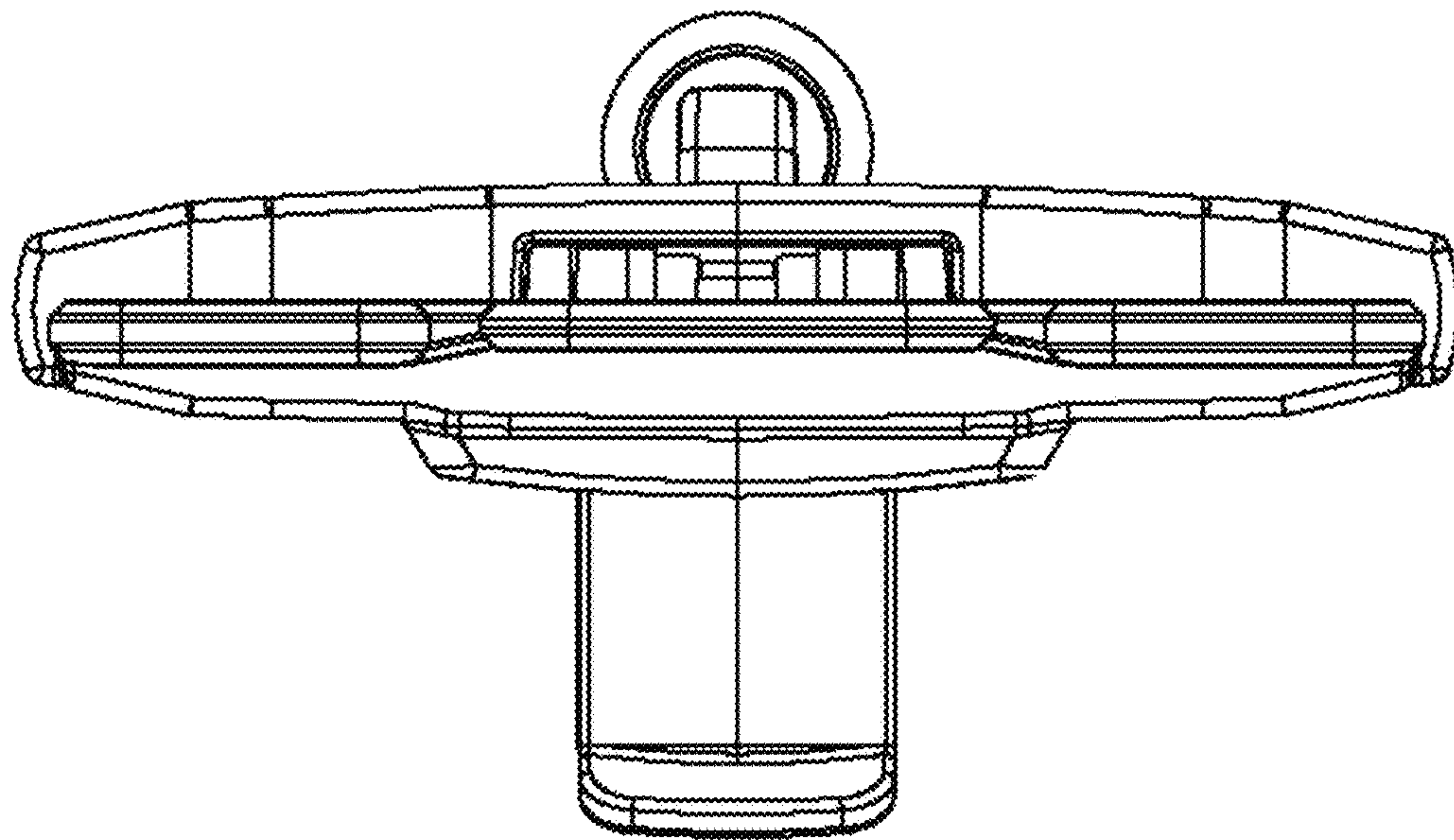


FIGURE 18

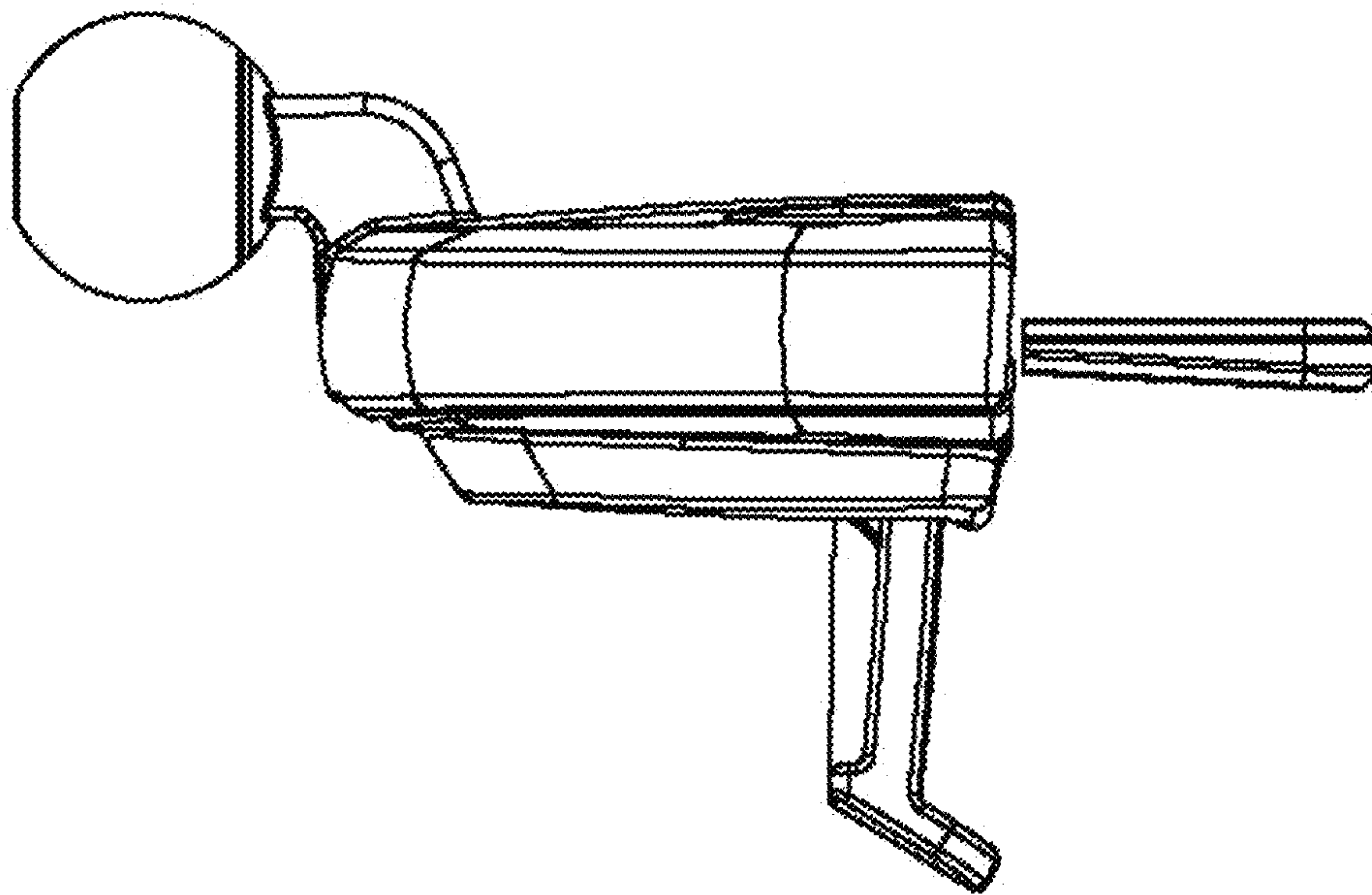


FIGURE 19

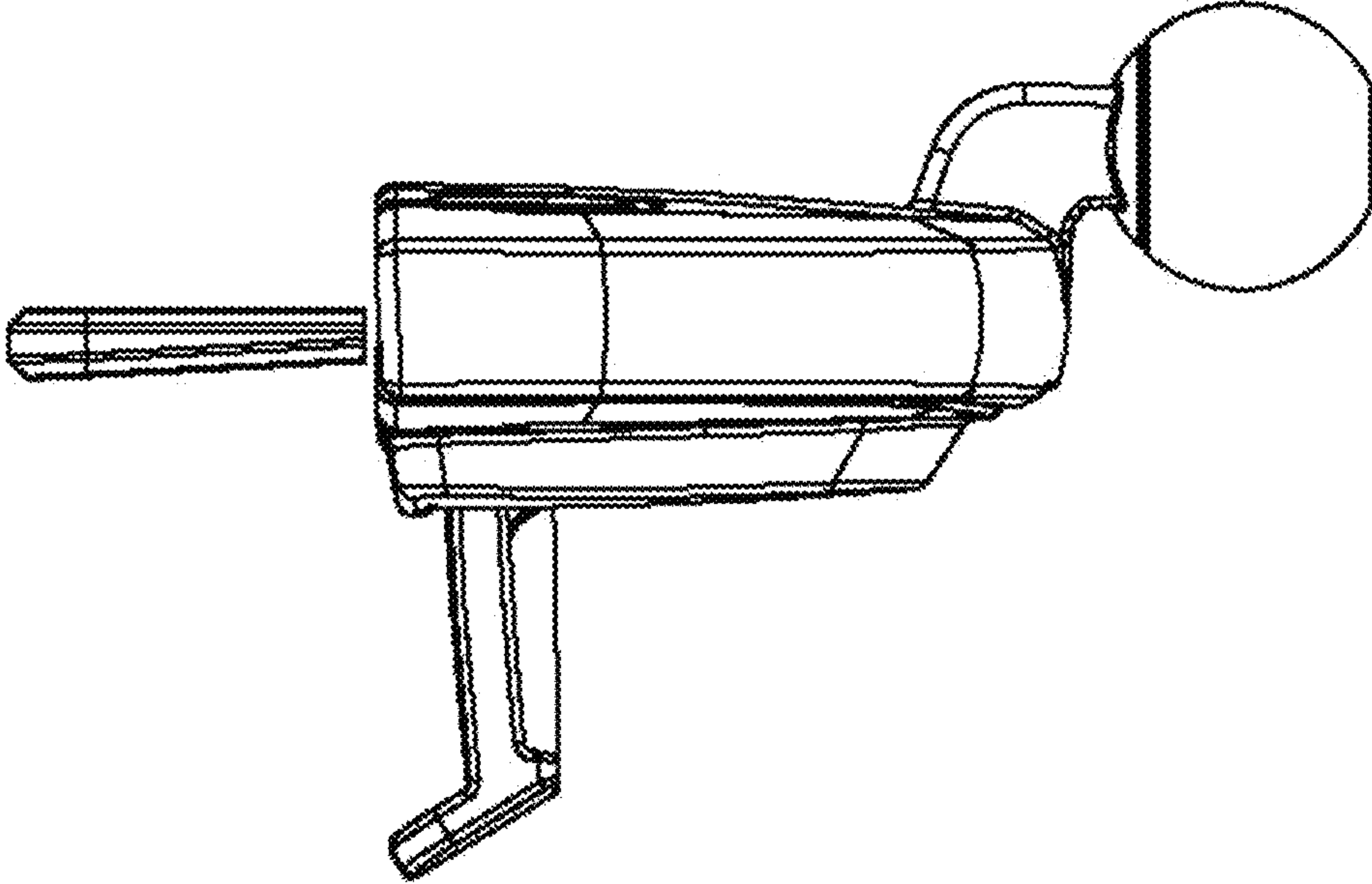


FIGURE 20

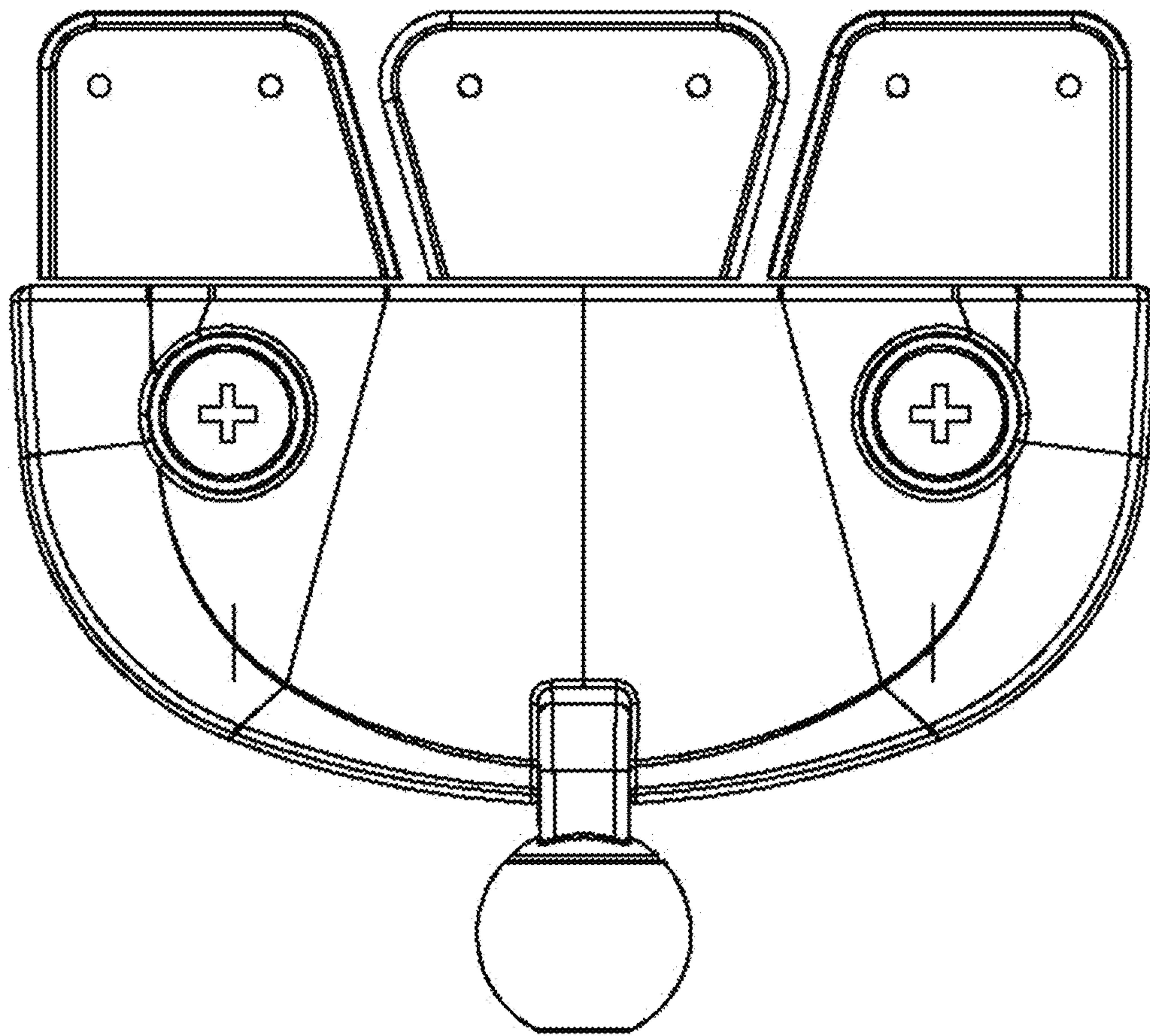


FIGURE 21

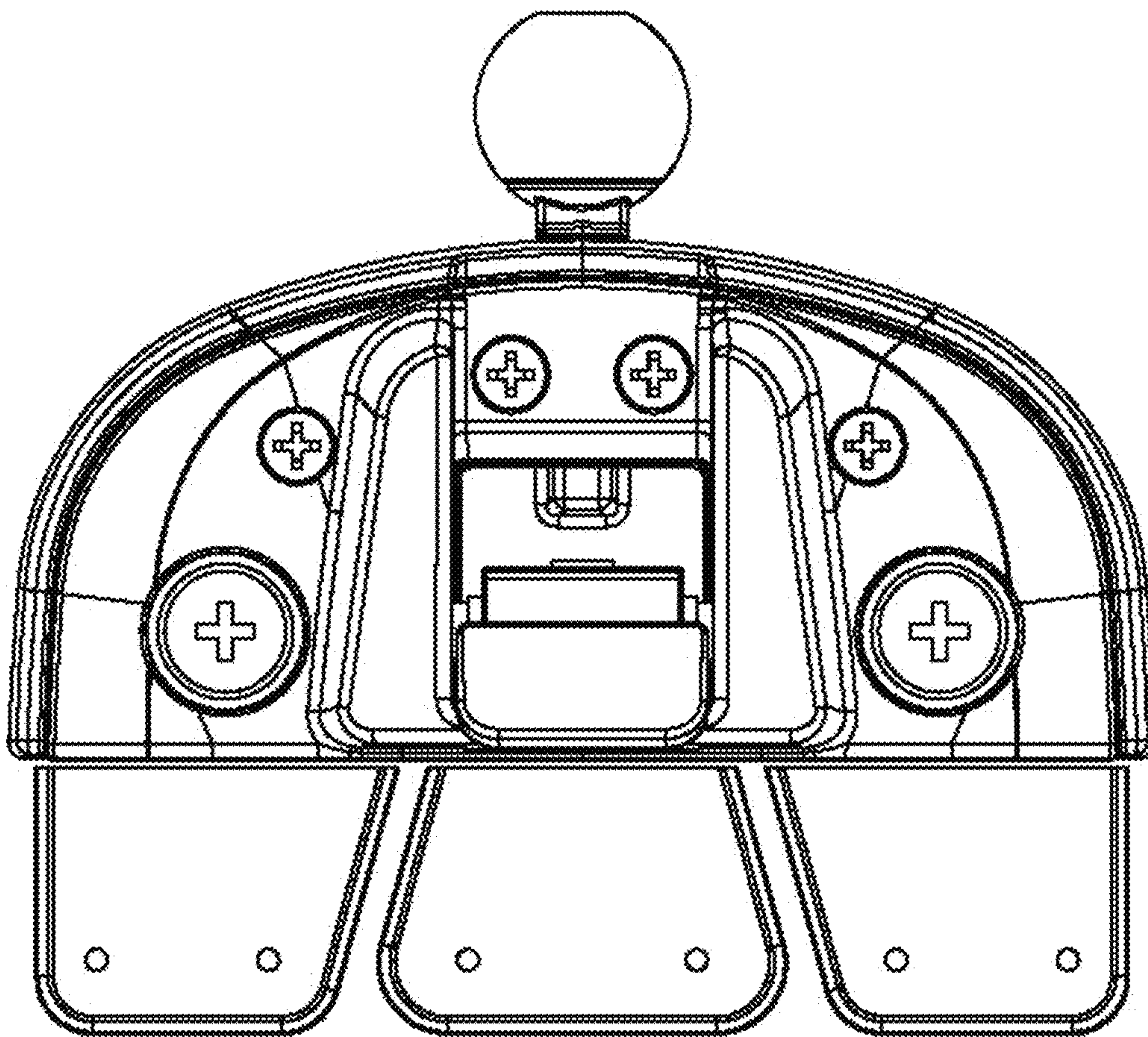


FIGURE 22

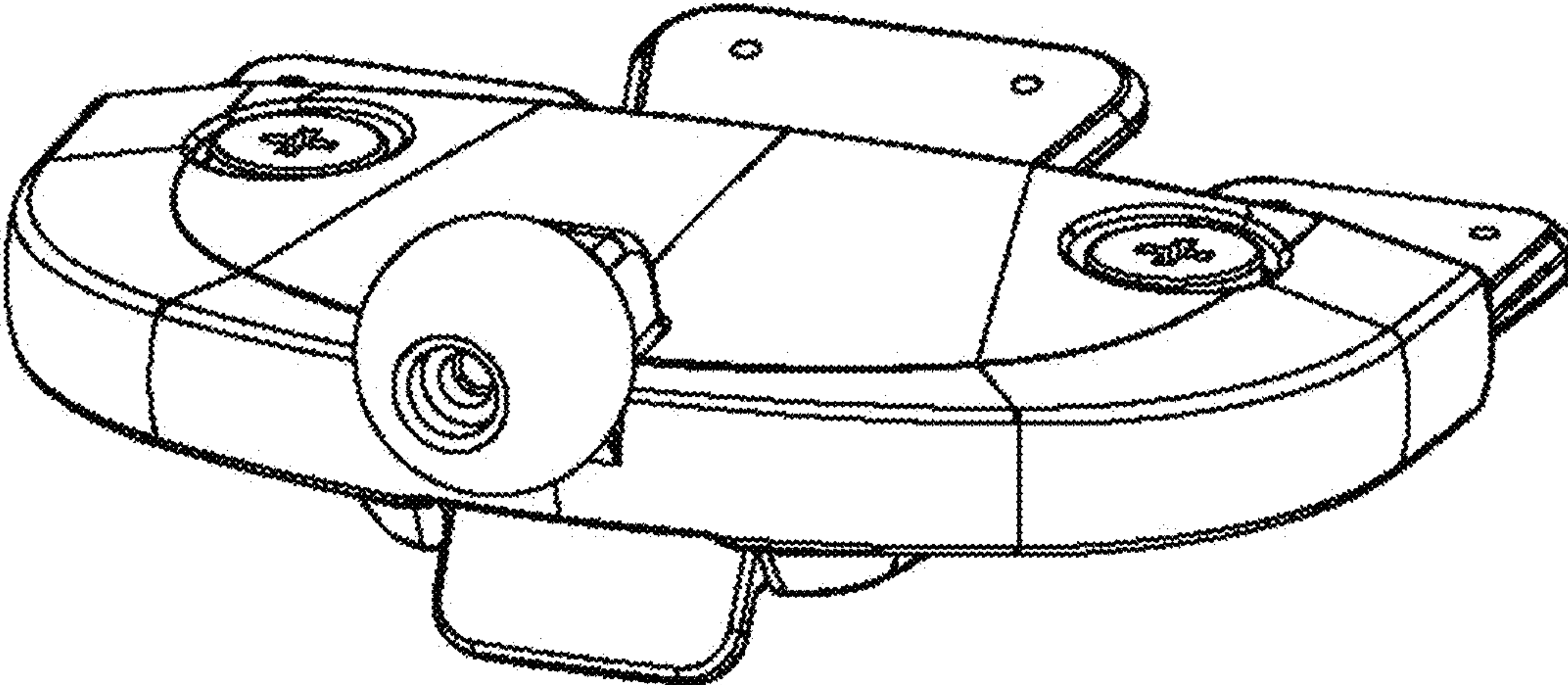


FIGURE 23

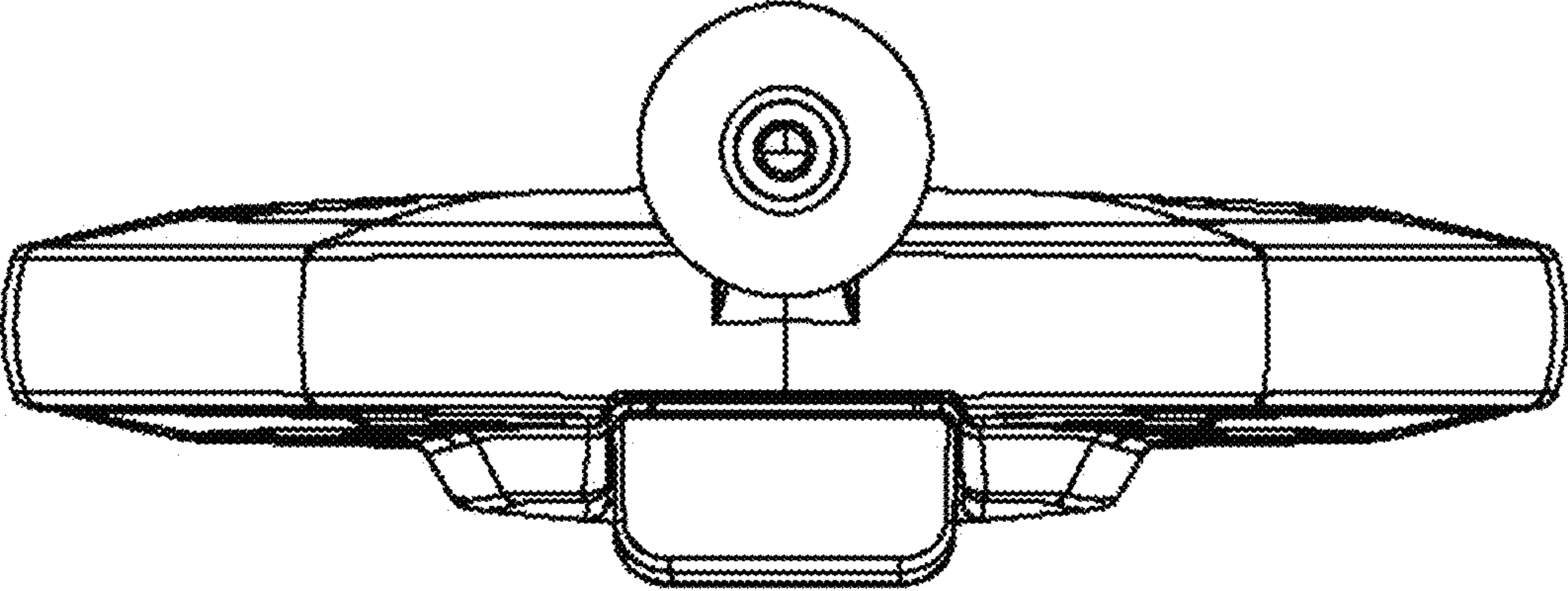


FIGURE 24

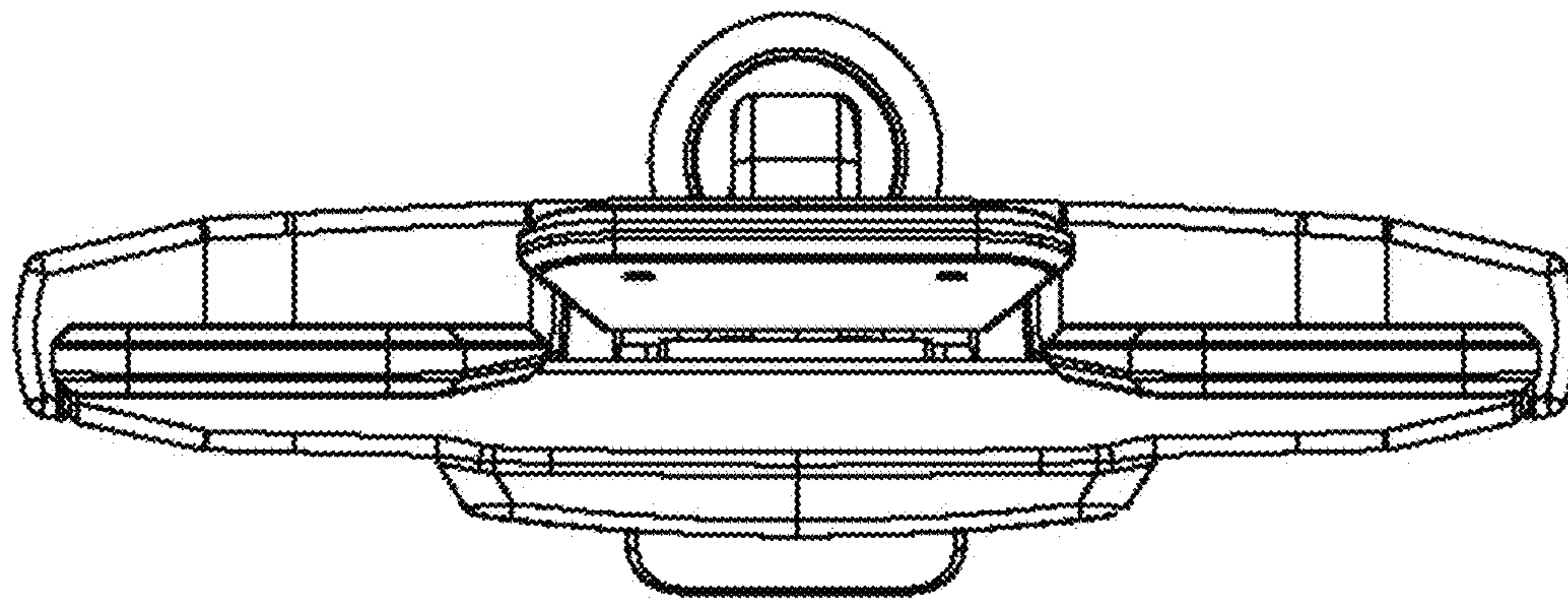


FIGURE 25

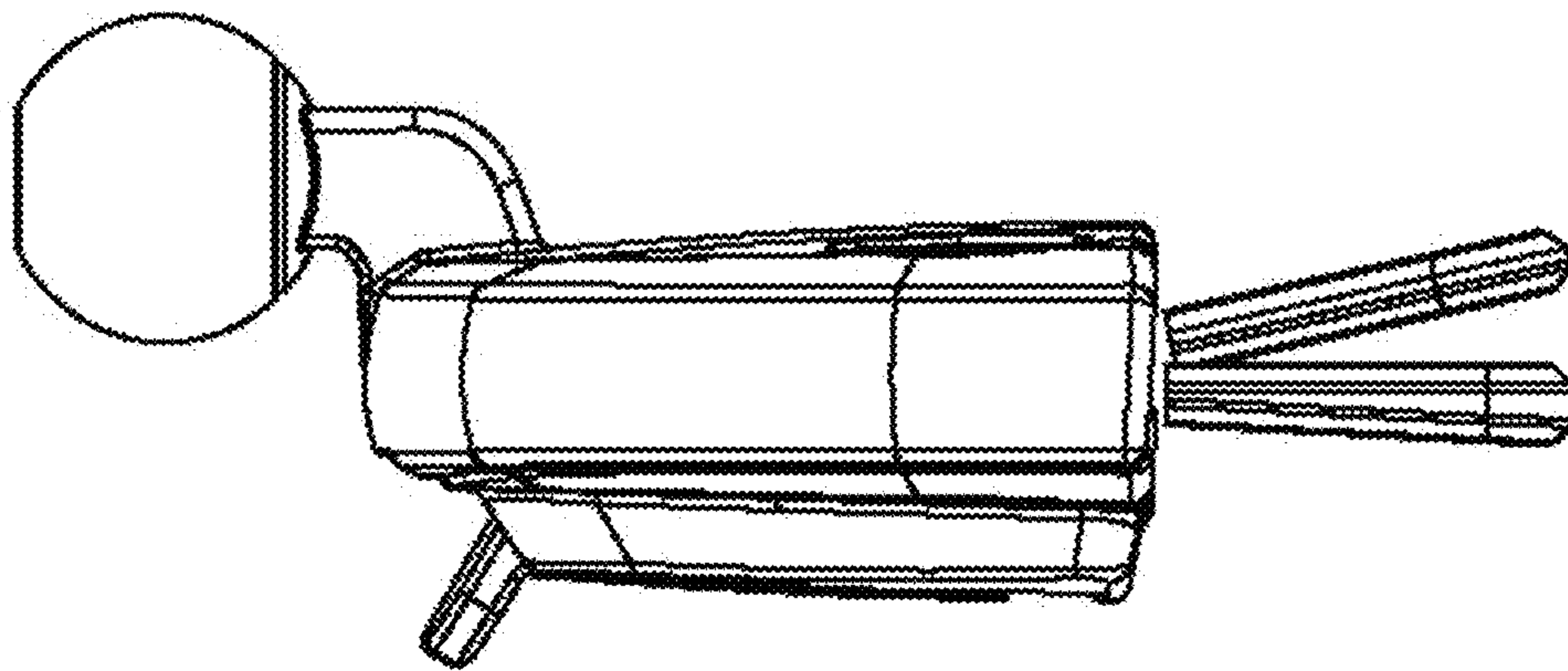


FIGURE 26

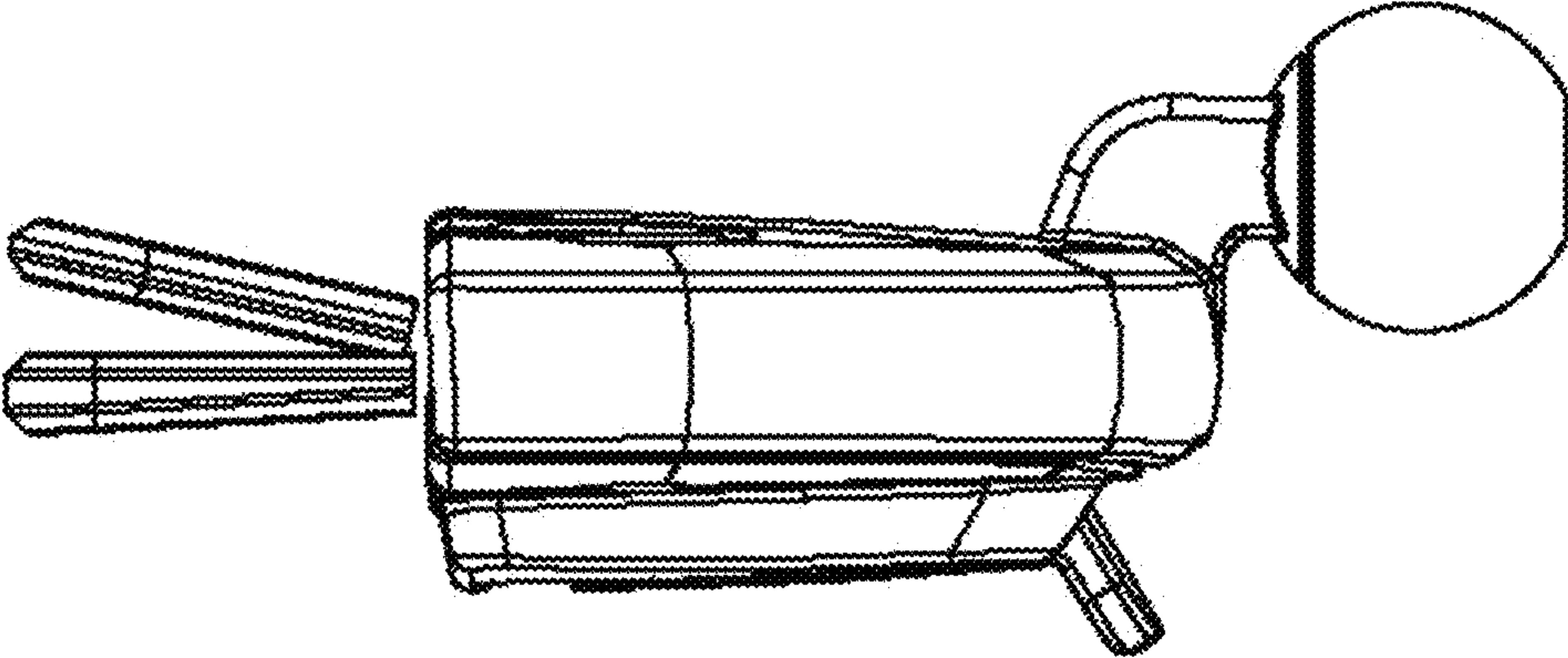


FIGURE 27

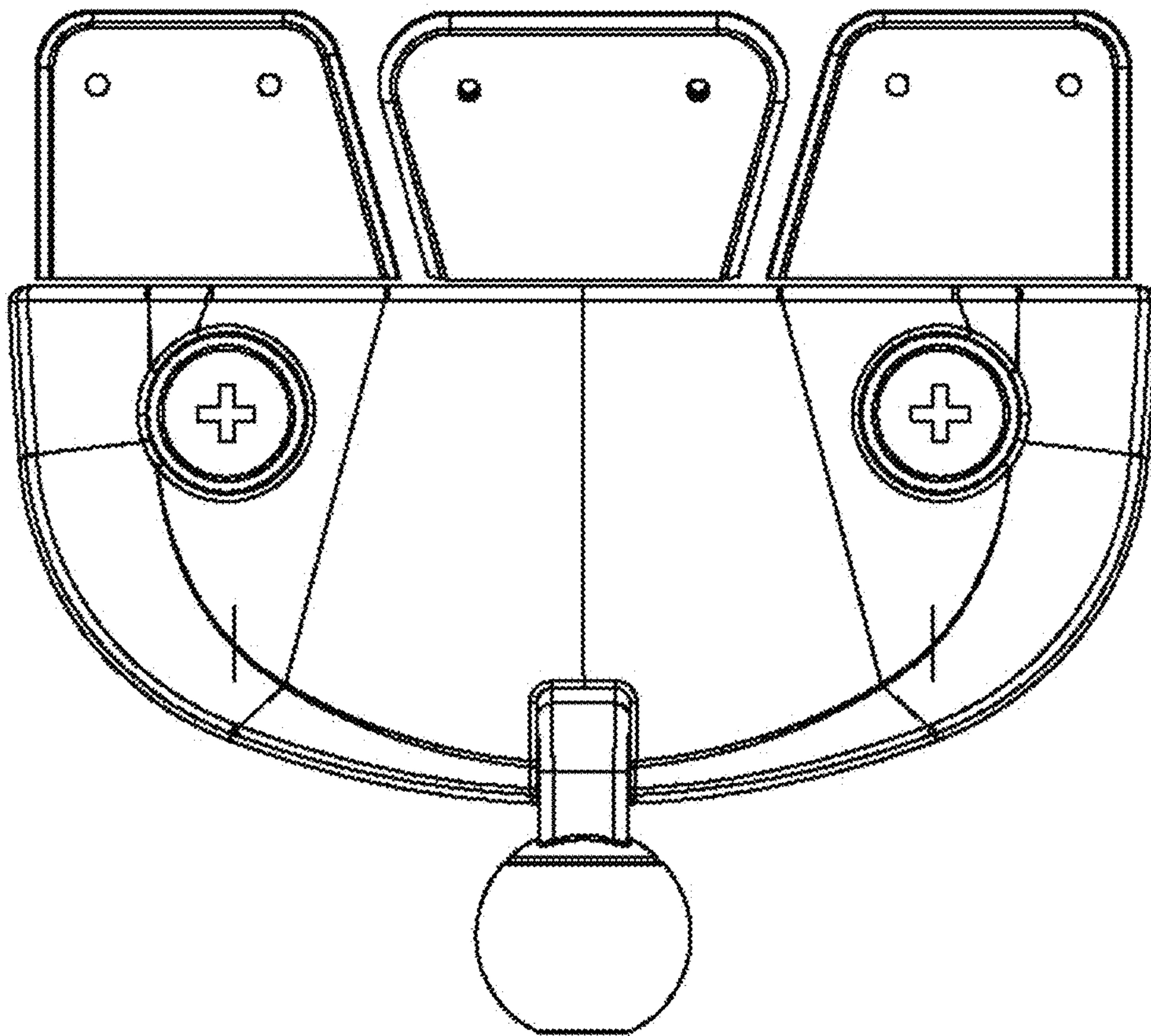


FIGURE 28

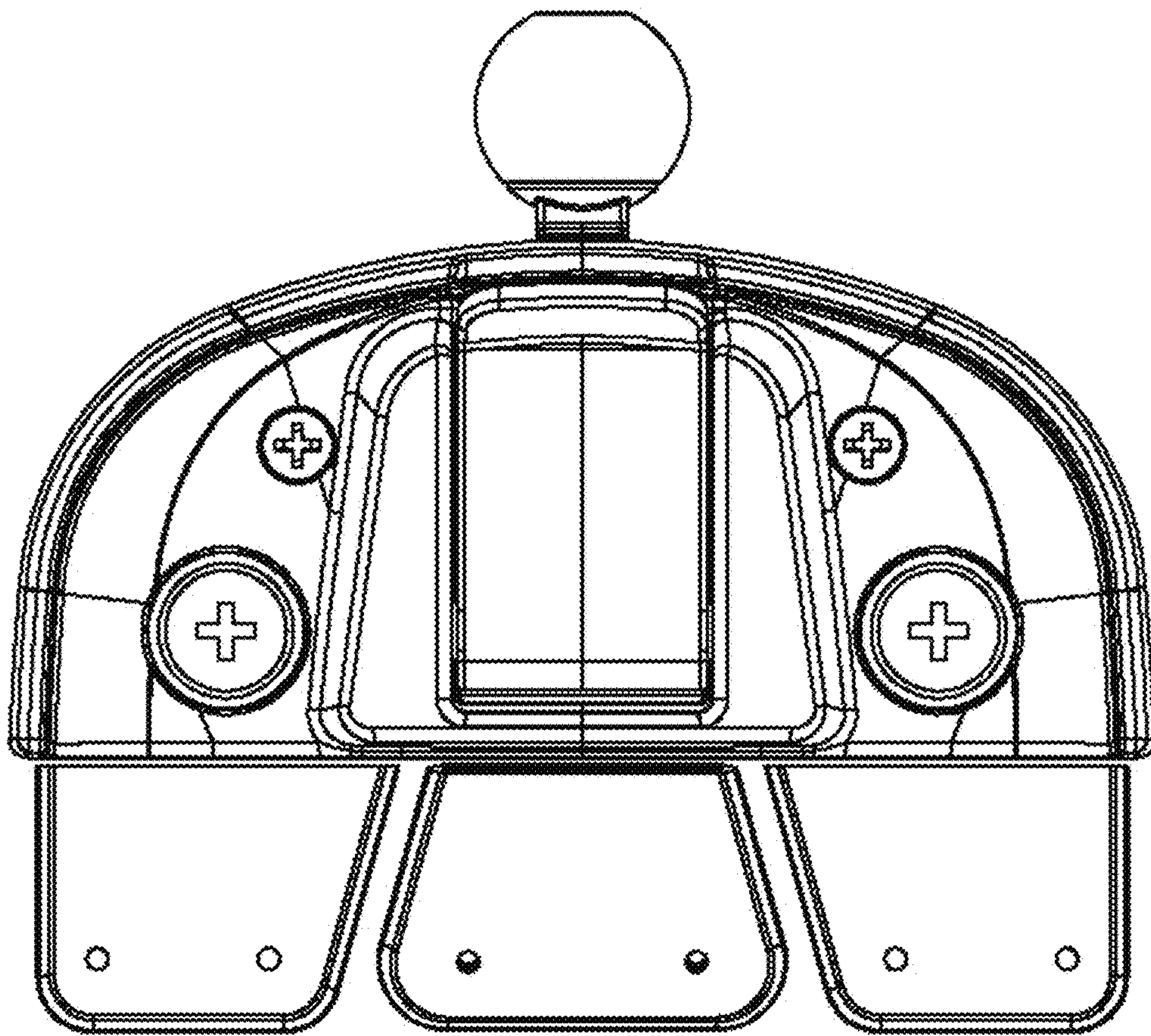


FIGURE 29

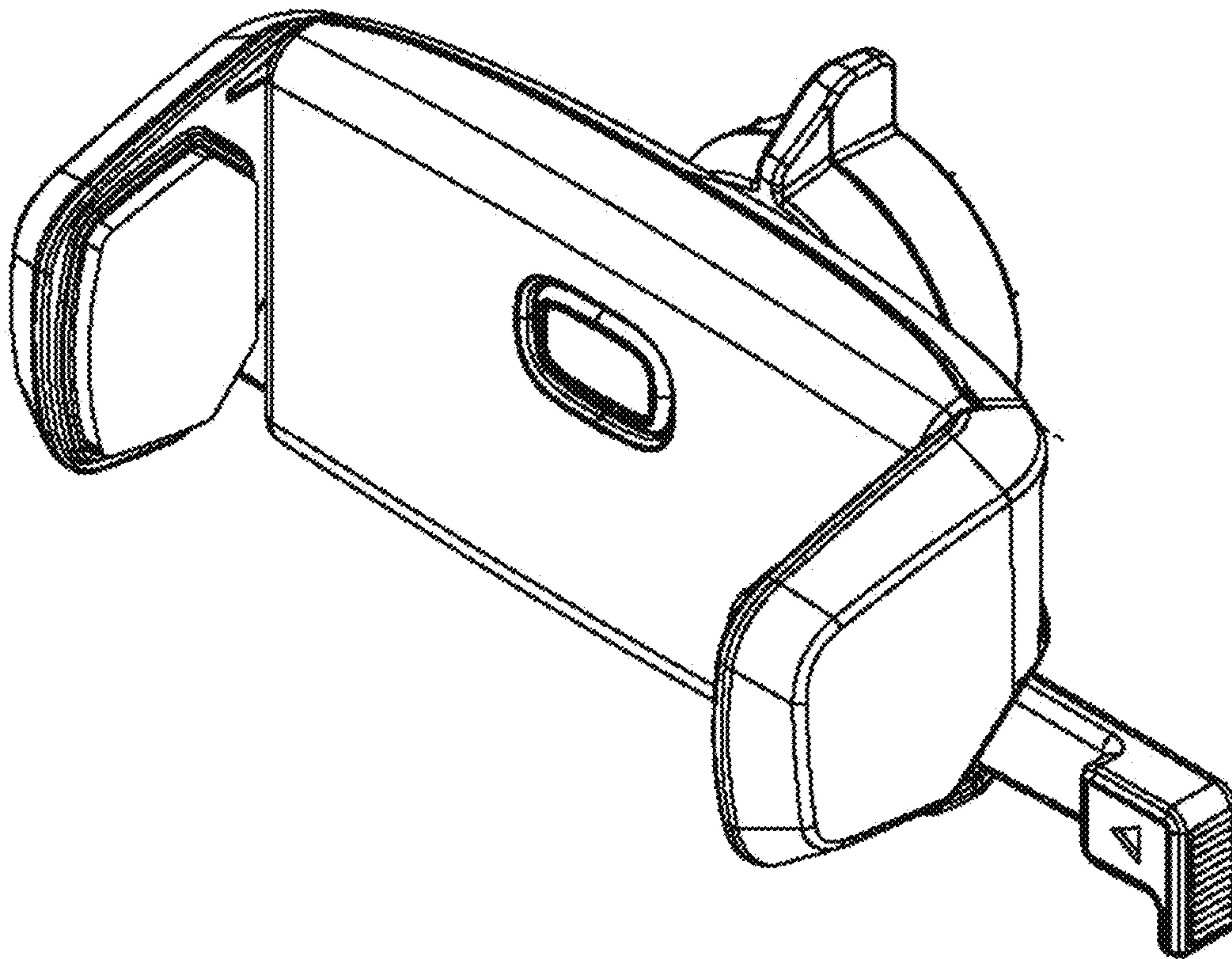


FIGURE 30

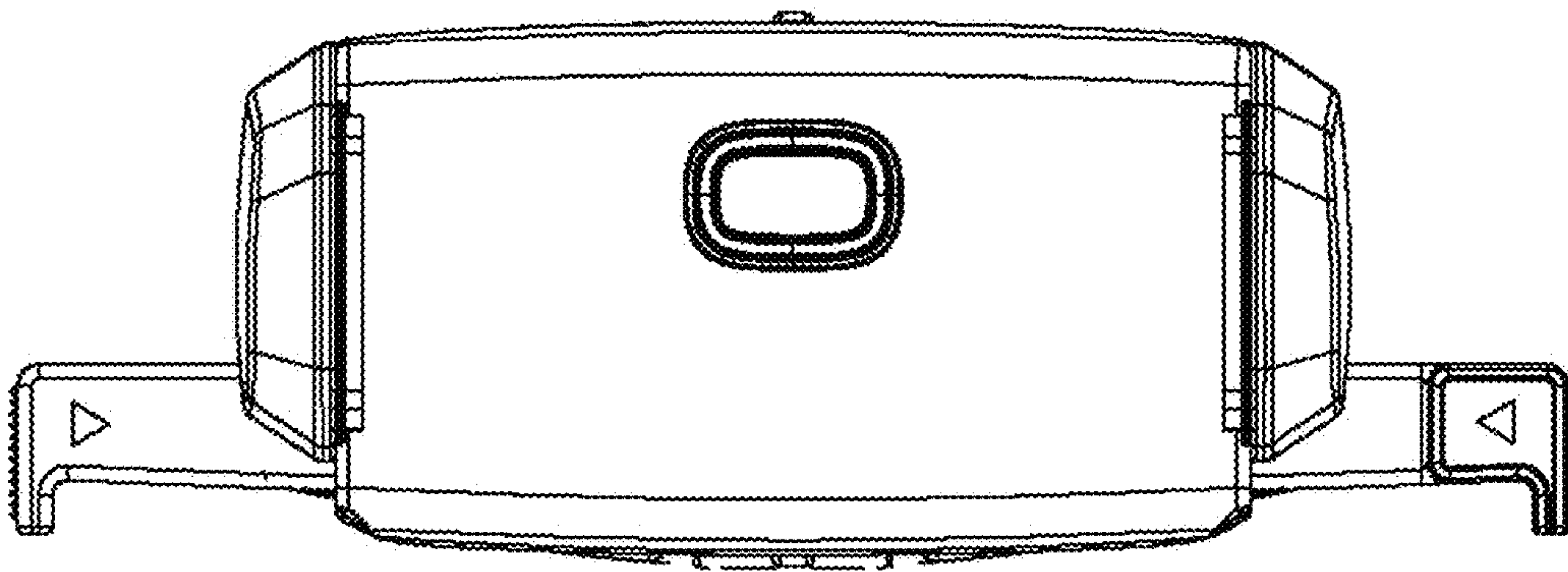


FIGURE 31

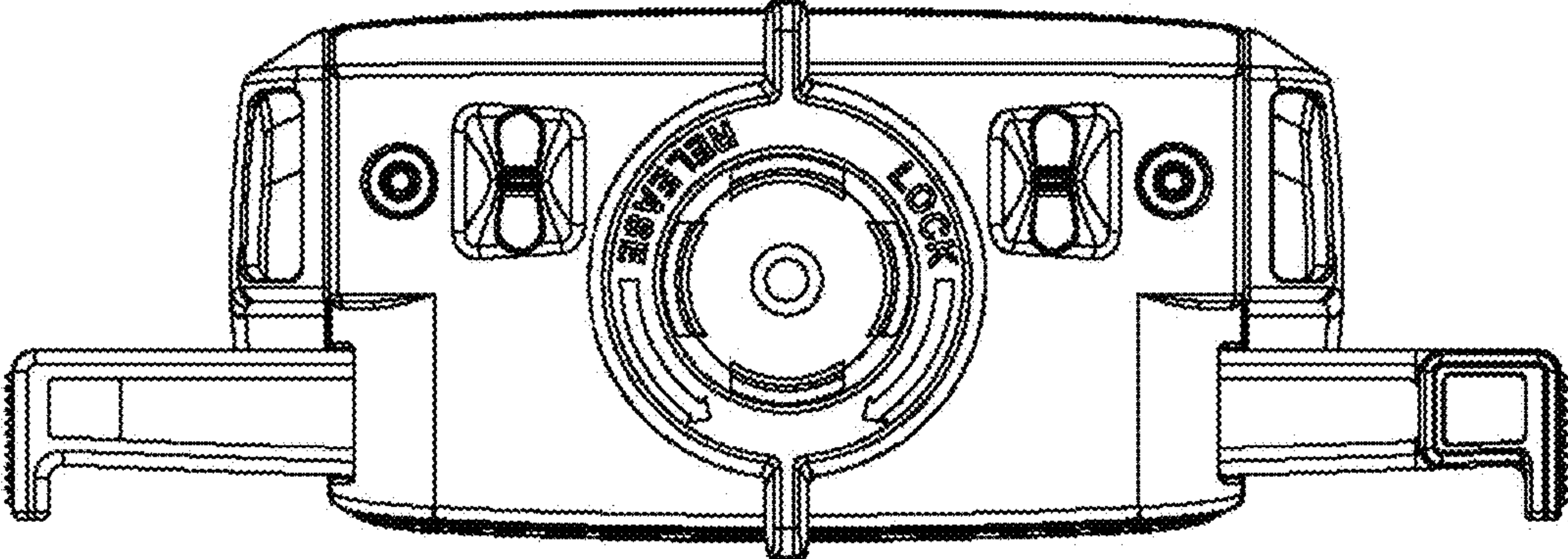


FIGURE 32

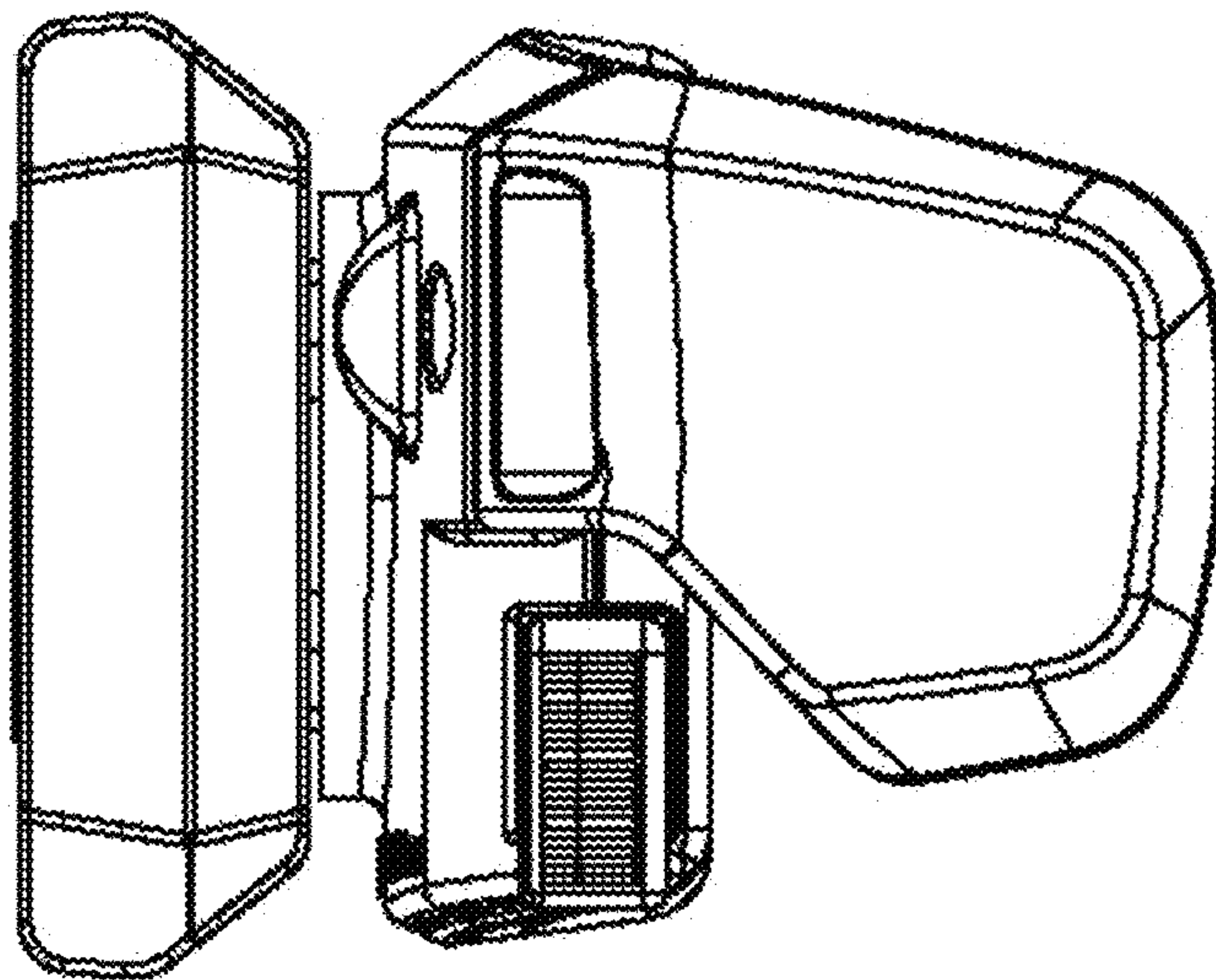


FIGURE 33

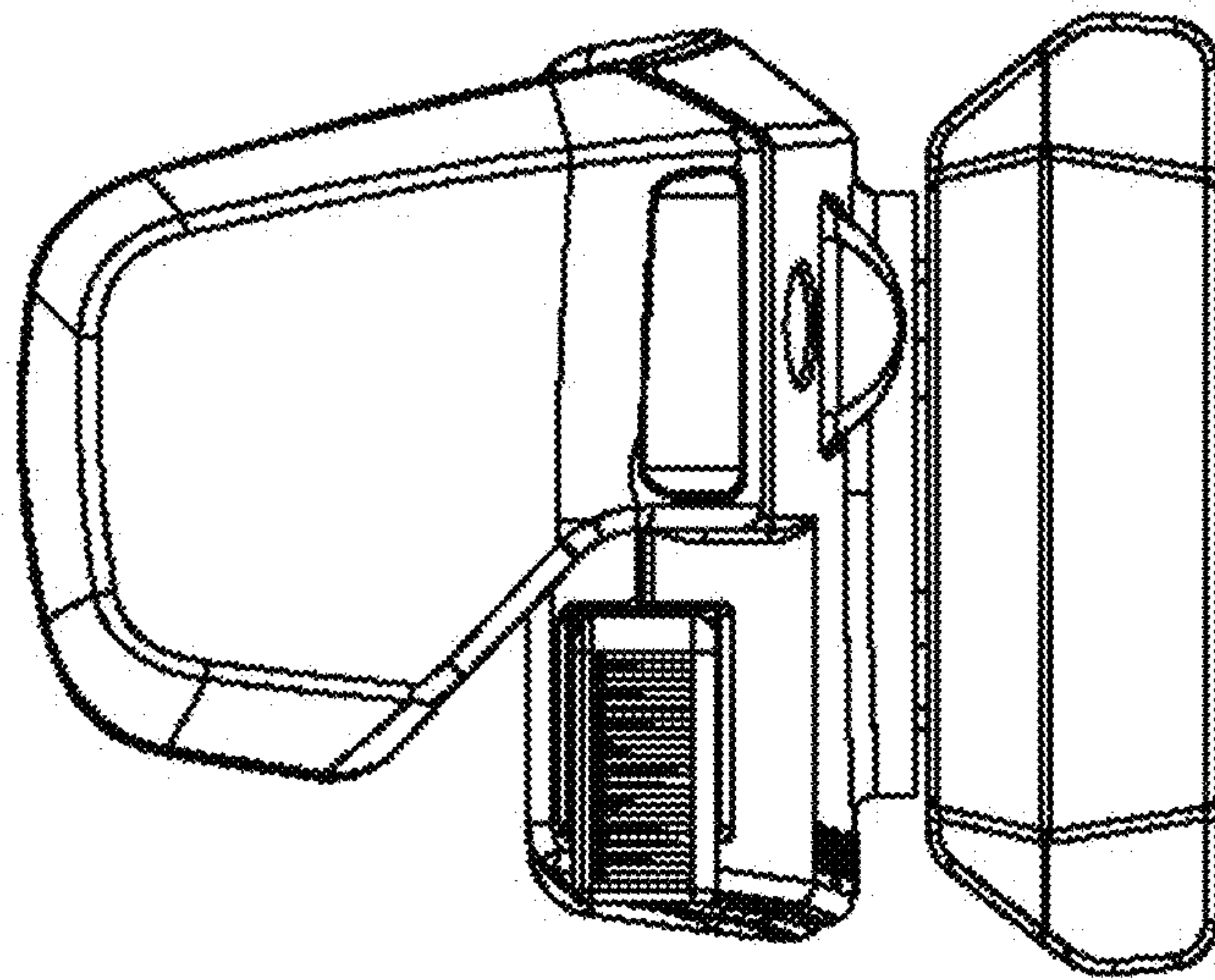


FIGURE 34

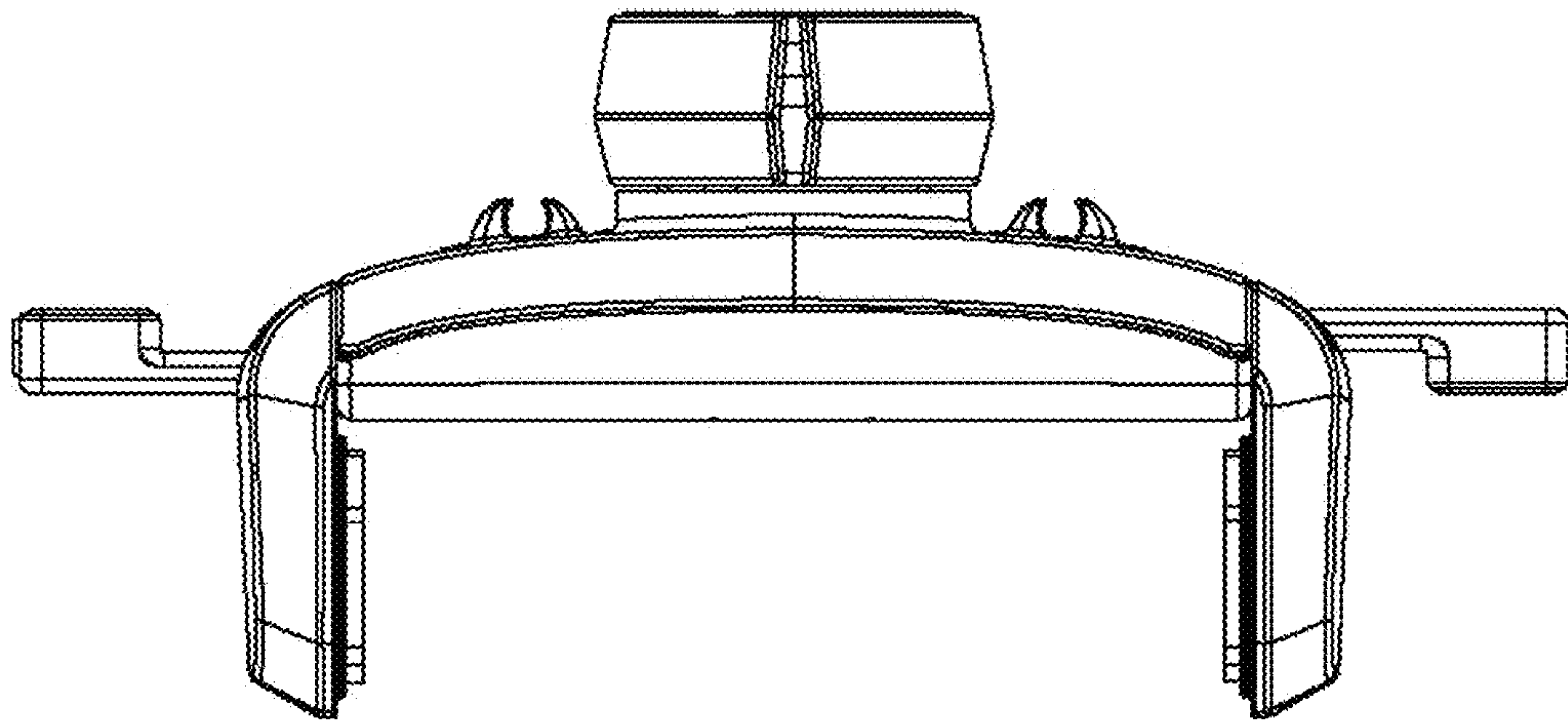


FIGURE 35

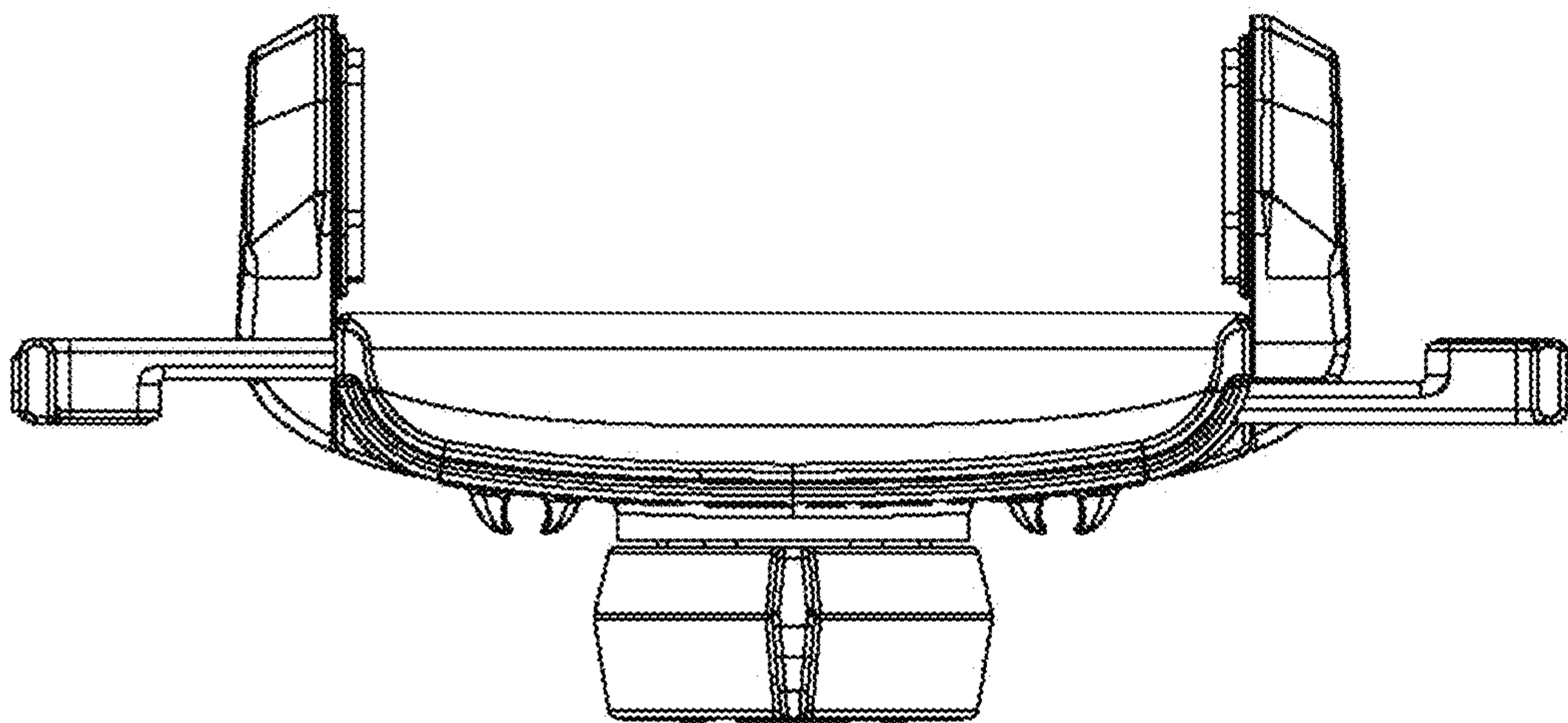


FIGURE 36

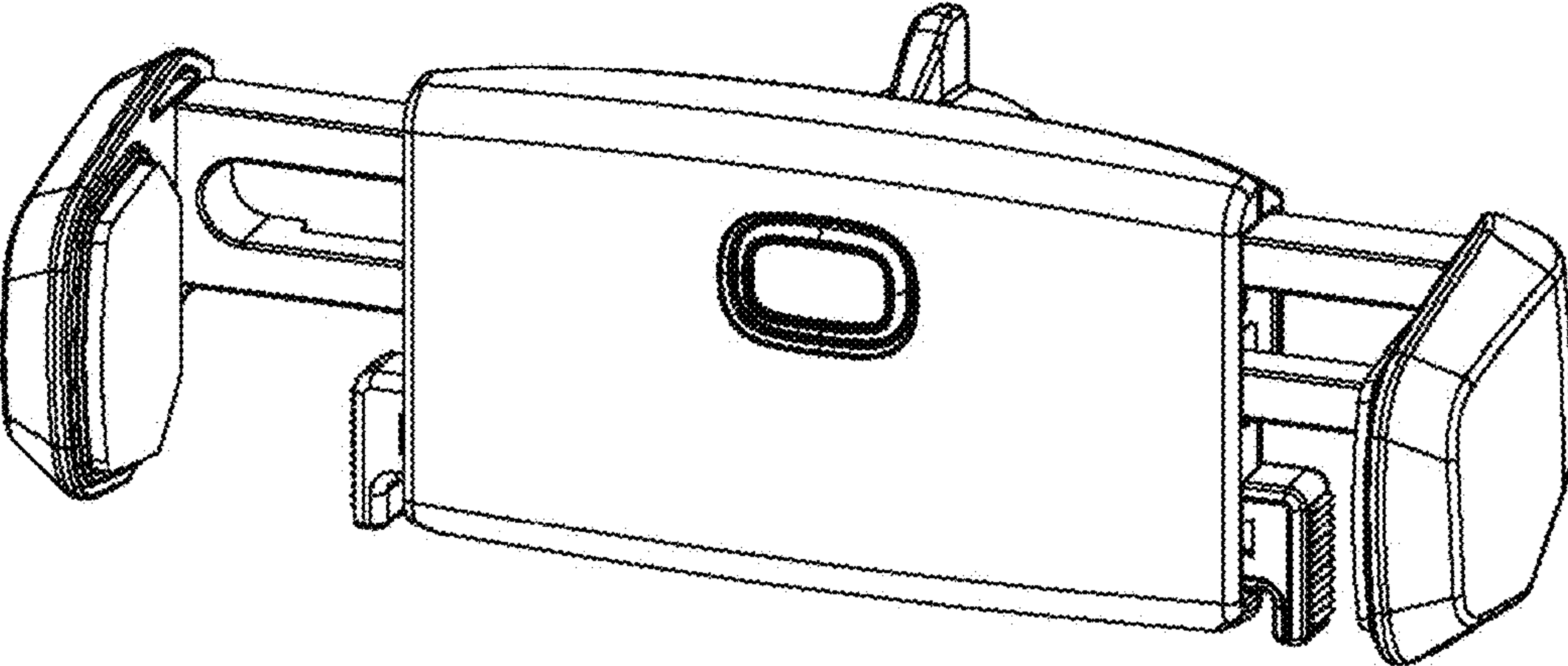


FIGURE 37

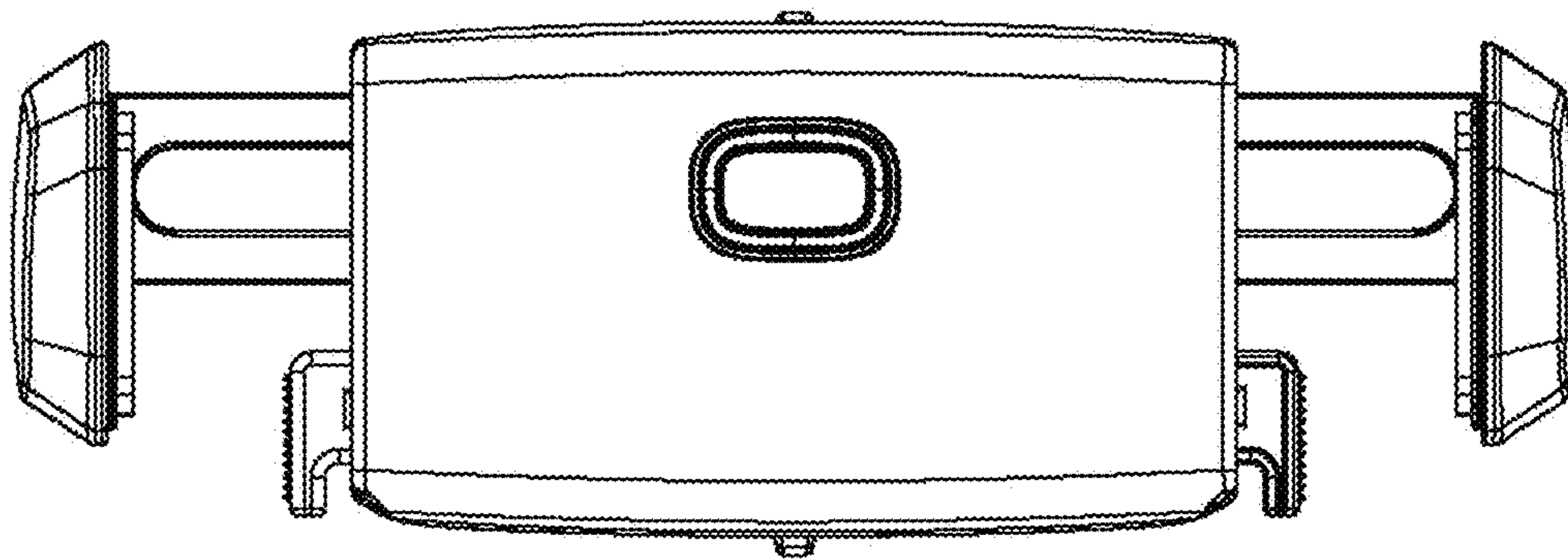


FIGURE 38

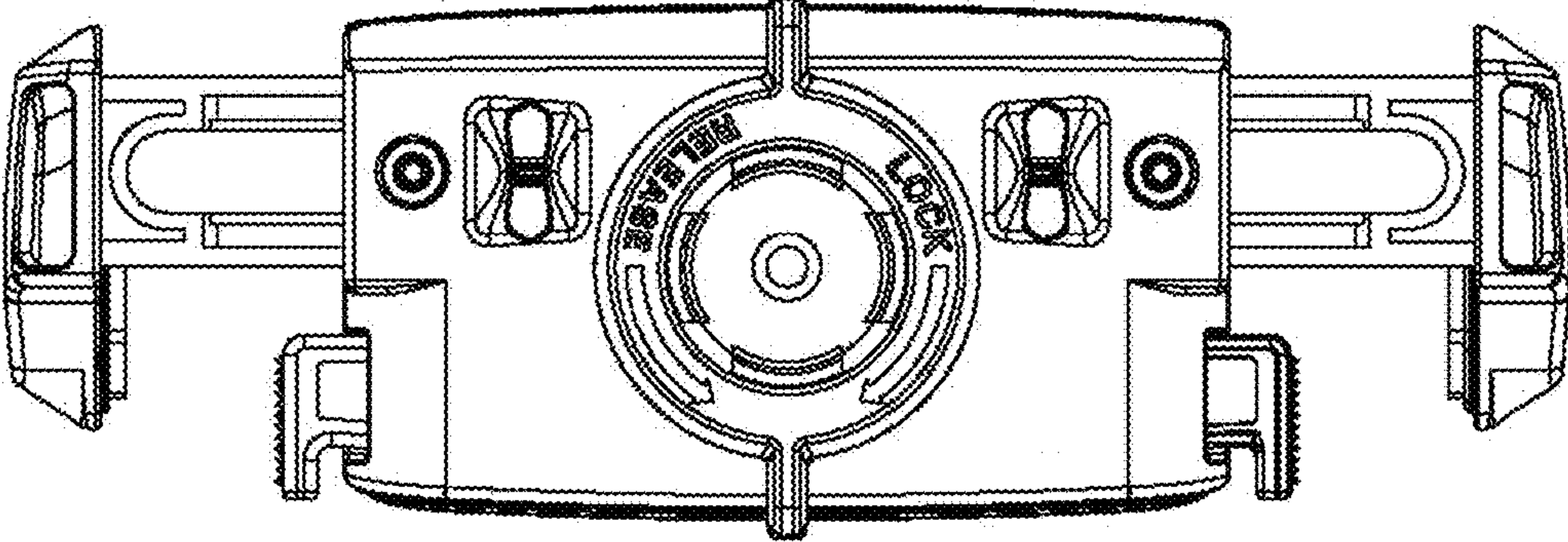


FIGURE 39

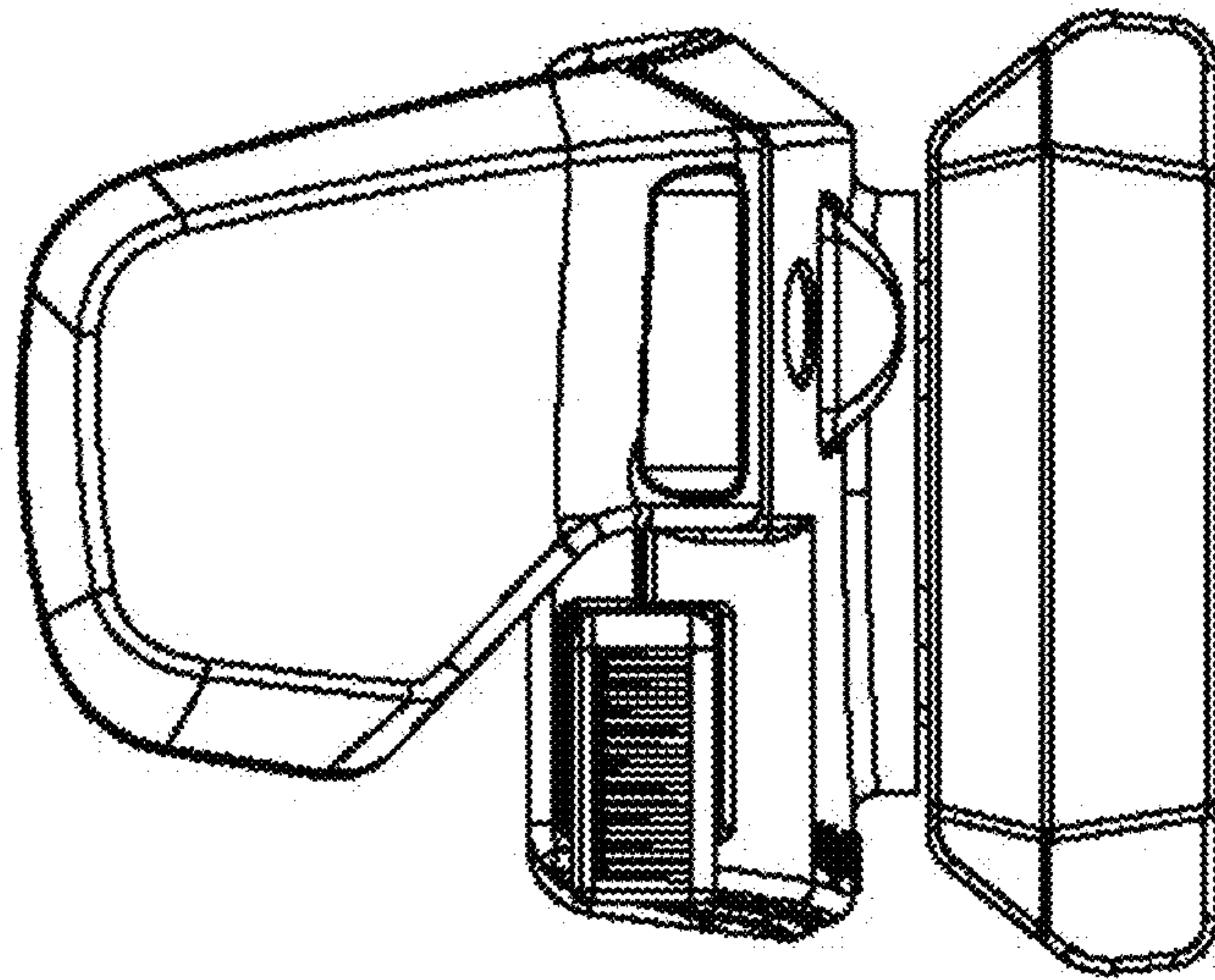


FIGURE 40

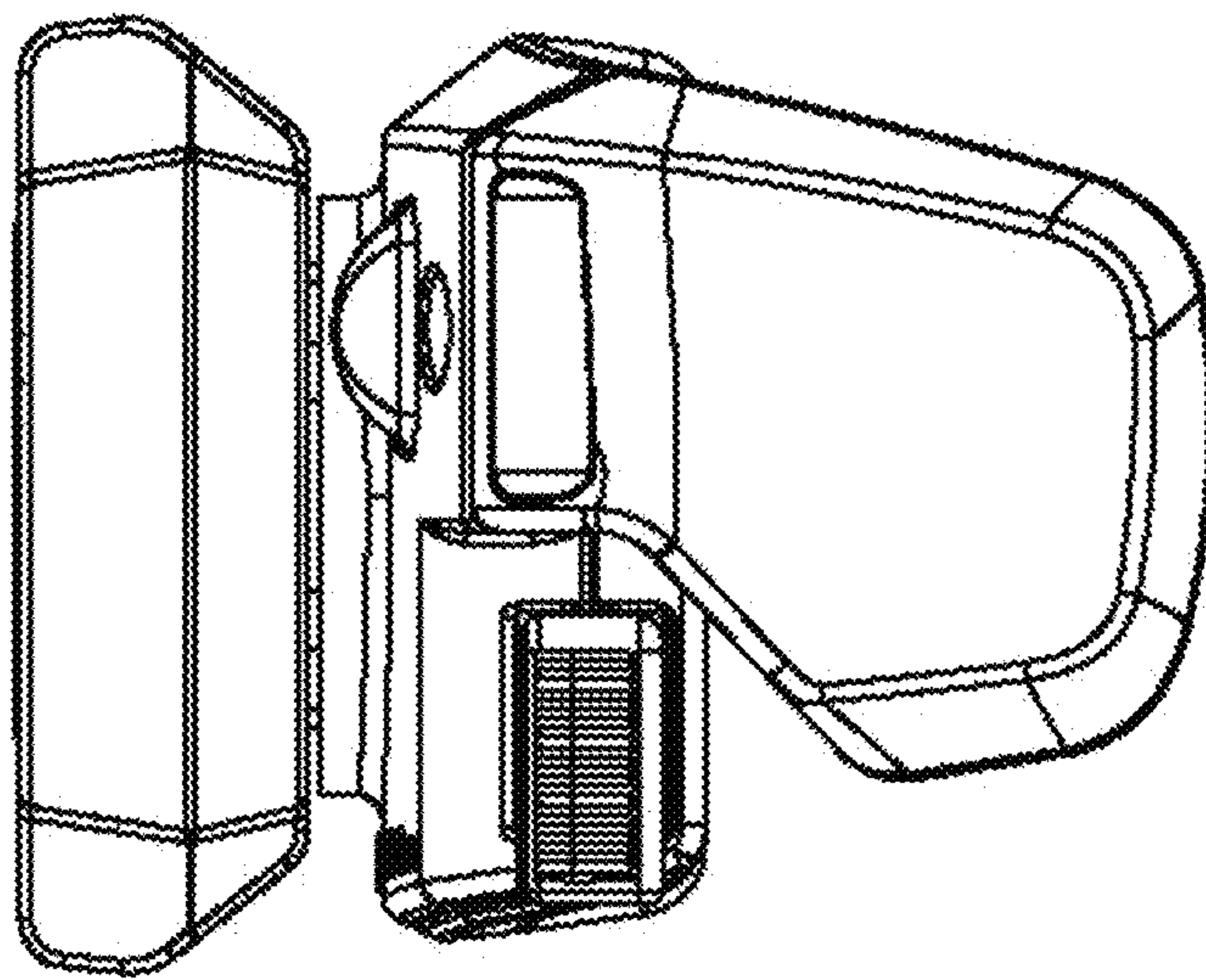


FIGURE 41

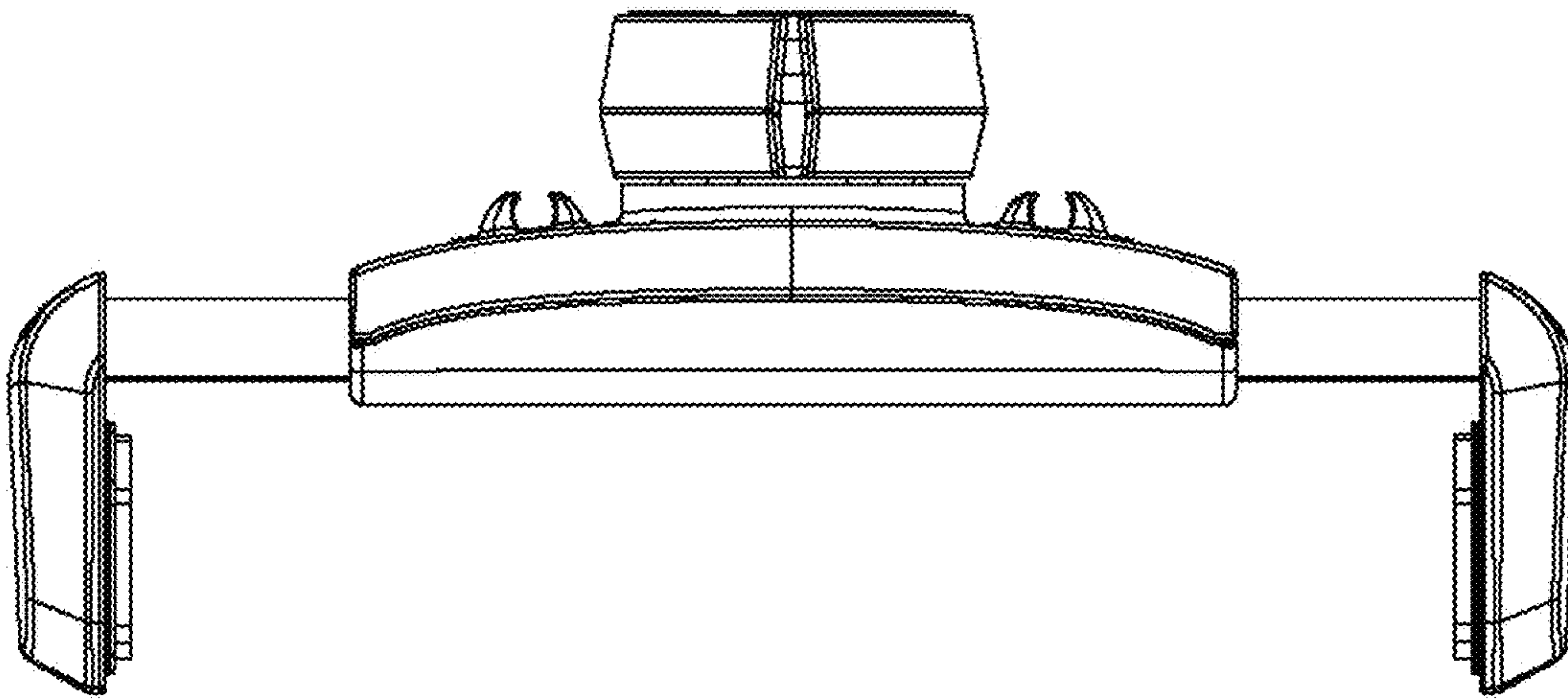


FIGURE 42

