



US00D832245S

(12) **United States Design Patent** (10) **Patent No.:** **US D832,245 S**  
**Jeon** (45) **Date of Patent:** **\*\* Oct. 30, 2018**

(54) **COMBINED BATTERY PACK AND CASE FOR MOBILE COMMUNICATIONS DEVICE**

(71) Applicant: **Korea Electronics Technology Co., Ltd.**, Changwon-si, Gyeongsangnam-do (KR)

(72) Inventor: **Jeong Hyeon Jeon**, Changwon-si (KR)

(73) Assignee: **Korea Electronics Technology Co., Ltd.**, Changwon-si (KR)

(\*\*) Term: **15 Years**

(21) Appl. No.: **29/588,816**

(22) Filed: **Dec. 22, 2016**

(51) **LOC (11) Cl.** ..... **14-03**

(52) **U.S. Cl.**  
USPC ..... **D14/250; D13/103**

(58) **Field of Classification Search**  
USPC ..... D13/102–106, 110, 118–119, 184; D14/250, 251

CPC ..... Y02E 60/12; Y02E 60/122; Y02E 60/124; Y02E 60/50; H01M 2/02; H01M 2/022; H01M 2/0202; H01M 2/0207; H01M 2/0212; H01M 2/1061; H01M 2/1022; H01M 2/1055; H01M 2/1066; H01M 2/105; H01M 2/204; H01M 10/4257; H01M 10/0436; H01M 10/48

See application file for complete search history.

(56) **References Cited**

**U.S. PATENT DOCUMENTS**

D616,361 S \* 5/2010 Huang ..... D13/103  
D663,263 S \* 7/2012 Gupta ..... D13/103  
D705,199 S \* 5/2014 Huang ..... D14/238.1  
D718,755 S \* 12/2014 To ..... D14/250  
D756,910 S \* 5/2016 Gupta ..... D13/103  
D756,911 S \* 5/2016 Gupta ..... D13/103  
D767,485 S \* 9/2016 To ..... D13/103

D771,612 S \* 11/2016 Roberts ..... D14/250  
D789,346 S \* 6/2017 Akana ..... D14/250  
D795,184 S \* 8/2017 Jung ..... D13/103  
9,748,535 B2 \* 8/2017 Huang ..... H01M 2/1022  
2012/0088555 A1 \* 4/2012 Hu ..... H04B 1/3883  
455/573  
2013/0314880 A1 \* 11/2013 Sun ..... H02J 7/0044  
361/730  
2017/0047764 A1 \* 2/2017 Lee ..... H02J 7/0042

\* cited by examiner

*Primary Examiner* — Jennifer Rivard

*Assistant Examiner* — Alison M Ofstun

(74) *Attorney, Agent, or Firm* — Novick, Kim & Lee, PLLC; Jae Youn Kim

(57) **CLAIM**

I claim the ornamental design for a combined battery pack and case for mobile communications device, as shown and described.

**DESCRIPTION**

FIG. 1 is a perspective view of a combined battery pack and case for mobile communications device, showing my new design;

FIG. 2 is a front elevational view thereof;

FIG. 3 is a rear elevational view thereof;

FIG. 4 is a left side elevational view thereof;

FIG. 5 is a right side elevational view thereof;

FIG. 6 is a top plan view thereof;

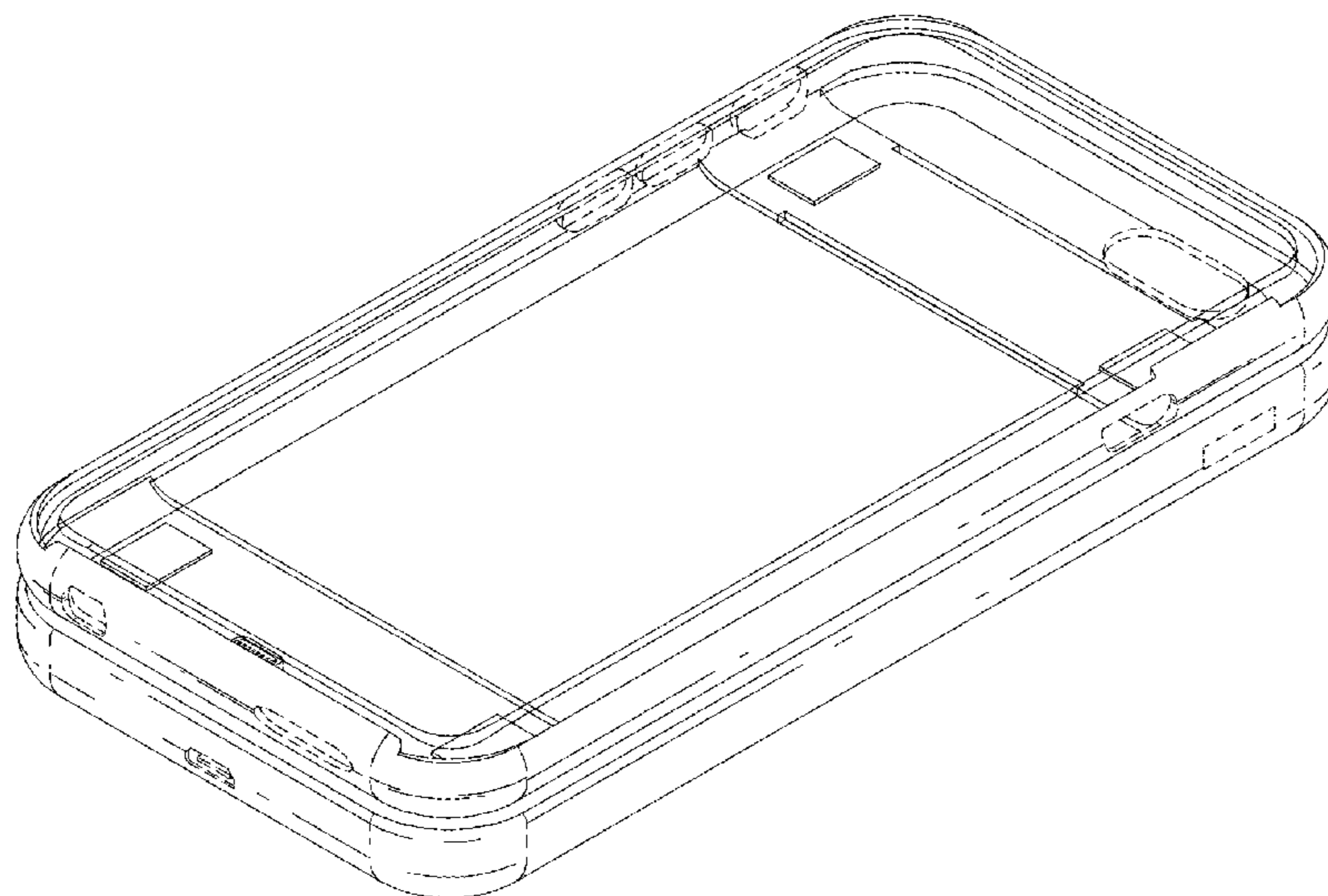
FIG. 7 is a bottom plan view thereof;

FIG. 8 is another perspective view showing the combined battery pack and case for mobile communications device in a disassembled configuration; and,

FIG. 9 is an enlarged view of portion 9 of FIG. 8.

The evenly broken lines represent parts of the article that form no part of the claim. The dot-dash lines represent the designation of the enlargement view of FIG. 9 and form no part thereof.

**1 Claim, 9 Drawing Sheets**



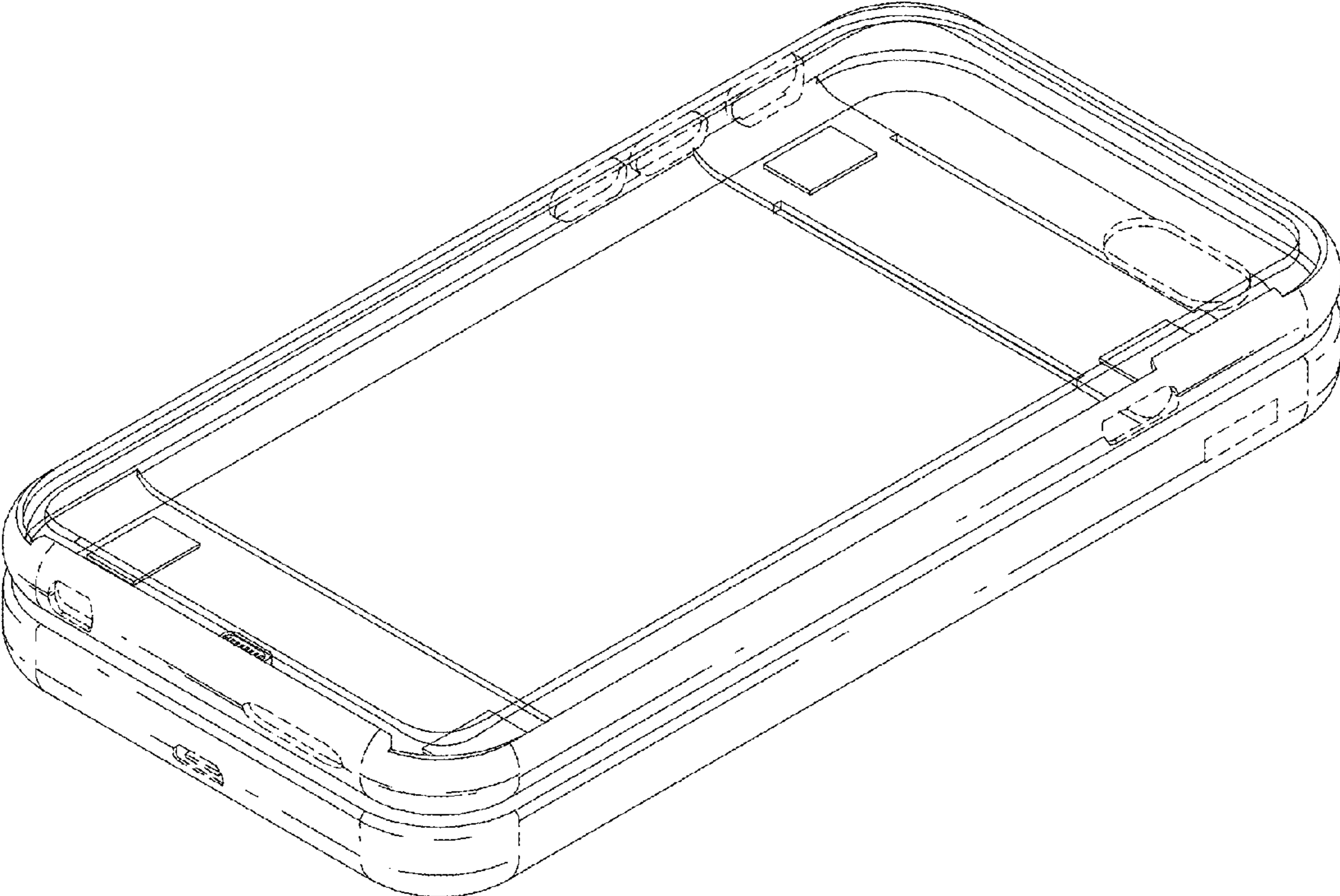


FIG. 1

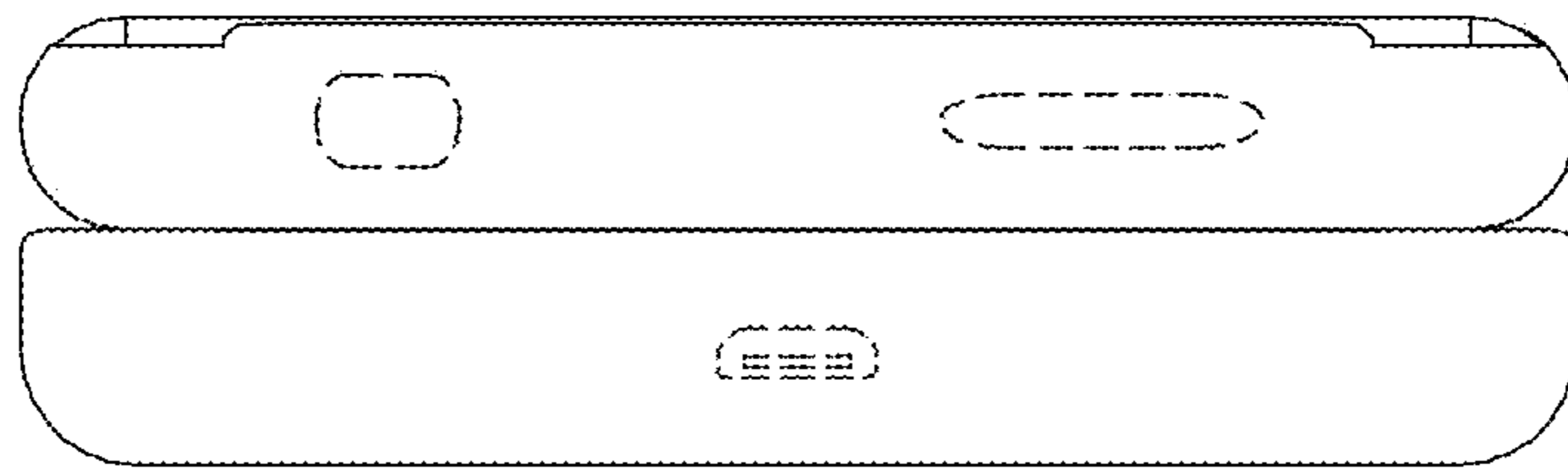


FIG. 2

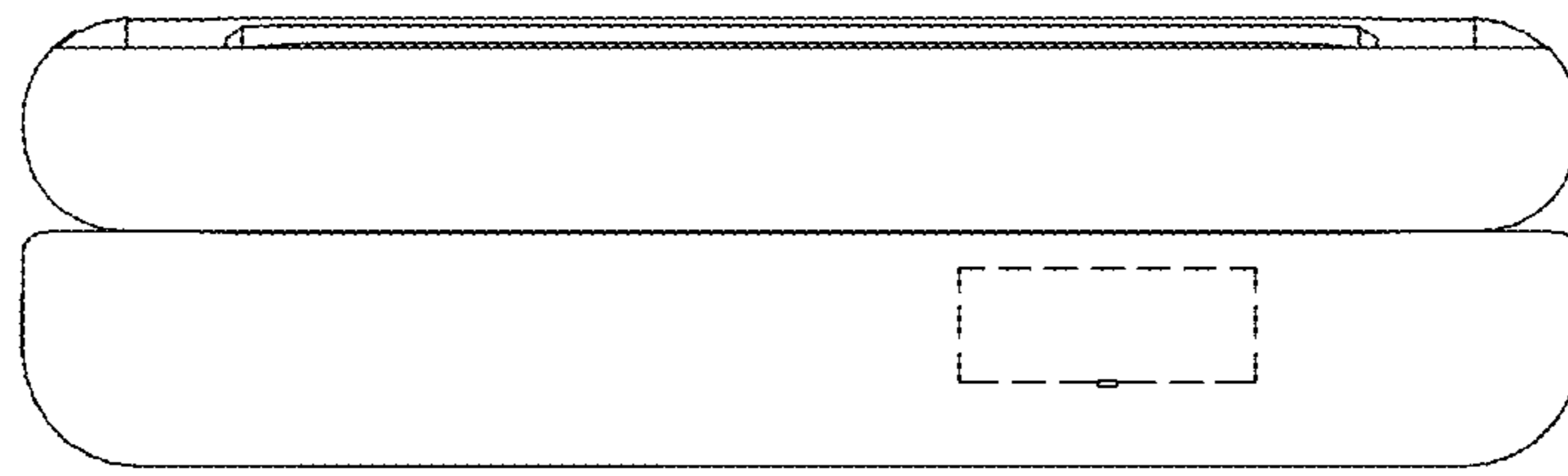


FIG. 3

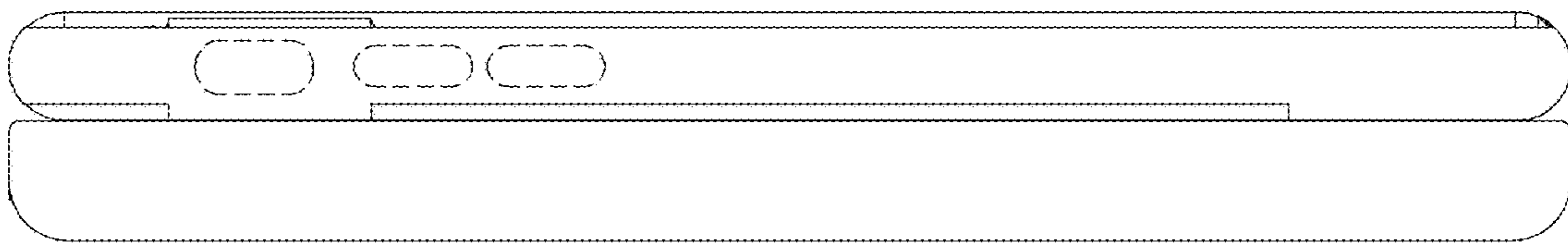


FIG. 4

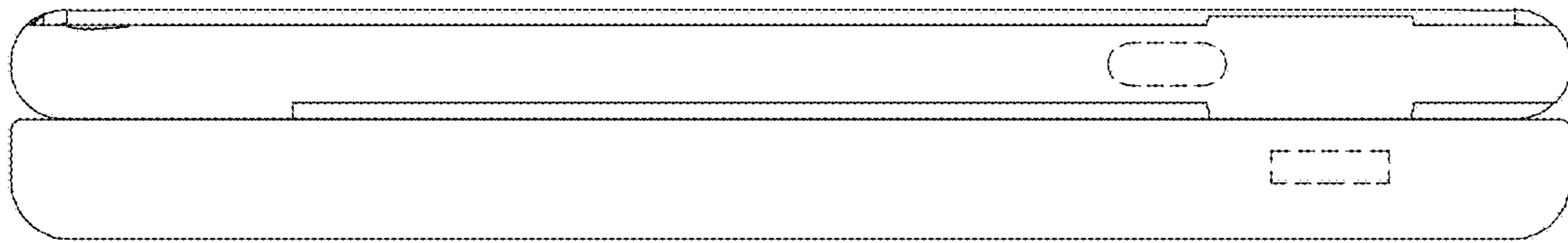


FIG. 5

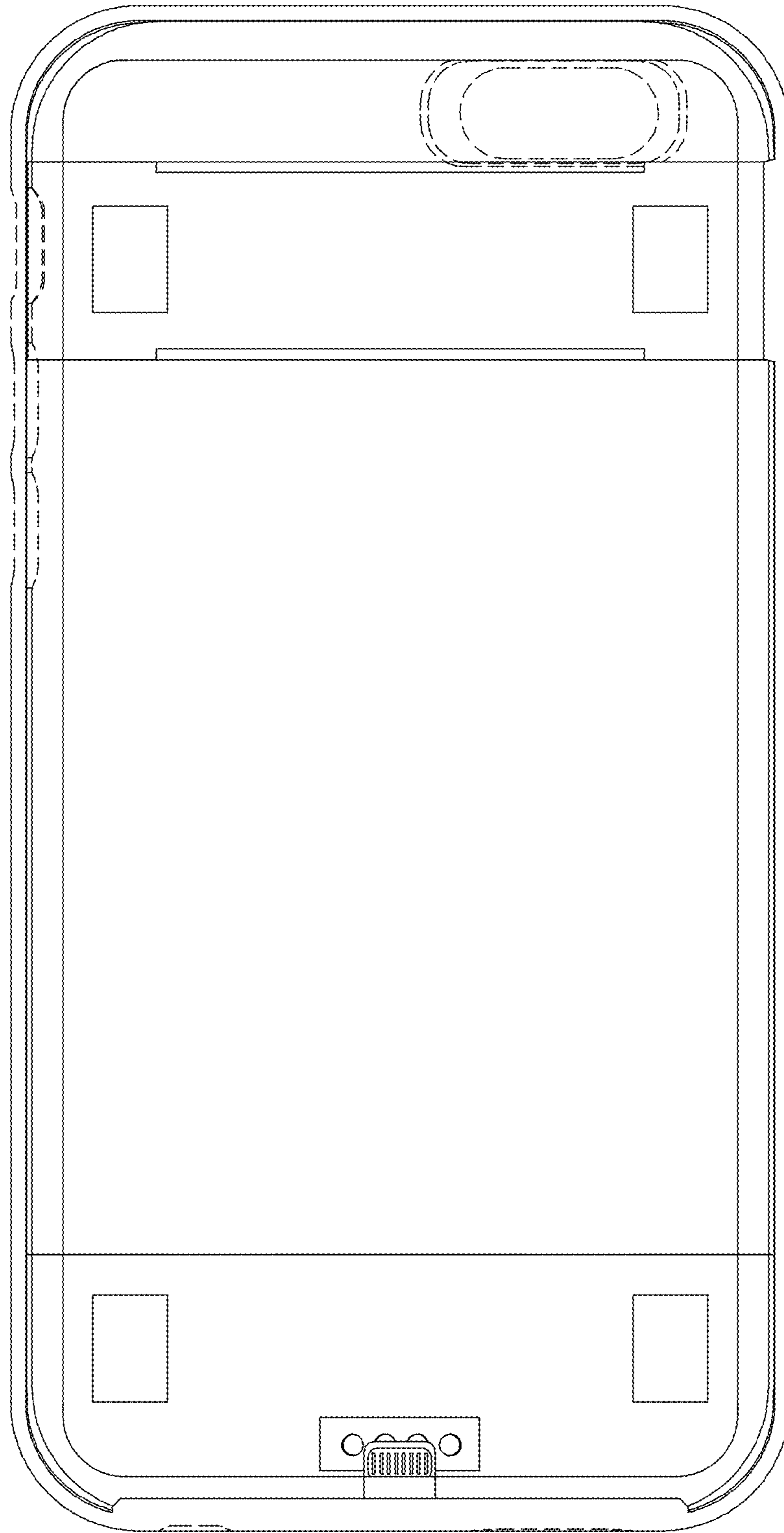


FIG. 6

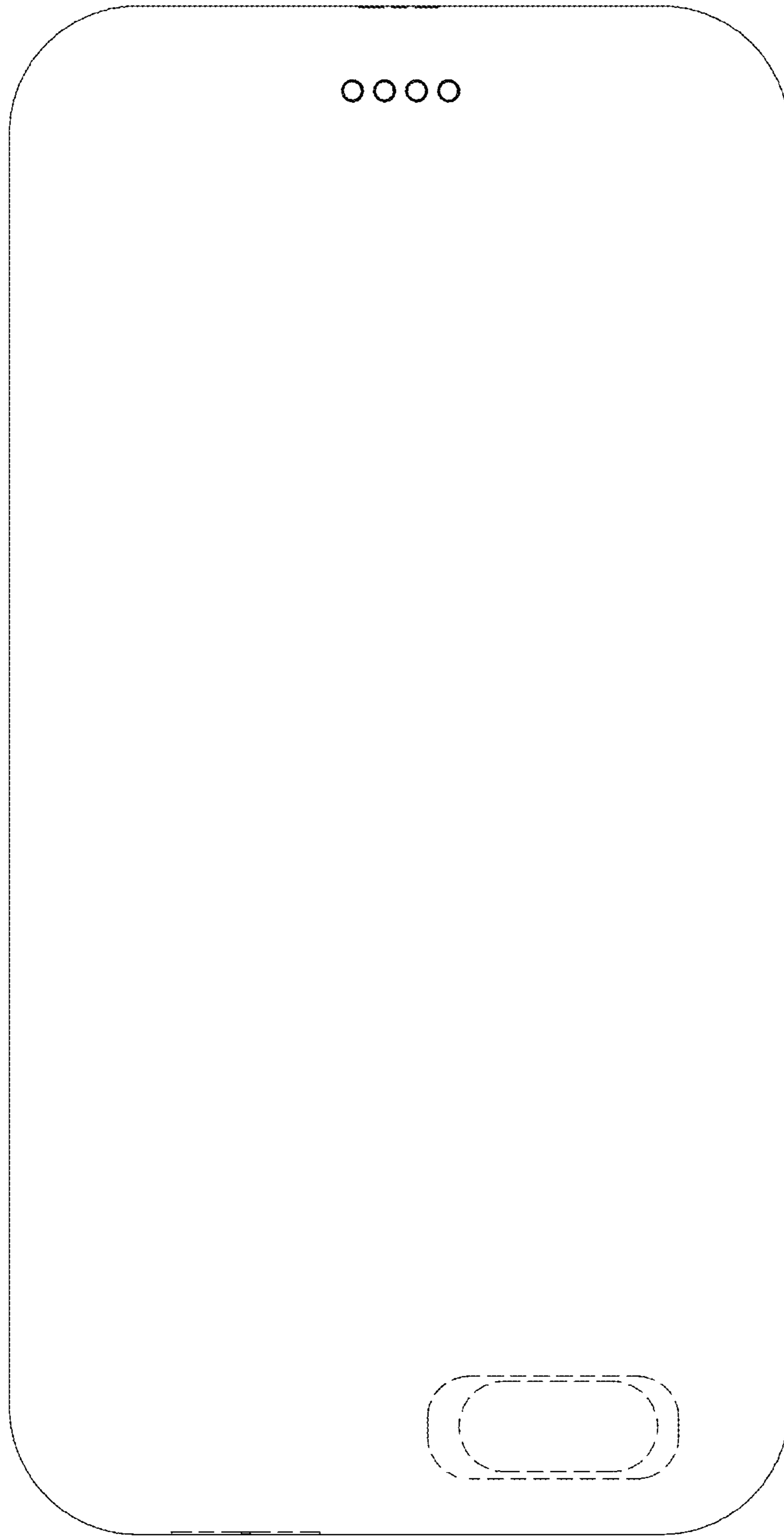


FIG. 7



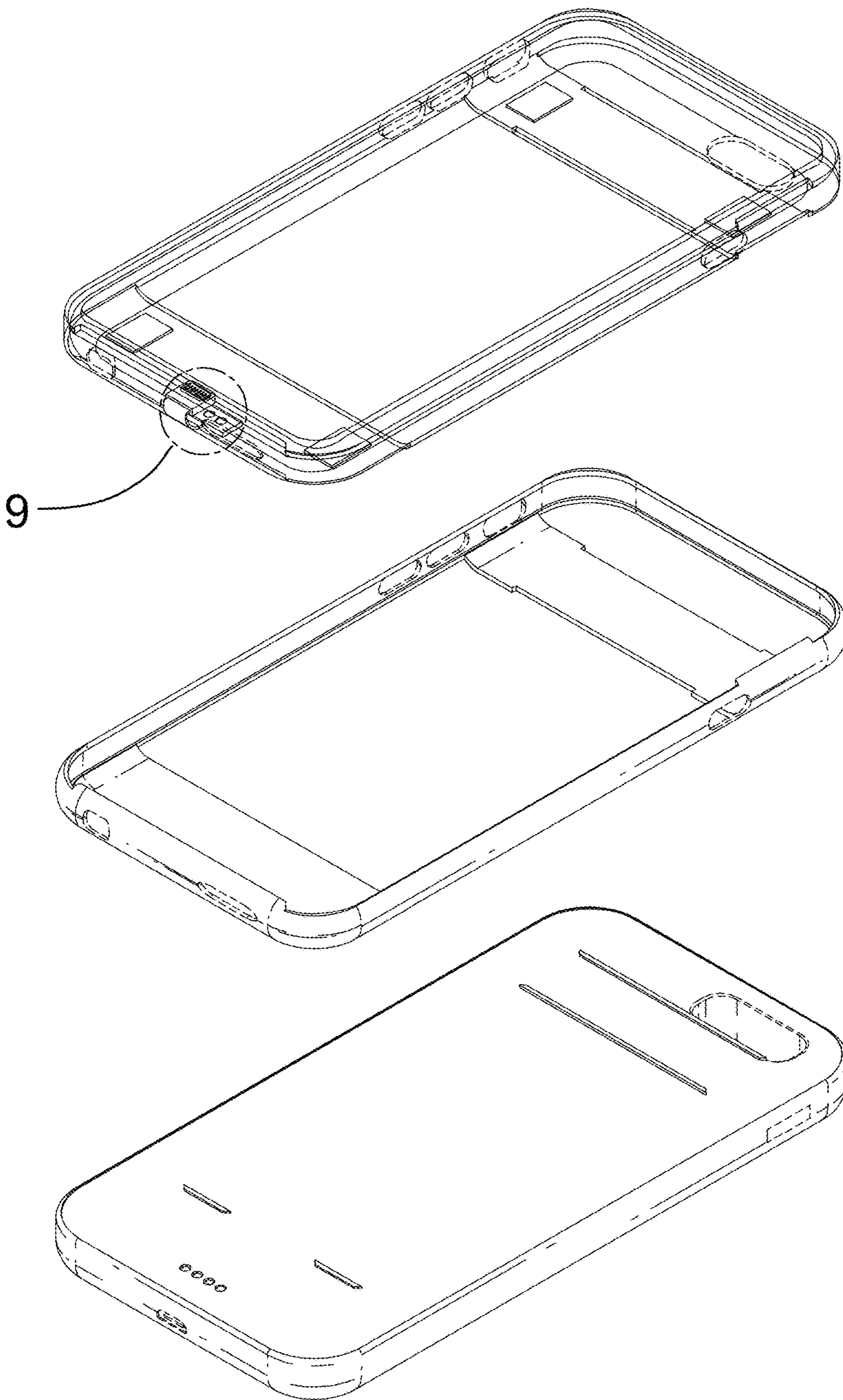


FIG. 8

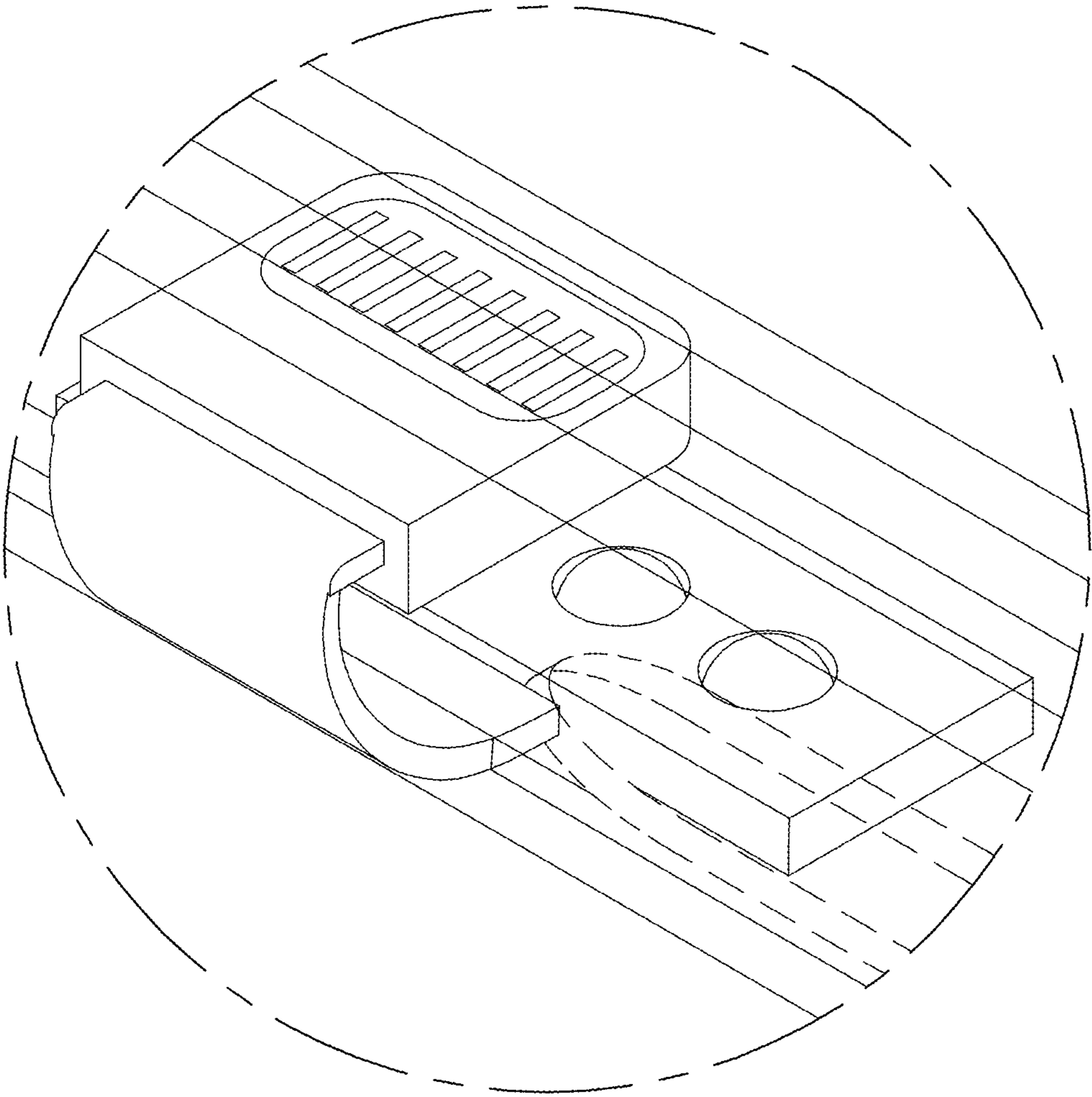


FIG. 9