



US00D832242S

(12) **United States Design Patent** (10) **Patent No.:** **US D832,242 S**
Kwak et al. (45) **Date of Patent:** **** Oct. 30, 2018**

(54) **NETWORK TERMINAL**
(71) Applicant: **SAMSUNG ELECTRONICS CO., LTD.**, Suwon-si, Gyeonggi-do (KR)
(72) Inventors: **Jihee Kwak**, Seoul (KR); **Junghan Song**, Seoul (KR)
(73) Assignee: **SAMSUNG ELECTRONICS CO., LTD.**, Gyeonggi-Do (KR)

D569,354 S * 5/2008 Kellar D14/125
D607,443 S * 1/2010 Klein D14/240
D613,727 S * 4/2010 Xie D14/242
D622,711 S * 8/2010 Landry D14/240
D638,425 S * 5/2011 Ikeda D14/240
D640,213 S * 6/2011 Luo D14/125
D644,221 S * 8/2011 Kemery D14/240

(Continued)

(**) Term: **15 Years**

FOREIGN PATENT DOCUMENTS

CN 302703512 S 1/2014
EM 002376236-0006 12/2013

(21) Appl. No.: **29/608,359**

OTHER PUBLICATIONS

(22) Filed: **Jun. 21, 2017**

Gateways—Routers. (Design—© Questel) orbit.com.[online PDF] 26pgs. Publish Dates range from Jun. 29, 2011 to Jan. 29, 2018. [Retrieved on May 22, 2018] <https://sobjprd.questel.fr/export/QPTUJ214/pdf2/bbfa3306-ccff-4f20-947f-8191bed22702-200006.pdf>.*

(30) **Foreign Application Priority Data**

Feb. 27, 2017 (KR) 30-2017-0009341

(51) **LOC (11) Cl.** **14-03**

(52) **U.S. Cl.**
USPC **D14/240**; D14/242; D14/358

(58) **Field of Classification Search**
USPC D14/125, 129, 130, 140, 142, 155, 167, D14/168, 172, 188, 195, 203.1, 203.6, D14/204, 205, 216, 240, 242, 299, 496, D14/300, 302, 314, 348, 351, 356, 357, D14/358, 361, 362, 365, 367, 370, 388, D14/432, 434; D13/103, 107, 108, 123, D13/152, 158, 162, 162.1, 163, 168, 184, D13/199; D10/104.1, 106.1, 106.6, D10/116.1, 61, 64, 75, 106.9

CPC ... H04W 88/08; H04W 88/085; H04W 88/00; H04W 88/005; H04W 88/02; H04W 88/12; H04W 88/14; H04W 88/16; H04W 88/18; H04W 4/00; H01Q 1/02; H01Q 1/2291; H01Q 1/246; H04B 1/38

See application file for complete search history.

(56) **References Cited**

U.S. PATENT DOCUMENTS

D486,480 S * 2/2004 Tanaka D14/242
D511,341 S 11/2005 Chen

Primary Examiner — Susan Bennett Hattan
Assistant Examiner — Marie D. Fast Horse
(74) *Attorney, Agent, or Firm* — Cantor Colburn LLP

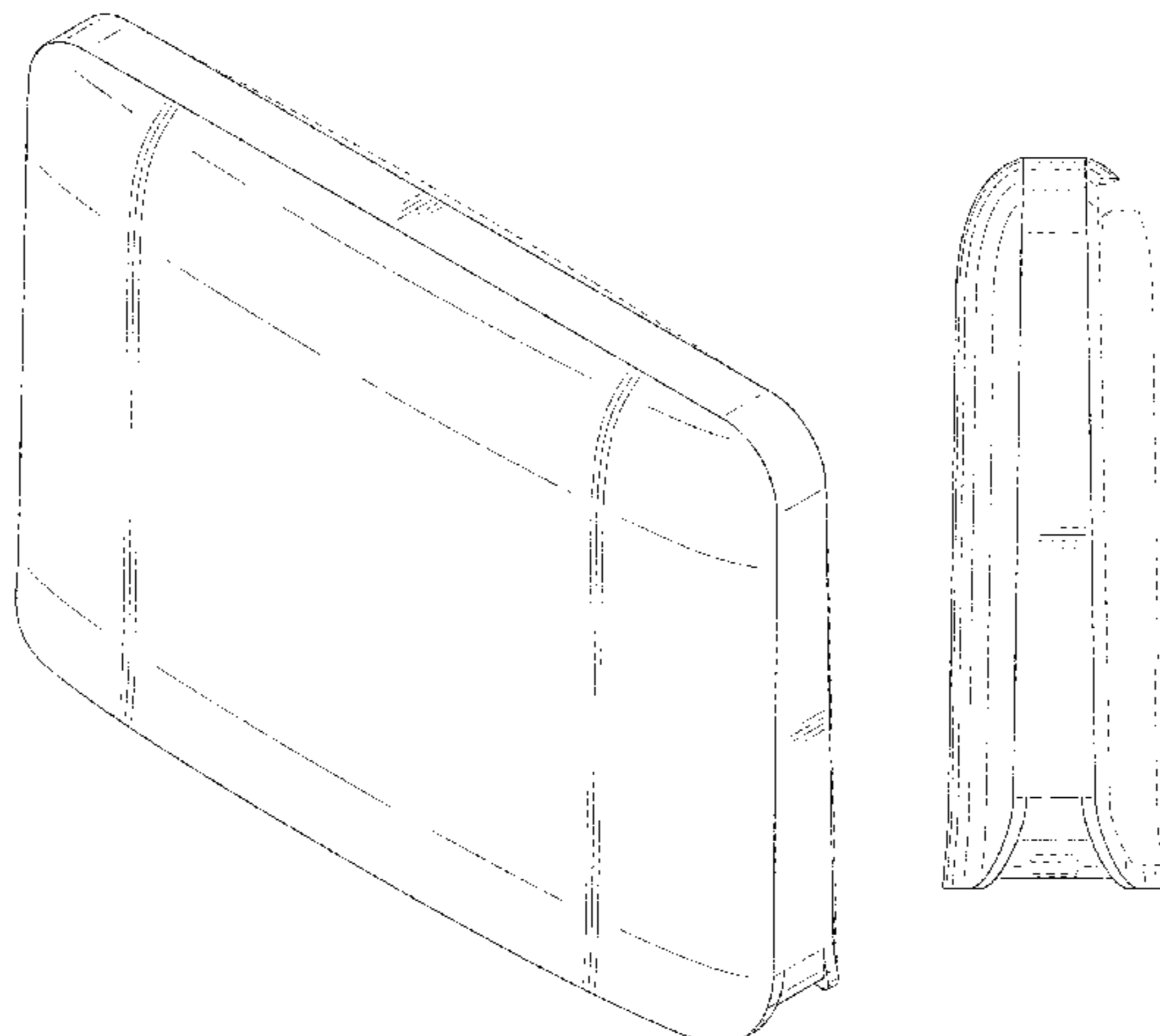
(57) **CLAIM**

The ornamental design for a network terminal, as shown and described.

DESCRIPTION

FIG. 1 is a front perspective view of a network terminal showing our new design;
FIG. 2 is a front view thereof;
FIG. 3 is a rear view thereof;
FIG. 4 is a left-side view thereof;
FIG. 5 is a right-side view thereof;
FIG. 6 is a top view thereof; and,
FIG. 7 is a bottom view thereof.
The broken lines depict portions of the network terminal that form no part of the claimed design.

1 Claim, 5 Drawing Sheets



(56)

References Cited

U.S. PATENT DOCUMENTS

D662,920	S	*	7/2012	Neu	D14/240
D697,901	S	*	1/2014	Gao	D14/240
D707,666	S	*	6/2014	Ting	D14/240
D733,708	S	*	7/2015	Chen	D14/240
D742,374	S	*	11/2015	Terasawa	D14/240

* cited by examiner

FIG. 1

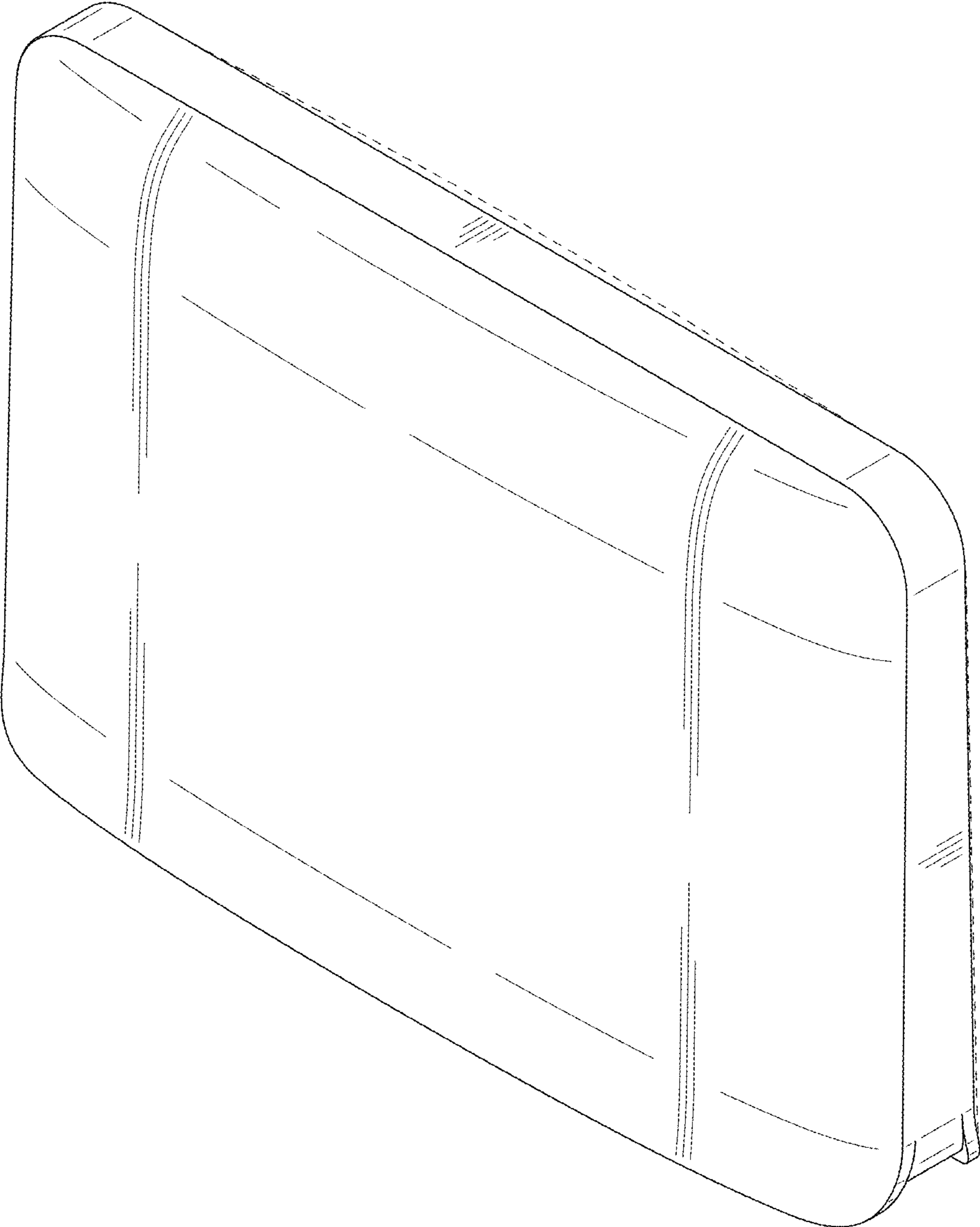


FIG. 2

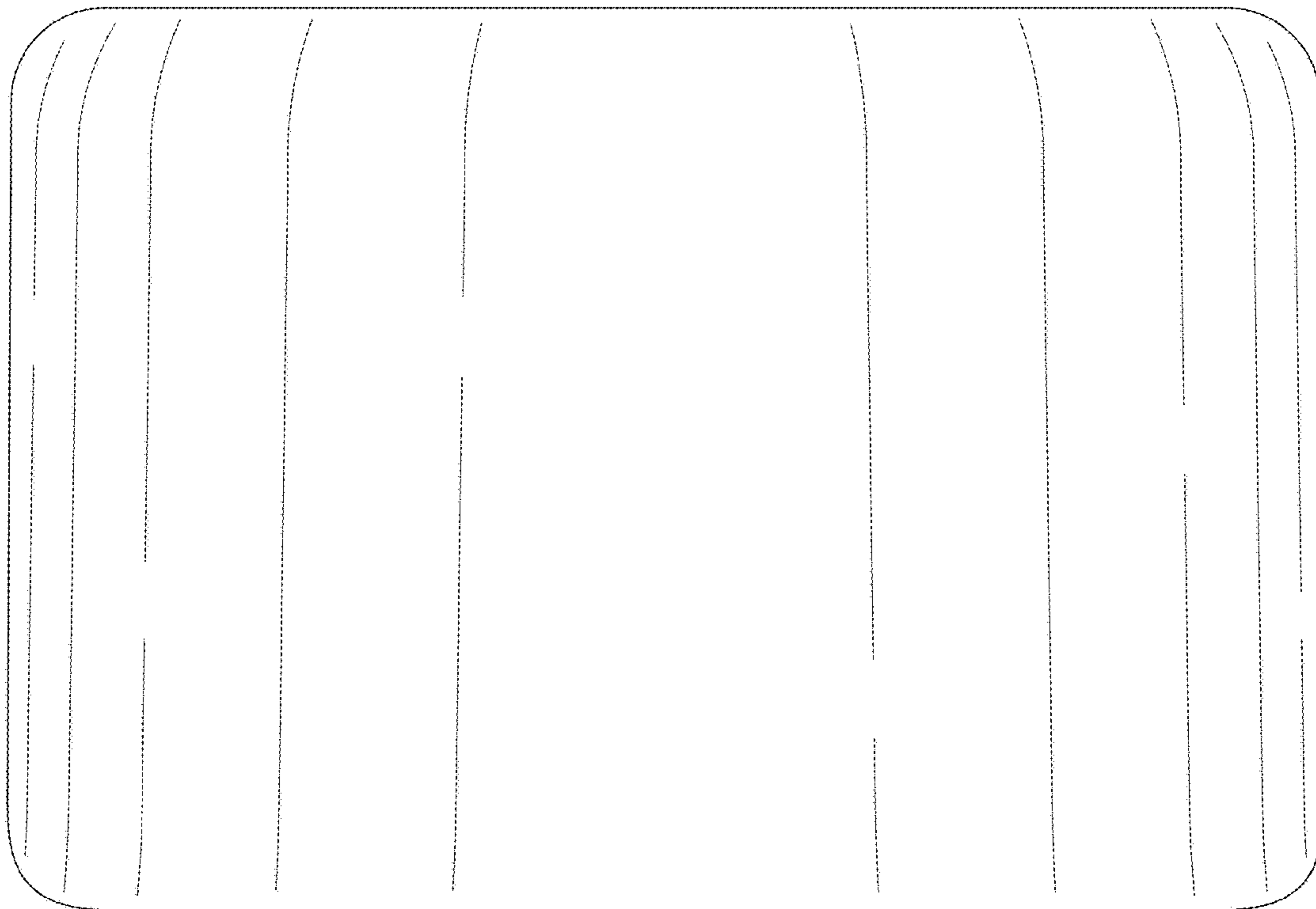


FIG. 3

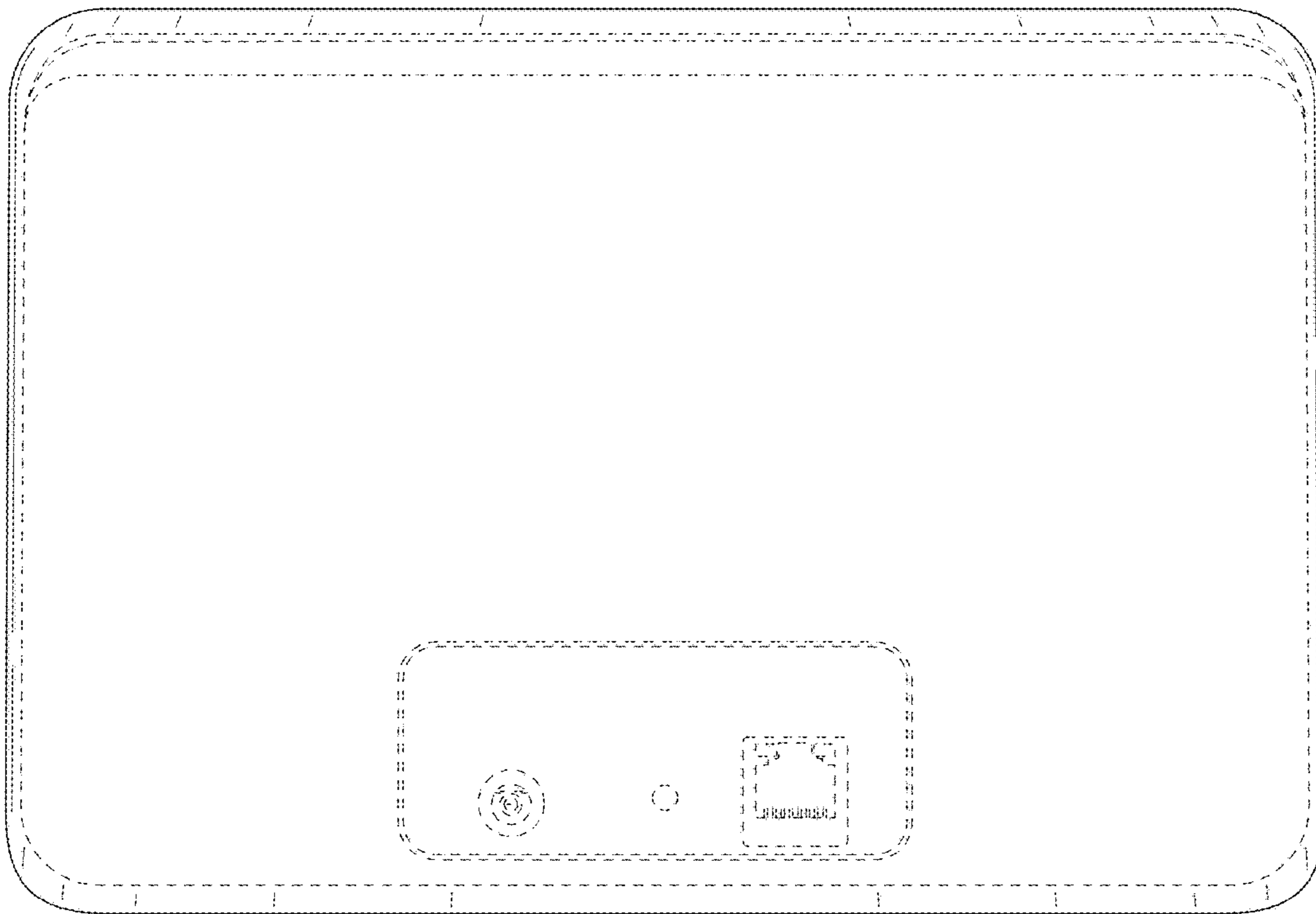


FIG. 4

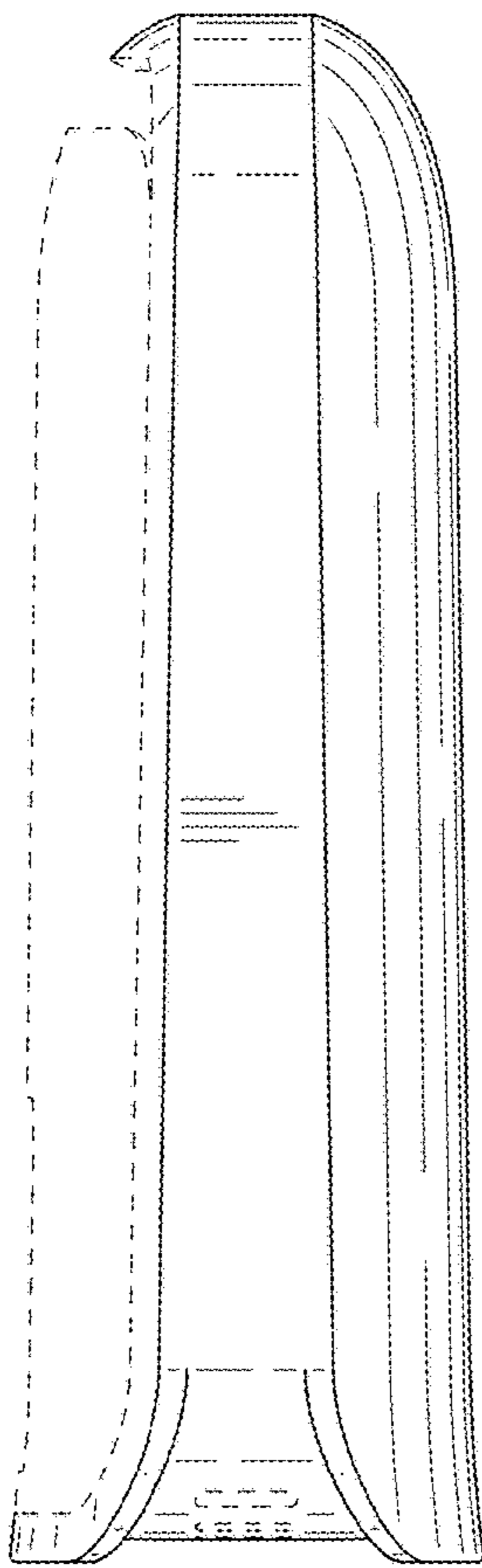


FIG. 5

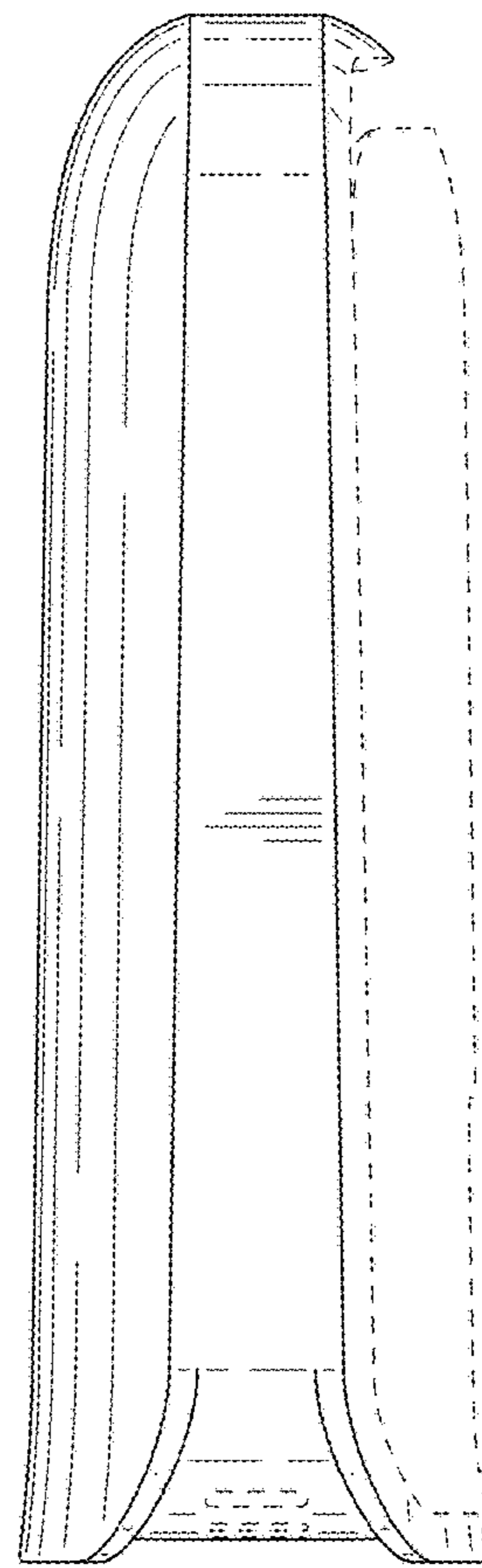


FIG. 6

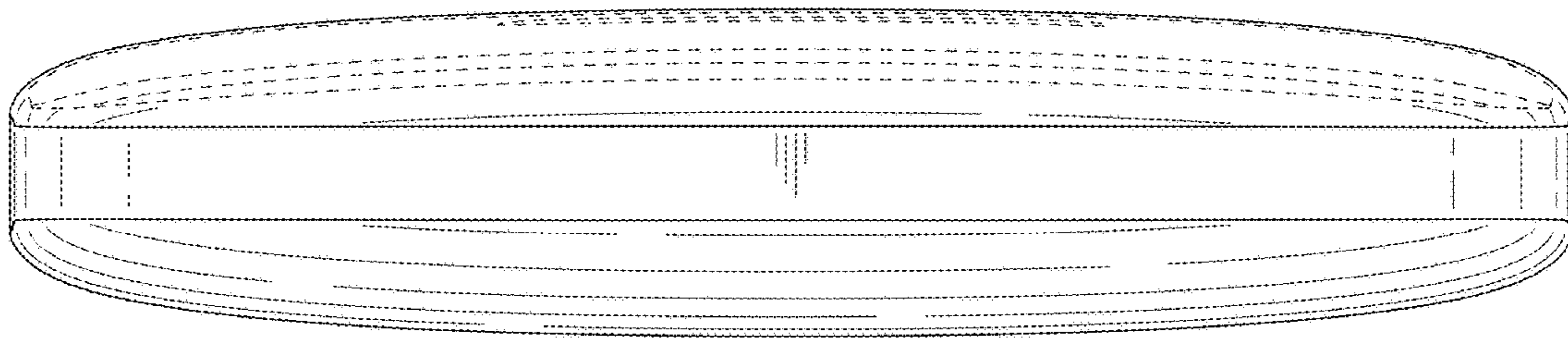


FIG. 7

