



US00D832239S

(12) **United States Design Patent**
Warden et al.

(10) **Patent No.:** **US D832,239 S**

(45) **Date of Patent:** **** Oct. 30, 2018**

- (54) **SPEAKER**
- (71) Applicant: **Bose Corporation**, Framingham, MA (US)
- (72) Inventors: **Robert A. Warden**, Southborough, MA (US); **Peter C. Santoro**, Groton, MA (US)
- (73) Assignee: **Bose Corporation**, Framingham, MA (US)
- (**) Term: **15 Years**
- (21) Appl. No.: **29/594,424**
- (22) Filed: **Feb. 17, 2017**
- (51) **LOC (11) Cl.** **14-01**
- (52) **U.S. Cl.**
USPC **D14/222; D14/209**
- (58) **Field of Classification Search**
USPC ... D14/209, 221, 222, 224, 224.1, 217, 219, D14/216, 215, 258, 210, 209.1, 204, 228, D14/229; 181/150, 151, 152, 153, 159, 181/144, 146, 145, 147, 156, 160, 199, 181/155, 148, 149; 381/386, 395, 398, 381/396, 160, 391, 182, 184, 186, 424, 381/342, 345, 322, 404, 335
CPC . H04R 25/00; H04R 1/02; H04R 9/06; H04R 9/02; H04R 5/00; H04R 1/28; H05K 5/00; A47B 81/06
See application file for complete search history.

- 3,026,957 A * 3/1962 Gladstone H04R 1/22 181/147
- 3,718,779 A * 2/1973 Schoengold H04R 1/021 181/167
- D228,139 S * 8/1973 Ishikawa D14/214
- 4,003,449 A * 1/1977 Bertagni G10K 13/00 181/169
- D253,108 S * 10/1979 Schroeder 181/147
- D254,252 S * 2/1980 Matsubara 181/157
- D254,434 S * 3/1980 Iijima 181/157
- 4,252,211 A * 2/1981 Matsuda H04R 1/22 181/166
- D259,877 S * 7/1981 Barbera D14/214
- 4,349,084 A * 9/1982 Karpodines H04R 1/2819 181/146
- 4,439,643 A * 3/1984 Schweizer H04R 1/021 181/153
- D280,818 S * 10/1985 Clover, Jr. D14/215

(Continued)

Primary Examiner — Paula Allen Greene
(74) *Attorney, Agent, or Firm* — Brian M. Dingman; Dingman IP Law, PC

(57) **CLAIM**

The ornamental design for a speaker, substantially as shown and described.

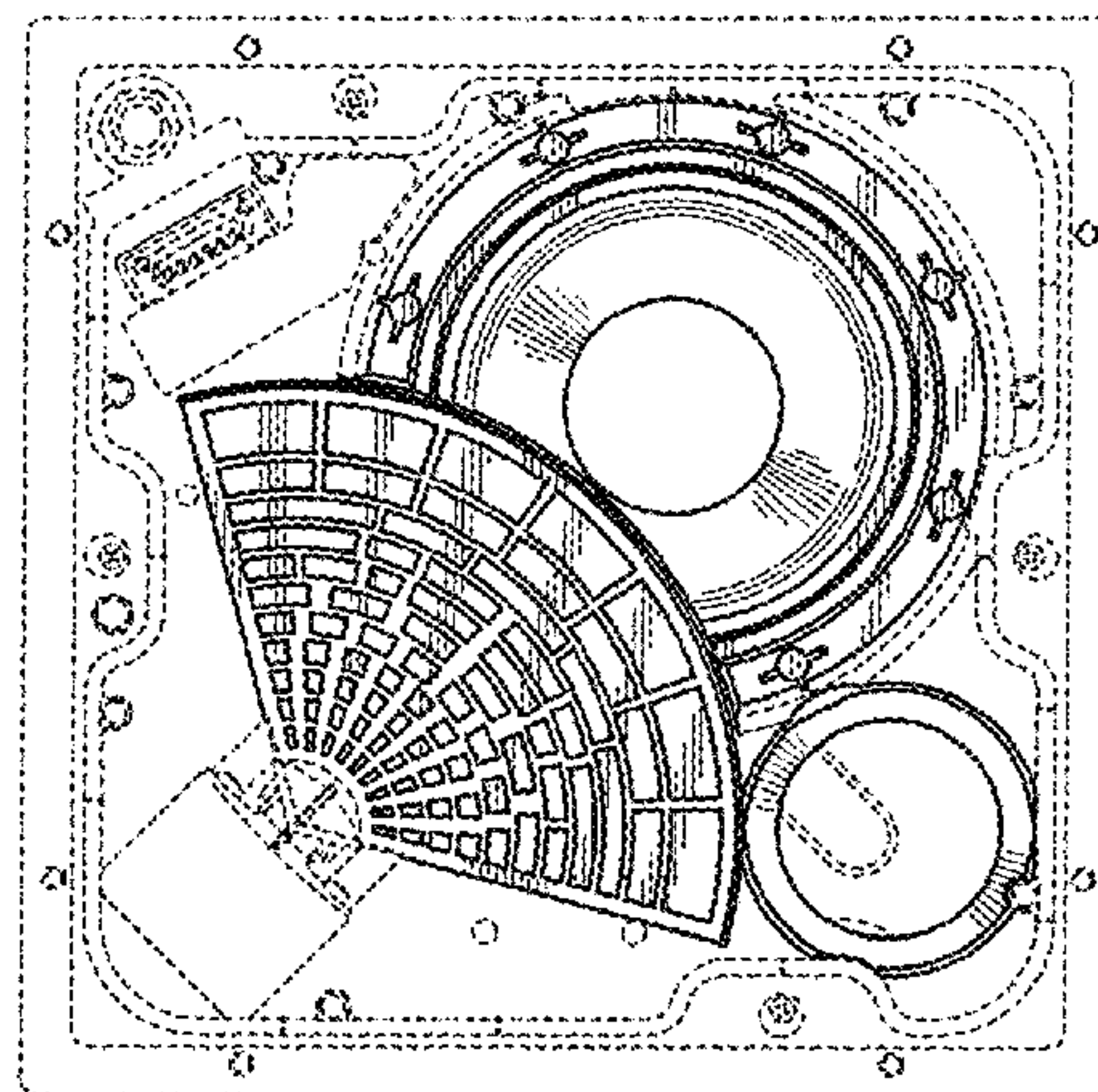
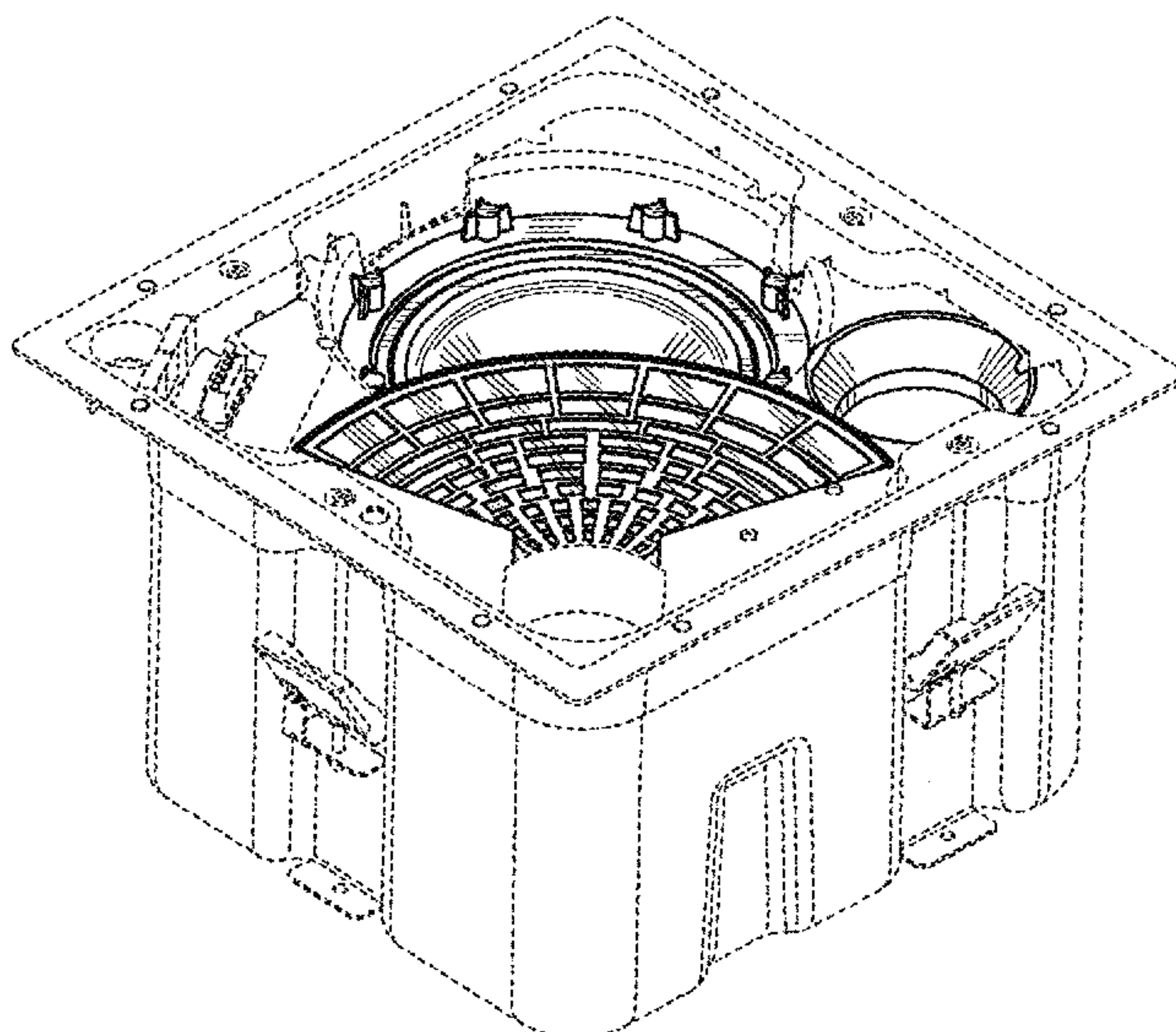
DESCRIPTION

FIG. 1 is a perspective view of a speaker as seen from the front, top, and right side; FIG. 2 is top view thereof; FIG. 3 is a bottom view thereof; FIG. 4 is a left side view thereof; FIG. 5 is a right side view thereof; FIG. 6 is a rear view thereof; and, FIG. 7 is a front view thereof.

The broken lines immediately adjacent the shaded areas represent the bounds of the claimed design while all other broken lines are directed to environment and are for illustrative purposes only; the broken lines form no part of the claimed design.

1 Claim, 4 Drawing Sheets

- (56) **References Cited**
U.S. PATENT DOCUMENTS
1,870,417 A * 8/1932 Mallina H04R 7/14 181/170
D158,448 S * 5/1950 Ethington D14/215
2,857,478 A * 10/1958 Harris H04R 1/24 381/182



(56)

References Cited

U.S. PATENT DOCUMENTS

D281,157	S *	10/1985	Takagi	D14/215
D282,065	S *	1/1986	Piercy	D14/224
4,672,675	A *	6/1987	Powell	H04R 9/063 381/182
4,673,057	A *	6/1987	Glassco	H04R 1/026 181/144
4,823,110	A *	4/1989	Dorward	G10K 9/18 116/142 R
4,924,964	A *	5/1990	Olsen	H04R 1/288 181/146
5,113,968	A *	5/1992	Lemmon	H04R 1/023 181/148
5,416,283	A *	5/1995	Dault	B60R 11/0217 181/141
5,731,552	A *	3/1998	Tsao	H04R 1/2834 181/146
5,746,507	A *	5/1998	Lee	F21V 21/04 362/147
5,931,432	A *	8/1999	Herold	F21V 21/04 248/343
6,079,514	A *	6/2000	Zingali	G10K 11/025 181/152

6,283,430	B1 *	9/2001	Schubert	F21S 8/02 248/314
D451,087	S *	11/2001	Moro	D14/221
6,493,452	B1 *	12/2002	Koizumi	H04R 1/24 181/144
D476,313	S *	6/2003	Rivera	H04R 1/24 D14/216
D483,744	S *	12/2003	Vosse	D14/224
D485,256	S *	1/2004	Allen	D14/214
6,735,321	B2 *	5/2004	Mazejka	H04R 1/025 248/343
D529,898	S *	10/2006	Kuribayashi	D14/215
D533,541	S *	12/2006	Motoishi	D14/215
D535,289	S *	1/2007	Okamoto	D14/216
D556,738	S *	12/2007	Yao	D14/216
D570,334	S *	6/2008	Sakata	D14/216
D592,180	S *	5/2009	Davis	D14/204
D597,531	S *	8/2009	Cho	D14/214
D672,750	S *	12/2012	Lee	D14/215
D672,751	S *	12/2012	Davies	D14/204
D678,246	S *	3/2013	Davies	D14/204
D738,352	S *	9/2015	Alexander	D14/215
D738,861	S *	9/2015	Yang	D14/222
D756,335	S *	5/2016	Shin	D14/221
D770,414	S *	11/2016	Davies	D14/215

* cited by examiner

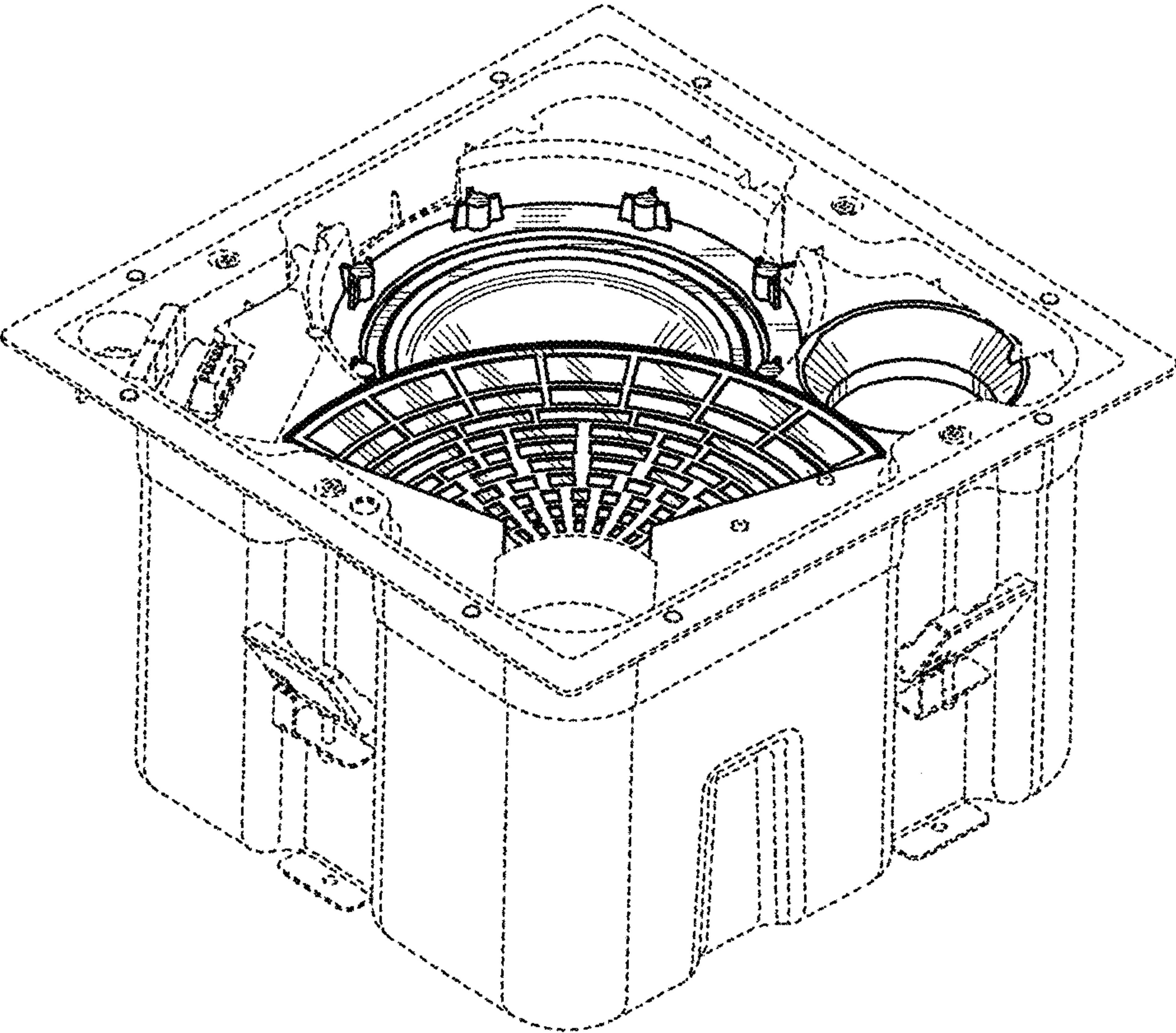


FIG. 1

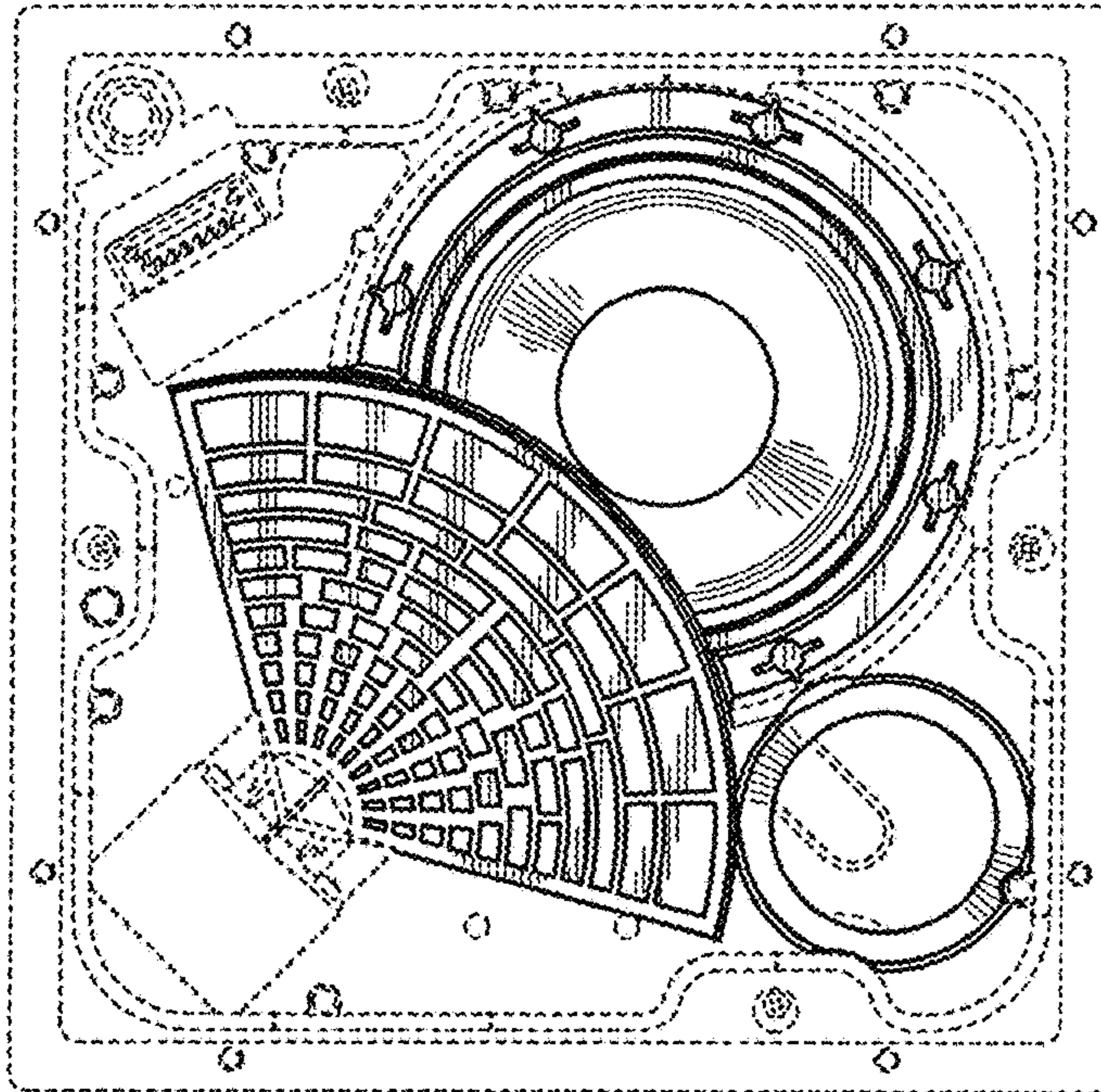


FIG. 2

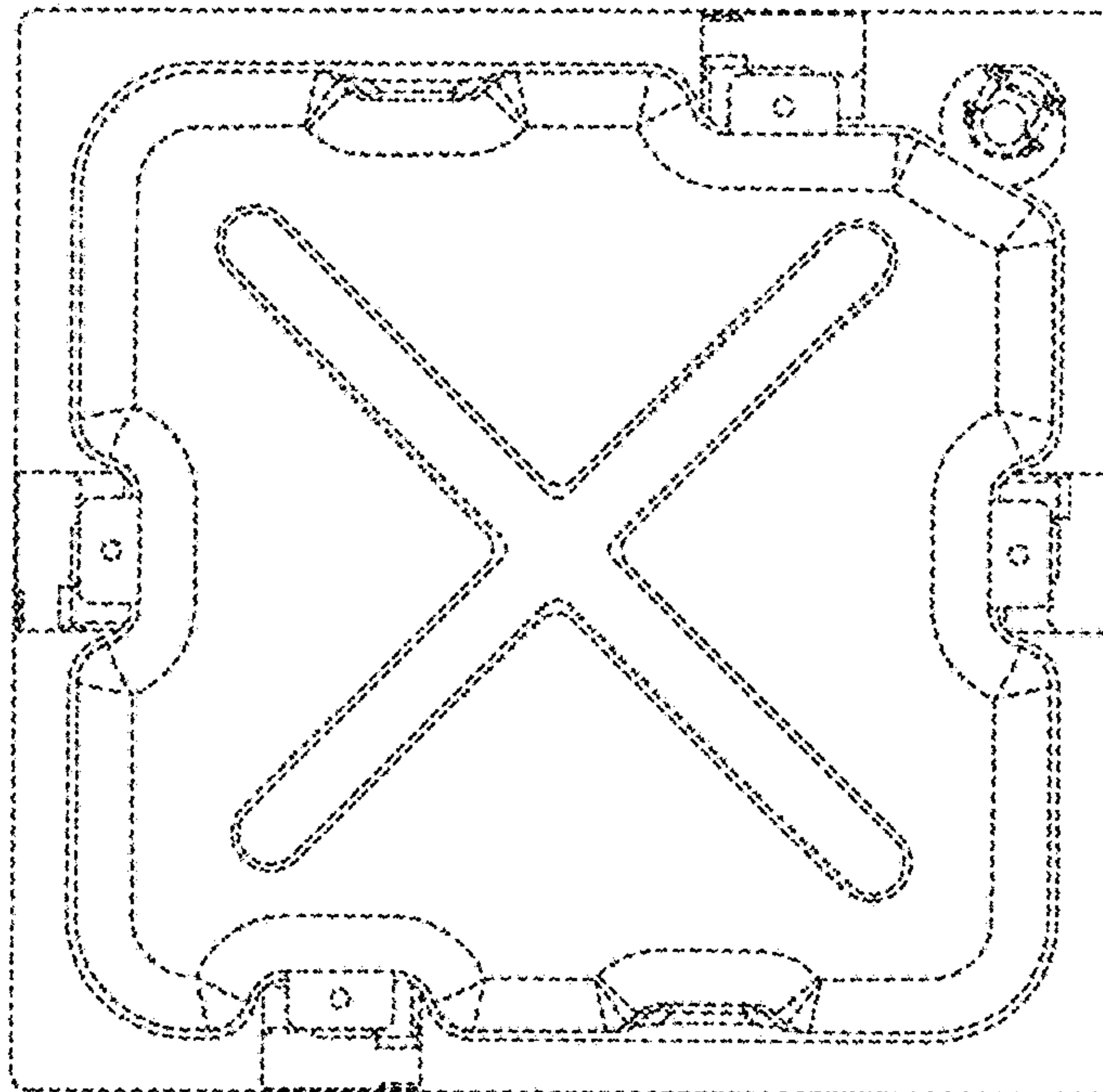


FIG. 3

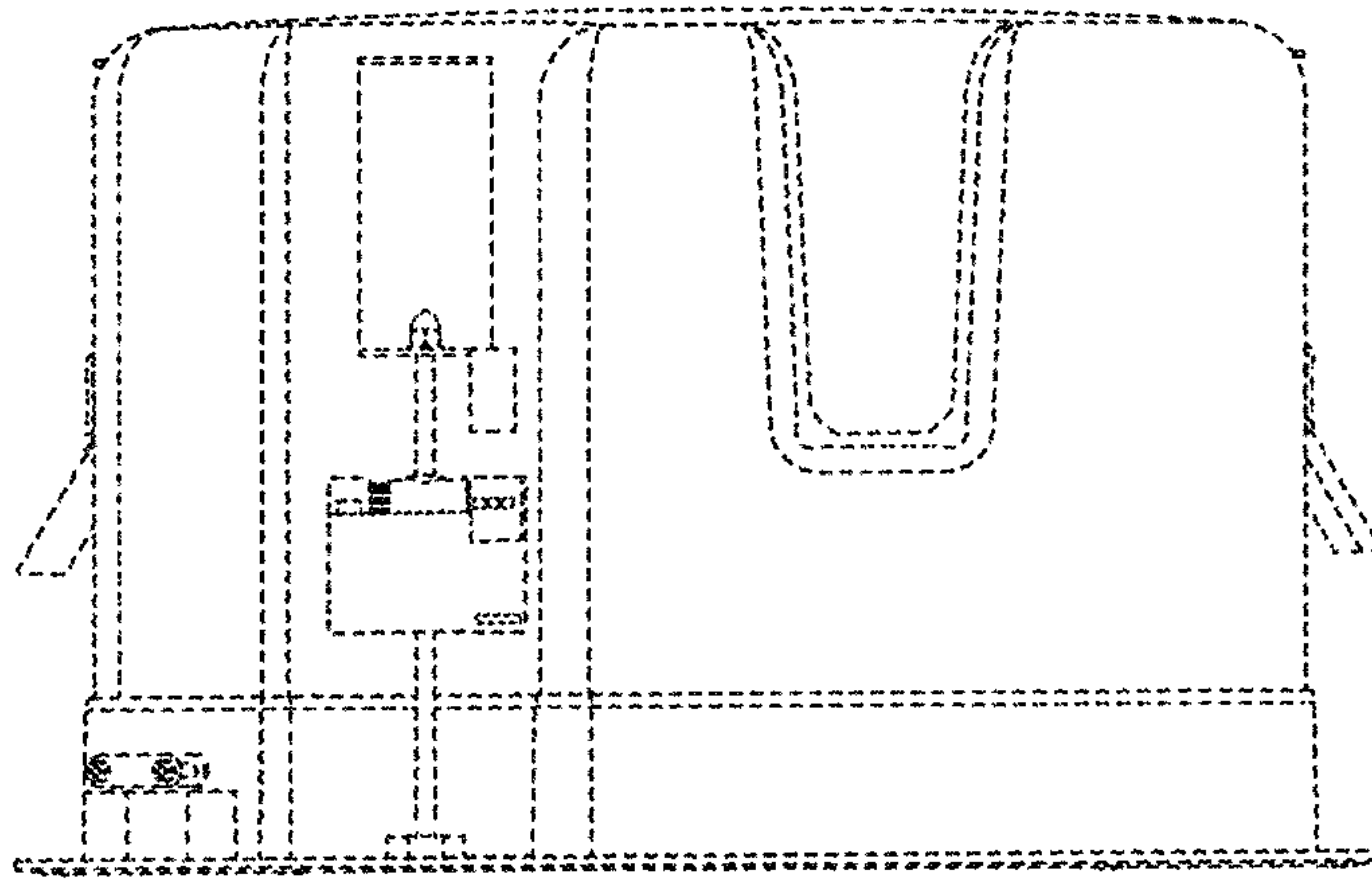


FIG. 4

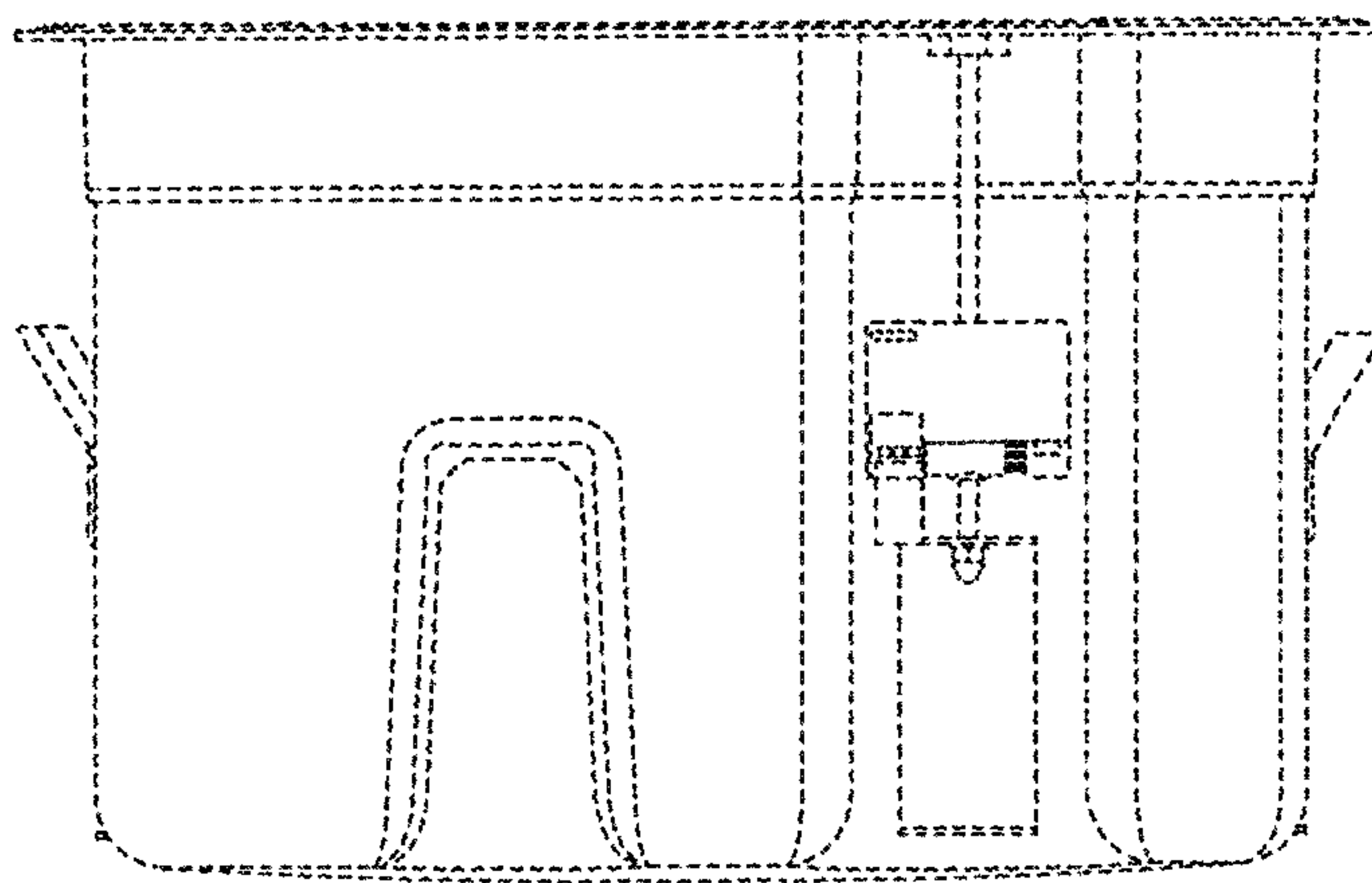


FIG. 5

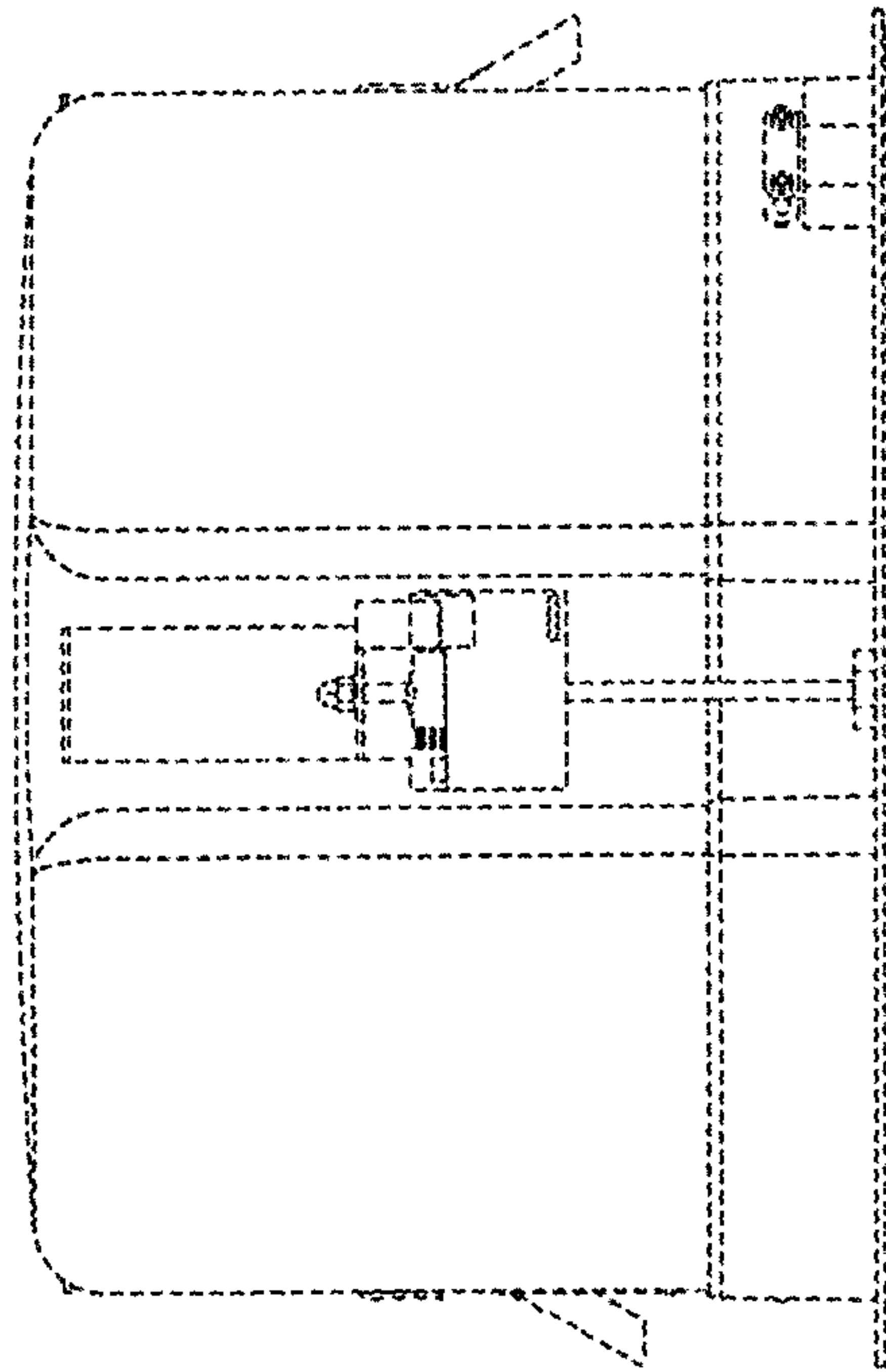


FIG. 6

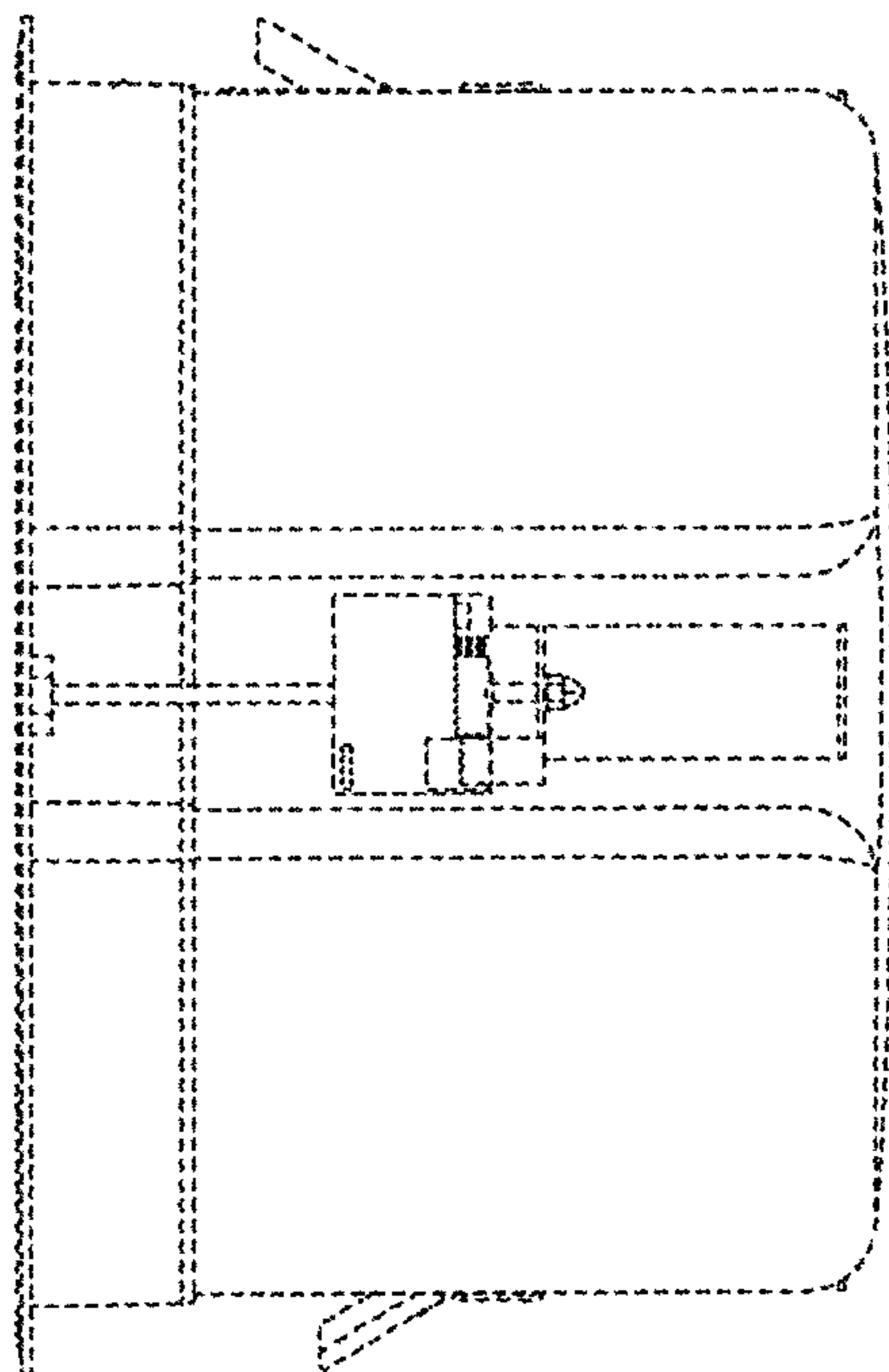


FIG. 7