



US00D832236S

(12) **United States Design Patent**
Nugent et al.

(10) **Patent No.:** **US D832,236 S**
(45) **Date of Patent:** **** Oct. 30, 2018**

(54) **LOUDSPEAKER SYSTEM**

(71) Applicant: **Harman International Industries, Incorporated**, Northridge, CA (US)

(72) Inventors: **Tim Nugent**, Santa Monica, CA (US);
Craig Lambrecht, Granger, IN (US);
Val Kalyuzhny, Reseda, CA (US)

(73) Assignee: **Harman International Industries, Incorporated**, Northridge, CA (US)

(**) Term: **15 Years**

(21) Appl. No.: **29/596,569**

(22) Filed: **Mar. 9, 2017**

Related U.S. Application Data

(63) Continuation-in-part of application No. 29/551,710, filed on Jan. 15, 2016, now Pat. No. Des. 797,078.

(51) **LOC (11) Cl.** **14-03**

(52) **U.S. Cl.**
USPC **D14/214**

(58) **Field of Classification Search**

USPC ... D14/214, 204, 217, 208, 209.1, 210, 212, D14/172, 213, 215, 216, 218, 240, 496, D14/228, 191, 195, 196, 203.6, 203.8; D23/335, 328, 370; D10/104.1; D13/184; 181/143, 144, 147, 148, 150, 181/153, 157, 198, 199; 381/361-364, 381/386-388

CPC . H04R 1/02; H04R 25/00; H04R 1/28; H05K 5/00; A47B 81/06

See application file for complete search history.

(56) **References Cited**

U.S. PATENT DOCUMENTS

2,230,104 A 1/1941 Bostwick
3,047,090 A * 7/1962 Pruden H04R 1/2857
181/152

3,207,257 A 9/1965 Wilson
3,512,606 A * 5/1970 Anastin H04R 1/26
181/144
D242,259 S * 11/1976 Babb D14/214
D249,684 S 9/1978 Rams
D261,883 S 11/1981 Russell et al.
D268,673 S 4/1983 Iijima
4,805,730 A 2/1989 O'Neill et al.
D315,736 S * 3/1991 Takagi D14/172
D319,445 S 8/1991 Yamakawa
D322,072 S 12/1991 Yamamoto
D335,497 S 5/1993 Patterson, Jr. et al.
D347,225 S 5/1994 Lowy et al.

(Continued)

Primary Examiner — Paula Allen Greene

(74) *Attorney, Agent, or Firm* — Plumsea Law Group, LLC

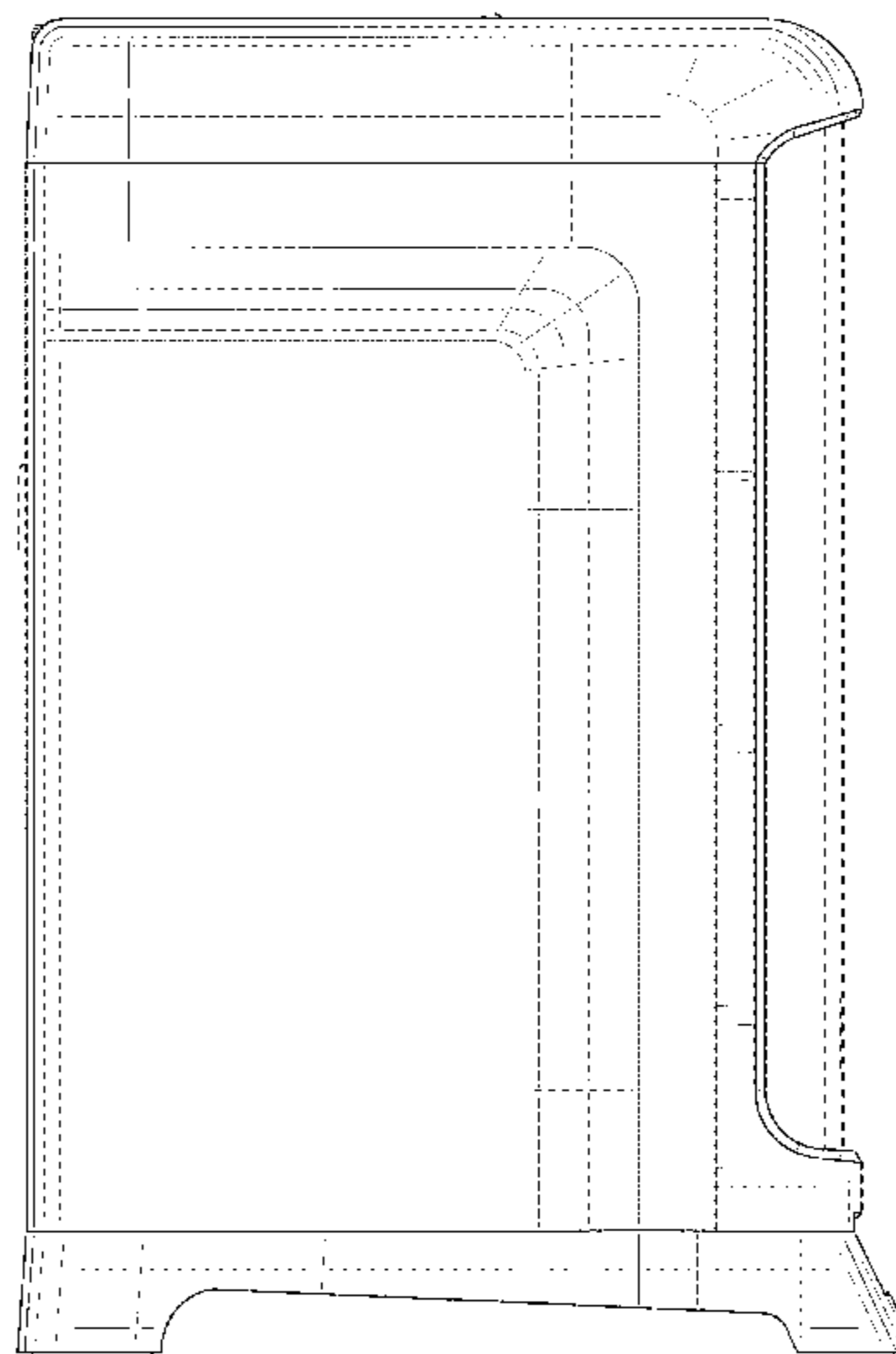
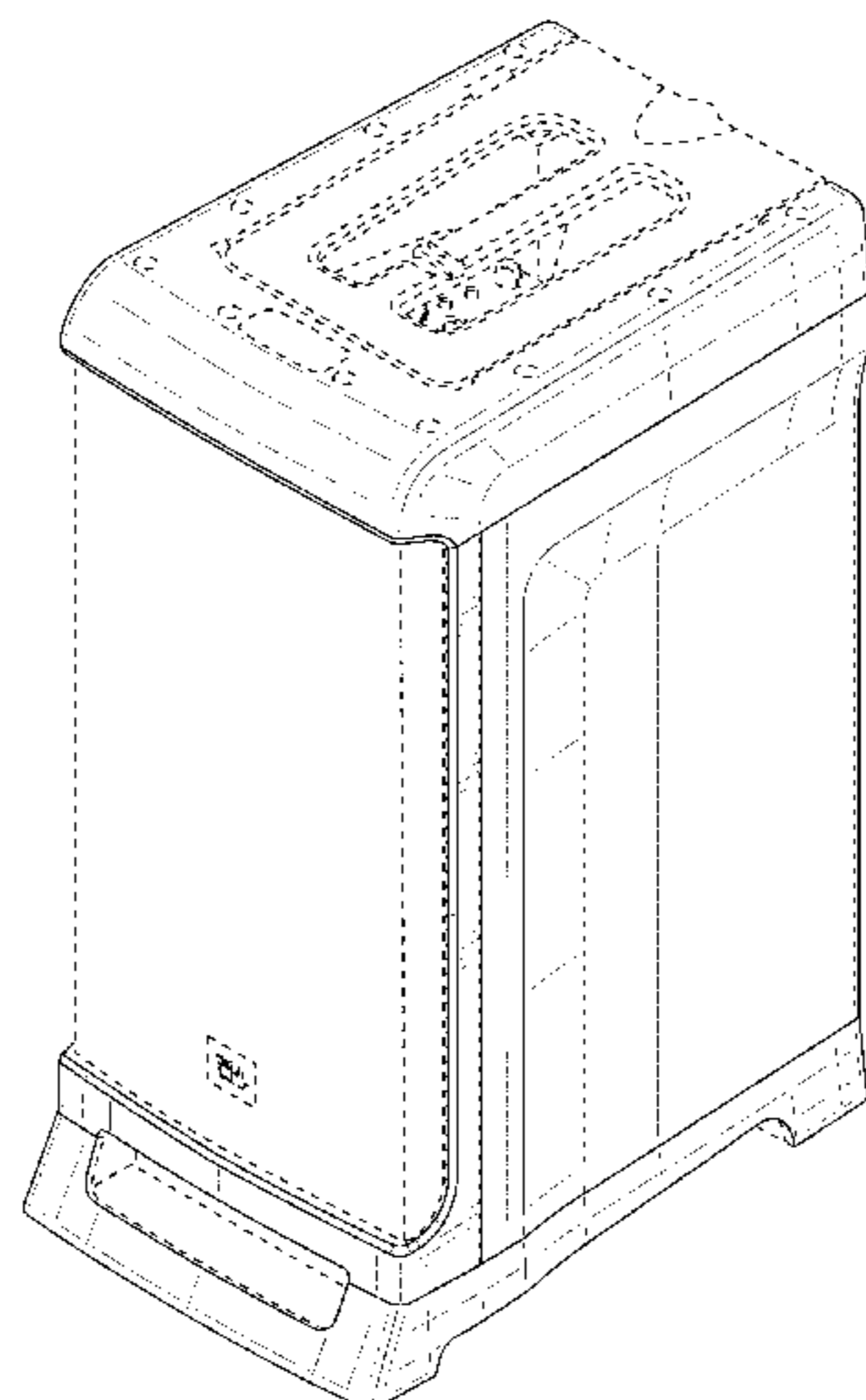
(57) **CLAIM**

The ornamental design for a loudspeaker system, as shown and described.

DESCRIPTION

FIG. 1 is a top perspective view of a loudspeaker system showing our new design;
FIG. 2 is a front elevational view thereof;
FIG. 3 is a rear elevational view thereof;
FIG. 4 is a side elevational view of one side thereof;
FIG. 5 is a side elevational view of the opposite side thereof;
FIG. 6 is a top plan view thereof;
FIG. 7 is a bottom plan view thereof; and,
FIG. 8 is a top perspective view thereof, the broken lines of the extension and column tweeter mounted on the main housing forming no part of claimed design.
The broken lines immediately adjacent the shaded areas represent the bounds of the claimed design, while all other broken lines are directed to environment and are for illustrative purposes only; the broken lines form no part of the claimed design.

1 Claim, 8 Drawing Sheets



(56)

References Cited

U.S. PATENT DOCUMENTS

D362,667 S 9/1995 Sohn
 D390,234 S 2/1998 Ito et al.
 D392,976 S 3/1998 Fenner et al.
 D397,115 S 8/1998 Gremchuck
 D399,509 S 10/1998 Renk
 D401,583 S * 11/1998 Shin D14/214
 6,035,962 A * 3/2000 Lin H04R 1/02
 181/148
 D422,593 S 4/2000 Ito et al.
 D431,815 S 10/2000 Masui
 D432,117 S * 10/2000 Miyazaki D14/214
 D439,238 S 3/2001 Mackie et al.
 D451,494 S 12/2001 Oikawa
 D468,725 S * 1/2003 Nugent D14/214
 D471,891 S 3/2003 Oikawa
 D473,212 S * 4/2003 Nugent D14/214
 6,561,311 B2 5/2003 Chuang
 D475,991 S 6/2003 Hisatsune
 D478,065 S * 8/2003 Bolton D14/214
 D497,899 S 11/2004 Weikel et al.
 D518,817 S 4/2006 Ching
 D525,615 S 7/2006 Tanaka et al.
 D529,019 S * 9/2006 Lim D14/172
 D534,159 S * 12/2006 Whitehouse D14/214
 D546,319 S * 7/2007 Hakoda D14/214
 D547,302 S * 7/2007 Schmieta D14/214

D552,492 S 10/2007 Wang
 D555,634 S * 11/2007 Kim D14/214
 D555,635 S * 11/2007 Kim D14/214
 D558,737 S * 1/2008 Poandl D14/172
 D562,307 S 2/2008 Warden
 D575,800 S * 8/2008 Kusano D14/496
 D582,892 S 12/2008 Baird et al.
 D583,802 S * 12/2008 Pincek D14/214
 D586,783 S * 2/2009 Lui D14/214
 D609,216 S 2/2010 Davies et al.
 D611,452 S 3/2010 Warden et al.
 D628,979 S * 12/2010 Yagi D14/214
 D654,473 S * 2/2012 Paddock D14/214
 D660,286 S 5/2012 Lee et al.
 D682,250 S * 5/2013 Mattioli D14/172
 D695,269 S 12/2013 Carpenter et al.
 D695,707 S * 12/2013 Szymanski D14/214
 D714,259 S * 9/2014 Galler D14/221
 D718,740 S * 12/2014 Savage D14/210
 8,929,579 B2 * 1/2015 Kalyuzhny H04R 3/00
 381/332
 D733,680 S * 7/2015 Nugent D14/214
 D778,872 S 2/2017 Yang et al.
 D797,078 S * 9/2017 Nugent D14/214
 D800,696 S * 10/2017 Tubis D14/214
 D800,697 S * 10/2017 Fischer D14/214
 D805,499 S * 12/2017 Crolla D14/214
 D806,671 S * 1/2018 Kalyuzhny D14/204

* cited by examiner

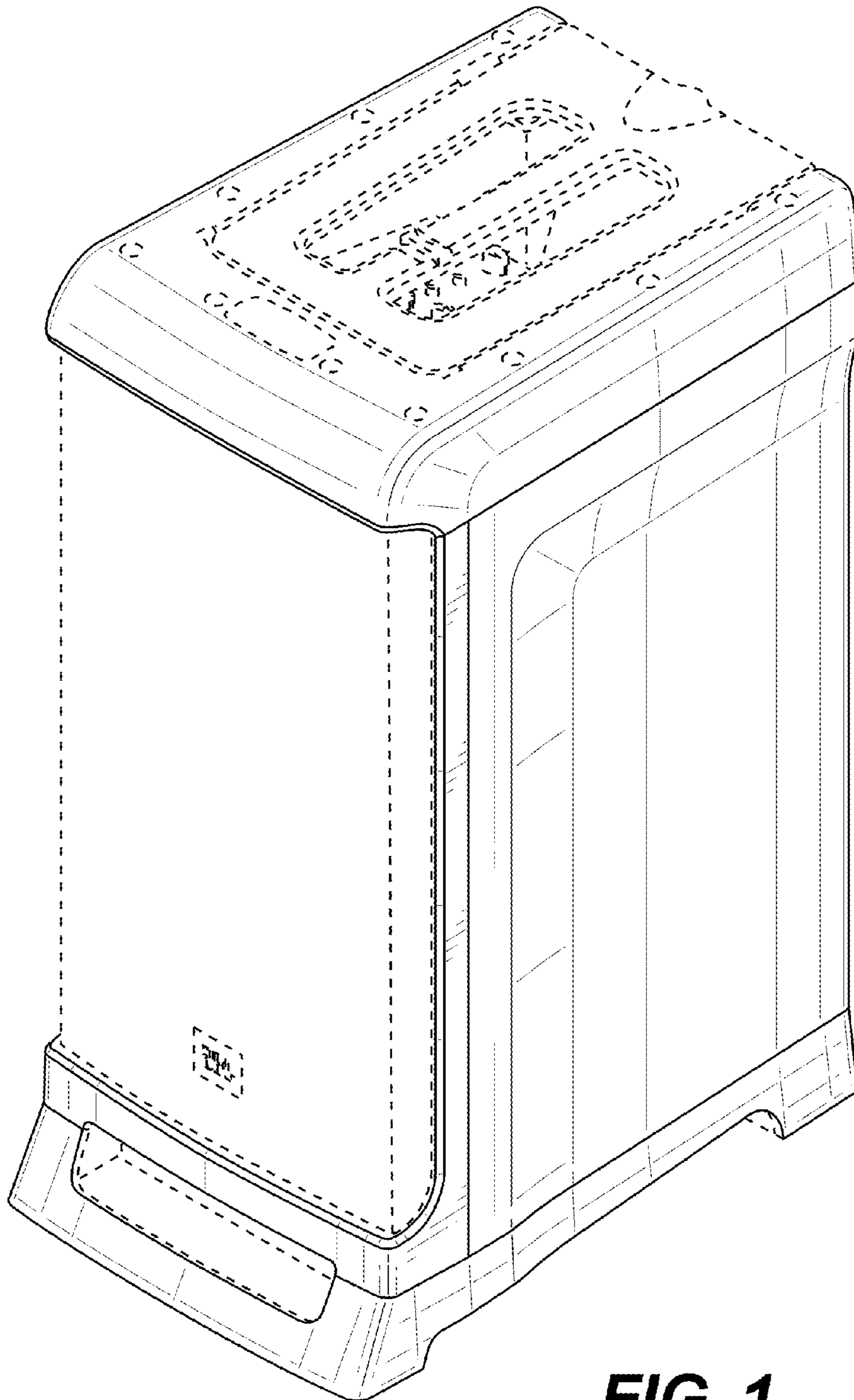


FIG. 1

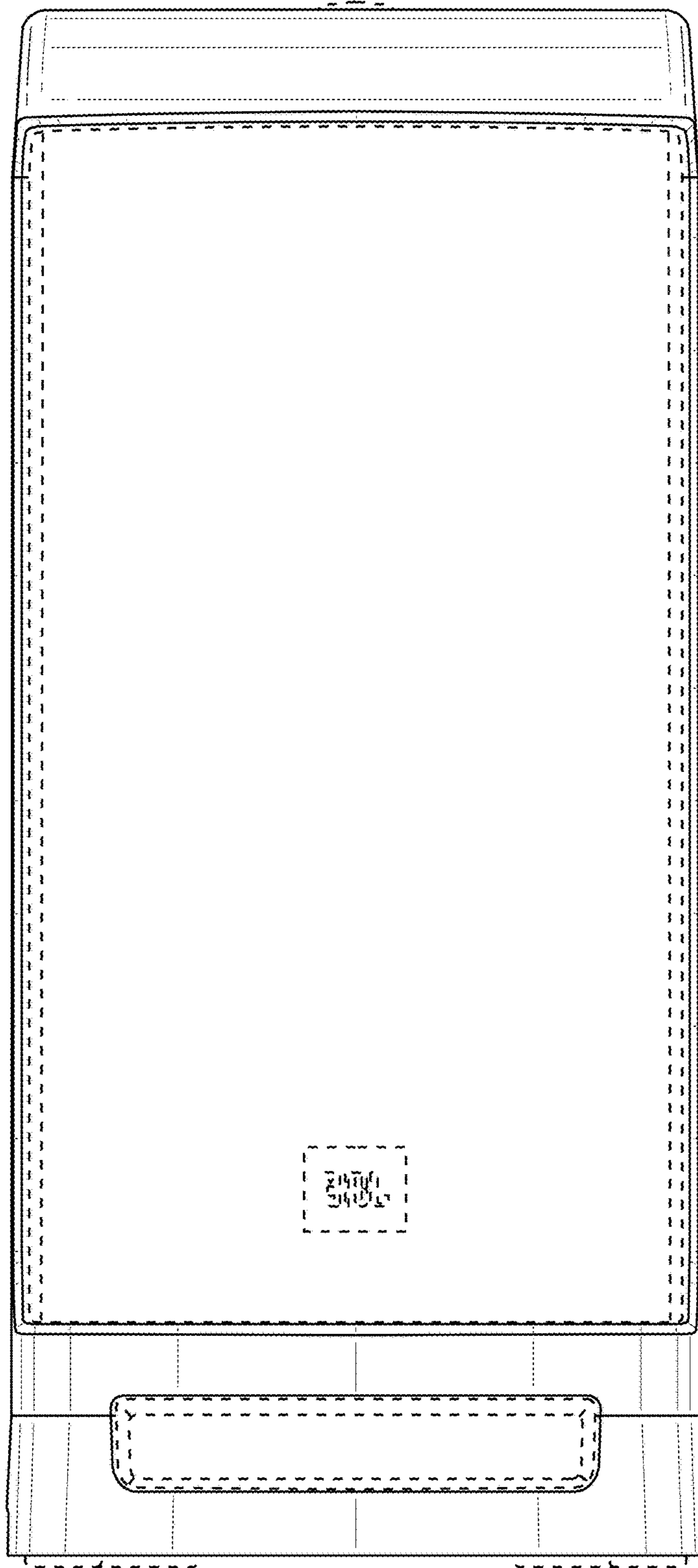


FIG. 2

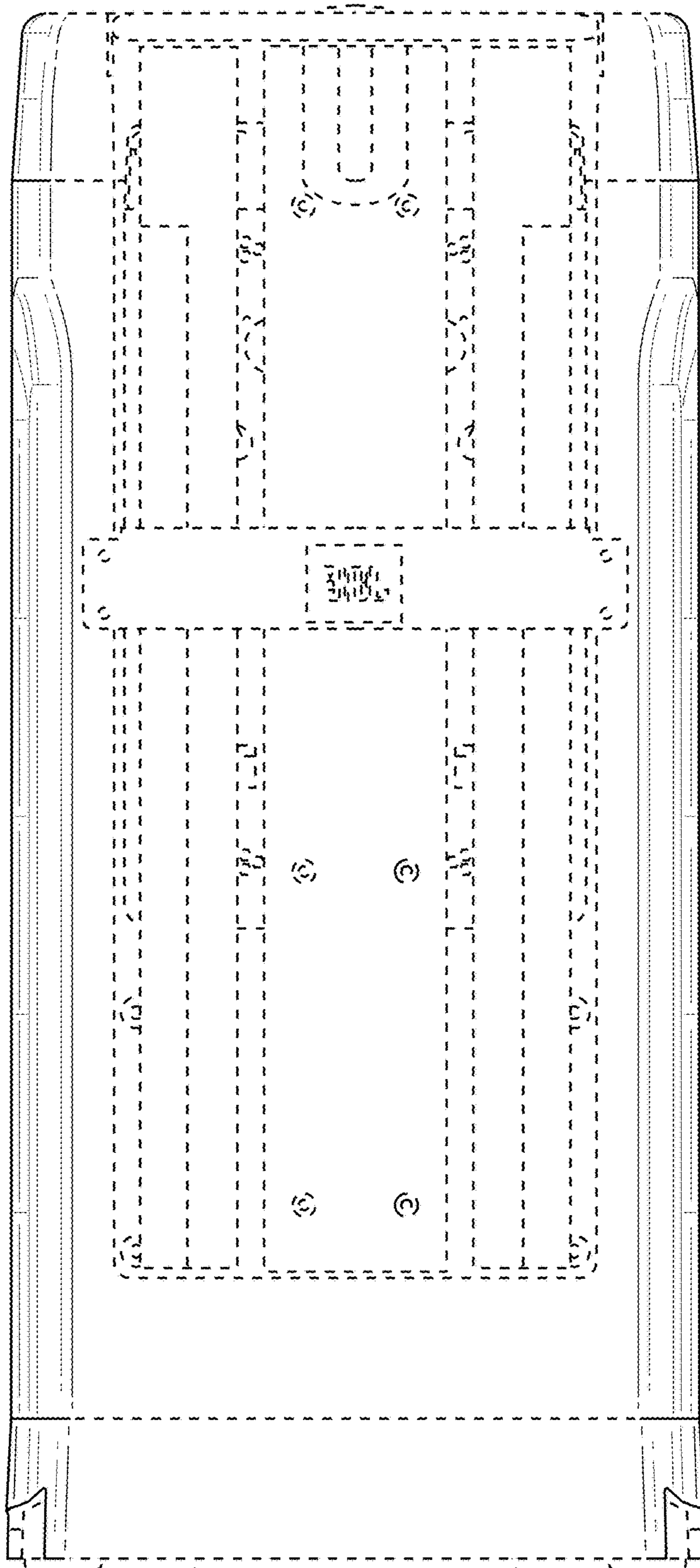


FIG. 3

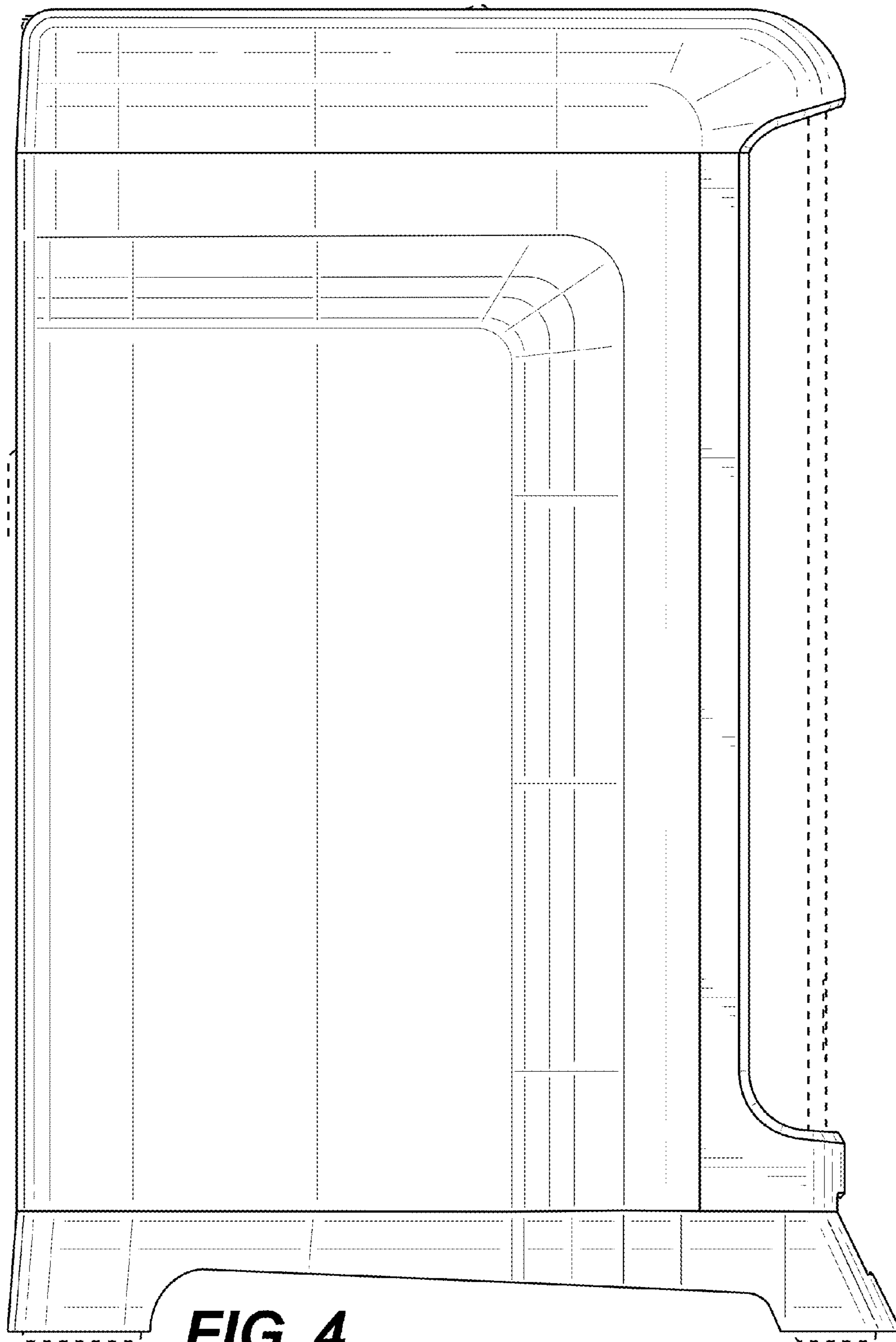


FIG. 4

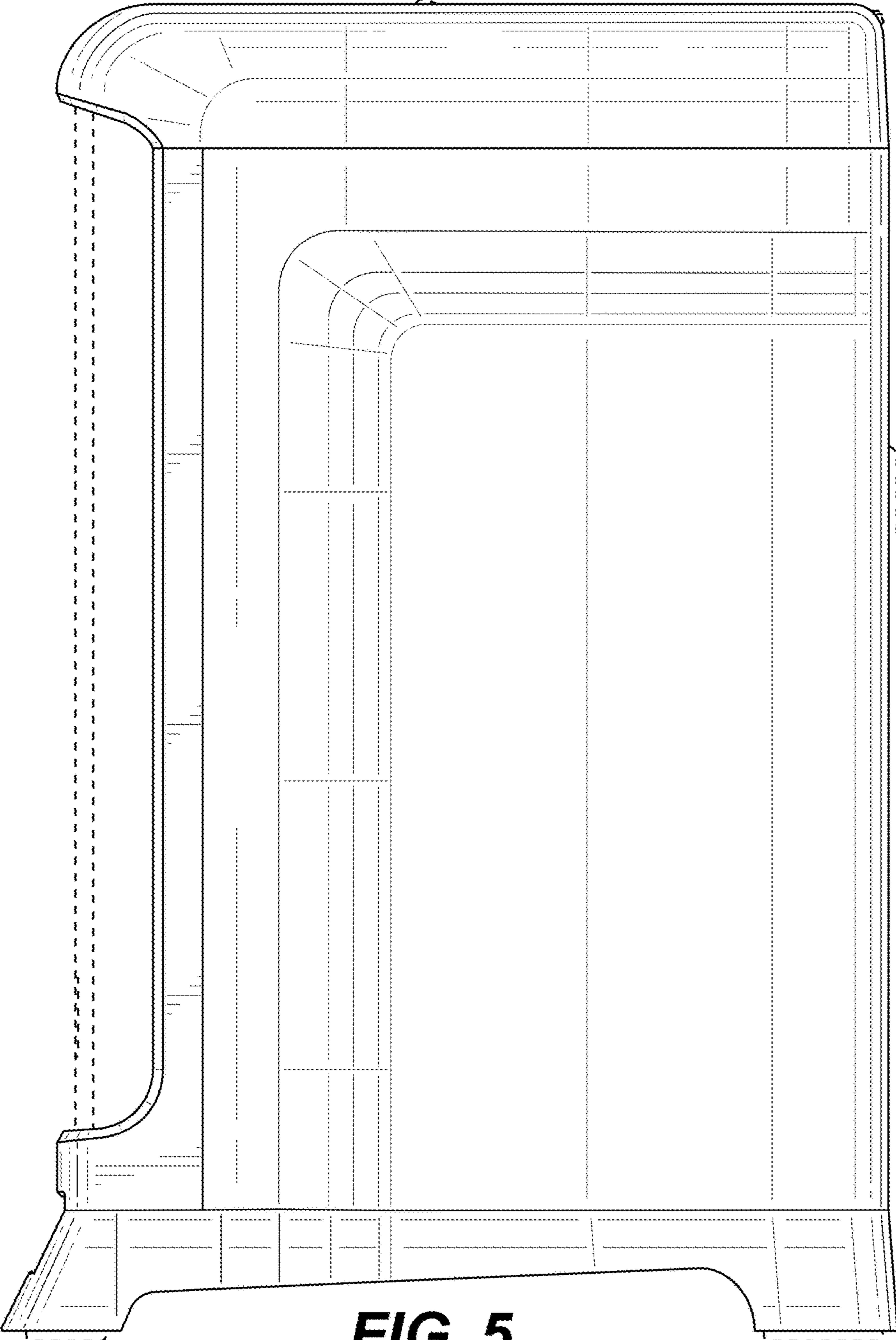


FIG. 5

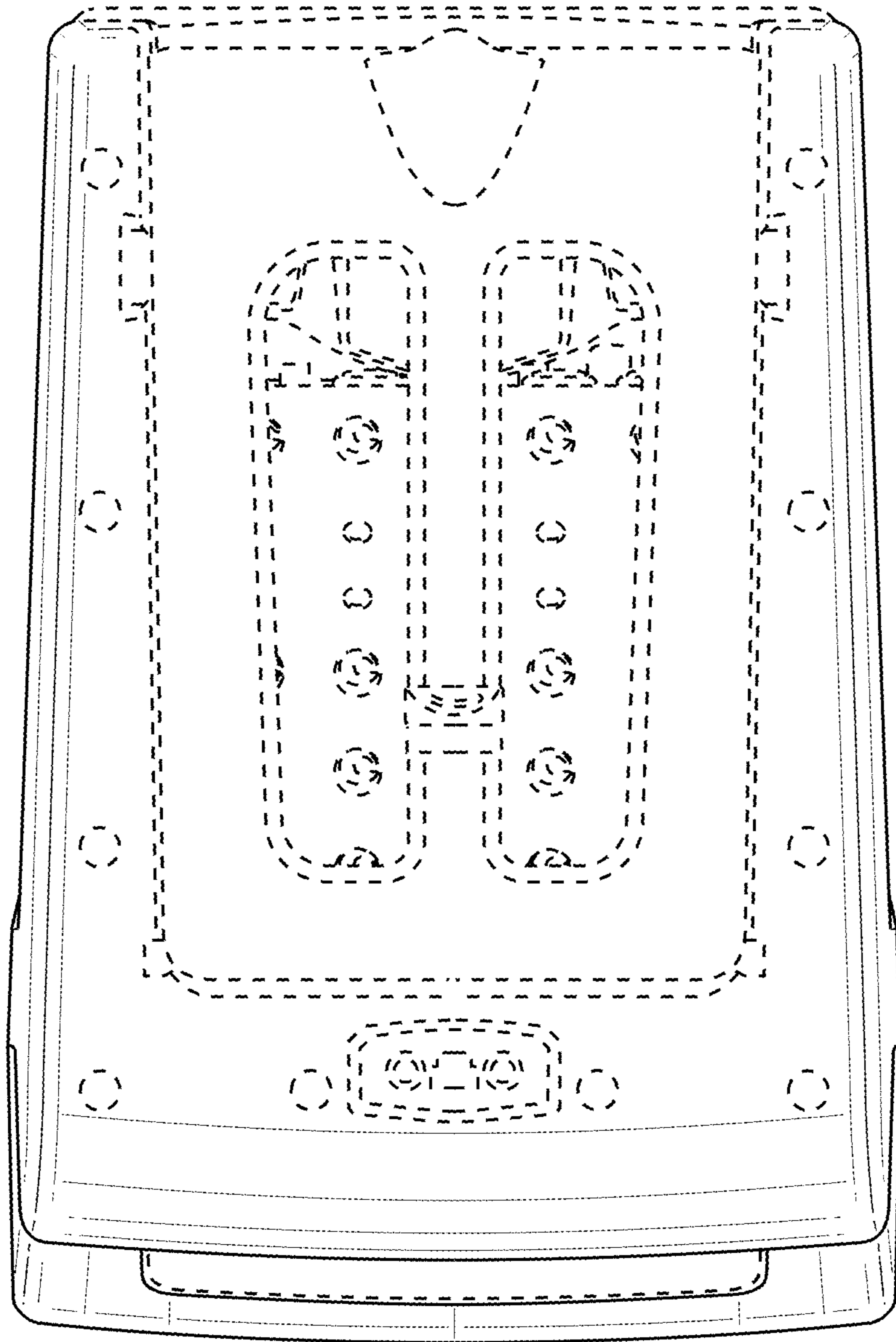


FIG. 6

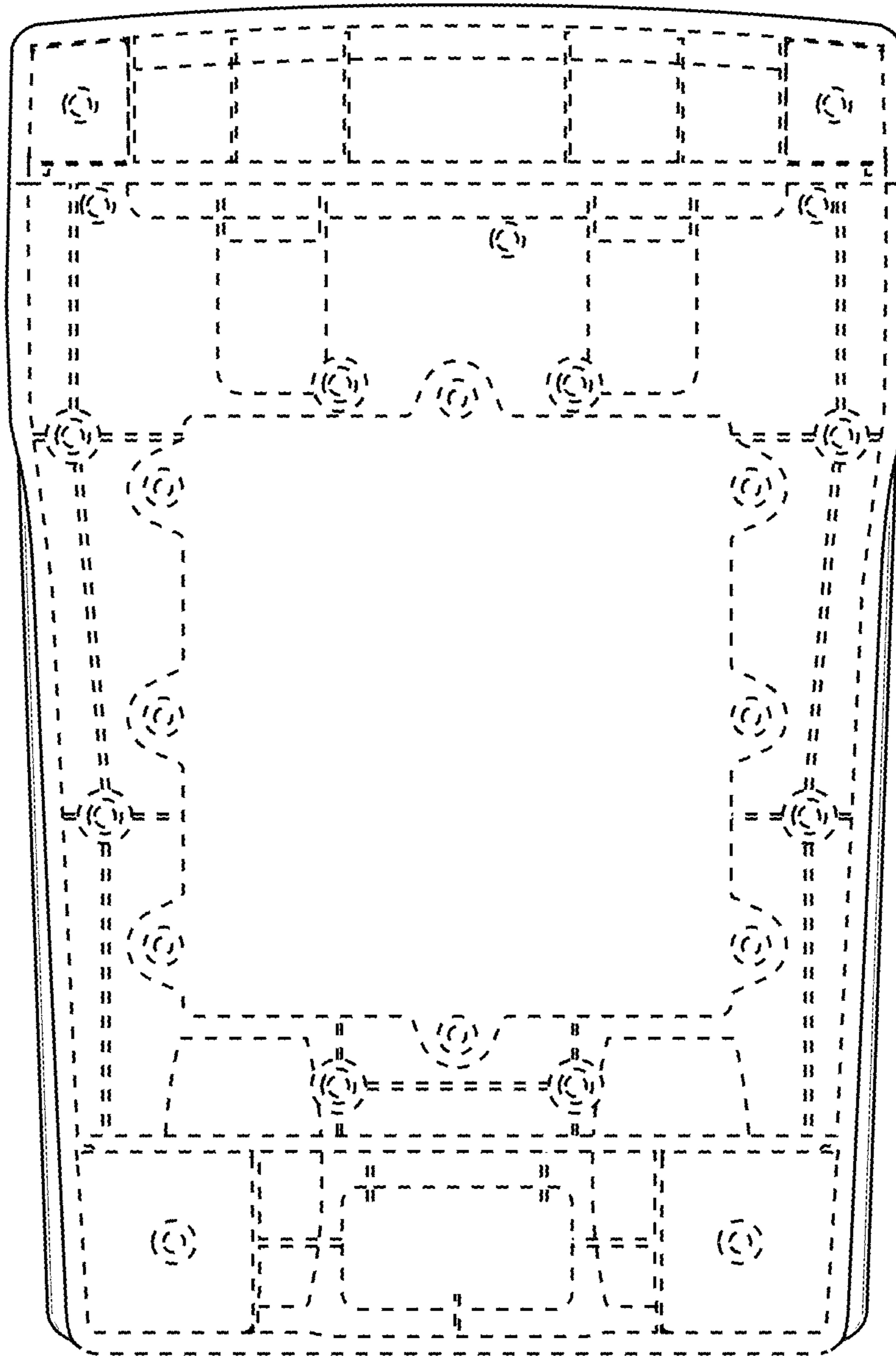


FIG. 7

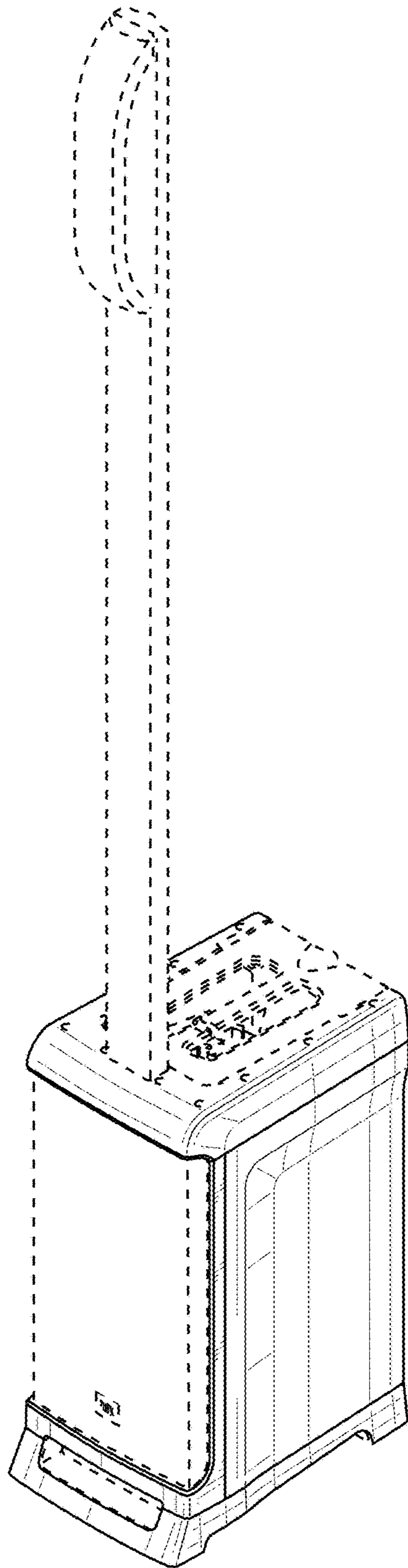


FIG. 8