



US00D832233S

(12) **United States Design Patent** (10) **Patent No.:** **US D832,233 S**  
**Brunner et al.** (45) **Date of Patent:** **\*\* Oct. 30, 2018**

- (54) **AUDIO LISTENING SYSTEM**
- (71) Applicant: **Apple Inc.**, Cupertino, CA (US)
- (72) Inventors: **Robert Brunner**, San Francisco, CA (US); **Gregoire Vandebussche**, San Francisco, CA (US); **Christopher Fruhauf**, San Anselmo, CA (US)
- (73) Assignee: **Apple Inc.**, Cupertino, CA (US)
- (\*\*) Term: **15 Years**
- (21) Appl. No.: **29/593,122**
- (22) Filed: **Feb. 6, 2017**

**Related U.S. Application Data**

- (60) Continuation of application No. 29/526,277, filed on May 7, 2015, now Pat. No. Des. 778,255, which is a continuation of application No. 29/488,470, filed on Apr. 18, 2014, now Pat. No. Des. 729,198, which is a division of application No. 29/475,634, filed on Dec. 4, 2013, now Pat. No. Des. 704,163, which is a continuation of application No. 29/417,832, filed on Apr. 9, 2012, now Pat. No. Des. 696,226, which is a division of application No. 29/382,418, filed on Jan. 3, 2011, now Pat. No. Des. 657,345.
- (51) **LOC (11) Cl.** ..... **14-01**
- (52) **U.S. Cl.**  
USPC ..... **D14/205**
- (58) **Field of Classification Search**  
USPC ..... D14/205; D29/112; 2/209, 423, 411, 2/412; 128/864, 866, 867; 181/128, 129, 181/130; 379/430, 431; 381/380, 381, 381/374, 74, 187, 183, 158; 455/90.3, 455/575.1, 569.1  
CPC .... H04R 1/1066; H04R 1/1016; H04R 25/00; H04R 5/033; H04R 5/0335; H04R 1/10  
See application file for complete search history.

(56) **References Cited**  
U.S. PATENT DOCUMENTS

1,066,511 A	7/1913	Markoff
1,606,165 A	11/1926	Glenn
2,025,385 A	12/1935	Bertram et al.
2,149,341 A	3/1939	Harrison
2,437,049 A	3/1948	Salisbury et al.
(Continued)		

FOREIGN PATENT DOCUMENTS

GB	2072035 B	2/1984
JP	D1318386	5/1986
(Continued)		

OTHER PUBLICATIONS

Office Action dated Dec. 10, 2010 for Russian Patent Application No. 2010501890.

(Continued)

*Primary Examiner* — Paula Allen Greene  
(74) *Attorney, Agent, or Firm* — Sterne, Kessler, Goldstein & Fox P.L.L.C.

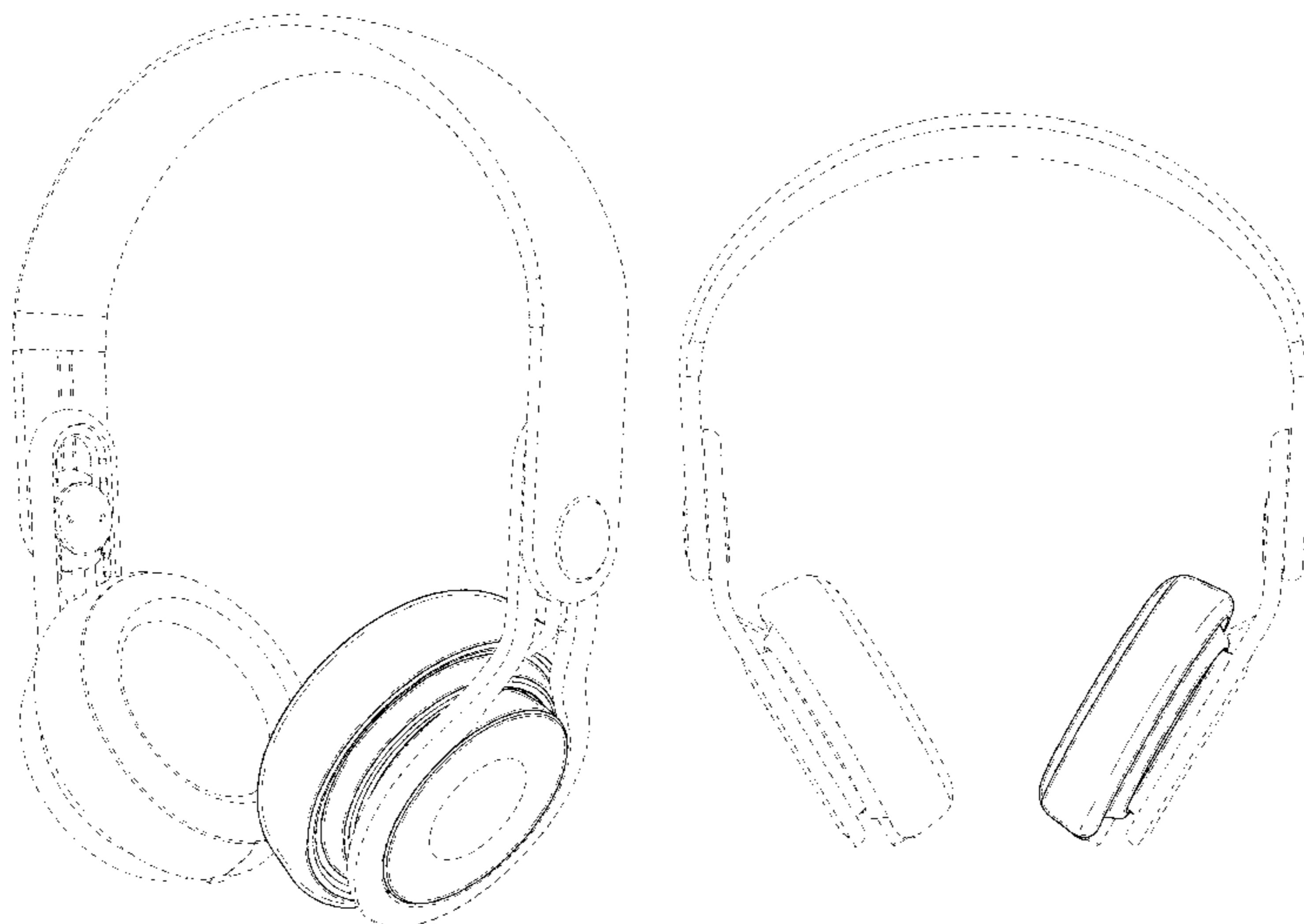
(57) **CLAIM**

The ornamental design for an audio listening system, as shown and described.

**DESCRIPTION**

FIG. 1 is a front perspective view of an audio listening system showing the claimed design; FIG. 2 is a front view thereof; FIG. 3 is a right side view thereof; FIG. 4 is a left side view thereof; FIG. 5 is a rear view thereof; FIG. 6 is a top view thereof; and, FIG. 7 is a bottom view thereof. The broken lines in the figures show portions of the audio listening system that form no part of the claimed design.

**1 Claim, 4 Drawing Sheets**



(56)

References Cited

U.S. PATENT DOCUMENTS

2,481,387 A	9/1949	Bonecutter		D563,995 S	3/2008	Deguchi et al.	
2,487,787 A	11/1949	Brown		D570,825 S	6/2008	Schultz et al.	
2,653,193 A	9/1953	Anderson		D582,890 S	12/2008	Koza	
2,689,909 A	9/1954	Dazley		D584,715 S	1/2009	Brennwald	
2,993,962 A	7/1961	Hothem		D585,870 S	2/2009	Zheng	
3,104,398 A	9/1963	Palmer		D585,871 S	2/2009	Lee	
3,219,302 A	11/1965	Smith		D585,872 S	2/2009	Lee	
D203,677 S	2/1966	Spilman		D588,098 S	3/2009	Kurihara	
3,245,547 A	4/1966	Felkay		D588,100 S	3/2009	Densho	
3,943,574 A	3/1976	Yamaguchi et al.		D591,263 S	4/2009	Shimizu	
D244,300 S	5/1977	Besasie		D592,182 S	5/2009	Sanguinetti	
4,048,453 A	9/1977	Seidel		D592,640 S	5/2009	Tkachuk	
4,069,512 A	1/1978	Palmaer		D593,995 S	6/2009	Shimizu	
4,173,715 A	11/1979	Gosman		D600,674 S	9/2009	Brennwald	
D254,183 S	2/1980	Doodson		D603,370 S	11/2009	Suzuki	
D254,876 S	5/1980	Reitenga		D603,371 S	11/2009	Boateng et al.	
4,437,538 A *	3/1984	Ohlsson .....	A61F 11/14 128/867	D616,865 S	6/2010	Marchand	
4,571,746 A	2/1986	Gorike		D617,769 S	6/2010	Birger	
4,609,786 A	9/1986	Omoto et al.		7,735,154 B2	6/2010	Gellis et al.	
4,634,816 A	1/1987	O'Malley et al.		D620,474 S *	7/2010	Komiyama .....	D14/205
4,875,233 A	10/1989	Derhaag		D625,705 S	10/2010	Ohuri et al.	
D313,092 S	12/1990	Nilsson		D632,668 S	2/2011	Brunner et al.	
5,018,599 A	5/1991	Dohi et al.		D633,896 S	3/2011	Kondo	
5,035,005 A	7/1991	Hung		D635,959 S	4/2011	Hutchieson	
D328,074 S	7/1992	Yamazaki et al.		D637,176 S	5/2011	Brunner et al.	
D328,461 S *	8/1992	Daido .....	D14/205	D637,998 S	5/2011	Brunner et al.	
D338,010 S	8/1993	Yamatogi		D637,999 S	5/2011	Brunner et al.	
D342,071 S	12/1993	Wright et al.		D638,000 S	5/2011	Hoggarth	
D351,172 S	10/1994	Nakamura et al.		D639,776 S	6/2011	Arimoto	
D353,817 S *	12/1994	Wada .....	D14/205	D641,725 S	7/2011	Chong	
D353,821 S	12/1994	Hammer et al.		D648,330 S	11/2011	Fischer	
D358,389 S	5/1995	Isono		D652,017 S	1/2012	Groves	
D375,825 S	11/1996	Whidden		D652,405 S	1/2012	Lee	
D403,128 S	12/1998	Scanlon et al.		D652,406 S	1/2012	Lee	
D420,356 S	2/2000	Suzuki		D654,471 S	2/2012	Fischer	
D422,592 S	4/2000	Deguchi		D654,472 S	2/2012	Fischer	
D427,382 S	6/2000	Leight et al.		D657,344 S	4/2012	Brunner et al.	
6,081,604 A	6/2000	Hikichi et al.		D657,345 S	4/2012	Brunner et al.	
D430,140 S	8/2000	Roman		D657,776 S	4/2012	Lee et al.	
6,141,894 A	11/2000	Thalenfeld et al.		D660,823 S	5/2012	Hardi et al.	
D435,249 S	12/2000	Yasutomi		D660,824 S	5/2012	Hardi et al.	
6,163,615 A	12/2000	Callahan		D660,826 S	5/2012	Brunner et al.	
6,195,839 B1	3/2001	Patterson et al.		D662,490 S	6/2012	McSweyn	
D457,512 S	5/2002	Yoneda		D663,716 S	7/2012	Hardi et al.	
6,449,806 B1	9/2002	Engelhard et al.		D668,633 S	10/2012	Enquist	
D468,723 S	1/2003	Pham		D671,914 S	12/2012	Lee et al.	
6,611,963 B2	9/2003	Woo et al.		D673,520 S	1/2013	Tan	
D484,485 S	12/2003	Matsuoka		D674,767 S	1/2013	Brunner et al.	
6,654,966 B2	12/2003	Rolla et al.		D689,463 S	9/2013	Hardi et al.	
D484,868 S	1/2004	Suzuki		D695,263 S	12/2013	Mogili	
6,678,897 B2	1/2004	Lindgren		D696,226 S	12/2013	Brunner et al.	
D491,163 S	6/2004	Green		D697,047 S *	1/2014	Yoshida .....	D14/205
D502,938 S	3/2005	Tokioka		D702,210 S	4/2014	Birger	
D504,883 S	5/2005	Jacobson et al.		D704,163 S	5/2014	Brunner et al.	
D512,381 S	12/2005	Sirichai et al.		D707,200 S	6/2014	Yang	
D512,708 S	12/2005	Harris, Jr. et al.		D709,860 S	7/2014	Brunner et al.	
D512,981 S	12/2005	Jacobson et al.		D716,760 S	11/2014	Brunner et al.	
D517,043 S	3/2006	Jacobson et al.		D720,721 S	1/2015	Lu	
D519,497 S	4/2006	Kamiyama		D722,590 S *	2/2015	Lu .....	D14/205
7,072,483 B2	7/2006	Lenhard-Backhaus		D722,591 S *	2/2015	Son .....	D14/205
D532,407 S	11/2006	Motoishi		D724,560 S *	3/2015	Galler .....	D14/205
D534,155 S	12/2006	Obata		D729,198 S *	5/2015	Brunner .....	H04R 5/033 D14/205
D534,156 S	12/2006	Obata		9,084,055 B2	7/2015	Brunner et al.	
7,172,052 B2	2/2007	Lenhard-Backhaus		D778,255 S *	2/2017	Brunner .....	H04R 5/033 D14/205
D539,788 S	4/2007	Thompson		2003/0182713 A1	10/2003	Rolla	
D540,301 S	4/2007	Obata		2004/0216946 A1	11/2004	Lenhard-Backhaus	
D540,303 S	4/2007	Rausch et al.		2005/0053255 A1	3/2005	Harris et al.	
D541,255 S	4/2007	Taylor		2005/0226452 A1	10/2005	Amae et al.	
D541,256 S	4/2007	Rausch et al.		2006/0001307 A1	1/2006	Embach	
D541,257 S	4/2007	Thursfield		2006/0062417 A1	3/2006	Tachikawa	
D552,077 S	10/2007	Brunner et al.		2006/0104471 A1	5/2006	Tsunoda et al.	
D557,684 S	12/2007	Pundsack		2008/0056525 A1	3/2008	Fujiwara et al.	
D560,654 S	1/2008	Feng		2009/0220118 A1	9/2009	Meier et al.	
D563,382 S *	3/2008	Wikel .....	D14/205	2010/0128884 A1	5/2010	Sapiejewski et al.	



(56)

**References Cited**

U.S. PATENT DOCUMENTS

2010/0284558 A1 11/2010 Kimura et al.  
2011/0206216 A1 8/2011 Brunner et al.  
2014/0211976 A1 7/2014 Brunner et al.

FOREIGN PATENT DOCUMENTS

JP D1406347 10/1987  
JP D1430542 3/1988  
KR 30-0476152 1/2008  
WO WO 2007103561 A2 9/2007  
WO WO 2012094176 A2 7/2012

OTHER PUBLICATIONS

Search Report dated Mar. 31, 2011 for Taiwan patent Application No. 099303306.

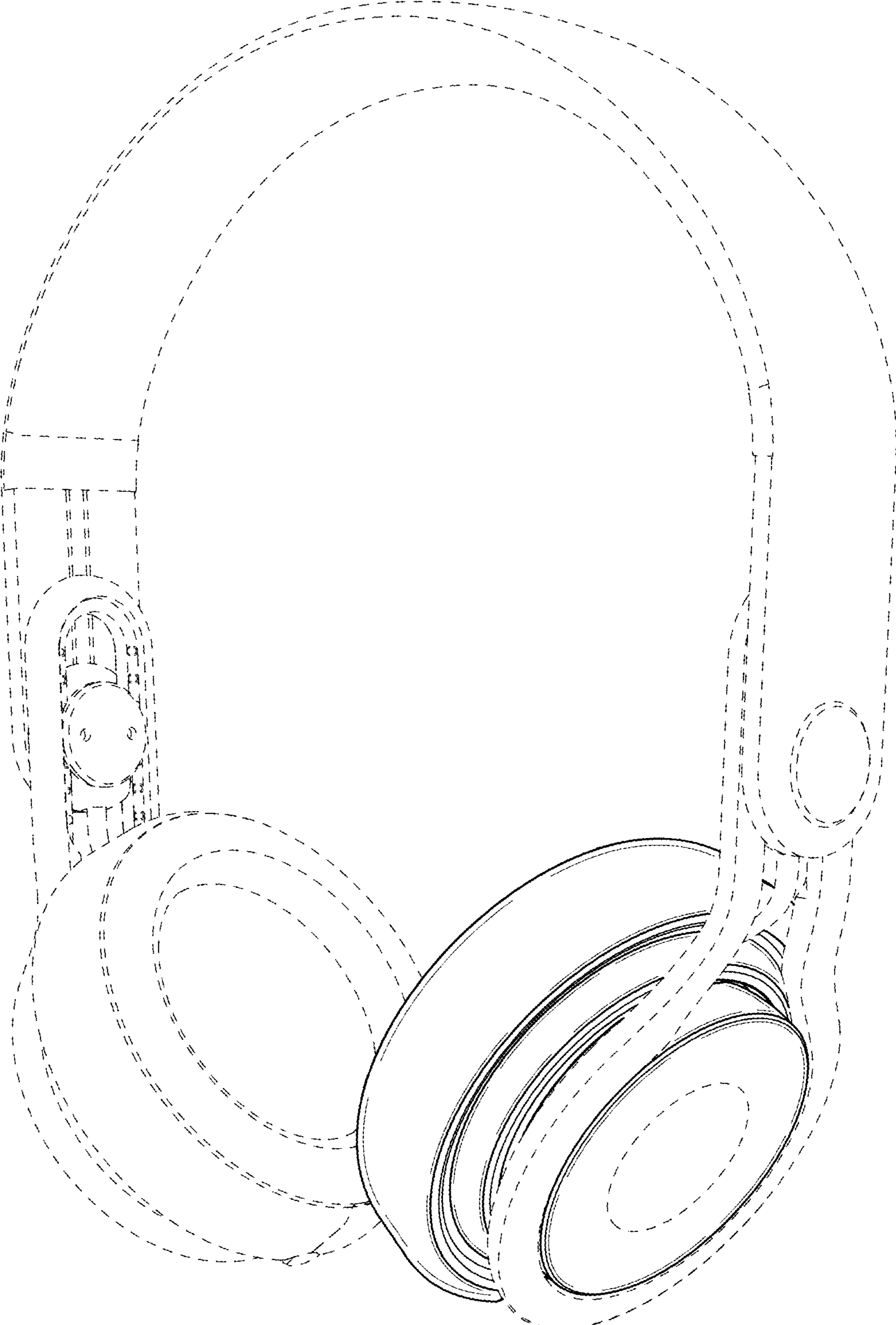
Search Report and Written Opinion for PCT Application No. PCT/US11/67045 dated Sep. 27, 2012.

Taiwan Office Action for Taiwan Application No. 101303990 dated Aug. 26, 2013.

Taiwan Office Action for Taiwan Application No. 101301117 dated Aug. 26, 2013.

Taiwan Office Action for Taiwan Application No. 102302000 dated Aug. 26, 2013.

\* cited by examiner



**FIG. 1**

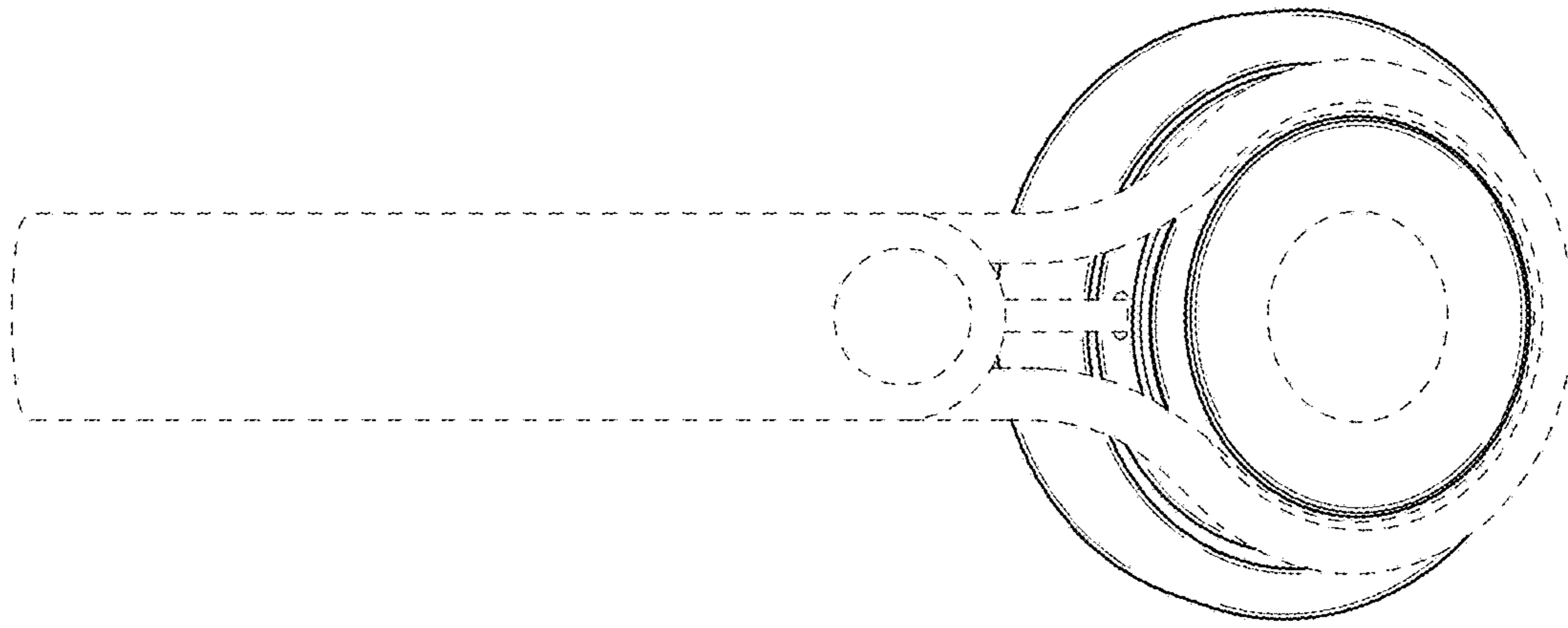


FIG. 3

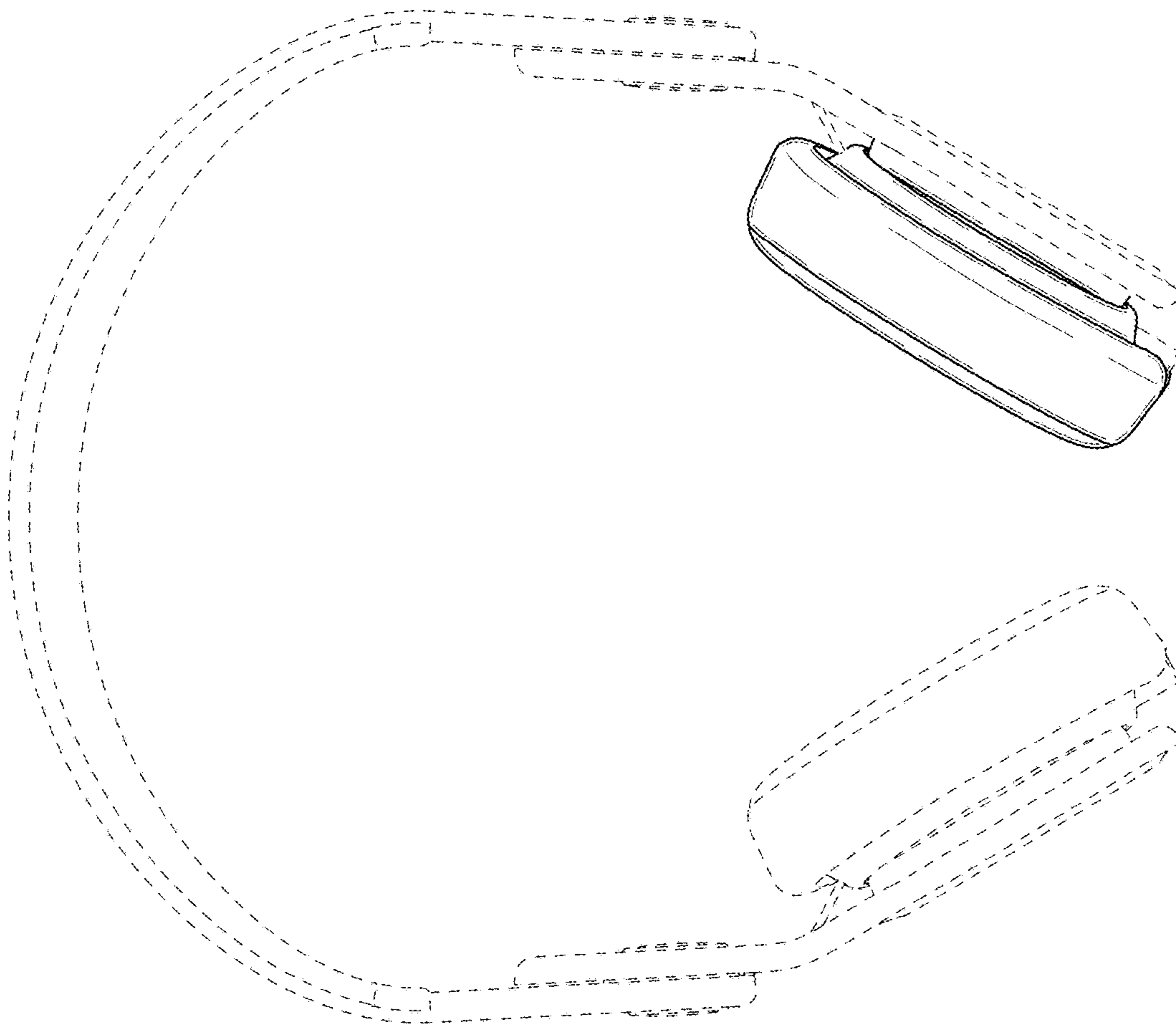


FIG. 2

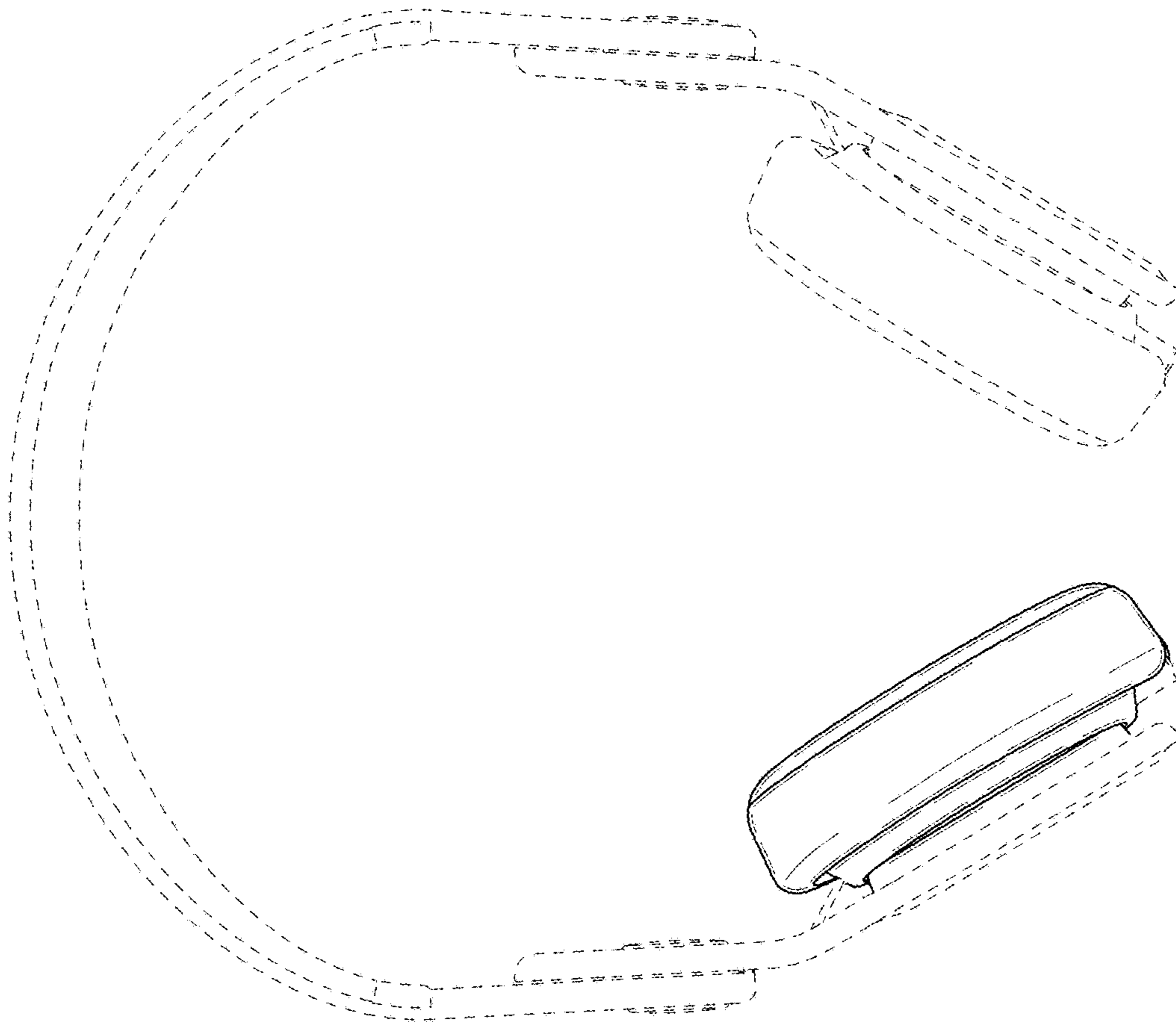


FIG. 5

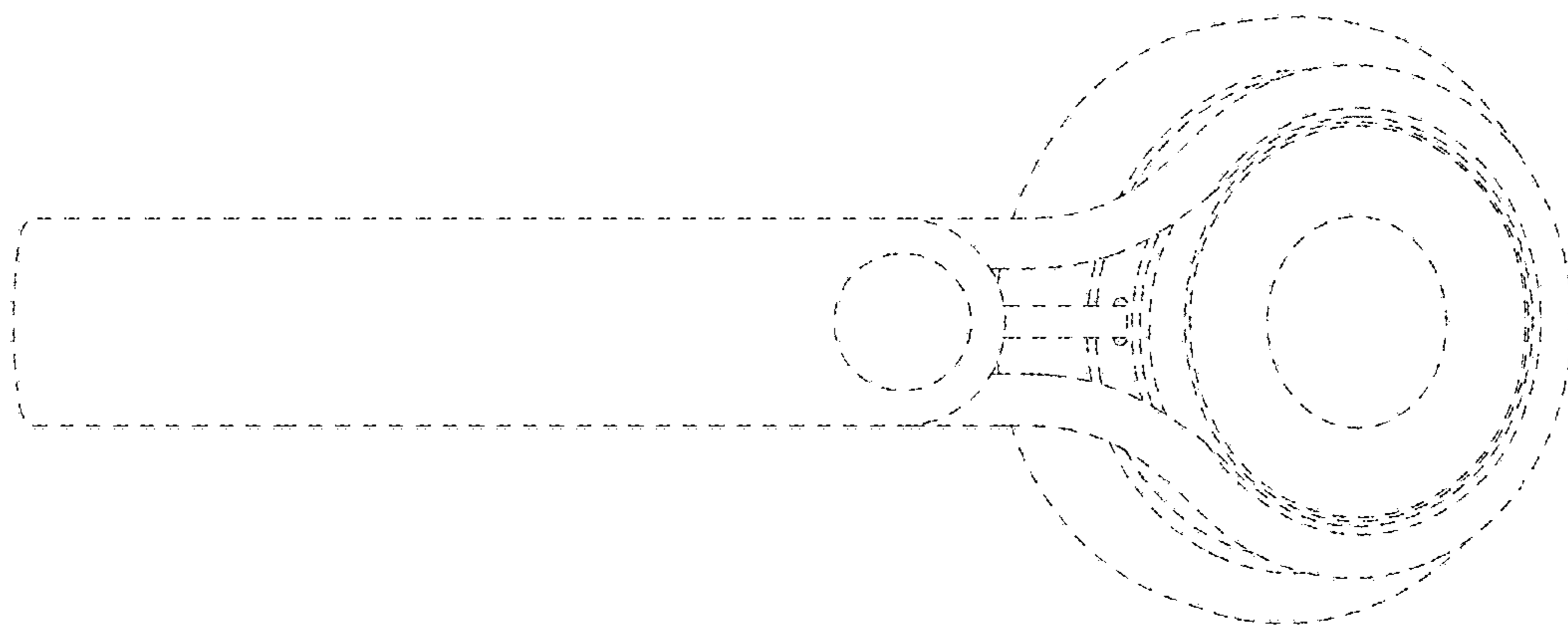
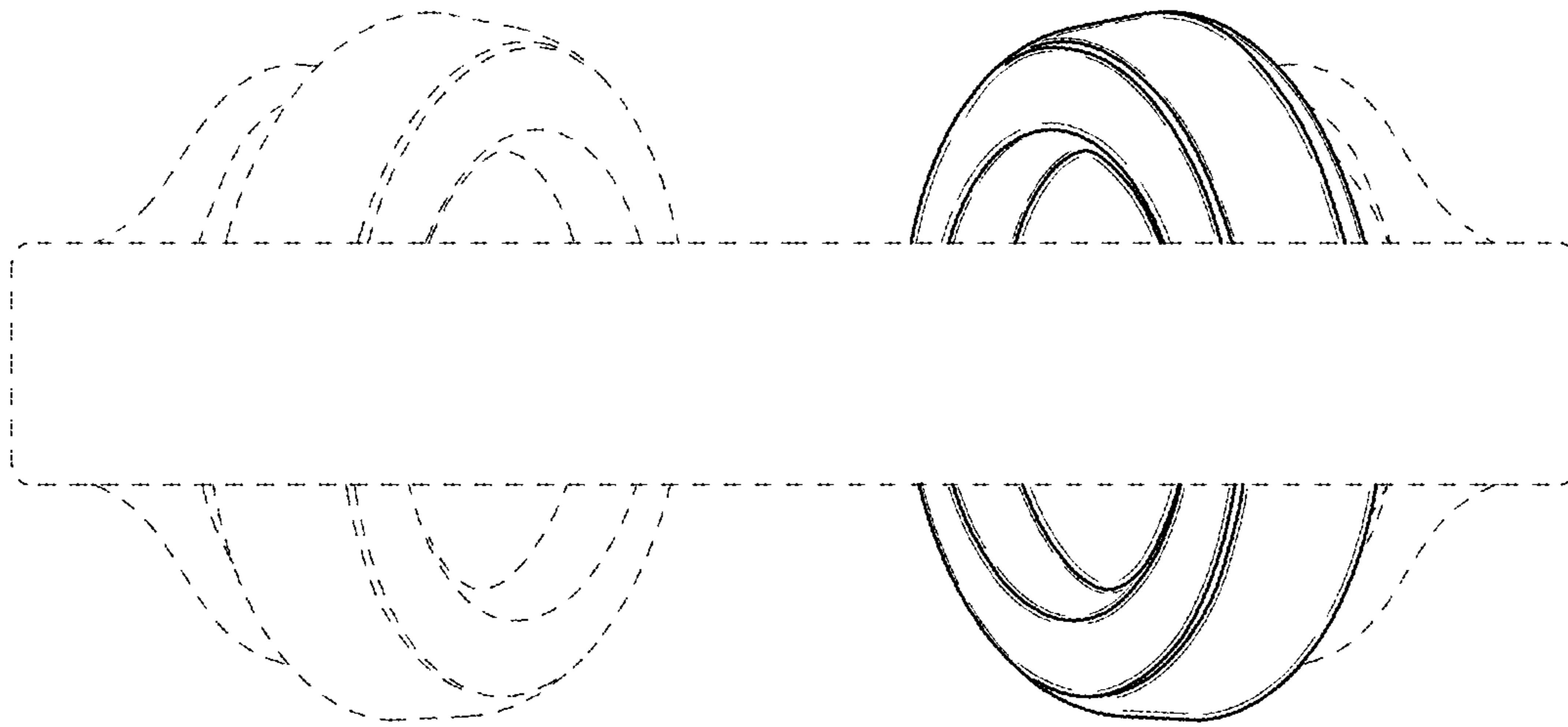
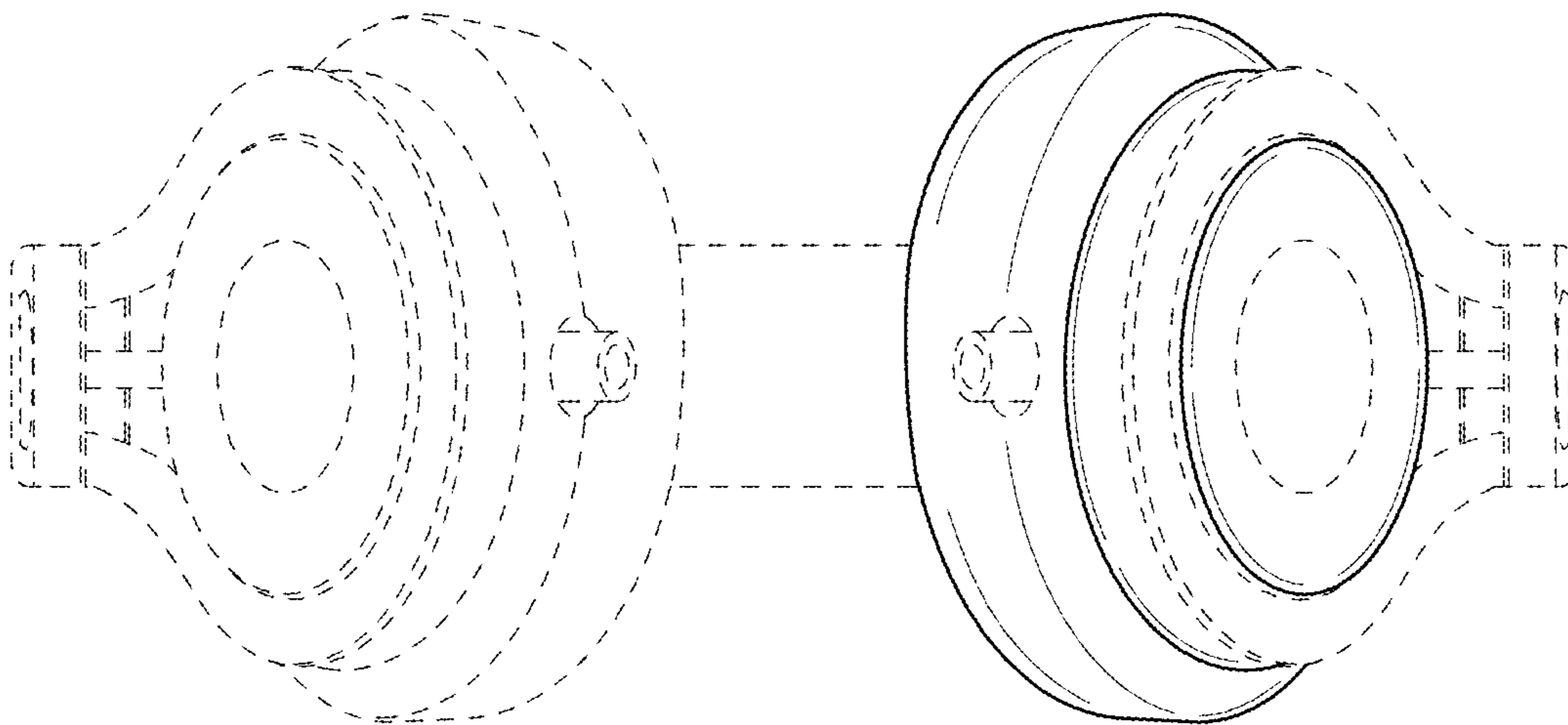


FIG. 4



**FIG. 6**



**FIG. 7**