



US00D832232S

(12) **United States Design Patent**
Czaniecki et al.

(10) **Patent No.:** **US D832,232 S**
(45) **Date of Patent:** **** Oct. 30, 2018**

(54) **HEADPHONE**

(71) Applicant: **Harman International Industries, Incorporated, Northridge, CA (US)**

(72) Inventors: **Rafal Czaniecki, Shenzhen (CN); Jinwon Yook, Shenzhen (CN)**

(73) Assignee: **Harman International Industries, Incorporated, Northridge, CA (US)**

(**) Term: **15 Years**

(21) Appl. No.: **29/576,152**

(22) Filed: **Aug. 31, 2016**

(51) **LOC (11) Cl.** **14-01**

(52) **U.S. Cl.**
USPC **D14/205**

(58) **Field of Classification Search**
USPC D14/206, 205, 223, 372; D24/174;
181/129, 130, 135; 379/430, 431;
381/380, 381, 322, 328, 329, 323;
455/90.3, 575.1, 569.1; D8/322, 306, 307
CPC H04R 1/1066; H04R 1/10; H04R 1/1091;
G06F 1/16
See application file for complete search history.

(56) **References Cited**

U.S. PATENT DOCUMENTS

- 2,360,027 A * 10/1944 Werner H04M 1/05
379/430
- 3,621,156 A * 11/1971 Kliewer H04M 1/05
379/430
- 4,504,087 A * 3/1985 Pennington E05B 1/0053
16/413
- D299,335 S * 1/1989 Wiegel D14/205
- 4,893,344 A * 1/1990 Tragardh H04M 1/05
379/430
- D329,189 S * 9/1992 Beck D8/322
- D337,119 S * 7/1993 Taniguchi D14/223

- D357,921 S * 5/1995 Ming-Chin D14/223
- 5,544,253 A * 8/1996 Nagayoshi H04R 1/1016
379/430
- 5,787,166 A * 7/1998 Ullman H04M 1/05
379/430
- D430,146 S * 8/2000 Lin D14/223
- 6,356,635 B1 * 3/2002 Lyman H04M 1/05
379/430

(Continued)

Primary Examiner — Paula Allen Greene

(74) *Attorney, Agent, or Firm* — Plumsea Law Group, LLC

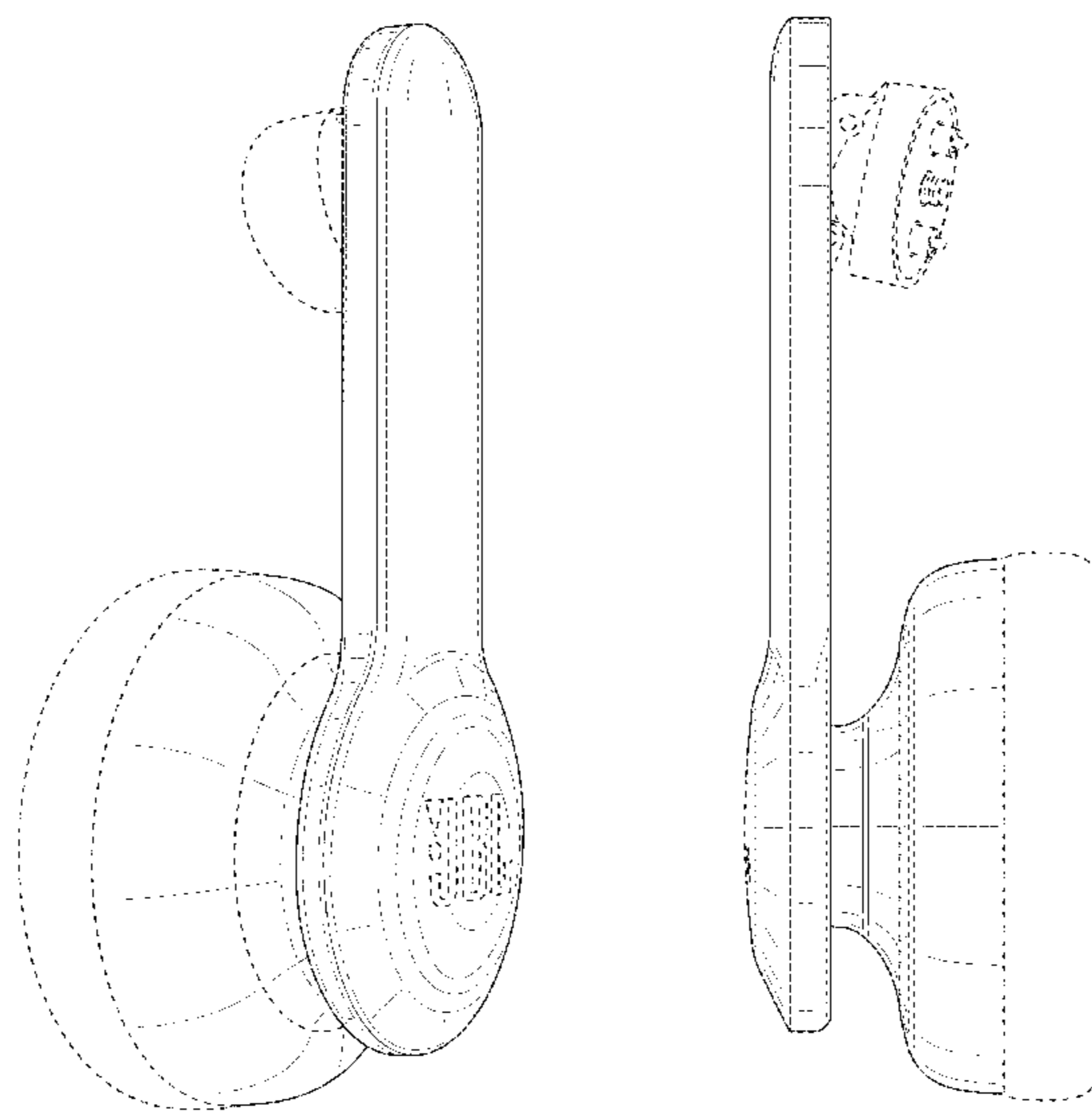
(57) **CLAIM**

The ornamental design for a headphone, as shown and described.

DESCRIPTION

FIG. 1 is a front perspective view of a headphone showing the new design;
 FIG. 2 is a front elevational view thereof;
 FIG. 3 is a rear elevational view thereof;
 FIG. 4 is a side elevational view of one side thereof;
 FIG. 5 is a side elevational view of the opposite side thereof;
 FIG. 6 is a top plan view thereof;
 FIG. 7 is a bottom plan view thereof;
 FIG. 8 is a front perspective view of an opposite-handed embodiment of the headphone showing the new design;
 FIG. 9 is a front elevational view thereof;
 FIG. 10 is a rear elevational view thereof;
 FIG. 11 is a side elevational view of one side thereof;
 FIG. 12 is a side elevational view of the opposite side thereof;
 FIG. 13 is a top plan view thereof; and,
 FIG. 14 is a bottom plan view thereof.
 The broken lines immediately adjacent the shaded areas represent the bounds of the claimed design, while all other broken lines depict environment; the broken lines form no part of the claimed design.

1 Claim, 12 Drawing Sheets



(56)

References Cited

U.S. PATENT DOCUMENTS

D460,960 S * 7/2002 Kao D14/223
 D463,784 S * 10/2002 Taylor D14/206
 D464,943 S * 10/2002 Lai D14/206
 D467,908 S * 12/2002 Bey D14/223
 D470,128 S * 2/2003 Hlas D14/205
 D470,478 S * 2/2003 Kohli D14/223
 D499,397 S * 12/2004 Hlas D14/223
 D504,887 S * 5/2005 Skulley D14/223
 D505,413 S * 5/2005 Skulley D14/223
 D510,082 S * 9/2005 Olson D14/206
 D512,710 S * 12/2005 Jacobson D14/223
 D514,086 S * 1/2006 Skulley D14/206
 D517,528 S * 3/2006 Skulley D14/206
 D519,498 S * 4/2006 Ham D14/225
 D527,376 S * 8/2006 Swain D14/223
 D537,815 S * 3/2007 Bentley D14/206
 7,245,737 B2 * 7/2007 Amae H04R 1/1066
 381/374
 D581,900 S * 12/2008 Caddes D14/206
 D602,906 S * 10/2009 Groves D14/205

D603,372 S * 11/2009 Bentley D14/206
 D603,848 S * 11/2009 Lassally D14/225
 D604,718 S * 11/2009 Paterson D14/206
 D617,771 S * 6/2010 Groves D14/205
 8,061,473 B1 * 11/2011 Kerr A61F 11/008
 181/135
 D652,017 S * 1/2012 Groves D14/206
 D684,145 S * 6/2013 Rath D14/206
 D716,258 S * 10/2014 Awiszus D14/206
 D716,259 S * 10/2014 Awiszus D14/206
 D717,767 S * 11/2014 Mistry D14/206
 D718,285 S * 11/2014 Shibusawa D14/223
 D730,868 S * 6/2015 Birger D14/206
 D730,877 S * 6/2015 Harper D14/206
 9,264,792 B2 * 2/2016 Mainini H04R 1/105
 D766,209 S * 9/2016 Harper D14/206
 D768,597 S * 10/2016 Andre D14/204
 D784,291 S * 4/2017 Paterson D14/206
 D790,505 S * 6/2017 Vargo D14/206
 2005/0226452 A1 * 10/2005 Amae H04R 1/1066
 381/381
 2017/0230740 A1 * 8/2017 Drinkwater H04R 1/105

* cited by examiner

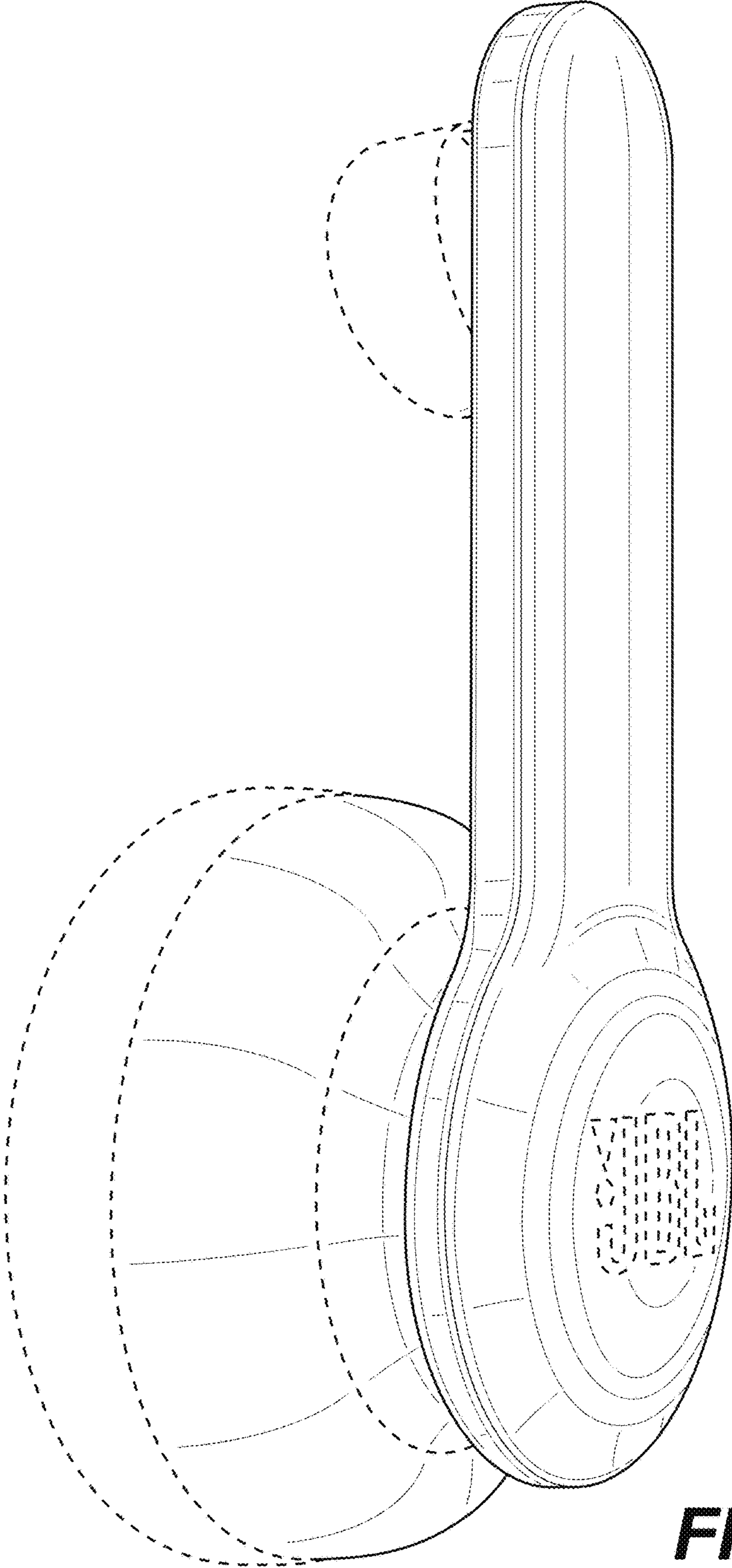


FIG. 1

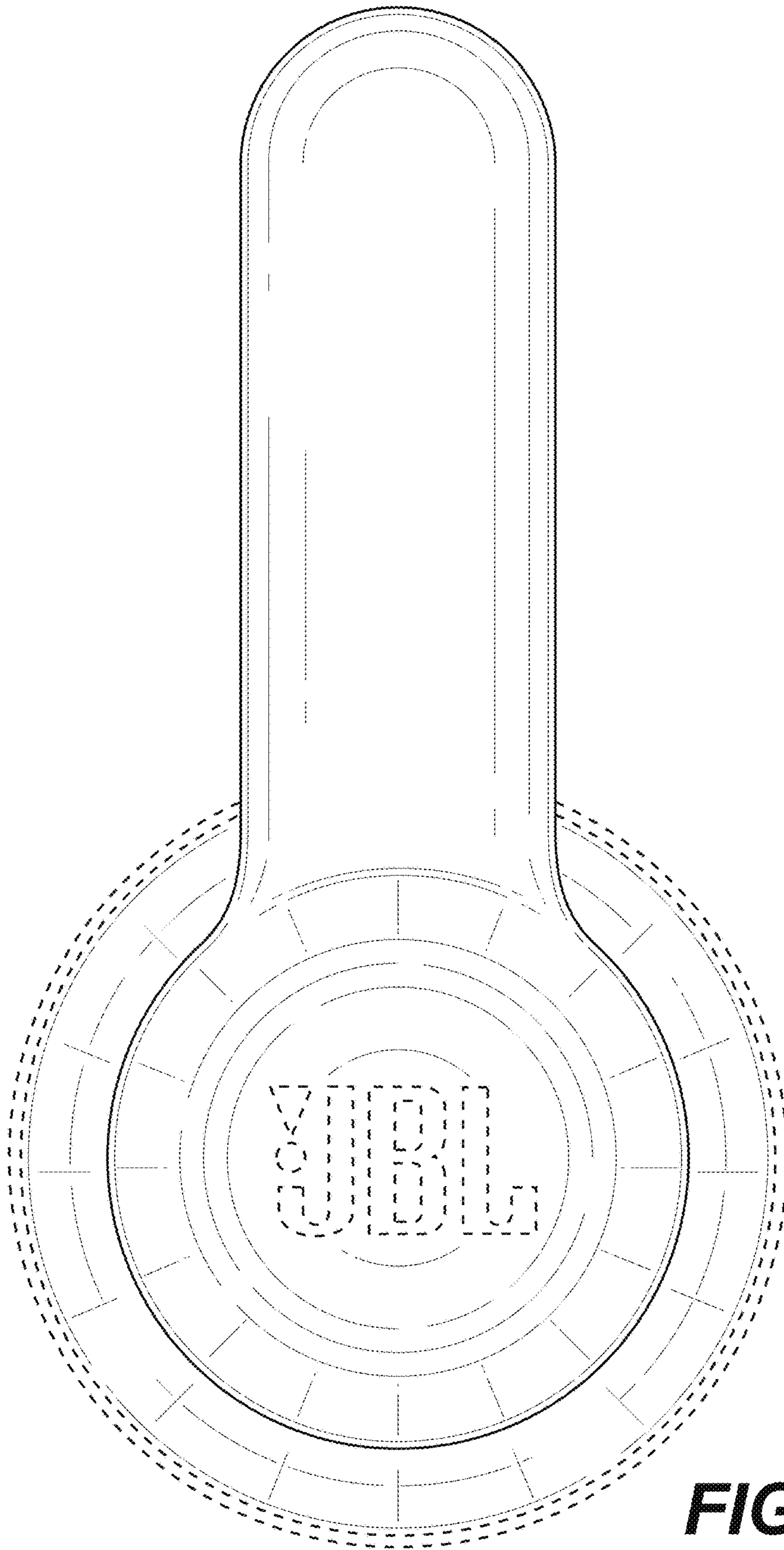


FIG. 2

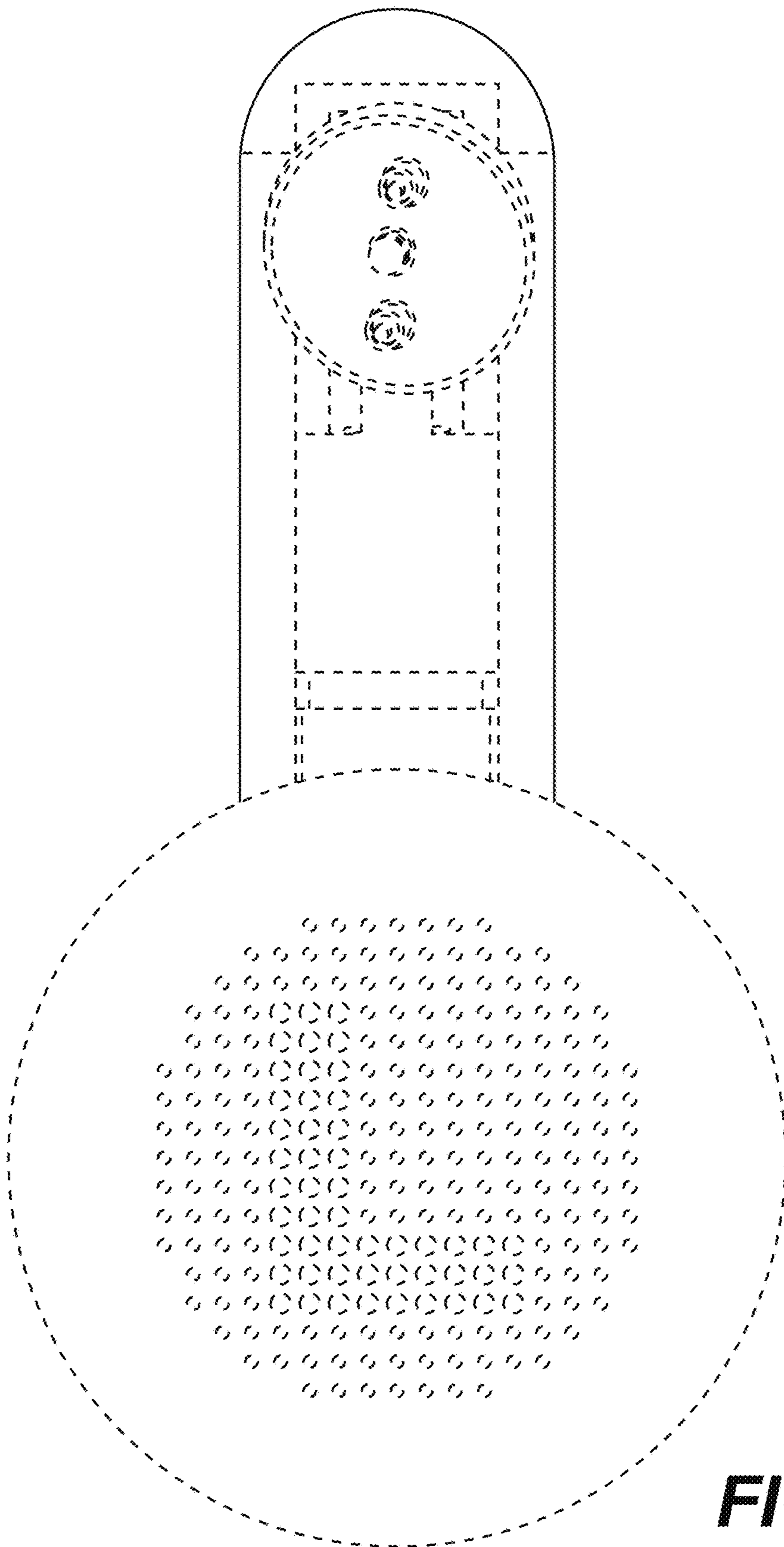


FIG. 3

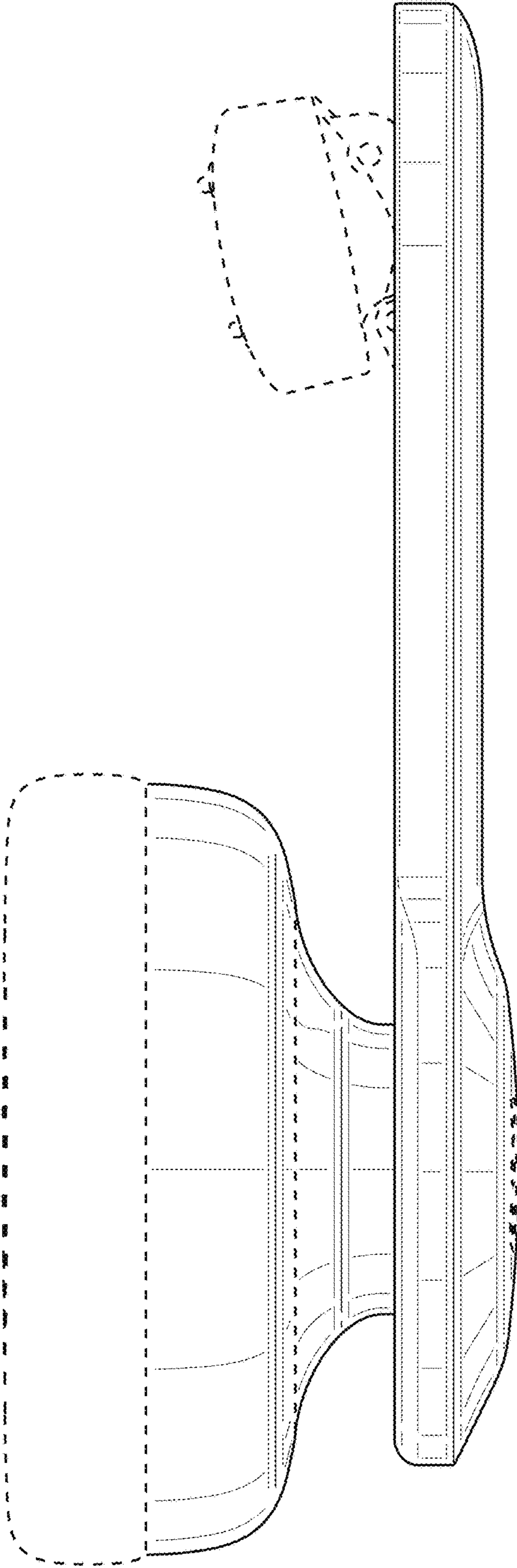


FIG. 4

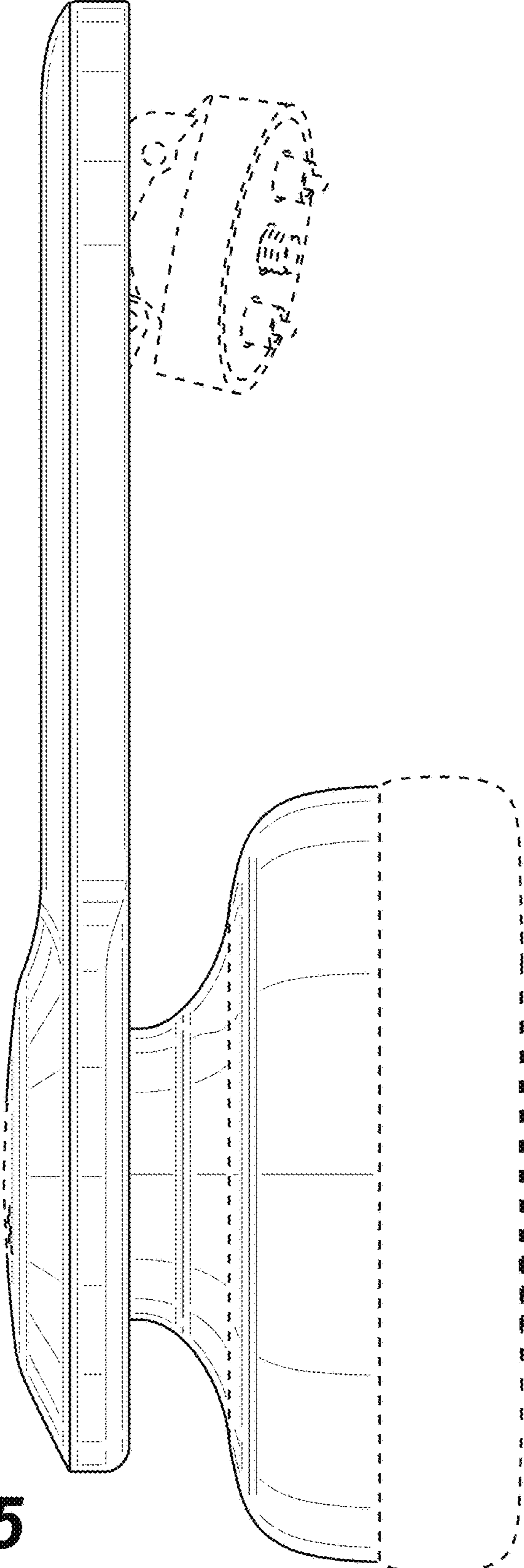


FIG. 5

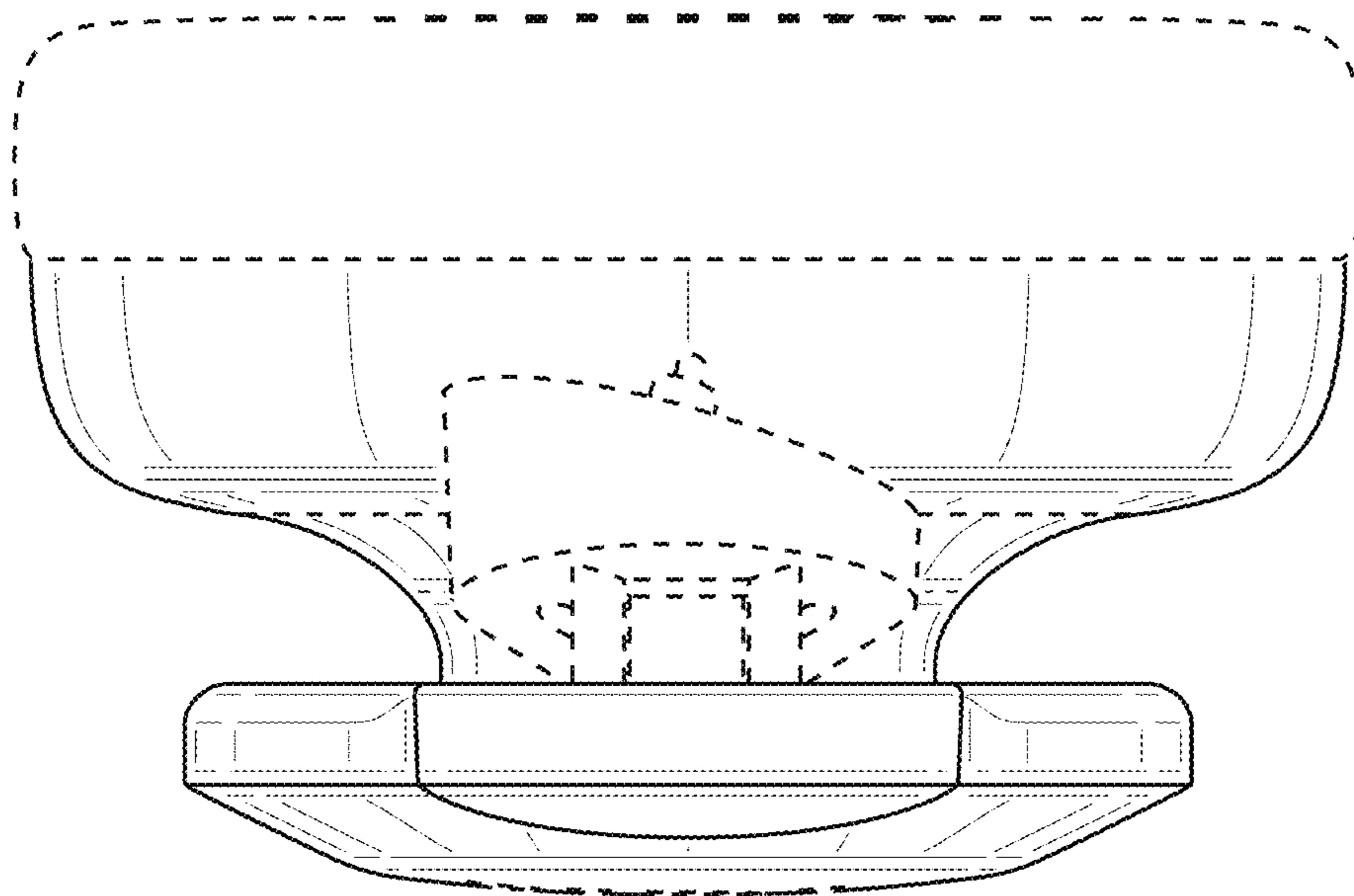


FIG. 6

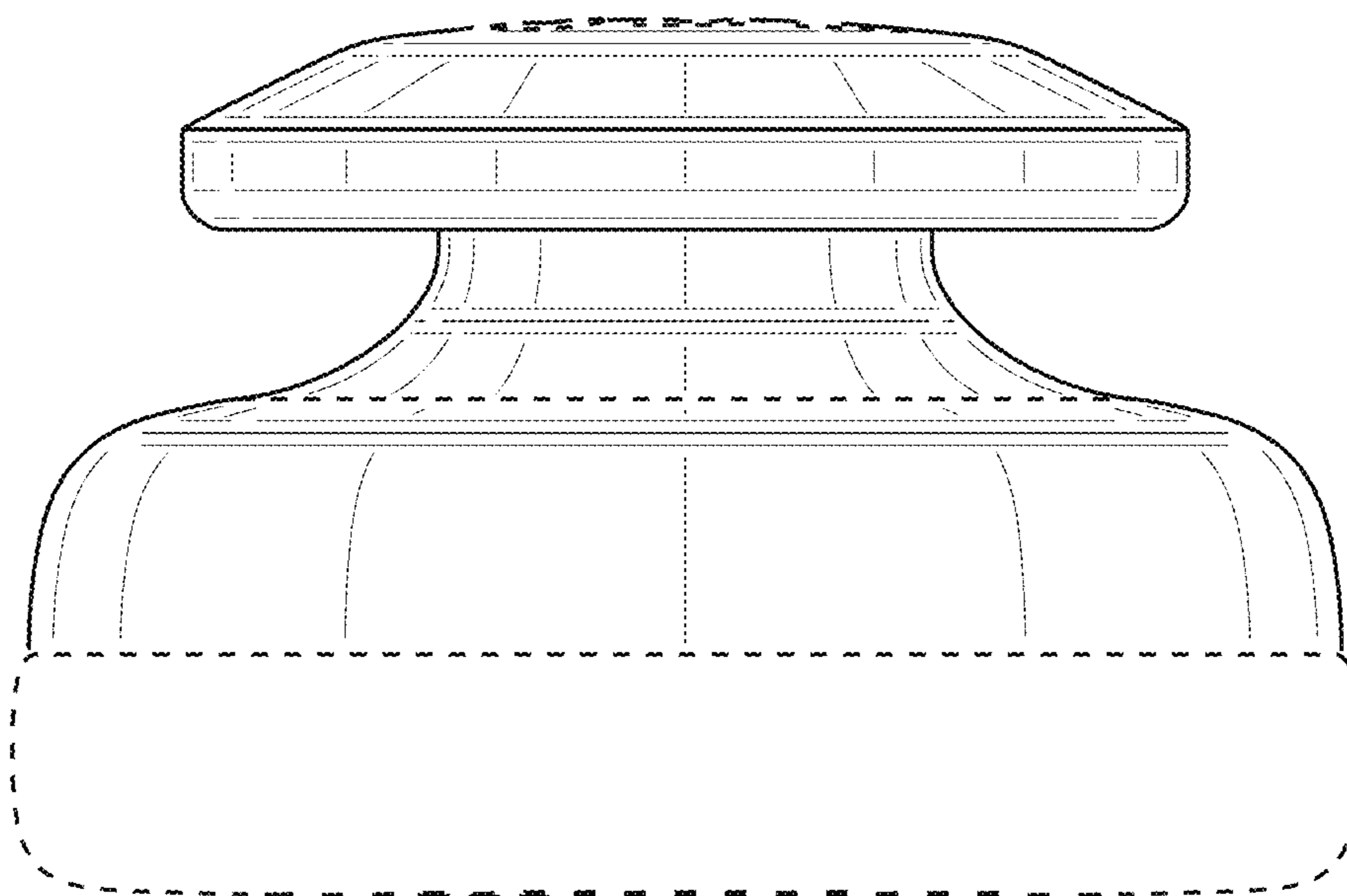


FIG. 7

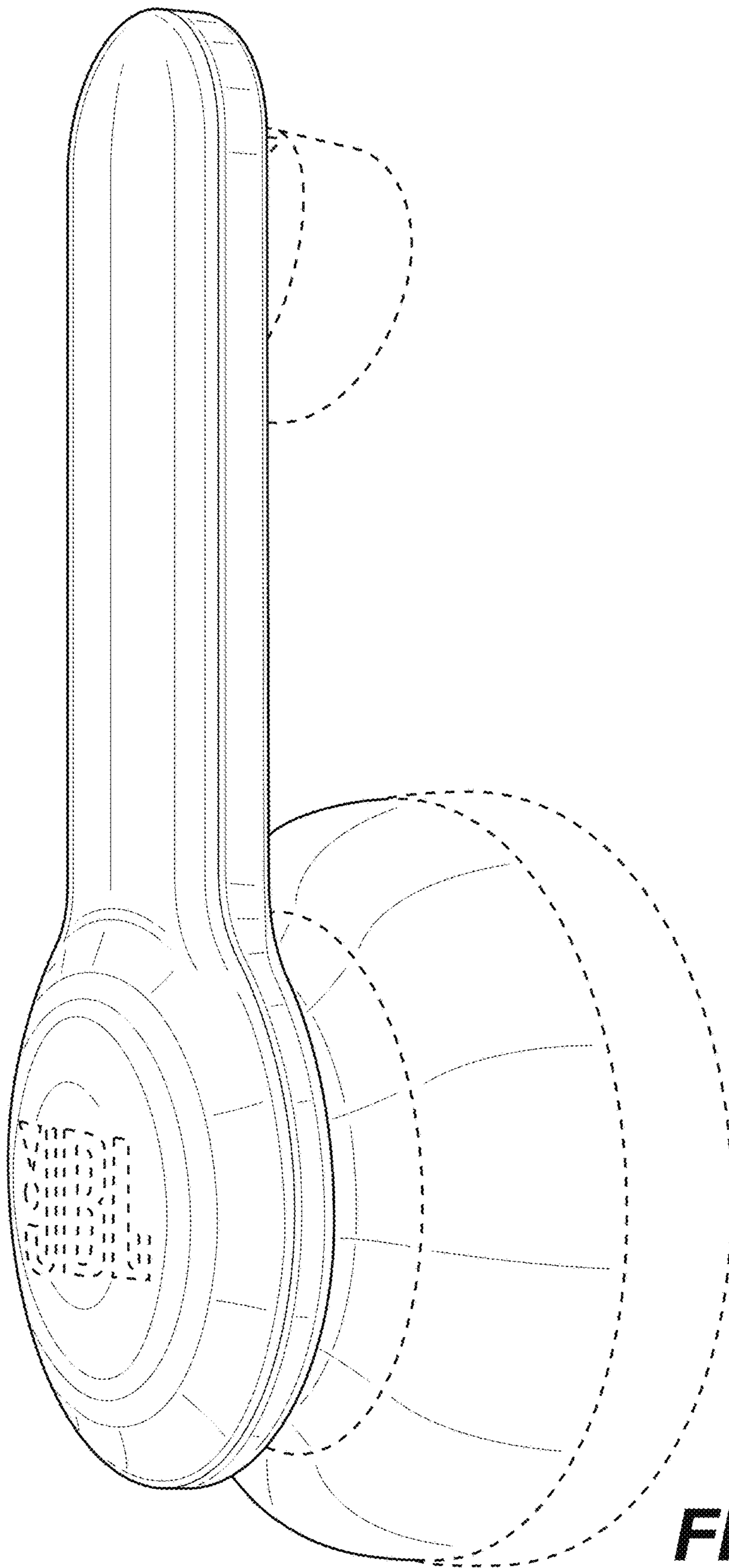


FIG. 8

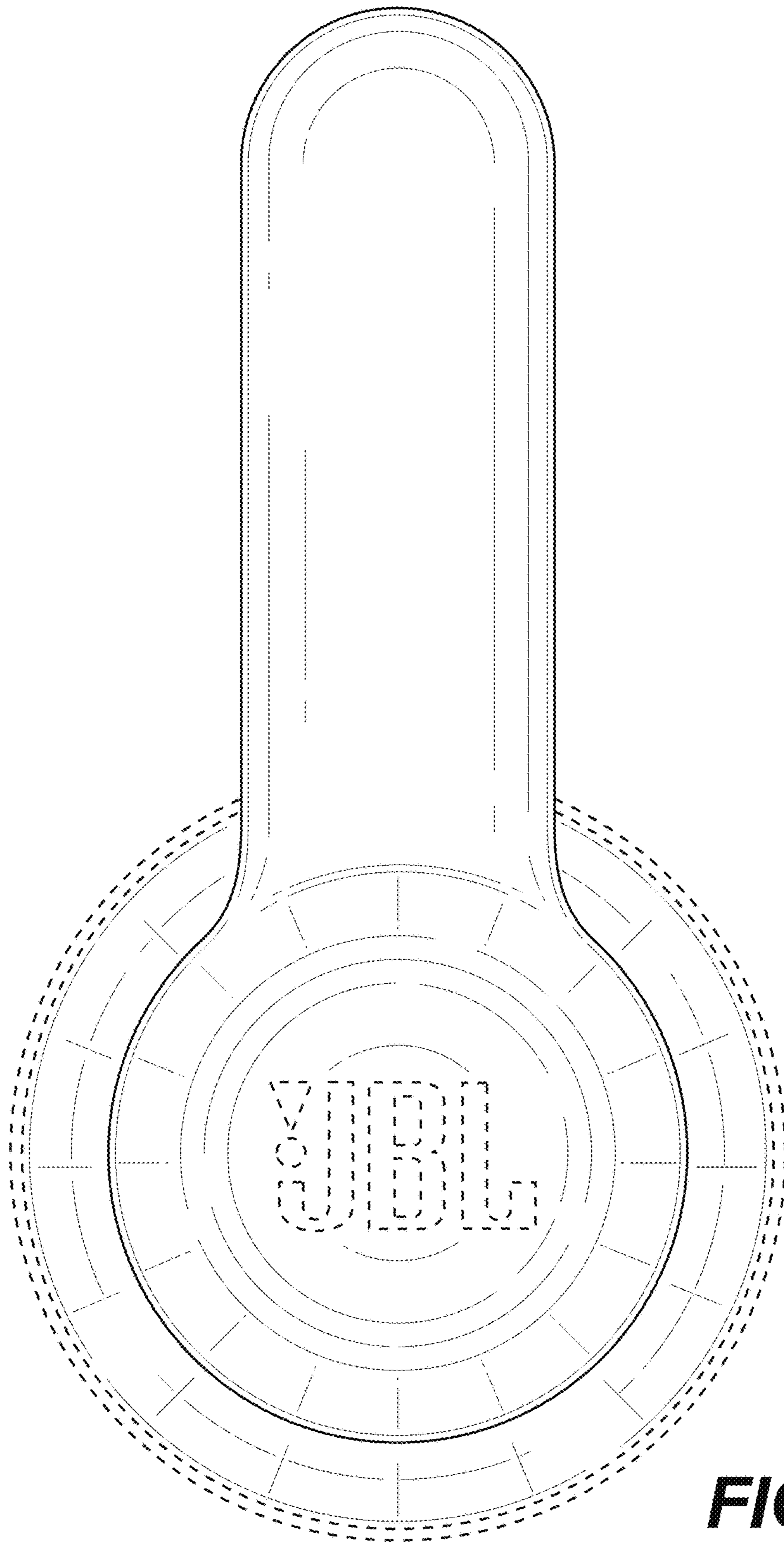


FIG. 9

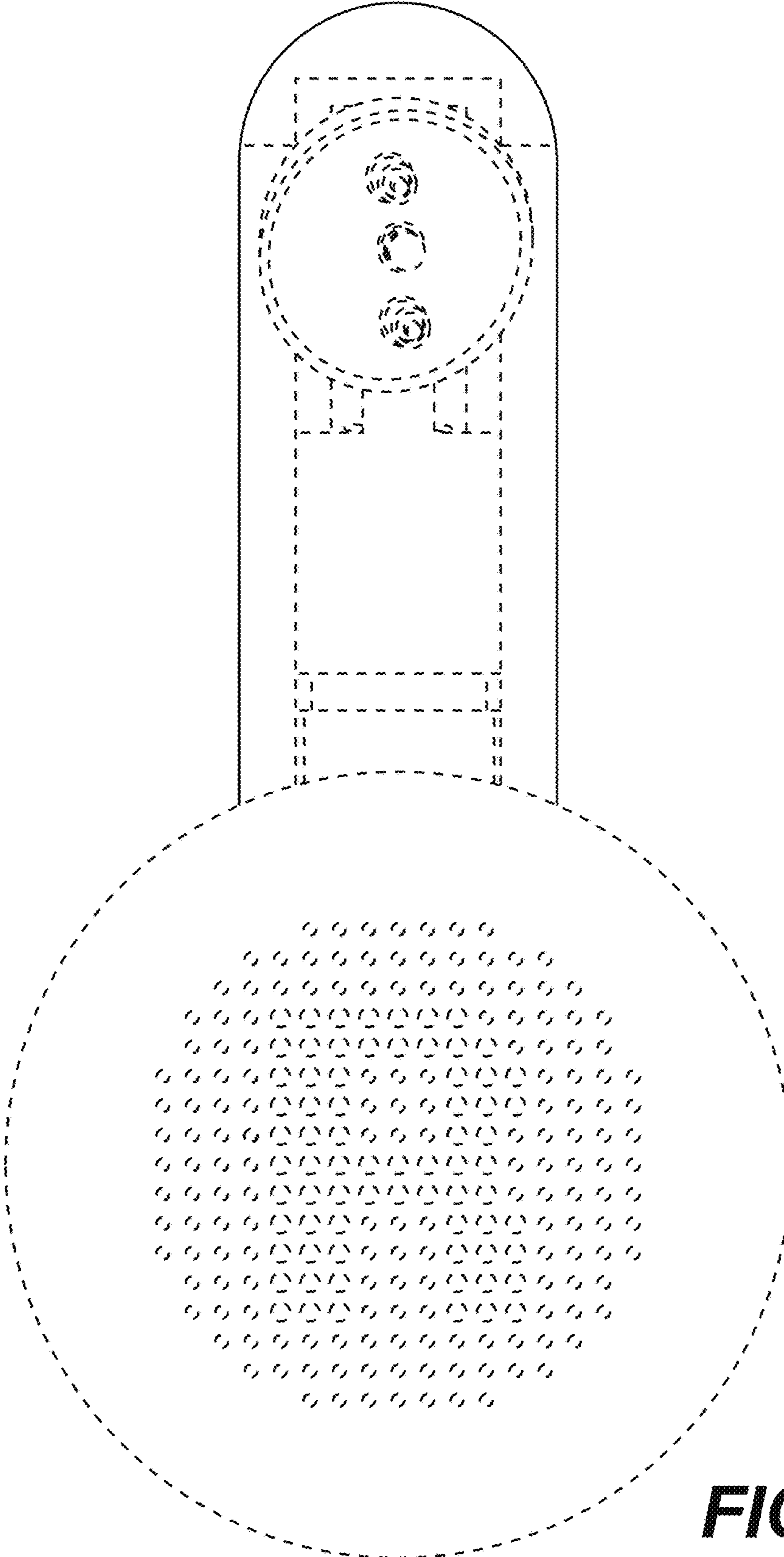


FIG. 10

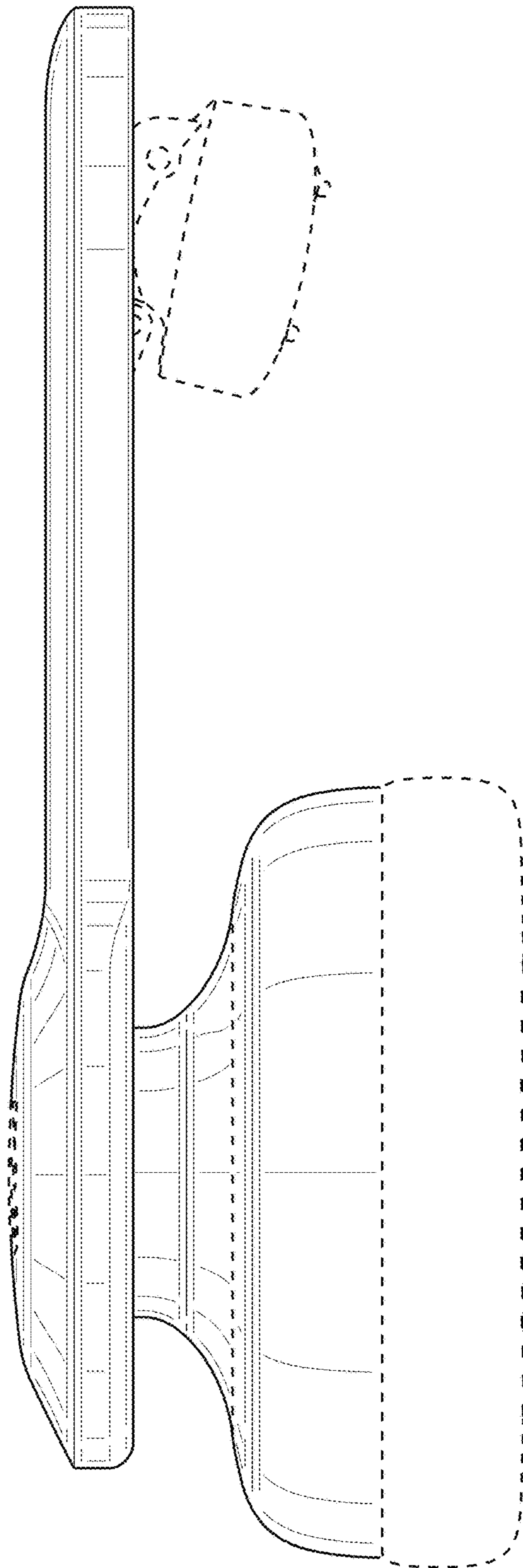


FIG. 11

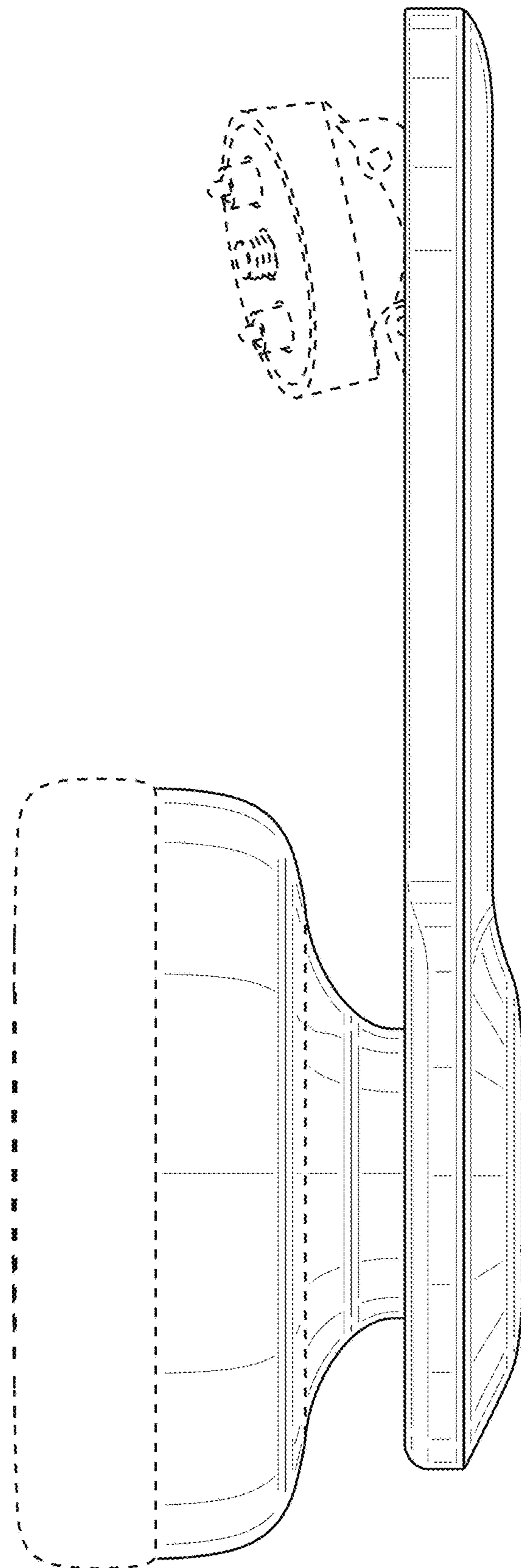


FIG. 12

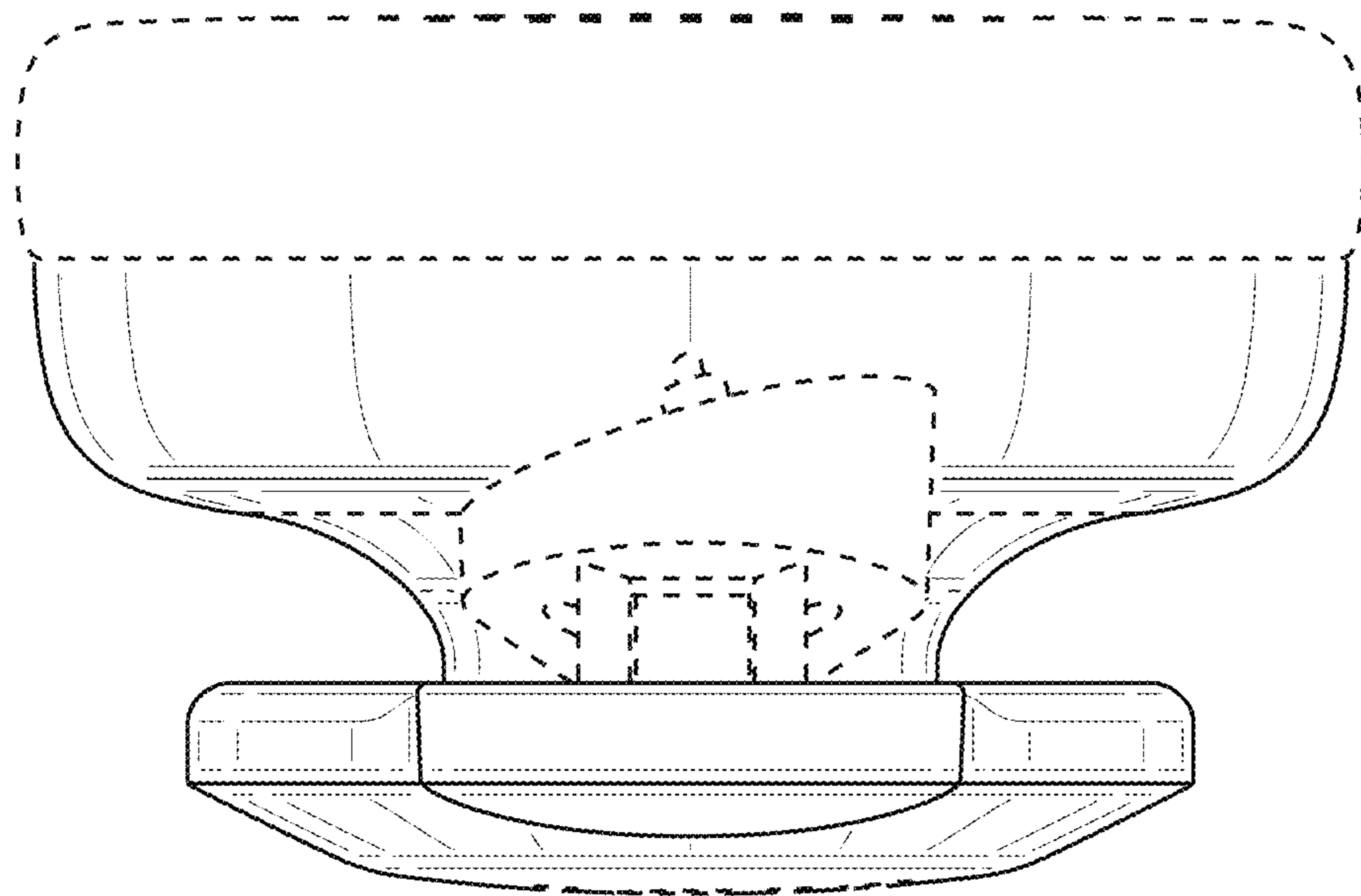


FIG. 13

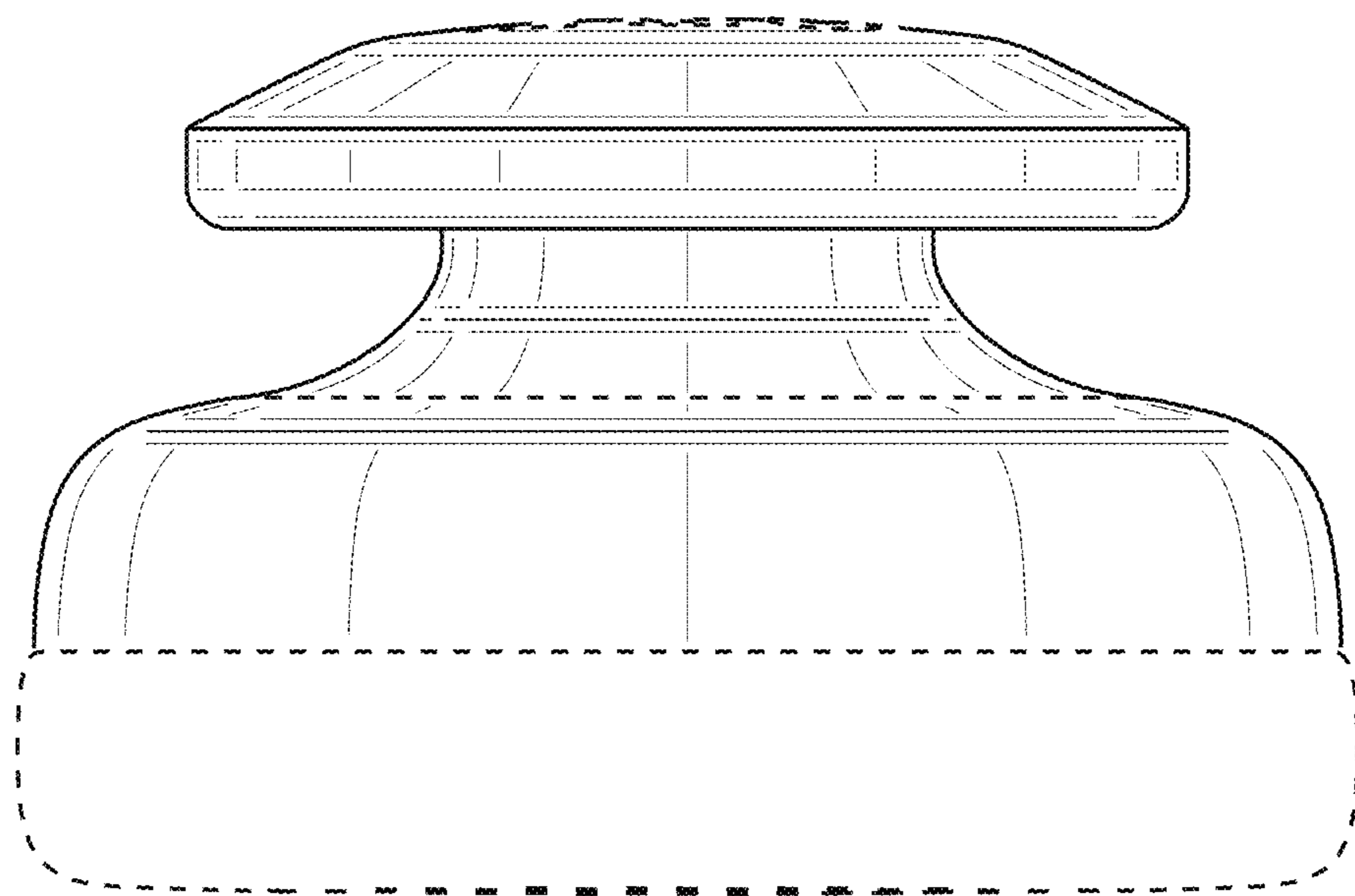


FIG. 14