



US00D832222S

(12) **United States Design Patent** (10) **Patent No.:** **US D832,222 S**
Johnson et al. (45) **Date of Patent:** **** Oct. 30, 2018**

(54) **INSULATOR**
(71) Applicants: **Bethel Idiculla Johnson**, Attleboro, MA (US); **Brad Bell**, New Buffalo, MI (US)
(72) Inventors: **Bethel Idiculla Johnson**, Attleboro, MA (US); **Brad Bell**, New Buffalo, MI (US)

4,105,136 A 8/1978 May
D274,616 S * 7/1984 Essig D13/131
4,591,216 A * 5/1986 McClune H01R 9/05
439/275
4,862,324 A 4/1989 Kalvaitis et al.
D343,802 S * 2/1994 Kornowski D10/80
5,757,260 A 5/1998 Smith et al.

(Continued)

FOREIGN PATENT DOCUMENTS

(73) Assignee: **SWITCHBOARD APPARATUS, INC.**, Elmhurst, IL (US)

CN 203596533 5/2014
DE 3915948 11/1990

(Continued)

(**) Term: **15 Years**

OTHER PUBLICATIONS

(21) Appl. No.: **29/578,879**

Siemens Switchgear Selection and Application Guide, 2012, pp. 1-52.

(22) Filed: **Sep. 26, 2016**

(Continued)

(51) **LOC (11) Cl.** **13-03**

(52) **U.S. Cl.**
USPC **D13/155**

(58) **Field of Classification Search**
USPC D13/155, 123, 133, 151, 153, 154, 156, D13/184, 199; D8/349, 354, 380; D23/259, 262
CPC . H01R 24/58; H01R 4/10; H01R 4/18; H01R 4/38; H01R 4/40; H01R 4/56; H01R 4/60; H01R 4/64; H01R 13/625; H01H 2033/6623; H01H 2033/6668; H01H 9/102; H01H 9/22; H01H 9/342; H01H 31/003; H01H 33/022; H01H 33/66; H02B 11/04

See application file for complete search history.

Primary Examiner — Derrick Holland
Assistant Examiner — Jennifer O King
(74) *Attorney, Agent, or Firm* — Vedder Price, P.C.

(57) **CLAIM**

The ornamental design for an insulator, as shown and described.

DESCRIPTION

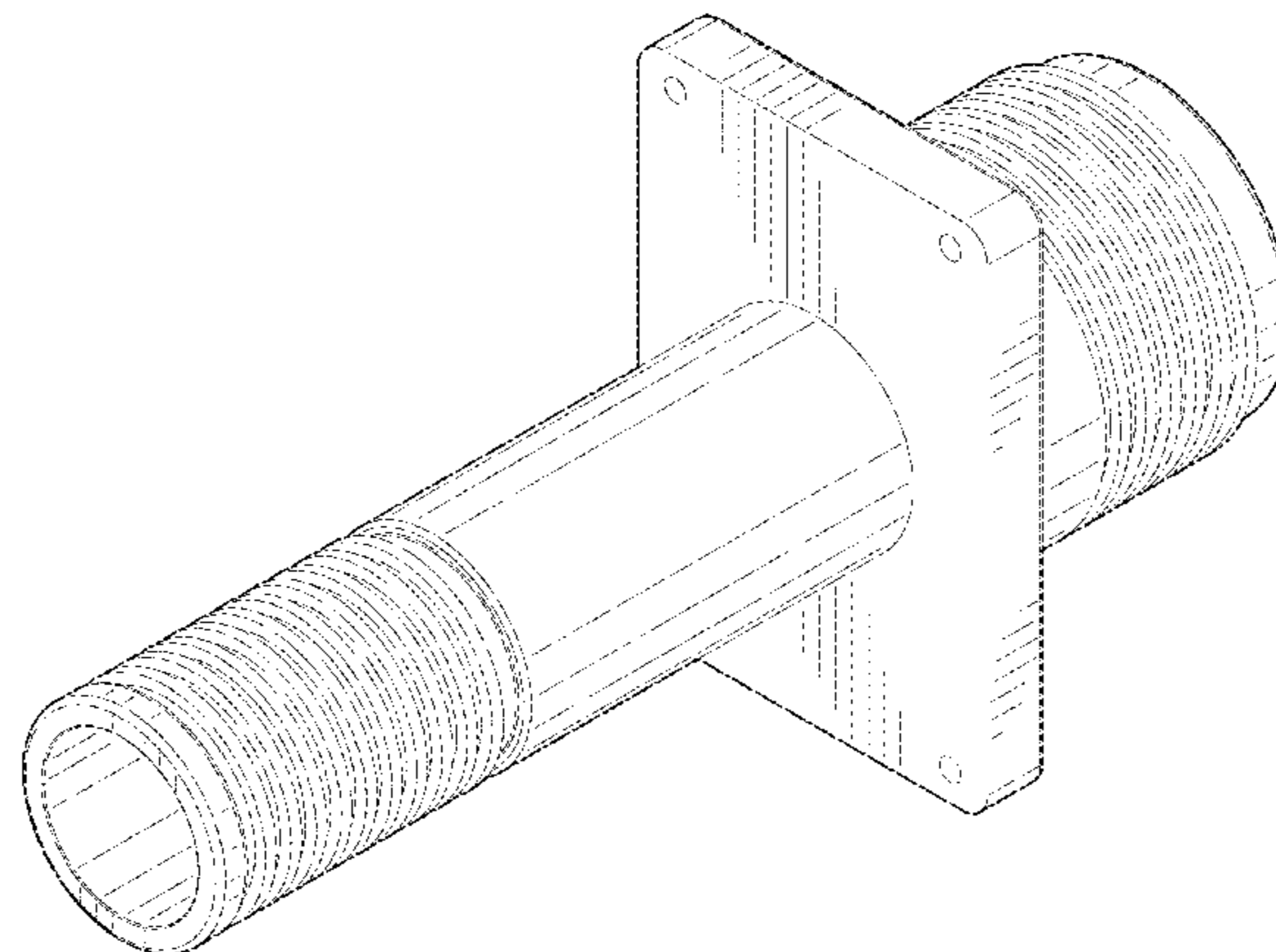
FIG. 1 is a rear perspective view of an insulator showing our design;
FIG. 2 is a front perspective thereof;
FIG. 3 is a top view thereof;
FIG. 4 is a bottom view thereof;
FIG. 5 is a first side view thereof;
FIG. 6 is a second side view thereof;
FIG. 7 is a front view thereof; and,
FIG. 8 is a rear view thereof.
The broken lines represent portions of the insulator that form no part of the claimed design.

(56) **References Cited**

U.S. PATENT DOCUMENTS

1,028,258 A * 6/1912 Murray H01H 9/102
337/194
D216,798 S * 3/1970 Cappon D13/151
3,612,799 A * 10/1971 Carter H01H 33/82
218/51
3,958,156 A 5/1976 Tjebben

1 Claim, 8 Drawing Sheets



(56)

References Cited

U.S. PATENT DOCUMENTS

D397,607 S * 9/1998 Lawson D8/397
 6,066,814 A 5/2000 Smith et al.
 6,123,578 A * 9/2000 Truett H01R 13/746
 439/550
 6,215,654 B1 4/2001 Wilkie, II et al.
 6,410,844 B1 6/2002 Bruner et al.
 7,236,352 B2 6/2007 Dalis
 7,679,022 B2 3/2010 Tsuchiya et al.
 7,821,774 B2 10/2010 Josten et al.
 7,974,078 B2 7/2011 Coomer et al.
 8,101,881 B2 1/2012 Miller et al.
 8,242,395 B2 8/2012 Josten et al.
 D670,655 S * 11/2012 Lee D13/151
 D678,844 S * 3/2013 Haberek D13/151
 8,451,589 B2 5/2013 Milovac et al.
 8,482,903 B2 7/2013 Milovac et al.
 8,733,855 B2 5/2014 Josten et al.
 D711,328 S * 8/2014 Purdy D13/156
 D731,429 S * 6/2015 Chung D13/132
 D740,759 S * 10/2015 Fukushima D13/151

9,728,354 B2 * 8/2017 Skolozdra H01H 15/06
 9,865,405 B2 * 1/2018 Rajauria H01H 1/36
 2007/0177959 A1 * 8/2007 Chopp H01R 4/64
 411/389
 2015/0229188 A1 * 8/2015 Miyashita H01R 4/027
 310/71

FOREIGN PATENT DOCUMENTS

JP	H0530615	2/1993
JP	2013215062	10/2013
WO	1994024744	10/1994
WO	2009001425	12/2008

OTHER PUBLICATIONS

Medium Voltage Switchgear and Controlgear; Mitsubishi Electric; Apr. 2008; 15 pgs.
 Medium Voltage Switchgear; Hitachi IE Systems Co., Ltd.; Medium Voltage Air-insulated Double tiered Switchgear with Vacuum Circuit Breaker; 19 pgs.

* cited by examiner

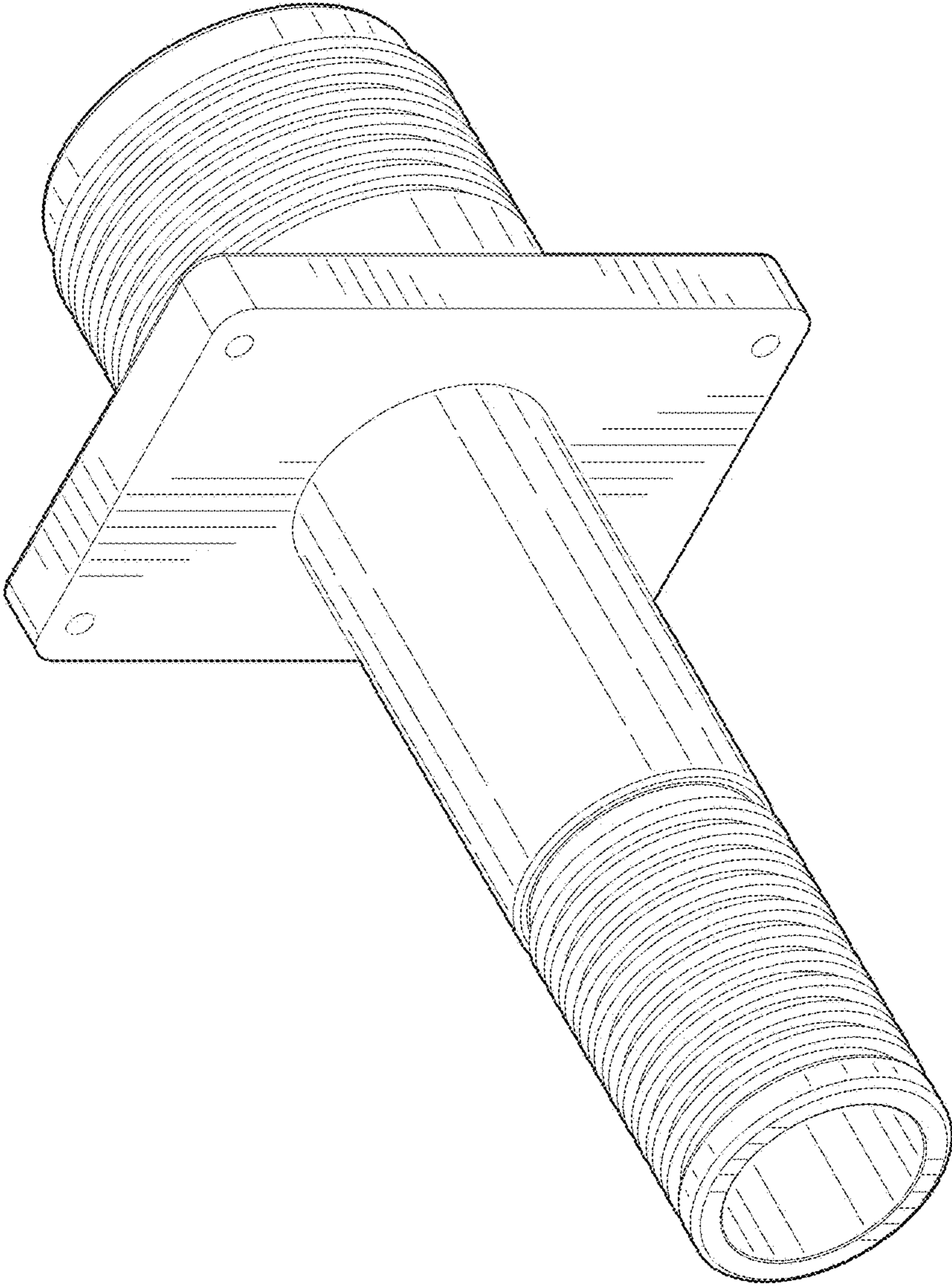


FIG. 1

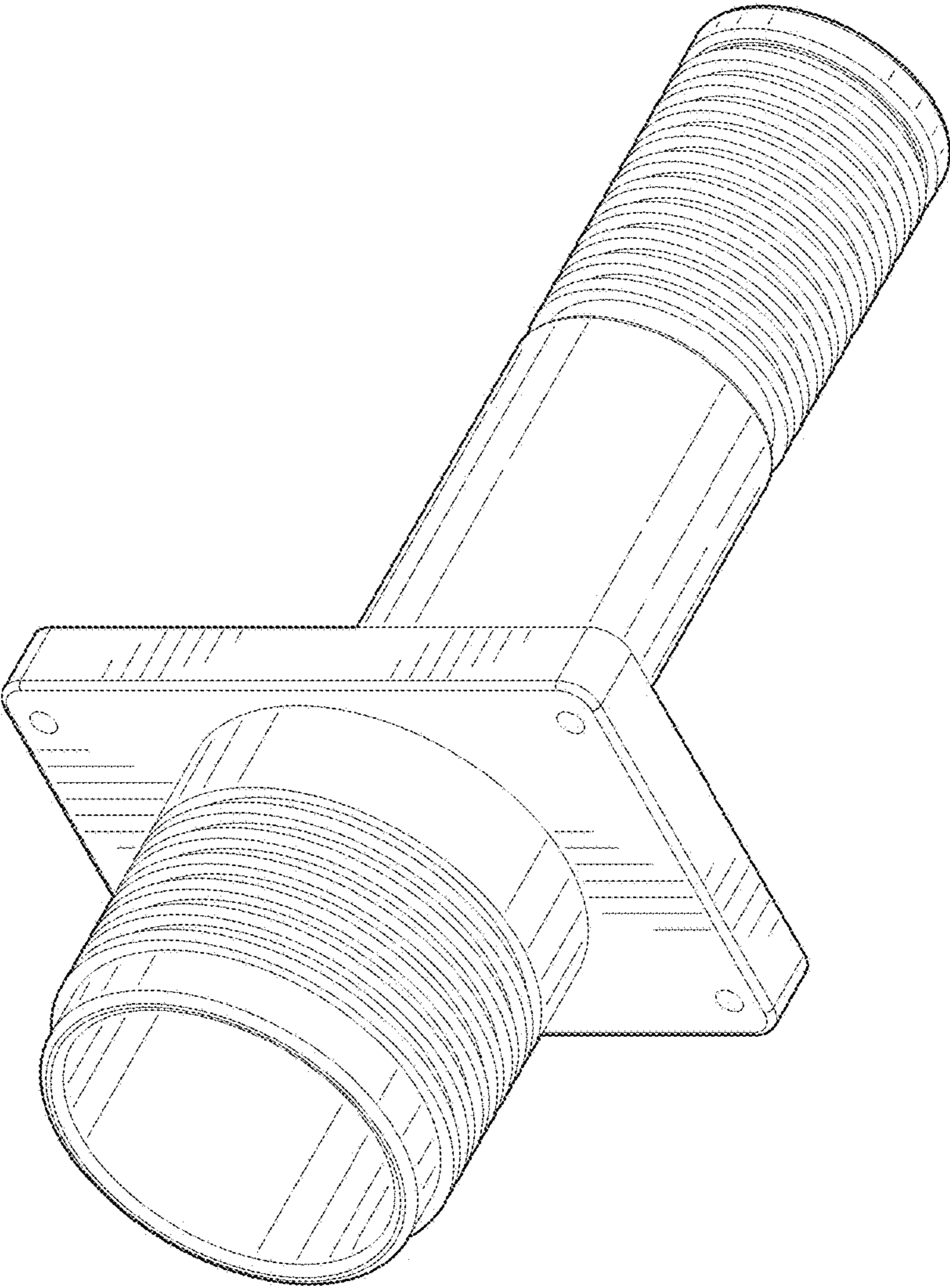


FIG. 2

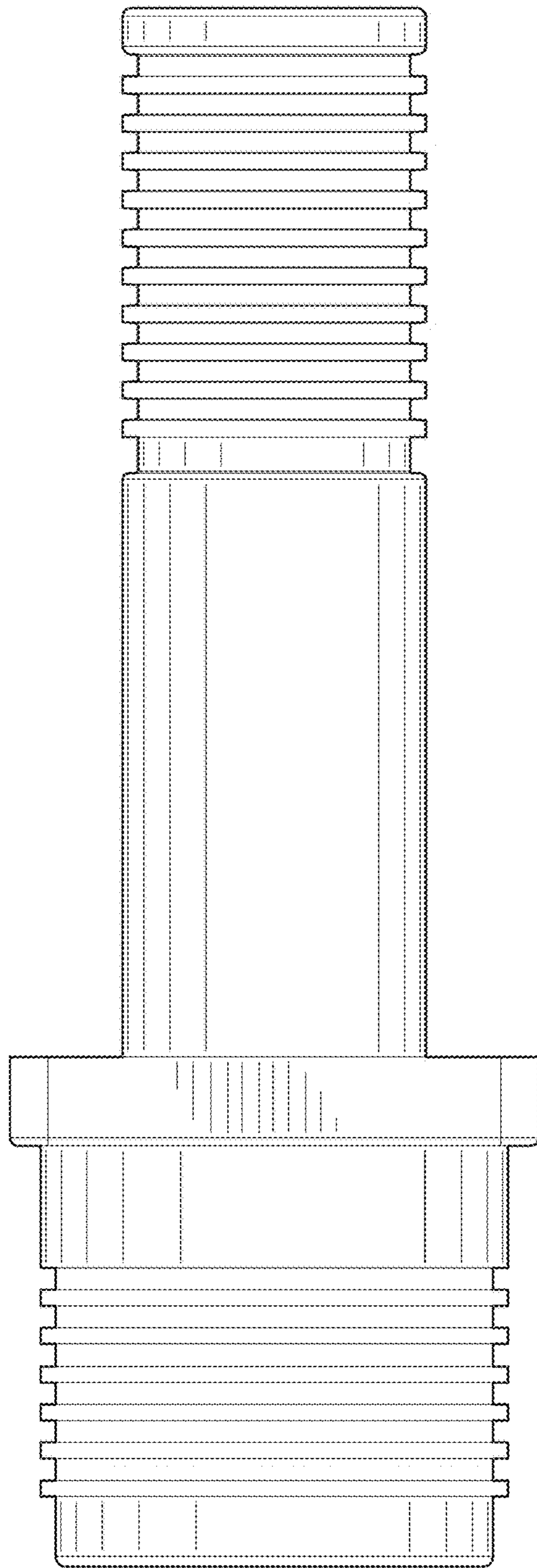


FIG. 3

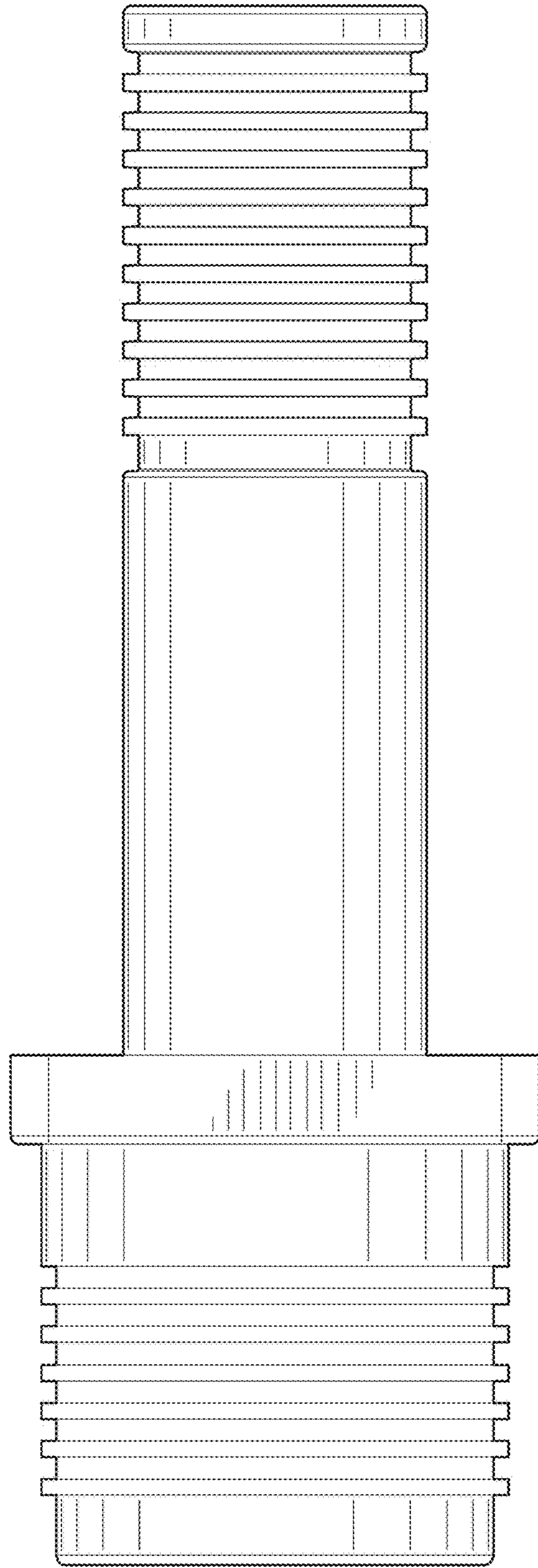


FIG. 4

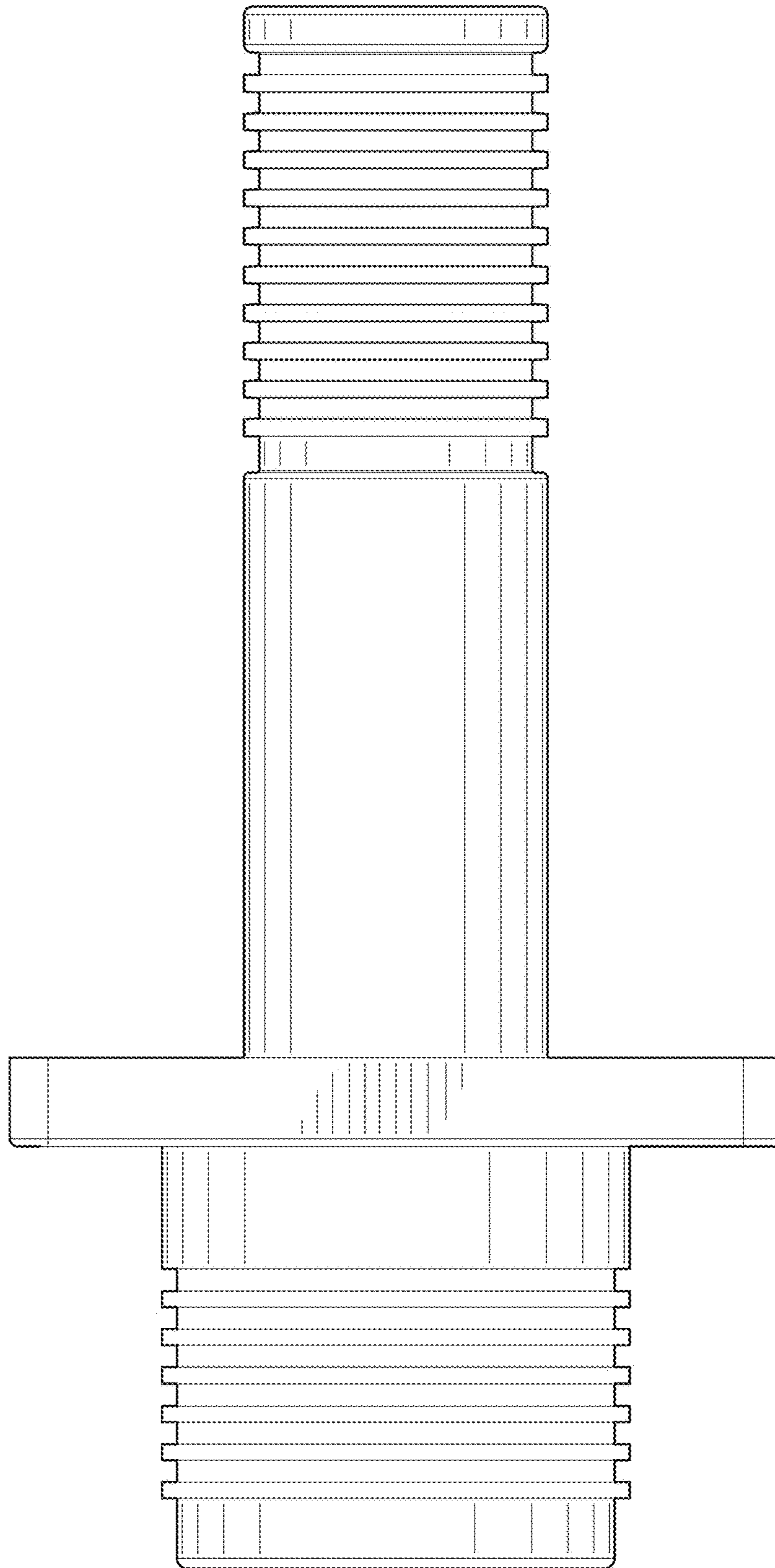


FIG. 5

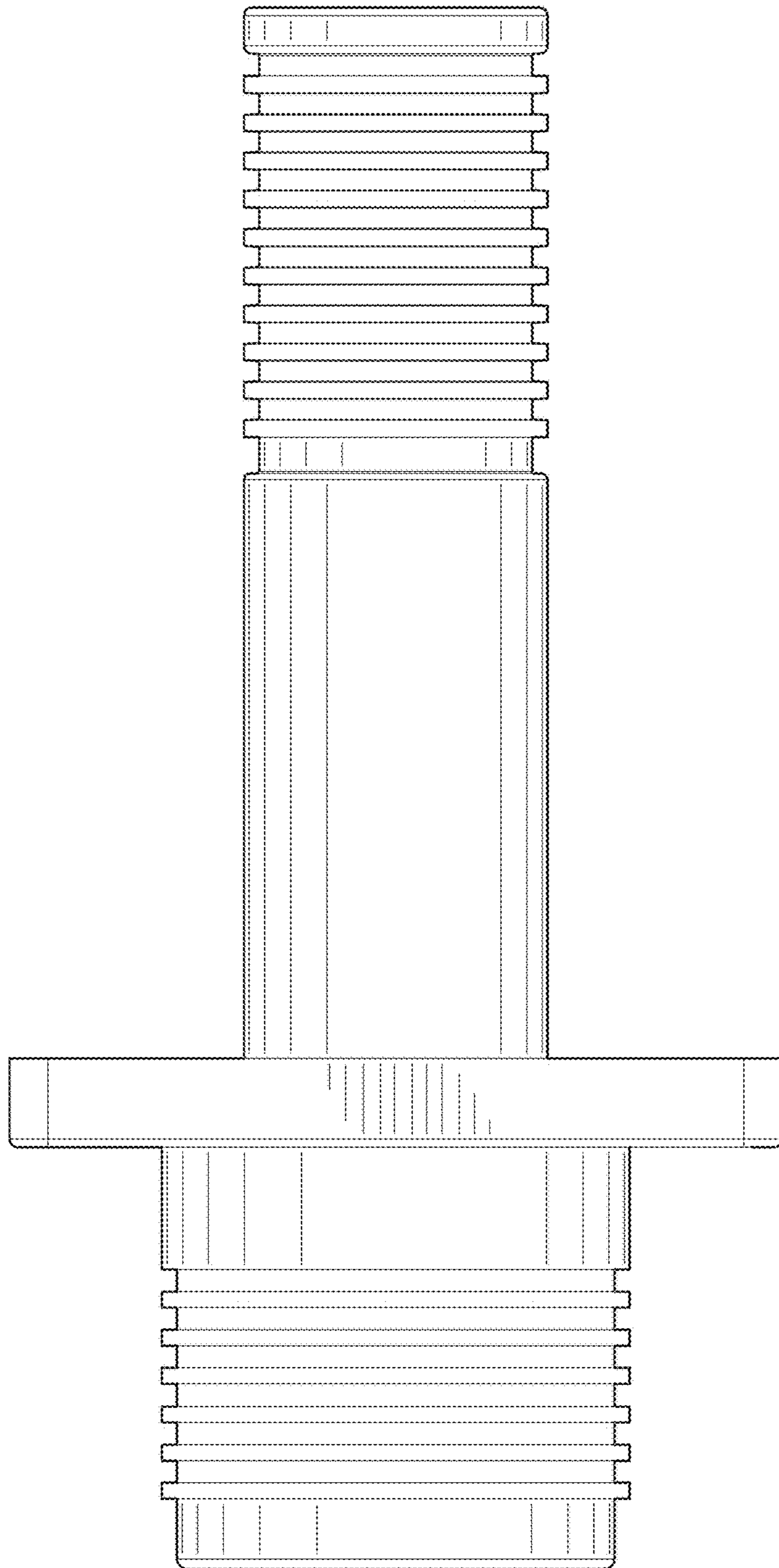


FIG. 6

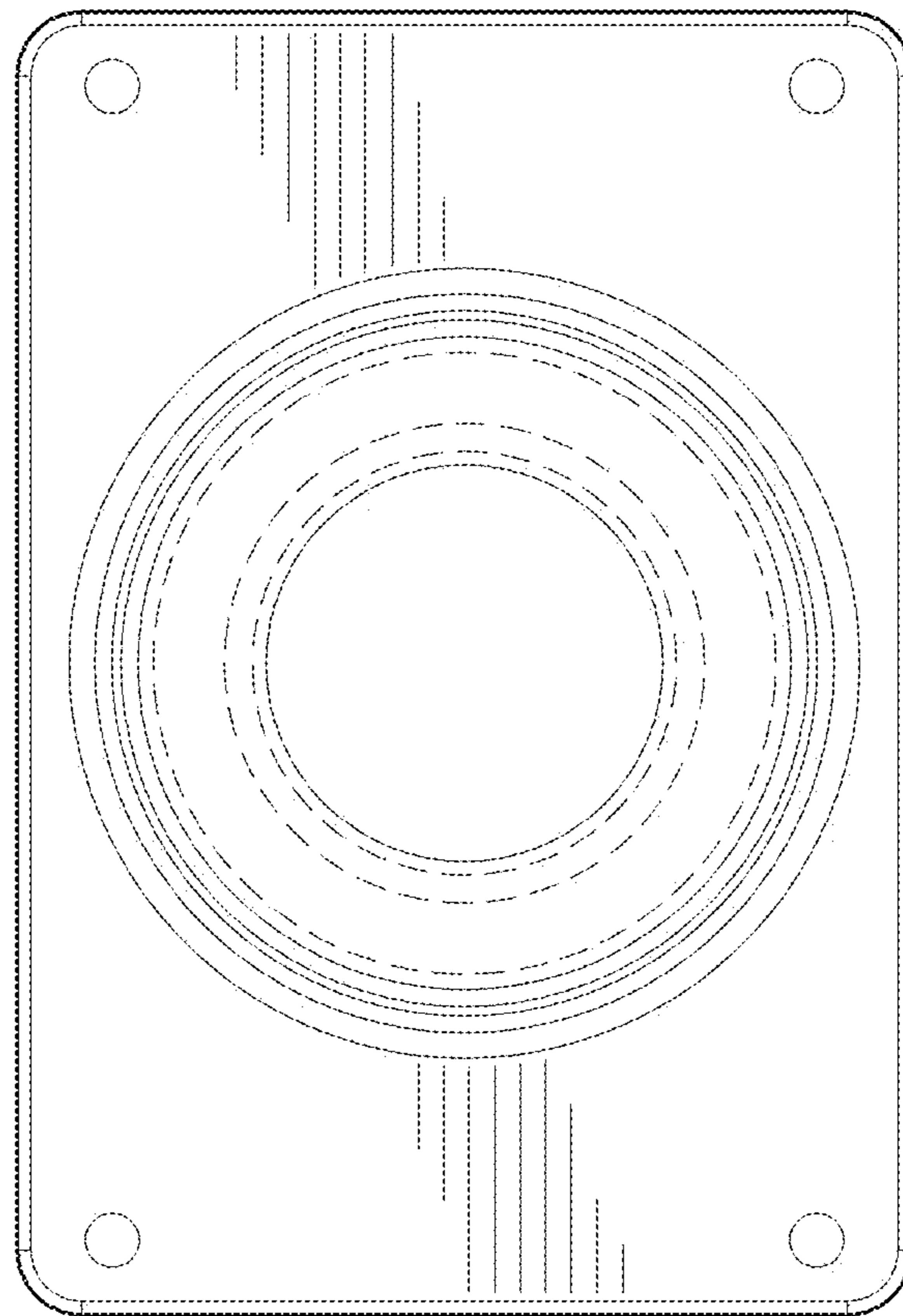


FIG. 7

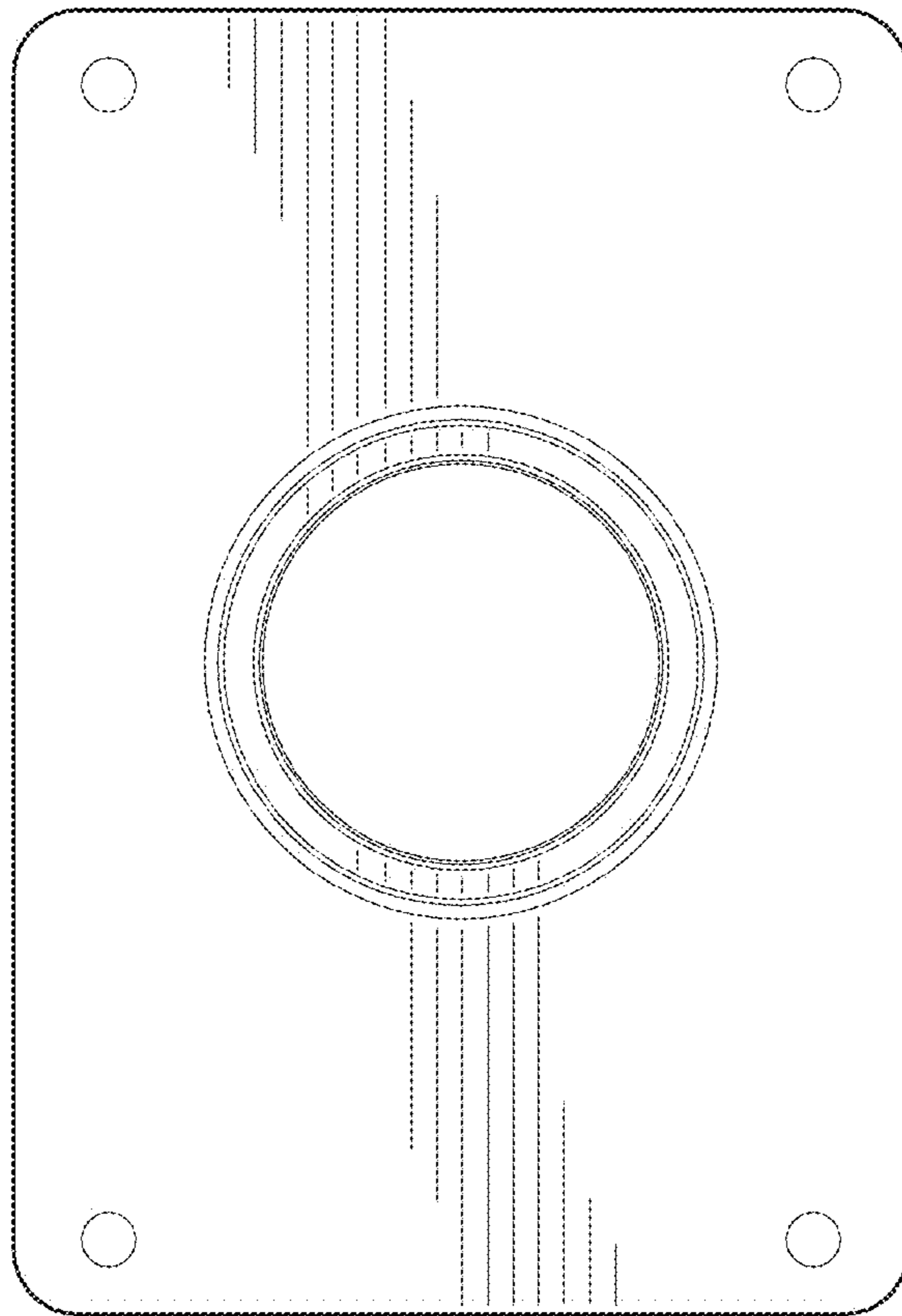


FIG. 8