



US00D832219S

(12) **United States Design Patent**
DeCosta

(10) **Patent No.:** **US D832,219 S**

(45) **Date of Patent:** **** Oct. 30, 2018**

(54) **RECEPTACLE HOUSING WITH GROUND STRAP ASSEMBLY**

(71) Applicant: **Thomas DeCosta**, Westport, MA (US)

(72) Inventor: **Thomas DeCosta**, Westport, MA (US)

(**) Term: **15 Years**

(21) Appl. No.: **29/620,437**

(22) Filed: **Dec. 14, 2016**

(51) **LOC (11) Cl.** **13-03**

(52) **U.S. Cl.**

USPC **D13/152**

(58) **Field of Classification Search**

USPC D13/108–110, 133, 137.1–137.4,
D13/138.1–138.2, 139.1–139.8, 152–154,
D13/156, 173, 177, 151, 146, 147;
D14/433, 435.1, 432; D8/350–353, 331
CPC H01R 25/00; H01R 25/006; H01R 25/003;
H01R 9/00; H01R 11/00; H01R 3/00;
H02J 2007/0062; H05K 5/02; H05K 5/00;
H05K 5/0008; H05K 5/0073; H05K
5/0204

See application file for complete search history.

(56) **References Cited**

U.S. PATENT DOCUMENTS

D269,429 S * 6/1983 Doyle D13/152
D430,539 S * 9/2000 Leopold D13/139.3
D529,787 S * 10/2006 Swiencicki D8/350
D531,128 S * 10/2006 Elberson D13/152
D601,096 S * 9/2009 Vigorito D13/152
D627,305 S * 11/2010 Gretz D13/155
7,964,989 B1 * 6/2011 Puschnigg G06F 1/266
307/116
8,067,703 B1 * 11/2011 Gretz H02G 3/12
174/53

D678,840 S * 3/2013 DeCosta D13/137.1
D692,836 S * 11/2013 Thomas D13/152
D701,842 S * 4/2014 DeCosta D13/177
D705,734 S * 5/2014 Dodal D13/139.1
D719,096 S * 12/2014 DeCosta D13/137.2
D732,719 S * 6/2015 Mozdzer D13/139.1
D736,715 S * 8/2015 Gretz D13/152
D744,952 S * 12/2015 Ni D13/139.3
D745,850 S * 12/2015 Gretz D13/152
D754,074 S * 4/2016 DeCosta D13/139.3
D763,196 S * 8/2016 DeCosta D13/152
D783,386 S * 4/2017 Collins, IV D8/354
9,705,232 B2 * 7/2017 DeCosta H01R 13/502
2005/0230139 A1 * 10/2005 Ungerman H02G 3/086
174/58
2006/0274461 A1 * 12/2006 Ochoa H01H 71/08
361/42
2017/0104325 A1 * 4/2017 Eriksen H02H 3/00

* cited by examiner

Primary Examiner — Rosemary K Tarcza

Assistant Examiner — Christy M Nemeth

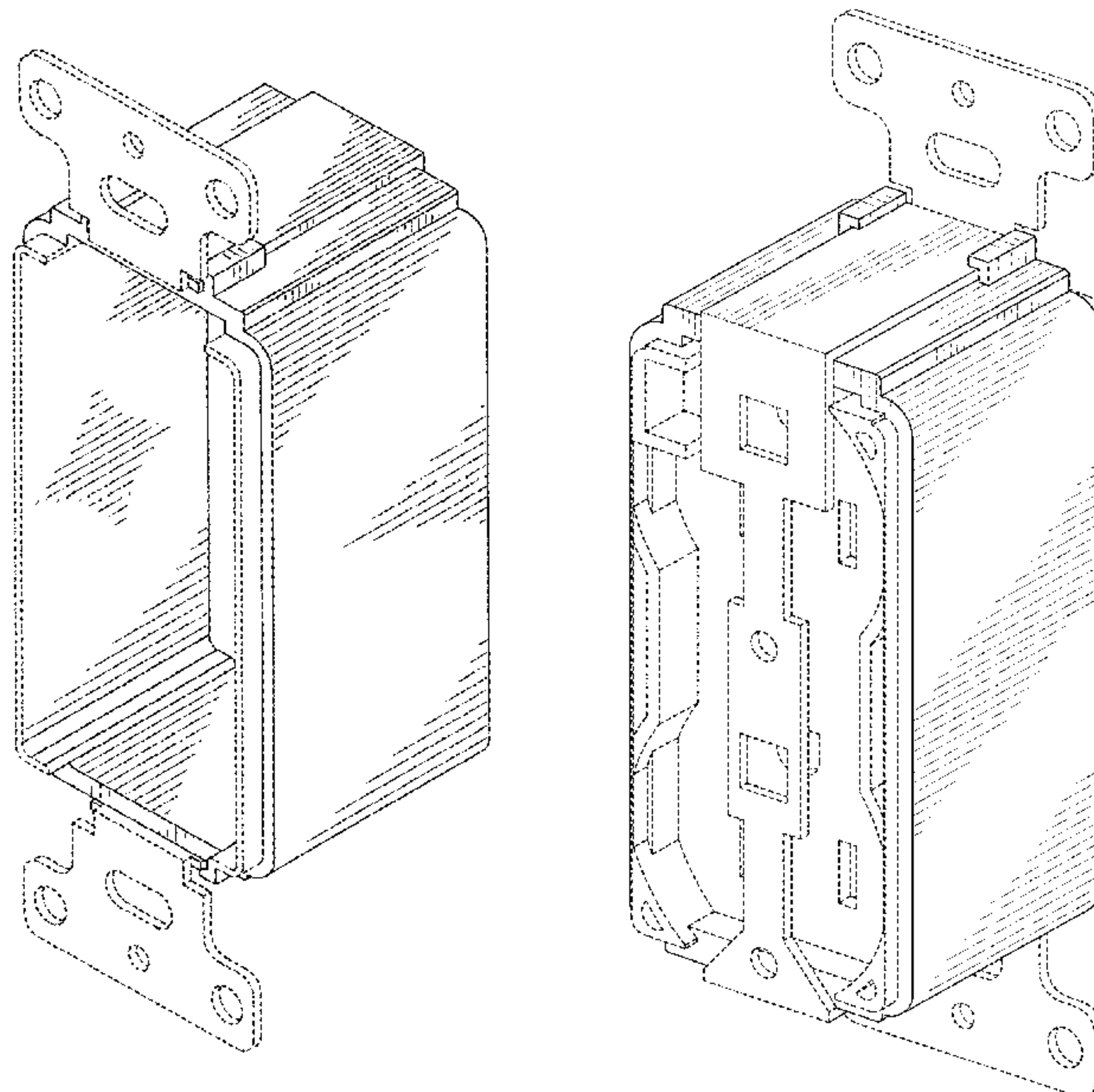
(57) **CLAIM**

The ornamental design for a receptacle housing with ground strap assembly, as shown and described.

DESCRIPTION

FIG. 1 is a front perspective view of the receptacle housing with ground strap assembly, showing my new design;
FIG. 2 is a front view of FIG. 1;
FIG. 3 is a rear view of FIG. 1;
FIG. 4 is a right side view of FIG. 1;
FIG. 5 is a left side view of FIG. 1;
FIG. 6 is a bottom view of FIG. 8;
FIG. 7 is a top view of FIG. 8; and,
FIG. 8 is a rear perspective view of FIG. 1.
The broken lines illustrate portions of the article that form no part of the claimed design.

1 Claim, 8 Drawing Sheets



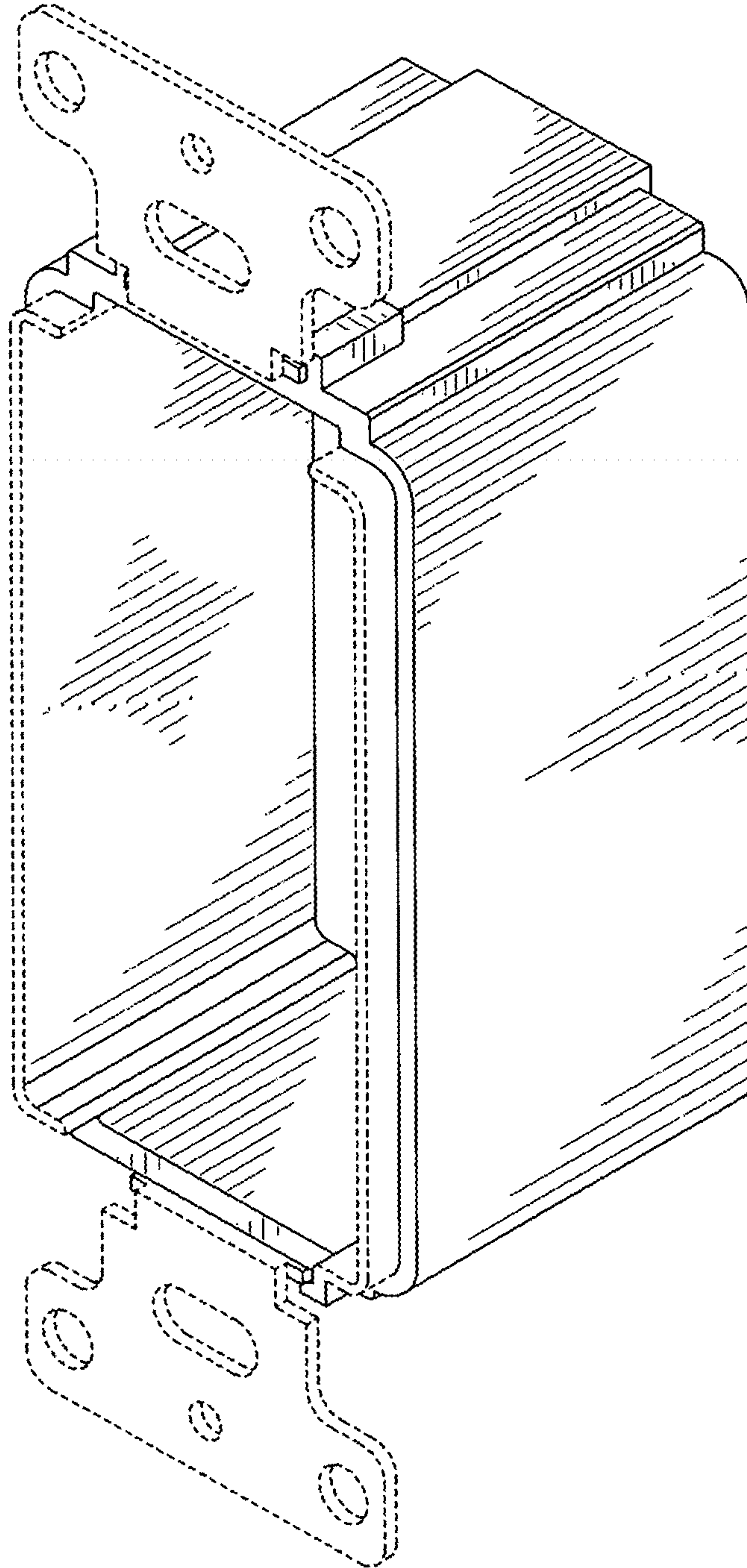


FIG. 1

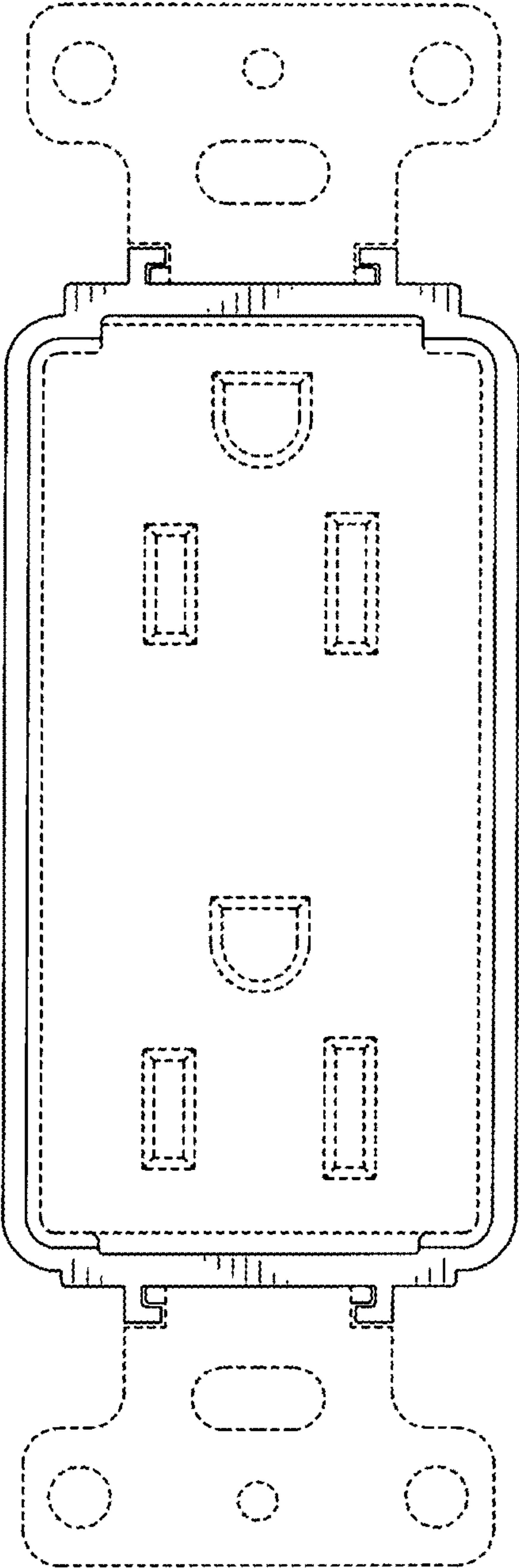


FIG. 2

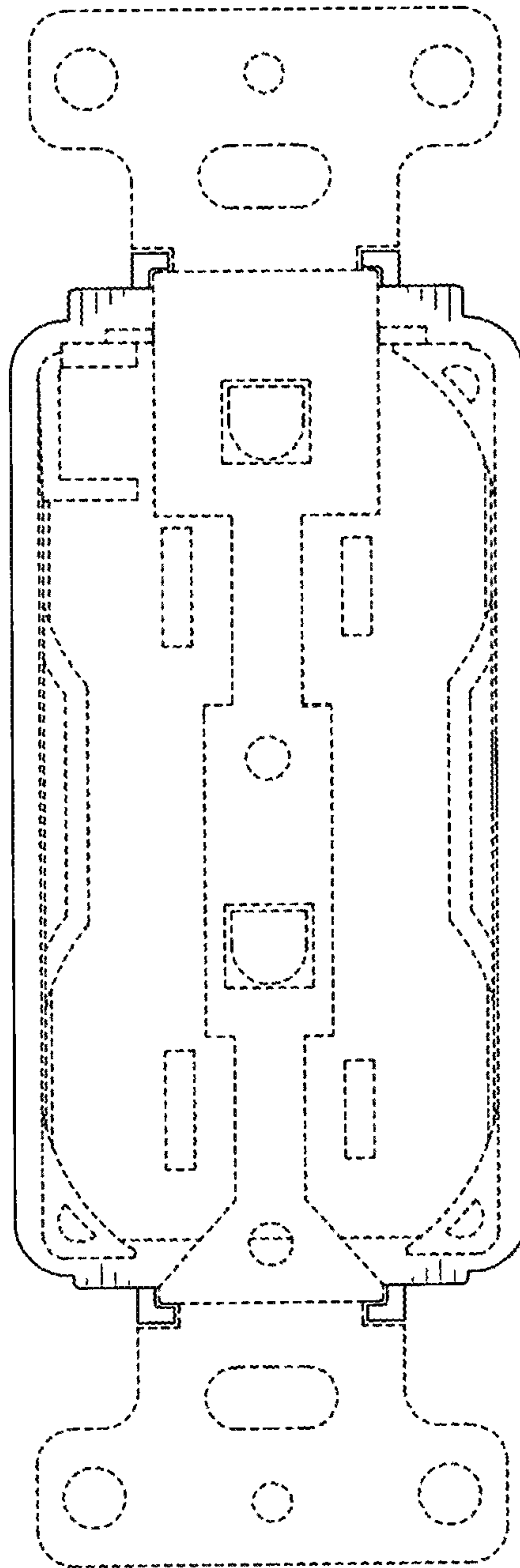


FIG. 3

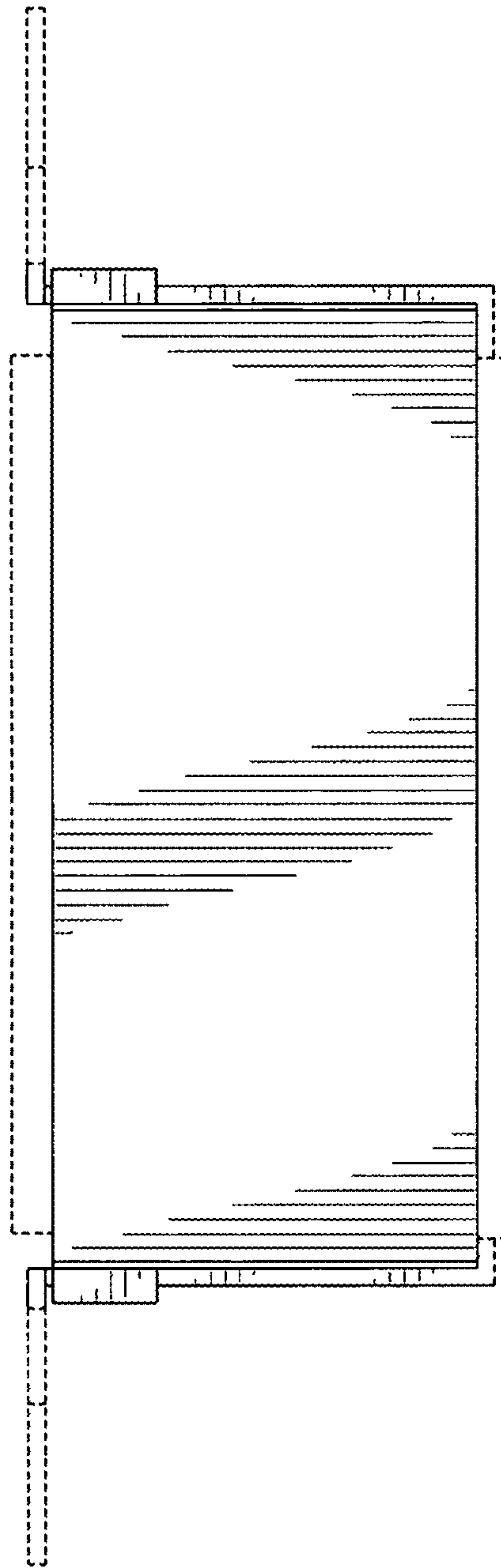


FIG. 4

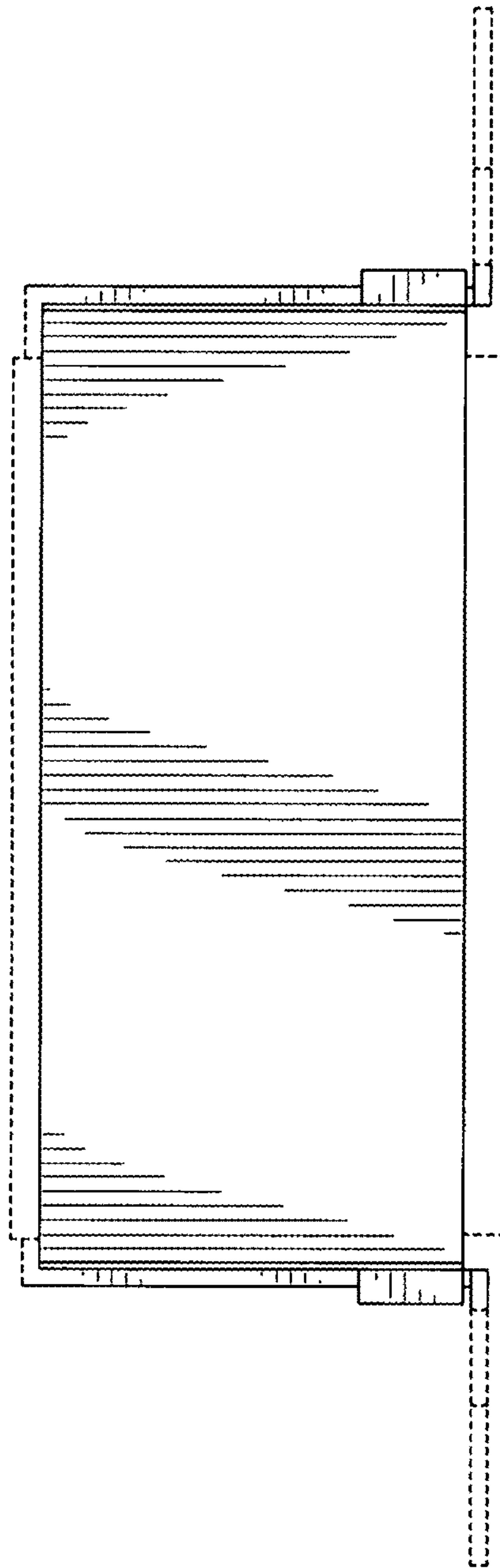


FIG. 5

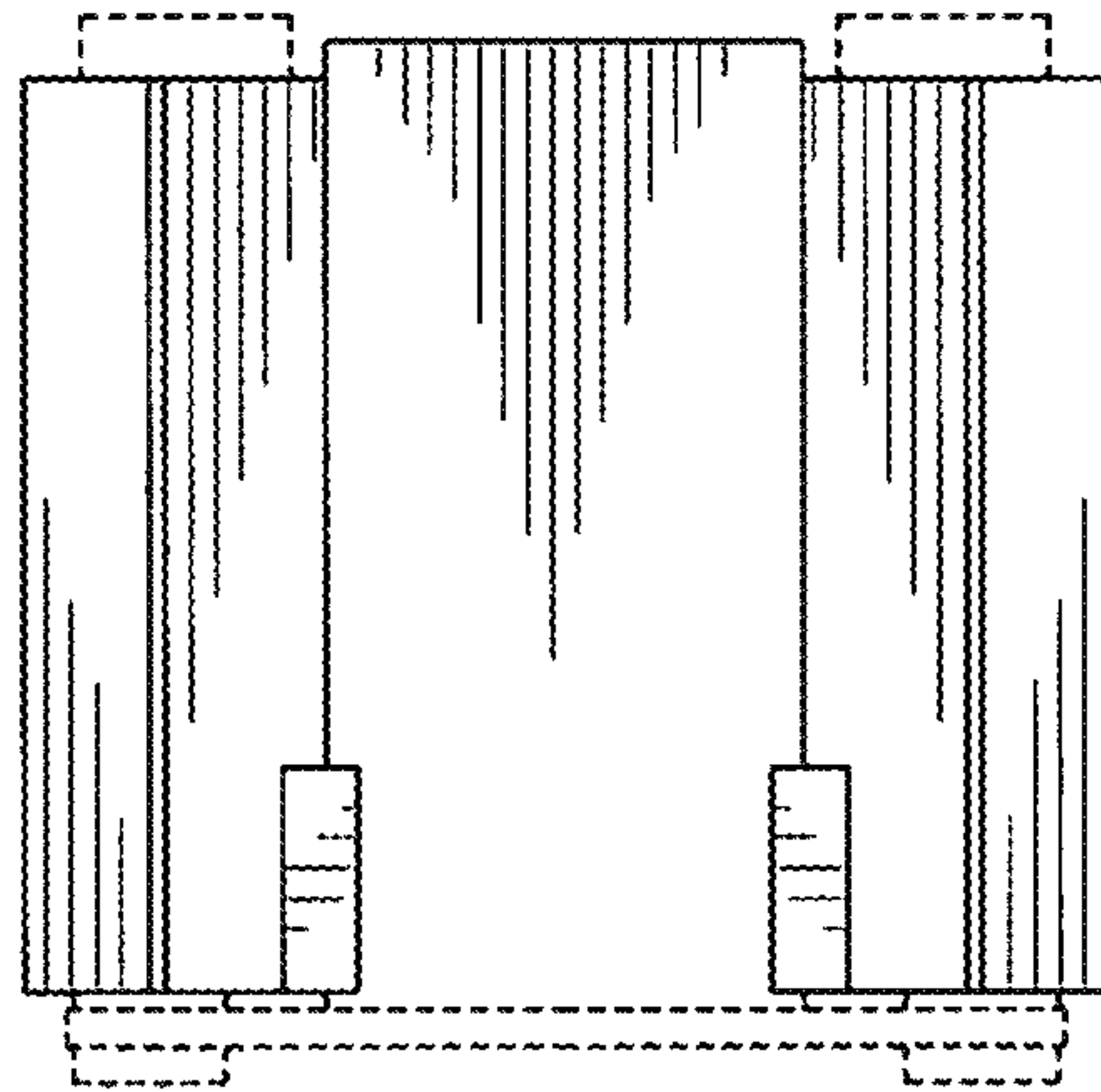


FIG. 6

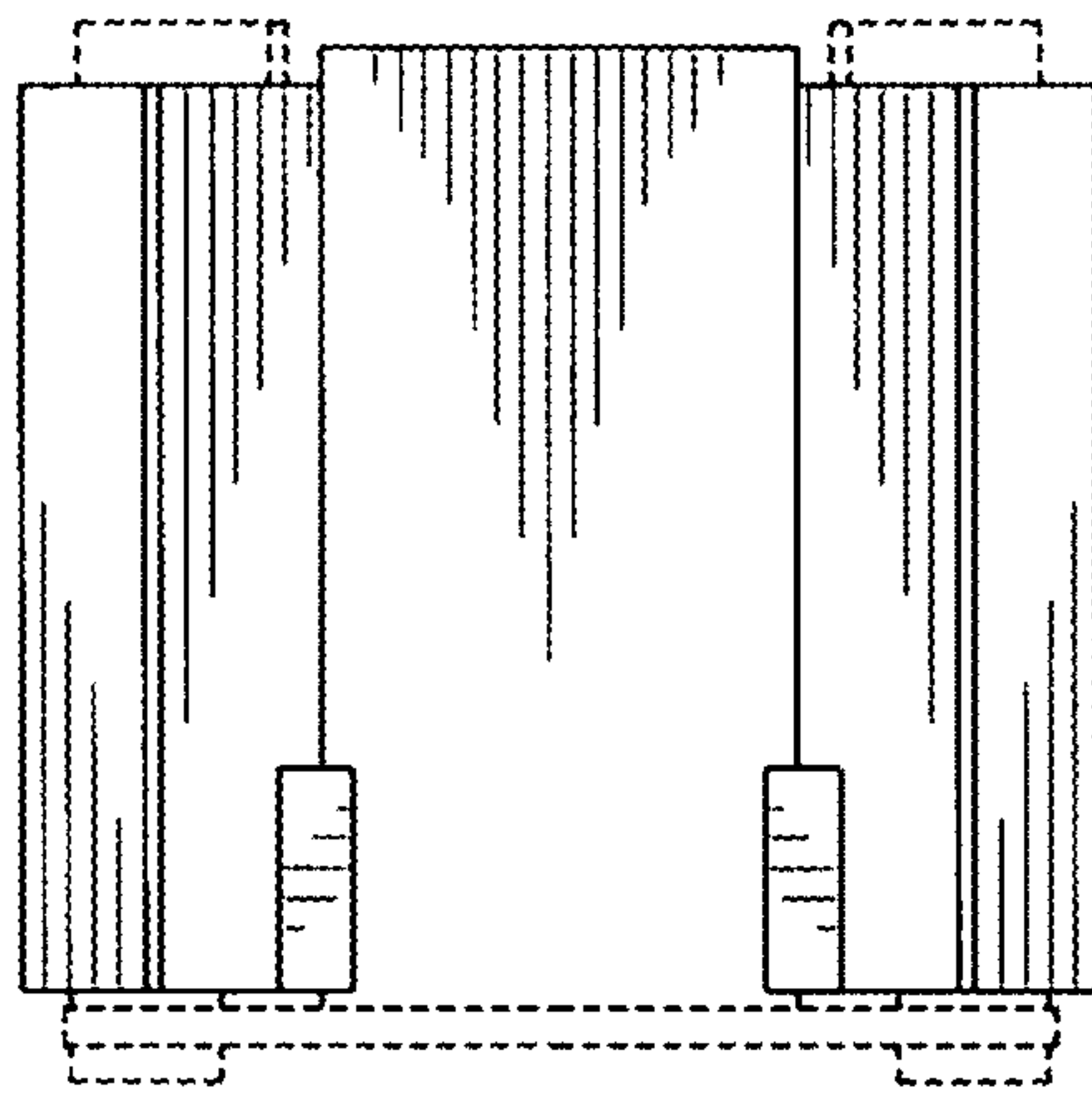


FIG. 7

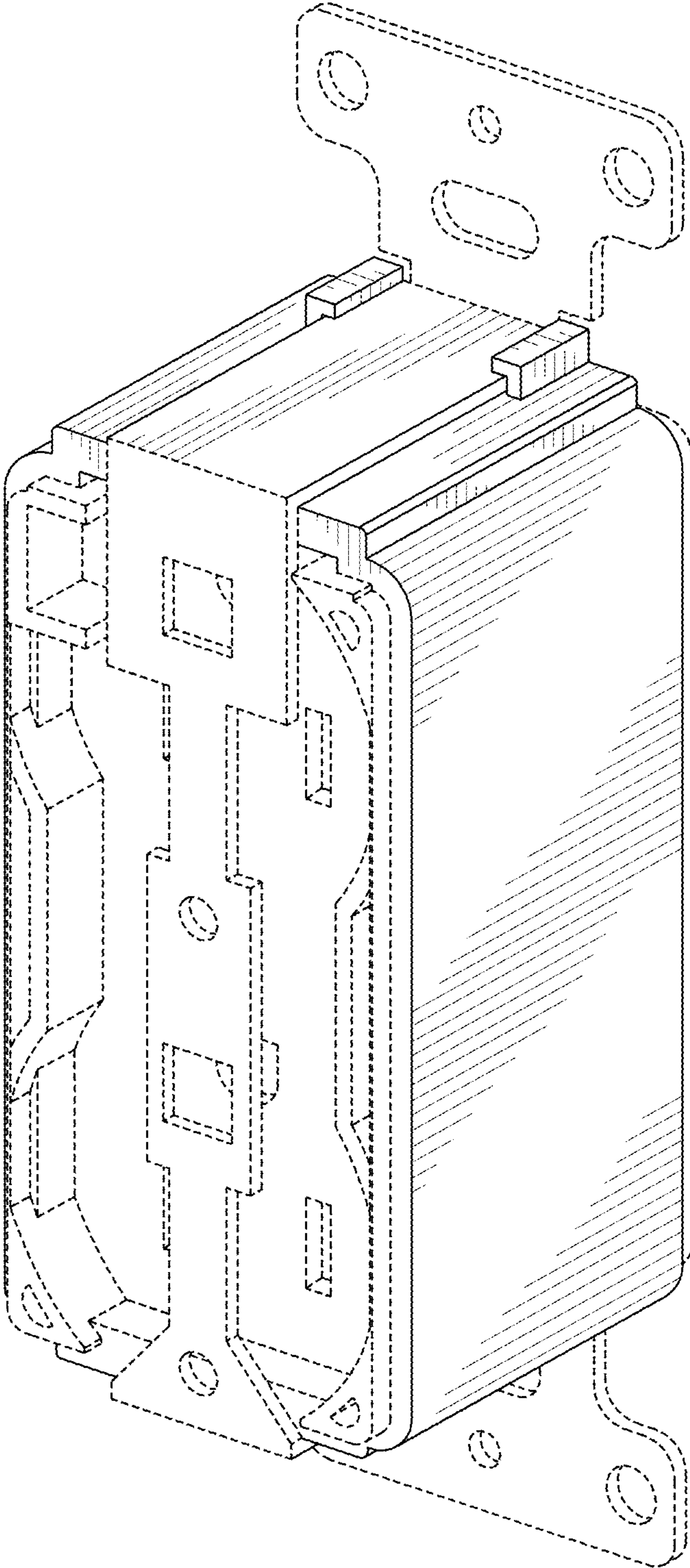


FIG. 8