



US00D832218S

(12) **United States Design Patent**
Wronski et al.

(10) **Patent No.:** **US D832,218 S**

(45) **Date of Patent:** **** Oct. 30, 2018**

(54) **JUNCTION BOX FOR REGRESSED LIGHT ENGINE**

(71) Applicant: **Cooper Technologies Company,**
Houston, TX (US)

(72) Inventors: **Grzegorz Wronski,** Peachtree City, GA (US); **Steven Walter Pyschos,** Peachtree City, GA (US); **Oliver Ernst,** Peachtree City, GA (US); **Rongxiu Huang,** Shanghai (CN)

(73) Assignee: **Cooper Technologies Company,**
Houston, TX (US)

(**) Term: **15 Years**

(21) Appl. No.: **29/617,946**

(22) Filed: **Sep. 18, 2017**

(51) **LOC (11) Cl.** **13-03**

(52) **U.S. Cl.**
USPC **D13/152**

(58) **Field of Classification Search**
USPC D13/152, 119, 147, 156, 177, 184, 107,
D13/108, 110, 123, 133, 137.1–137.4,
D13/138.1–138.2, 139.1–139.8, 153, 154,
D13/146, 158; D8/350, 351–353;
D25/119, 127, 134, 48.4; D26/74, 138
CPC F21S 8/02; F21V 23/00; F21V 23/001;
H01R 25/00; H01R 25/006; H01R 11/00;
H01R 9/00; F16J 13/10; F16B 5/02
See application file for complete search history.

(56) **References Cited**

U.S. PATENT DOCUMENTS

2,697,535 A * 12/1954 Olson H02G 3/085
220/3.2
4,757,908 A * 7/1988 Medlin, Sr. H02G 3/126
220/3.7
4,770,311 A * 9/1988 Wang H02G 3/123
220/3.2

4,929,187 A * 5/1990 Hudson F21V 21/03
439/334
5,216,203 A * 6/1993 Gower H02G 3/088
174/152 G
5,690,423 A * 11/1997 Hentz F21S 8/02
248/302
6,777,615 B1 * 8/2004 Gretz F04D 25/088
174/491
7,064,269 B2 * 6/2006 Smith H01R 33/46
174/481

(Continued)

OTHER PUBLICATIONS

Utilitech Pro White Integrated Led Remodel Recessed Light Kit;
Loew's website; Oct. 2, 2016.

(Continued)

Primary Examiner — Rosemary K Tarcza
Assistant Examiner — Christy M Nemeth
(74) *Attorney, Agent, or Firm* — King & Spalding LLP

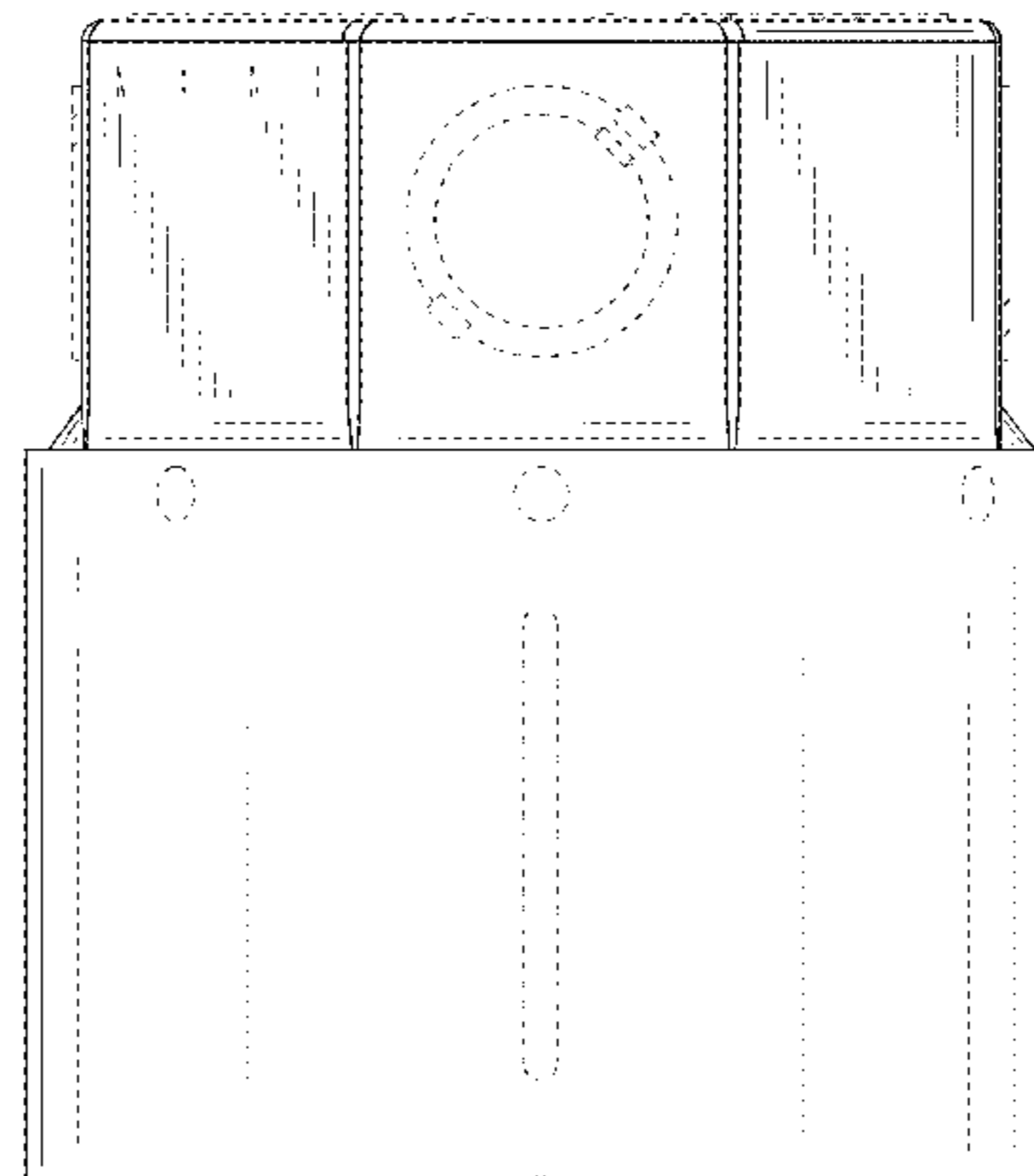
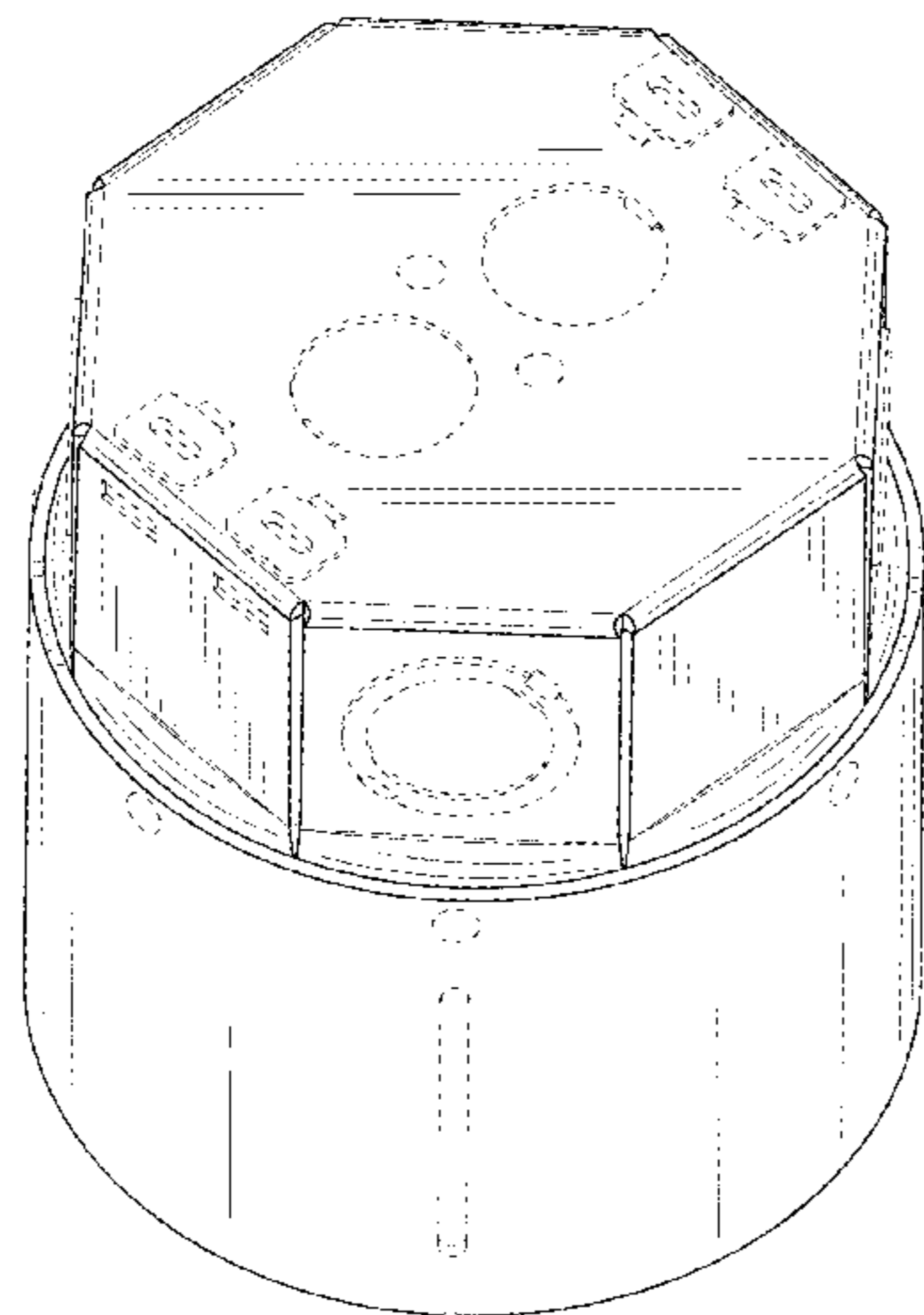
(57) **CLAIM**

The ornamental design for a junction box for regressed light engine, as shown and described.

DESCRIPTION

FIG. 1 is a top perspective view of a junction box for regressed light engine, showing our new design;
FIG. 2 is a first side view thereof;
FIG. 3 is a second side view thereof;
FIG. 4 is a third side view thereof;
FIG. 5 is a fourth side view thereof;
FIG. 6 is a top plan view thereof;
FIG. 7 is a bottom plan view thereof; and,
FIG. 8 is a bottom perspective view thereof.
The broken lines shown in the figures illustrate portions of the junction box for regressed light engine that form no part of the claimed design.

1 Claim, 8 Drawing Sheets



(56)

References Cited

U.S. PATENT DOCUMENTS

7,297,870 B1 * 11/2007 Sartini H02G 3/125
174/50
7,429,025 B1 * 9/2008 Gretz H02G 3/20
248/200.1
7,771,094 B2 * 8/2010 Goode H02G 3/20
362/145
D633,099 S * 2/2011 Van de Ven D15/1
D642,317 S * 7/2011 Rashidi D26/74
D656,262 S * 3/2012 Yoshinobu D26/74
D673,322 S * 12/2012 Van de Ven D26/113
D676,263 S * 2/2013 Birke D6/695
D677,634 S * 3/2013 Korcz D13/152
9,065,264 B2 * 6/2015 Cooper H02G 3/16
9,068,722 B2 * 6/2015 Wronski F21V 17/02
D735,012 S * 7/2015 Cowie D8/107
D742,325 S * 11/2015 Leung D13/152

9,281,671 B2 * 3/2016 Sathyanarayana H02G 3/08
D766,185 S * 9/2016 Hagarty D13/152
D791,711 S * 7/2017 Holton D13/152
D791,996 S * 7/2017 Holscher D26/74
9,863,619 B2 * 1/2018 Mak F21V 23/002
9,964,266 B2 * 5/2018 Danesh F21S 8/02
2015/0009676 A1 * 1/2015 Danesh F21S 8/02
362/296.01
2015/0233556 A1 * 8/2015 Danesh F21S 8/02
362/365
2017/0138576 A1 * 5/2017 Peng F21S 8/02

OTHER PUBLICATIONS

3" Recessed Light Kit with Swivel Trim and 50 Watt Bulbs, Remodeler's Non-IC Cans, Contractor Pack of 2 Lights; Altair Lighting, Amazon Dec. 19, 2014.

* cited by examiner

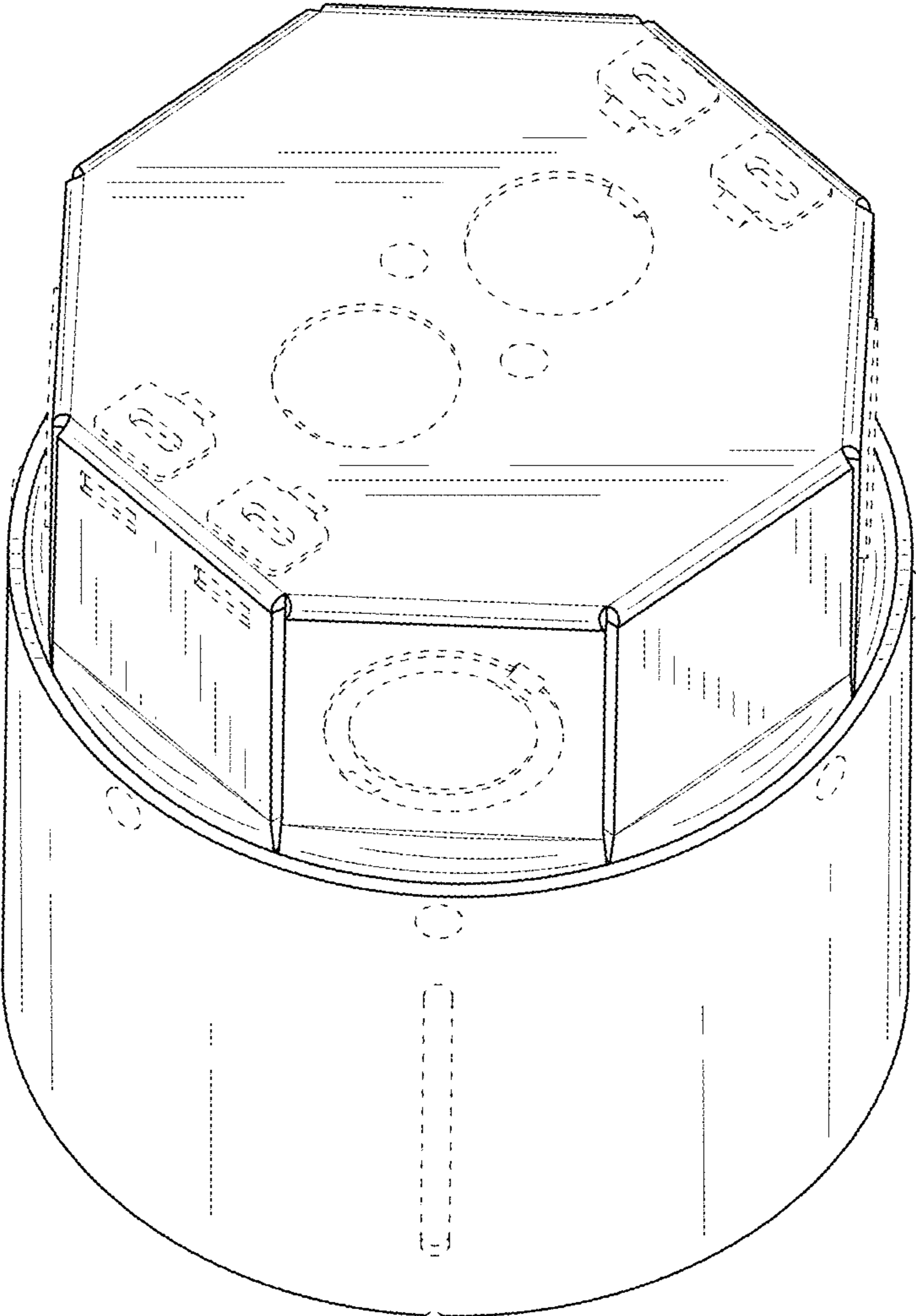


FIG. 1

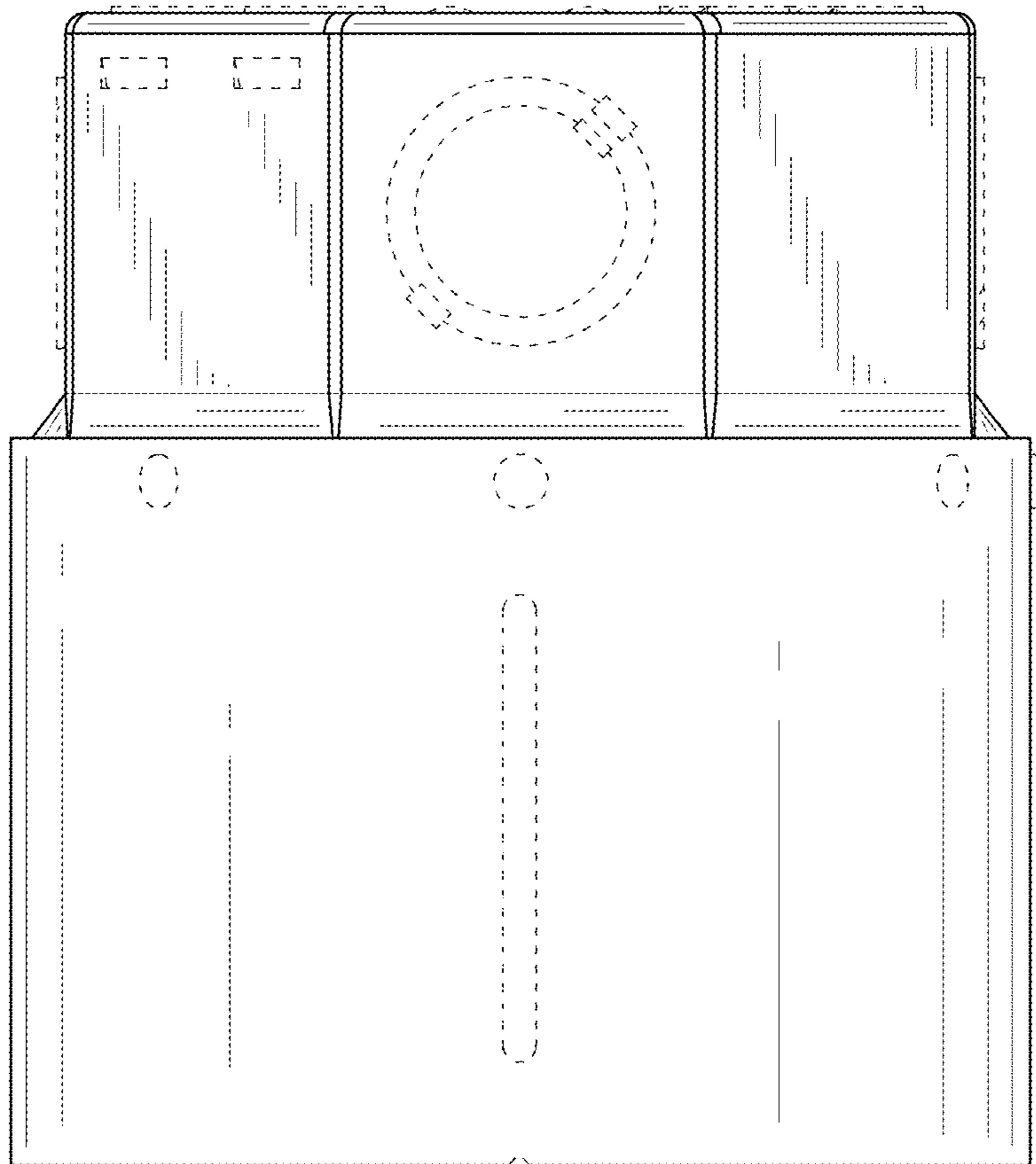


FIG. 2

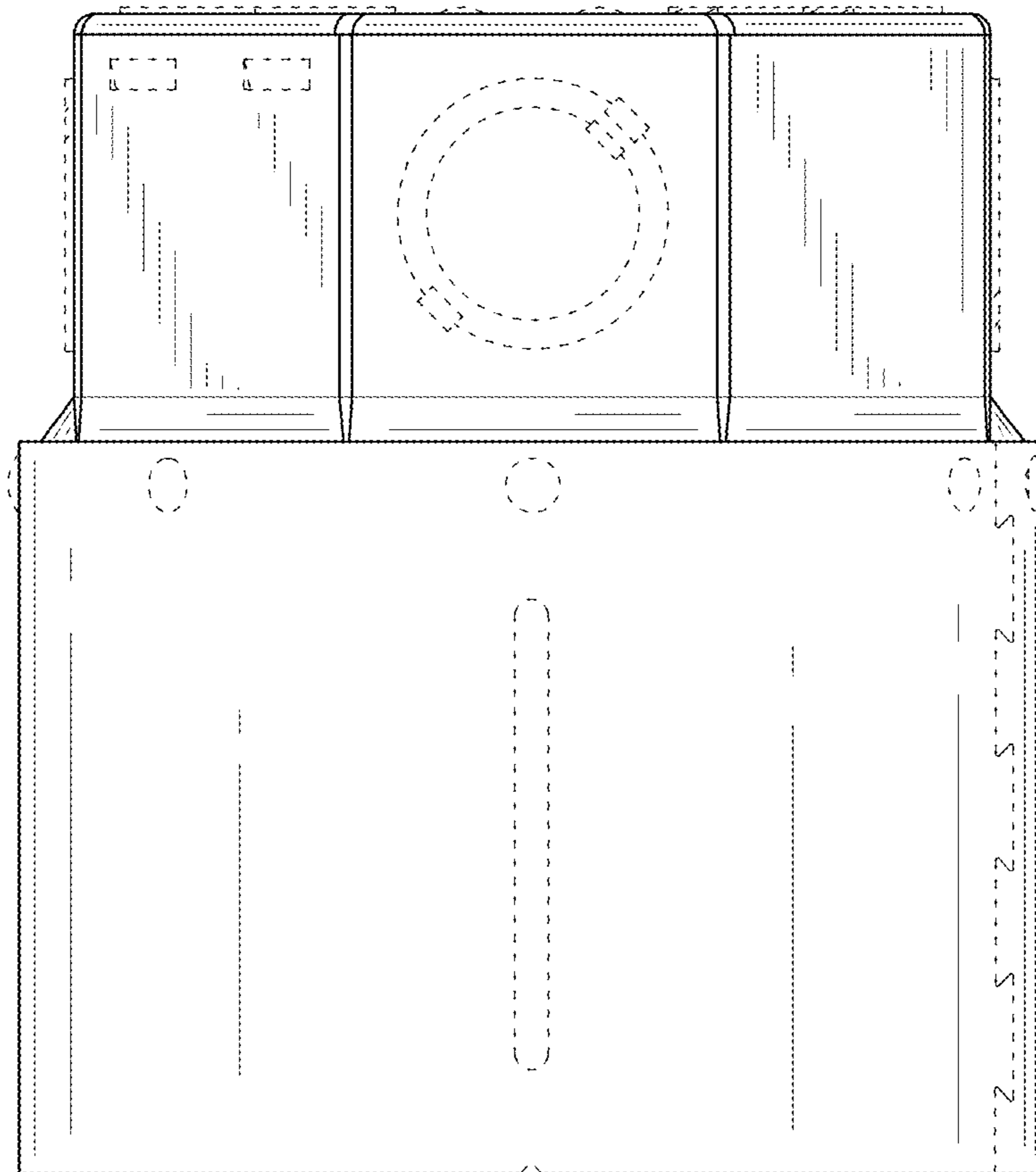


FIG. 3

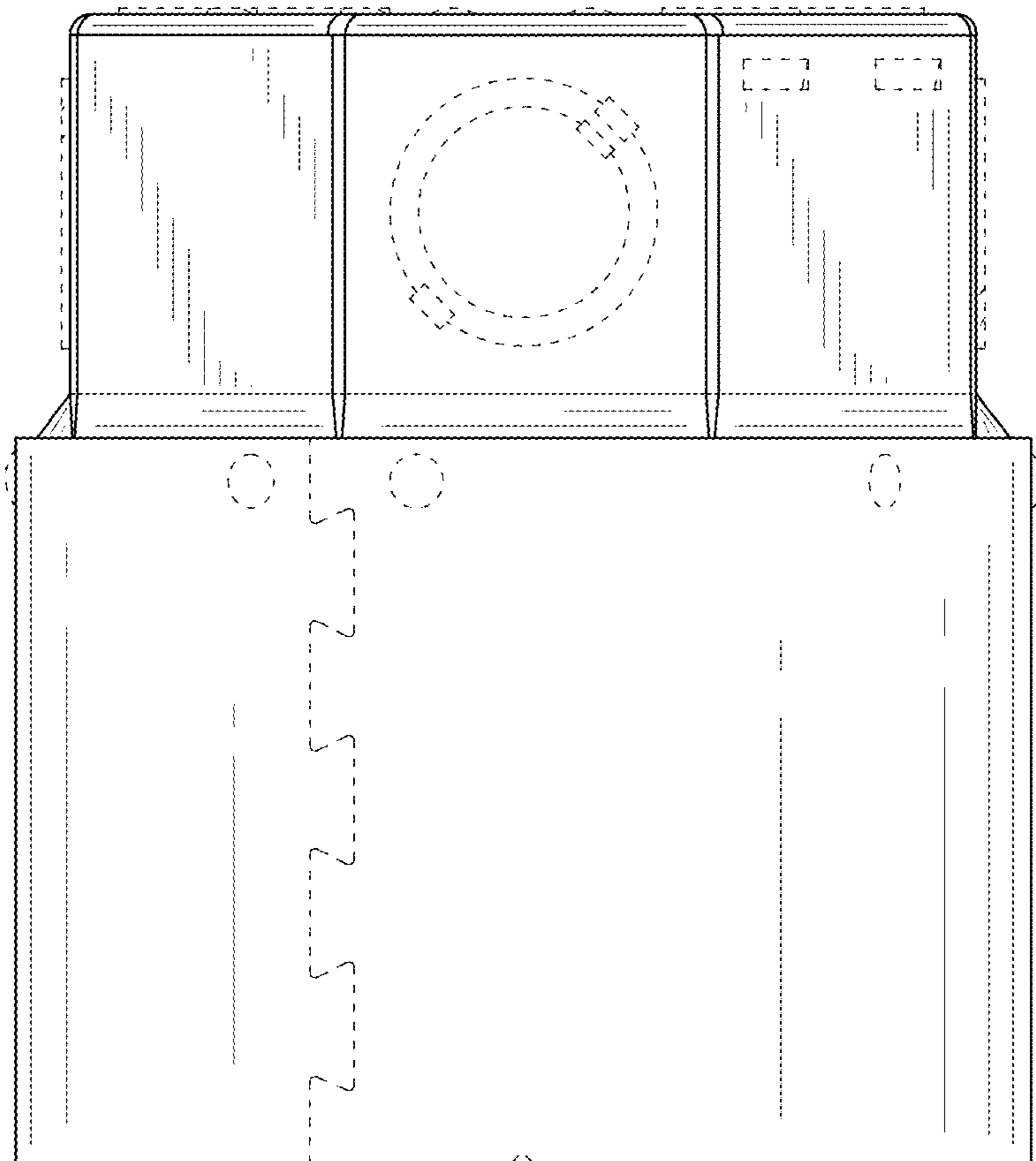


FIG. 4

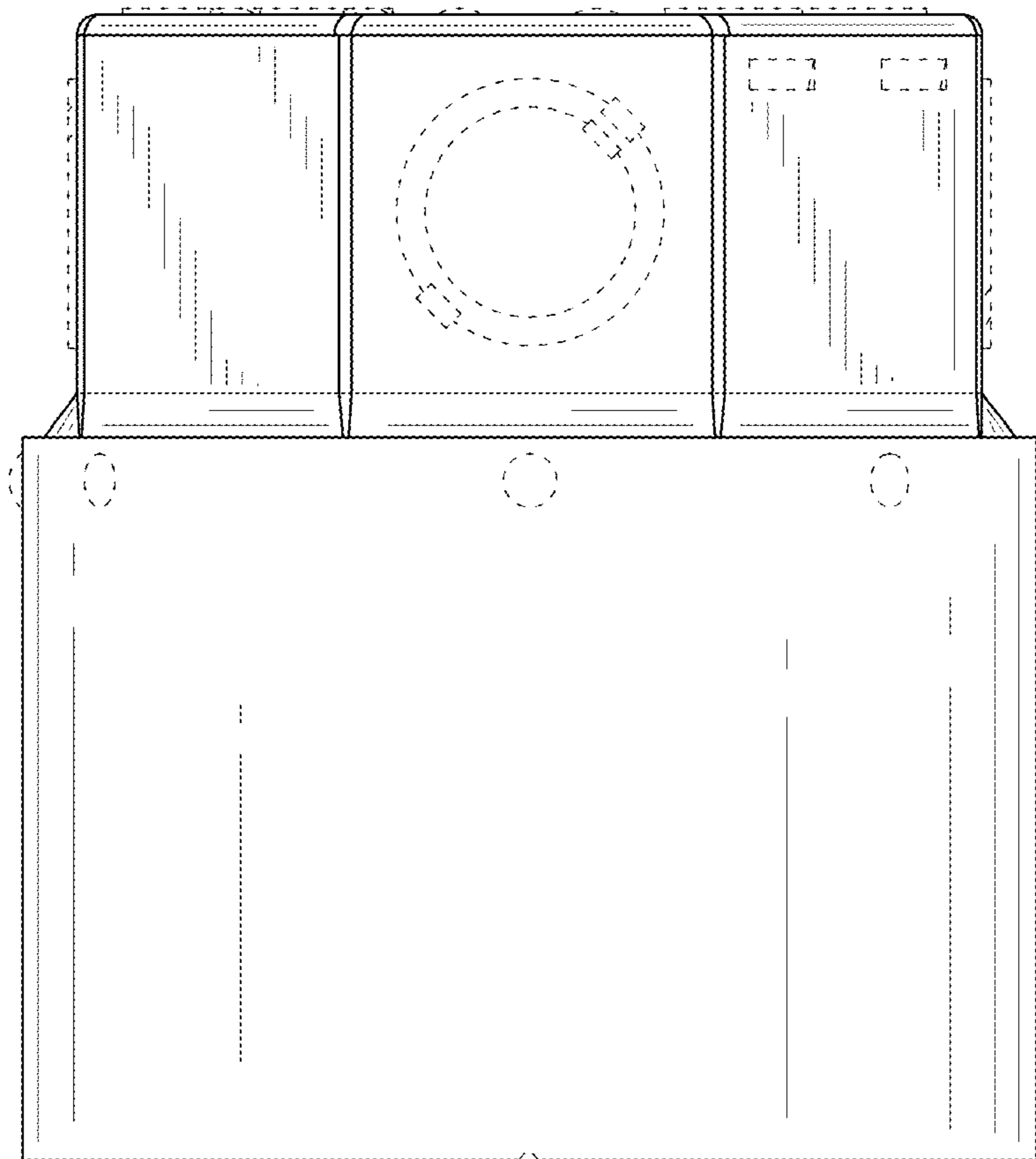


FIG. 5

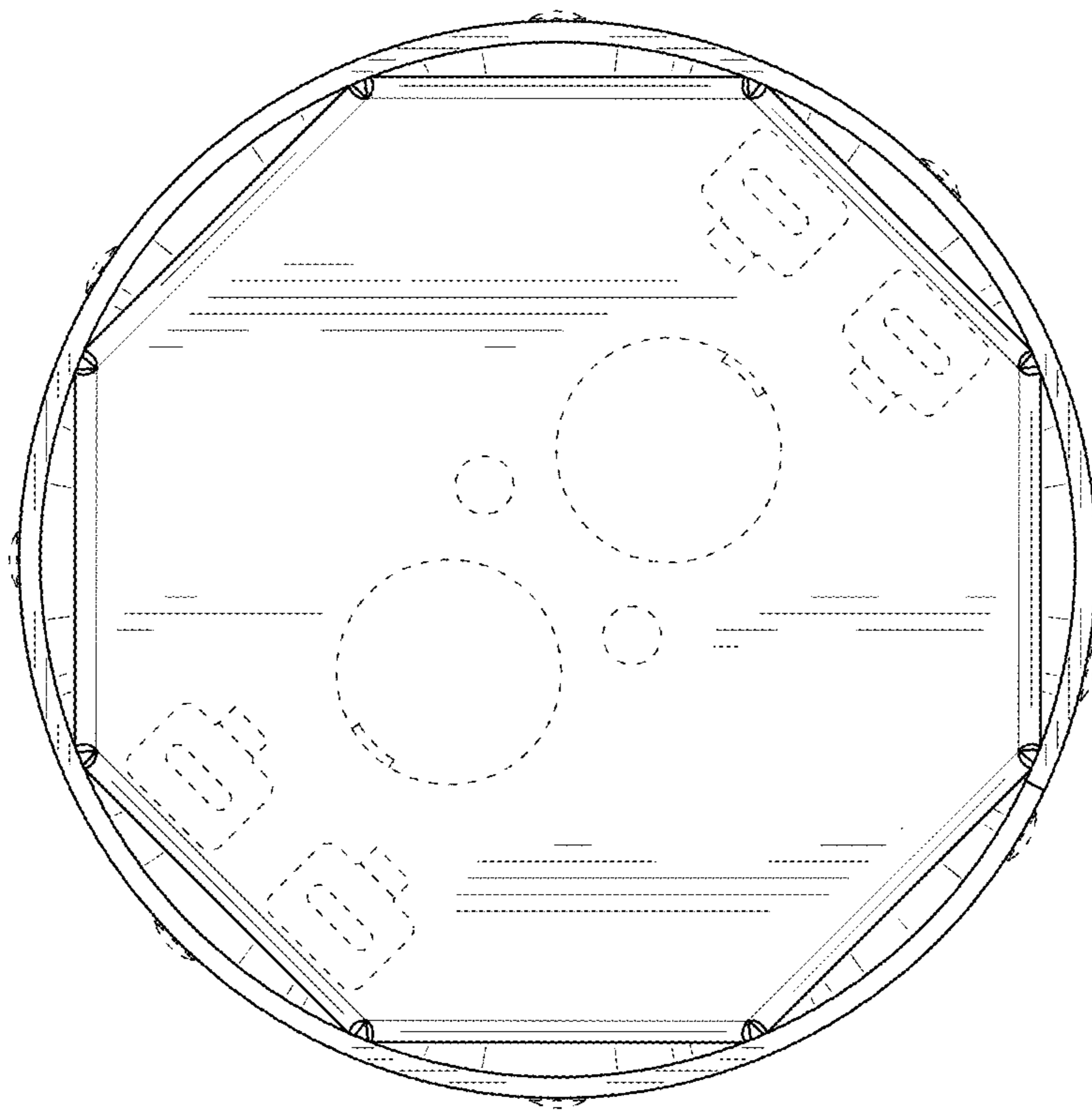


FIG. 6

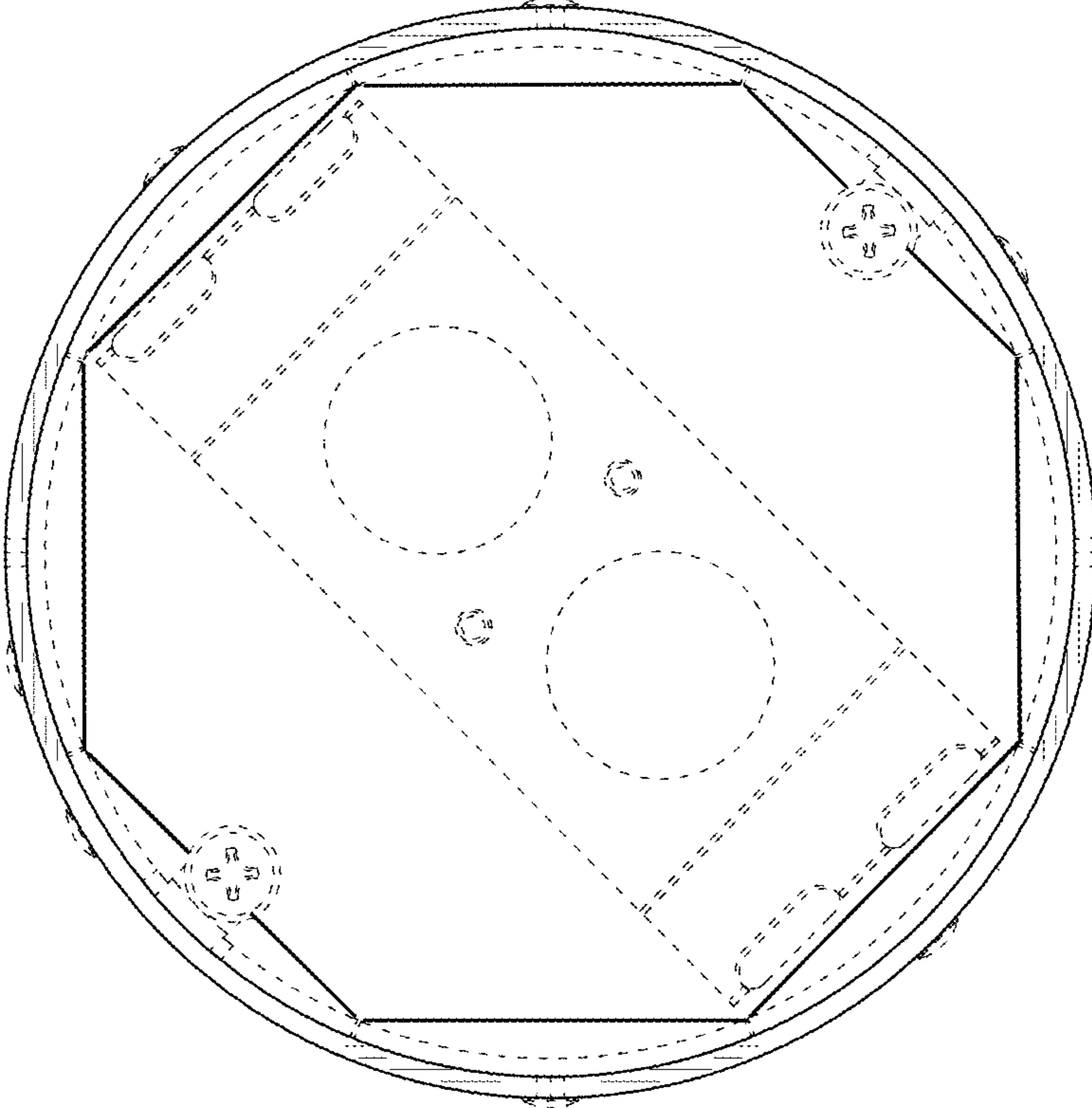


FIG. 7

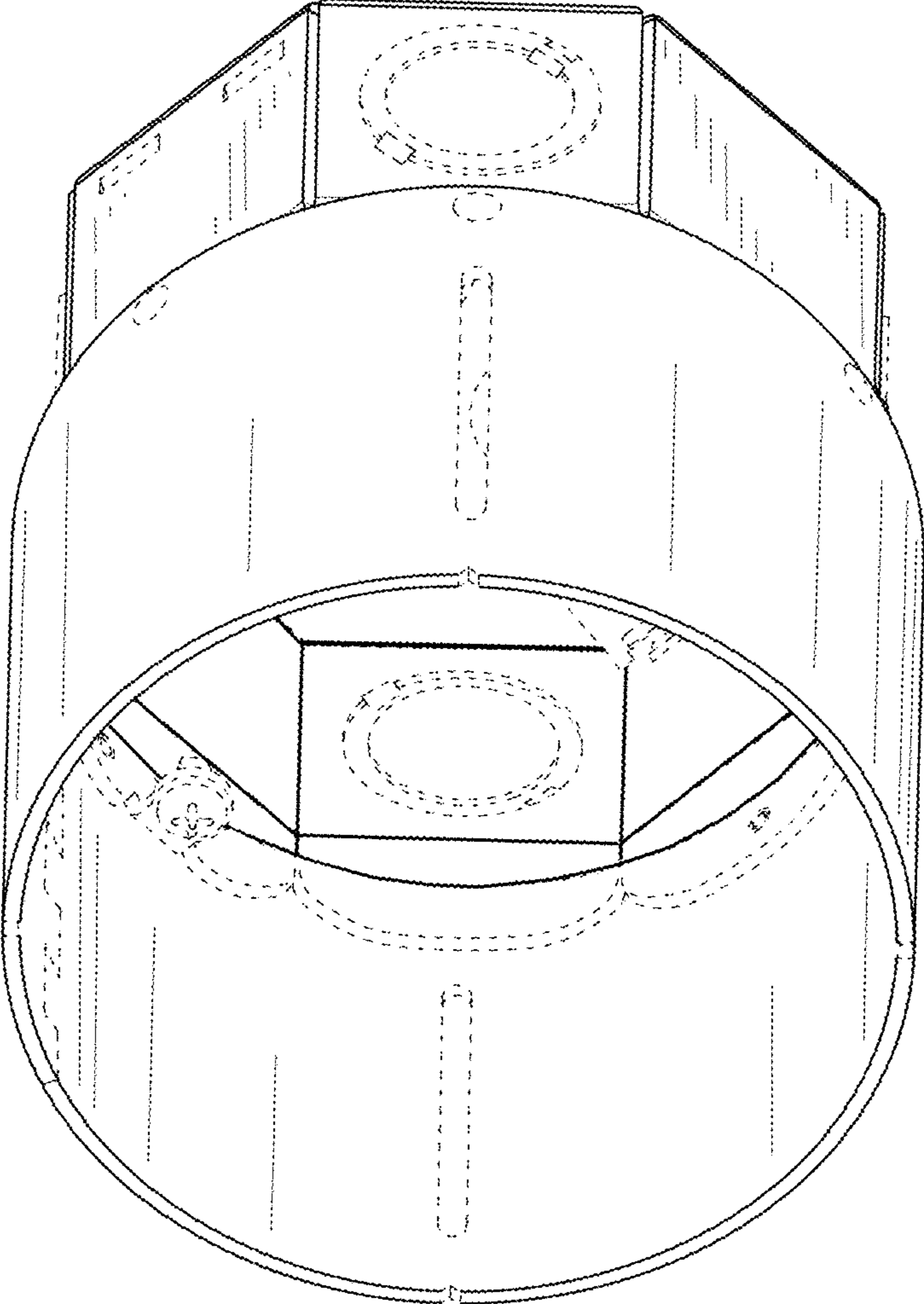


FIG. 8