



US00D832217S

(12) **United States Design Patent**
Lai et al.

(10) **Patent No.:** **US D832,217 S**
(45) **Date of Patent:** **** Oct. 30, 2018**

(54) **USB CONNECTOR**

(71) Applicant: **MIEZO INC.**, Taipei (TW)

(72) Inventors: **Wei-Ren Lai**, New Taipei (TW);
Wei-Hsun Wang, New Taipei (TW);
Chao-Ting Wu, New Taipei (TW);
Yuan-Ping Liu, New Taipei (TW);
Kai-Wen Cheng, Taipei (TW);
Chiao-Yu Hsiao, Tainan (TW)

(73) Assignee: **MIEZO INC.**, Taipei (TW)

(**) Term: **15 Years**

(21) Appl. No.: **29/611,581**

(22) Filed: **Jul. 24, 2017**

(51) **LOC (11) Cl.** **13-03**

(52) **U.S. Cl.**
USPC **D13/146; D13/147**

(58) **Field of Classification Search**
USPC D13/133, 146, 147, 154, 184, 199
CPC H01R 13/58; H01R 13/5845; H01R 13/02;
H01R 13/03; H01R 13/405; H01R
13/648; H01R 13/506; H01R 13/516;
H01R 12/57; H01R 13/6585; H01R
24/60; H01R 2107/00; H01R 13/518;
H01R 13/627; H01R 13/6315; H01R
13/6453; H01R 13/6586; H01R 13/6597;
B29C 70/84; B29C 70/88; B29C 70/885

See application file for complete search history.

(56) **References Cited**

U.S. PATENT DOCUMENTS

5,676,569	A *	10/1997	Davis	H01R 13/518 439/540.1
D501,650	S *	2/2005	Wang	D13/147
D550,627	S *	9/2007	Su	D13/147
D713,791	S *	9/2014	Fleetwood	D13/146
D740,291	S *	10/2015	Turksu	D14/433
D814,471	S *	4/2018	Kim	D14/433
D820,264	S *	6/2018	Lai	D14/433

* cited by examiner

Primary Examiner — Daniel Bui

(74) *Attorney, Agent, or Firm* — Leong C. Lei

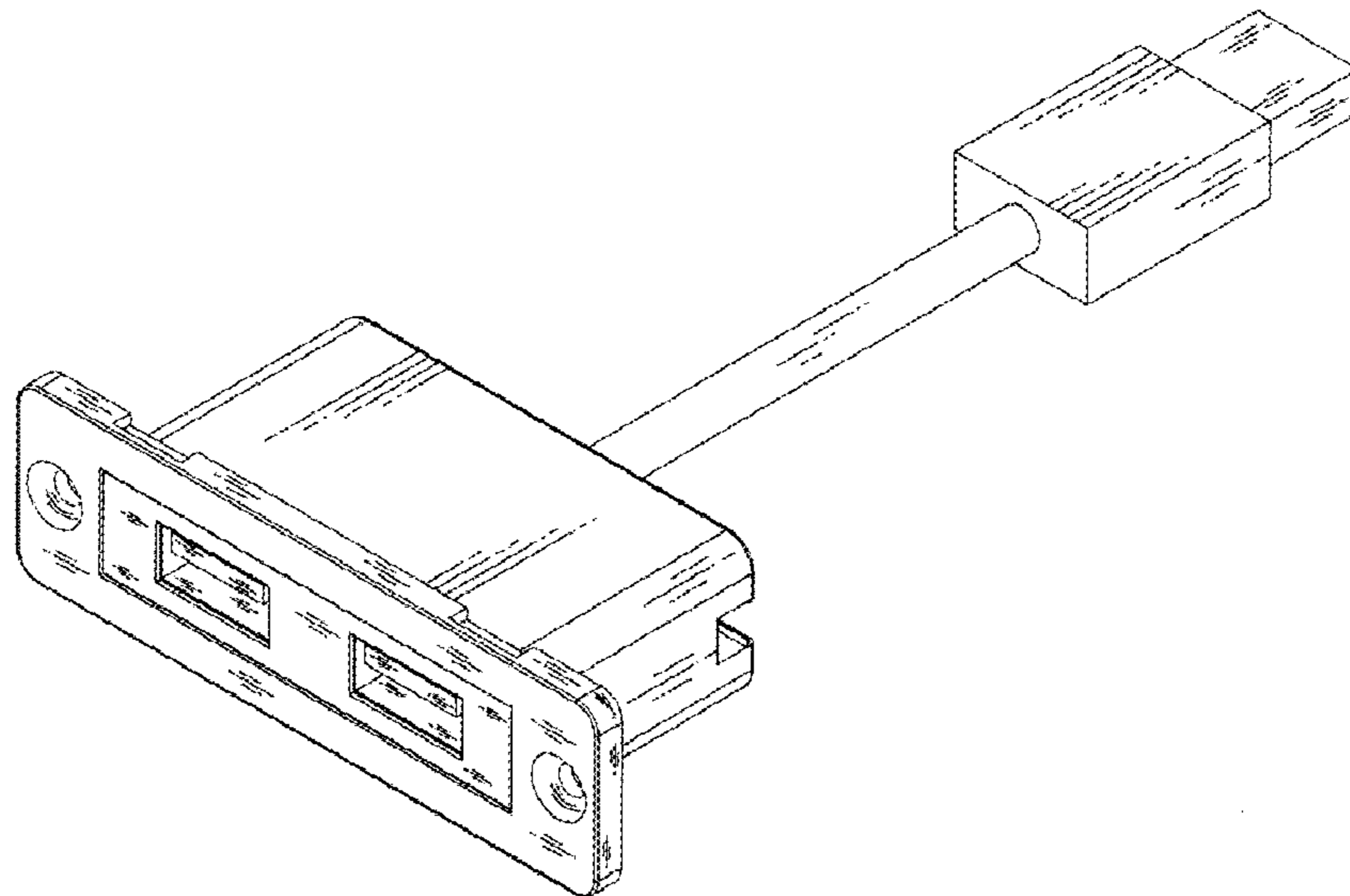
(57) **CLAIM**

The ornamental design for a USB connector, as shown and described.

DESCRIPTION

FIG. 1 is a perspective view of a USB connector showing our new design;
FIG. 2 is a front elevational view thereof;
FIG. 3 is a rear elevational view thereof;
FIG. 4 is a left side view thereof;
FIG. 5 is a right side view thereof;
FIG. 6 is a top plan view thereof; and,
FIG. 7 is a bottom plan view thereof.

1 Claim, 5 Drawing Sheets



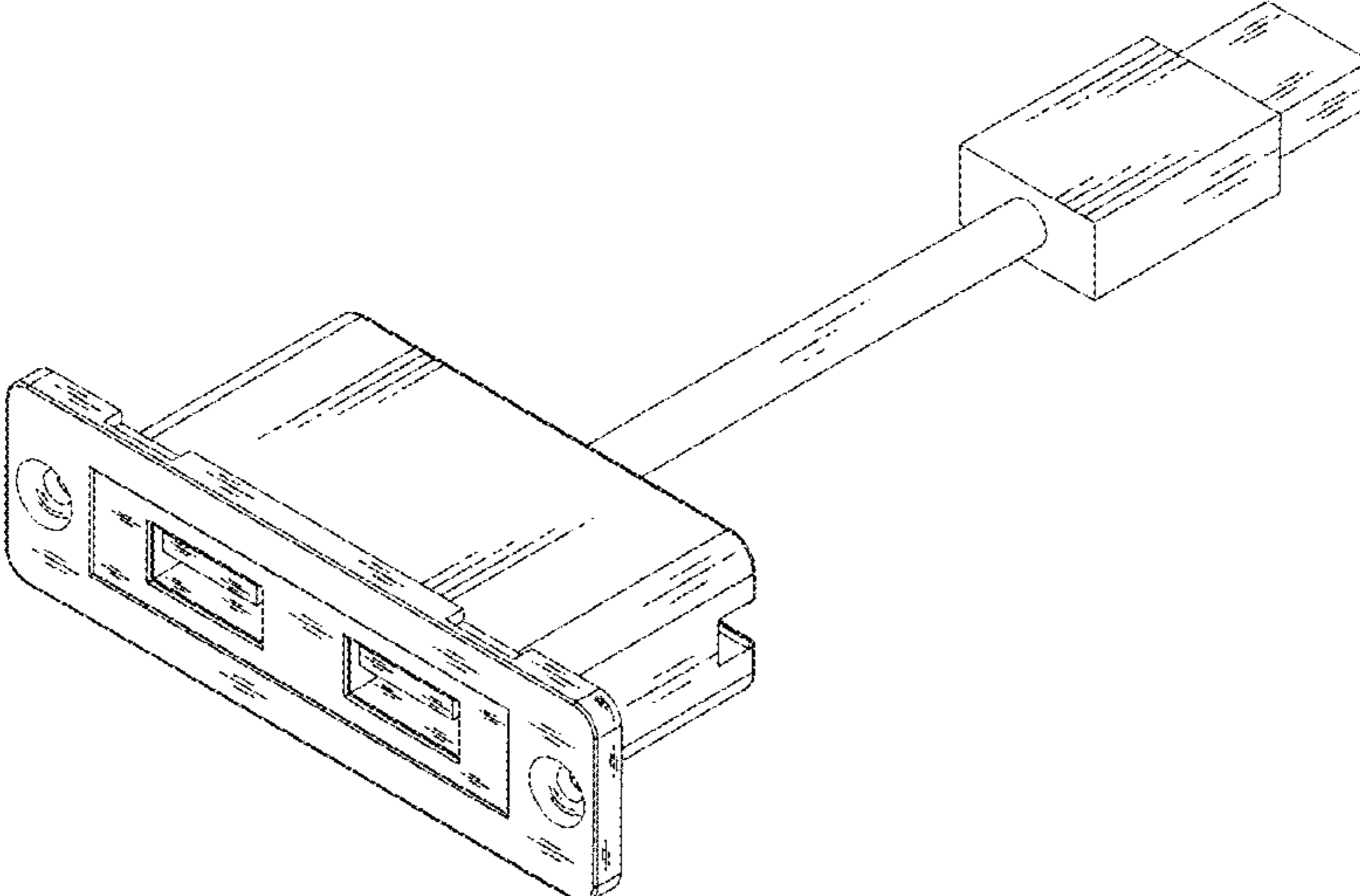


Fig. 1

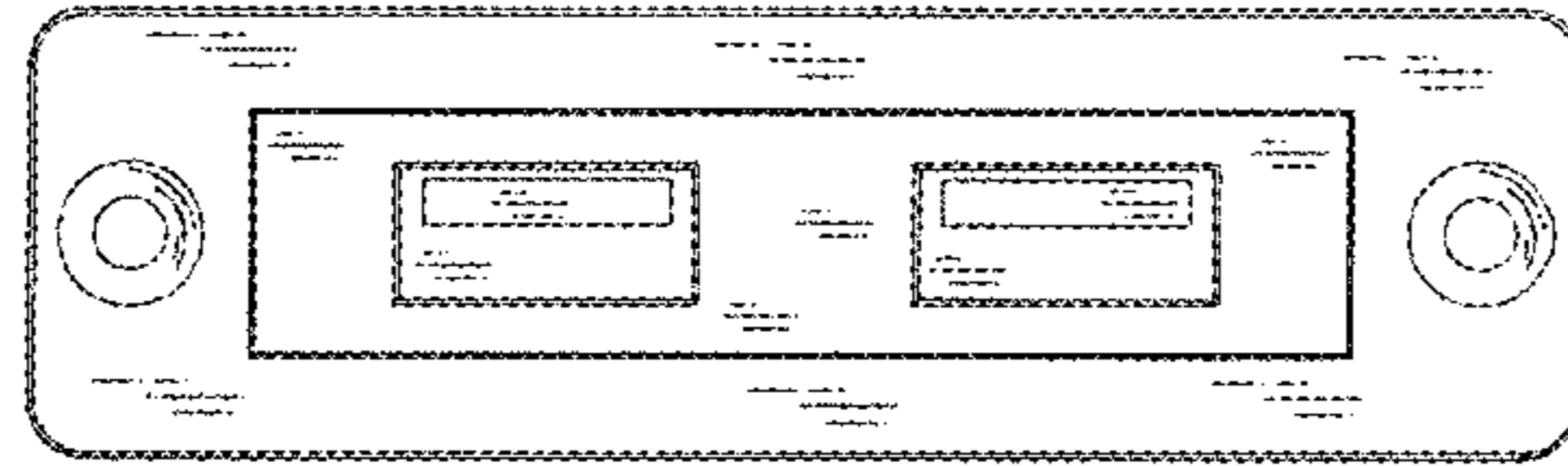


Fig. 2

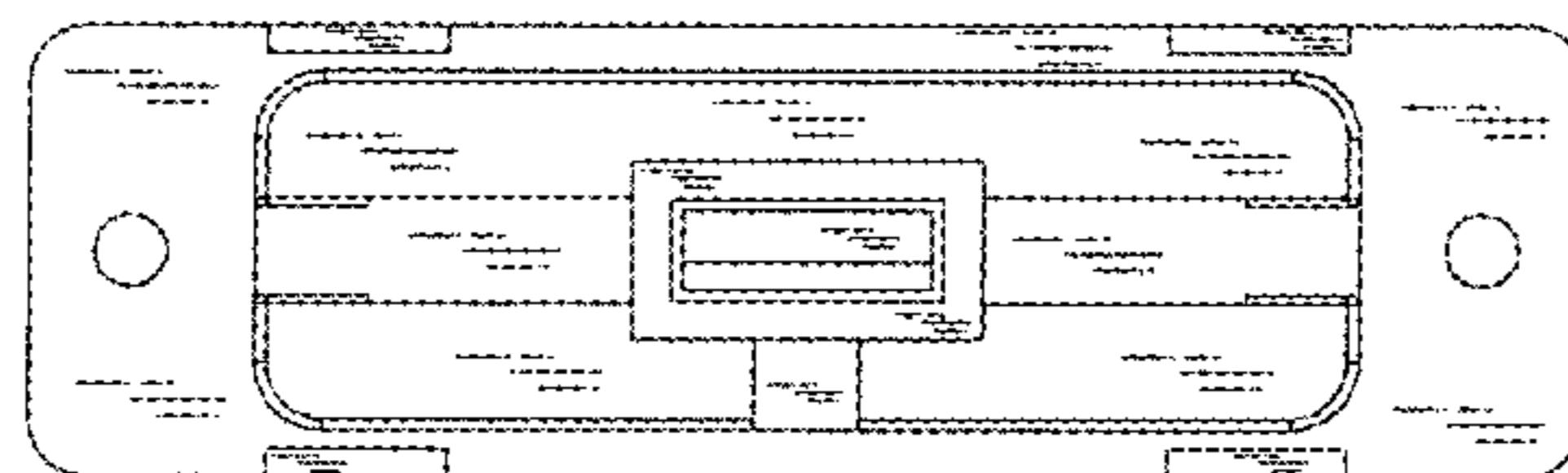


Fig. 3

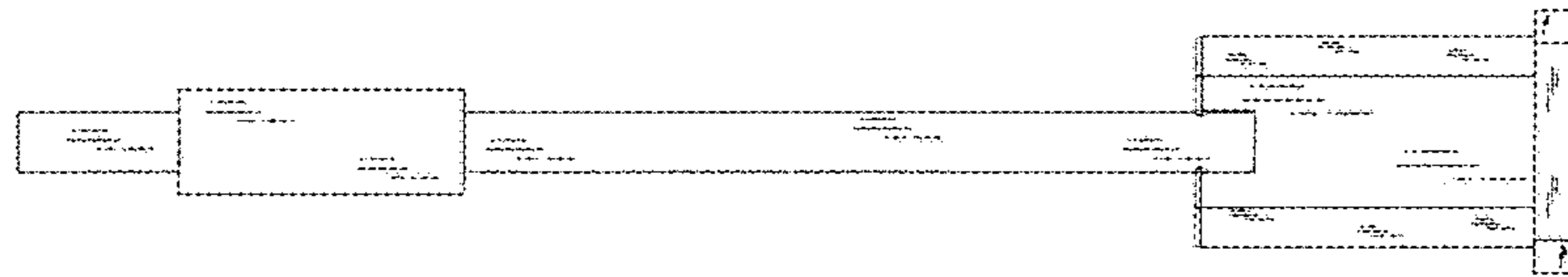


Fig. 4

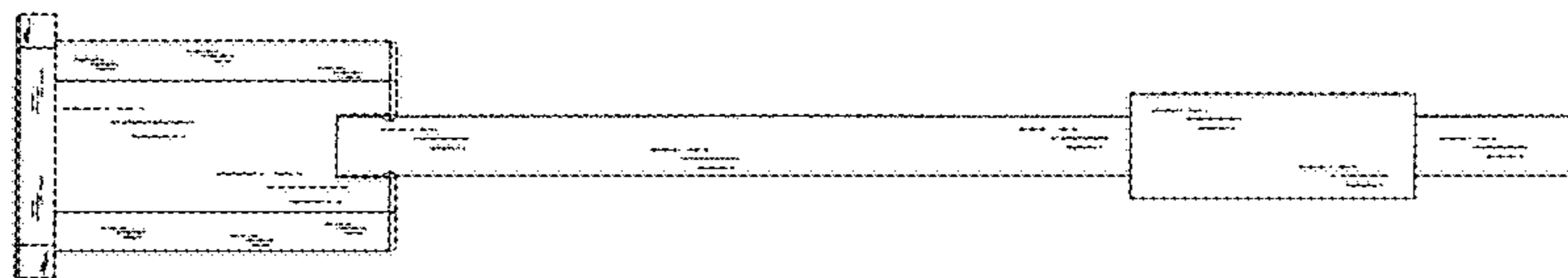


Fig. 5

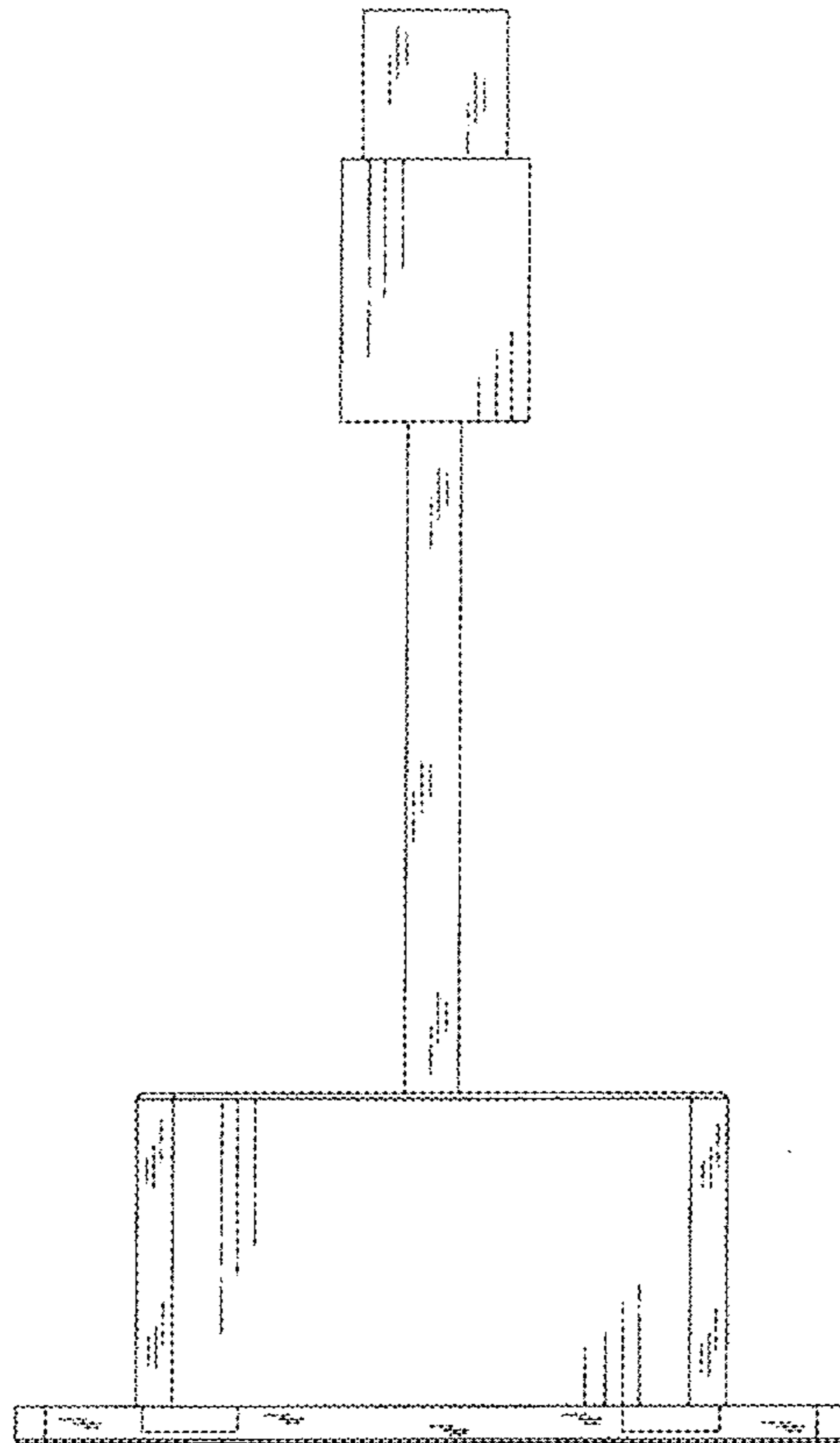


Fig. 6

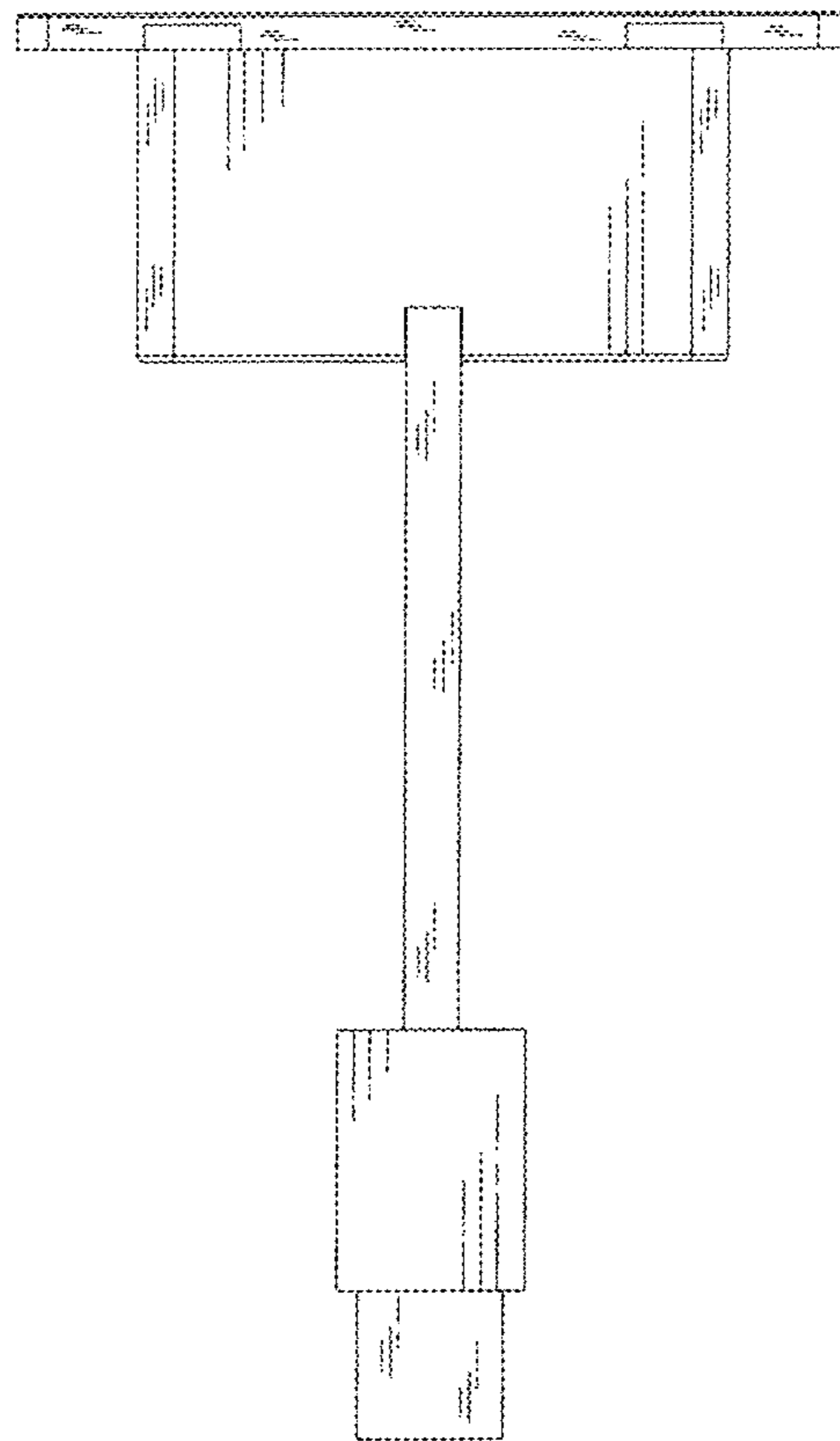


Fig. 7