



US00D832215S

(12) **United States Design Patent**  
**Xu**

(10) **Patent No.:** **US D832,215 S**

(45) **Date of Patent:** **\*\* Oct. 30, 2018**

(54) **SOCKET**

(71) Applicant: **Guangdong BESTEK E-commerce Co., Ltd.**, Shenzhen (CN)

(72) Inventor: **Xinhua Xu**, Shenzhen (CN)

(73) Assignee: **GUANGDONG BESTEK E-COMMERCE CO., LTD.**, Shenzhen (CN)

(\*\*) Term: **15 Years**

(21) Appl. No.: **29/631,143**

(22) Filed: **Dec. 27, 2017**

(30) **Foreign Application Priority Data**

Oct. 25, 2017 (CN) ..... 2017 3 0512951

(51) **LOC (11) Cl.** ..... **13-03**

(52) **U.S. Cl.**  
USPC ..... **D13/137.2**

(58) **Field of Classification Search**

USPC ..... D13/137.1–137.4, 138.1–138.2,  
D13/139.1–139.8, 152–154, 108, 110,  
D13/123, 133, 146, 147, 156, 158, 160;  
D14/433, 434

CPC .. H01R 25/00; H01R 25/006; H01R 13/6675;  
H01R 13/44; H01R 13/627; H01R  
13/447; H01R 13/73; H01R 13/66; H01R  
13/60; H01R 25/165; H01R 31/06; H05K  
5/00; H05K 5/03; H03R 13/10; H03R  
13/17; H03R 13/20; H03R 13/5829;  
H01K 5/0039; H02J 7/00; H02J 7/0013;  
H02J 7/02; H02J 2007/0098; H01H 35/00

See application file for complete search history.

(56) **References Cited**

**U.S. PATENT DOCUMENTS**

D441,717 S \* 5/2001 Echito ..... D13/139.1  
D473,189 S \* 4/2003 Ho ..... D13/139.8

D535,948 S \* 1/2007 Lee ..... D13/139.8  
D680,953 S \* 4/2013 Kuo ..... D13/137.2  
D734,253 S \* 7/2015 Tinaphong ..... H02J 7/0004  
D13/108  
D742,826 S \* 11/2015 Hetzroni ..... D13/110  
D758,312 S \* 6/2016 Lin ..... D13/137.2  
D770,976 S \* 11/2016 Xu ..... D13/110  
D798,812 S \* 10/2017 Xu ..... D13/110  
D807,828 S \* 1/2018 Xu ..... D13/137.2  
D813,852 S \* 3/2018 Ni ..... D14/240

(Continued)

*Primary Examiner* — Rosemary K Tarcza

*Assistant Examiner* — Christy M Nemeth

(57) **CLAIM**

The ornamental design for a socket, as shown and described.

**DESCRIPTION**

FIG. 1 is a front perspective view of a socket showing my new design;

FIG. 2 is a rear perspective view thereof;

FIG. 3 is a front elevational view thereof;

FIG. 4 is a rear elevational view thereof;

FIG. 5 is a left side elevational view thereof;

FIG. 6 is a right side elevational view thereof;

FIG. 7 is a top plan view thereof;

FIG. 8 is a bottom plan view thereof;

FIG. 9 is a perspective view of the socket in the second state;

FIG. 10 is a perspective view of the socket in the third state;

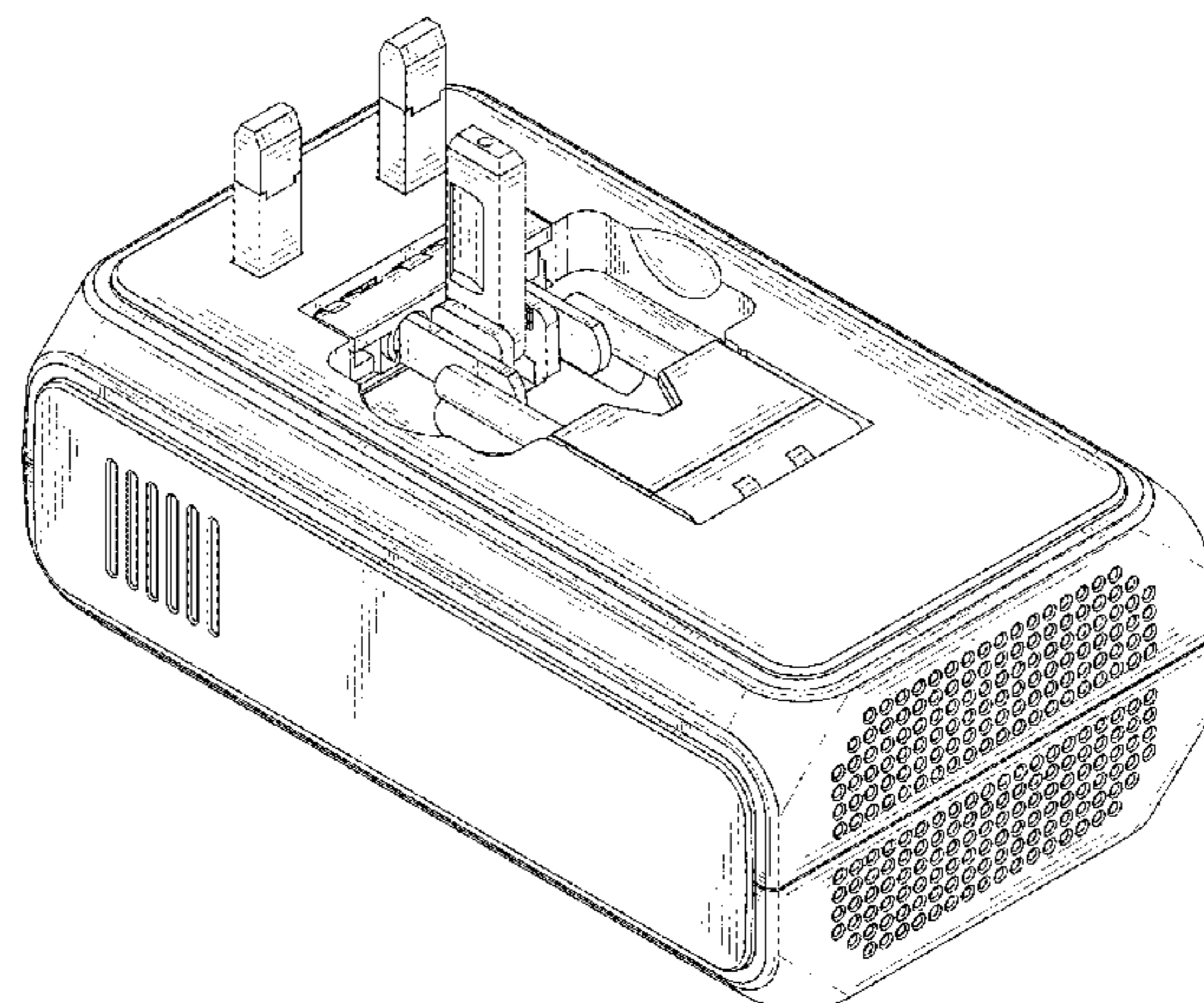
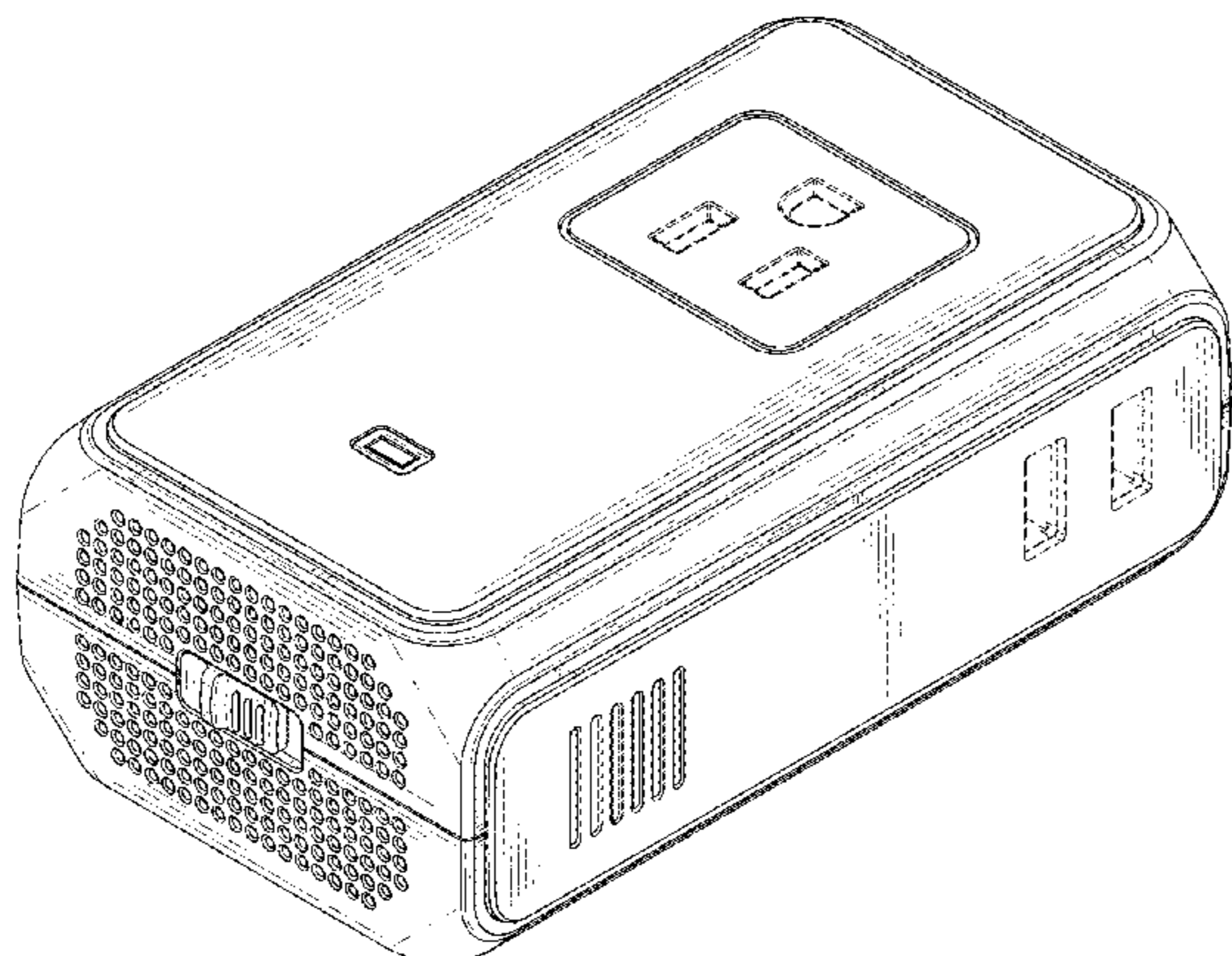
FIG. 11 is a perspective view of the socket in the fourth state;

and,

FIG. 12 is a perspective view of the socket in the fifth state.

The broken lines in the drawings are for the purpose of illustrating portions of the socket that form no part of the claimed design.

**1 Claim, 12 Drawing Sheets**



(56)

**References Cited**

U.S. PATENT DOCUMENTS

D818,953 S \* 5/2018 Xu ..... D13/110  
D820,212 S \* 6/2018 Stern ..... D13/137.2

\* cited by examiner

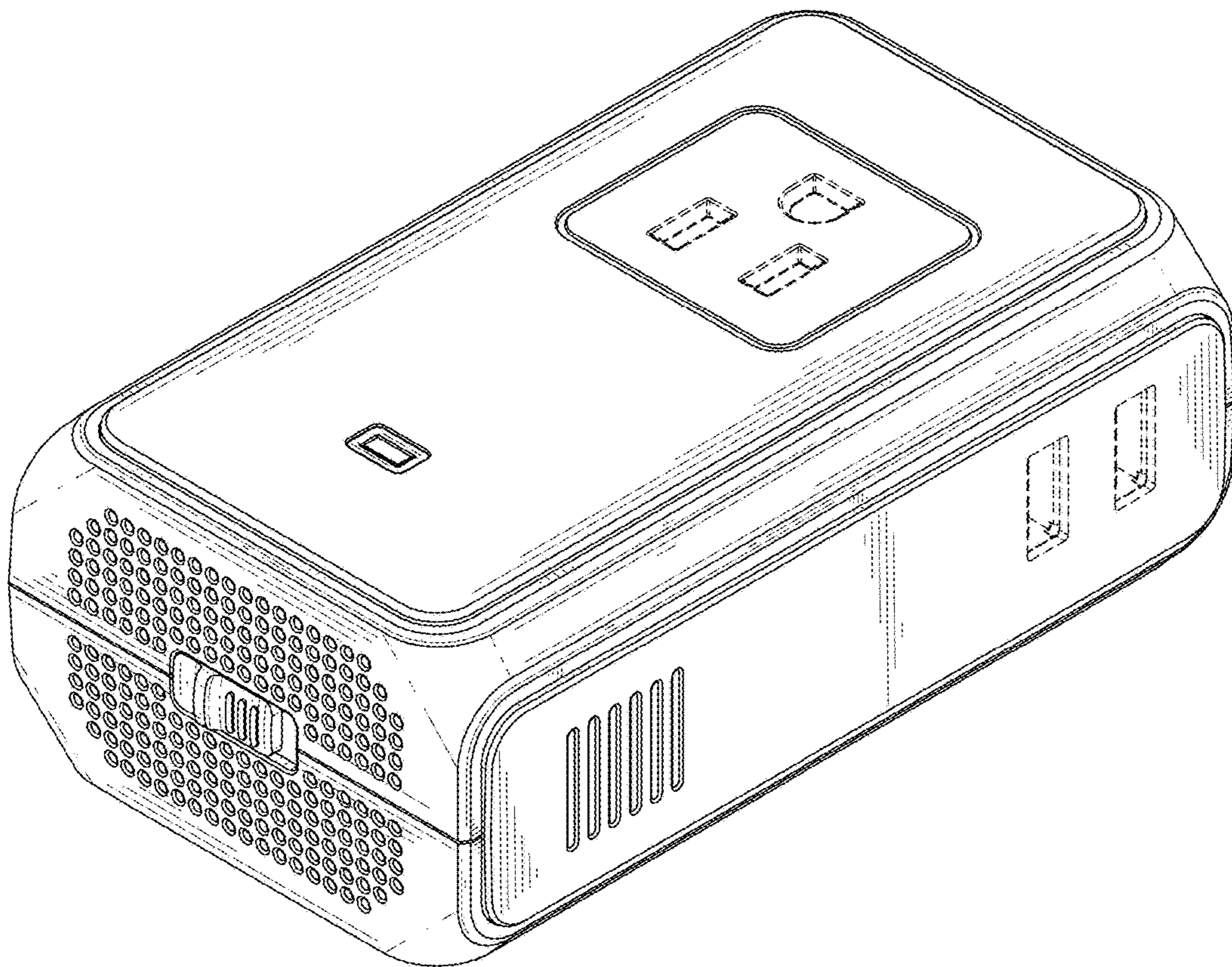


FIG. 1



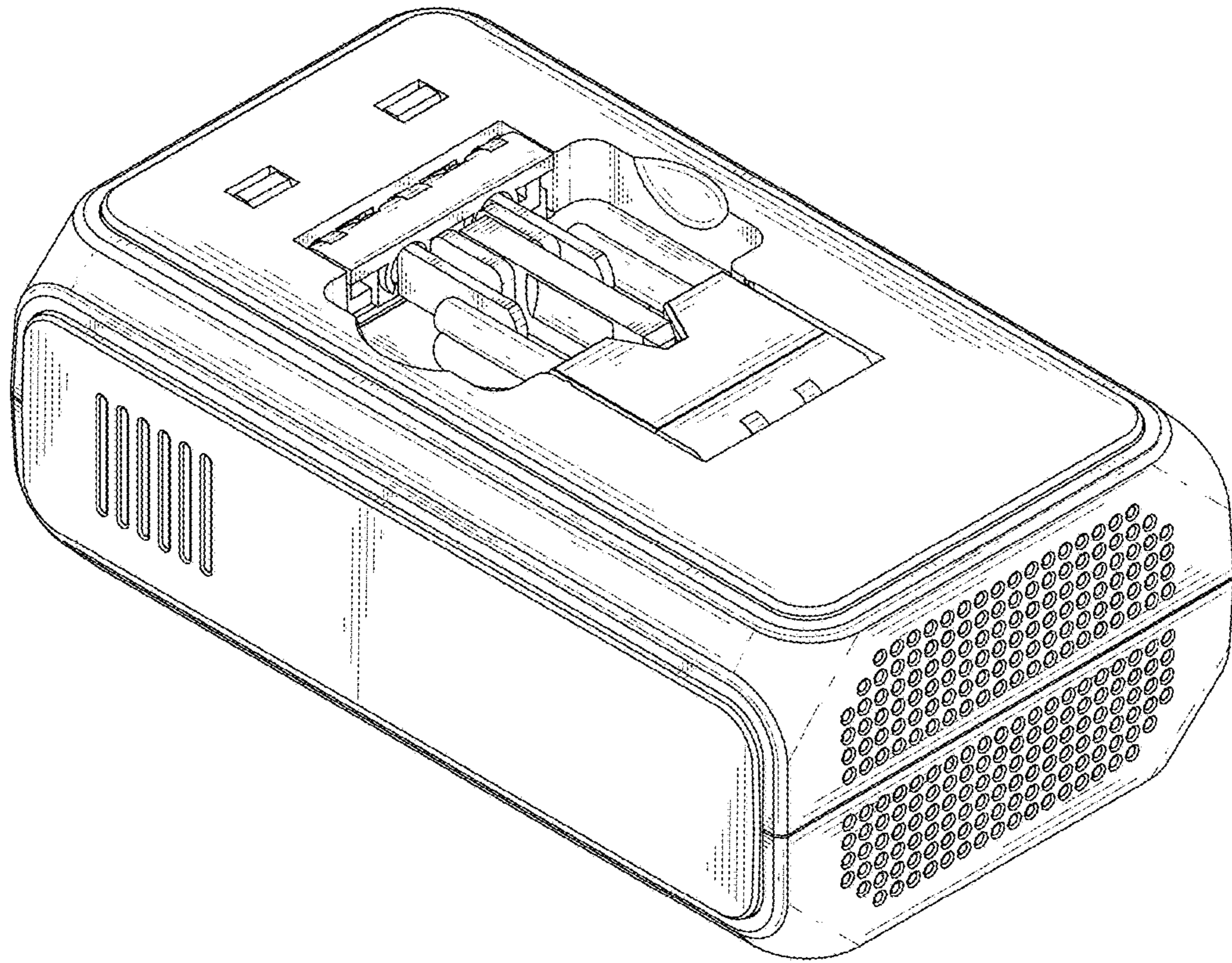


FIG. 2

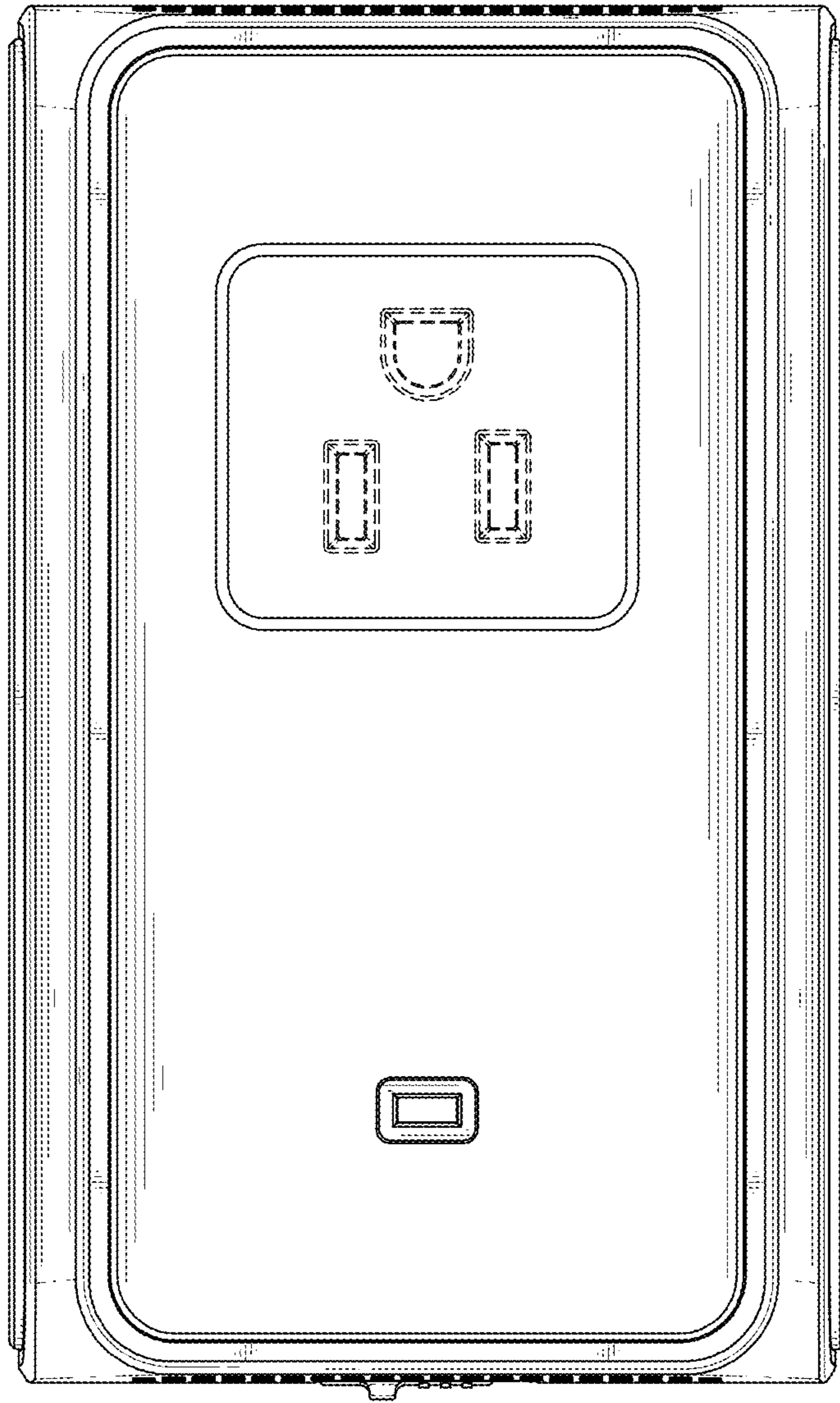


FIG. 3

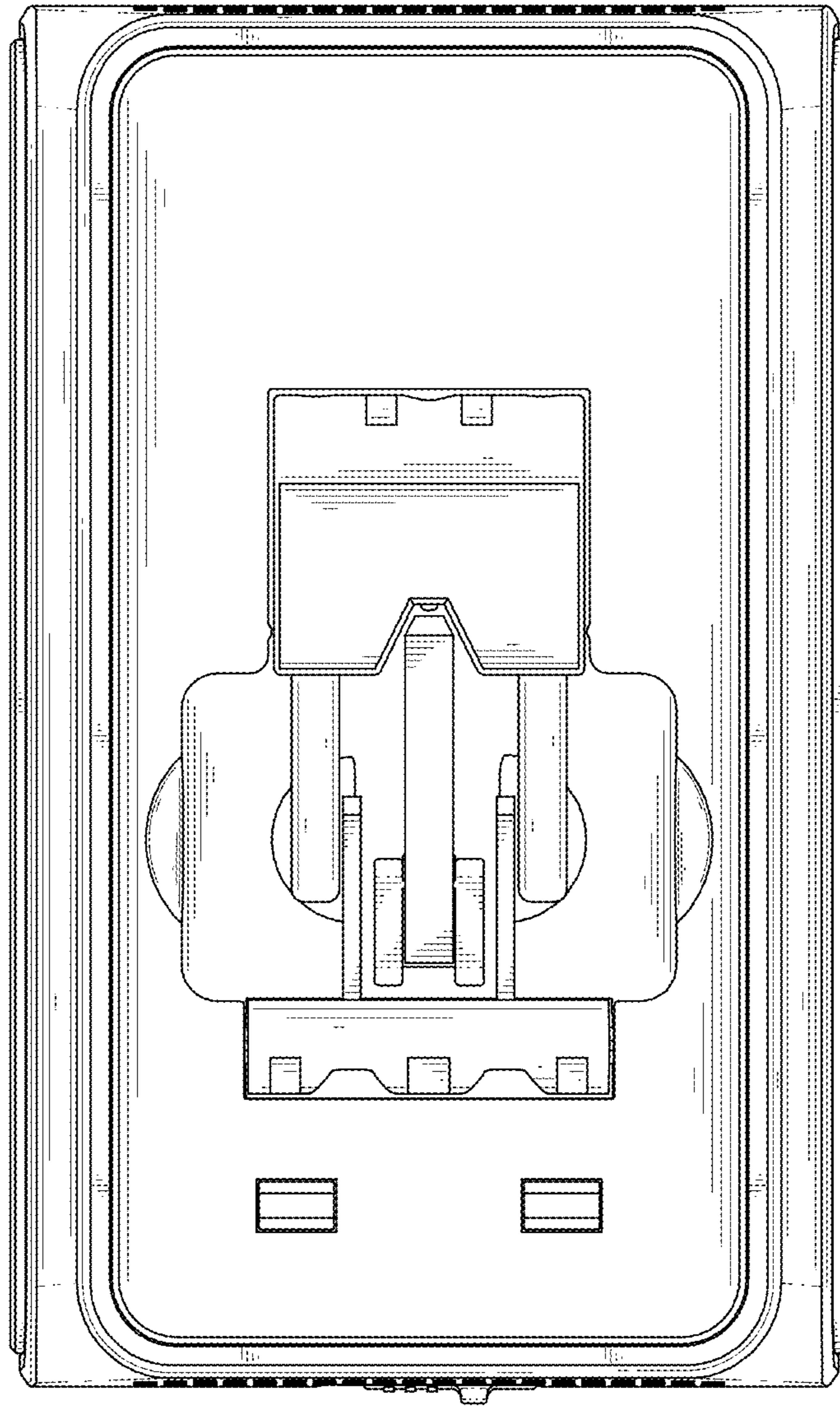


FIG. 4

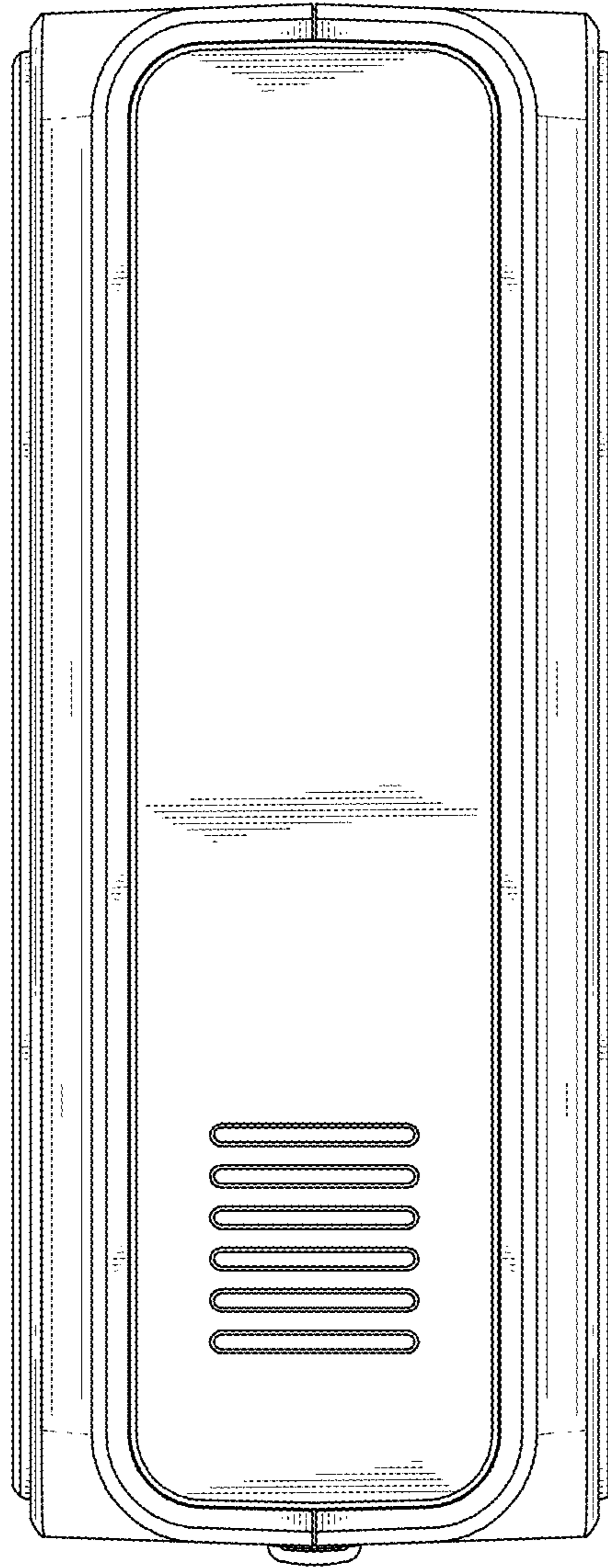


FIG. 5



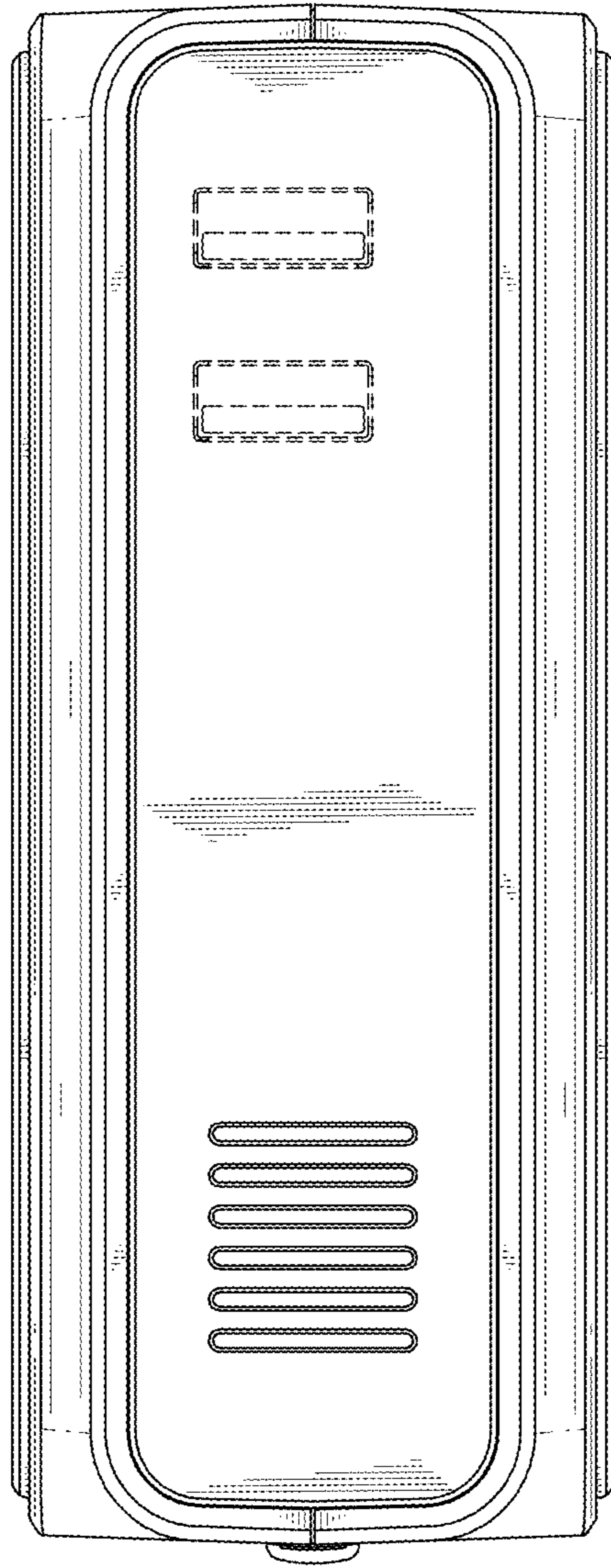


FIG. 6



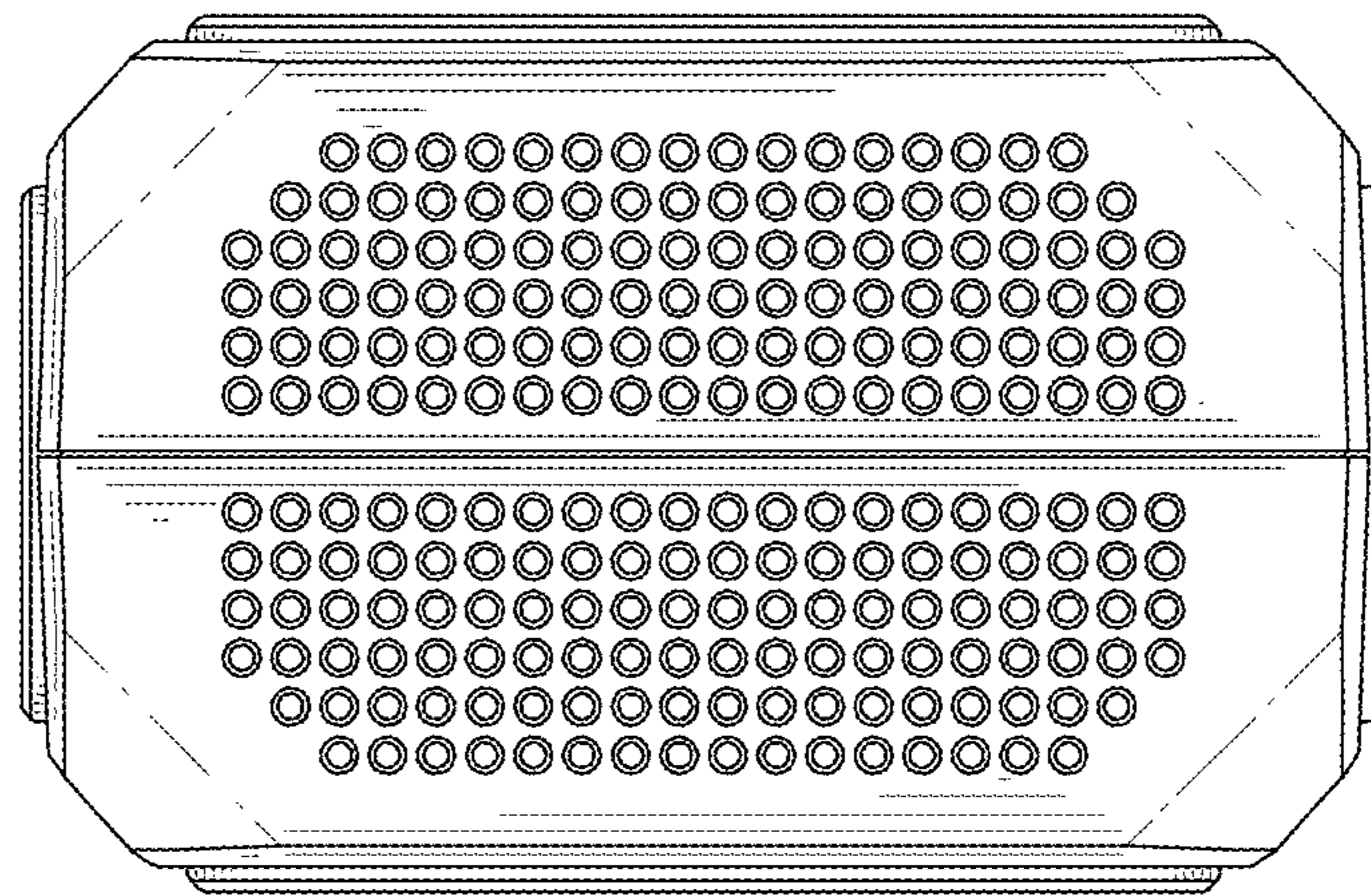


FIG. 7

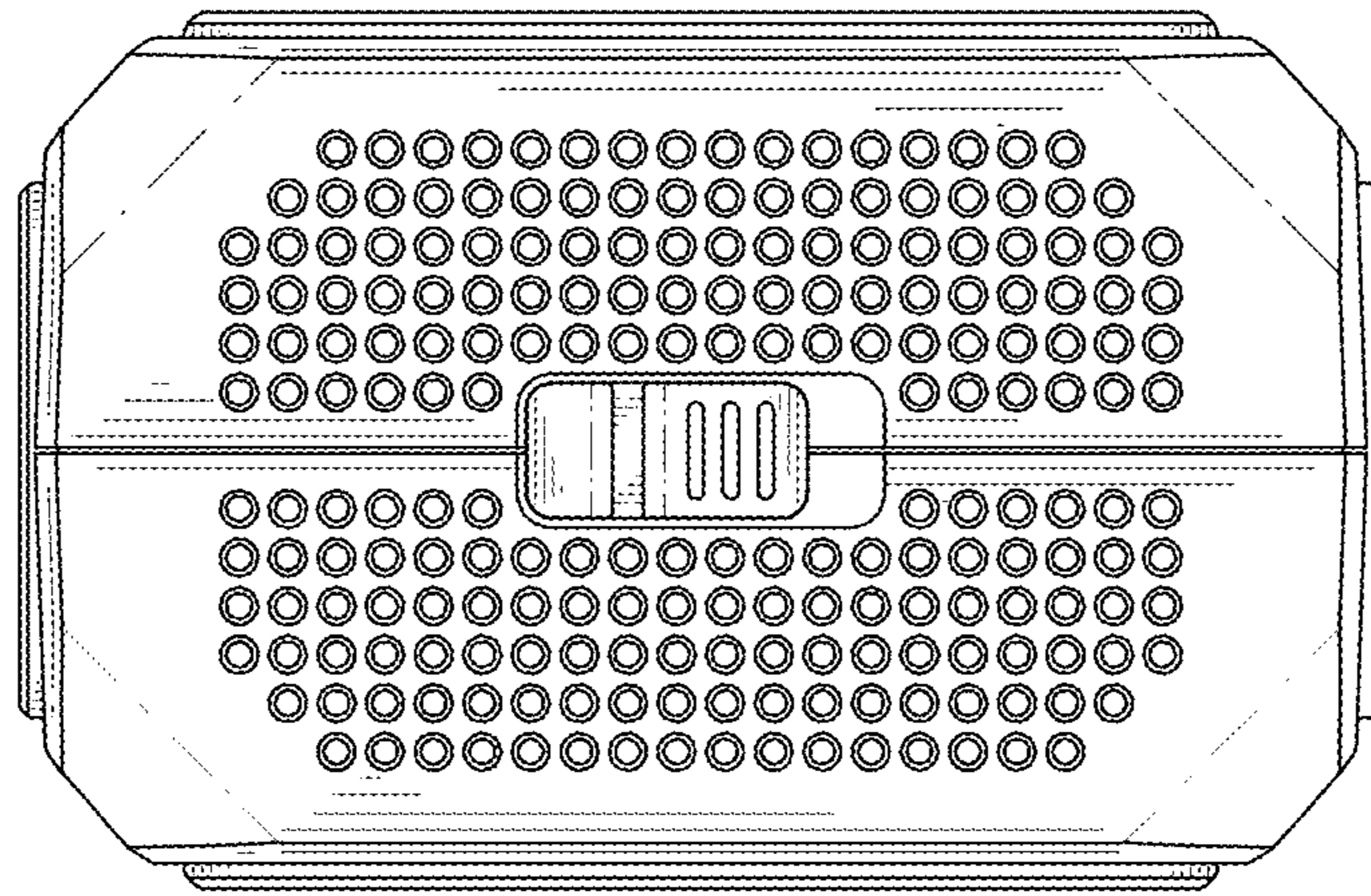


FIG. 8

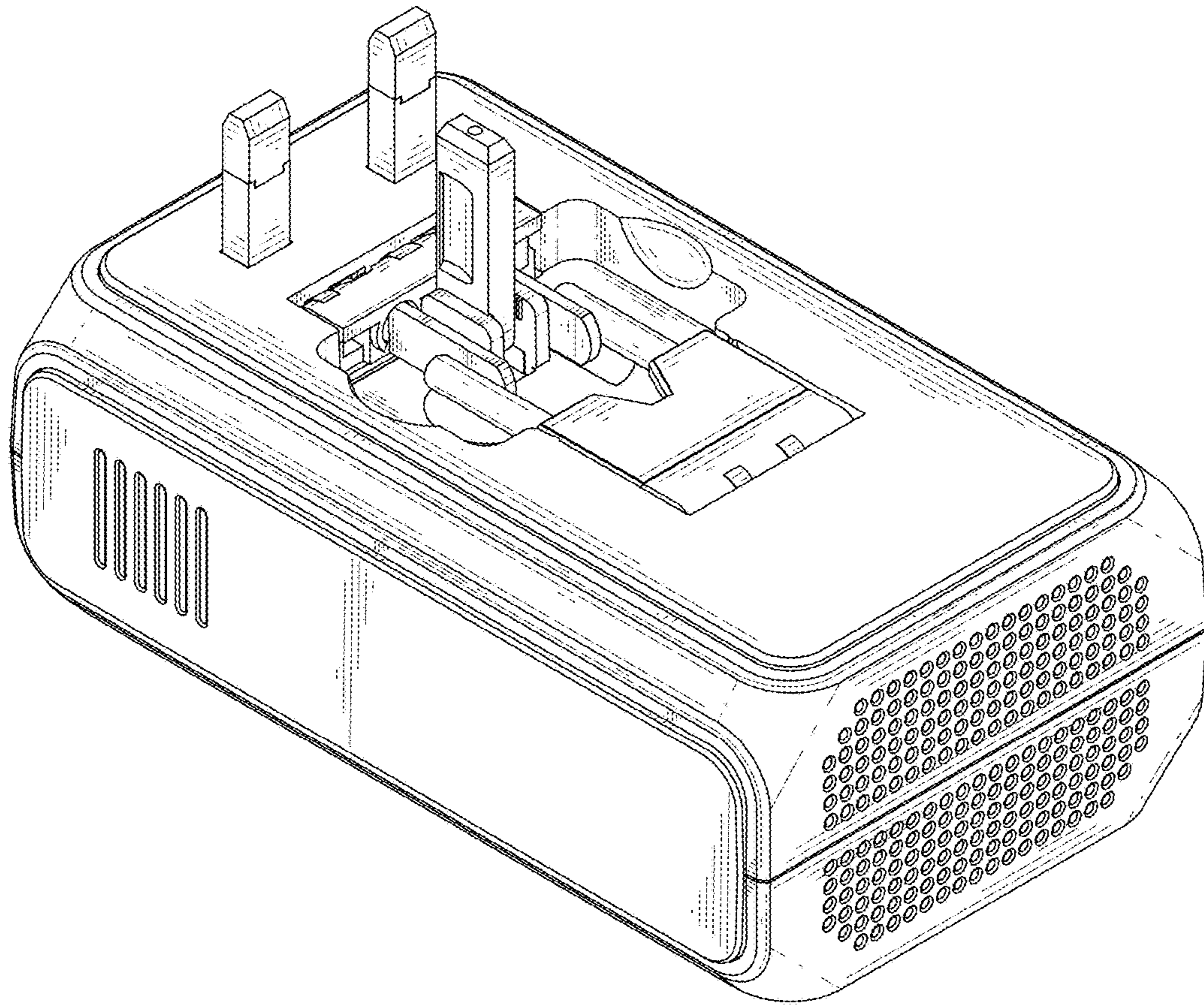


FIG. 9



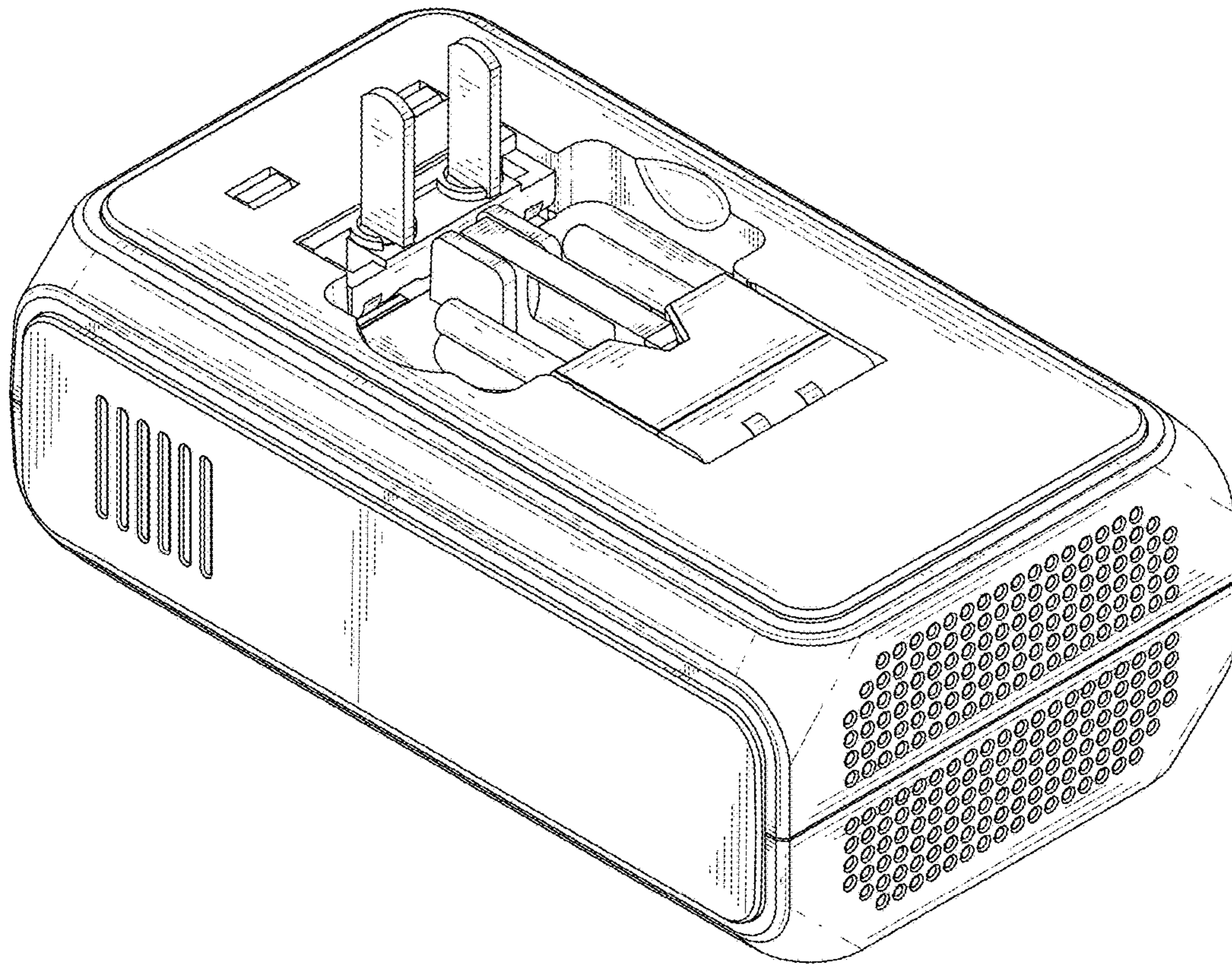


FIG. 10

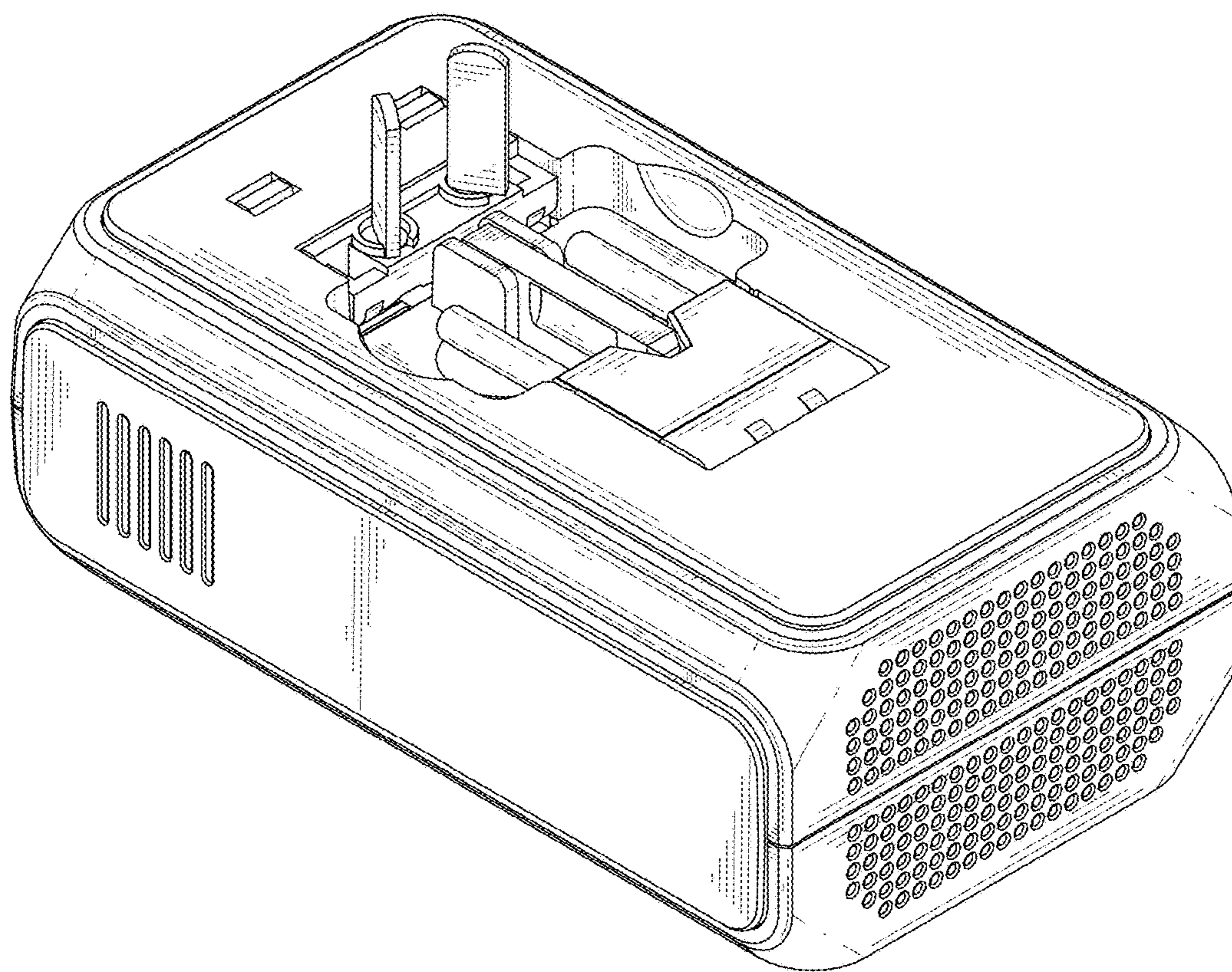


FIG. 11



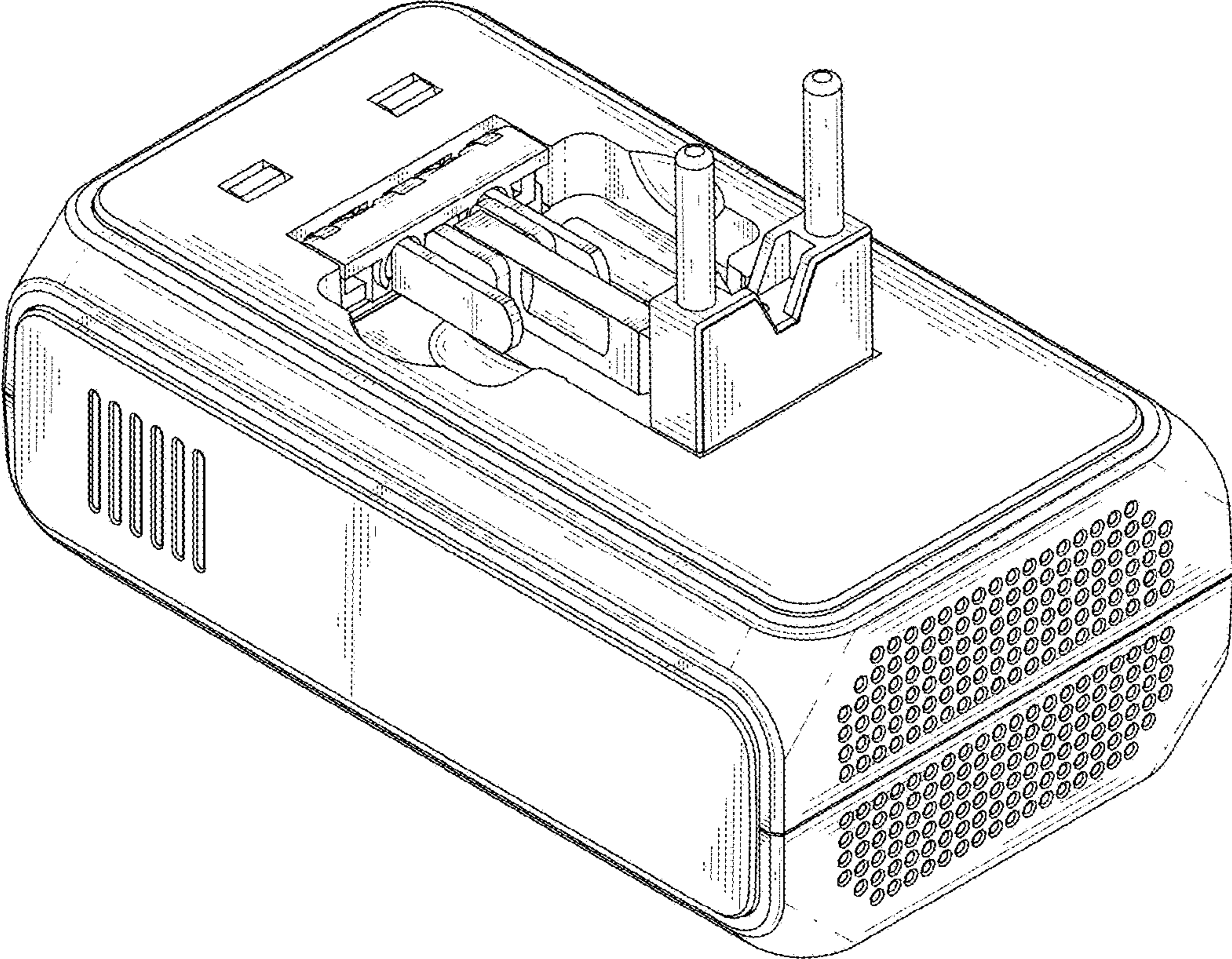


FIG. 12