



US00D832214S

(12) **United States Design Patent**  
**Porter**

(10) **Patent No.:** **US D832,214 S**  
(45) **Date of Patent:** **\*\* Oct. 30, 2018**

(54) **ELECTRICAL CONNECTOR**  
(71) Applicant: **ATL Technology, LLC**, Springville, UT (US)  
(72) Inventor: **Dan Scott Porter**, Springville, UT (US)  
(73) Assignee: **ATL TECHNOLOGY, LLC**, Springville, UT (US)

D564,659 S \* 3/2008 Hayashi ..... D24/129  
D571,301 S \* 6/2008 Nakashima ..... D13/133  
8,386,032 B2 \* 2/2013 Bachinski ..... A61N 1/0428  
607/2  
D758,836 S \* 6/2016 Symons ..... D8/383  
9,966,694 B2 \* 5/2018 Livneh ..... H01R 13/5224

(\*\*) Term: **15 Years**

(21) Appl. No.: **29/615,930**

(22) Filed: **Aug. 31, 2017**

(51) **LOC (11) Cl.** ..... **13-03**

(52) **U.S. Cl.**  
USPC ..... **D13/133**

(58) **Field of Classification Search**  
USPC ..... D13/101, 103, 110, 118, 123, 133,  
D13/145-149, 151, 153, 154, 173, 184,  
D13/199  
CPC . H01R 9/00; H01R 9/03; H01R 13/00; H01R  
13/28; H01R 13/44; H01R 13/52; H01R  
13/58; H01R 13/62; H01R 13/64; H01R  
13/65; H01R 13/658; H01R 13/659;  
H01R 31/06

See application file for complete search history.

(56) **References Cited**

**U.S. PATENT DOCUMENTS**

D402,632 S \* 12/1998 Richards ..... D13/154  
D485,240 S \* 1/2004 Kuroki ..... D13/147

**OTHER PUBLICATIONS**

Notice of Grant of Rights for Chinese Design Patent Application No. 201830074135.1 dated May 2, 2018.

\* cited by examiner

*Primary Examiner* — Angela J Lee  
*Assistant Examiner* — Shawn T Gingrich  
(74) *Attorney, Agent, or Firm* — Kunzler, PC

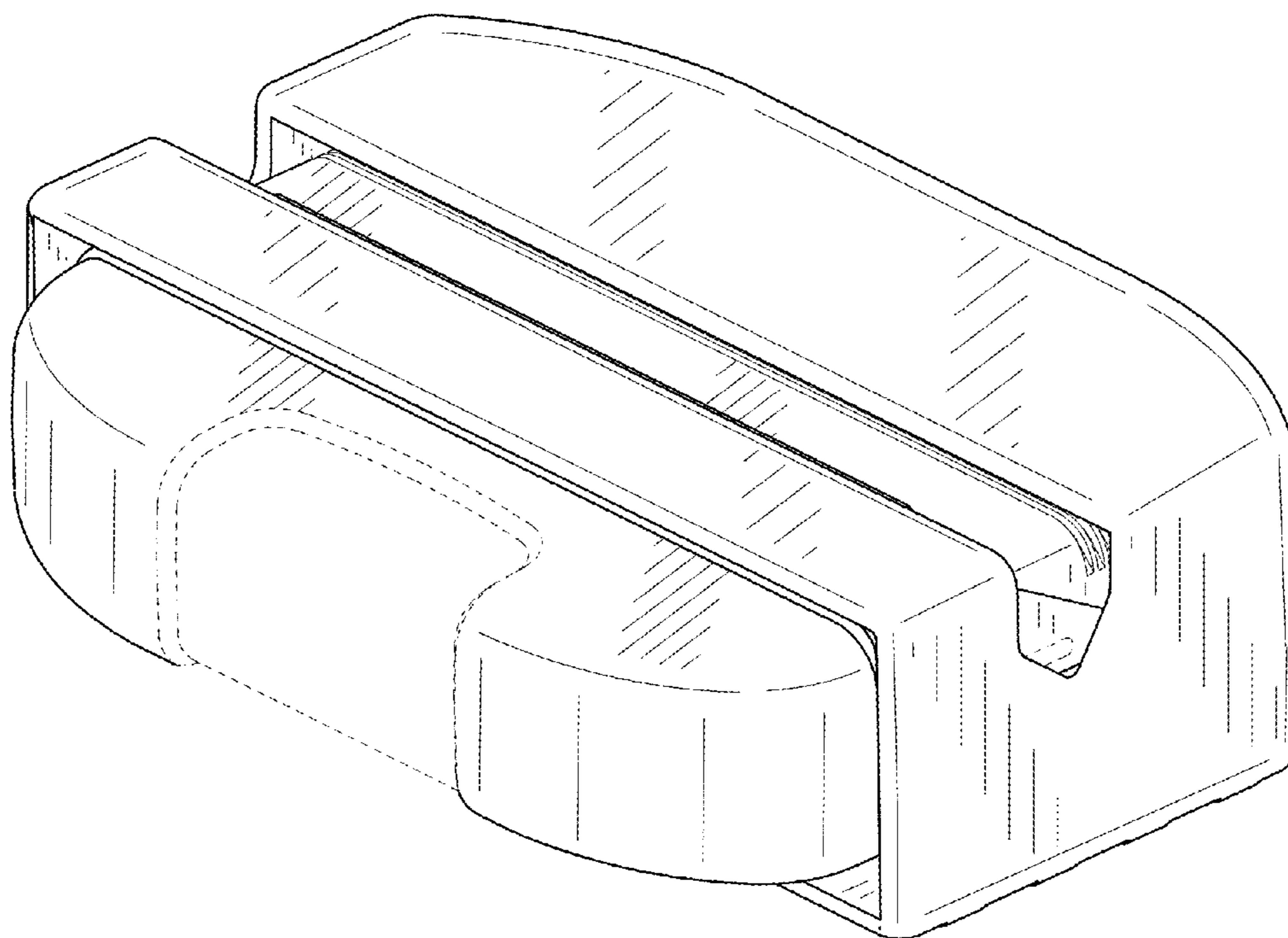
(57) **CLAIM**

The ornamental design for an electrical connector, as shown and described.

**DESCRIPTION**

FIG. 1 is a perspective view of the electrical connector; FIG. 2 is a right side view of the electrical connector; FIG. 3 is a left side view of the electrical connector; FIG. 4 is a front view of the electrical connector; FIG. 5 is a rear view of the electrical connector; FIG. 6 is a top view of the electrical connector; and, FIG. 7 is a bottom view of the electrical connector. As used in the drawings, the broken lines disclose the environment related to the claimed design and form no part of the claimed design.

**1 Claim, 5 Drawing Sheets**



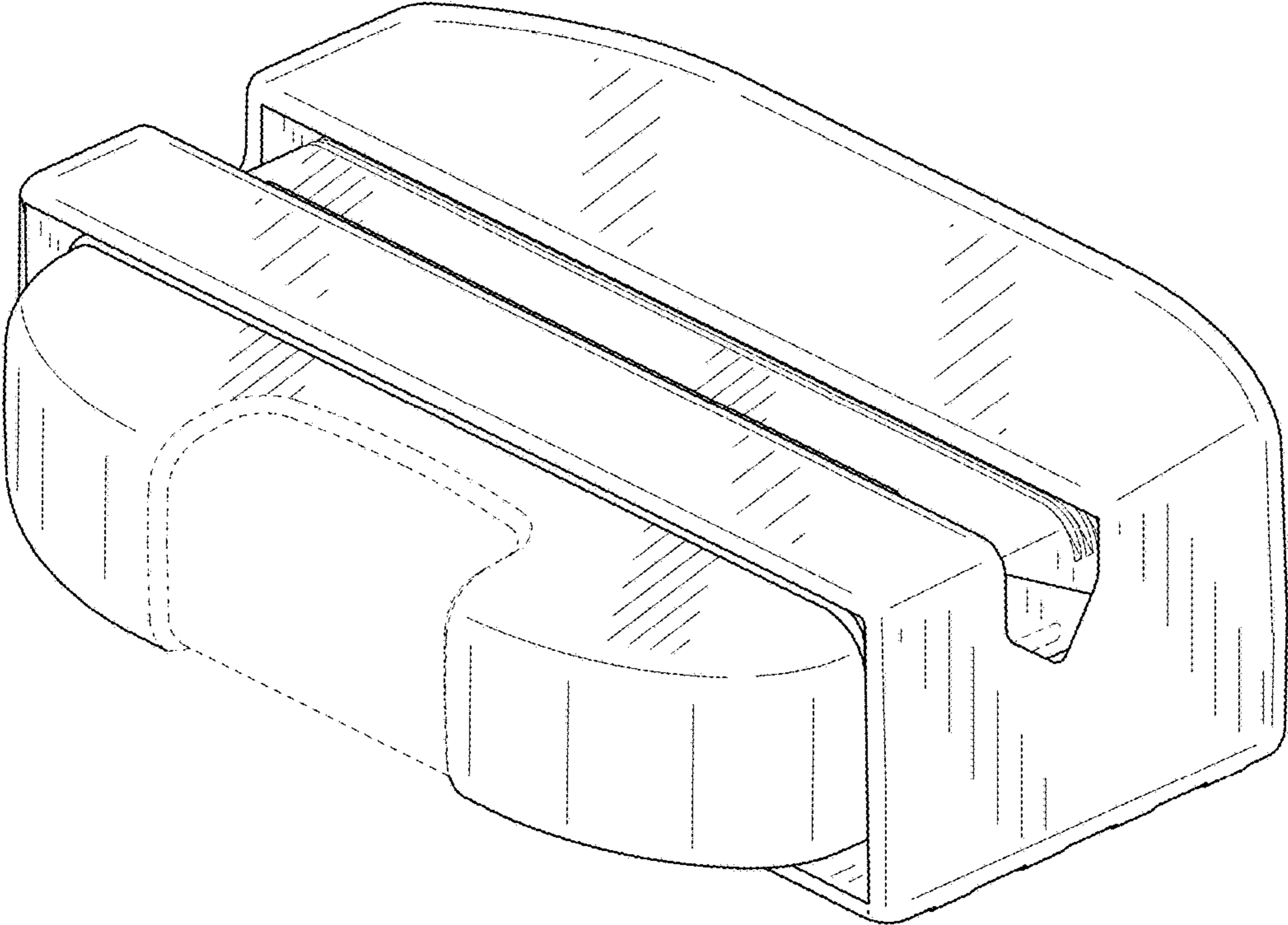


FIG. 1

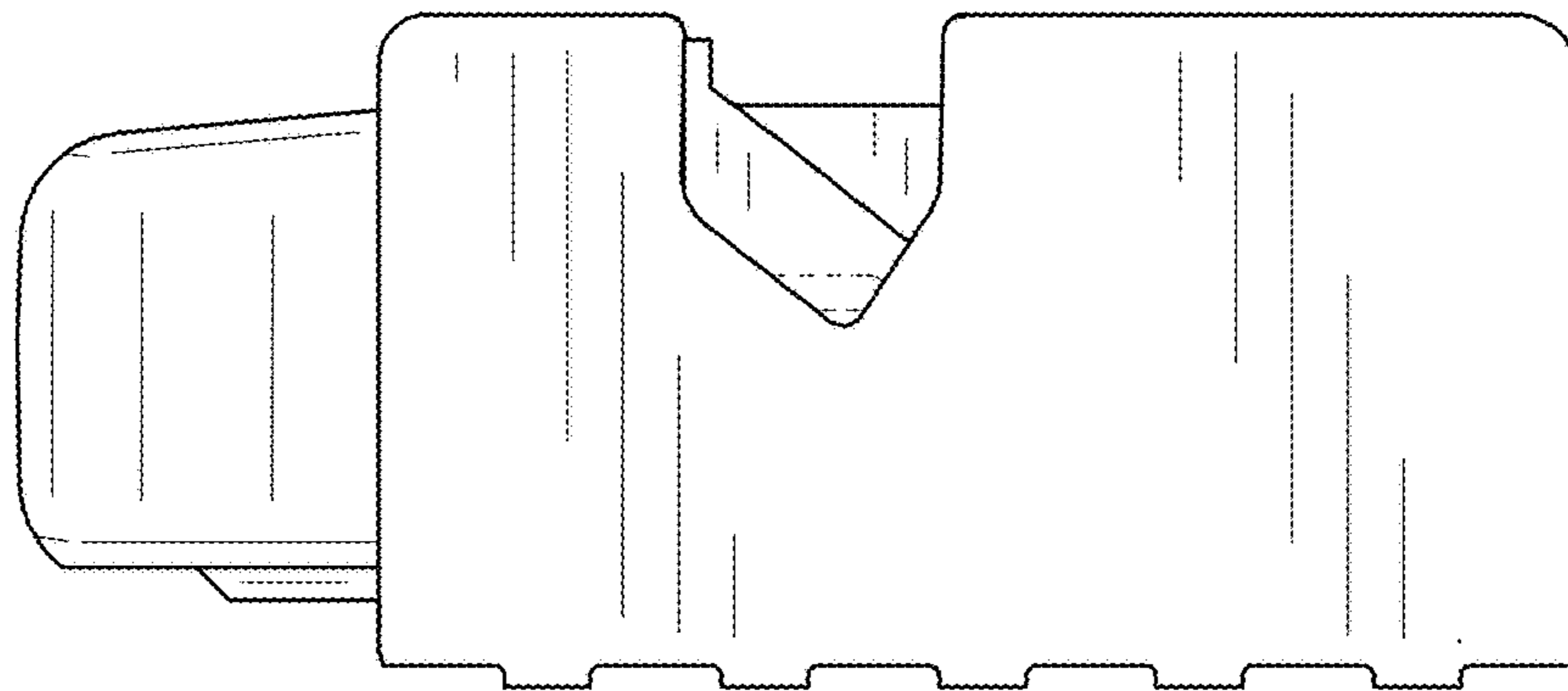


FIG. 2

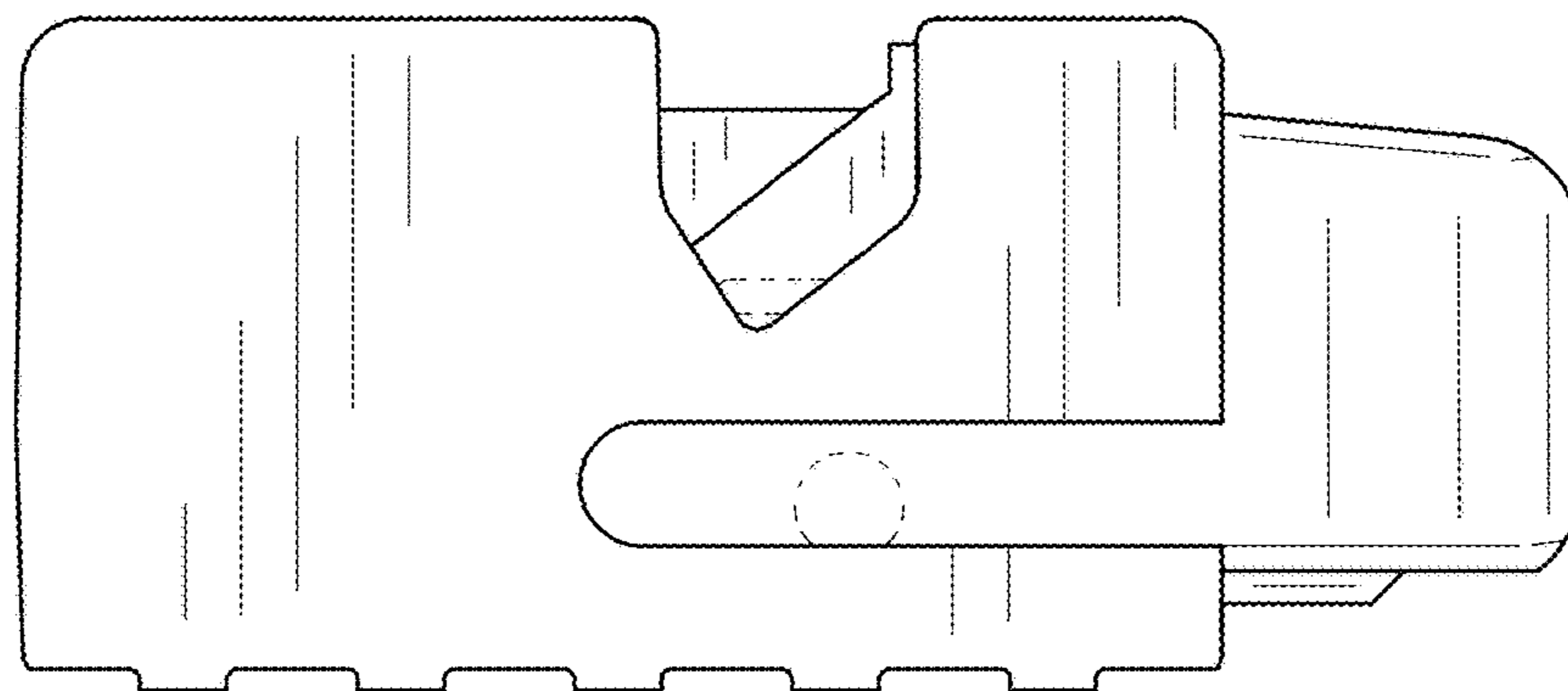


FIG. 3

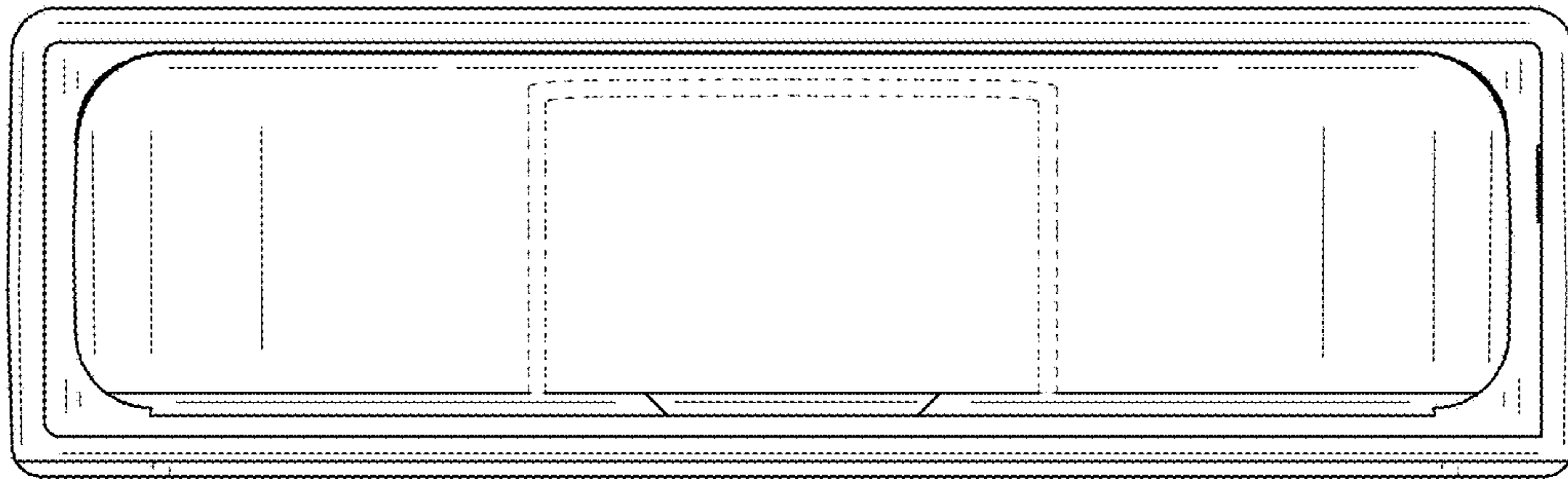


FIG. 4

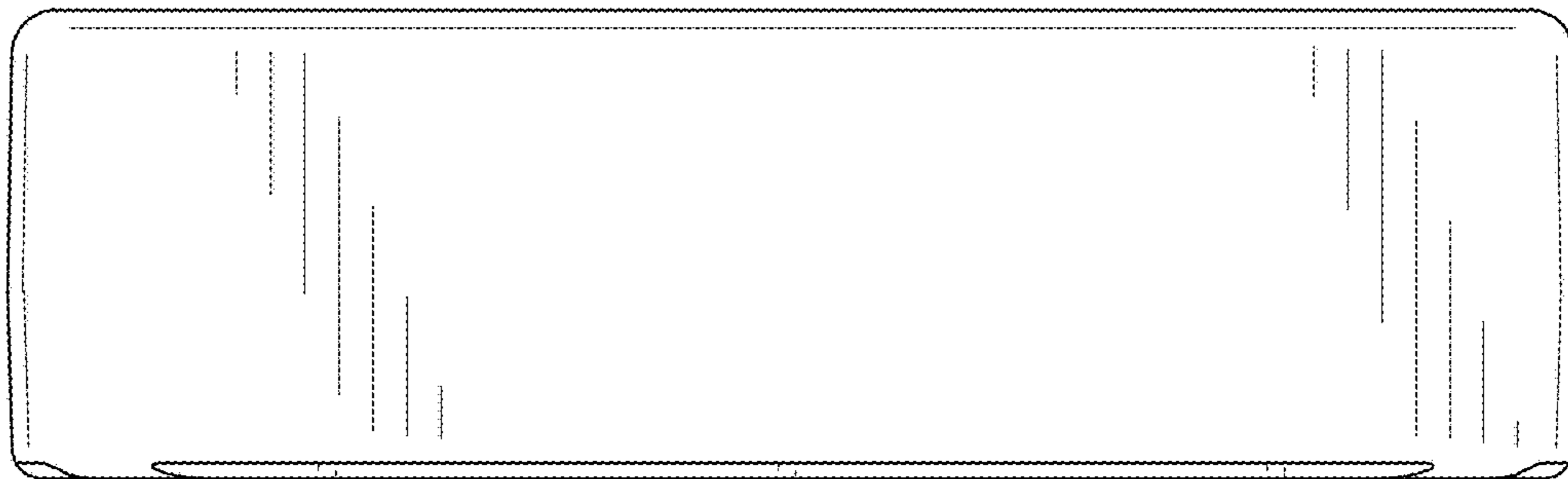


FIG. 5

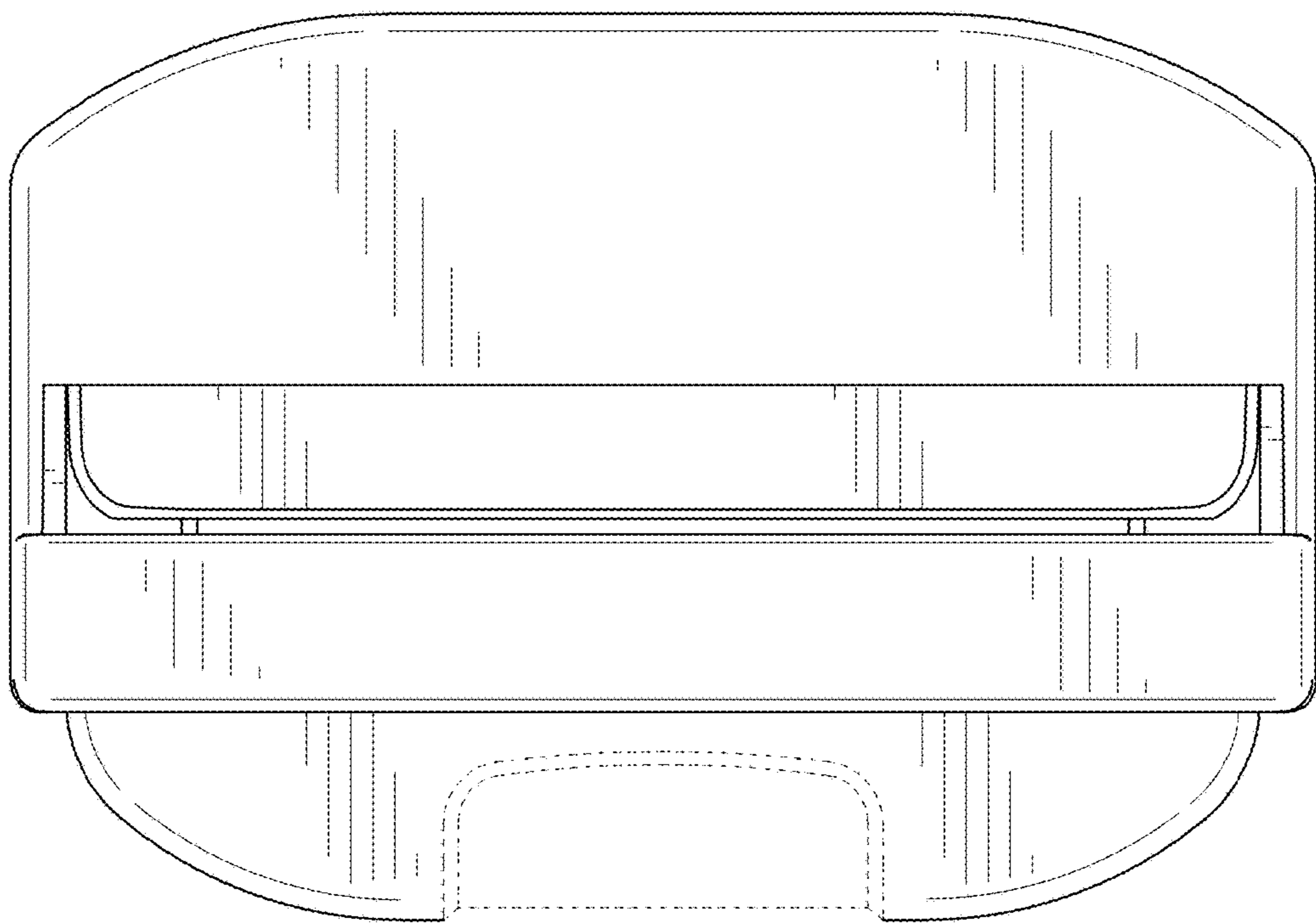


FIG. 6

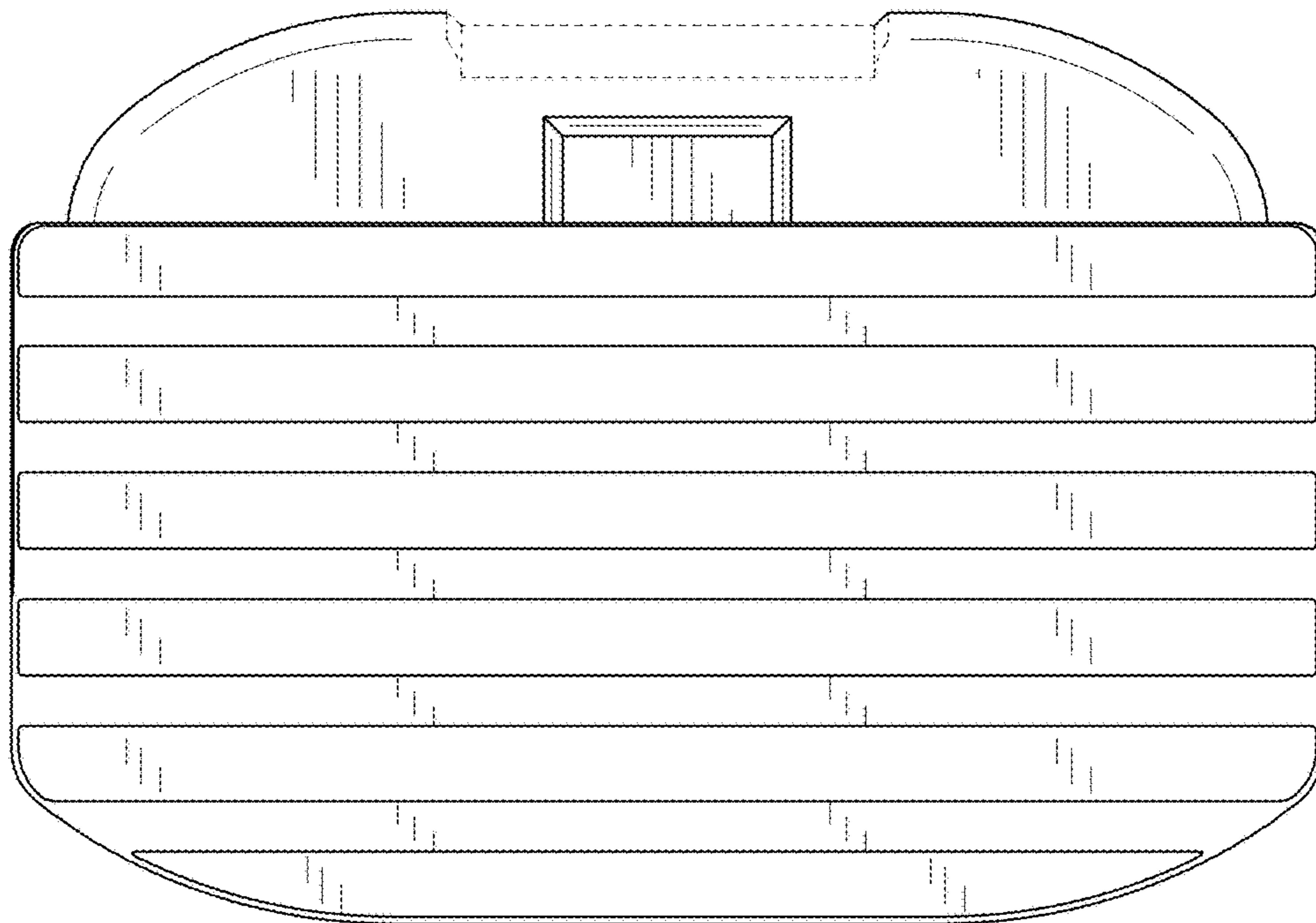


FIG. 7