

US00D832212S

(12) **United States Design Patent** (10) **Patent No.:** **US D832,212 S**
Hsieh et al. (45) **Date of Patent:** **** Oct. 30, 2018**

(54) **ADAPTER**

(71) Applicant: **Delta Electronics, Inc.**, Taoyuan (TW)

(72) Inventors: **Hung-Sheng Hsieh**, Taoyuan (TW);
Ruei-Lin Hung, Taoyuan (TW)

(73) Assignee: **DELTA ELECTRONICS, INC.**,
Taoyuan (TW)

(**) Term: **15 Years**

(21) Appl. No.: **29/602,577**

(22) Filed: **May 2, 2017**

(51) **LOC (11) Cl.** **13-02**

(52) **U.S. Cl.**
USPC **D13/110**

(58) **Field of Classification Search**
USPC D14/432-437, 439, 217, 218, 223, 238.1,
D14/240, 242, 253, 356, 358; D13/103,
D13/110, 133, 146, 158, 184, 108, 137.2
CPC H01R 31/00; H01R 31/06; H01R 31/065;
H01R 27/00; H01R 27/02; H01R 25/00;
H01R 25/003; H01R 25/006; G06F
1/1607; G06F 1/20
See application file for complete search history.

(56) **References Cited**

U.S. PATENT DOCUMENTS

D258,577 S *	3/1981	Bottner	D10/104.1
6,592,386 B2 *	7/2003	Teng	H01R 13/62 439/172
D520,519 S *	5/2006	Chin	D14/203.3
D542,288 S *	5/2007	Andre	D14/314
7,241,169 B1 *	7/2007	Yang	H01R 31/06 439/172
7,347,714 B2 *	3/2008	Liang	H01R 13/6272 439/345
D576,947 S *	9/2008	Wu	D13/133
7,586,750 B2 *	9/2009	Kim	H01R 31/065 361/732
7,985,083 B2 *	7/2011	Hopwood	H01R 13/6273 439/134

(Continued)

OTHER PUBLICATIONS

Google SketchUp 8, Diagram labeled "Push/Pull away the corner," online, no post date available, <URL: <http://makeapp4biz.com/google-sketchup-8/46.html>>, retrieved Jun. 8, 2018.*

Primary Examiner — Jeffrey D Asch
Assistant Examiner — Rebekah A Caruso

(74) *Attorney, Agent, or Firm* — Chun-Ming Shih; HDLS IPR Services

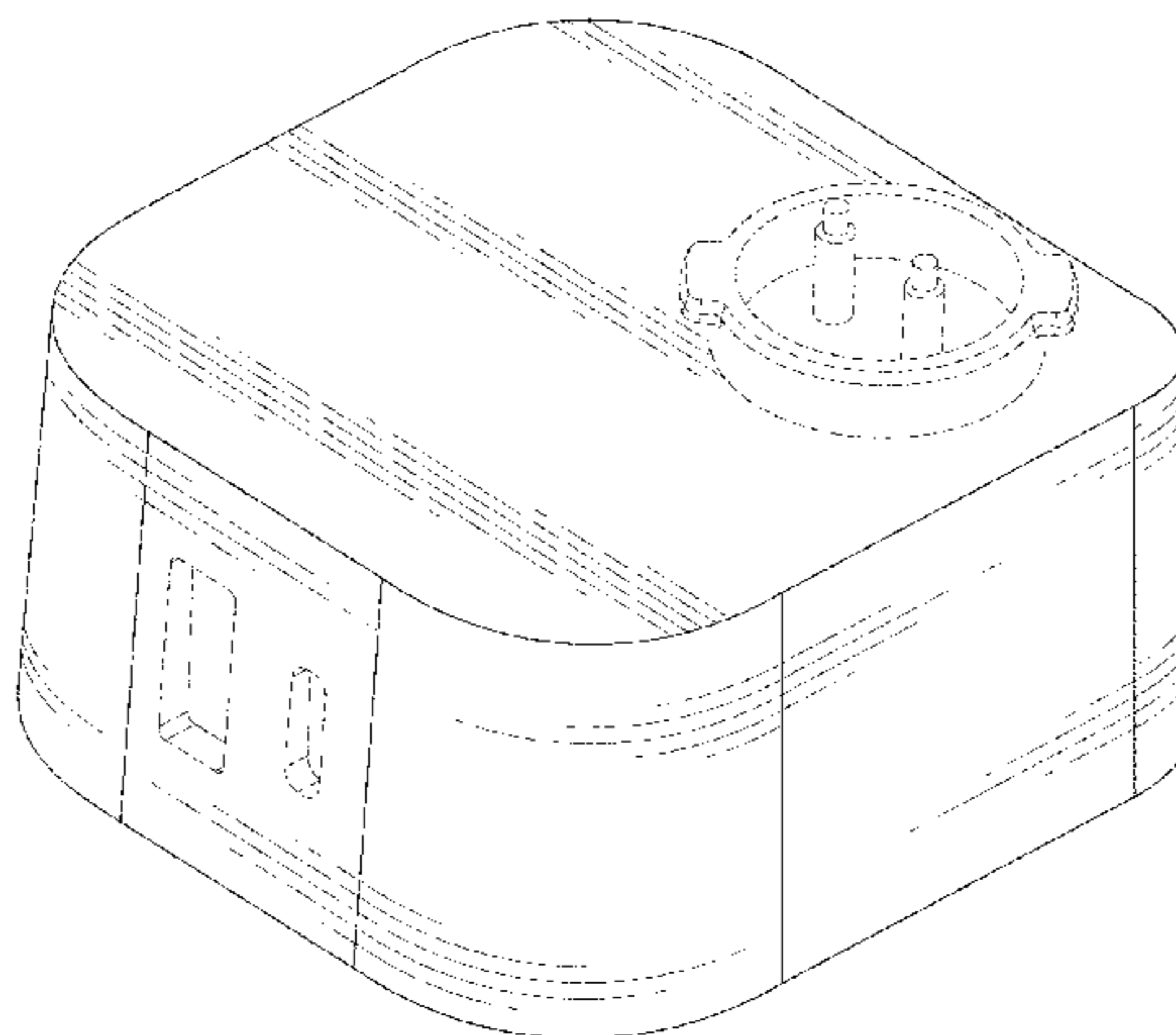
(57) **CLAIM**

The ornamental design for an adapter, as shown and described.

DESCRIPTION

FIG. 1 is a perspective view of an adapter showing our new design;
FIG. 2 is a front view thereof;
FIG. 3 is a rear view thereof;
FIG. 4 is a left side view thereof;
FIG. 5 is a right side view thereof;
FIG. 6 is a top view thereof;
FIG. 7 is a bottom view thereof;
FIG. 8 is a perspective view showing the adapter with a first type of plug;
FIG. 9 is second perspective view showing the adapter with a second type of plug; and,
FIG. 10 is third perspective view showing the adapter with a third type of plug.
The broken lines immediately adjacent to the shaded area define the bounds of the claimed design, and form no part thereof. The broken lines showing the remainder of the adapter, and alternate plugs in FIGS. 8-10, are for environmental purposes only, and form no part of the claimed design.

1 Claim, 10 Drawing Sheets



(56)

References Cited

U.S. PATENT DOCUMENTS

D647,476	S	*	10/2011	Ciou	D13/110
D648,270	S	*	11/2011	Jiang	D13/103
D649,541	S	*	11/2011	Morenstein	D14/314
D660,795	S	*	5/2012	Wen	D13/110
D686,595	S	*	7/2013	Andre	D14/217
D696,627	S	*	12/2013	Tsoi	D13/110
D732,472	S	*	6/2015	Laffon	D13/110
D734,260	S	*	7/2015	Cepress	D13/110
D738,301	S	*	9/2015	Symons	D13/107
D744,483	S	*	12/2015	Barbu	D14/358
D756,916	S	*	5/2016	Yang	D13/108
D763,262	S	*	8/2016	Hallar	D14/434
D765,082	S	*	8/2016	Allen, Sr.	D14/433
D768,607	S	*	10/2016	Altonen	D14/240
D777,674	S	*	1/2017	Mininger	D13/139.7
D791,123	S	*	7/2017	Wieser	D14/300
D799,588	S	*	10/2017	Nanno	D18/19

* cited by examiner

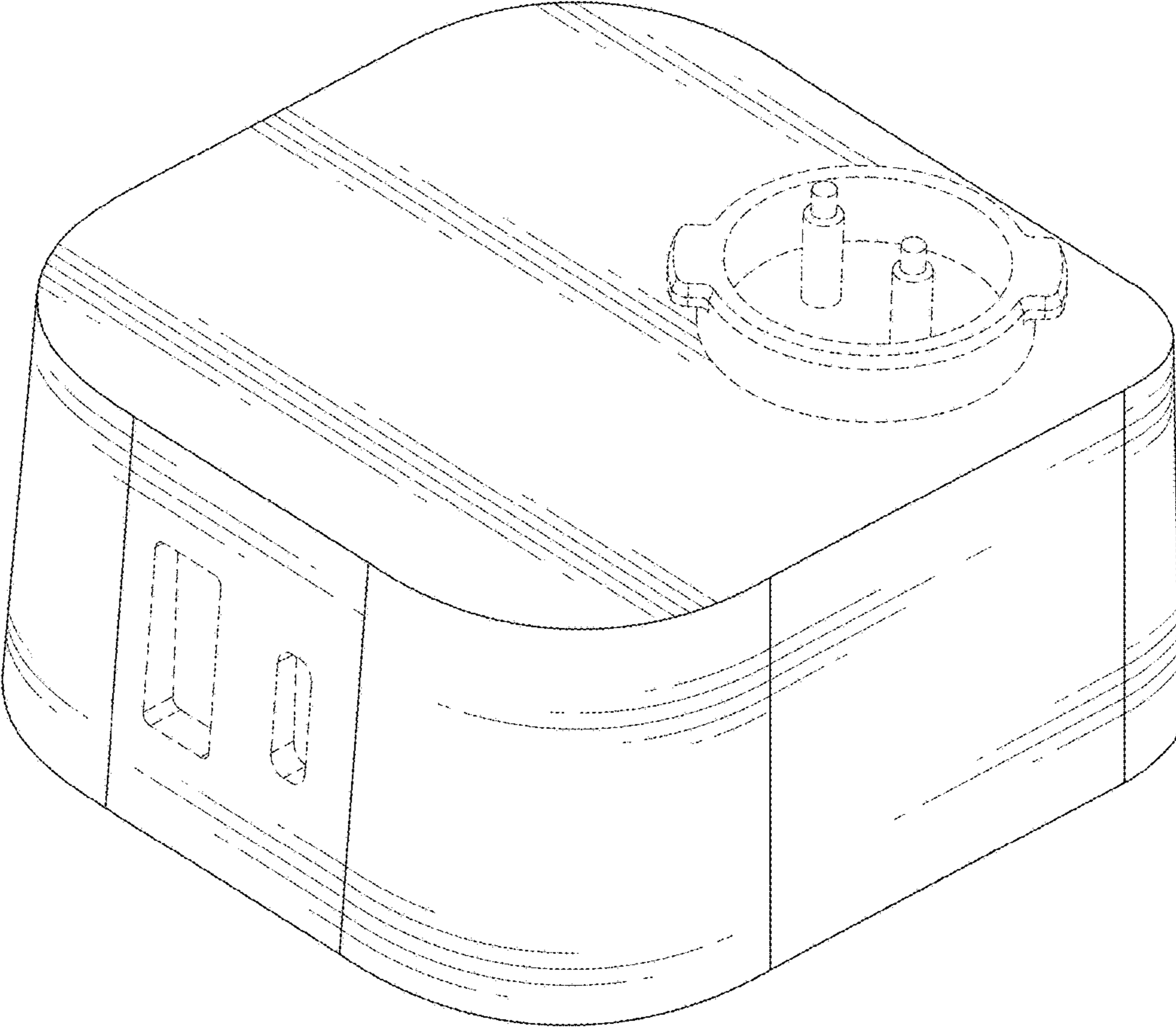


FIG.1

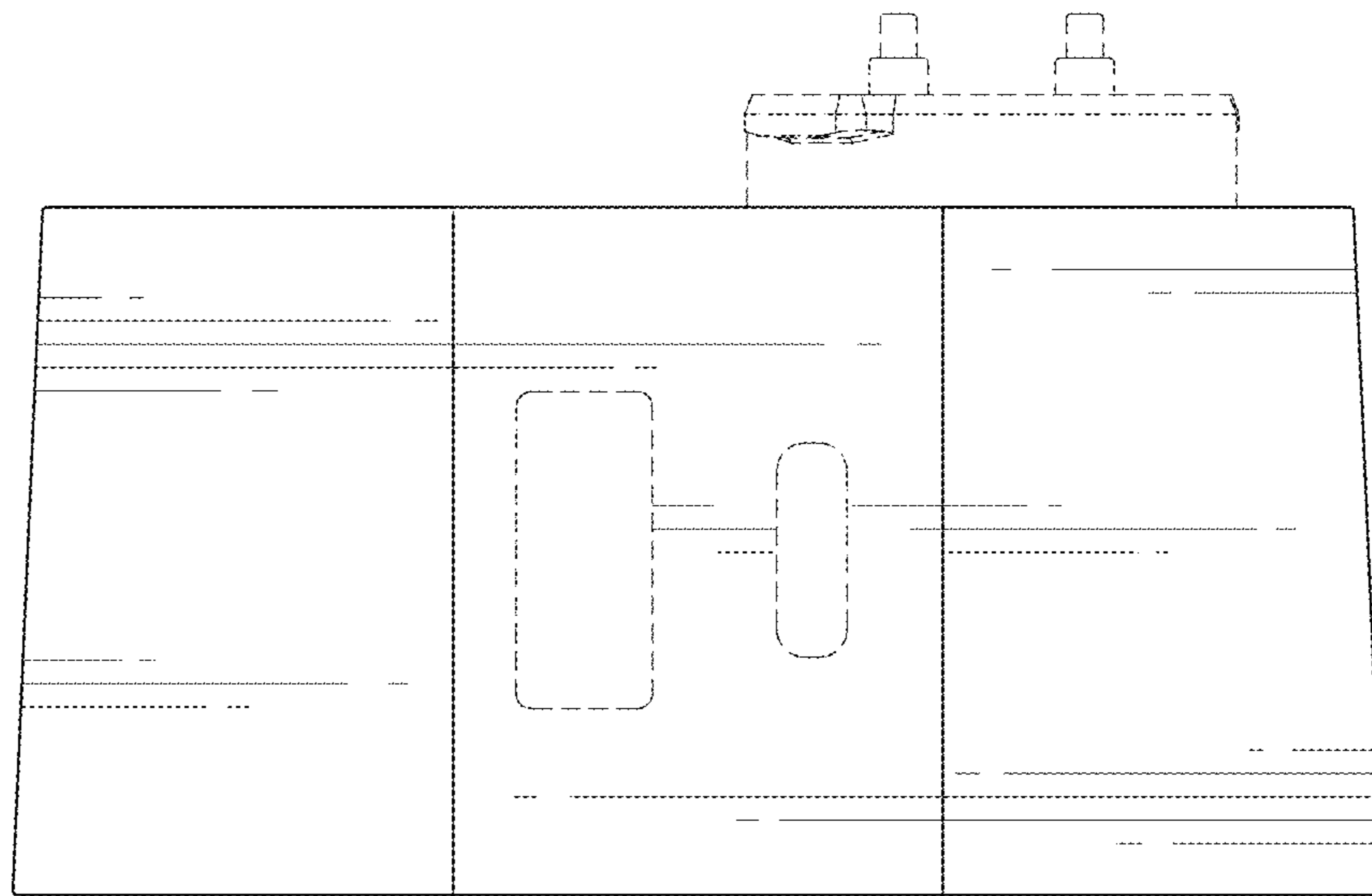


FIG.2

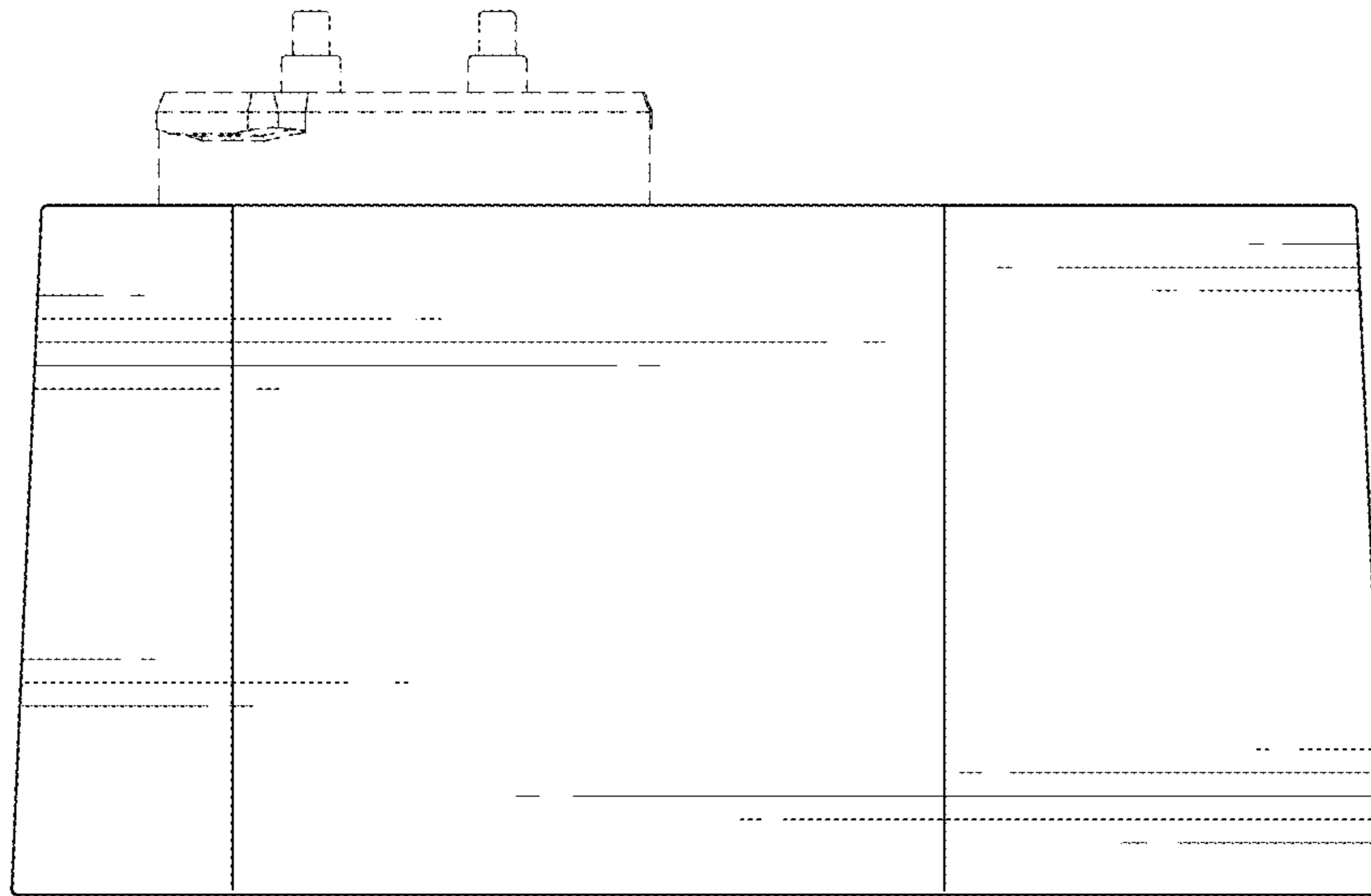


FIG.3

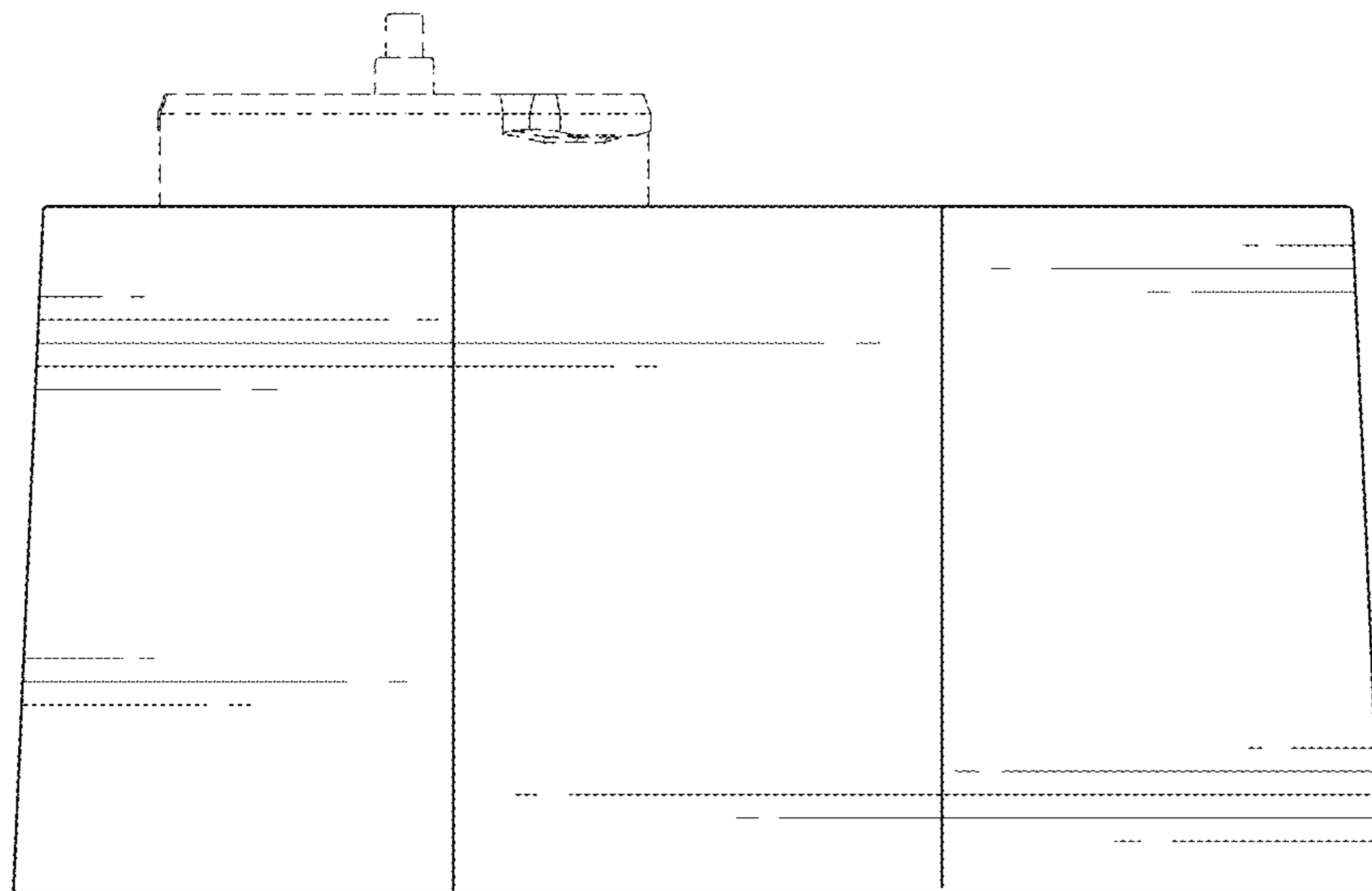


FIG.4

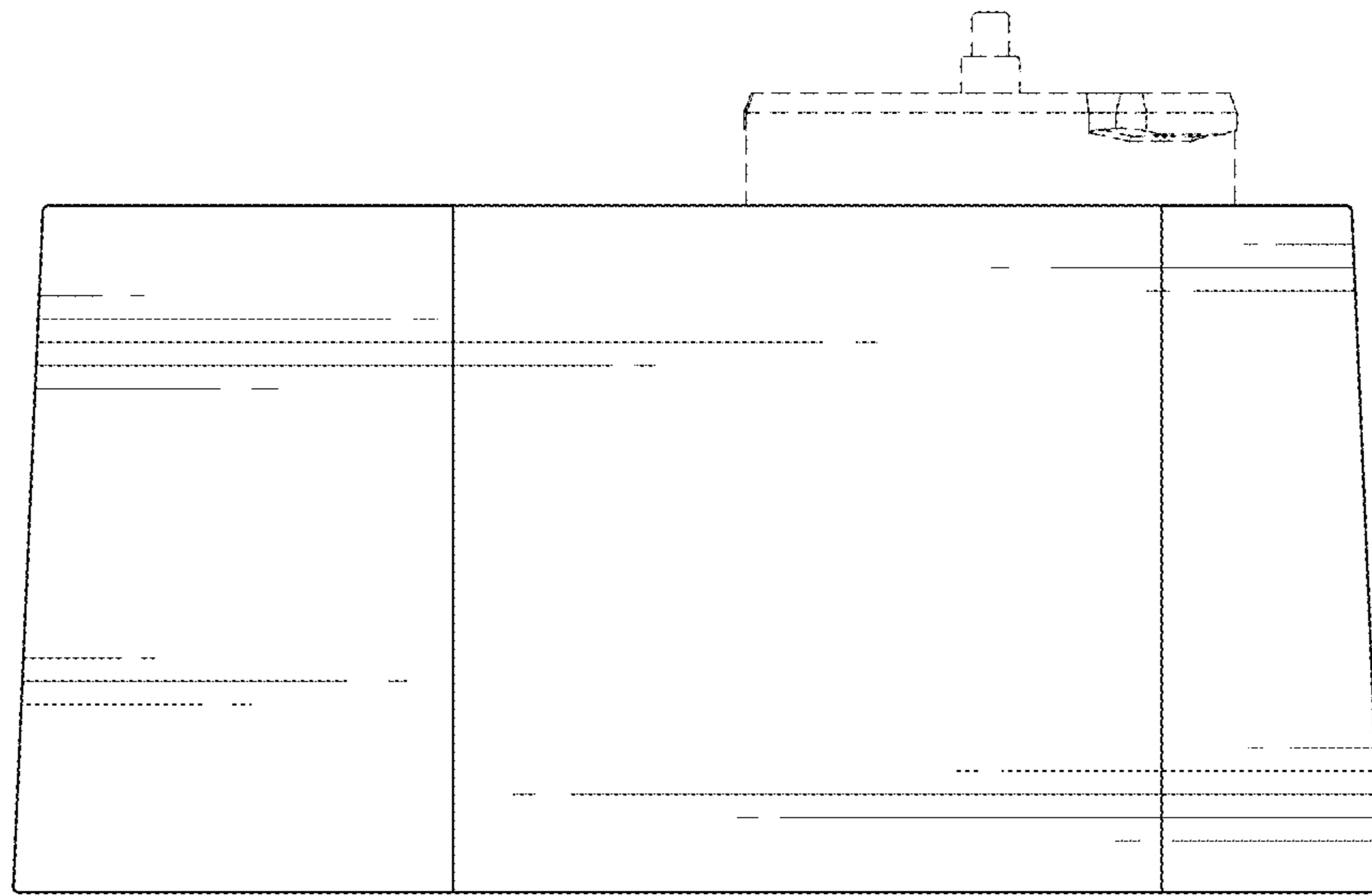


FIG.5

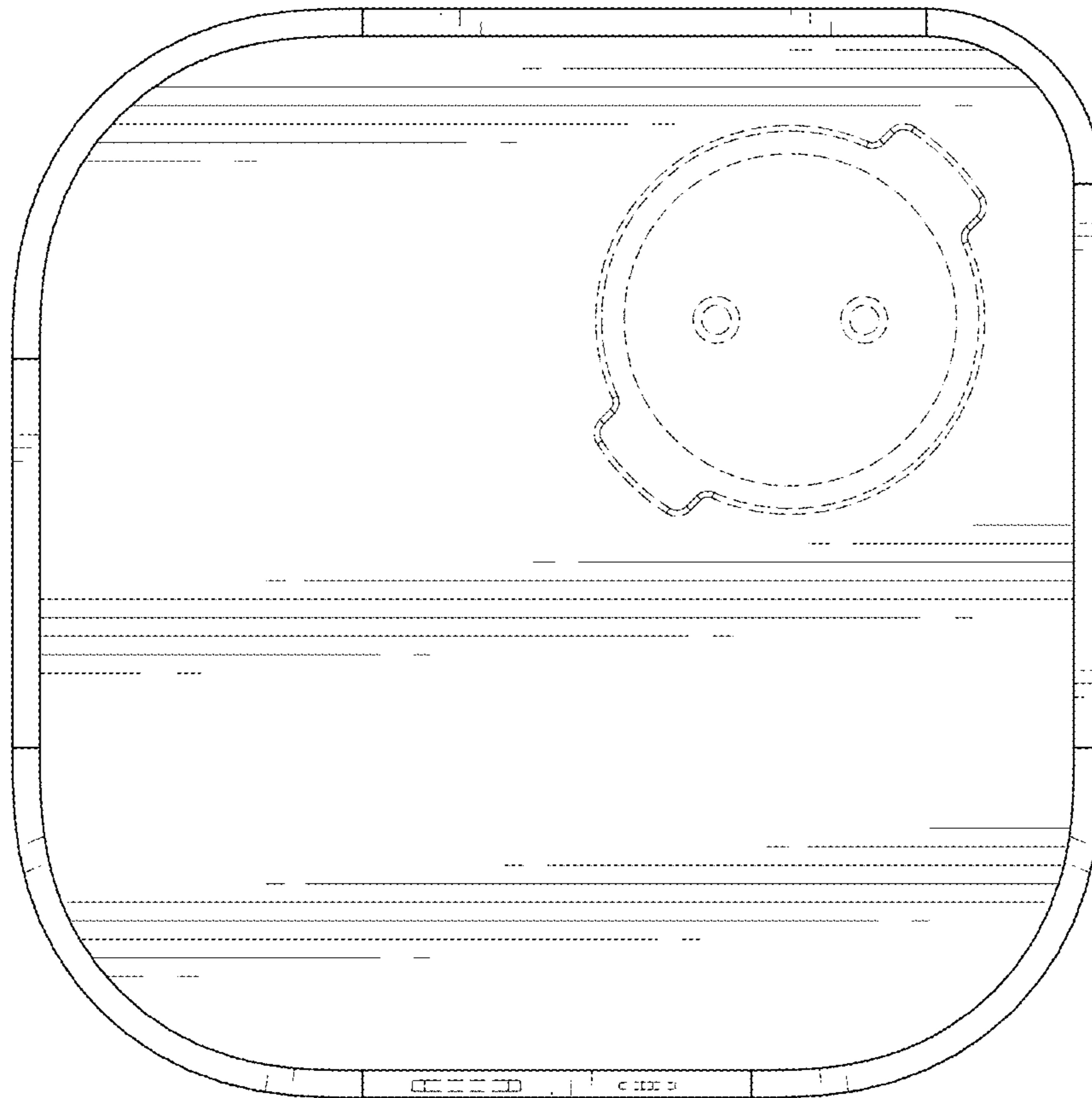


FIG.6

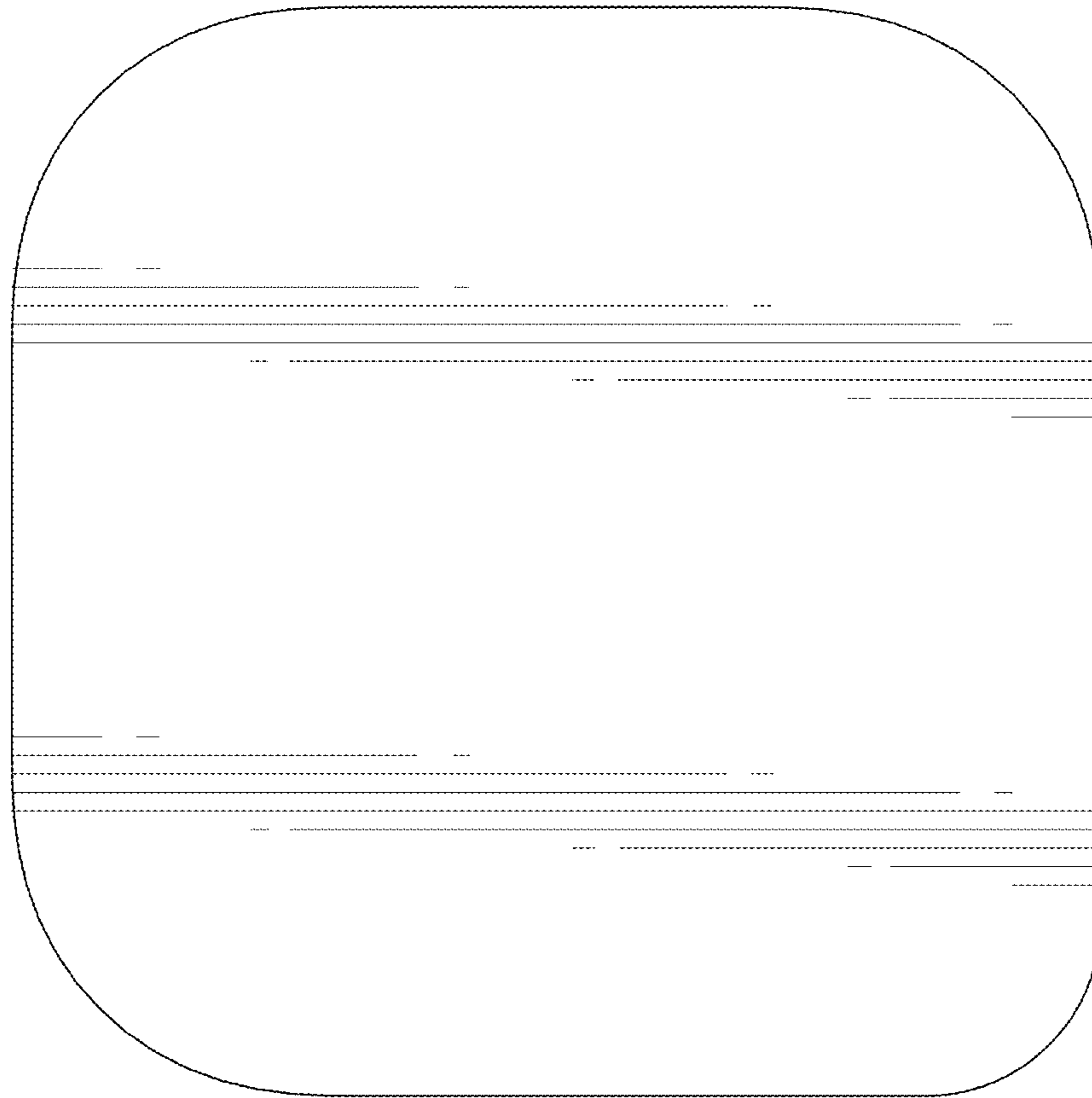


FIG. 7

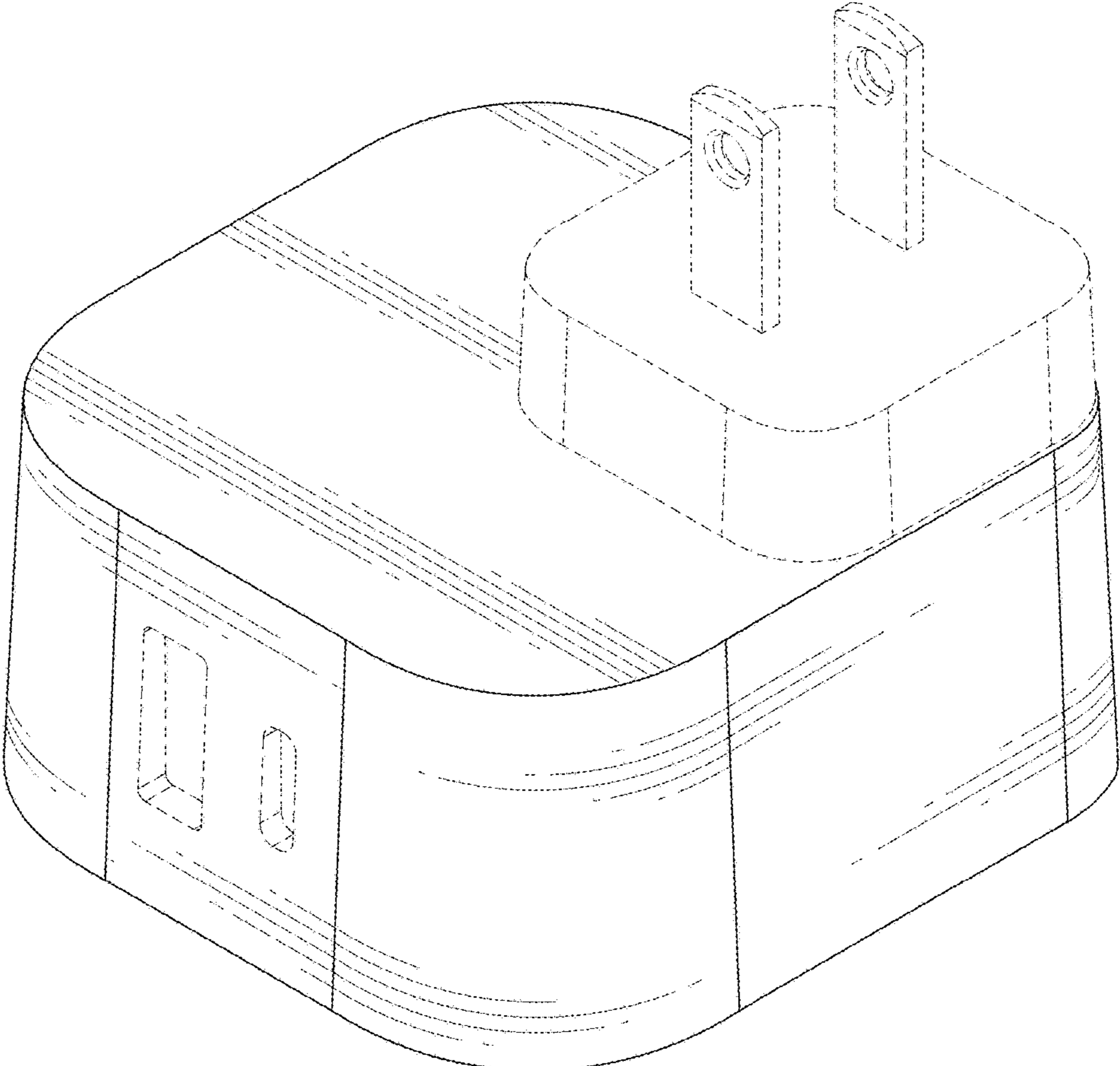


FIG.8

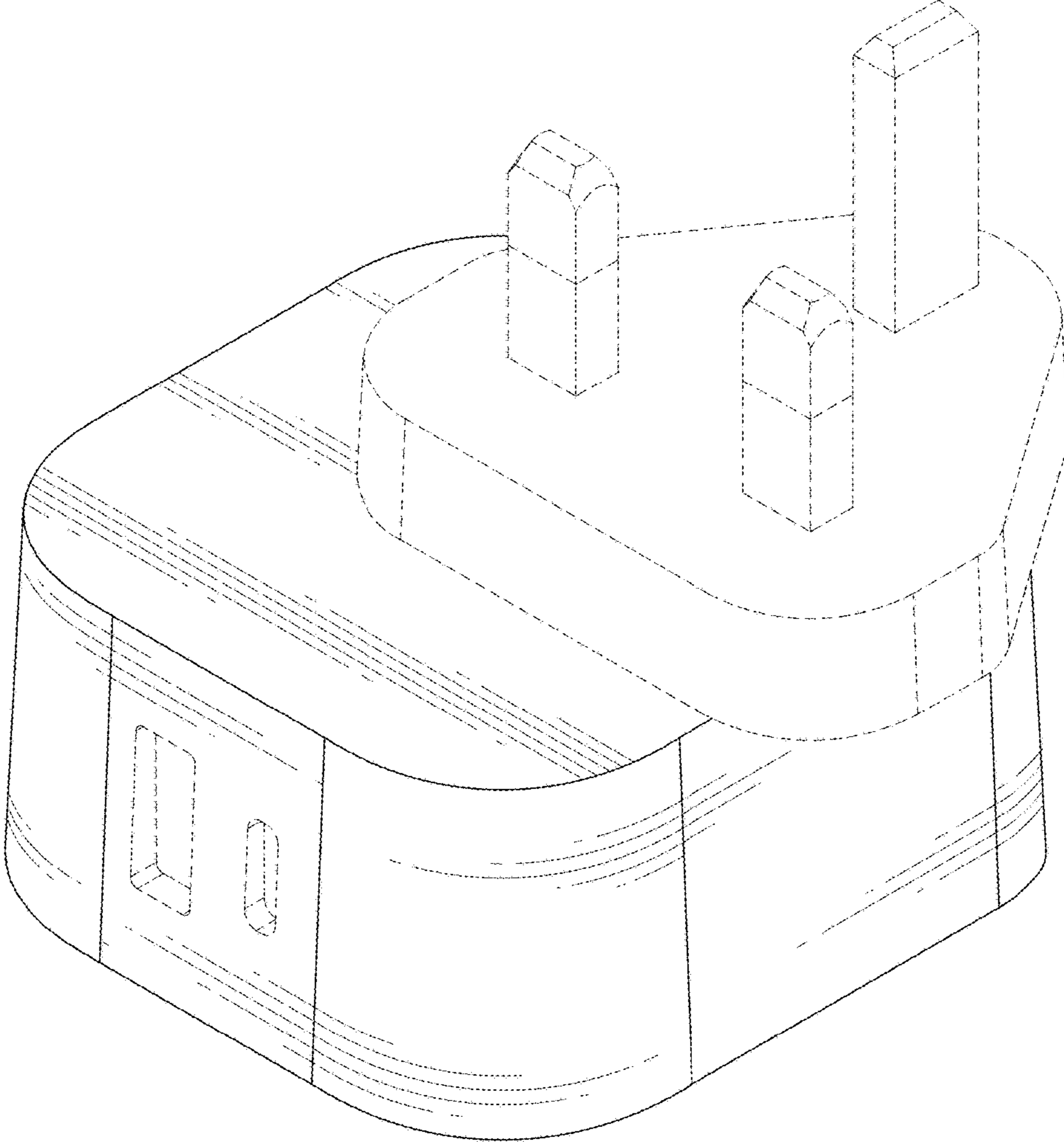


FIG.9

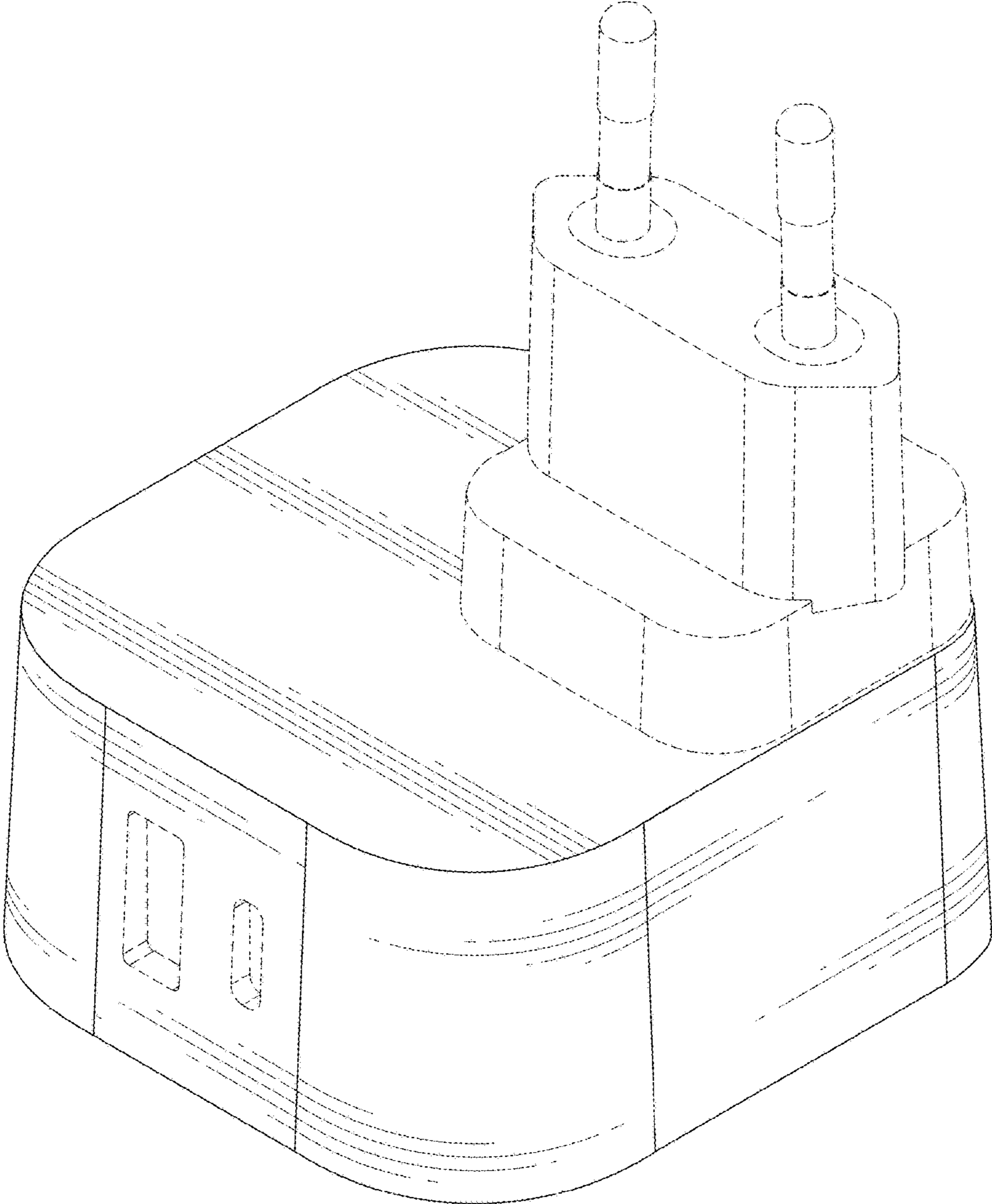


FIG.10