

US00D832211S

(12) **United States Design Patent** (10) **Patent No.:** **US D832,211 S**
Ladd et al. (45) **Date of Patent:** **** Oct. 30, 2018**

(54) **MODULAR COMPONENT HOUSING**

(71) Applicant: **Ultralife Corporation**, Newark, NY (US)

(72) Inventors: **Jeffrey C. Ladd**, Ontario, NY (US); **Michael Manna**, Canandaigua, NY (US); **Daniel Miller**, Victor, NY (US); **John Domm**, Rochester, NY (US); **Jason Mann**, Farmington, NY (US)

(73) Assignee: **Ultralife Corporation**, Newark, NY (US)

(**) Term: **15 Years**

(21) Appl. No.: **29/565,589**

(22) Filed: **May 23, 2016**

(51) **LOC (11) Cl.** **13-02**

(52) **U.S. Cl.**

USPC **D13/110; D13/103; D13/184**

(58) **Field of Classification Search**

USPC D14/168, 188, 194, 195, 196, 204, 210, D14/211, 212, 213, 214, 215, 216, 157, D14/221, 222, 223, 224, 217, 257, 258; D13/103, 110, 119, 133, 158, 184, 118, D13/149, 107, 123, 159

CPC ... B60R 11/0217; B60R 11/02; G06F 1/1688; G10K 9/22; G10K 11/004; H03F 1/327; H04M 1/03; H04M 1/035; H04N 5/642; H04N 21/4852; H04S 3/00; H04S 7/30; H04R 1/02; H04R 1/06; H04R 1/021; H04R 1/025; H04R 1/026; H04R 1/028; H04R 1/105; H04R 1/323; H04R 1/403; H04R 1/2803; H04R 1/2834; H04R 5/02; H04R 7/20; H04R 9/06; H04R 9/025; H04R 2201/021; H04R 2400/00; H04R 2400/07; H04R 2499/11; H04R 2499/13; H04R 2499/15; H05K 5/00; H05K 5/0021; H05K 7/005; H01M 2220/10

See application file for complete search history.

(56) **References Cited**

U.S. PATENT DOCUMENTS

D211,252 S * 6/1968 Hasegawa D14/188
D234,273 S * 2/1975 Wilson D3/272

(Continued)

FOREIGN PATENT DOCUMENTS

GB RGN 6003319 * 11/2016

Primary Examiner — Keli L Hill

Assistant Examiner — Karra S Johnson

(74) *Attorney, Agent, or Firm* — Duane C. Basch; Basch & Nickerson LLP

(57) **CLAIM**

The ornamental design for a modular component housing, as shown and described.

DESCRIPTION

FIG. 1 is a perspective view of the top, front and right sides of a modular component housing shown in a typical use configuration;

FIG. 2 is a front side elevation view of the modular component housing;

FIG. 3 is a left side elevation view of the modular component housing;

FIG. 4 is a right side elevation view of the modular component housing;

FIG. 5 is a rear side elevation view of the modular component housing;

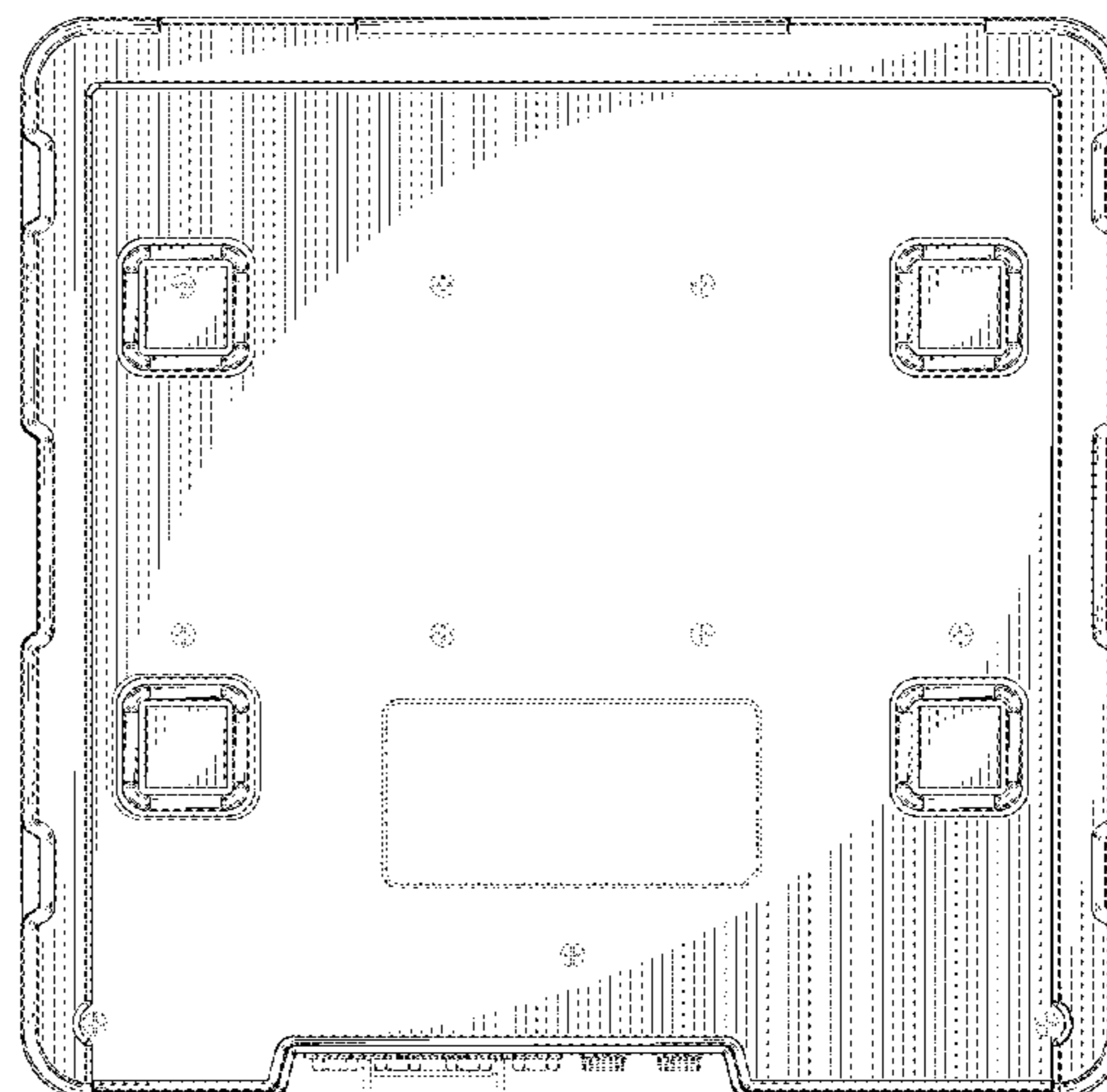
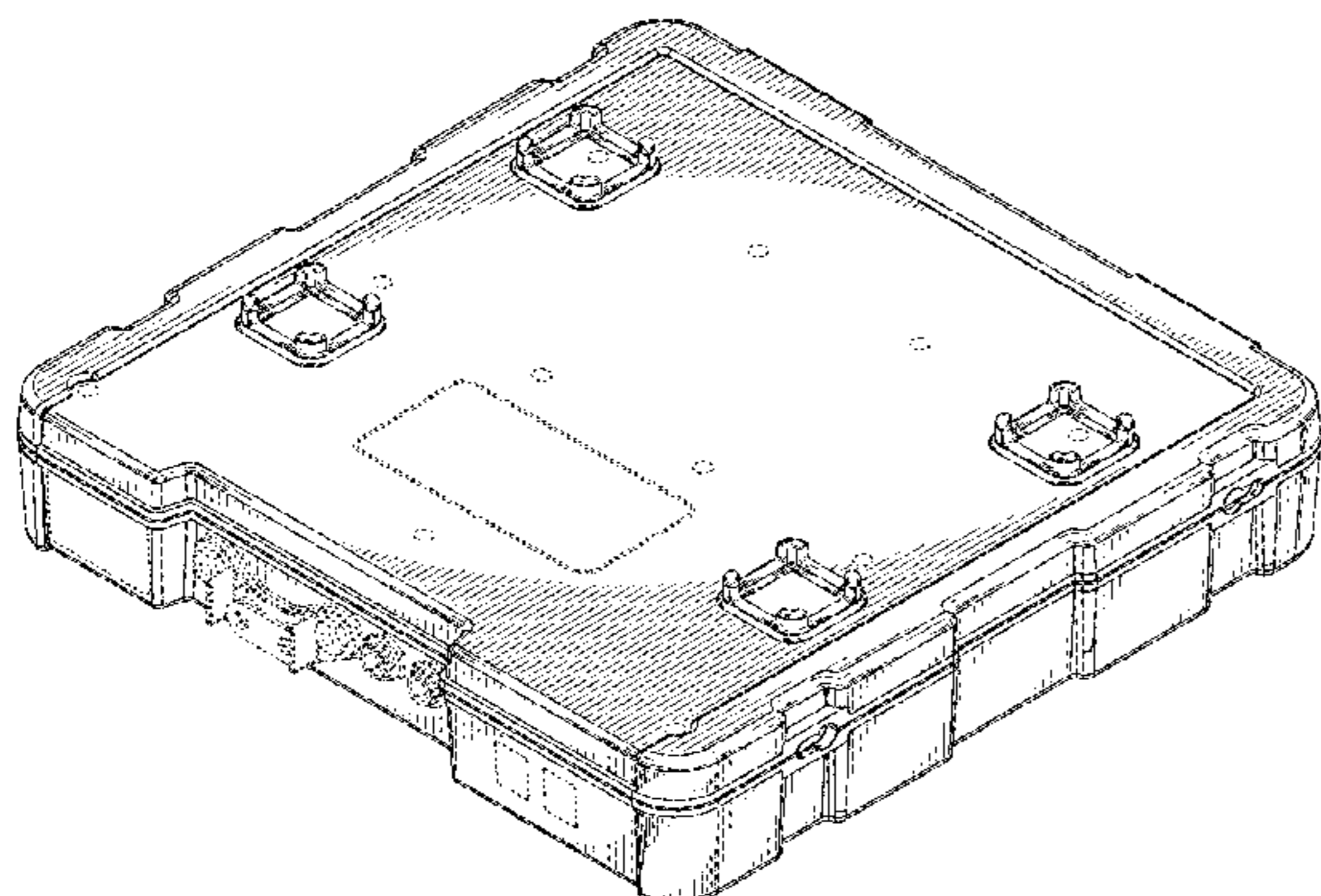
FIG. 6 is a top plan view of the modular component housing;

FIG. 7 is a bottom plan view of the modular component housing; and,

FIG. 8 is a perspective view of the modular component housing assembled in a stacked configuration.

The broken lines shown are included for the purpose of illustrating portions of the modular component housing that form no part of the claim.

1 Claim, 6 Drawing Sheets



(56)

References Cited

U.S. PATENT DOCUMENTS

D239,133 S * 3/1976 Dunmire D13/118
 D239,563 S * 4/1976 Dunmire D13/118
 D243,230 S * 2/1977 Kleiner D9/426
 D257,080 S * 9/1980 Schmidt D6/632
 4,340,139 A * 7/1982 Wilcox A45C 11/00
 206/349
 4,494,651 A * 1/1985 Malcolm H05K 9/0067
 206/719
 D324,797 S * 3/1992 Zielinski D7/409
 D357,672 S * 4/1995 Terasawa D13/182
 D360,757 S * 8/1995 Snetting D3/276
 D375,275 S * 11/1996 Suzuki D10/116.1
 D387,033 S * 12/1997 Rodriguez D13/110
 D400,168 S * 10/1998 Kuczyk D13/110
 5,864,467 A * 1/1999 Recchia H05K 5/0021
 174/561
 D406,192 S * 3/1999 Schurman D3/282
 D417,338 S * 12/1999 Main D3/276
 D422,264 S * 4/2000 Lux, Jr. D13/118
 D431,811 S * 10/2000 Nishio D13/123
 6,267,238 B1 * 7/2001 Miller A45C 13/02
 206/349
 D449,271 S * 10/2001 Tong D13/110
 D465,456 S * 11/2002 Lee D13/123
 D466,076 S * 11/2002 Nagashima D13/110

D467,869 S * 12/2002 Ando D13/110
 D469,059 S * 1/2003 Ando D13/110
 D503,149 S * 3/2005 Teramae D13/110
 D503,389 S * 3/2005 Dabrowski D13/184
 D517,506 S * 3/2006 Dabrowski D13/184
 D556,686 S * 12/2007 Matsuo D13/110
 D578,062 S * 10/2008 Gotoh D13/101
 D580,169 S * 11/2008 Gibson D3/272
 D583,321 S * 12/2008 Miyamoto D13/133
 D593,751 S * 6/2009 McDade D3/272
 D613,253 S * 4/2010 Yamanaka D13/158
 D613,254 S * 4/2010 Tsuduki D13/158
 D655,252 S * 3/2012 Okubo D13/159
 D685,727 S * 7/2013 Ejiri D13/103
 9,197,964 B2 * 11/2015 Gotoh H04R 5/04
 9,298,218 B2 * 3/2016 Vasilevsky G06F 1/1632
 9,318,735 B2 * 4/2016 Okamoto H01M 2/305
 9,351,060 B2 * 5/2016 Wilker H04R 1/026
 D771,016 S * 11/2016 Matsunaga D14/214
 9,711,765 B1 * 7/2017 Ladd H01M 2/1022
 D797,662 S * 9/2017 Constin D13/103
 2006/0136622 A1 * 6/2006 Rouvelin H05K 5/0021
 710/62
 2012/0313390 A1 * 12/2012 Dou B60R 11/02
 296/1.07
 2016/0100256 A1 * 4/2016 Watson H04R 19/04
 381/113
 2016/0268658 A1 * 9/2016 Kong H01M 2/0207

* cited by examiner

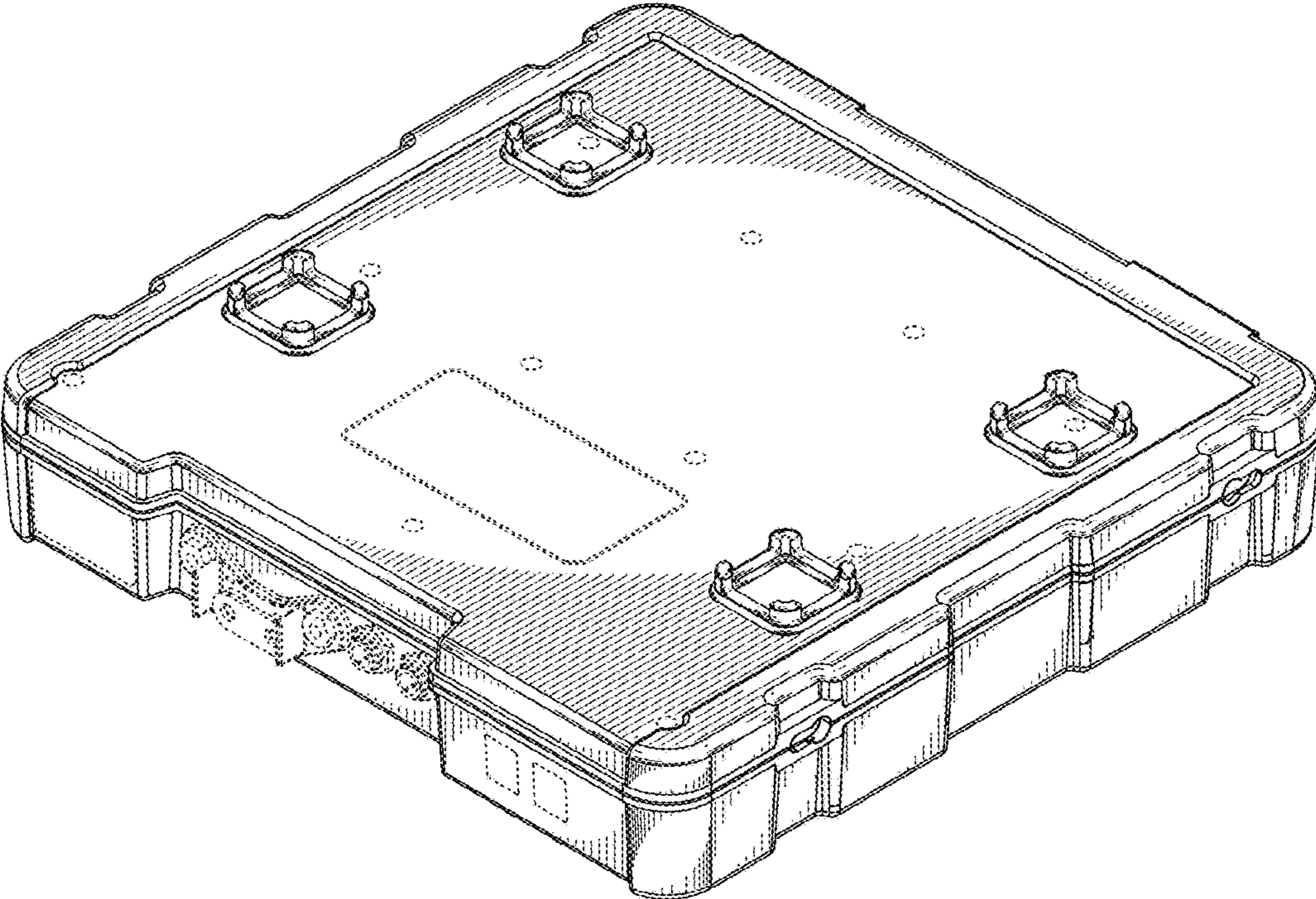


FIG. 1

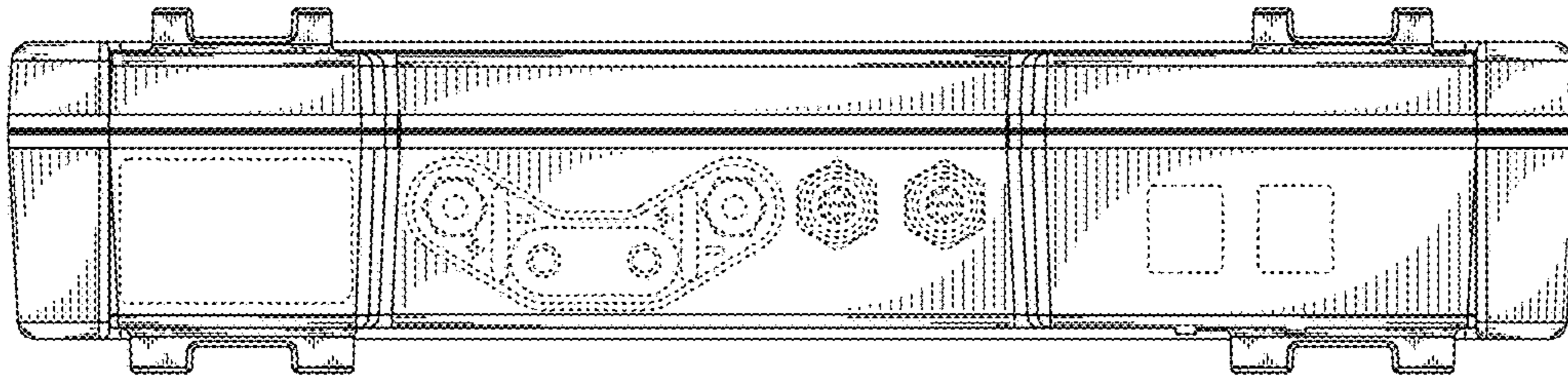


FIG. 2

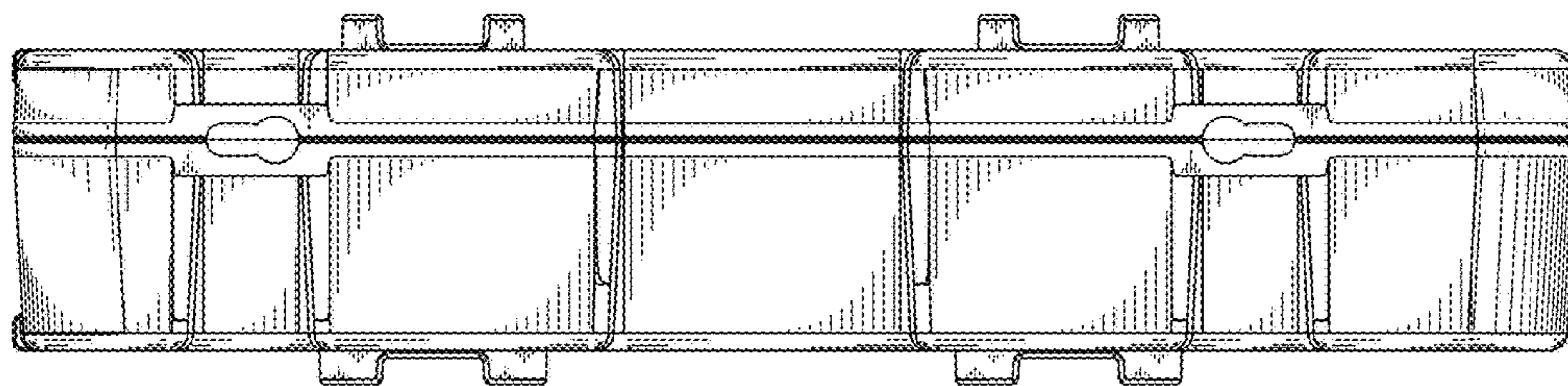


FIG. 3

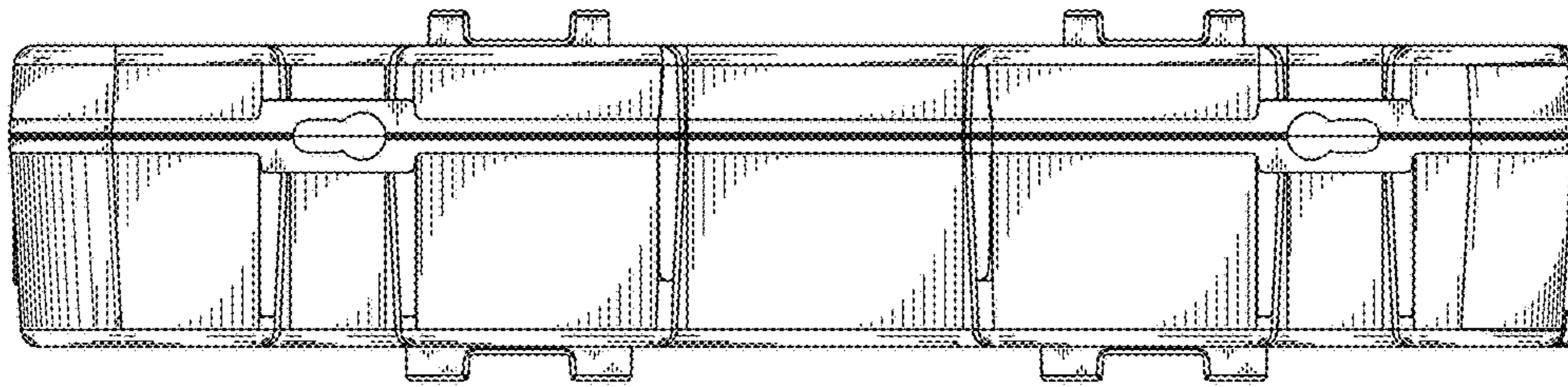


FIG. 4

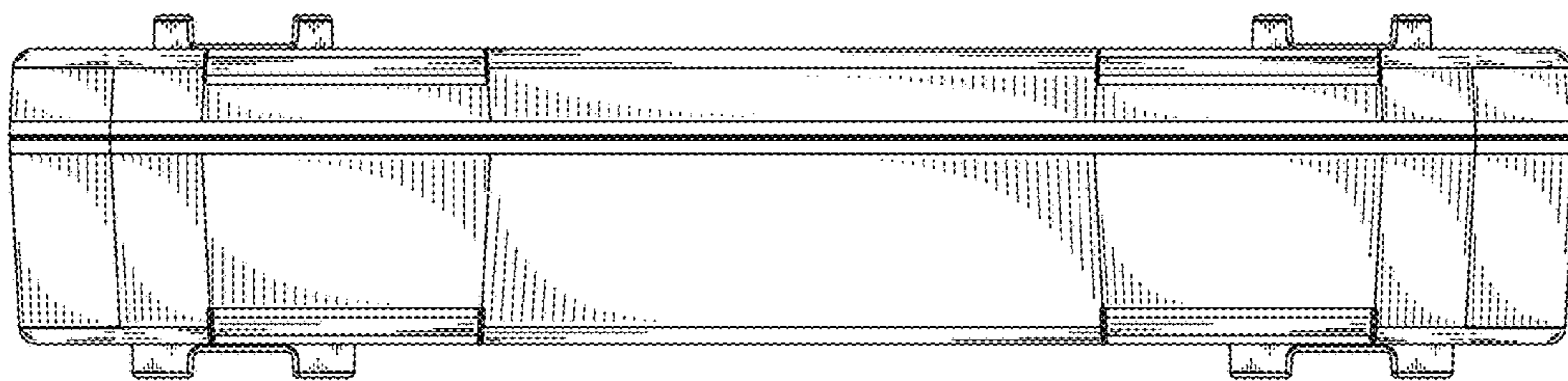


FIG. 5

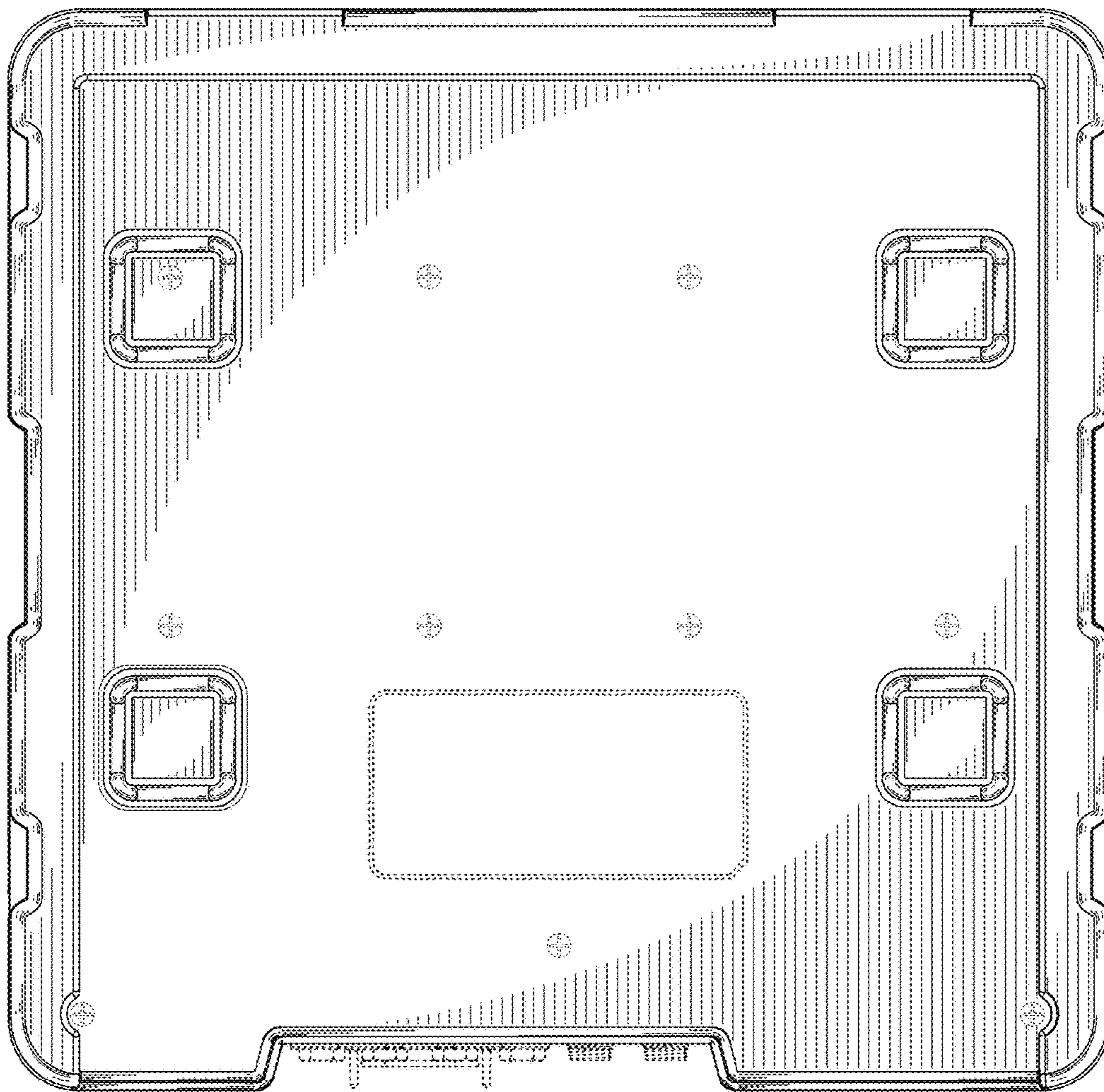


FIG. 6

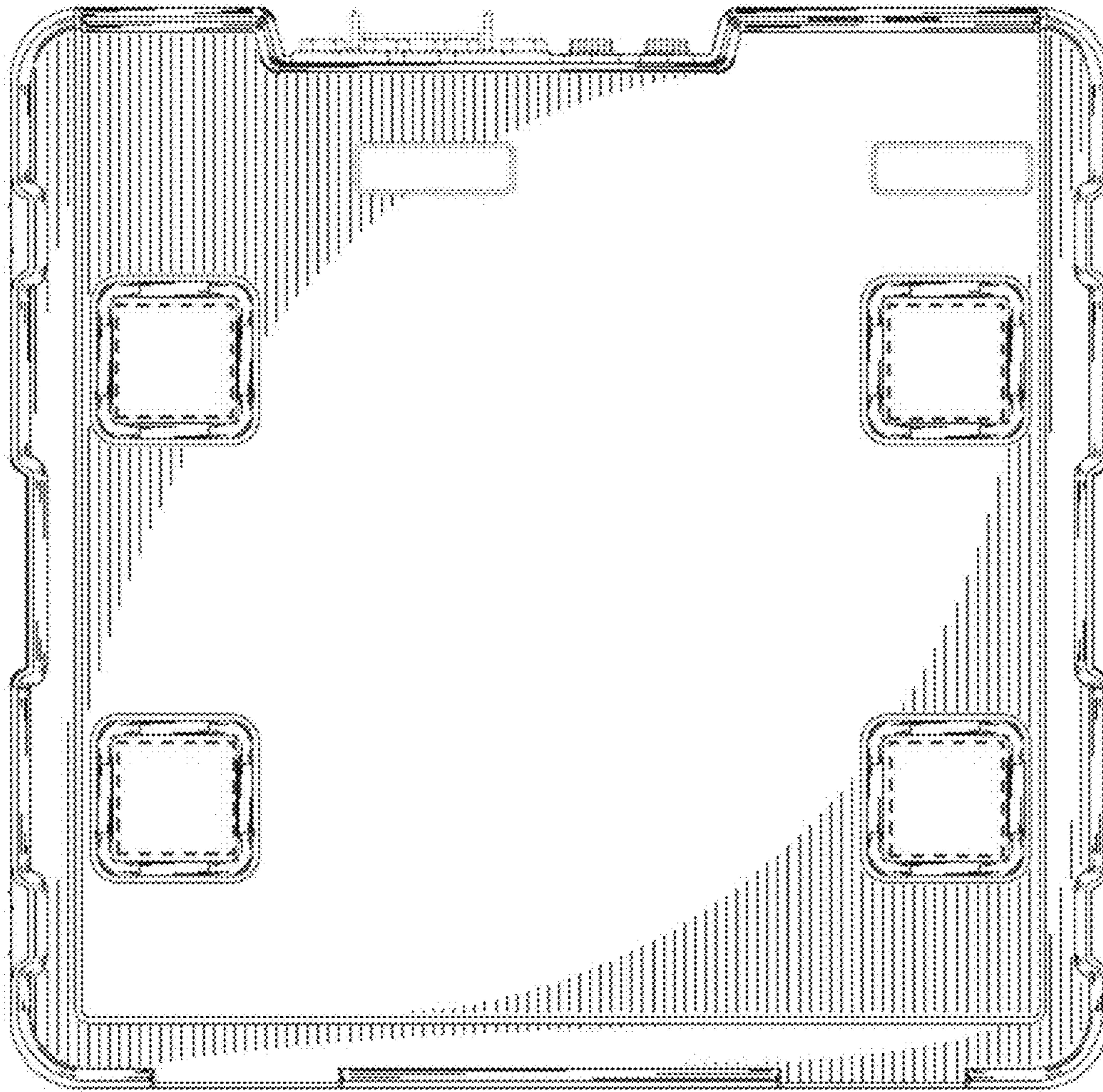


FIG. 7

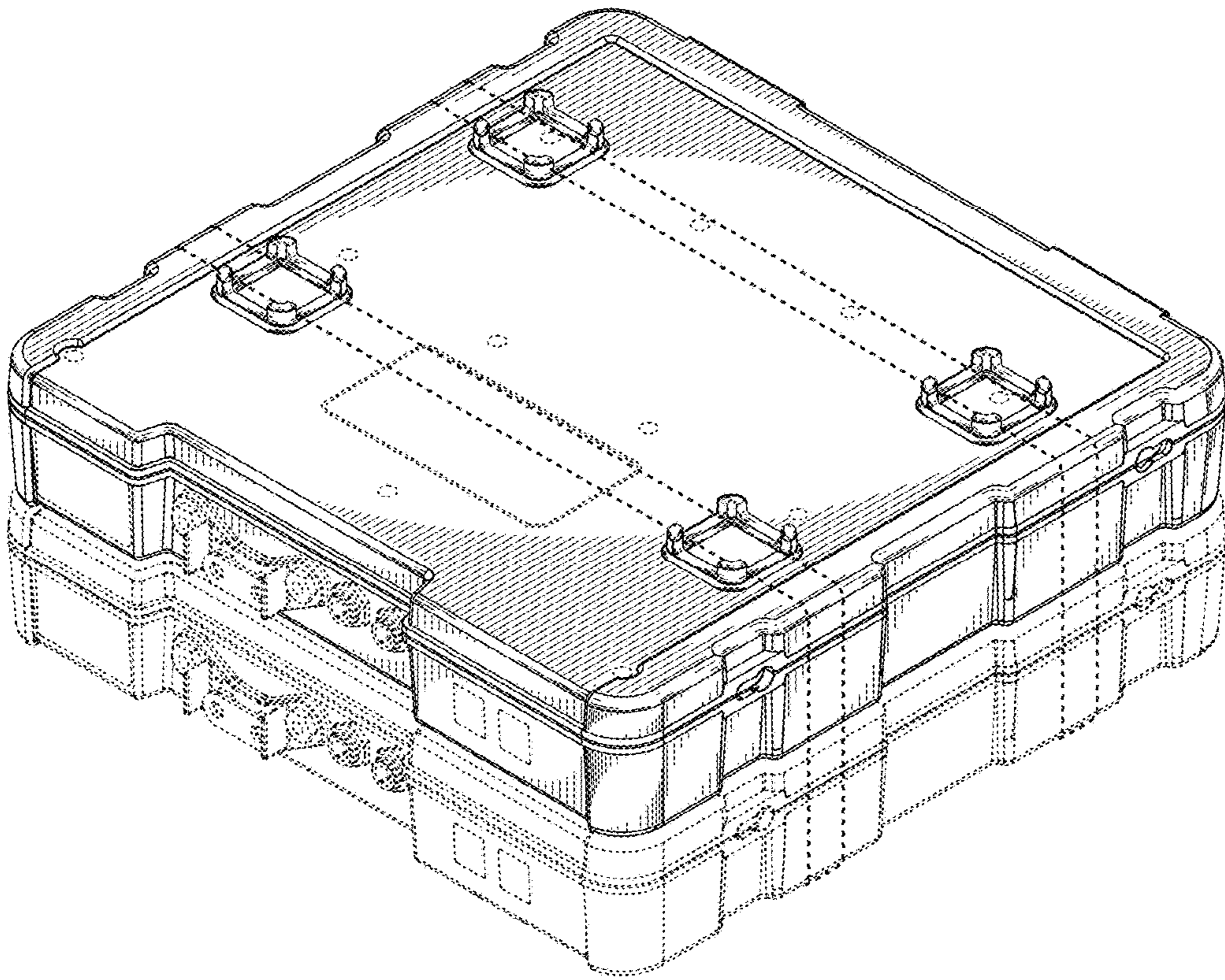


FIG. 8