



US00D832210S

(12) **United States Design Patent**
Janos et al.

(10) **Patent No.:** **US D832,210 S**
(45) **Date of Patent:** **** Oct. 30, 2018**

- (54) **POWER SUPPLY ENCLOSURE**
- (71) Applicant: **Kichler Lighting LLC**, Cleveland, OH (US)
- (72) Inventors: **Joseph John Janos**, Phoenix, AZ (US);
John Joseph Ascherl, Medina, OH (US)
- (73) Assignee: **Kichler Lighting LLC**, Cleveland, OH (US)
- (**) Term: **15 Years**
- (21) Appl. No.: **29/538,088**
- (22) Filed: **Sep. 1, 2015**

Related U.S. Application Data

- (63) Continuation of application No. 29/471,684, filed on Nov. 4, 2013, now Pat. No. Des. 737,764.
- (51) **LOC (11) Cl.** **13-02**
- (52) **U.S. Cl.**
USPC **D13/110**
- (58) **Field of Classification Search**
USPC ... D13/101, 110, 118, 162, 162.1, 177, 184,
D13/199; D10/40; D3/201, 272
CPC A01G 25/16; A01G 25/165; A01G 25/167;
H02B 1/26; G05B 19/042; G05B
19/0426; G05B 2219/2625; G05B
2219/23043; G05B 2219/23051; G05B
2219/23297; G05B 2219/23406; G05B
2219/25085; H02M 7/00; H02M 7/003;
H02M 7/043
See application file for complete search history.

(56) **References Cited**

U.S. PATENT DOCUMENTS

- D310,509 S 9/1990 Fushiya et al.
- D312,244 S 11/1990 Collins et al.
- D412,398 S 8/1999 Watabe

- 5,986,896 A 11/1999 Gibart et al.
 - 6,262,496 B1 7/2001 Lamar et al.
 - D446,500 S 8/2001 Krieger et al.
- (Continued)

Primary Examiner — Derrick Holland

(74) *Attorney, Agent, or Firm* — Brooks Kushman P.C.;
Kirk Rudolph

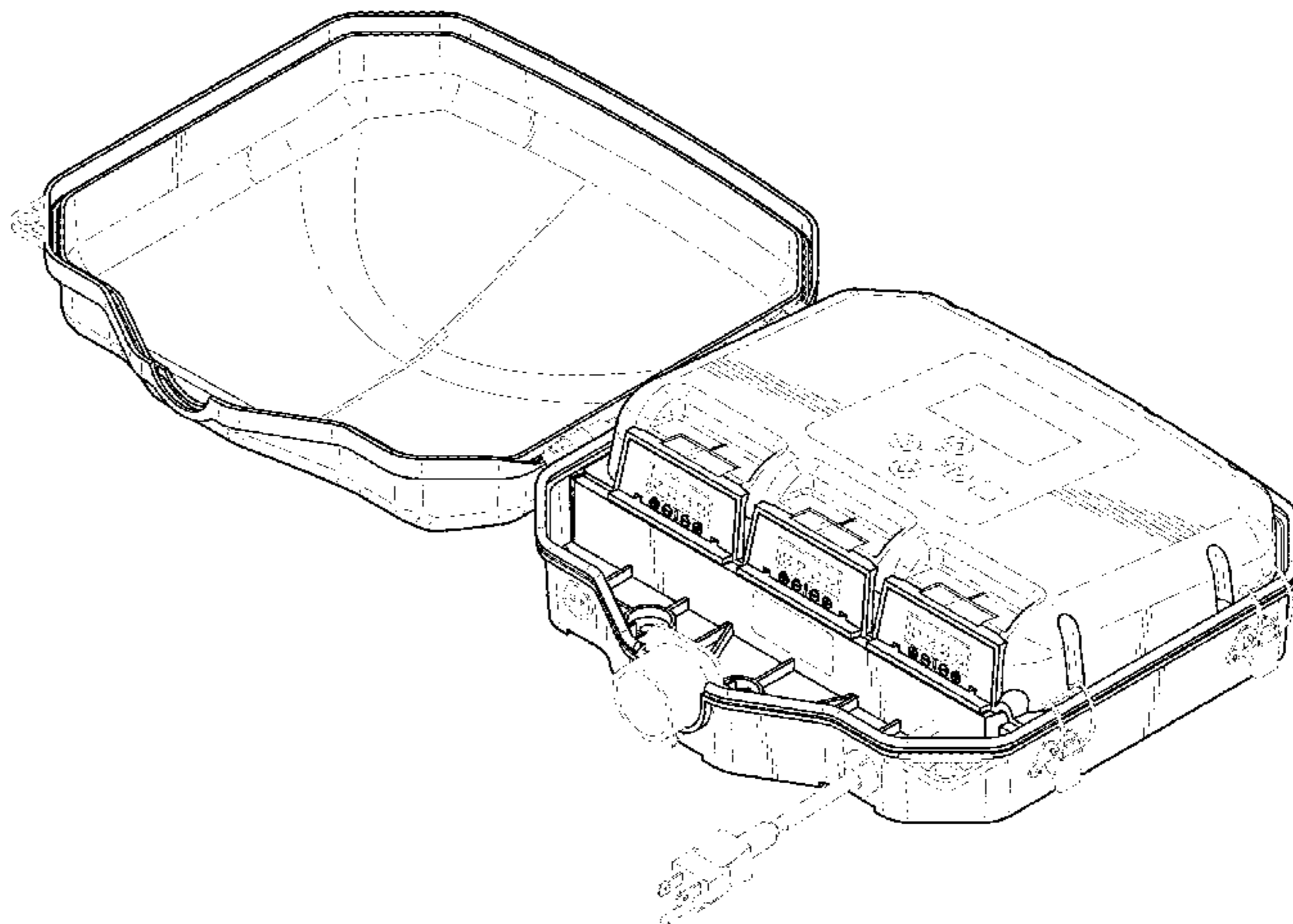
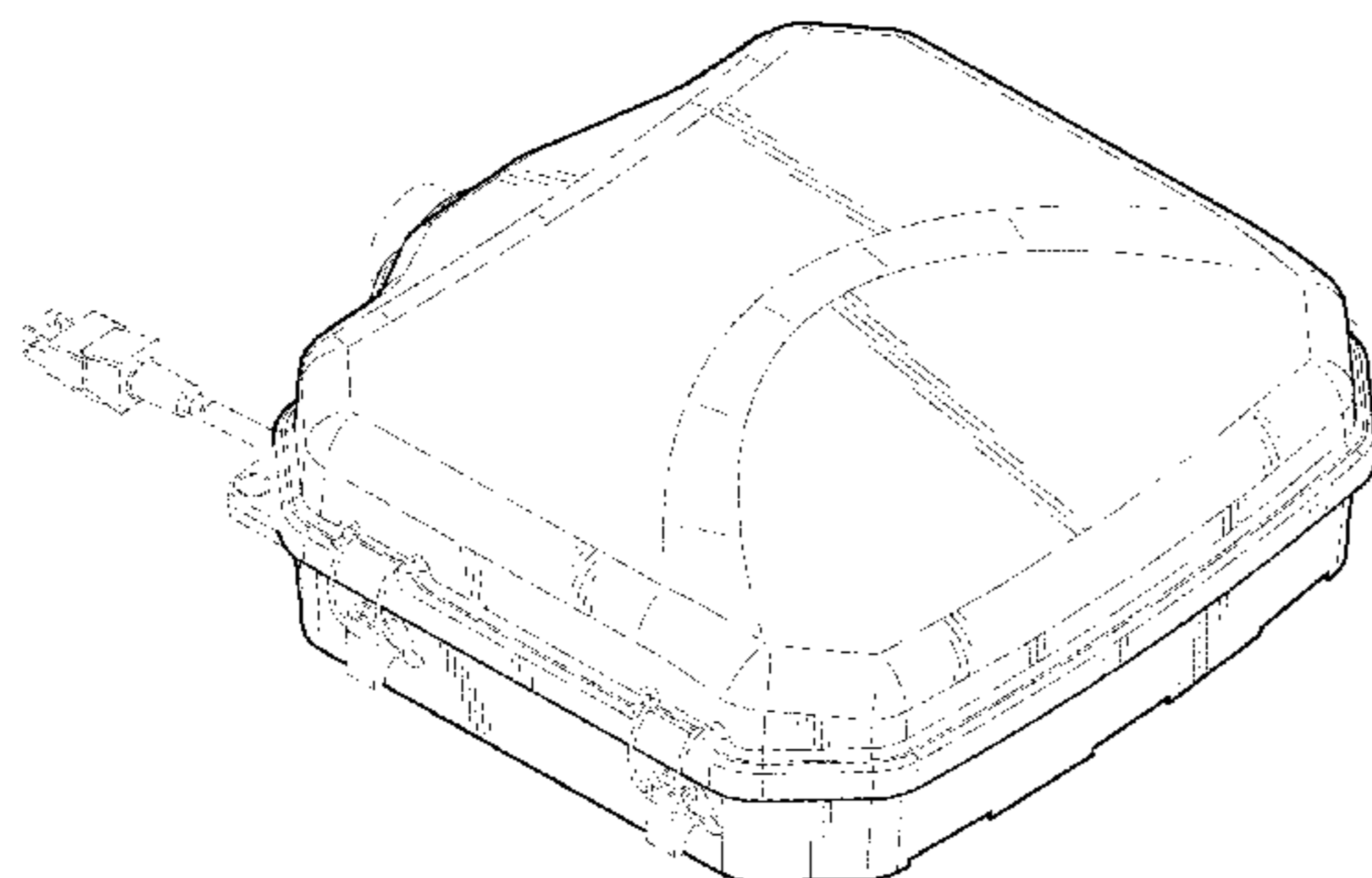
(57) **CLAIM**

We claim the ornamental design for a power supply enclosure, as shown and described.

DESCRIPTION

FIG. 1 is a top view of a power supply enclosure;
 FIG. 2 is a bottom view thereof;
 FIG. 3 is a front/left/top perspective view thereof;
 FIG. 4 is a front/right/top perspective view thereof;
 FIG. 5 is a front/right/bottom perspective view thereof;
 FIG. 6 is a front/left/bottom perspective view thereof;
 FIG. 7 is a left side view thereof;
 FIG. 8 is a right side view thereof;
 FIG. 9 is a front view thereof;
 FIG. 10 is a rear view thereof;
 FIGS. 11-18 show the power supply enclosure of FIGS. 1-10 with the cover in an open position.
 FIG. 11 is a left side view of the power supply enclosure with the cover in the open position;
 FIG. 12 is a right side view thereof;
 FIG. 13 is a bottom view thereof;
 FIG. 14 is a top view thereof;
 FIG. 15 is a front view thereof;
 FIG. 16 is a rear view thereof;
 FIG. 17 is a front/right/bottom perspective view thereof;
 and,
 FIG. 18 is a front/right/top perspective view thereof.
 The broken lines shown represent unclaimed subject matter and form no part of the claimed design. The electrical plug is shown with a symbolic break in its length. The appearance of any portion of the article between the breaks forms no part of the claimed design.

1 Claim, 12 Drawing Sheets



(56)

References Cited

U.S. PATENT DOCUMENTS

D458,127	S	6/2002	de Groote	
D492,264	S *	6/2004	Perez	D13/162
D493,772	S	8/2004	Veino et al.	
7,255,597	B2	8/2007	Nakamura et al.	
D552,541	S	10/2007	Gossett	
D557,203	S	12/2007	Grunow et al.	
D562,229	S	2/2008	Peters	
D572,480	S	7/2008	Buck et al.	
D579,870	S *	11/2008	Dunbar	D13/110
D581,880	S *	12/2008	Neitzel	D13/162
7,672,116	B2	3/2010	Li et al.	
D620,885	S	8/2010	Donth	
D626,067	S *	10/2010	Seropjan	D13/116
D691,803	S	10/2013	Chen	
D701,490	S	3/2014	Inskeep	
D703,617	S	4/2014	Janky et al.	
D705,164	S	5/2014	Tsai	
D737,764	S	9/2015	Janos et al.	
2008/0071426	A1 *	3/2008	Perez	A01G 25/16 700/284
2009/0067191	A1	3/2009	Faber et al.	
2011/0170239	A1	7/2011	Nelson et al.	
2012/0196304	A1	8/2012	Dees et al.	
2014/0249684	A1	9/2014	Nickerson et al.	

* cited by examiner

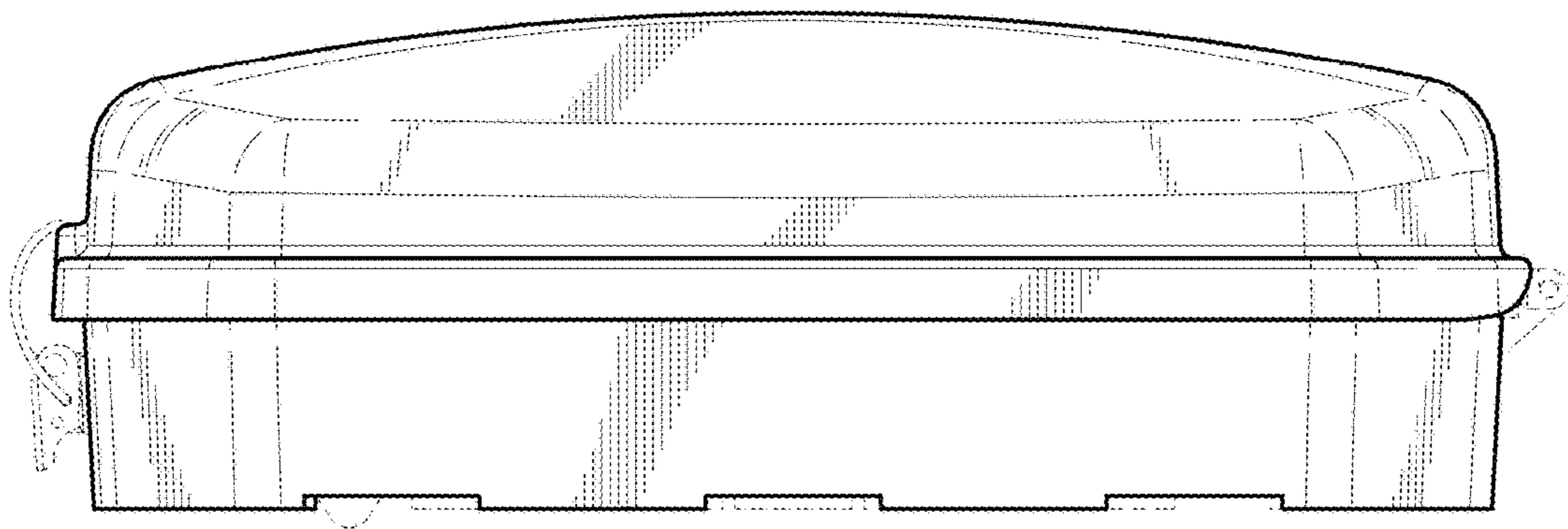


FIG. 1

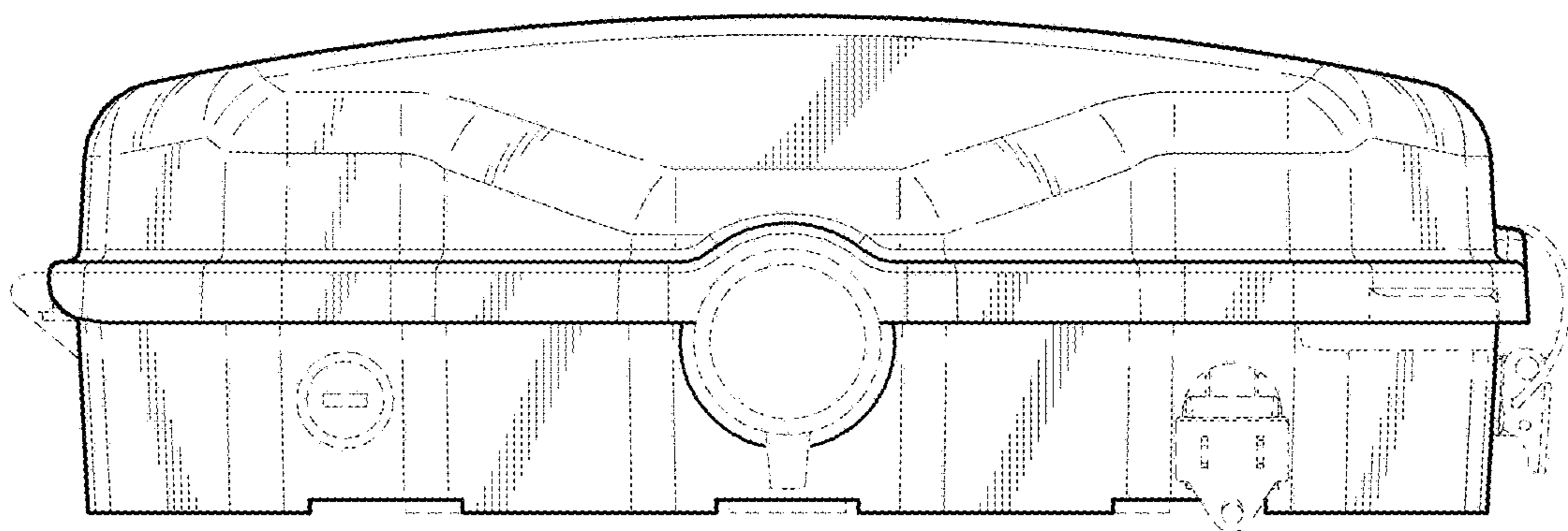


FIG. 2

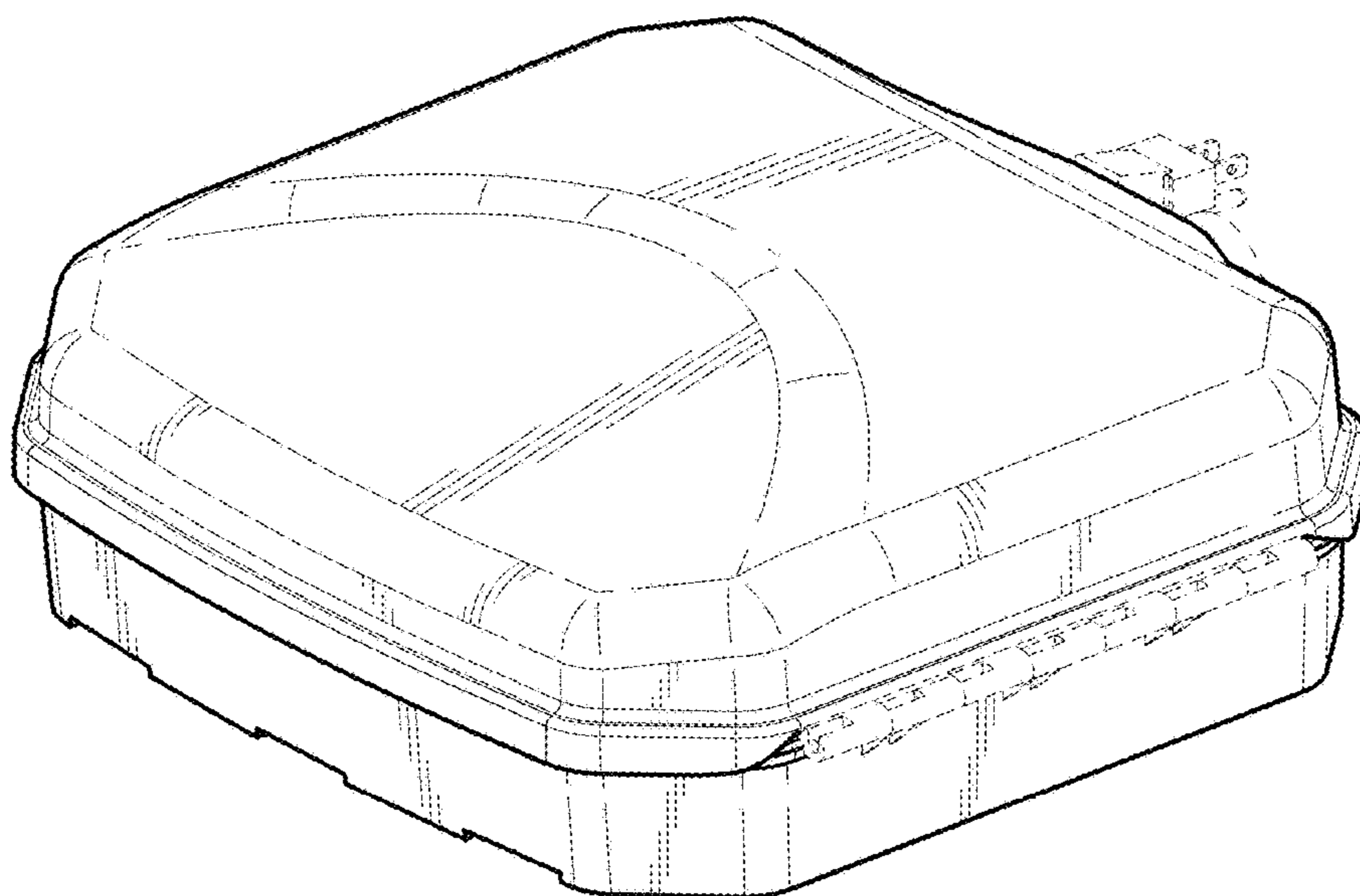


FIG. 3

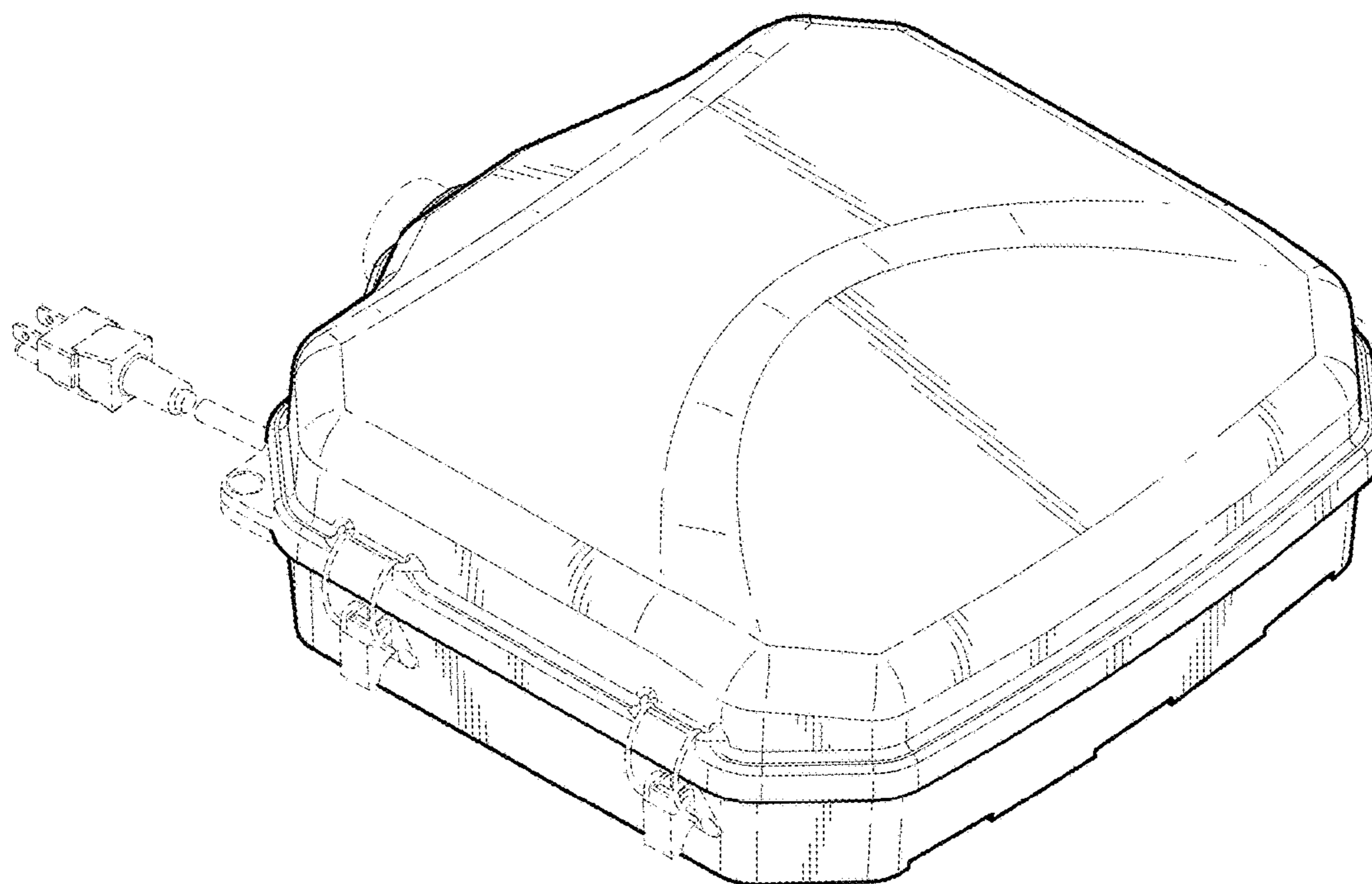


FIG. 4

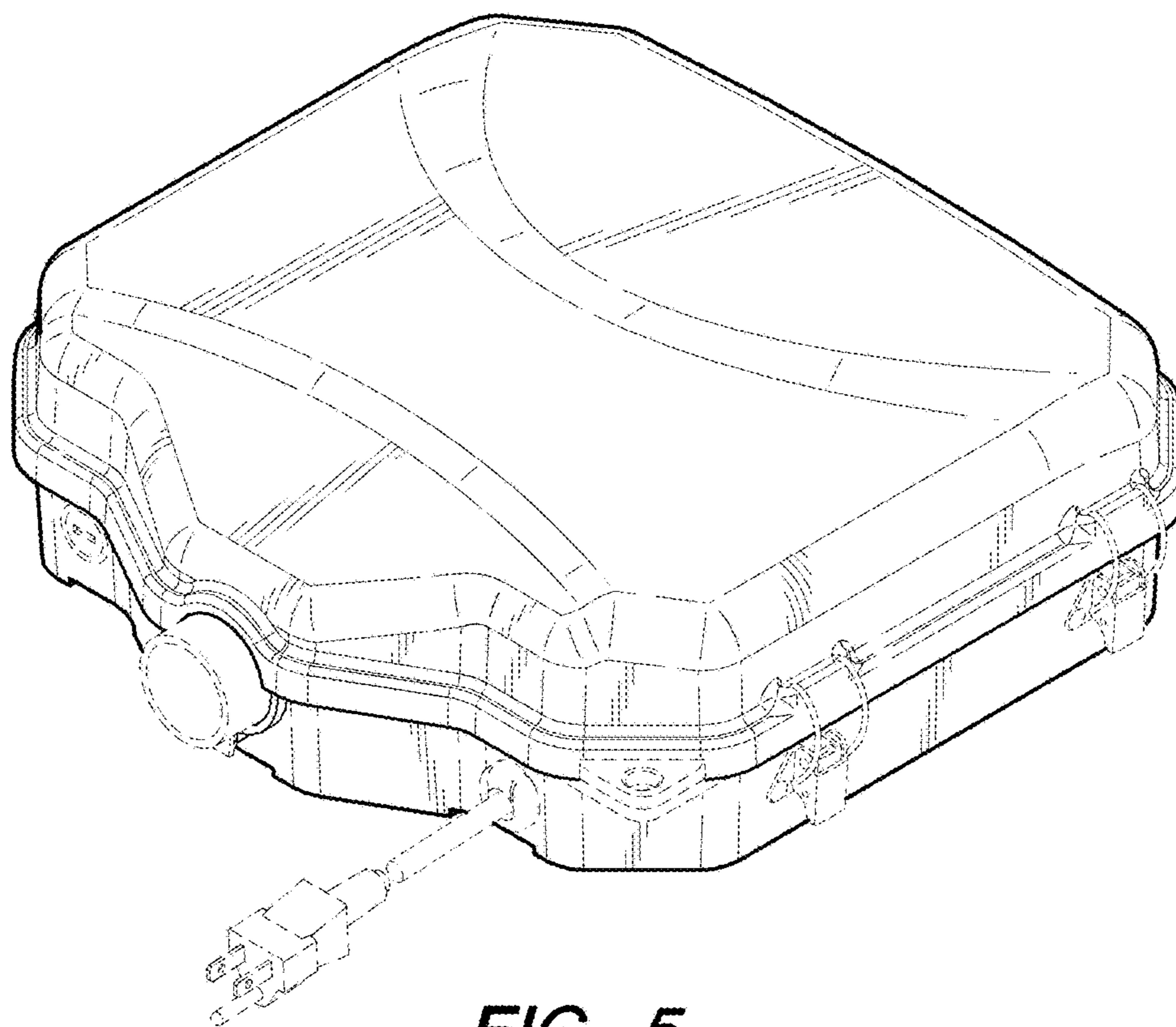


FIG. 5

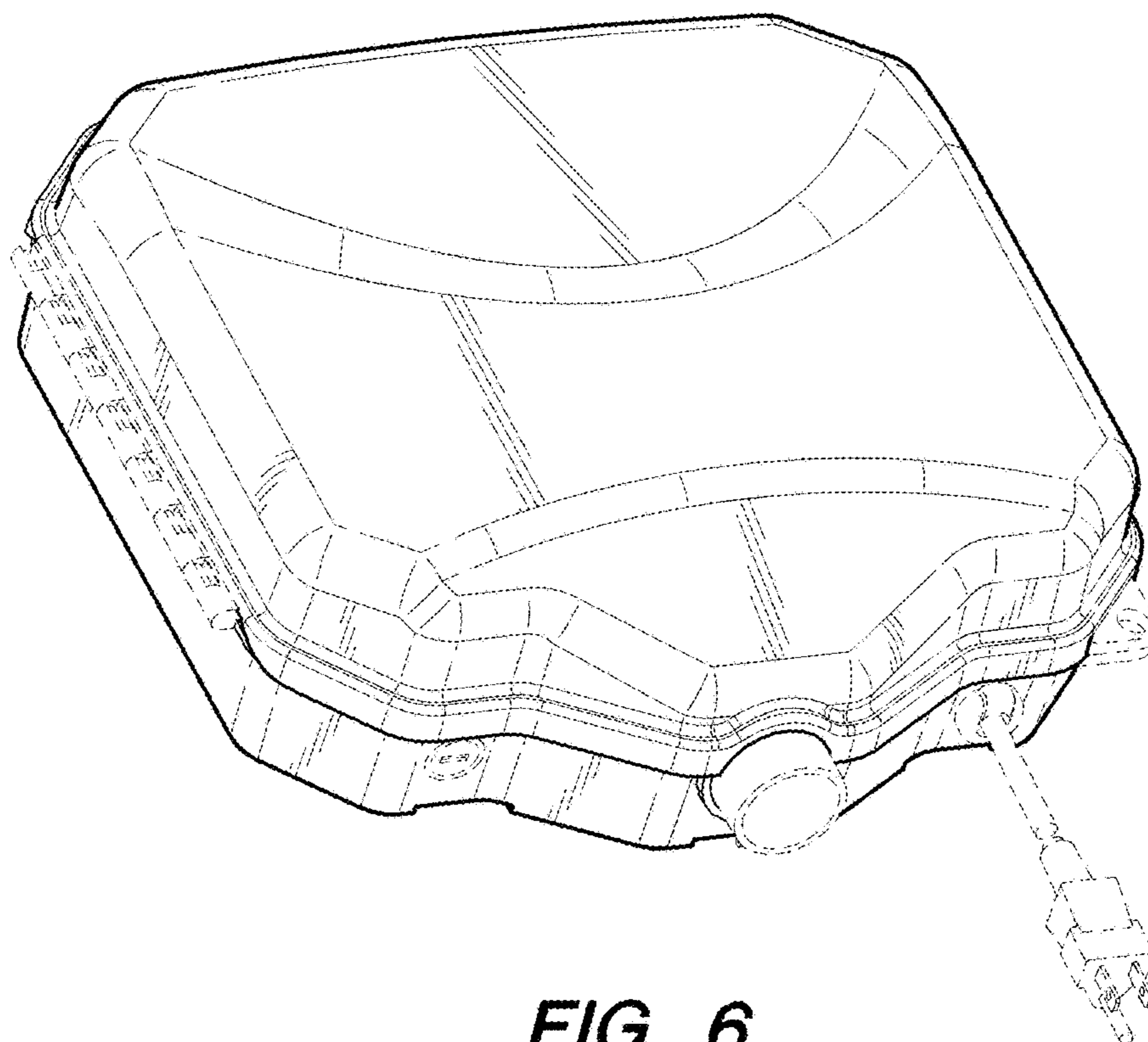


FIG. 6

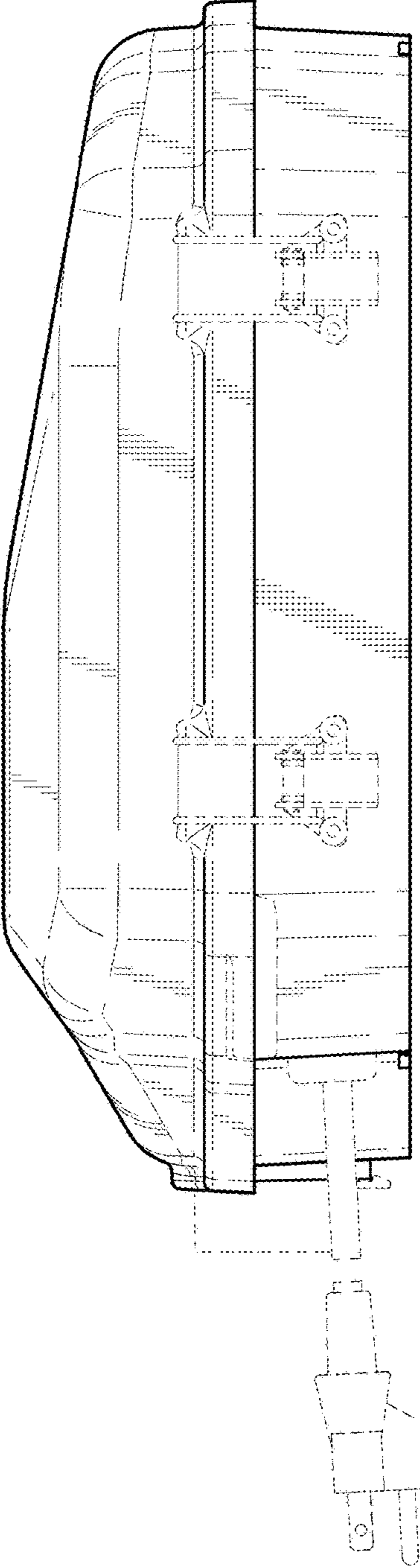


FIG. 7

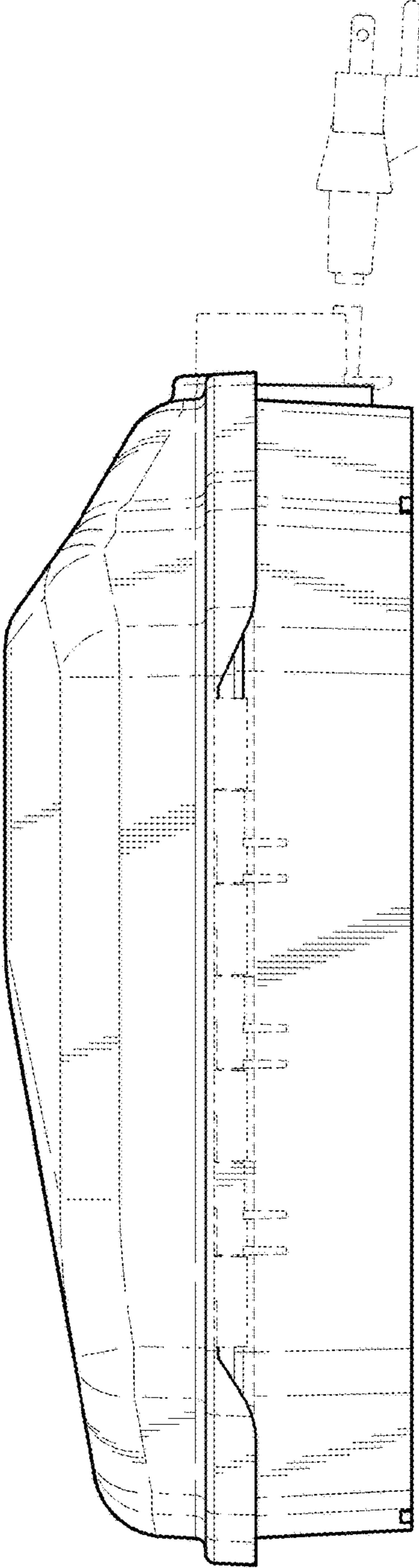


FIG. 8

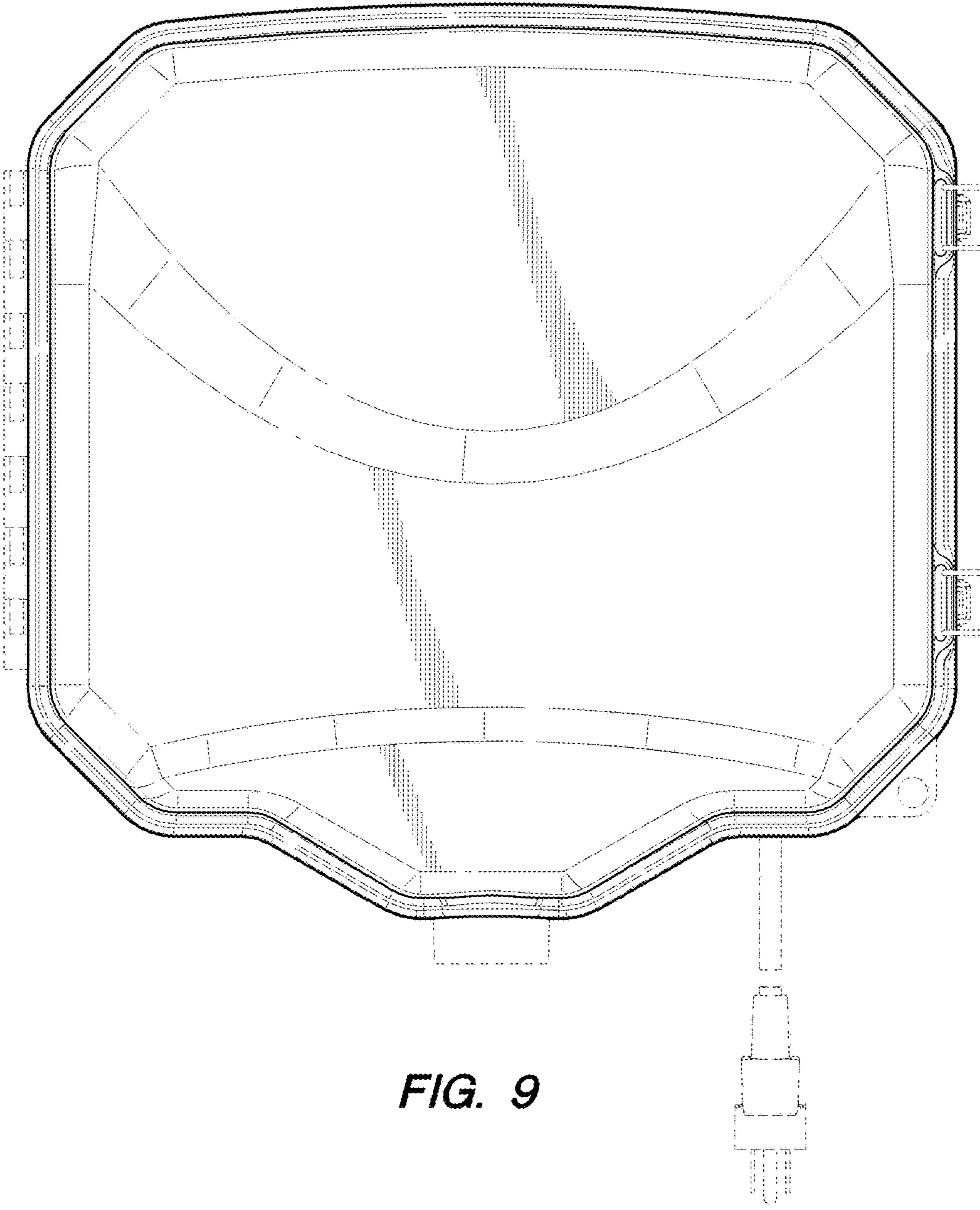


FIG. 9

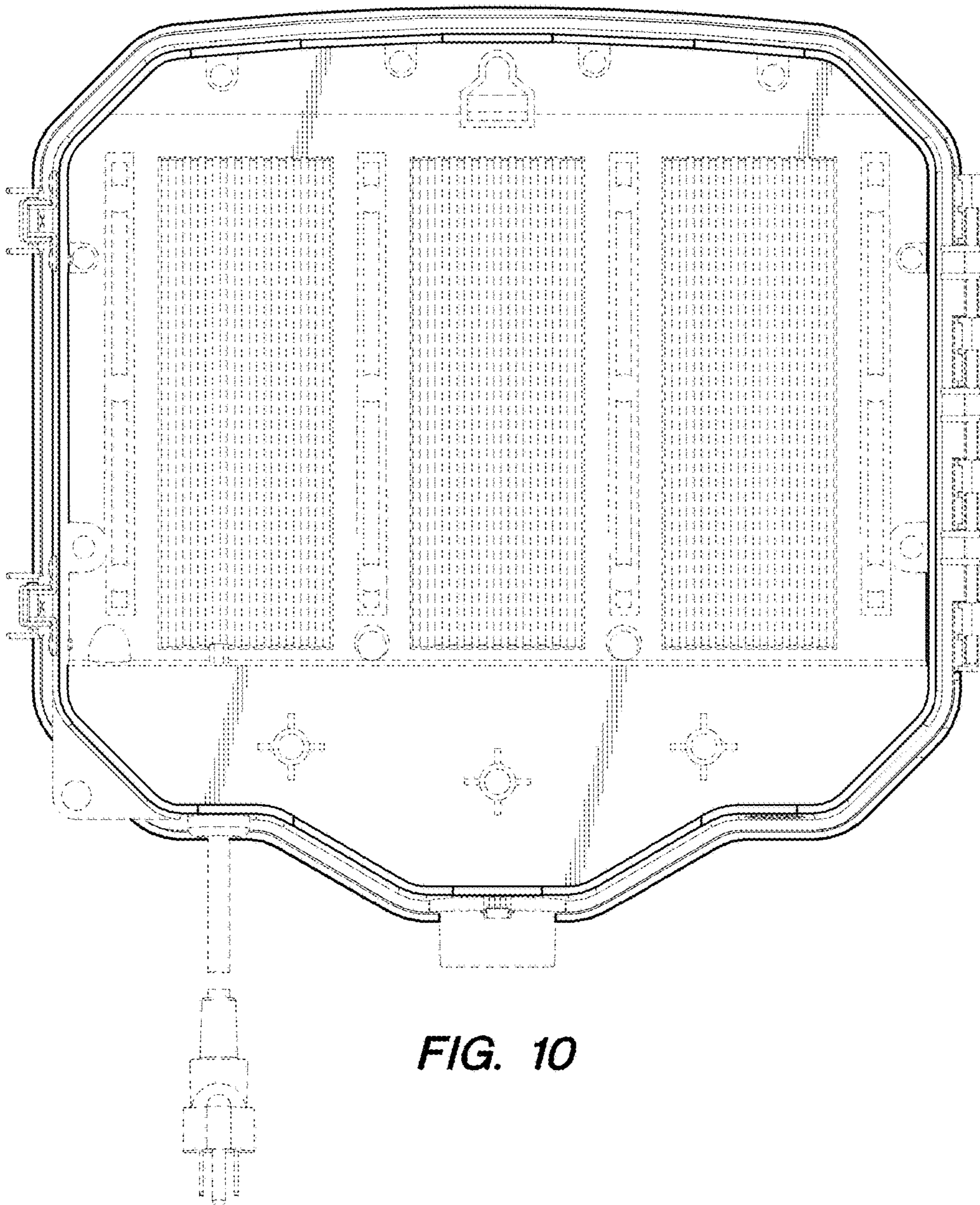


FIG. 10

FIG. 11

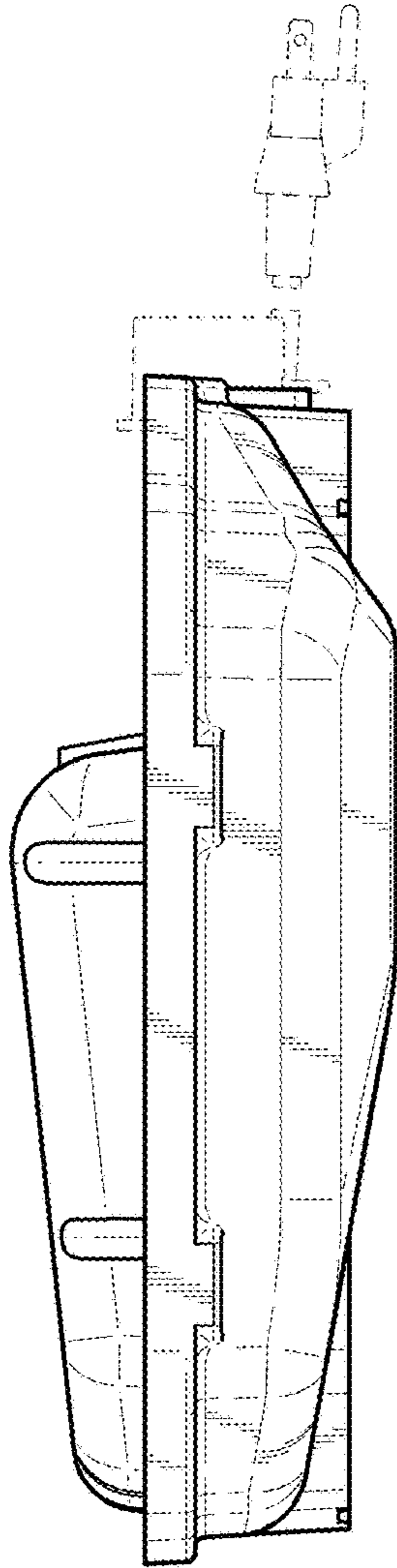
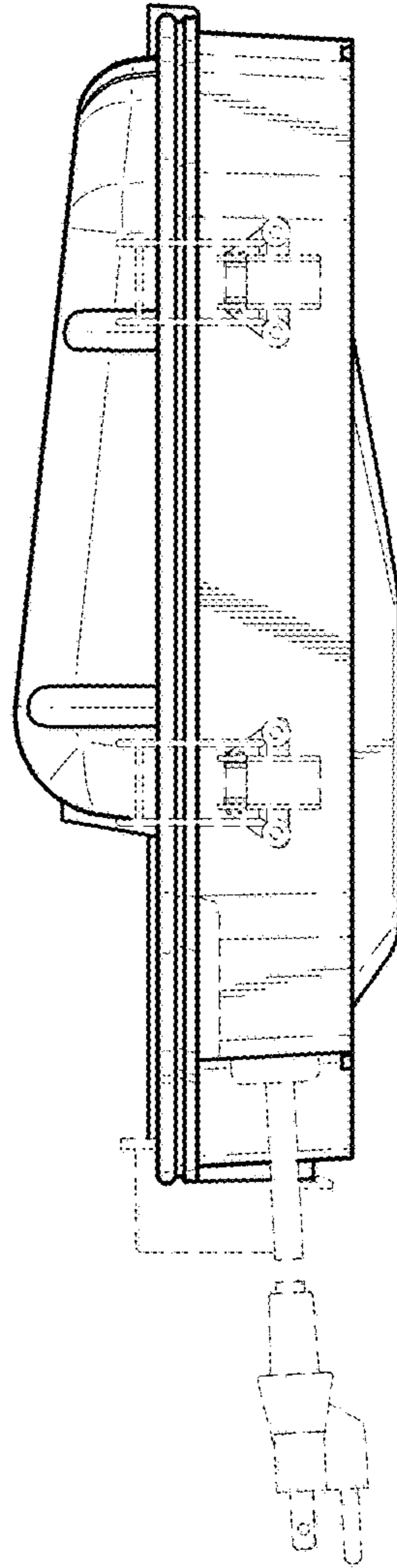
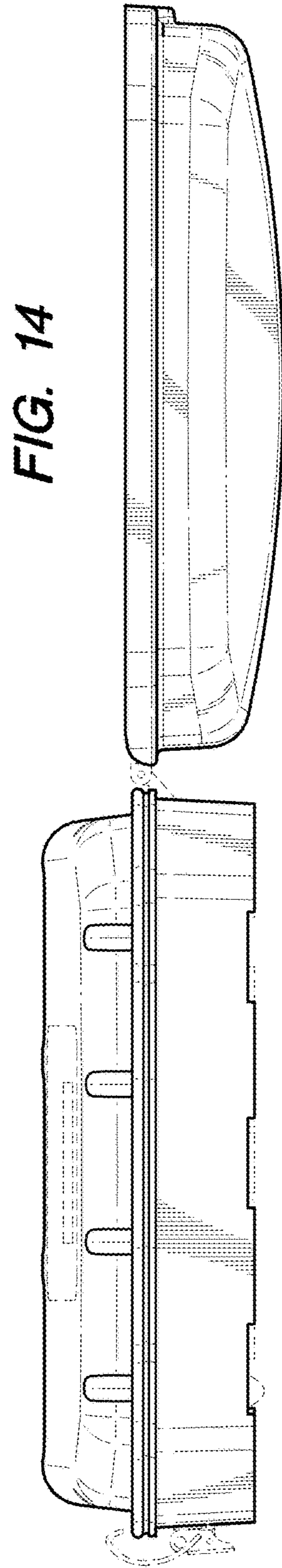
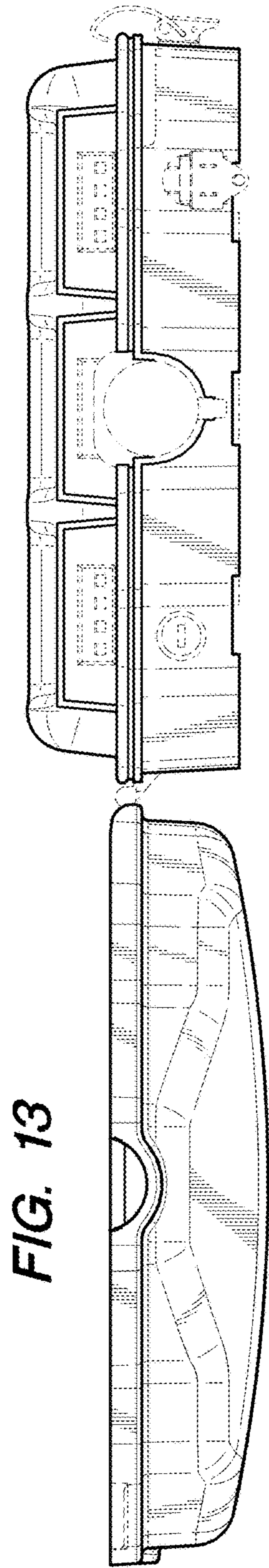


FIG. 12





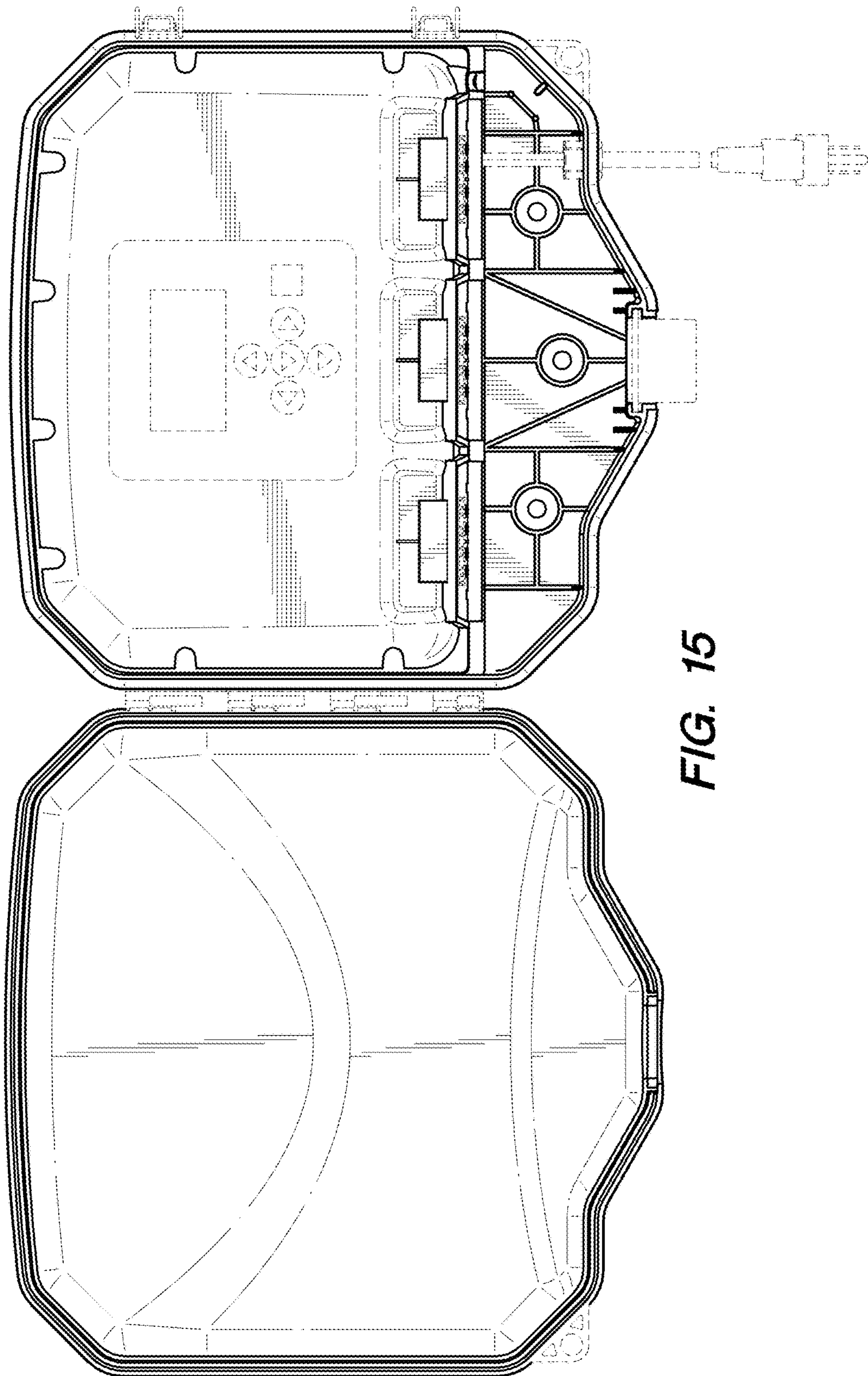


FIG. 15

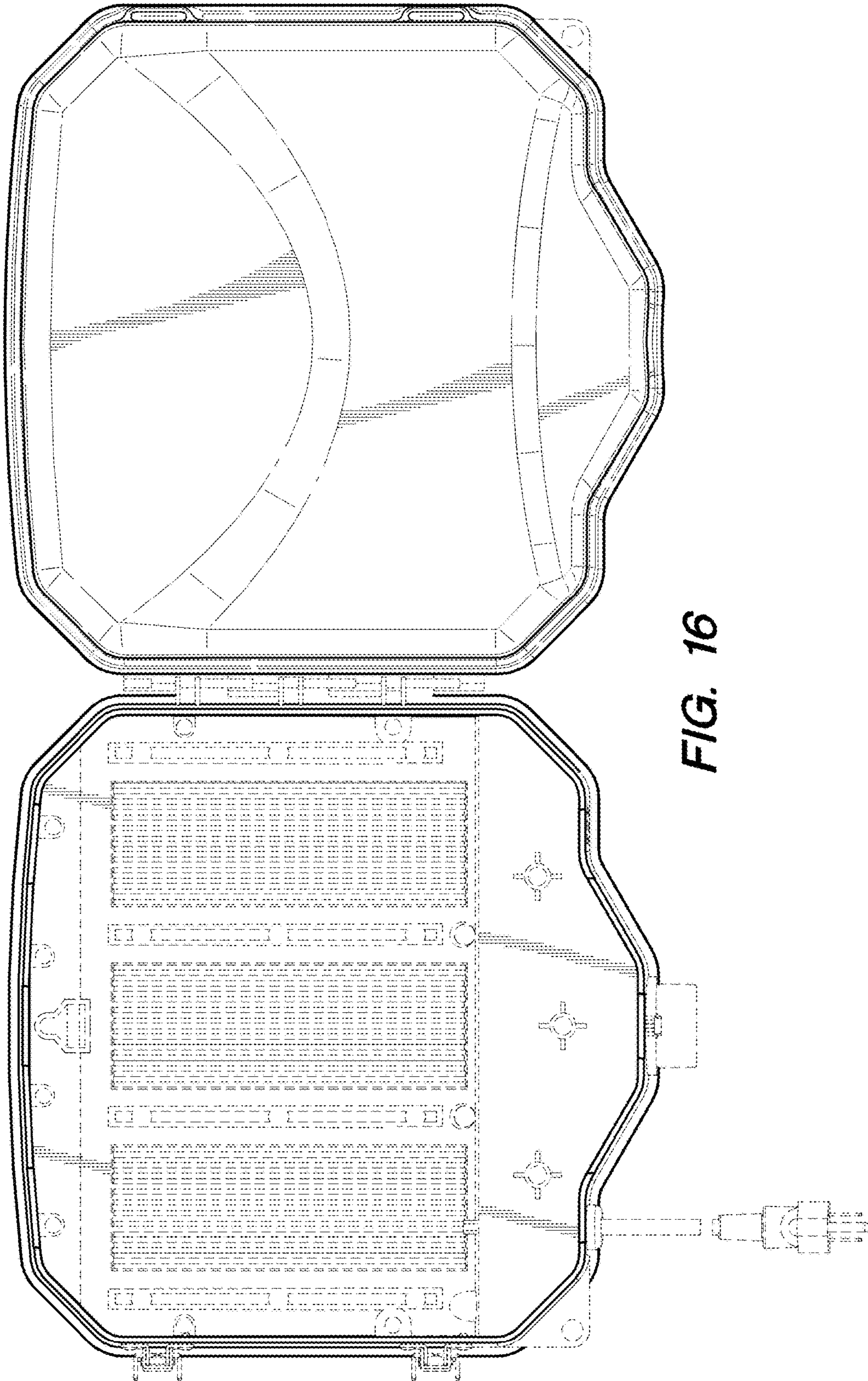


FIG. 16

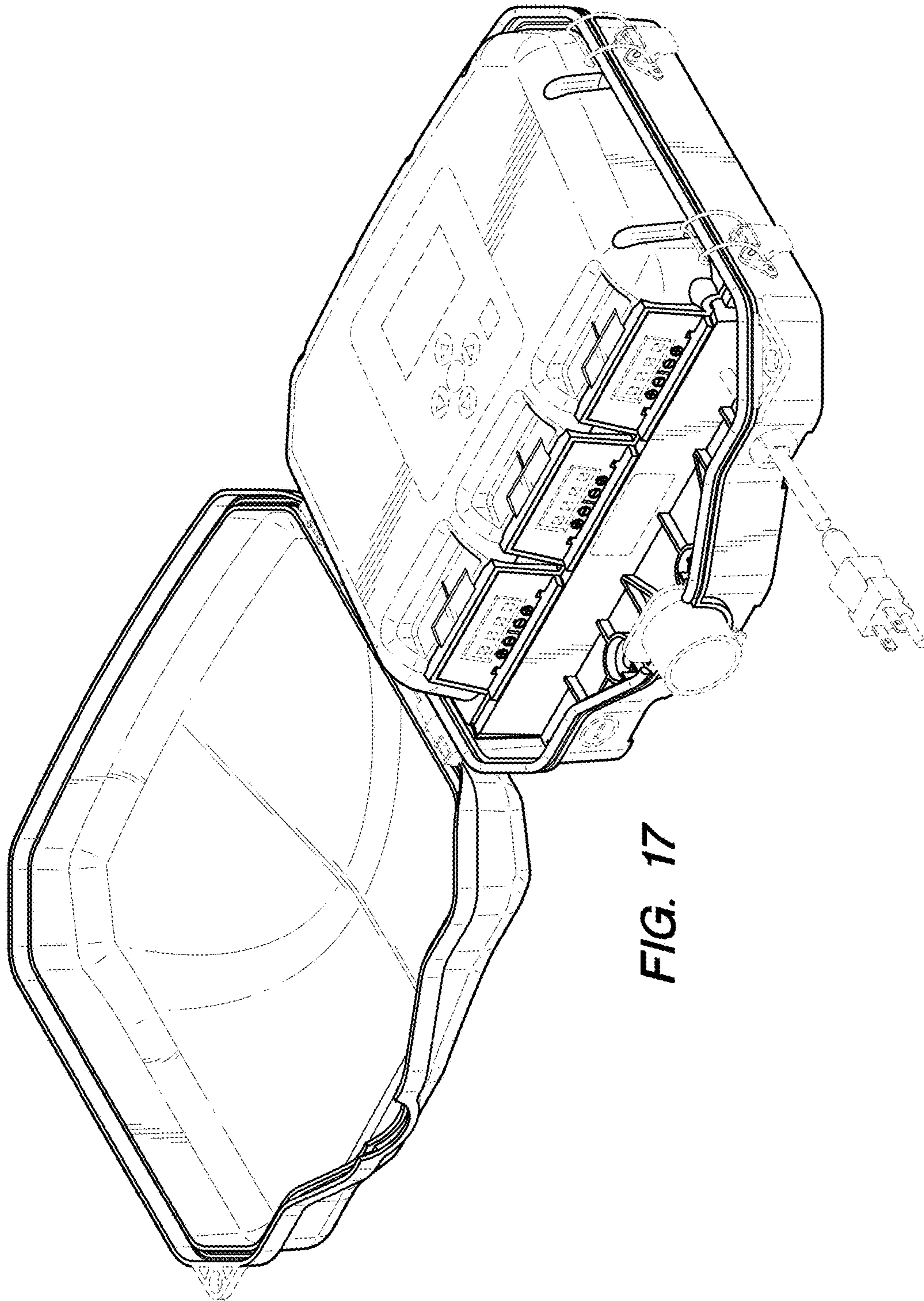


FIG. 17

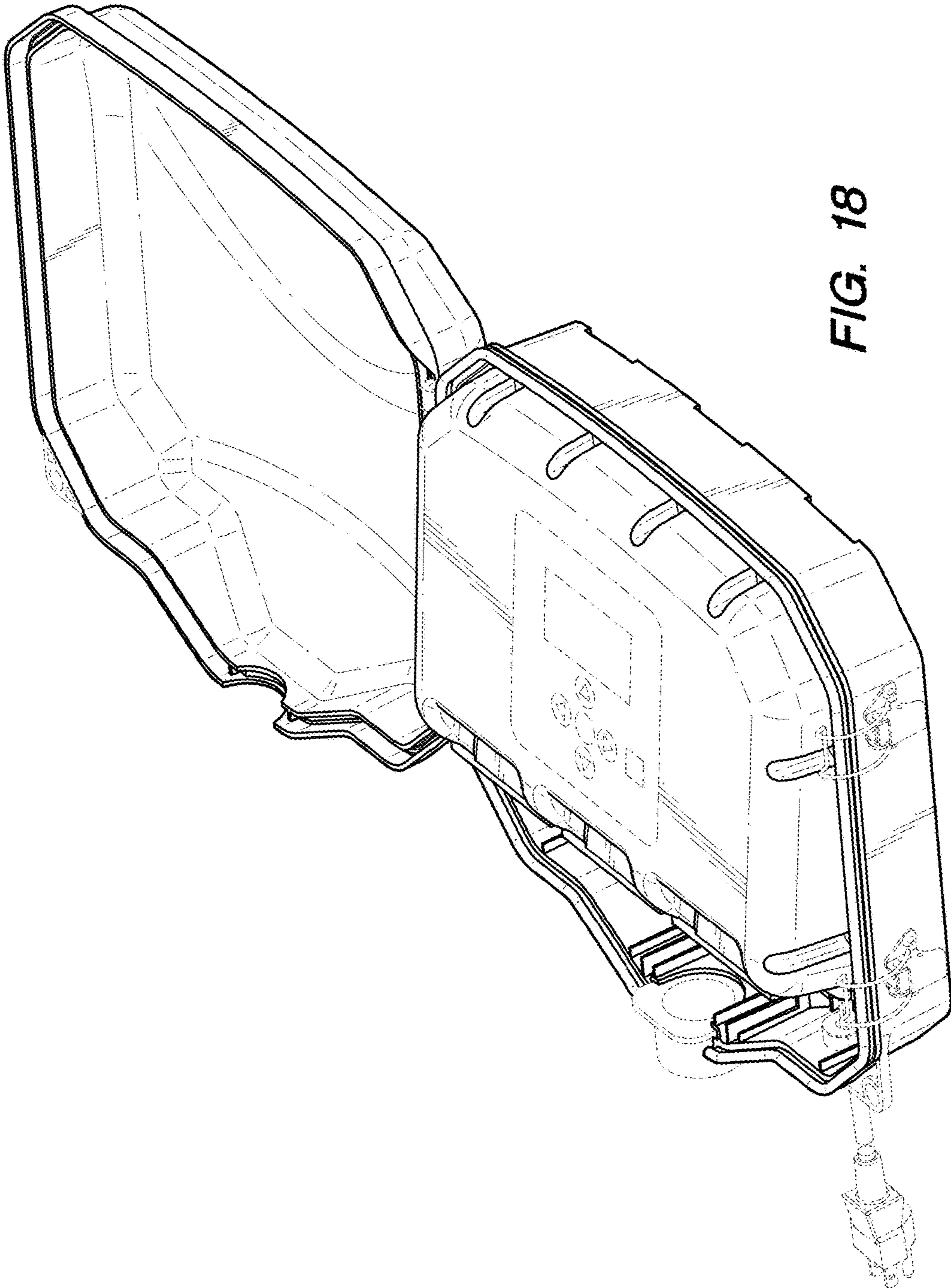


FIG. 18