



US00D832208S

(12) **United States Design Patent** (10) **Patent No.:** **US D832,208 S**  
**Grois** (45) **Date of Patent:** **\*\* Oct. 30, 2018**

(54) **CHARGER BOX**  
(71) Applicant: **Dan Grois**, Beer-Sheva (IL)  
(72) Inventor: **Dan Grois**, Beer-Sheva (IL)  
(\*\*) Term: **15 Years**  
(21) Appl. No.: **29/571,323**

*Primary Examiner* — Rosemary K Tarcza  
*Assistant Examiner* — Alison M Ofstun

(22) Filed: **Jul. 18, 2016**  
(51) **LOC (11) Cl.** ..... **13-02**  
(52) **U.S. Cl.**  
USPC ..... **D13/108**  
(58) **Field of Classification Search**  
USPC ..... D13/102–110, 118–119, 184, 199;  
D14/356, 432  
CPC ..... Y02E 60/10; Y02E 60/12; Y02E 60/122;  
Y02E 60/124; Y02E 60/50; H01M 2/02;  
H01M 2/022; H01M 2/0202; H01M  
2/0207; H01M 2/0212; H01M 2/1061;  
H01M 2/1022; H01M 2/1055; H01M  
2/1066; H01M 2/105; H01M 2/20; H01M  
2/202; H01M 2/204; H01M 2/206; H01M  
10/44; H01M 10/46; H01M 10/465;  
H01M 10/482; H01M 2200/30; H01M  
2250/30; H01M 2250/40; H02J 7/00;  
H02J 7/0003; H02J 7/0011; H02J 7/0013;  
H02J 7/0054; H02J 7/0055; H02J 7/0057;  
H02J 2007/0062

See application file for complete search history.

(56) **References Cited**  
**U.S. PATENT DOCUMENTS**  
D130,347 S 11/1941 Warner  
2,315,647 A 4/1943 Nyden  
(Continued)

**OTHER PUBLICATIONS**

NativeLOOK Smart Jewelry, NativeLOOK, published on Oct. 15, 2016 on youtube.com, retrieved on May 4, 2017, retrieved from the Internet: URL<<https://www.youtube.com/watch?v=W-z0LZIE4T4>.\*

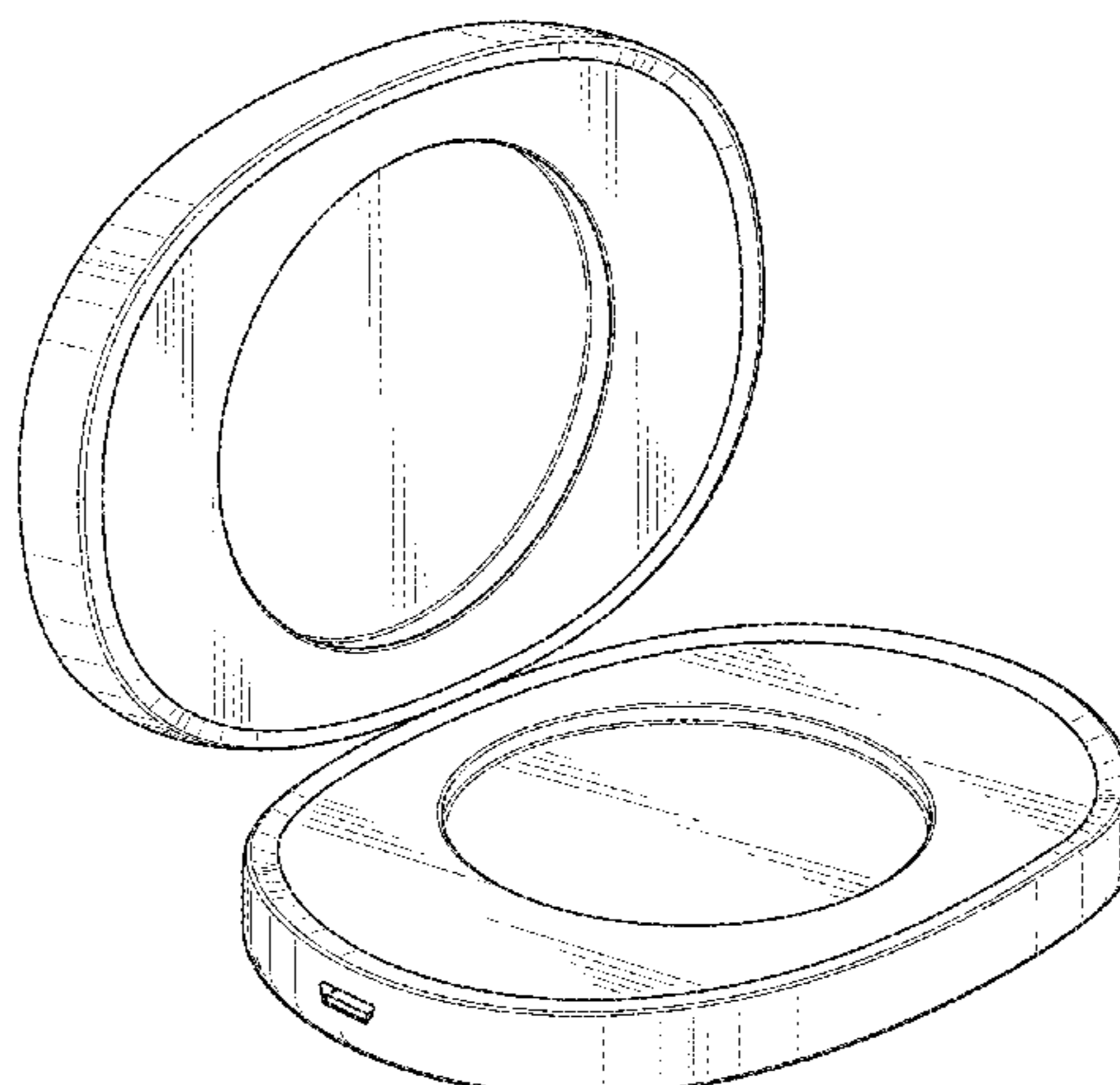
(57) **CLAIM**

The ornamental design for a charger box, as shown and described.

**DESCRIPTION**

FIG. 1 is a front perspective view of a charger box in an open position, showing our new design;  
FIG. 2 is a front view thereof;  
FIG. 3 is a rear view thereof;  
FIG. 4 is a left-side view thereof;  
FIG. 5 is a right-side view thereof;  
FIG. 6 is a top view thereof;  
FIG. 7 is a bottom view thereof;  
FIG. 8 is a front perspective view thereof, shown in a closed position;  
FIG. 9 is a front view of FIG. 8 thereof;  
FIG. 10 is a rear view of FIG. 8 thereof;  
FIG. 11 is a left-side view of FIG. 8 thereof;  
FIG. 12 is a right-side view of FIG. 8 thereof;  
FIG. 13 is a top view of FIG. 8 thereof;  
FIG. 14 is a bottom view of FIG. 8 thereof;  
FIG. 15 is a front perspective view of a second embodiment of a charger box, shown in an open position;  
FIG. 16 is a front view of FIG. 15 thereof;  
FIG. 17 is a rear view of FIG. 15 thereof;  
FIG. 18 is a left-side view of FIG. 15 thereof;  
FIG. 19 is a right-side view of FIG. 15 thereof;  
FIG. 20 is a top view of FIG. 15 thereof;  
FIG. 21 is a bottom view of FIG. 15 thereof;  
FIG. 22 is a front perspective view thereof, shown in a closed position;  
FIG. 23 is a front view of FIG. 22 thereof;  
FIG. 24 is a rear view of FIG. 22 thereof;  
FIG. 25 is a left-side view of FIG. 22 thereof;  
FIG. 26 is a right-side view of FIG. 22 thereof;  
FIG. 27 is a top view of FIG. 22 thereof; and,  
FIG. 28 is a bottom view of FIG. 22 thereof.

**1 Claim, 28 Drawing Sheets**



(56)

References Cited

U.S. PATENT DOCUMENTS

D238,310 S 12/1975 Kingford  
 D258,575 S 3/1981 Stettler  
 D331,818 S 12/1992 Holahan  
 D339,882 S \* 9/1993 Chevassus ..... D28/82  
 D352,899 S 11/1994 Molo  
 D381,124 S 7/1997 Blachut  
 D383,620 S 9/1997 Smith  
 D392,773 S 3/1998 Litton  
 D396,004 S 7/1998 Srinual  
 D398,079 S 9/1998 Denison  
 D426,772 S 6/2000 Kahl  
 D430,444 S 9/2000 Allsop  
 6,129,089 A 10/2000 Yuhara  
 D439,376 S 3/2001 Lerolle  
 D444,984 S 6/2001 Myszka  
 D472,803 S 4/2003 Saunders  
 D473,344 S 4/2003 Thorpe  
 D473,345 S 4/2003 Thorpe  
 D476,572 S 7/2003 Merritt  
 D484,278 S 12/2003 Prince  
 D488,020 S 4/2004 Fung  
 D496,759 S 9/2004 Rodriguez  
 D498,024 S 11/2004 Leppla  
 D503,831 S 6/2005 Ames  
 D510,022 S 9/2005 Au  
 D515,414 S 2/2006 Au  
 D523,176 S 6/2006 Koga  
 D523,177 S 6/2006 Ashiwa  
 D530,860 S 10/2006 Funkhouser  
 D533,781 S 12/2006 Freisem  
 D535,442 S \* 1/2007 Ditrichstein ..... D28/78  
 7,314,051 B2 1/2008 Yuhara  
 D576,875 S 9/2008 Steiger

D582,100 S 12/2008 Jackel  
 D609,082 S 2/2010 Camisasca  
 D623,060 S 9/2010 Hassamanci  
 D628,893 S 12/2010 Groubert  
 D630,505 S 1/2011 Westemeyer  
 D641,106 S \* 7/2011 Williams ..... D28/82  
 D654,788 S \* 2/2012 Bougoulas ..... D9/424  
 D673,848 S 1/2013 Bailey  
 D705,531 S 5/2014 Johnson  
 D708,940 S 7/2014 Juna  
 D711,746 S 8/2014 Humm  
 8,910,781 B2 12/2014 Pipes  
 D722,023 S \* 2/2015 Brunner ..... D13/110  
 D722,502 S \* 2/2015 Landrum ..... D9/449  
 D725,464 S 3/2015 Sawicki  
 D738,110 S 9/2015 Jiang  
 D738,572 S 9/2015 Kalyanpur  
 D740,692 S \* 10/2015 Christie ..... D9/748  
 D744,698 S 12/2015 Kalyanpur  
 D746,514 S 12/2015 Lambridis  
 D754,402 S \* 4/2016 Kalyanpur ..... D28/84  
 D759,896 S \* 6/2016 Wawoe ..... D28/78  
 D759,897 S 6/2016 Eberlein  
 9,375,071 B1 \* 6/2016 Wang ..... A45D 40/221  
 D763,074 S 8/2016 Neitzel  
 D767,986 S 10/2016 Epstein  
 D774,697 S \* 12/2016 Praster ..... D28/82  
 D774,894 S \* 12/2016 Larson ..... D9/418  
 D775,959 S \* 1/2017 Owen ..... D28/82  
 D777,984 S \* 1/2017 Son ..... D28/82  
 D782,415 S \* 3/2017 Zhang ..... D13/108  
 D783,403 S \* 4/2017 Sill ..... D9/454  
 D784,259 S \* 4/2017 Huang ..... D13/108  
 2006/0000742 A1 1/2006 Consulich  
 2011/0186579 A1 8/2011 Bailey

\* cited by examiner

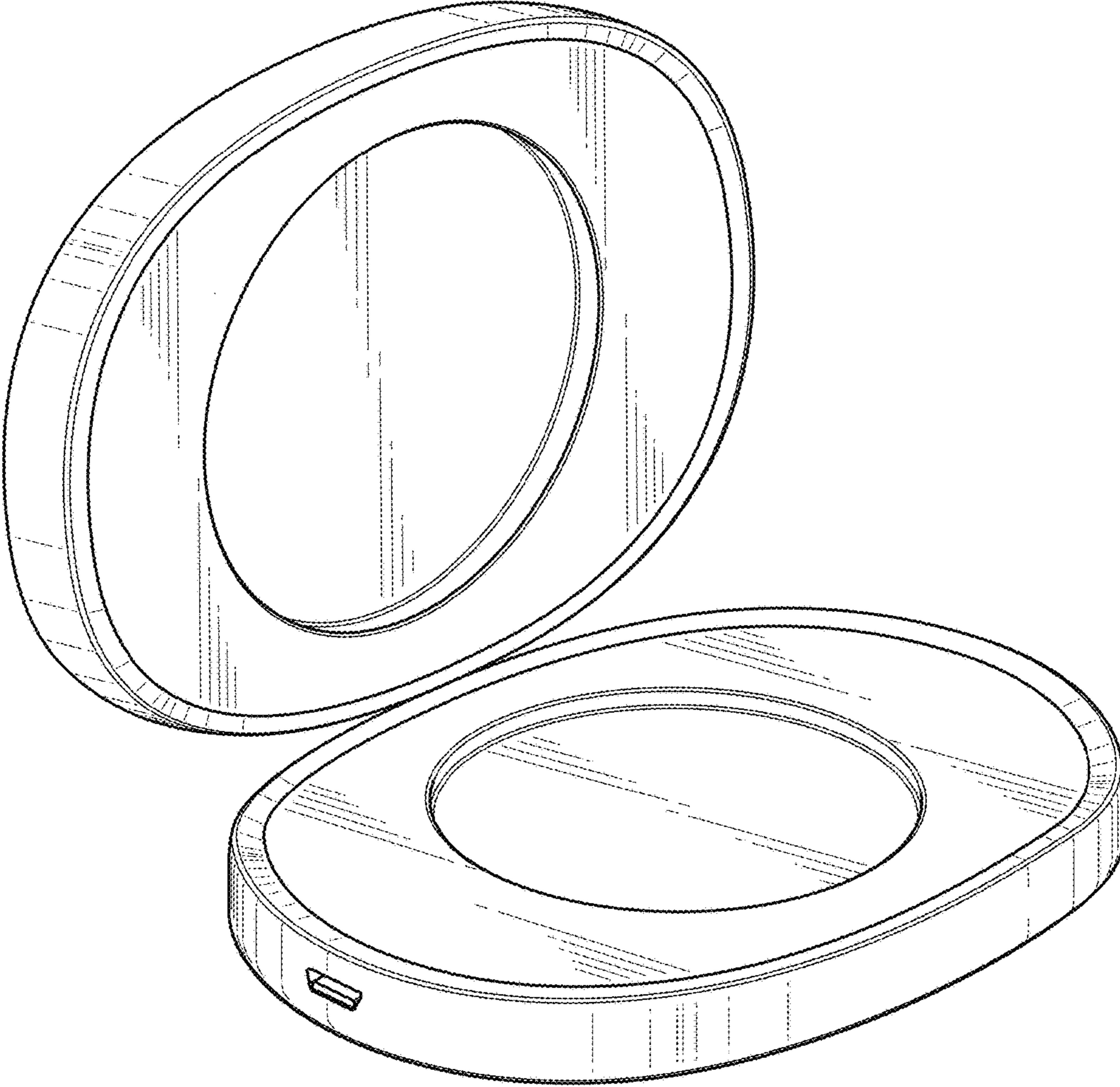


Fig. 1

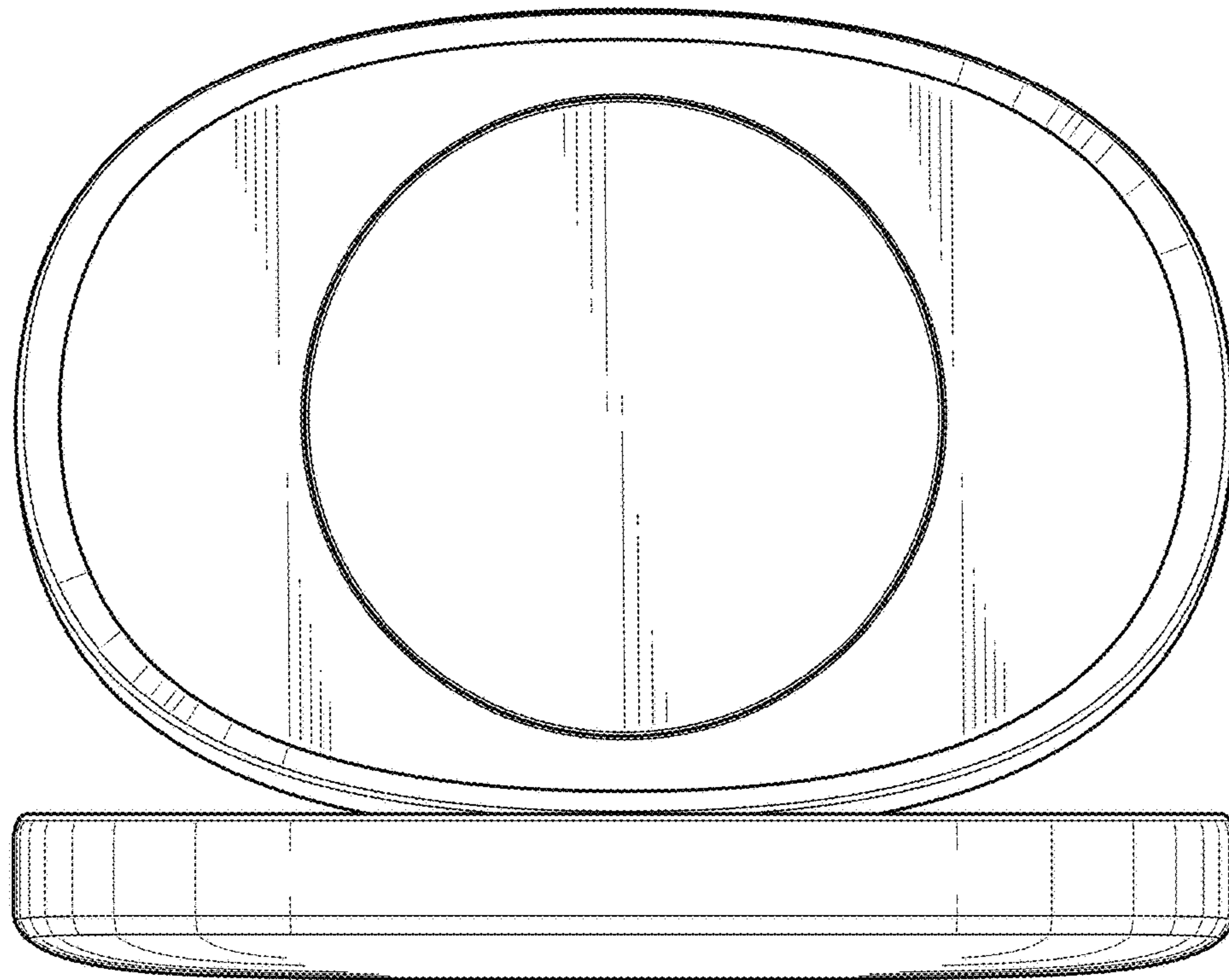


Fig. 2

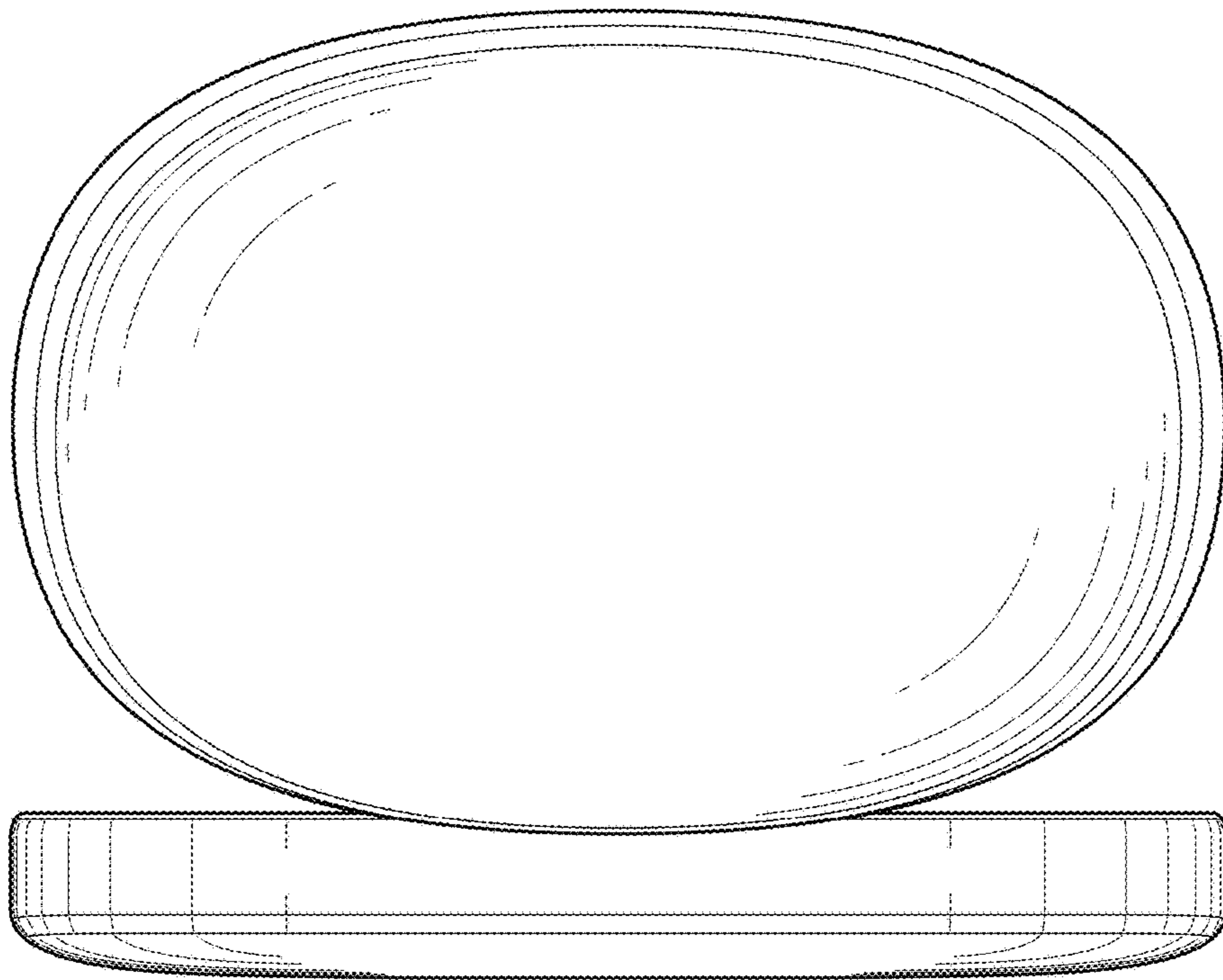


Fig. 3

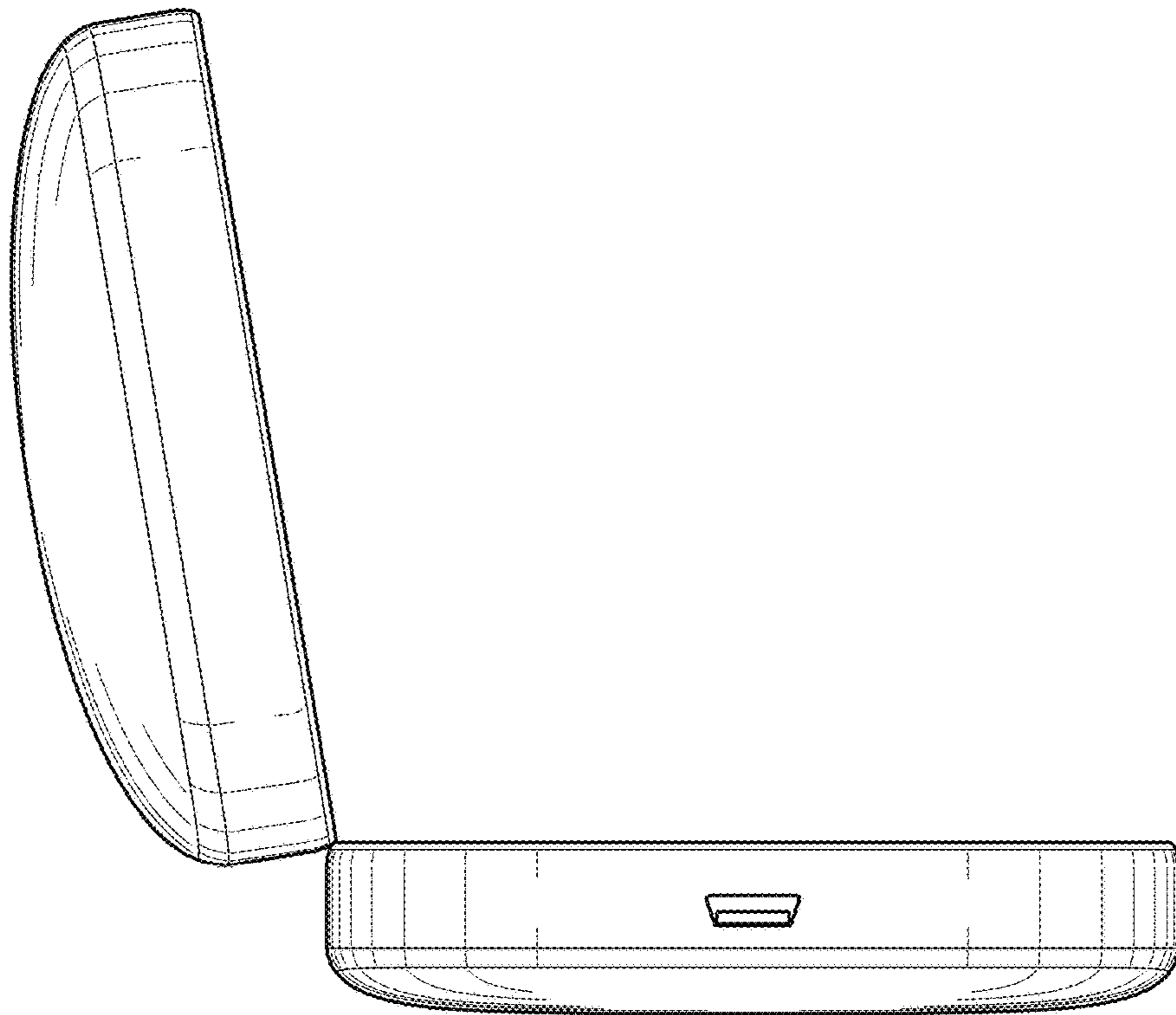


Fig. 4

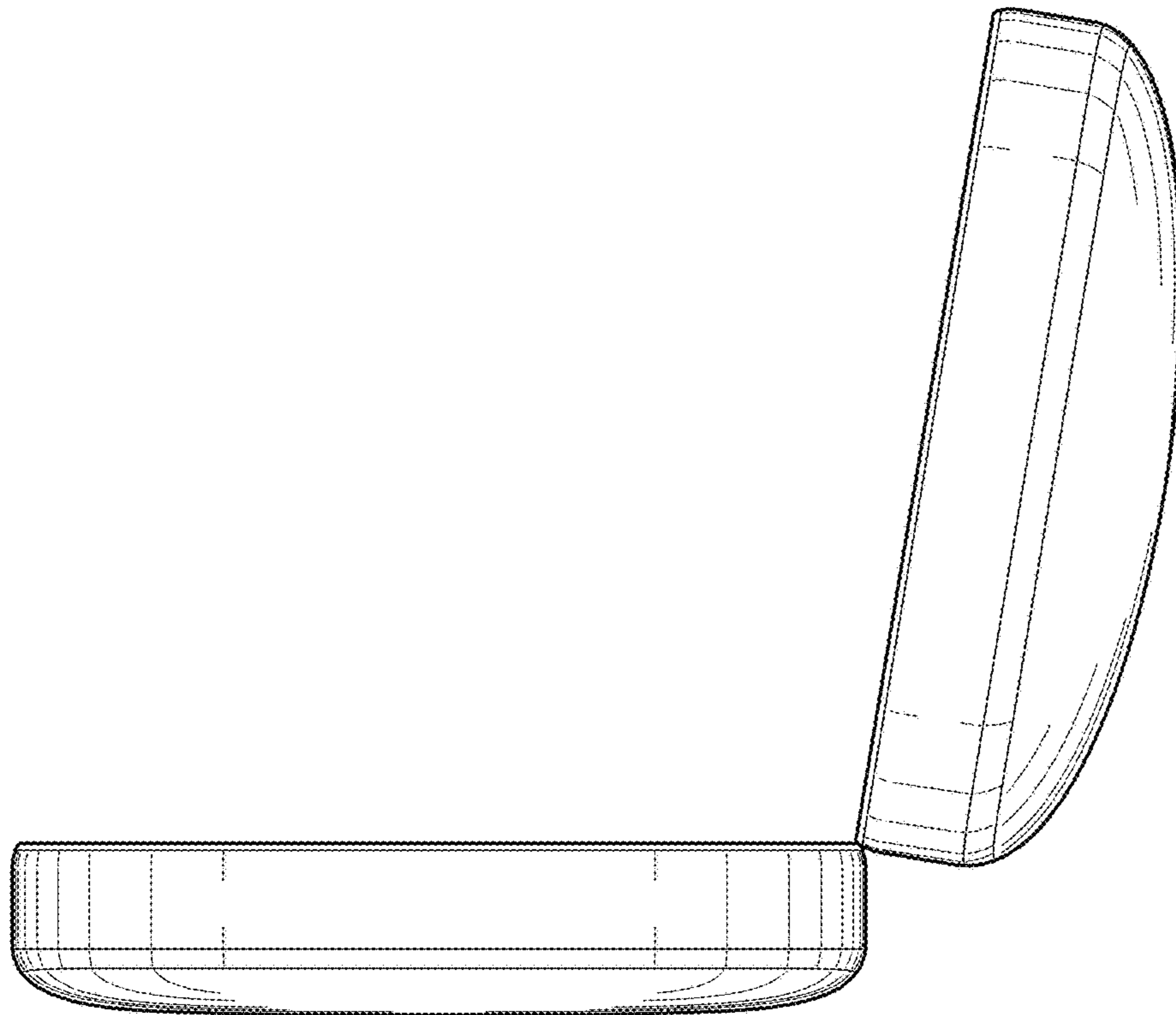


Fig. 5

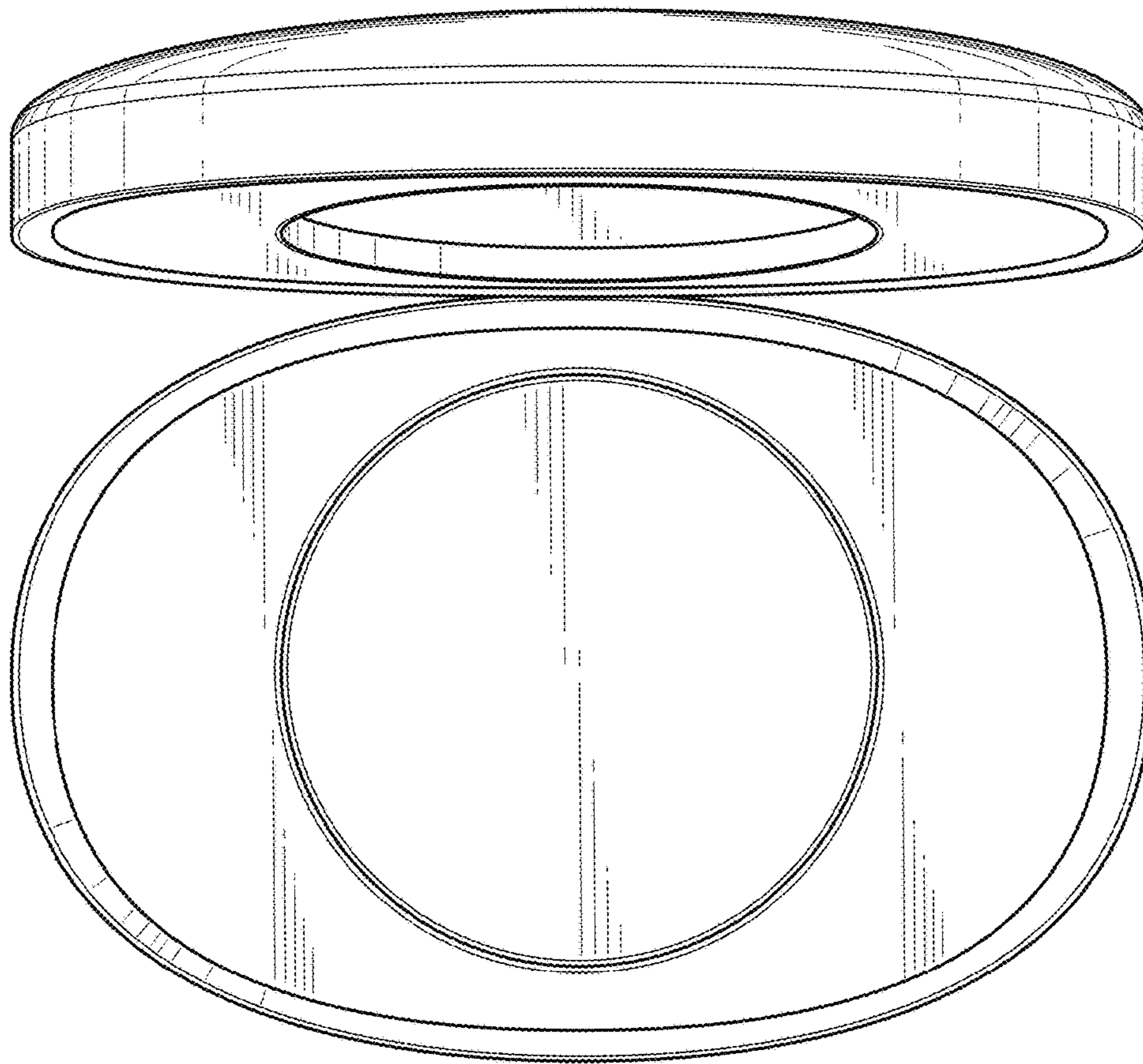


Fig. 6



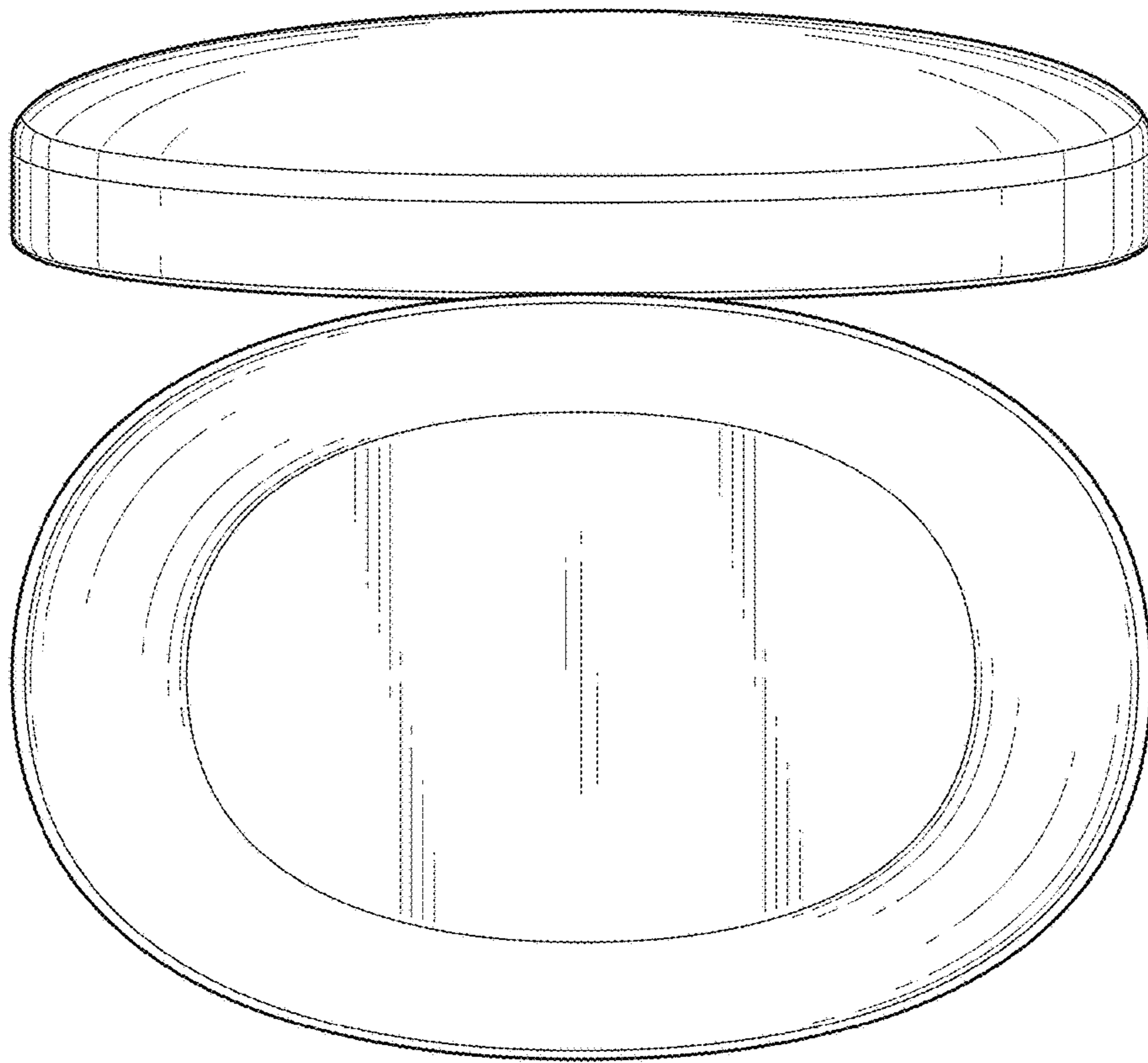


Fig. 7

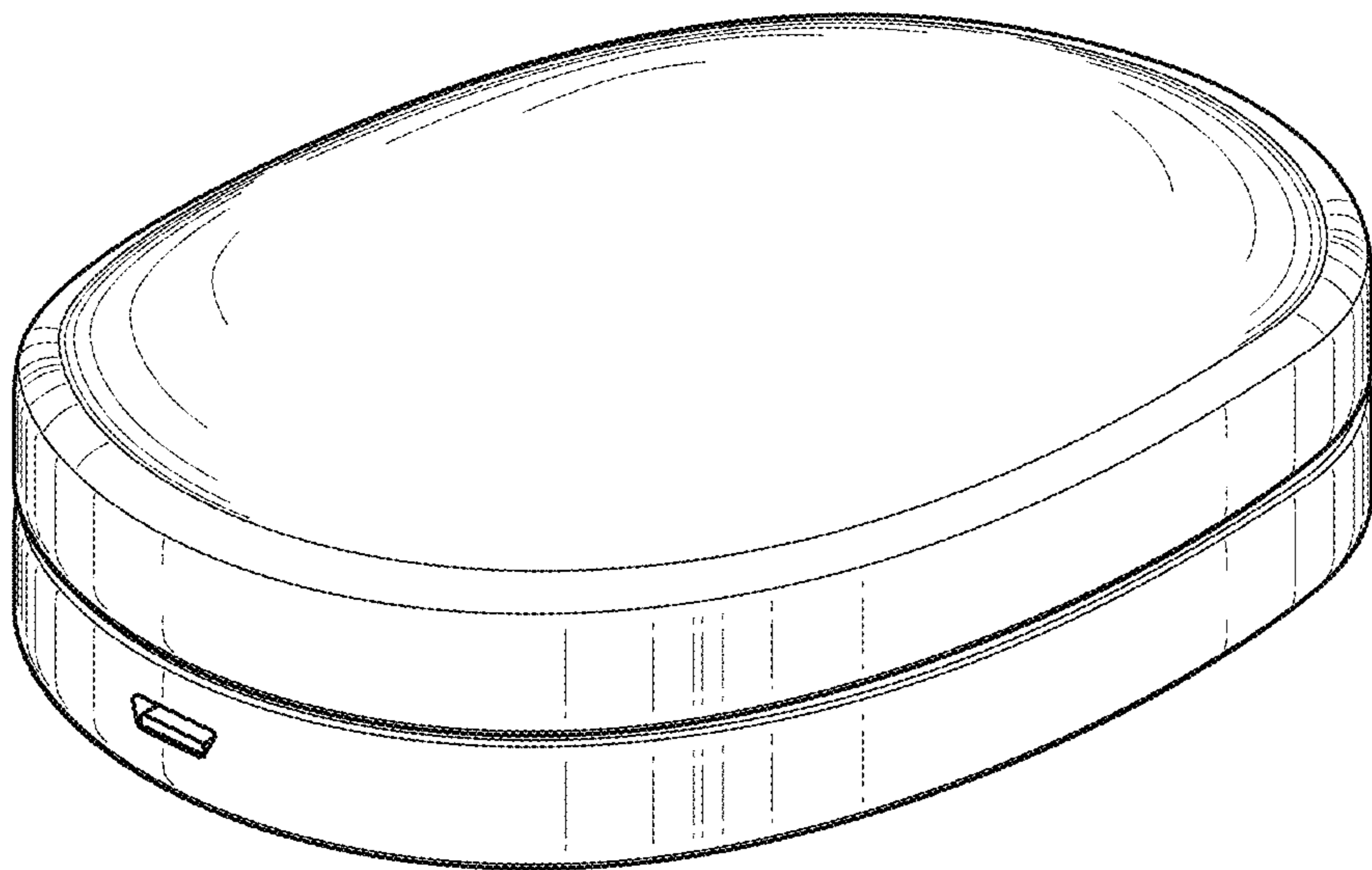


Fig. 8

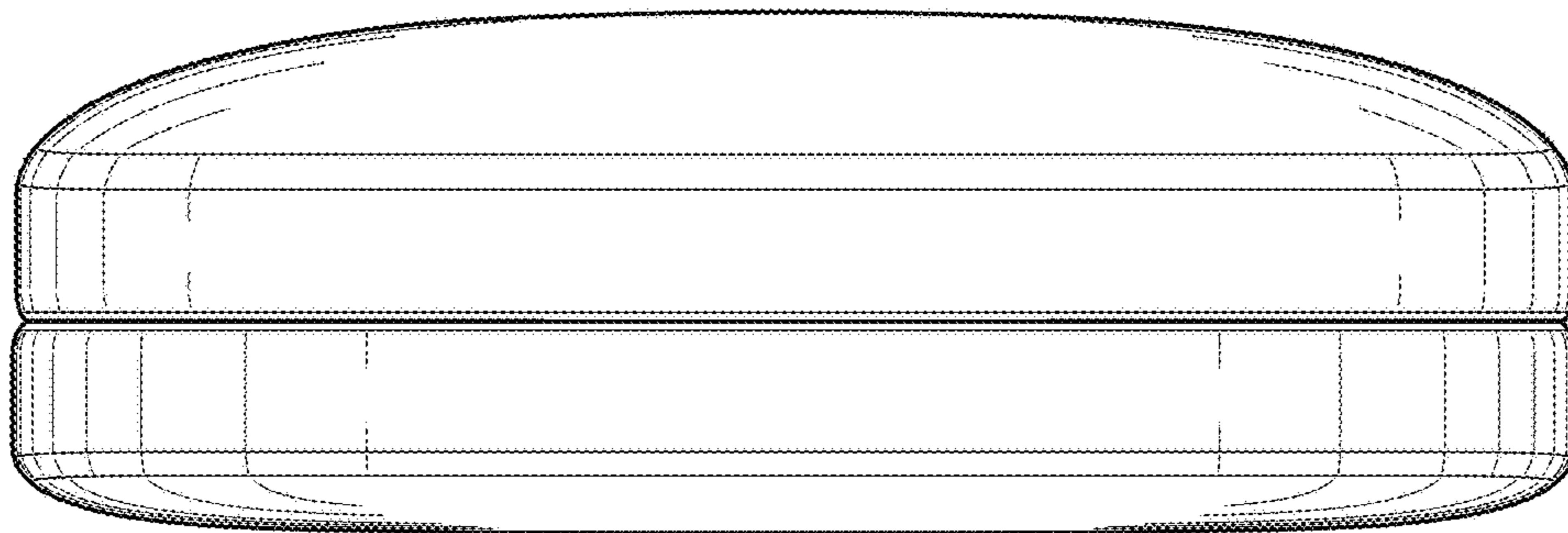


Fig. 9

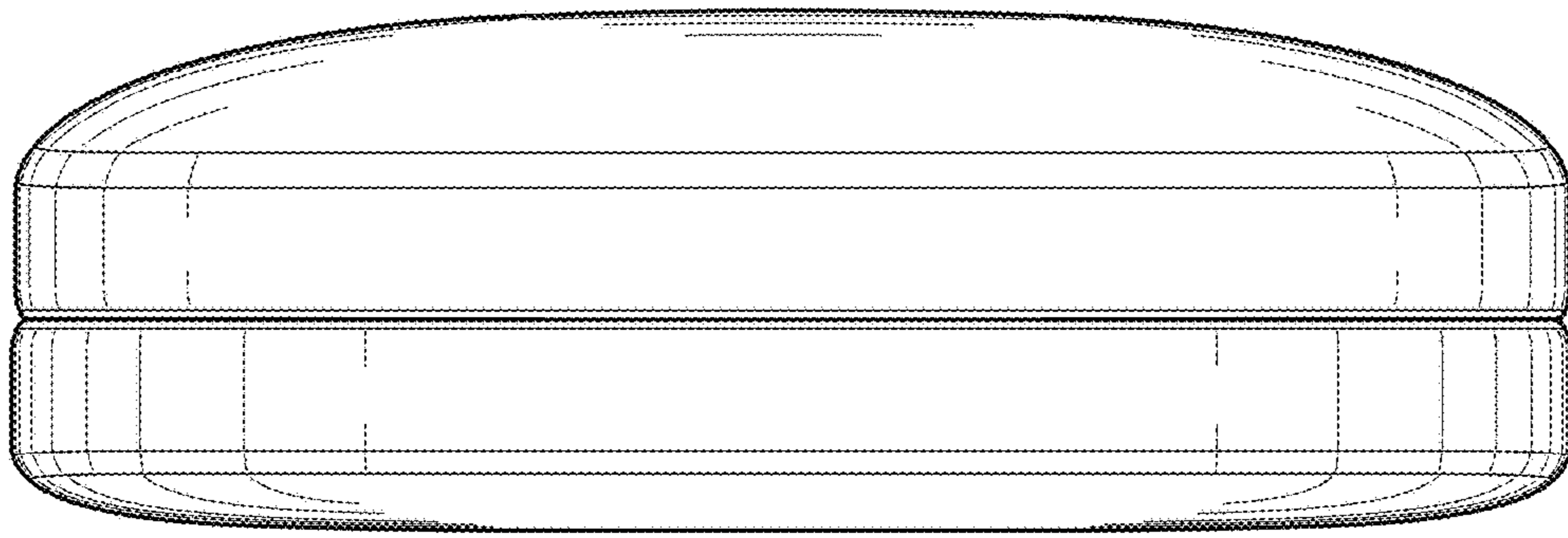


Fig. 10

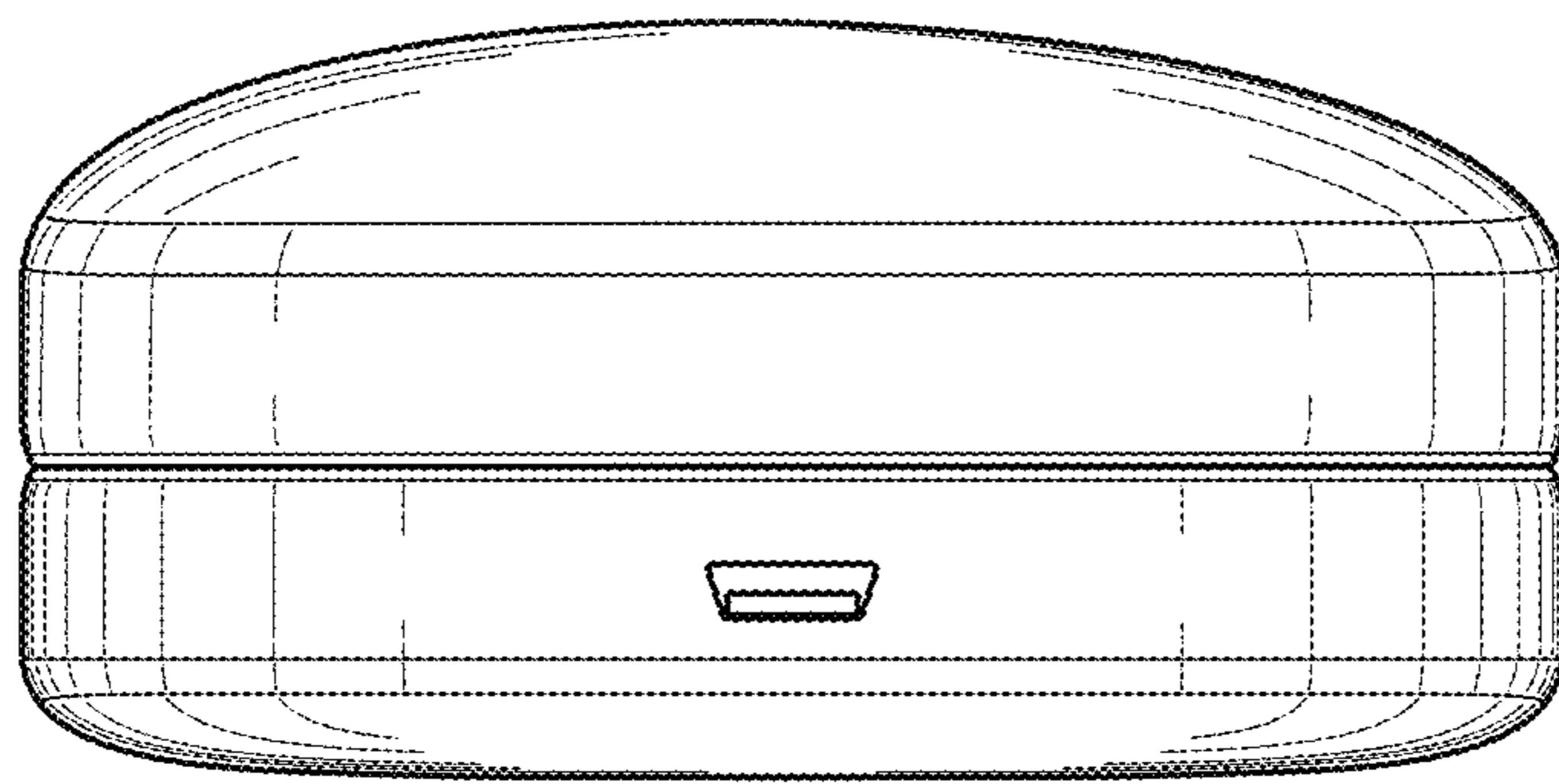


Fig. 11

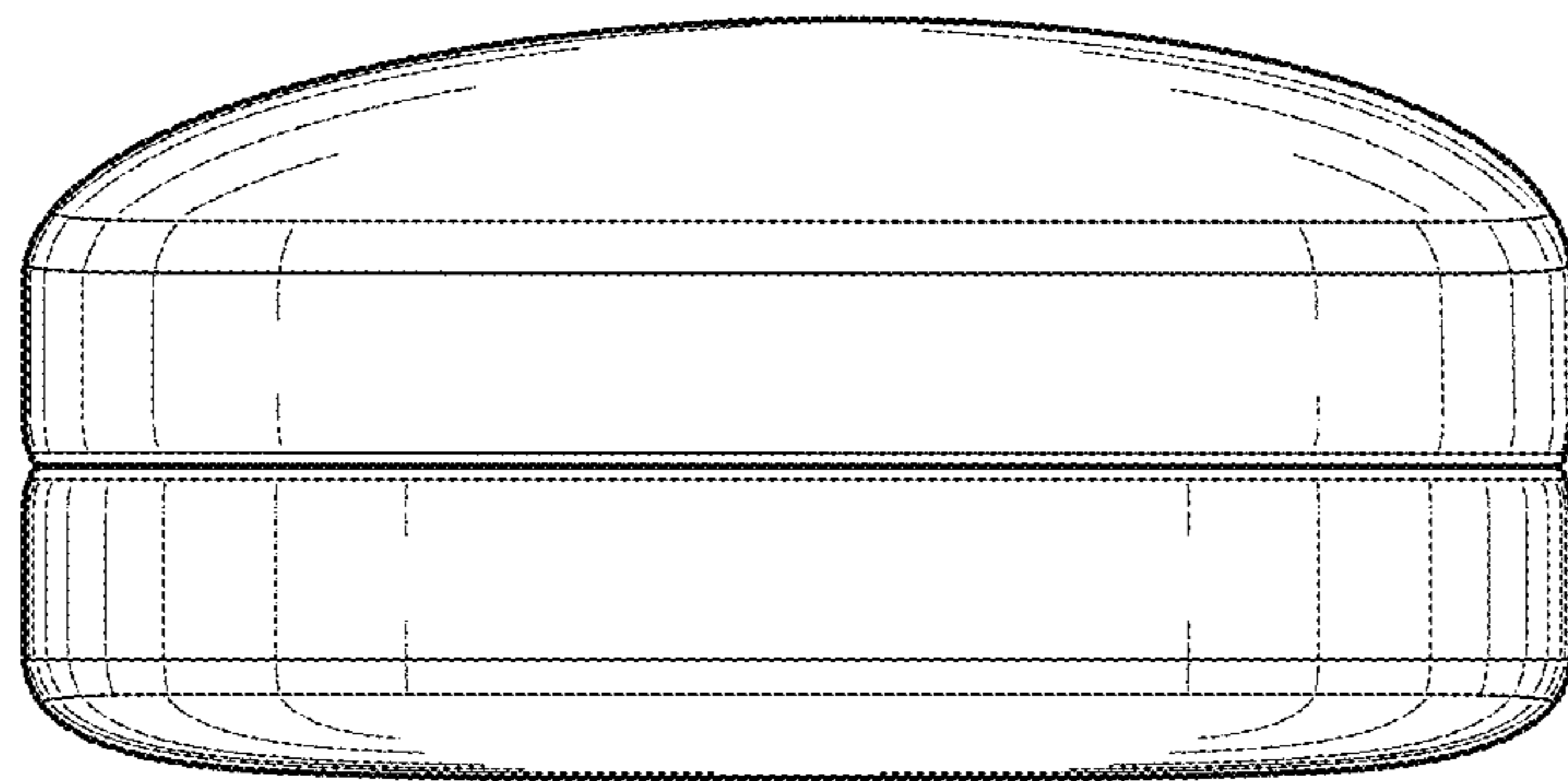


Fig. 12

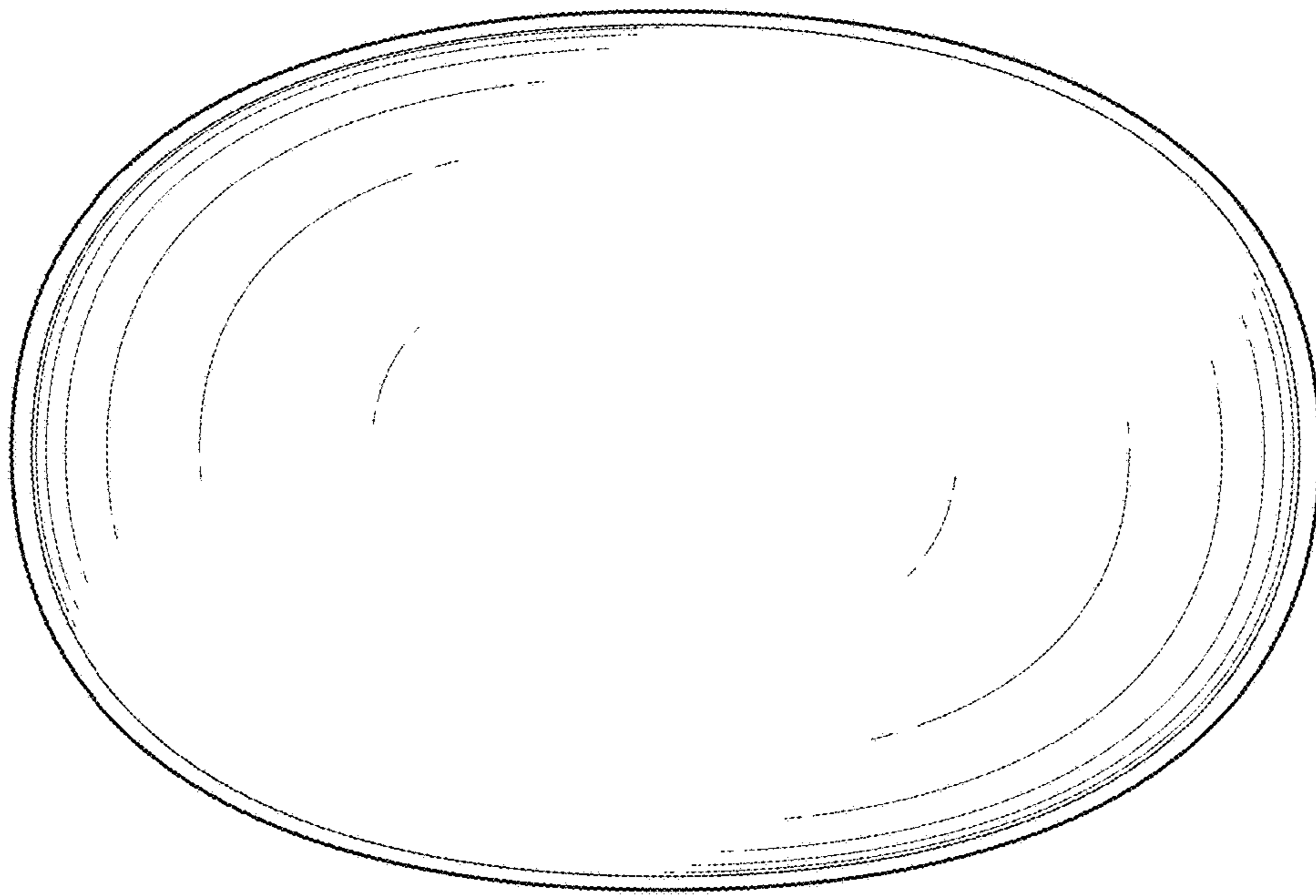


Fig. 13

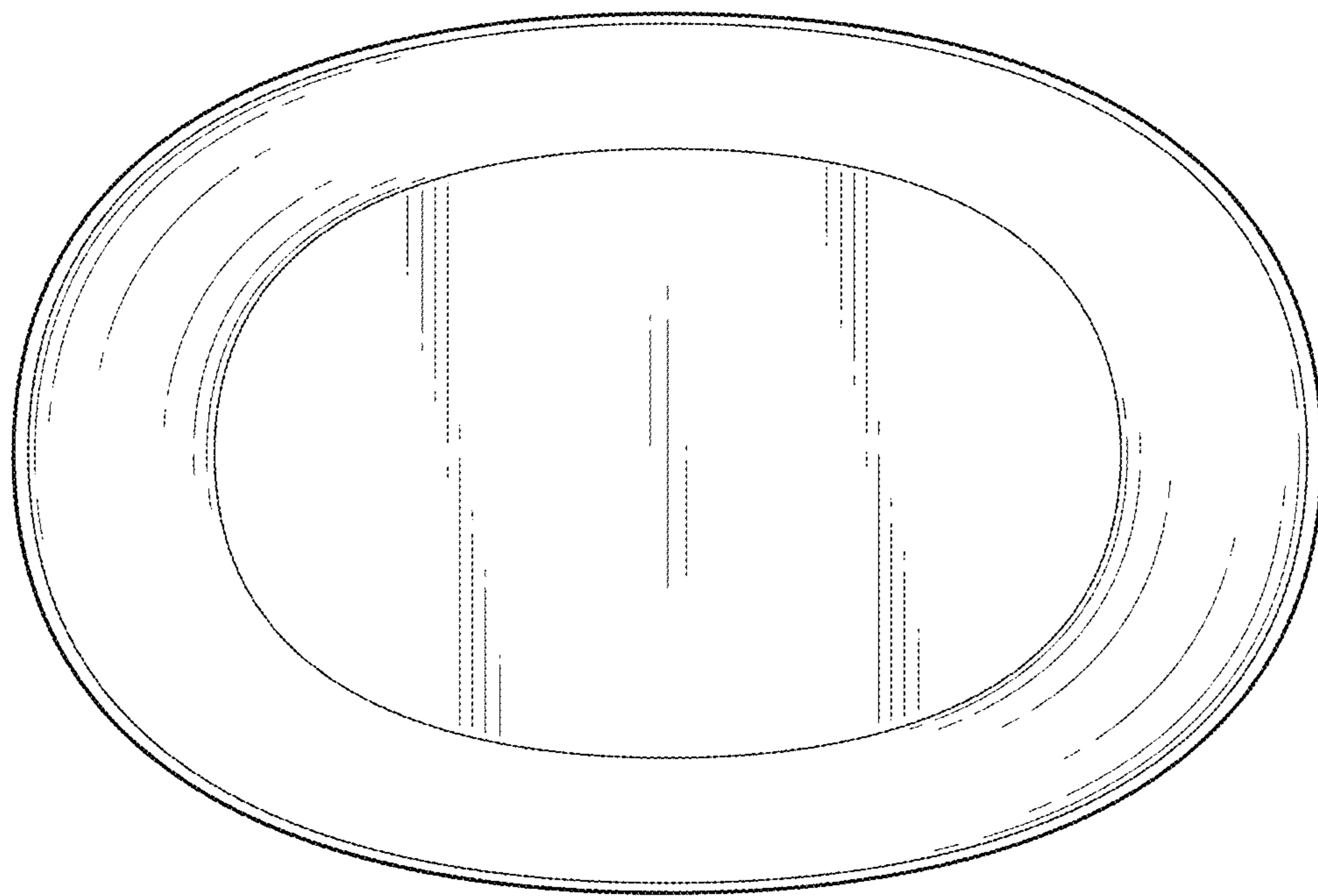


Fig. 14



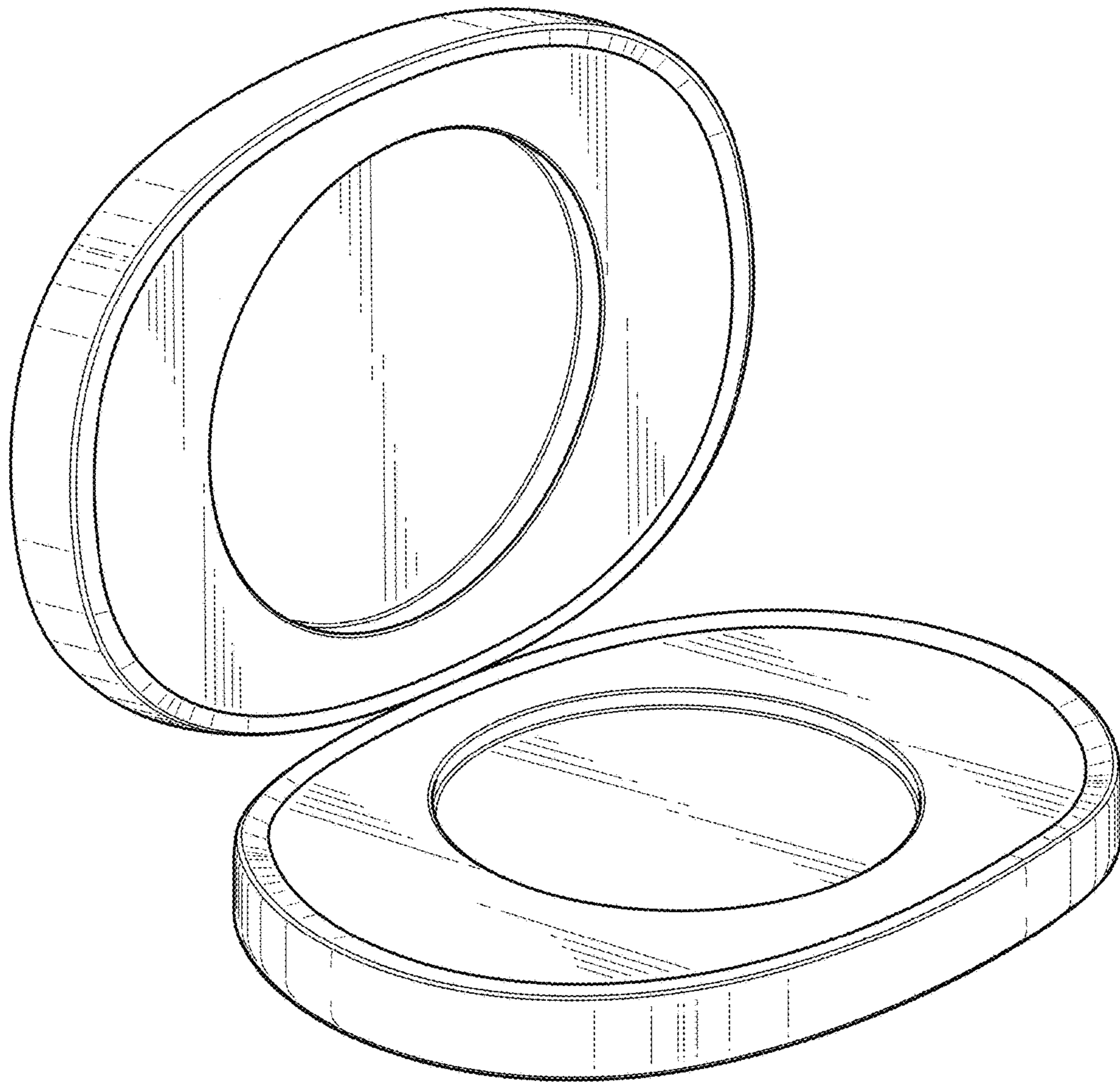


Fig. 15

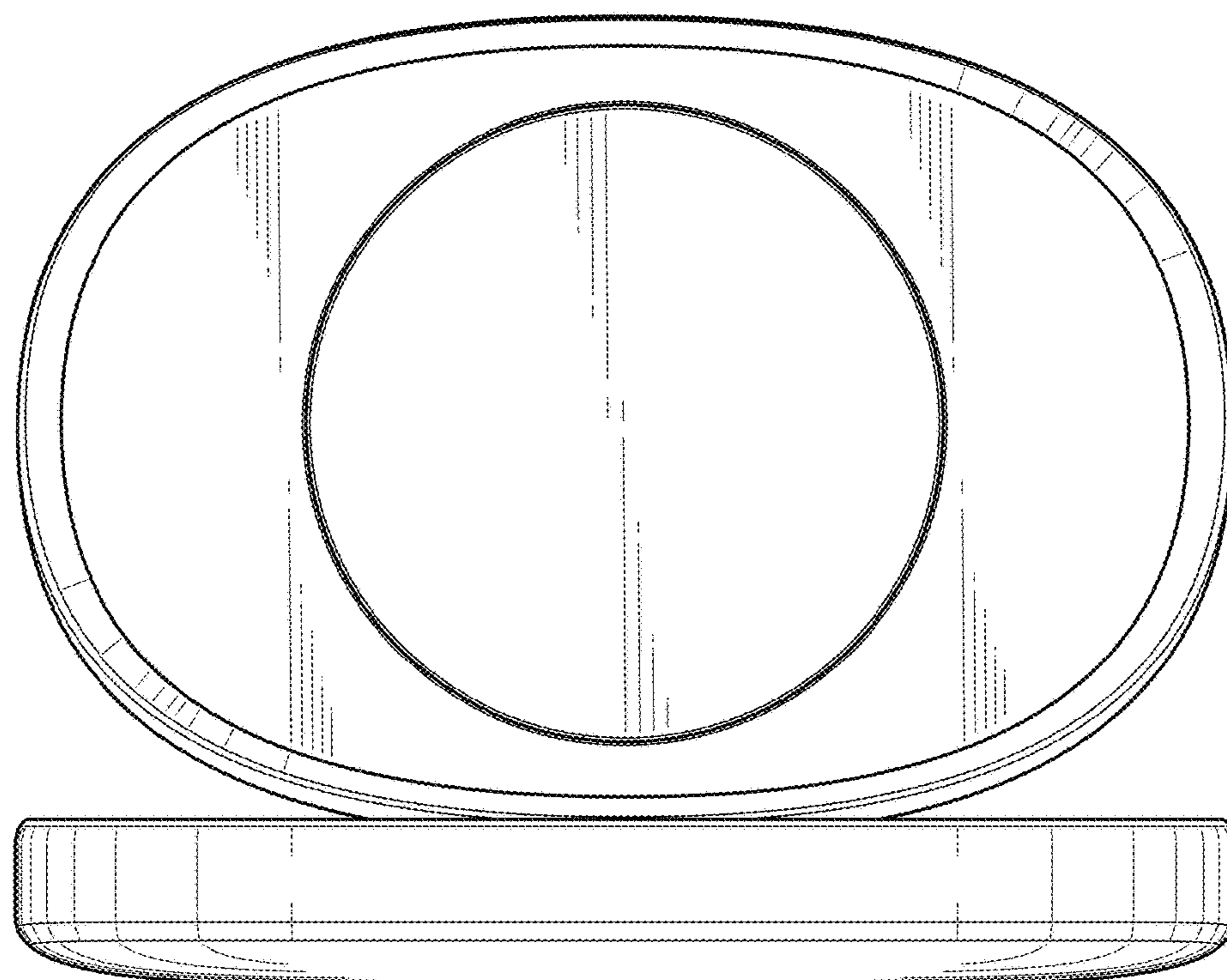


Fig. 16

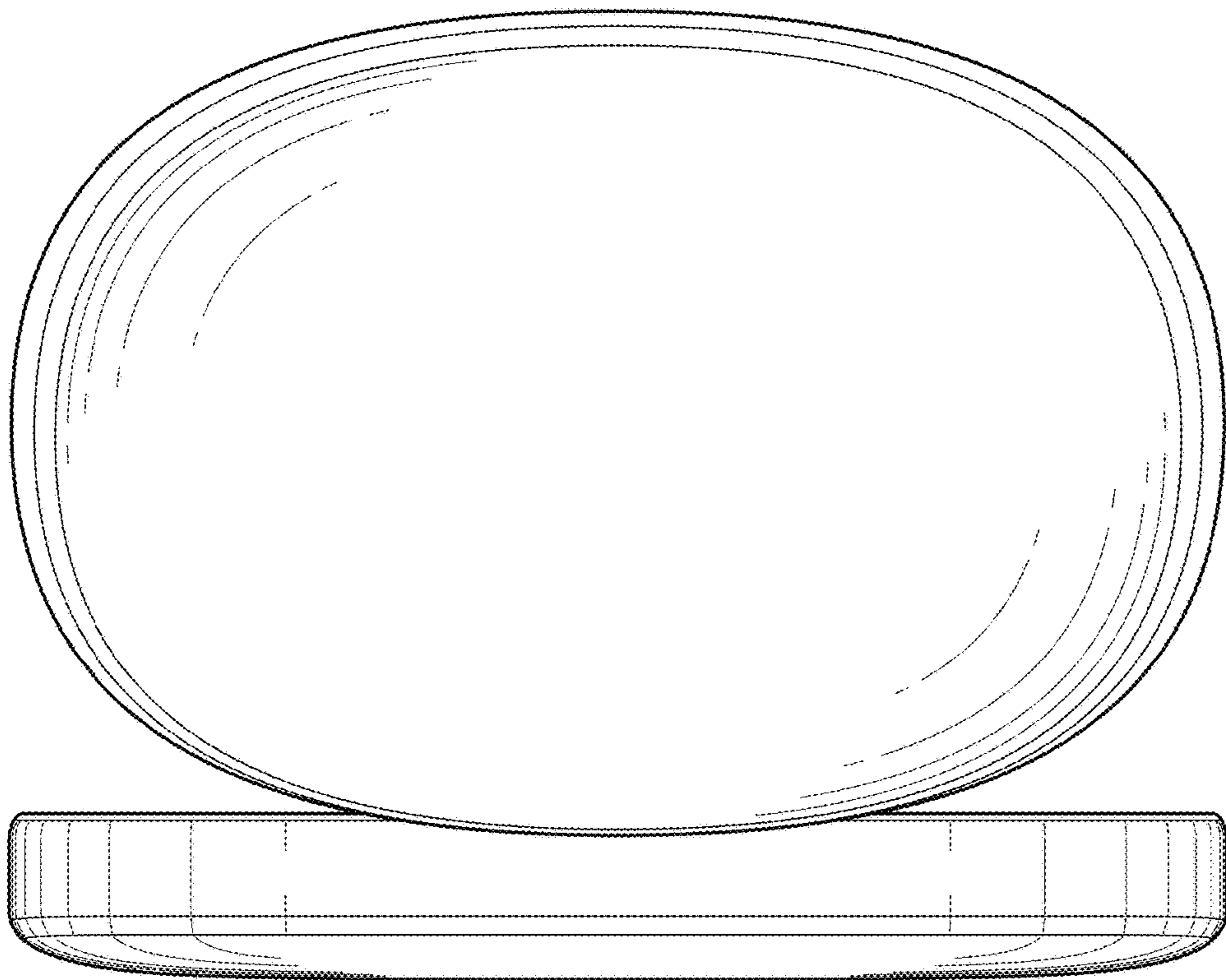


Fig. 17

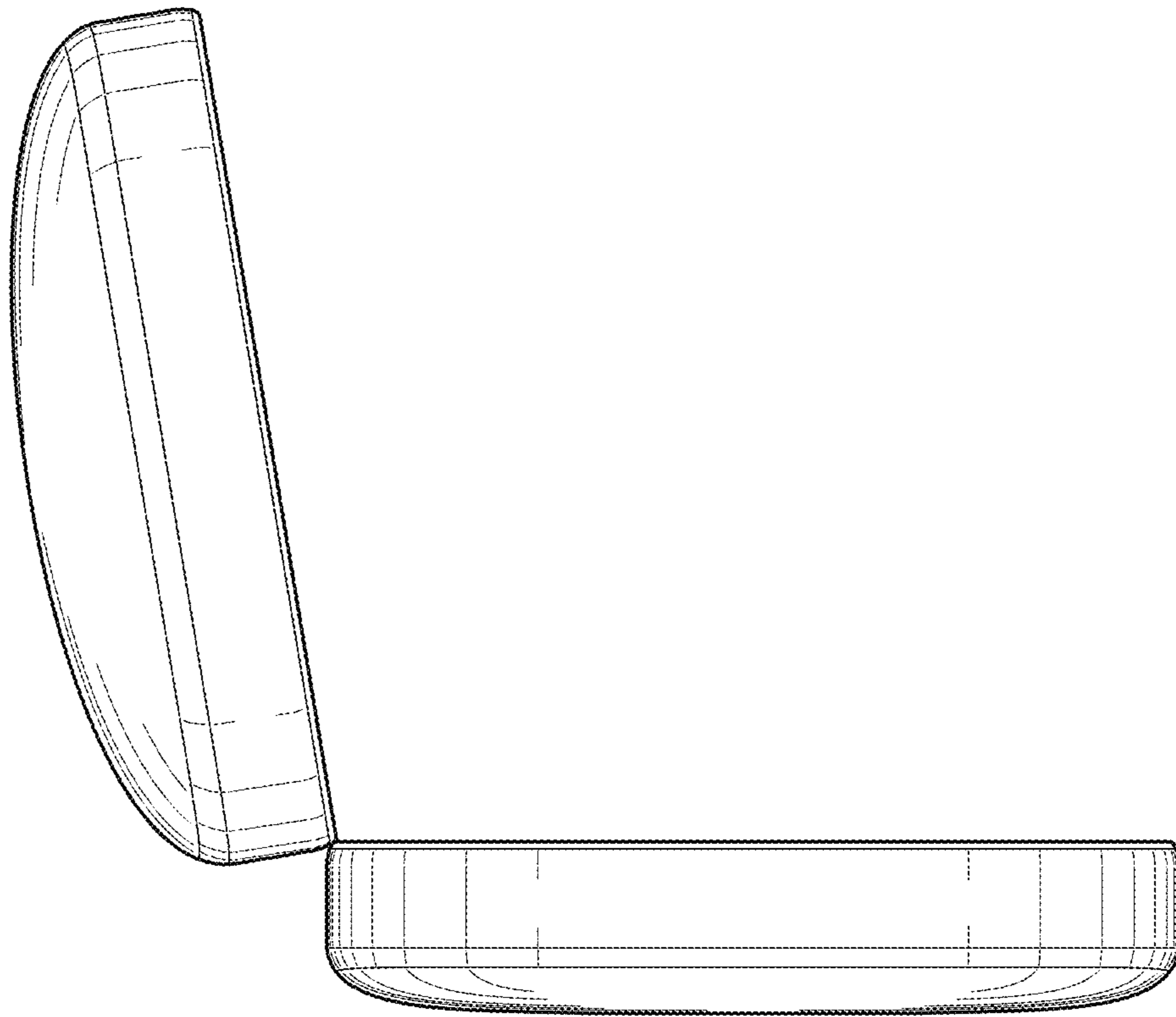


Fig. 18

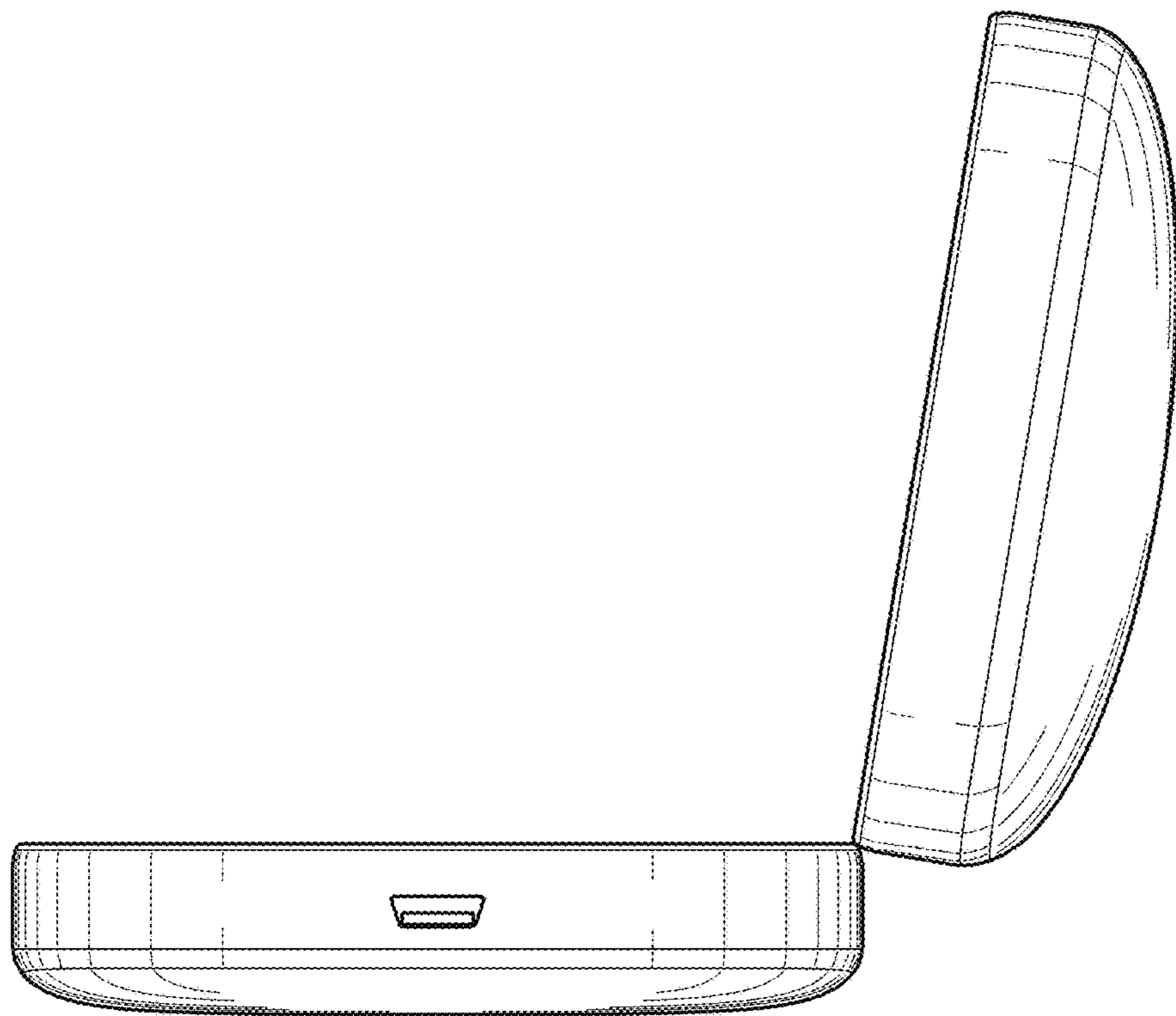


Fig. 19

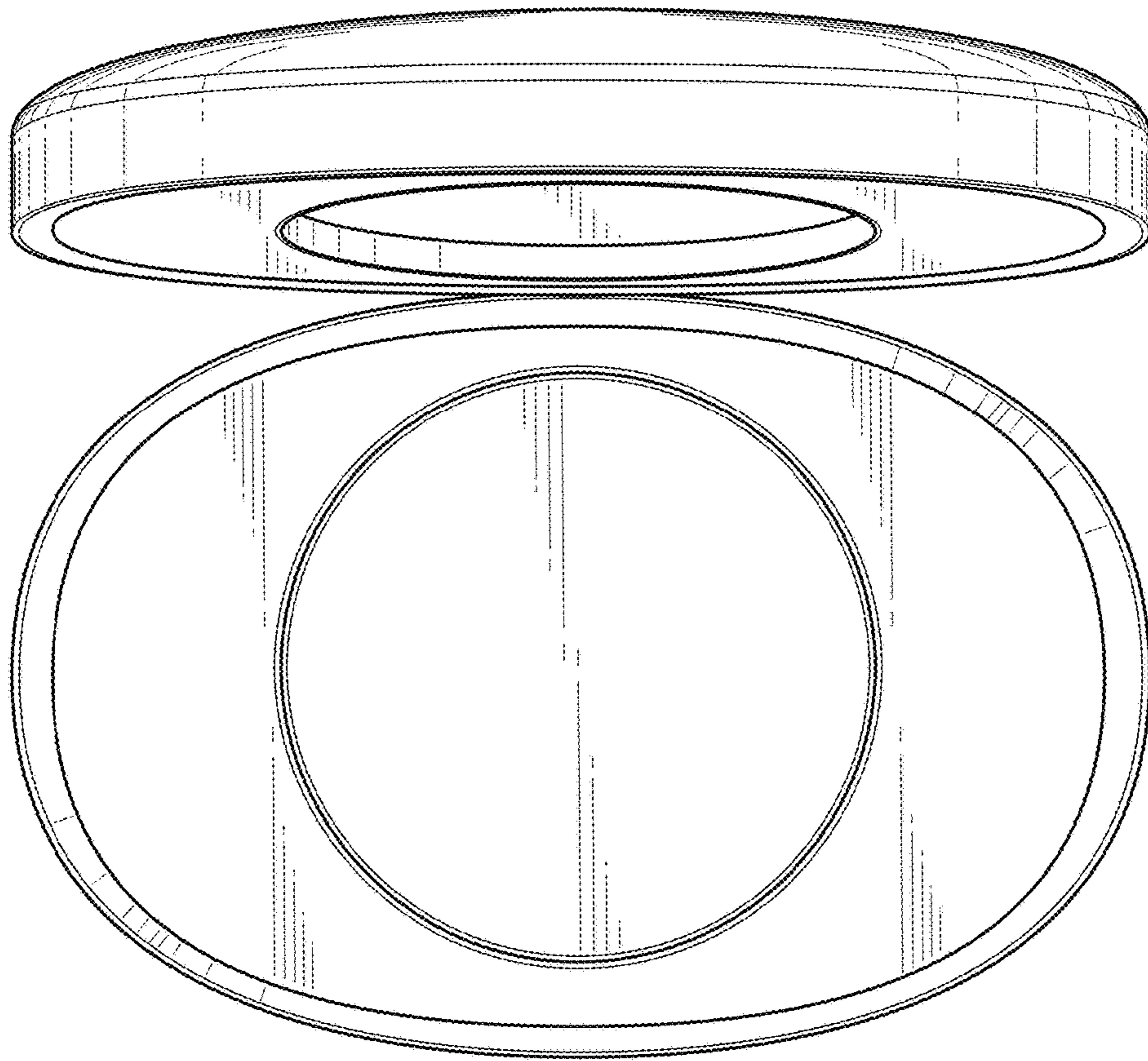


Fig. 20

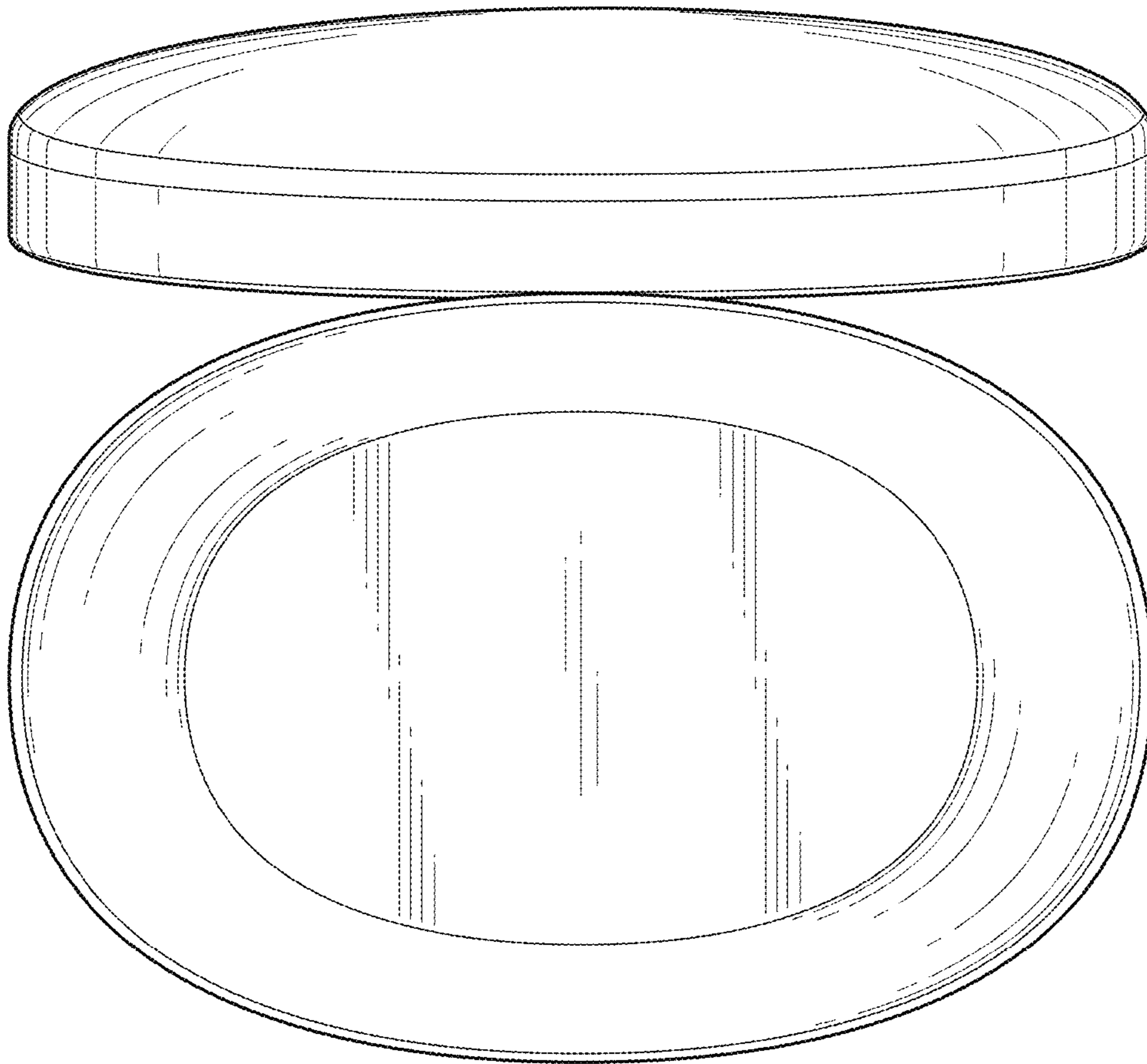


Fig. 21

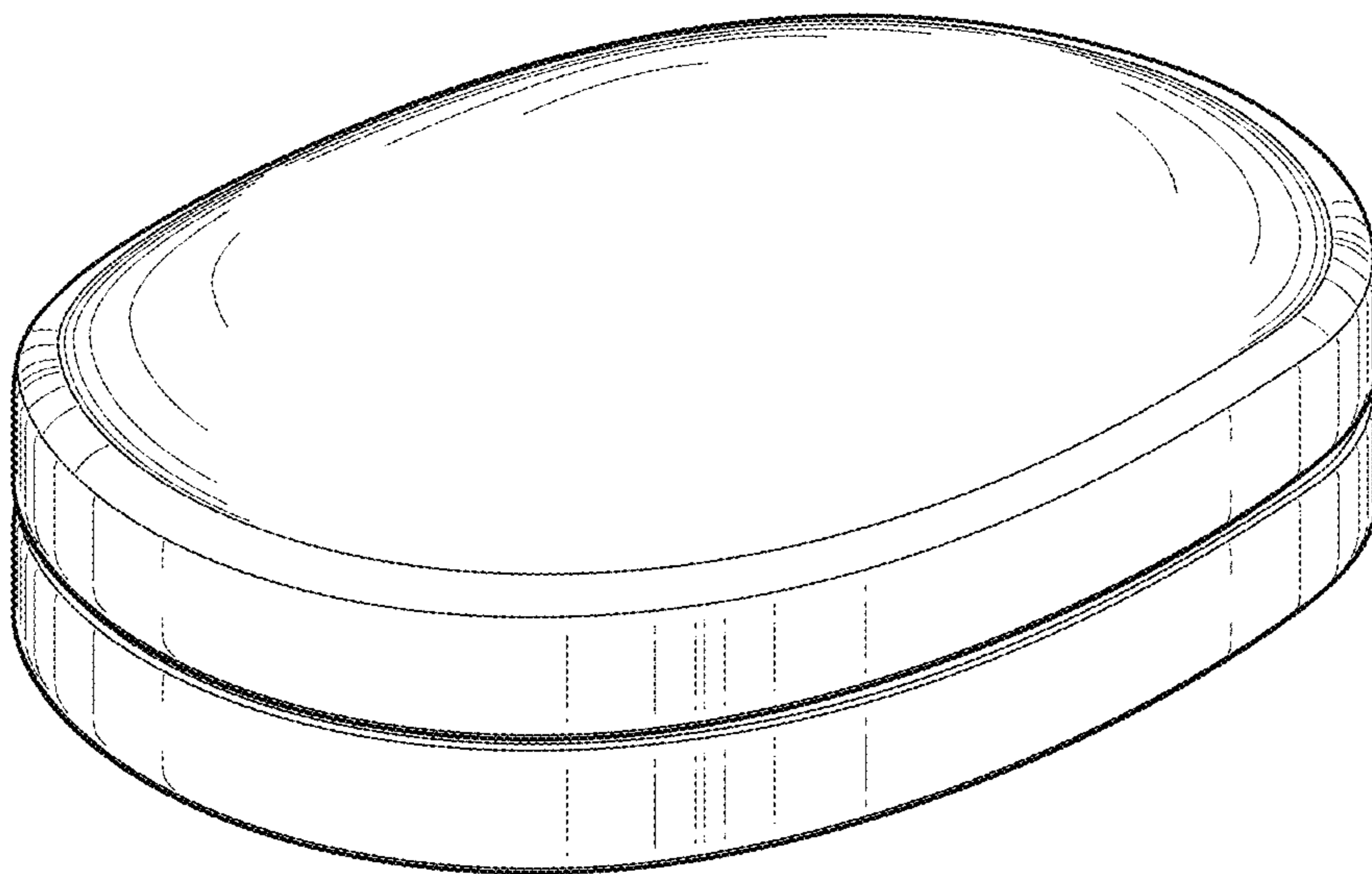


Fig. 22



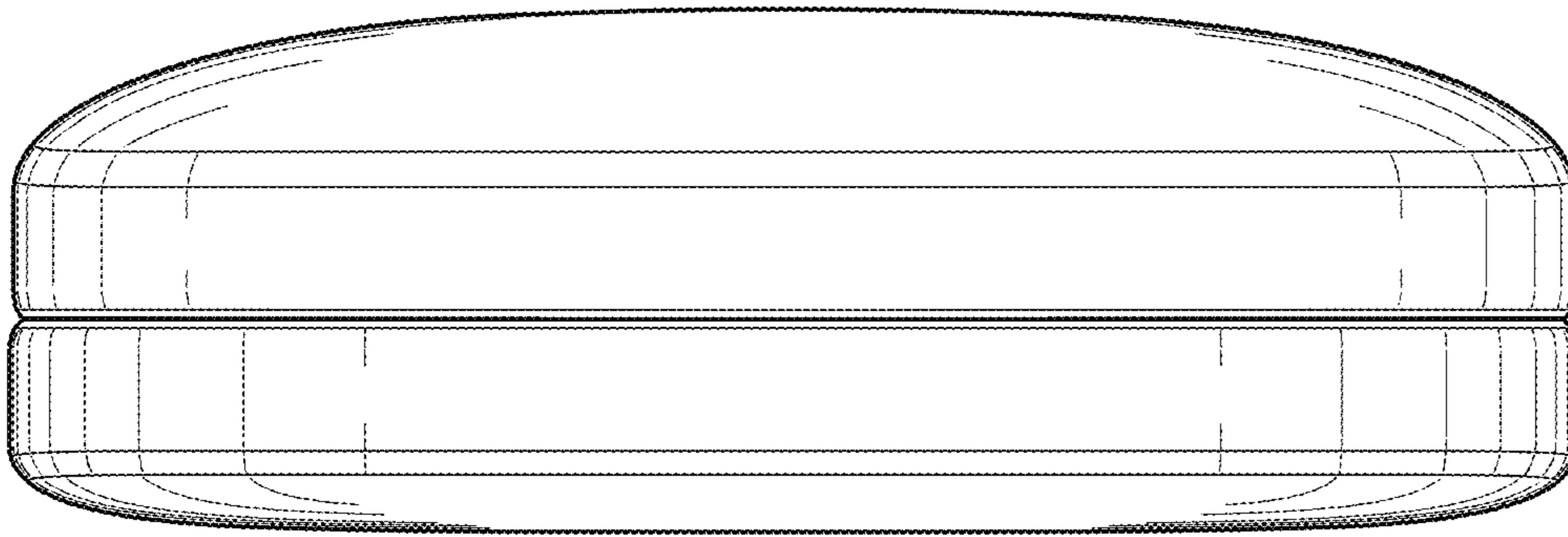


Fig. 23

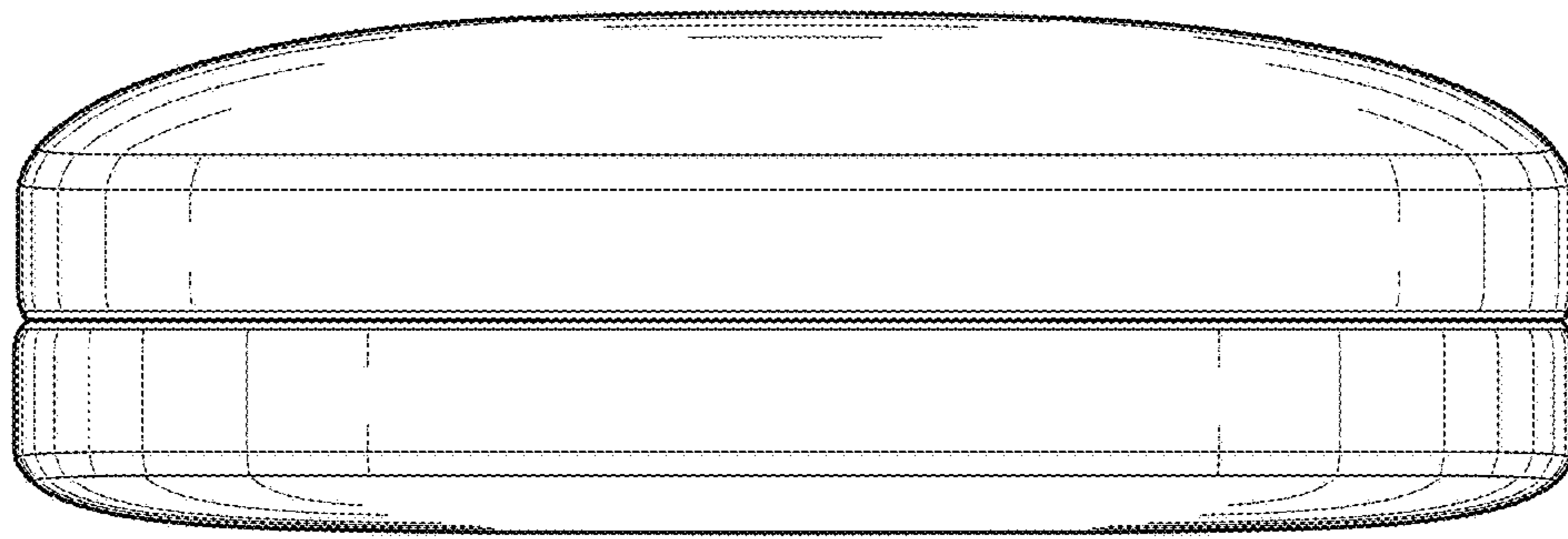


Fig. 24

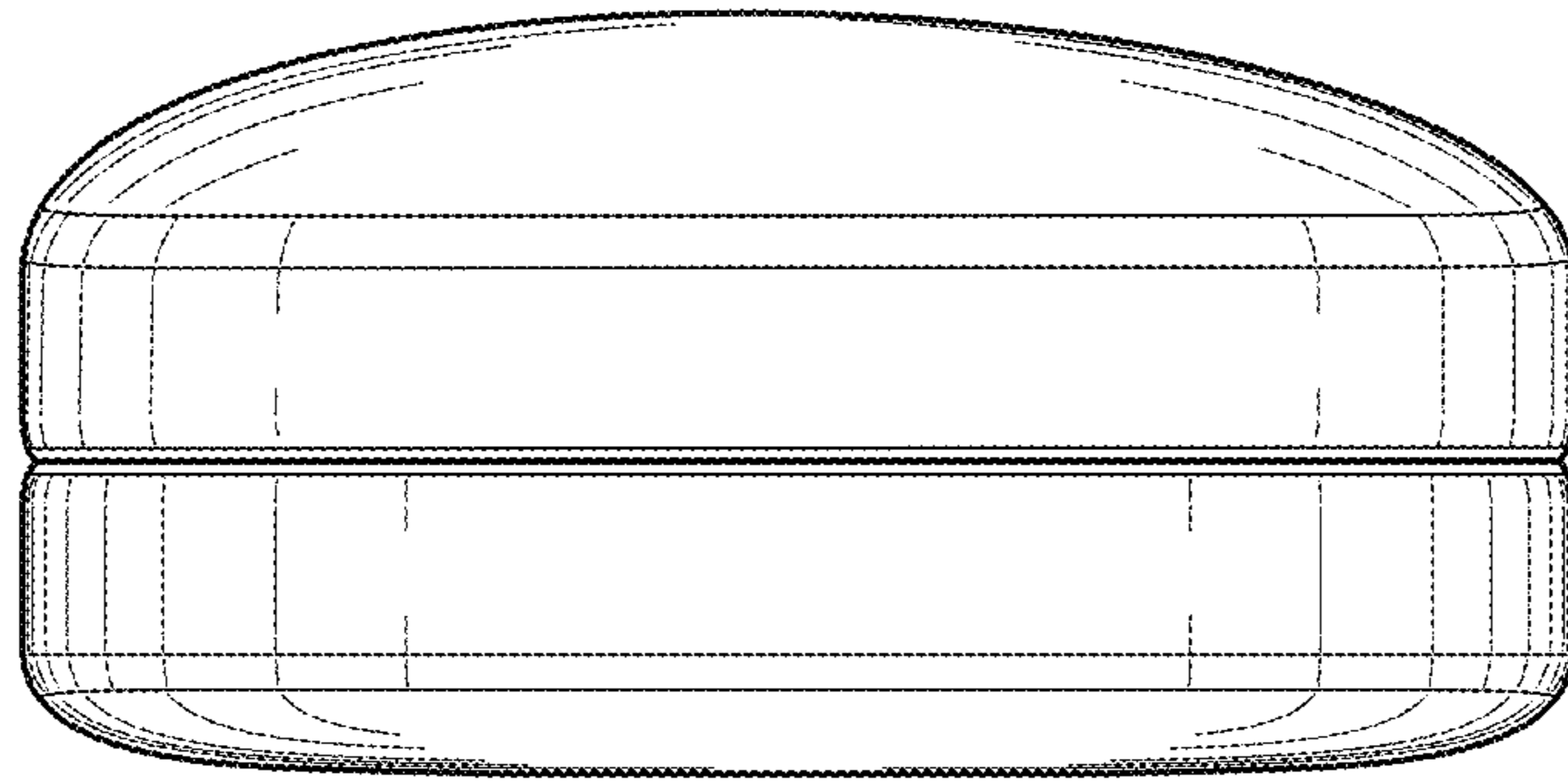


Fig. 25

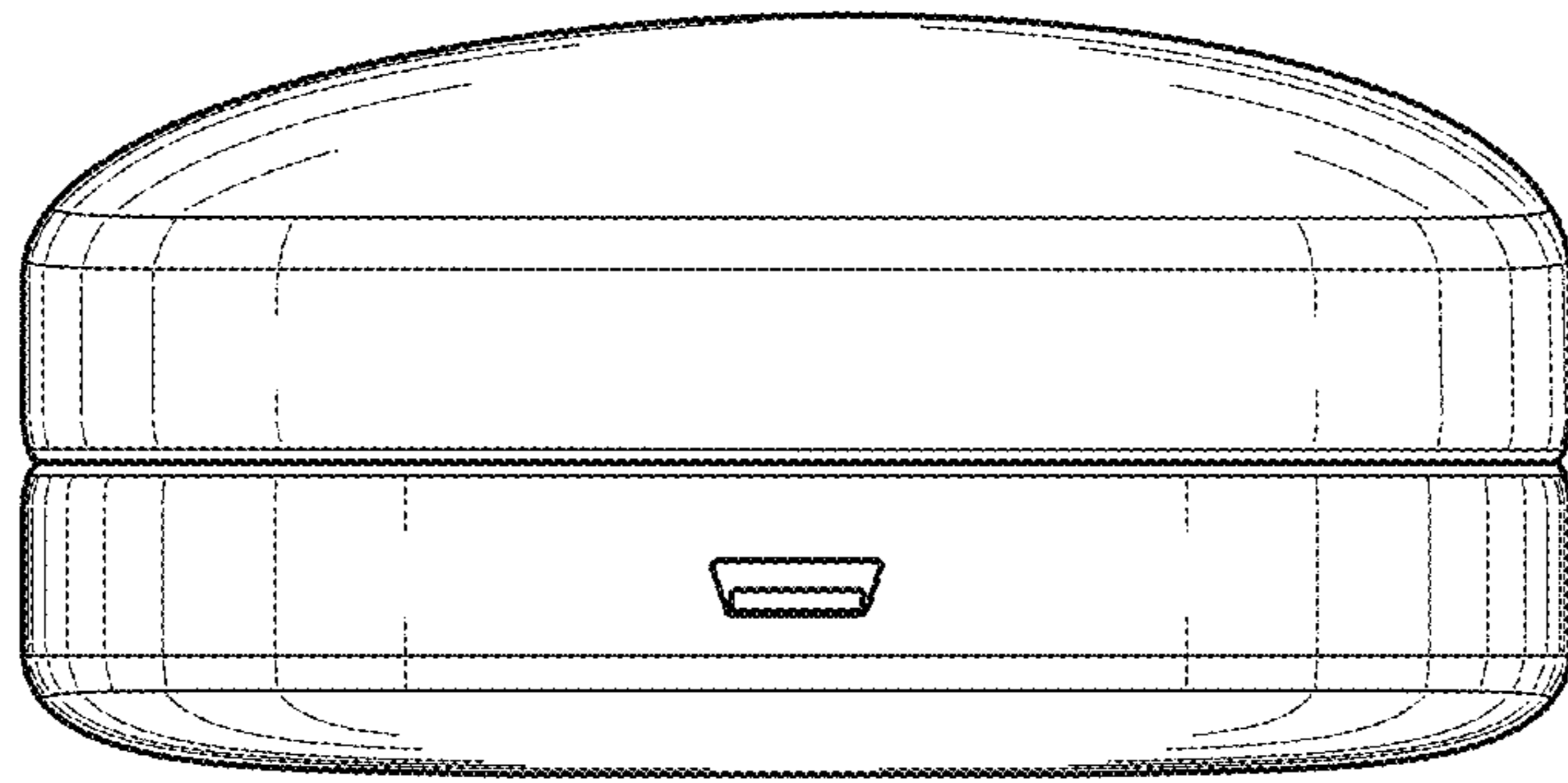


Fig. 26

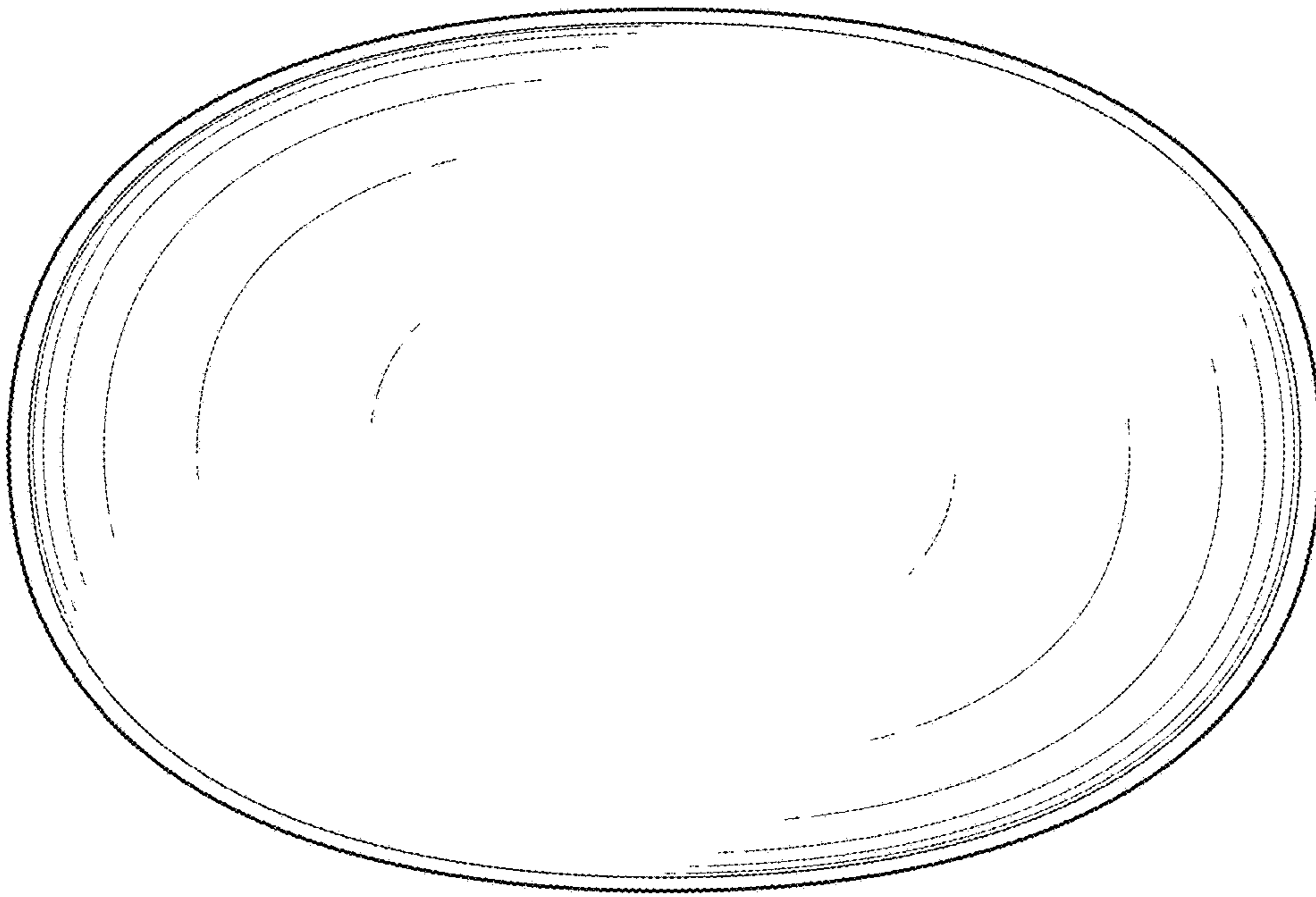


Fig. 27

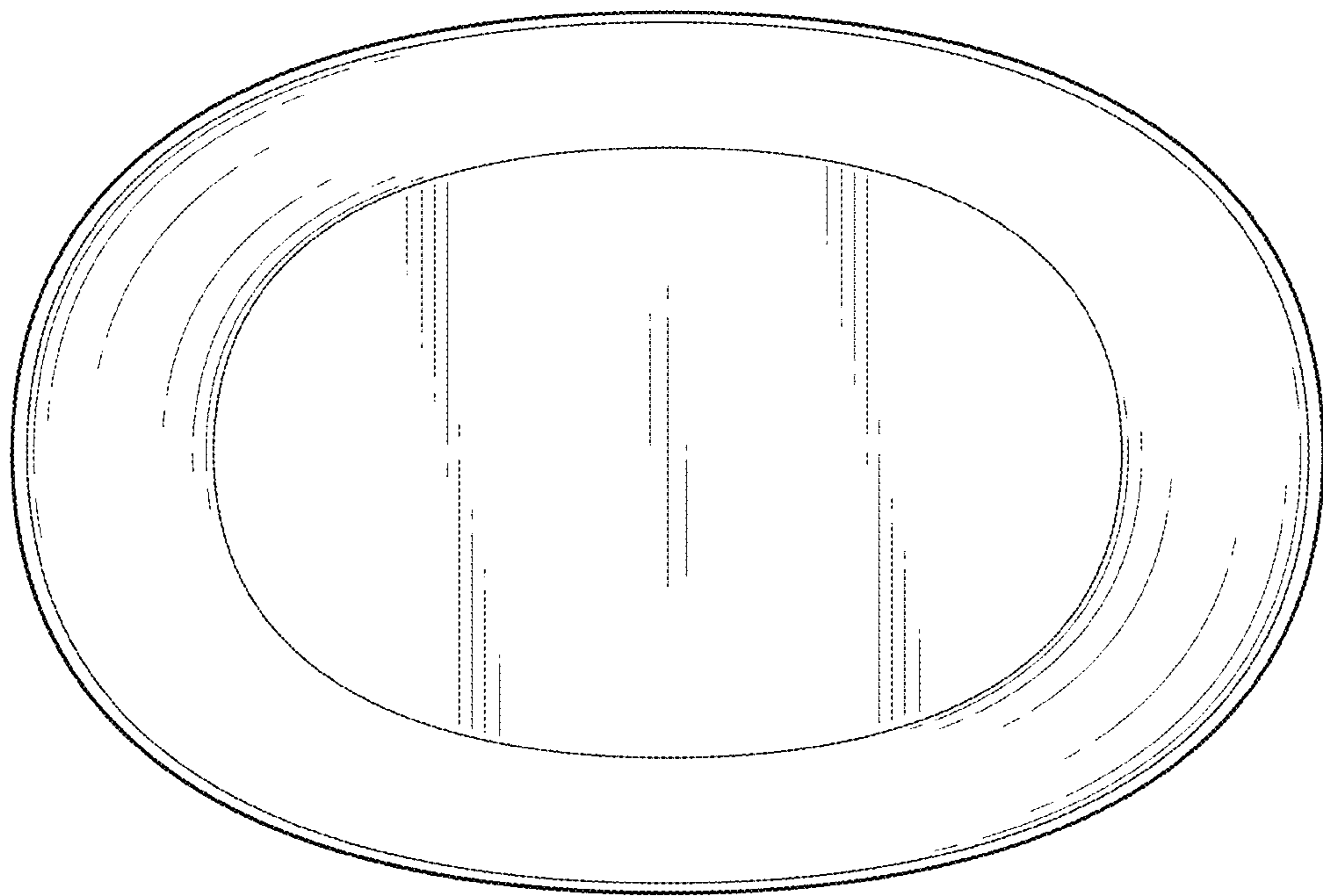


Fig. 28