



US00D832205S

(12) **United States Design Patent**
Aiken

(10) **Patent No.:** **US D832,205 S**
(45) **Date of Patent:** **** Oct. 30, 2018**

(54) **MOUNTING PLATFORM FOR PARALLEL CONNECTED SOLAR CELLS**

(71) Applicant: **SolAero Technologies Corp.**,
Albuquerque, NM (US)
(72) Inventor: **Daniel Aiken**, Cedar Crest, NM (US)
(73) Assignee: **SolAero Technologies Corp.**,
Albuquerque, NM (US)

(**) Term: **15 Years**
(21) Appl. No.: **29/619,366**
(22) Filed: **Sep. 28, 2017**

Related U.S. Application Data

(62) Division of application No. 29/515,727, filed on Jan. 26, 2015, now Pat. No. Des. 804,406.
(51) **LOC (11) Cl.** **13-03**
(52) **U.S. Cl.**
USPC **D13/102**
(58) **Field of Classification Search**
USPC D13/102, 118, 154, 184, 199
CPC H01L 31/00; H01L 31/02; H01L 31/042;
H01L 31/045; H01L 31/046; H01L 31/048;
H01L 31/05; H01L 31/052; H01L 31/0525; H02S 30/00; H02S 20/10; H02S 20/23; H02S 20/30; H02S 40/34; H02S 40/44; F24J 2/52; F03G 6/00
See application file for complete search history.

(56) **References Cited**

U.S. PATENT DOCUMENTS

D240,046 S *	5/1976	Liindmayer	D13/102
D384,935 S *	10/1997	Fukuhara	D13/102
D591,229 S *	4/2009	Sharma	D13/102
D804,406 S *	12/2017	Aiken	D13/102
D808,902 S *	1/2018	Qiu	D13/108

* cited by examiner

Primary Examiner — Daniel Bui

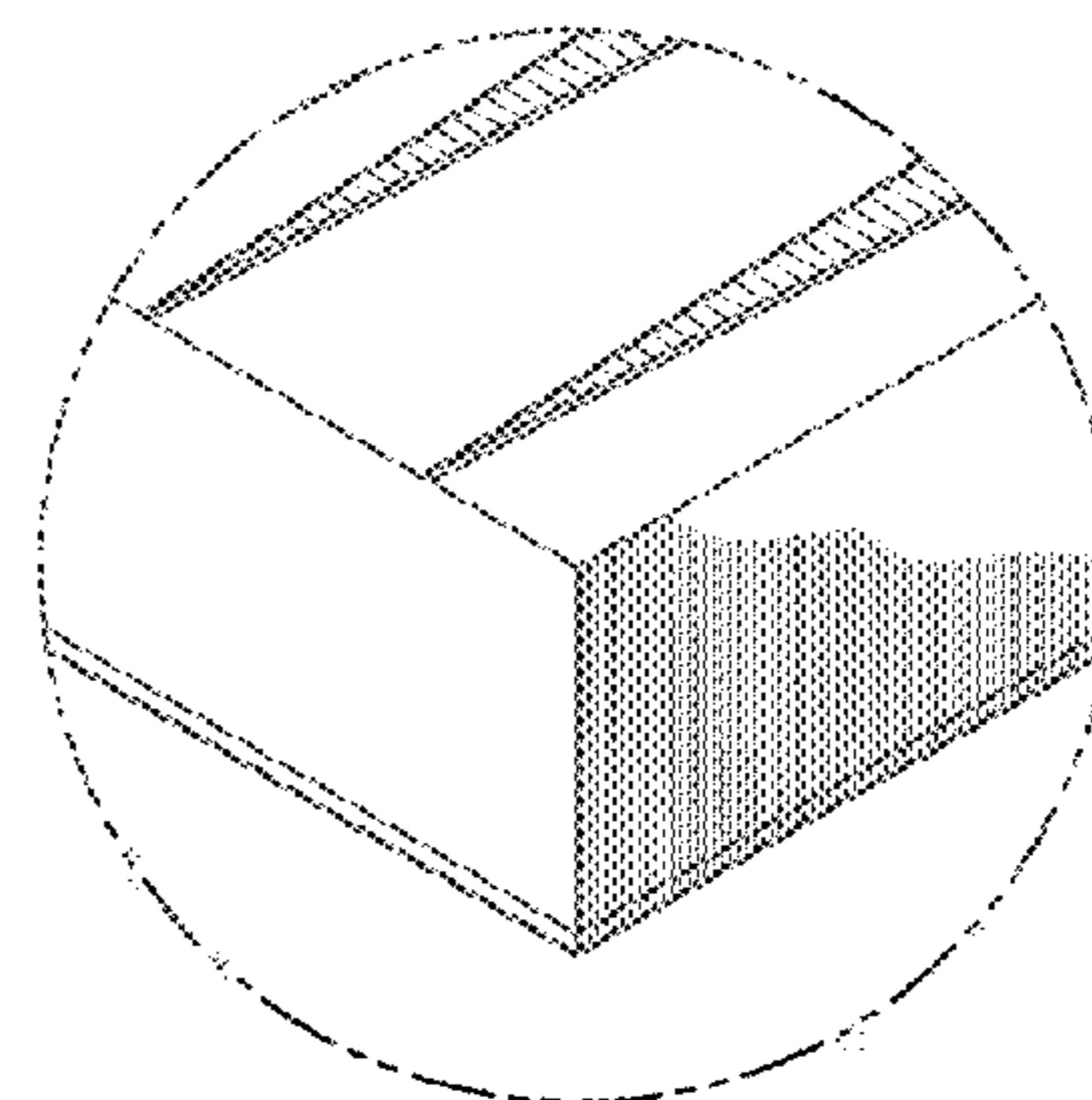
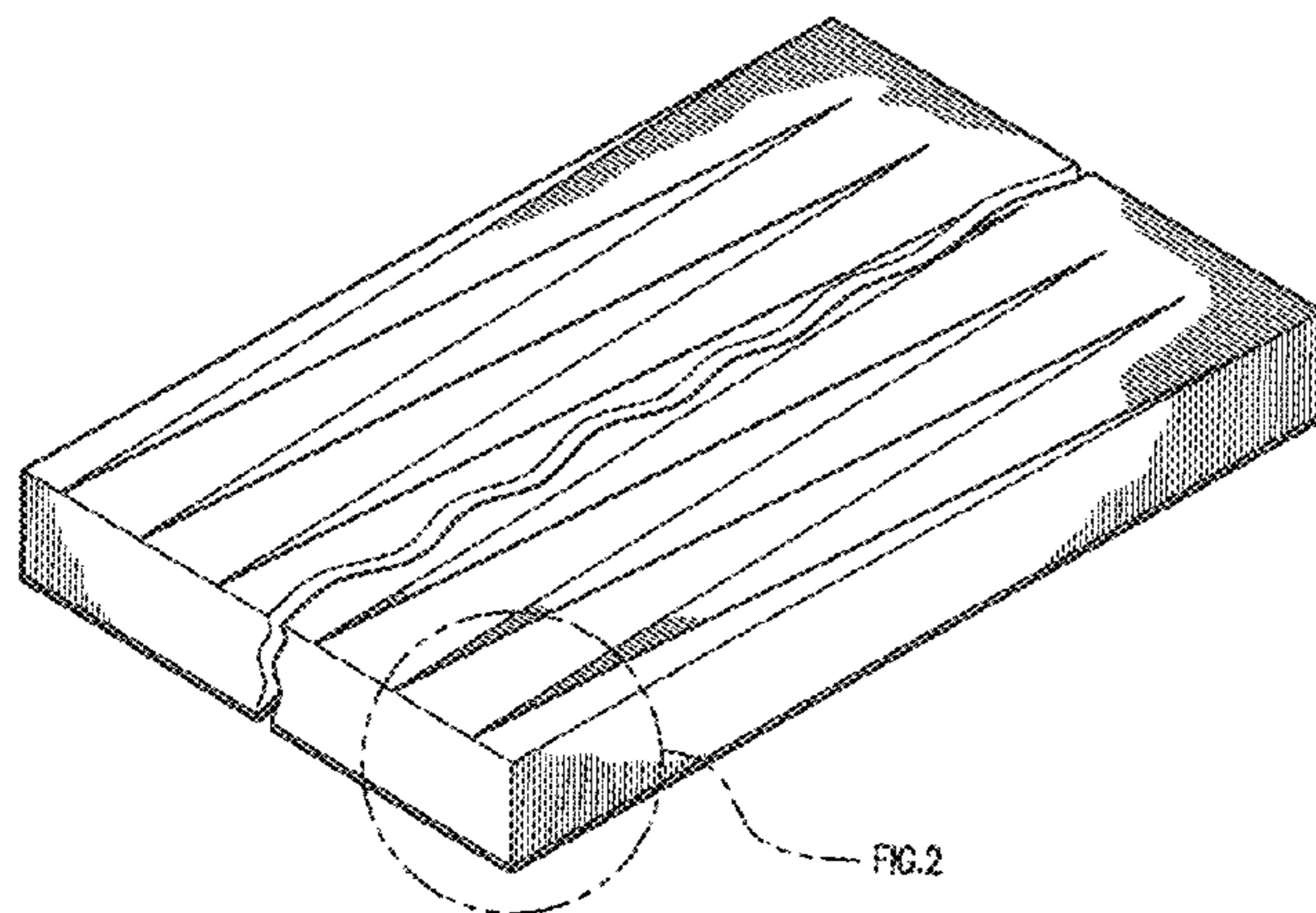
(57) **CLAIM**

The ornamental design for a mounting platform for parallel connected solar cells, as shown and described.

DESCRIPTION

FIG. 1 is a top perspective view of a mounting platform for parallel connected solar cells showing my new design; FIG. 2 is an enlarged partial view thereof, taken from FIG. 1;
FIG. 3 is a top plan view thereof;
FIG. 4 is a bottom plan view thereof;
FIG. 5 is a front side elevation view thereof;
FIG. 6 is a rear side elevation view thereof;
FIG. 7 is a left side elevation view thereof; and,
FIG. 8 is a right side elevation view thereof.
The mounting platform for parallel connected solar cells is shown with a symbolic break in its length. The appearance of any portion of the article between the break lines forms no part of the claimed design.

1 Claim, 6 Drawing Sheets



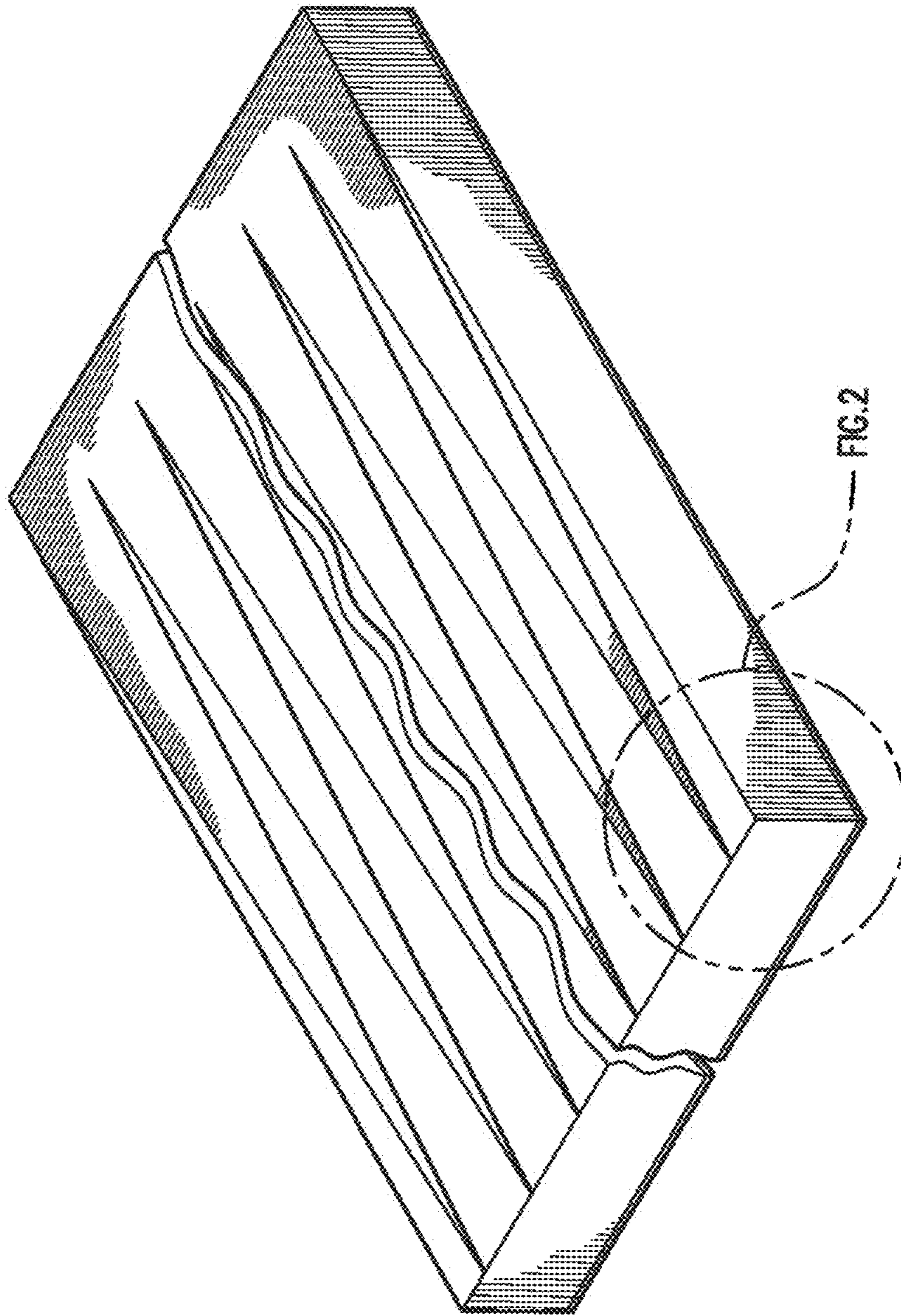


FIG. 1

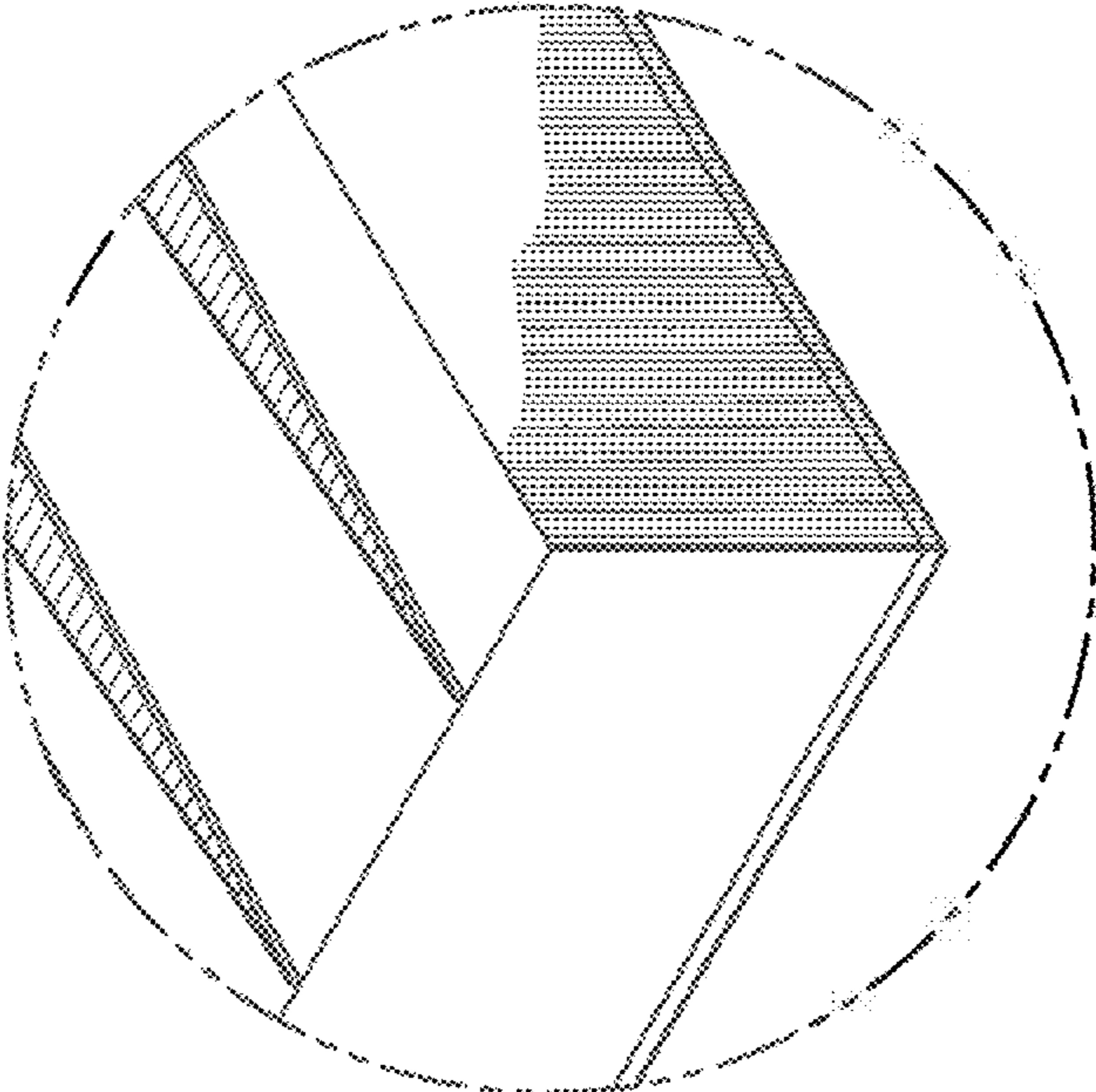


FIG. 2

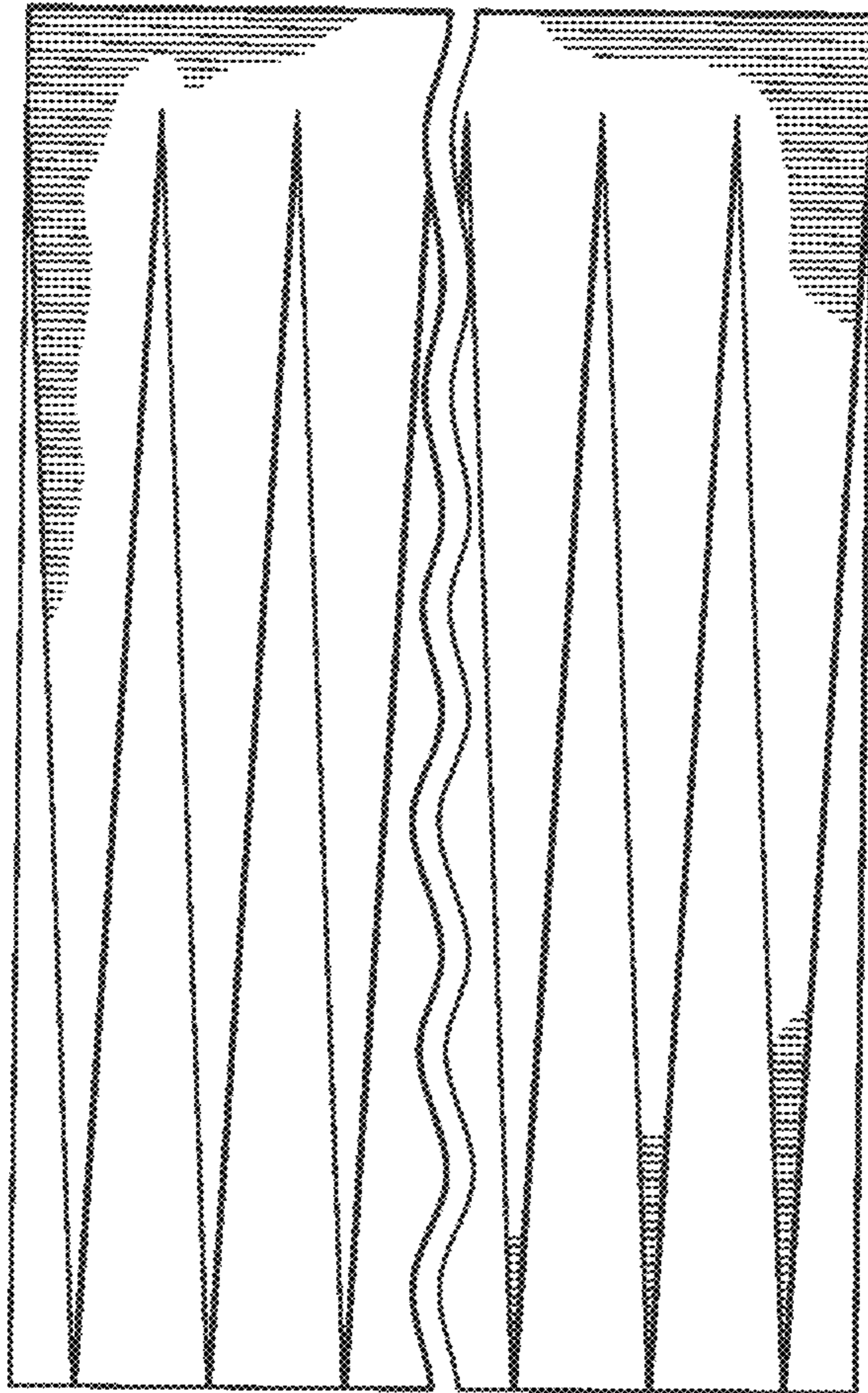


FIG. 3

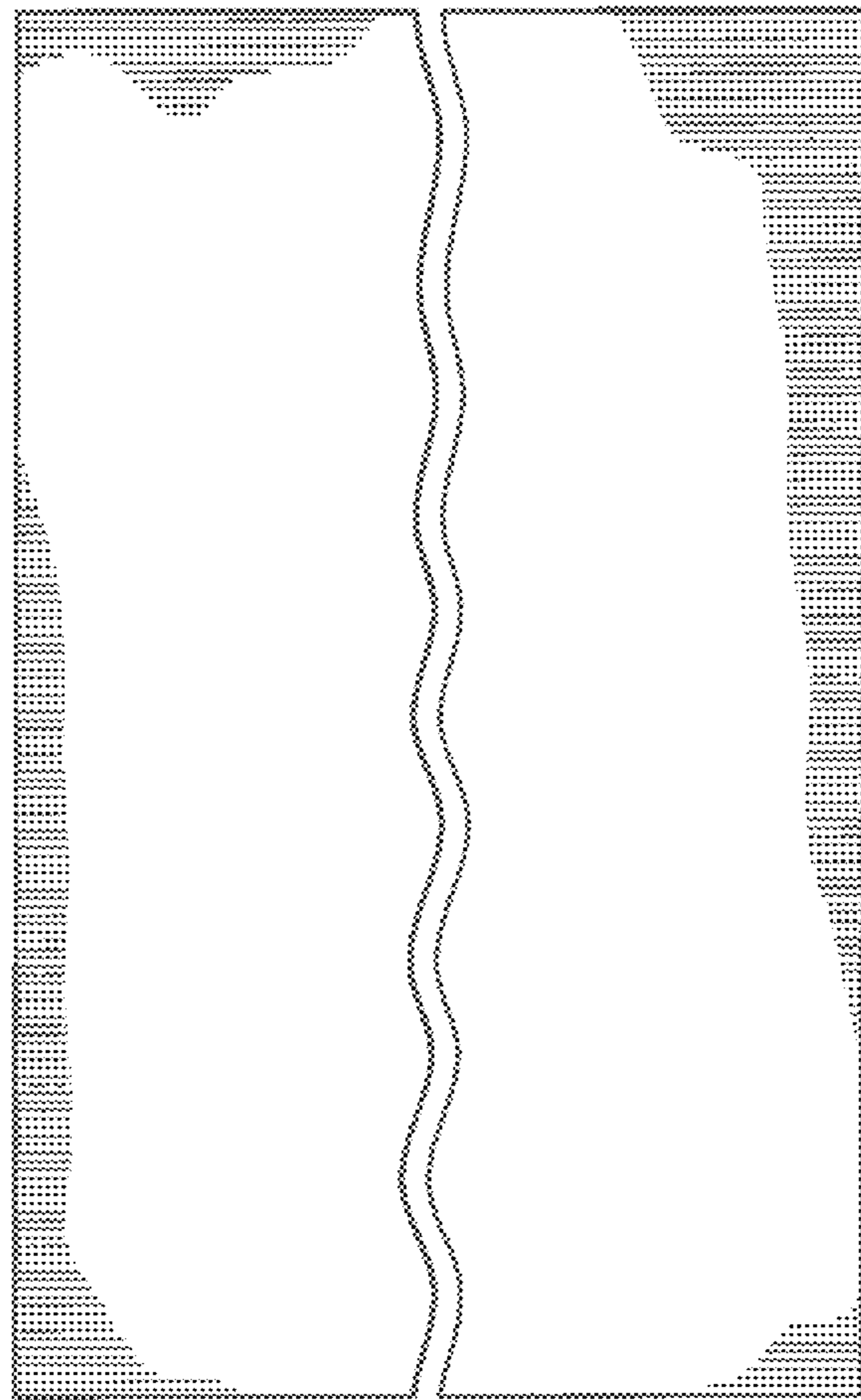


FIG. 4

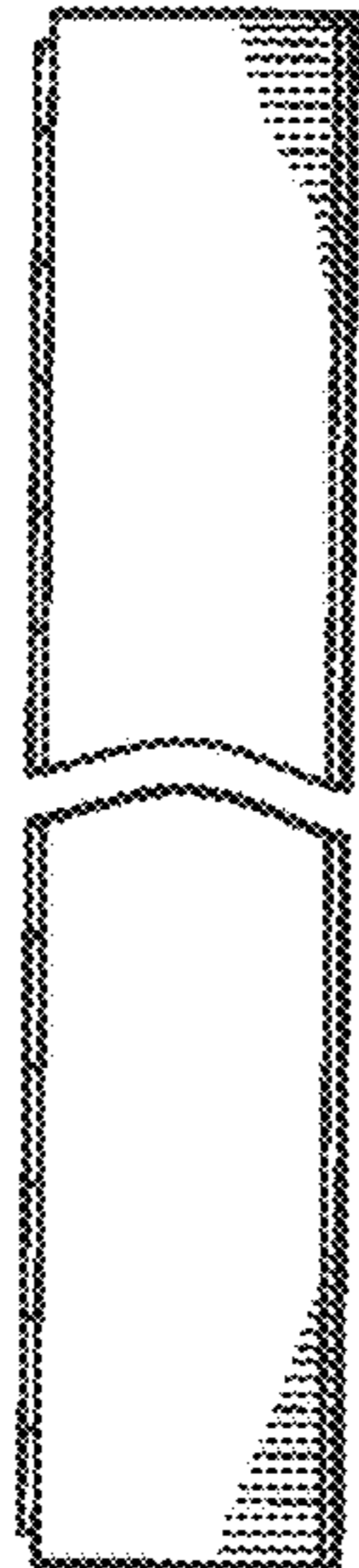


FIG. 5

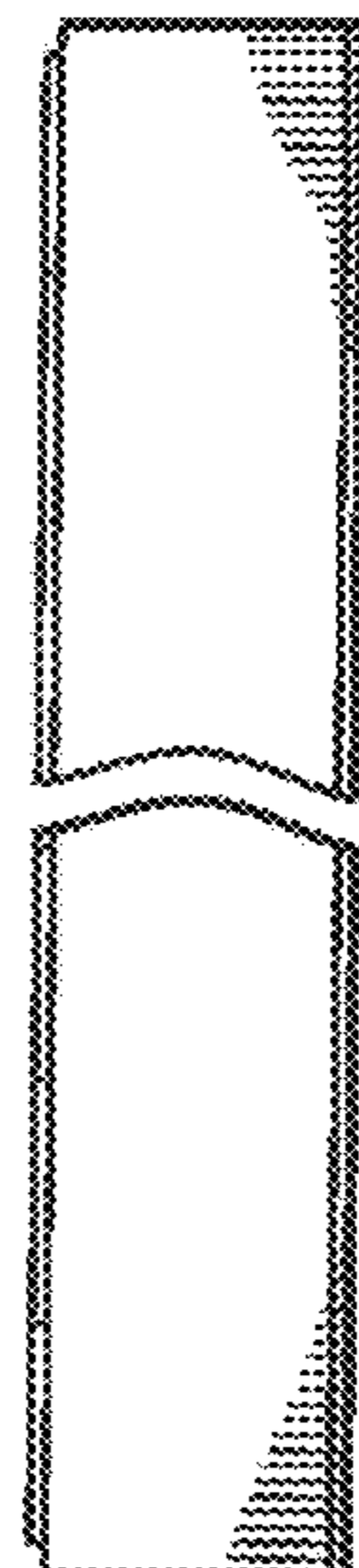


FIG. 6

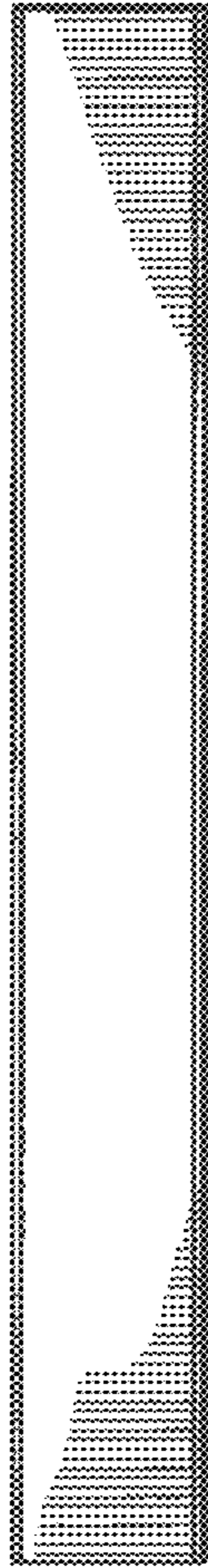


FIG. 7

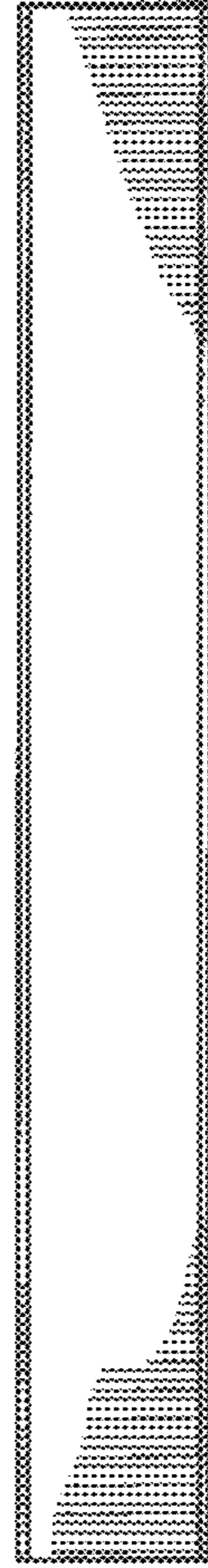


FIG. 8