



US00D832204S

(12) **United States Design Patent** (10) **Patent No.:** **US D832,204 S**
Andresen et al. (45) **Date of Patent:** **** Oct. 30, 2018**

(54) **SOLAR CHARGING STAND**

(56) **References Cited**

(71) Applicant: **Bright Products AS**, Oslo (NO)

U.S. PATENT DOCUMENTS

(72) Inventors: **Marius Andresen**, Oslo (NO); **Kevin Geers**, Oslo (NO); **Joachim Wallem Rasmussen**, Oslo (NO); **Jan Anders Ekroll**, Oslo (NO); **Olivier Butstraen**, Oslo (NO)

D661,646 S *	6/2012	Son	D13/108
D671,493 S *	11/2012	Hasbrook	D13/108
D718,703 S *	12/2014	Rizzo	D13/102
D718,704 S *	12/2014	Rizzo	D13/102
D728,468 S *	5/2015	Ferber	D13/103
D758,299 S *	6/2016	Lafferty	D13/102

* cited by examiner

(73) Assignee: **Bright Products AS**, Oslo (NO)

Primary Examiner — Daniel Bui

(**) Term: **15 Years**

(74) *Attorney, Agent, or Firm* — Diederiks & Whitelaw, PLC

(21) Appl. No.: **29/617,310**

(22) Filed: **Sep. 13, 2017**

(57) **CLAIM**

The ornamental design for a solar charging stand, as shown and described.

(30) **Foreign Application Priority Data**

DESCRIPTION

Mar. 13, 2017 (EM) 003796861-0001

(51) **LOC (11) Cl.** **13-03**

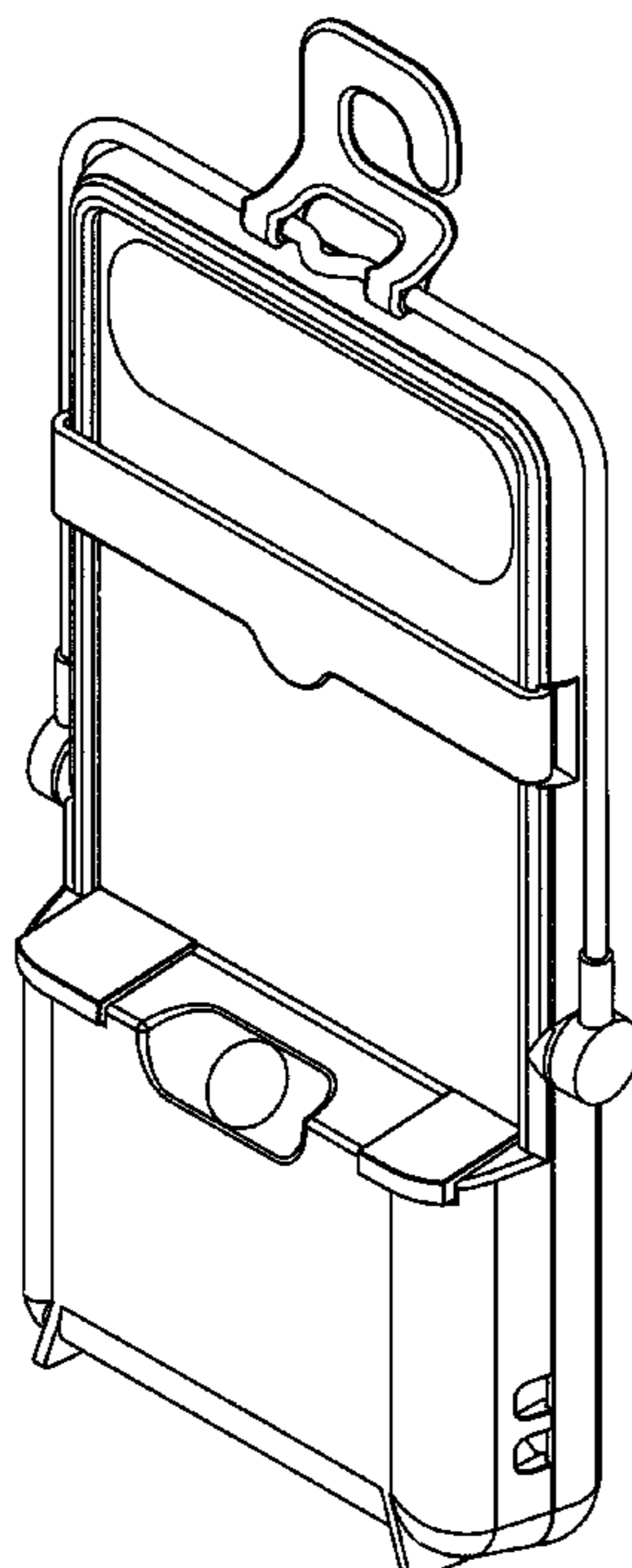
(52) **U.S. Cl.**
USPC **D13/102**

(58) **Field of Classification Search**
USPC D13/102, 103, 104, 105, 106, 107, 108, D13/109, 118, 119, 120, 154, 184, 199
CPC H01L 31/00; H01L 31/02; H01L 31/042; H01L 31/045; H01L 31/046; H01L 31/048; H01L 31/05; H01L 31/052; H01L 31/0525; H01L 25/04; H01L 31/04; H01L 31/024; H02S 30/00; H02S 20/10; H02S 20/23; H02S 20/30; H02S 40/34; H02S 40/44; F24J 2/52; F03G 6/00; Y02E 10/50; Y02E 10/50544

FIG. 1 is a front elevational view of a solar charging stand according to our new design;
FIG. 2 is a rear elevational view of the solar charging stand;
FIG. 3 is a left side elevational view of the solar charging stand;
FIG. 4 is a right side elevational view of the solar charging stand;
FIG. 5 is a top plan view of the solar charging stand in the retracted position;
FIG. 6 is a bottom plan view of the solar charging stand in the retracted position; and,
FIG. 7 is an upper right perspective view of the solar charging stand.

See application file for complete search history.

1 Claim, 6 Drawing Sheets



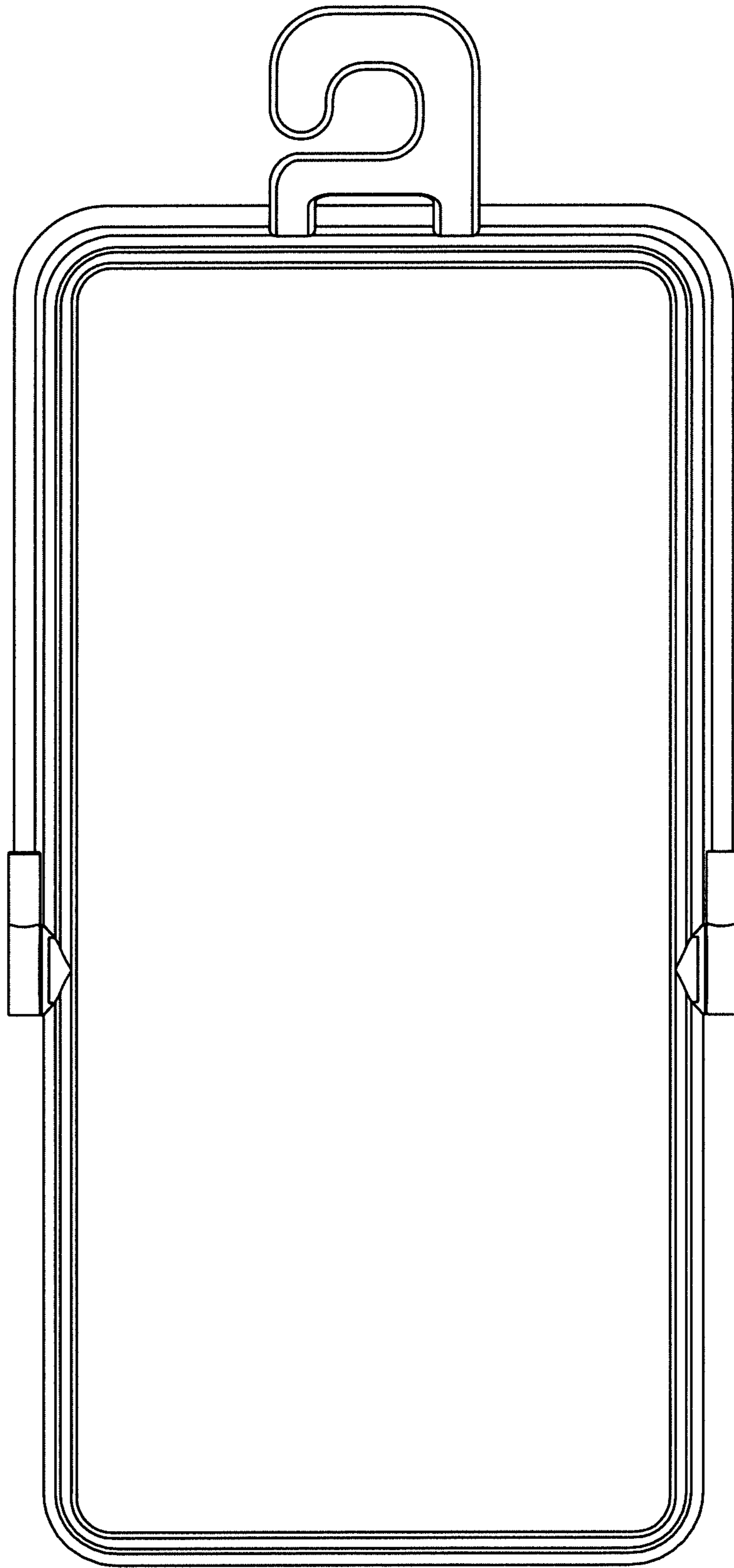


FIG. 1

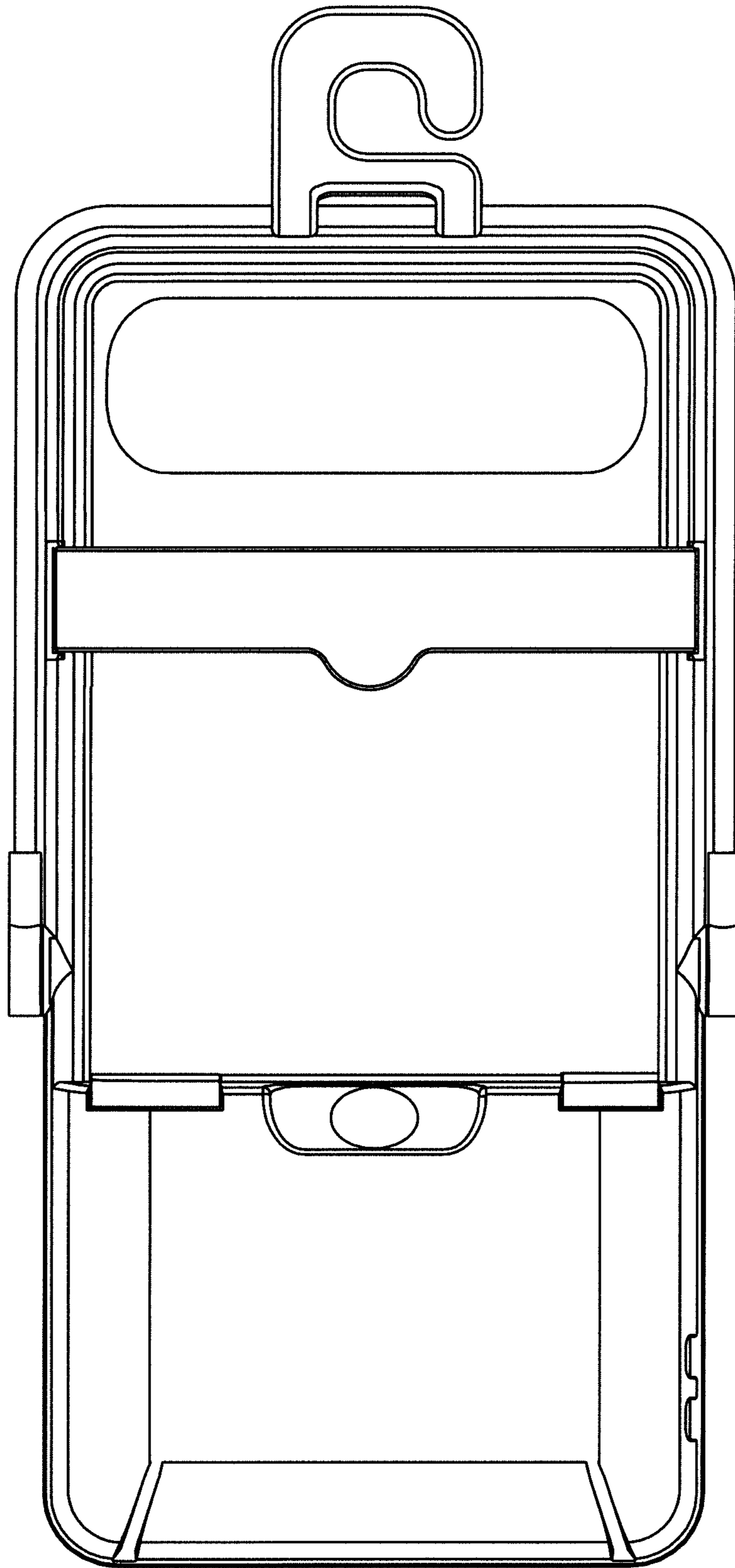


FIG. 2

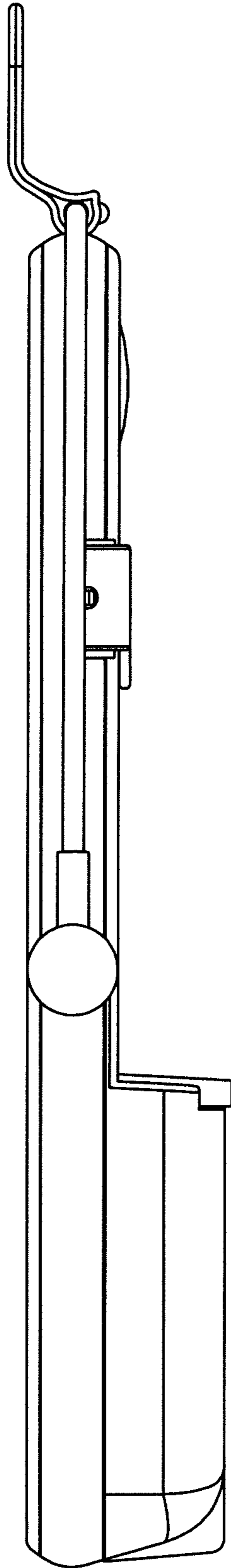


FIG. 3

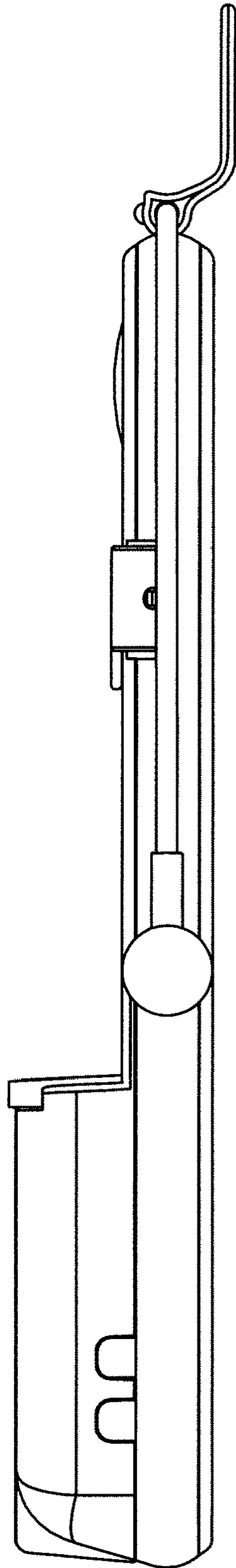


FIG. 4

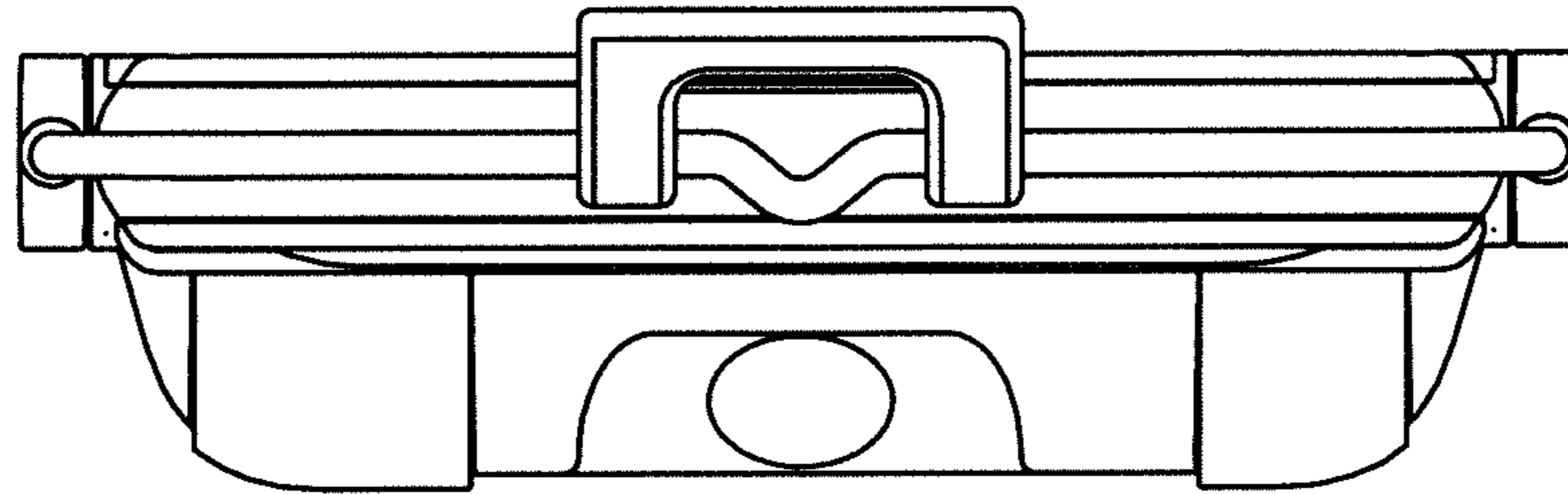


FIG. 5

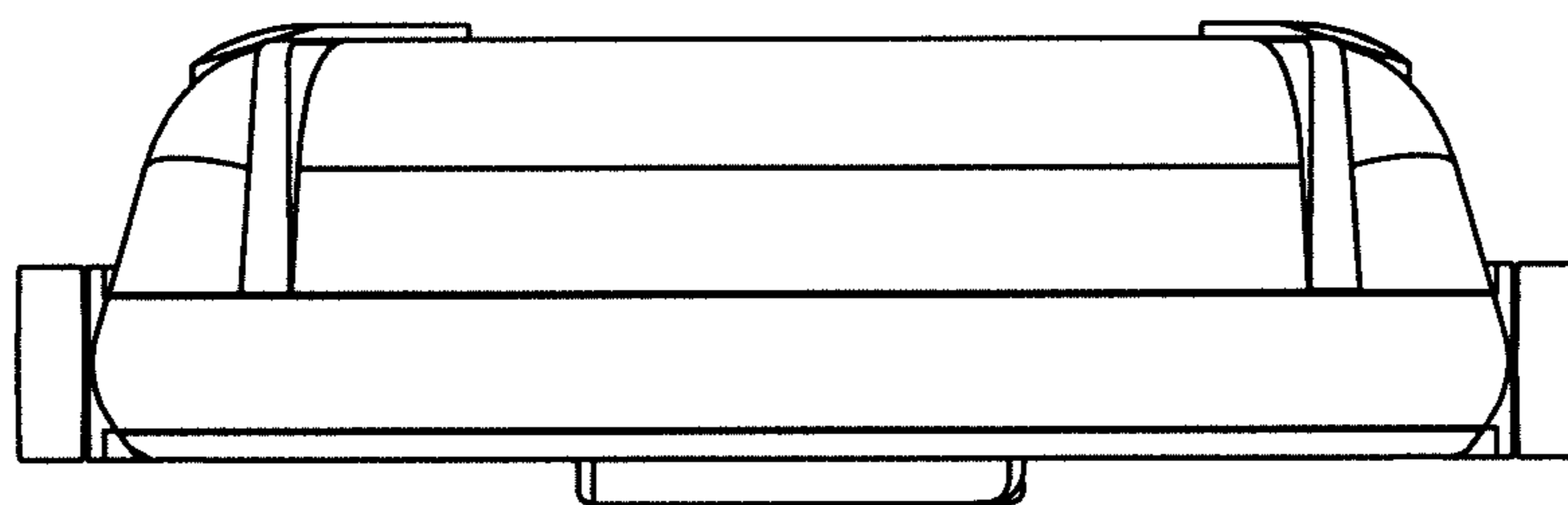


FIG. 6

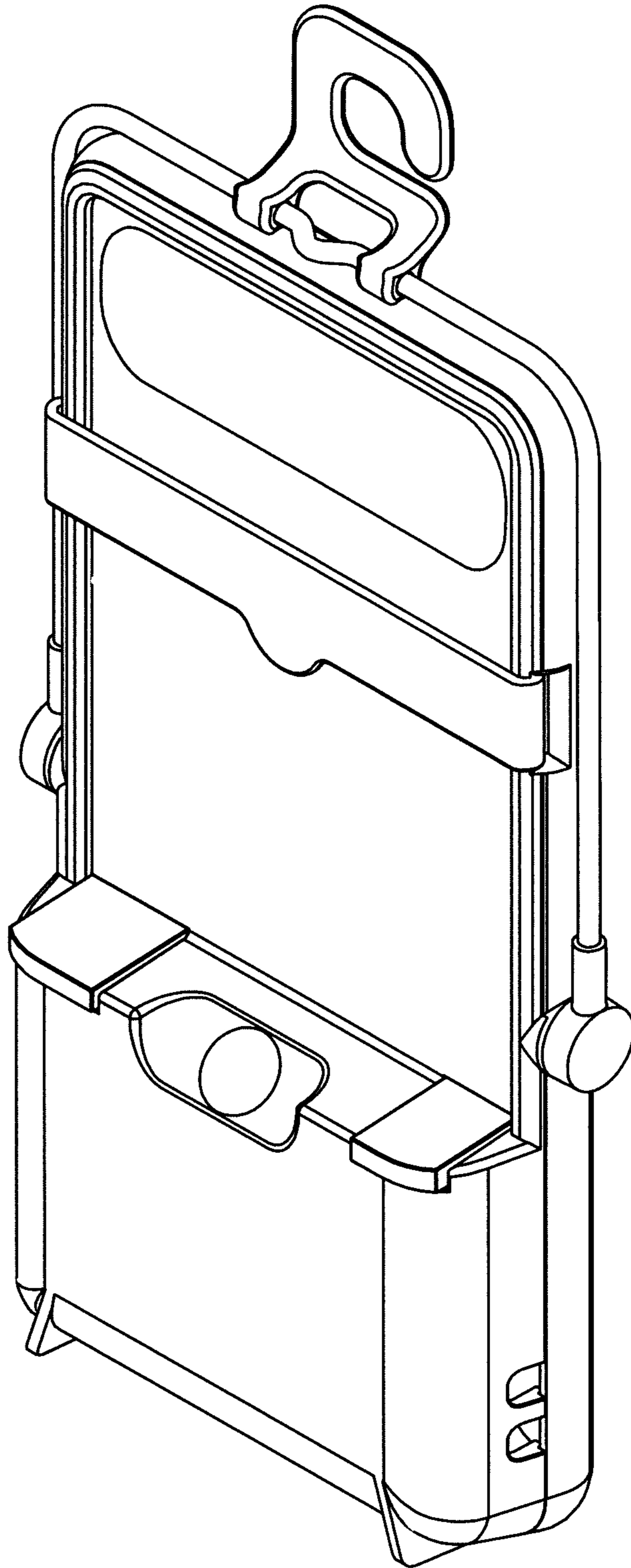


FIG. 7