



US00D832200S

(12) **United States Design Patent** (10) **Patent No.:** **US D832,200 S**  
**Au** (45) **Date of Patent:** **\*\* Oct. 30, 2018**

(54) **SOLAR TRACKER DRIVE APPARATUS** 4,317,031 A \* 2/1982 Findell ..... F24J 2/10  
126/577  
(71) Applicant: **NEXTracker Inc.**, Fremont, CA (US) D438,093 S \* 2/2001 Mandujano ..... D8/396  
D439,833 S \* 4/2001 Nakamura ..... D8/356  
(72) Inventor: **Alexander W. Au**, El Cerrito, CA (US) D627,717 S \* 11/2010 Munoz ..... D13/102  
D651,969 S \* 1/2012 Turk ..... D13/102  
(73) Assignee: **NEXTracker Inc.**, Fremont, CA (US) 8,181,926 B2 \* 5/2012 Magno, Jr. .... F24J 2/5258  
248/220.21  
(\*\*) Term: **14 Years** 8,274,028 B2 \* 9/2012 Needham ..... F24J 2/541  
126/573  
8,459,249 B2 \* 6/2013 Corio ..... H02S 20/32  
126/600  
(21) Appl. No.: **29/516,653** 2004/0238025 A1 \* 12/2004 Shingleton ..... F24J 2/38  
136/246

(22) Filed: **Feb. 4, 2015**  
(51) **LOC (11) Cl.** ..... **13-02**  
(52) **U.S. Cl.**  
USPC ..... **D13/102**  
(58) **Field of Classification Search**  
USPC .... D13/102, 118, 184, 199; D8/72, 74, 349,  
D8/354, 355; 52/173.3; 126/573, 580,  
126/651, 656, 704; 136/206, 244-251,  
136/256, 291, 292  
CPC ..... F24J 2/38; F24J 2/40; F24J 2/54; F24J  
2/405; F24J 2/4638; F24J 2002/385;  
H01L 31/042; H01L 31/043; H01L  
31/052; H01L 31/0525; Y02E 10/47  
See application file for complete search history.

\* cited by examiner

*Primary Examiner* — Derrick Holland  
(74) *Attorney, Agent, or Firm* — Carter, DeLuca, Farrell  
& Schmidt, LLP

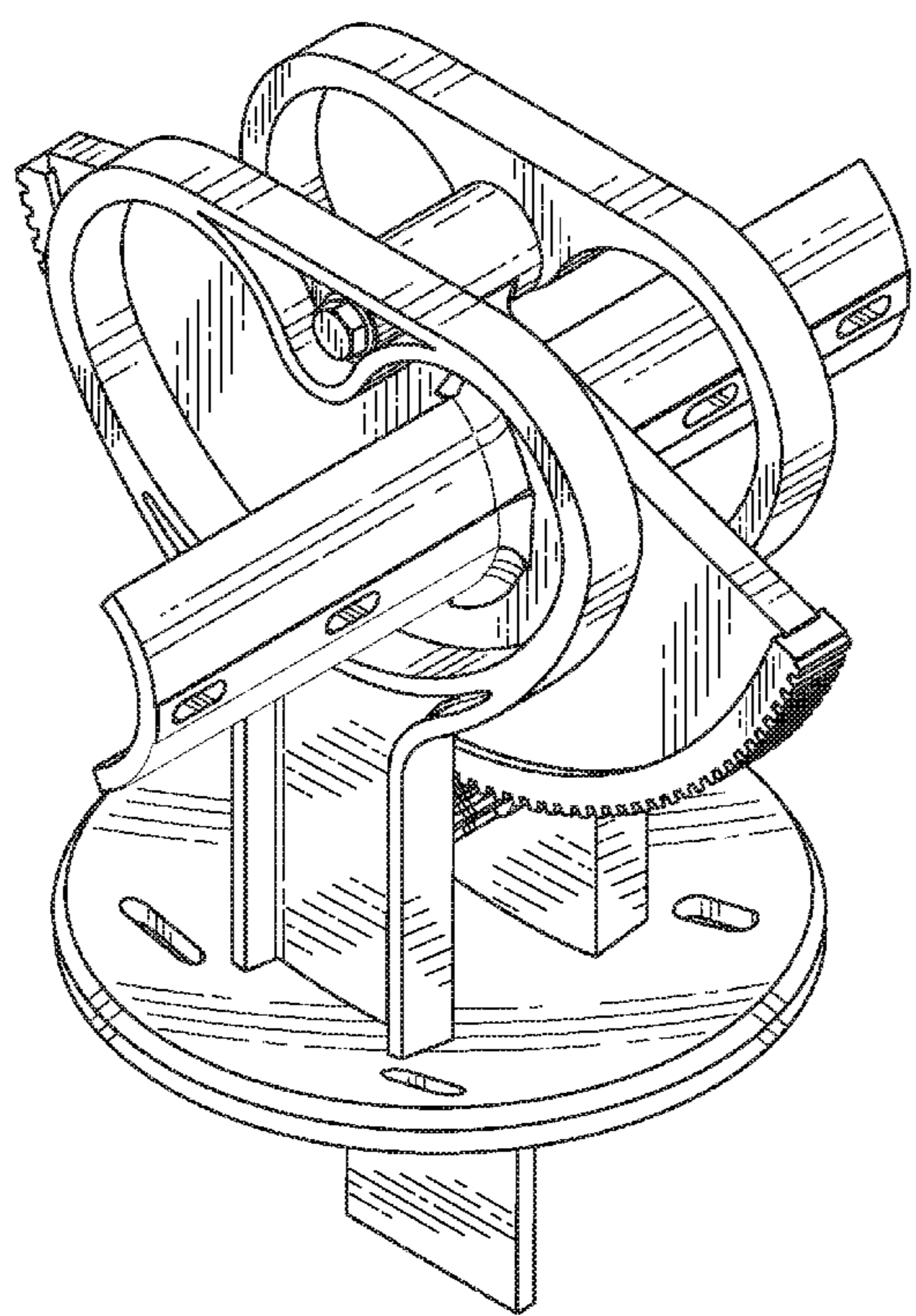
(57) **CLAIM**  
The ornamental design for a solar tracker drive apparatus, as  
shown and described.

**DESCRIPTION**

FIG. 1 is a perspective view of a solar tracker drive  
apparatus showing my new design;  
FIG. 2 is a front elevation view thereof;  
FIG. 3 is a back elevation view thereof;  
FIG. 4 is a first side view thereof;  
FIG. 5 is a second side view thereof;  
FIG. 6 is a top plan view thereof; and,  
FIG. 7 is a bottom plan view thereof.

**1 Claim, 7 Drawing Sheets**

(56) **References Cited**  
U.S. PATENT DOCUMENTS  
4,146,784 A \* 3/1979 Yekutieli ..... F24J 2/38  
126/573  
4,276,872 A \* 7/1981 Blake ..... F24J 2/16  
126/578



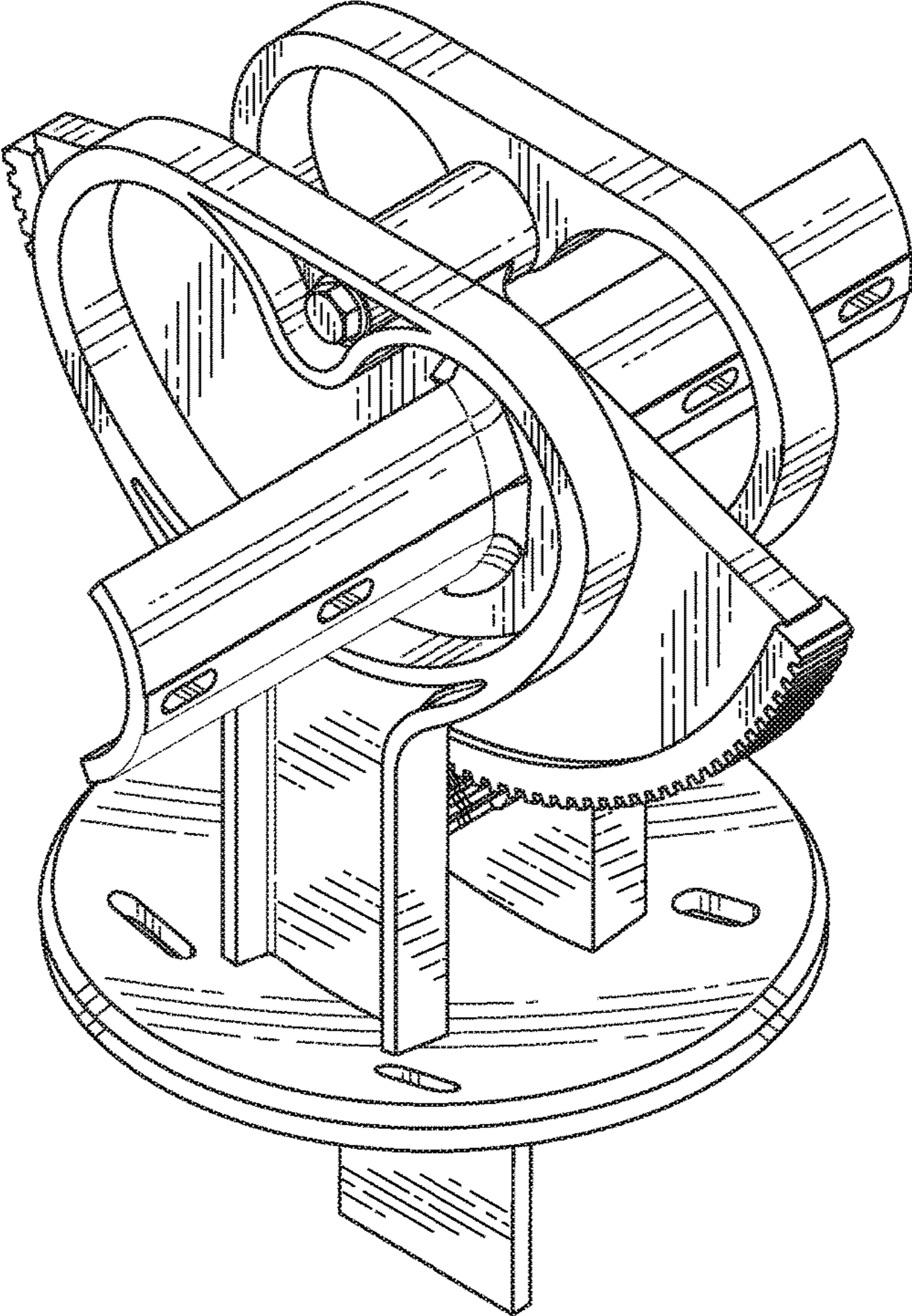


FIG. 1

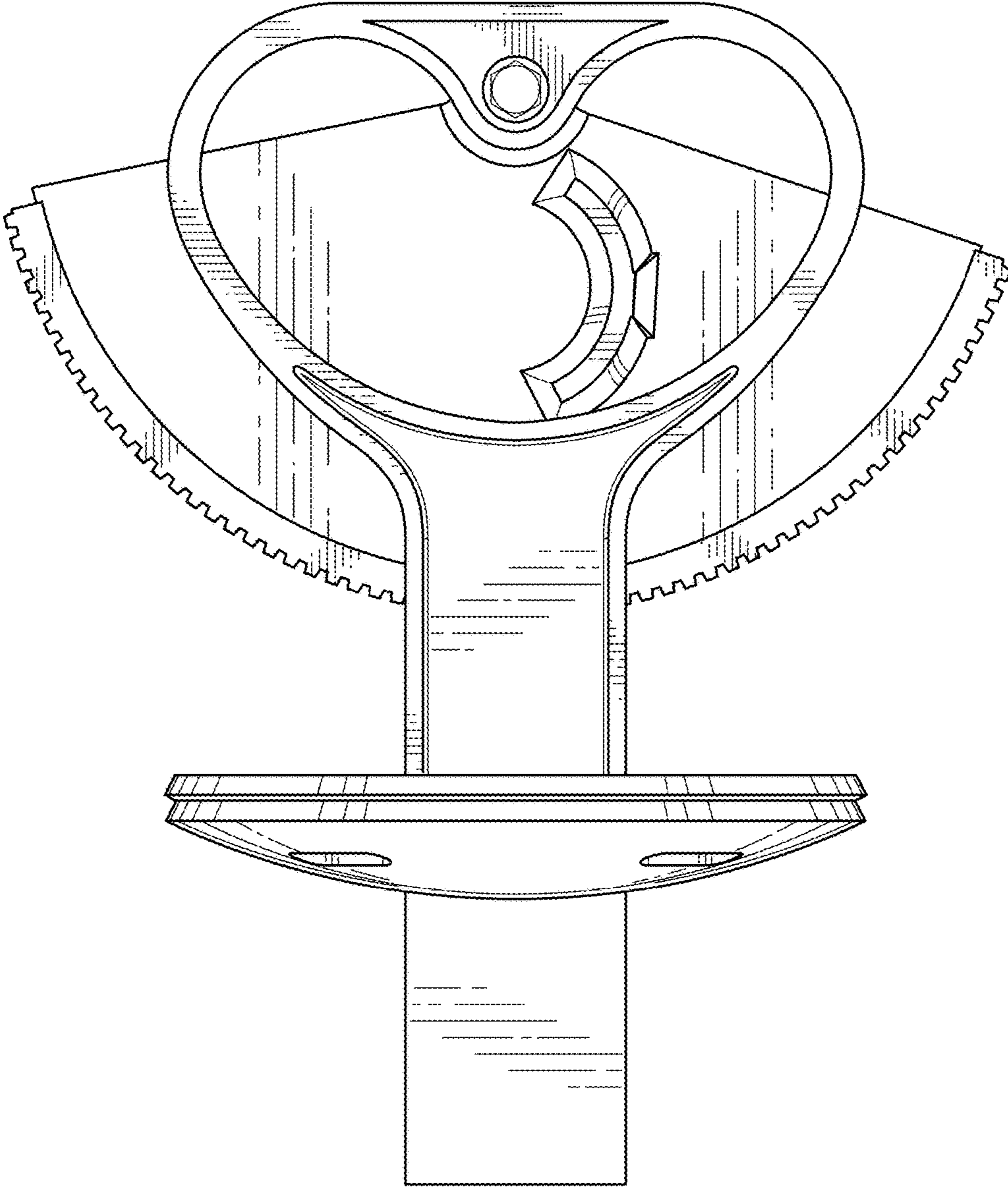


FIG. 2

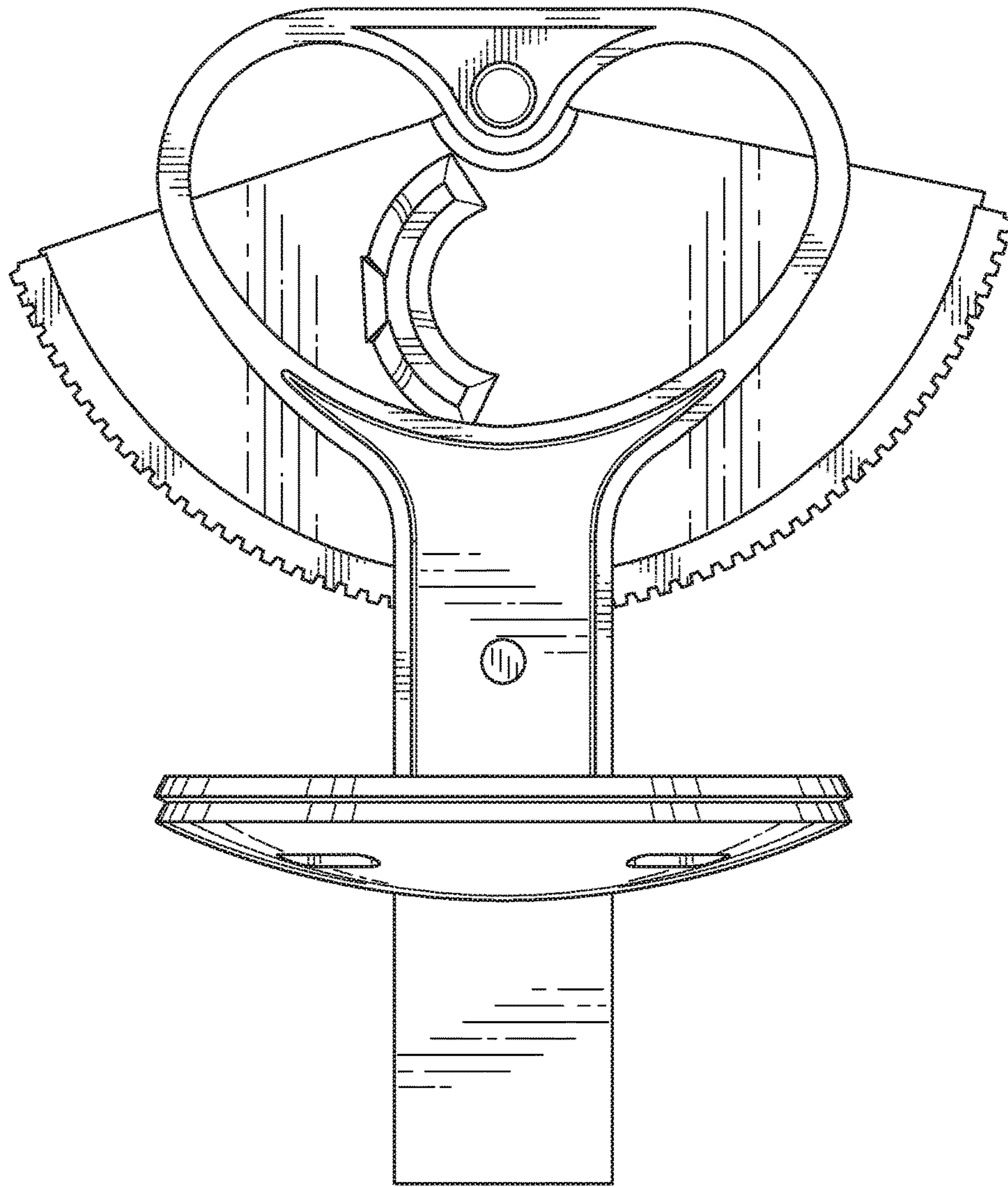


FIG. 3

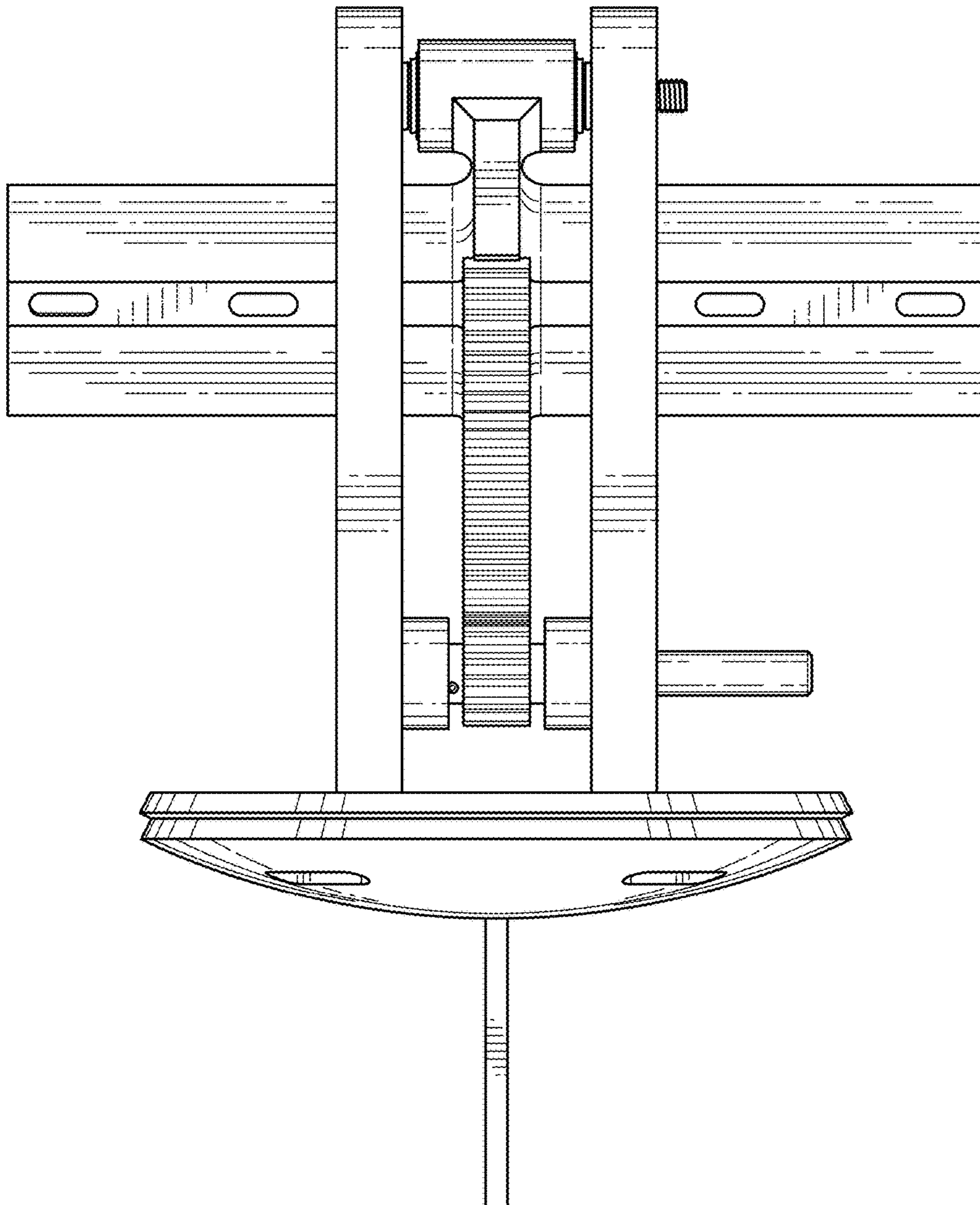


FIG. 4

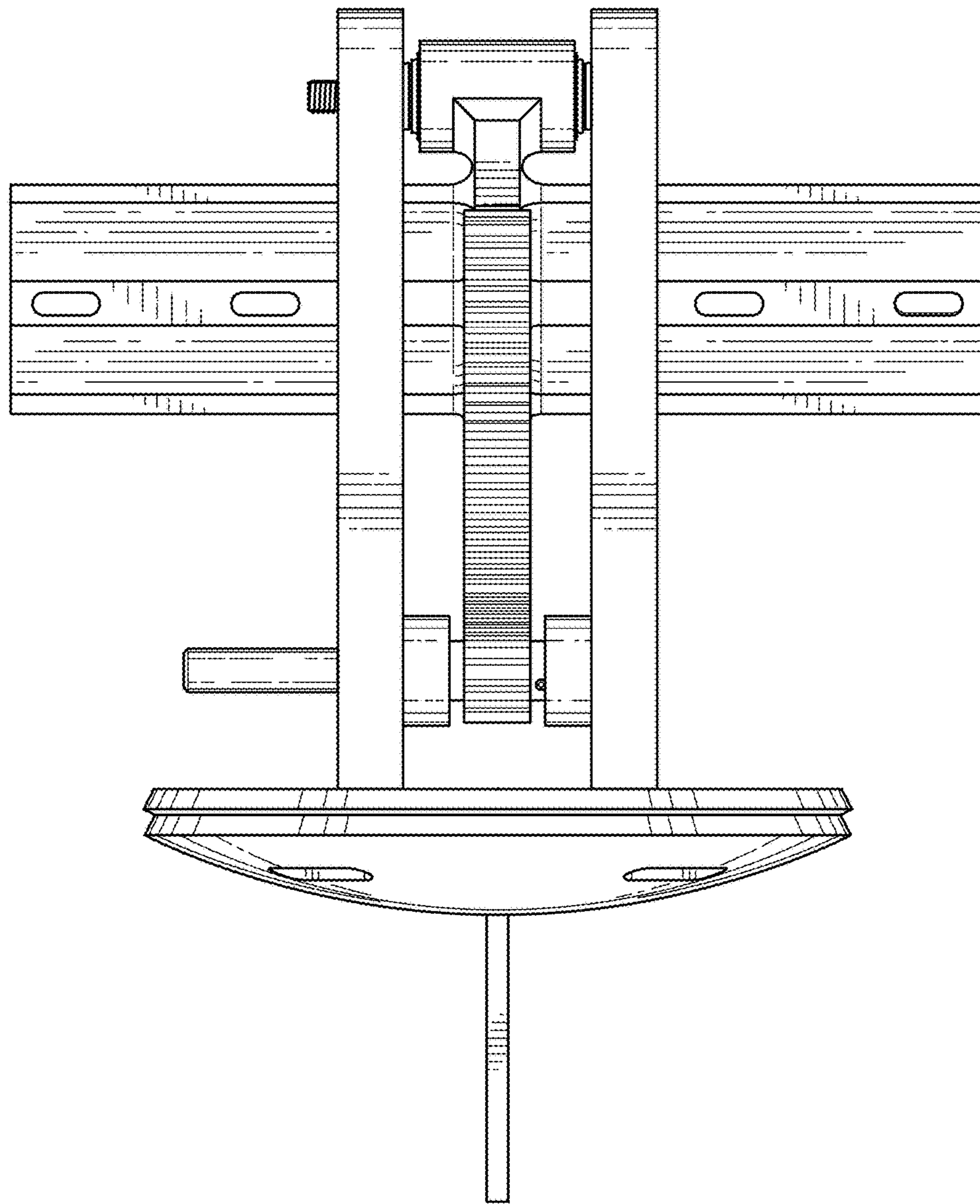


FIG. 5

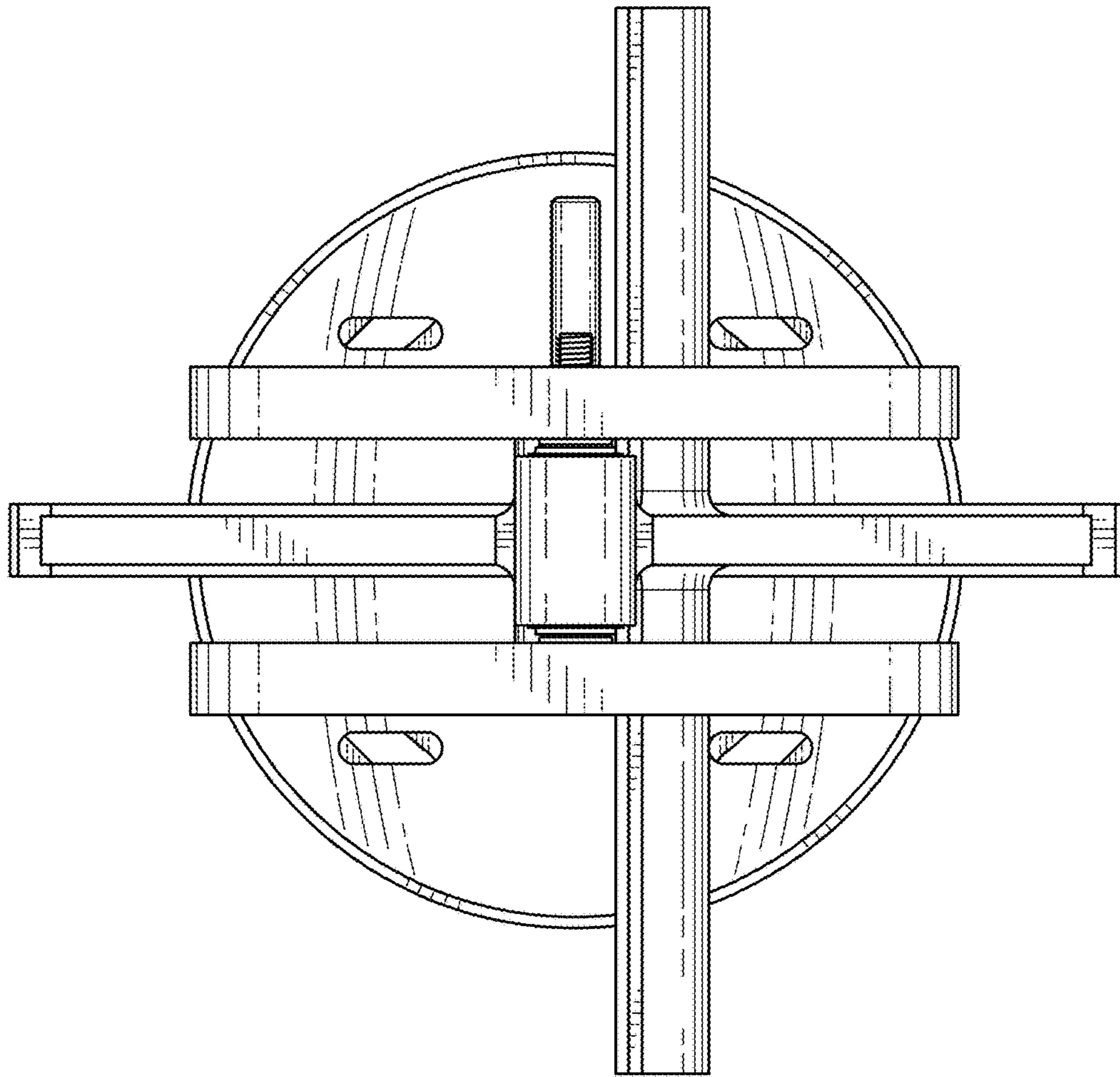


FIG. 6

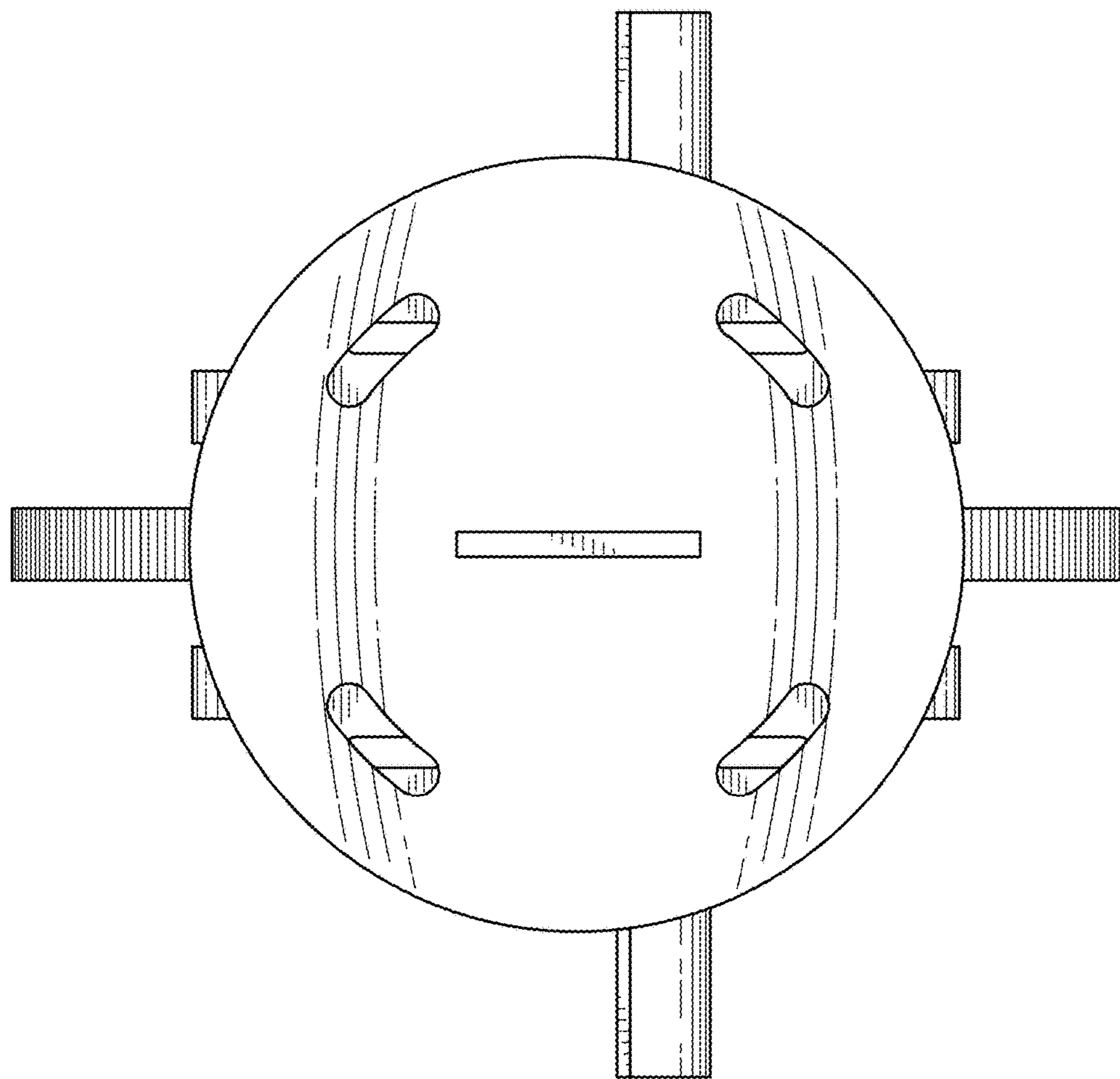


FIG. 7