



US00D832199S

(12) **United States Design Patent** (10) **Patent No.:** **US D832,199 S**
Boyce (45) **Date of Patent:** **** Oct. 30, 2018**

(54) **TIRE FLAG**
(71) Applicant: **Bruce Boyce**, Calgary (CA)
(72) Inventor: **Bruce Boyce**, Calgary (CA)
(**) Term: **15 Years**
(21) Appl. No.: **29/609,733**
(22) Filed: **Jul. 5, 2017**
(51) **LOC (11) Cl.** **12-15**
(52) **U.S. Cl.**
USPC **D12/604**
(58) **Field of Classification Search**
USPC D12/604-608, 400, 213; D20/22, 27
CPC F16F 15/324; F16F 15/345; F16B 2/10;
F16B 2/20; B60B 2310/306; B60B 15/28
See application file for complete search history.

(56) **References Cited**

U.S. PATENT DOCUMENTS

2,698,204	A *	12/1954	Poupitch	B60B 7/08 301/37.28
D272,368	S *	1/1984	Fontaine	D19/10
D342,284	S *	12/1993	McMarrell	D20/22
D385,579	S *	10/1997	McAuley	D20/27
D627,293	S *	11/2010	Watkin	D12/604
D627,294	S *	11/2010	Cowles	D12/607
D689,014	S *	9/2013	Cox	D12/608
D704,132	S *	5/2014	Curry	D12/607
D707,622	S *	6/2014	Curry	D12/608
2003/0047988	A1 *	3/2003	Wallach	B60B 7/105 301/37.102

2005/0062332	A1 *	3/2005	Amyot	F16F 15/324 301/5.21
2009/0127919	A1 *	5/2009	Burnett	F16F 15/324 301/5.21
2010/0117442	A1 *	5/2010	Halle	F16F 15/324 301/5.21
2010/0212117	A1 *	8/2010	Haase	B65D 63/1027 24/16 PB
2011/0260521	A1 *	10/2011	Watkin	F16F 15/324 301/5.21
2013/0276338	A1 *	10/2013	Amaral	G09F 21/043 40/299.01

* cited by examiner

Primary Examiner — George D. Kirschbaum
Assistant Examiner — Clese Moore, Jr.
(74) *Attorney, Agent, or Firm* — Orin Del Vecchio

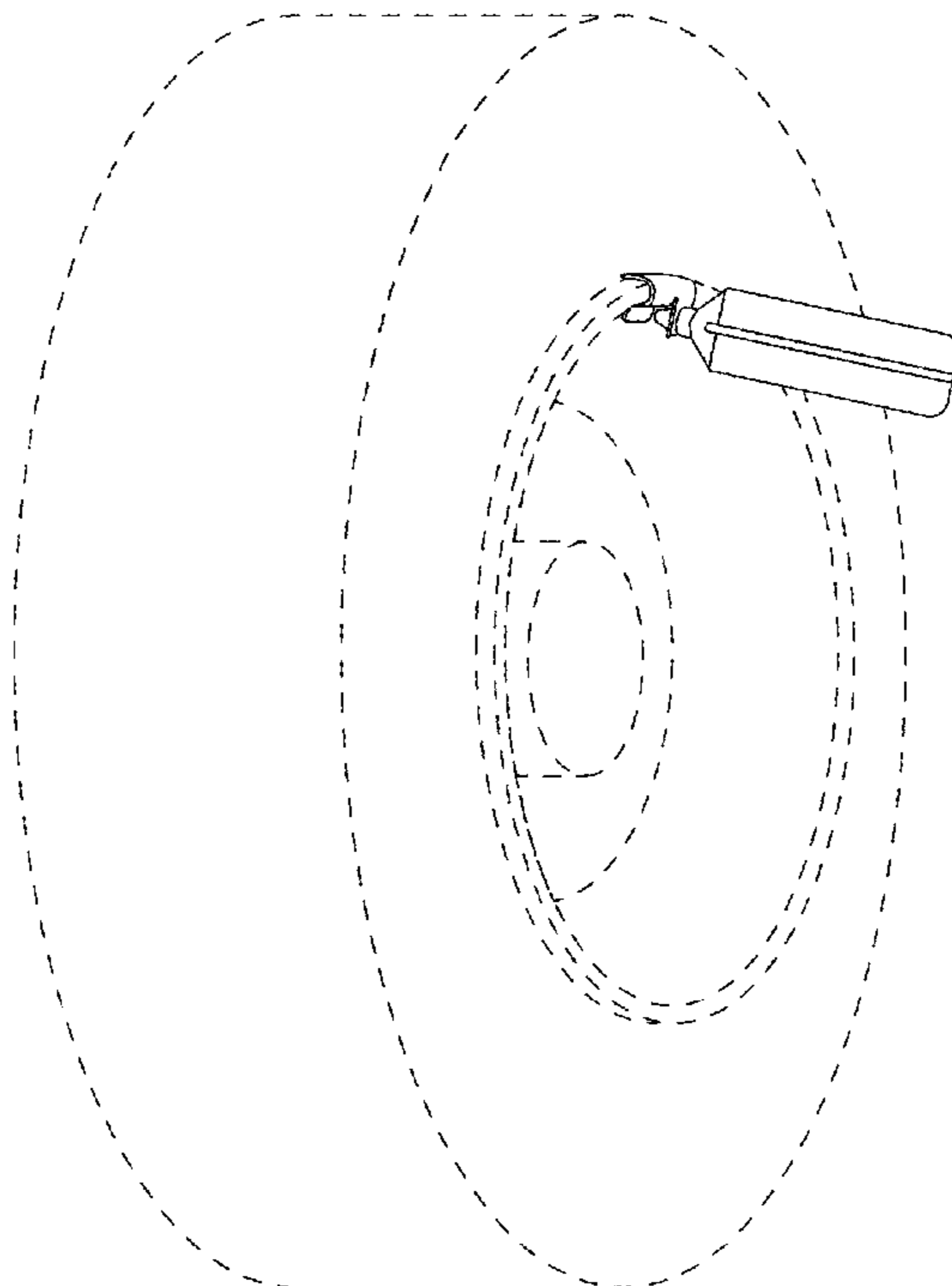
(57) **CLAIM**

The ornamental design for a tire flag, as shown and described.

DESCRIPTION

FIG. 1 is a perspective view of a tire flag shown secured to a vehicle tire;
FIG. 2 is a side view of the tire flag;
FIG. 3 is a top view of the tire flag, wherein the bottom view is a mirror image thereof;
FIG. 4 is a right side view of the tire flag; and,
FIG. 5 is a left side view of the tire flag.
The broken lines shown illustrate environment that form no part of the claimed design.

1 Claim, 4 Drawing Sheets



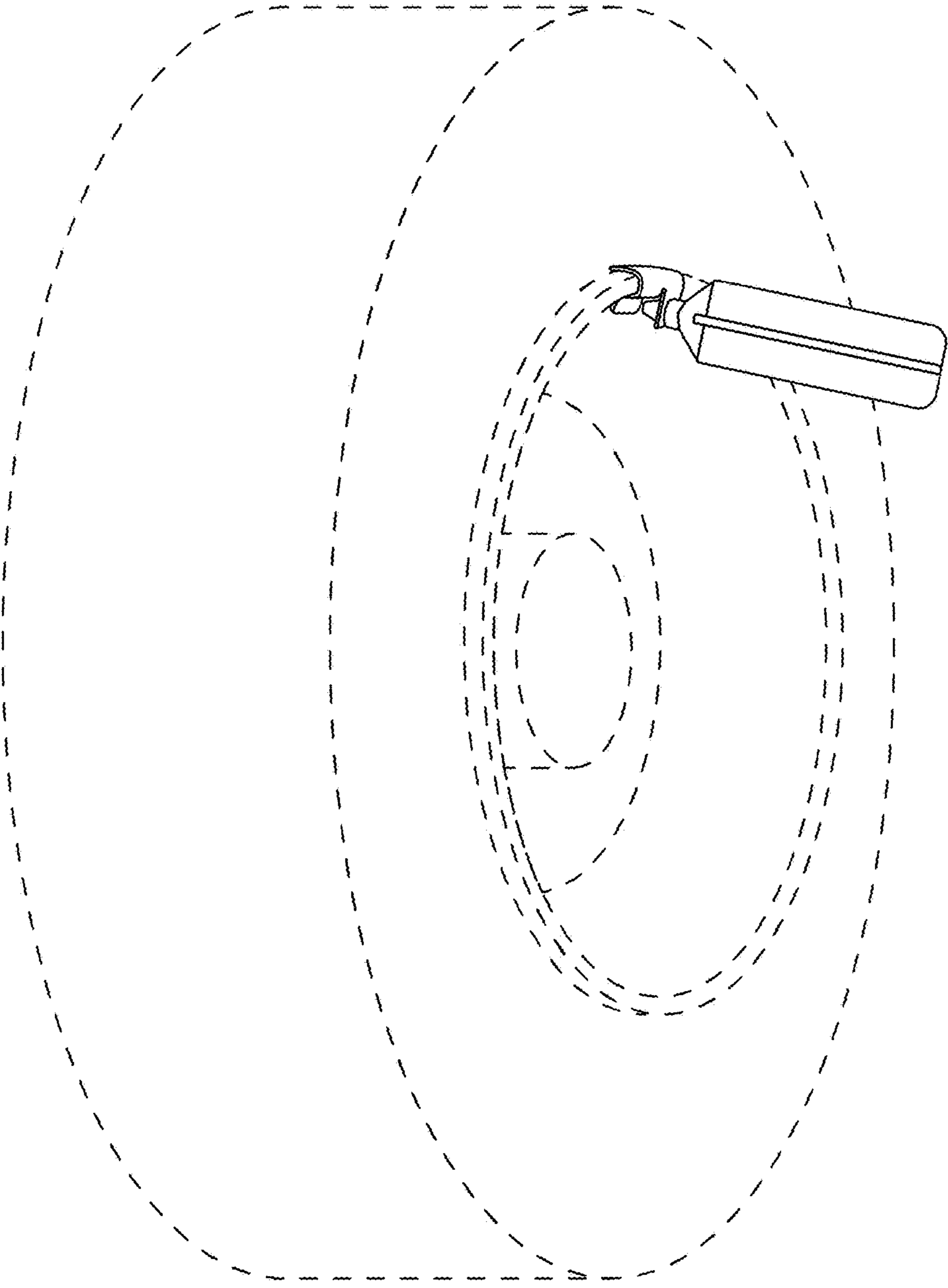


Figure 1

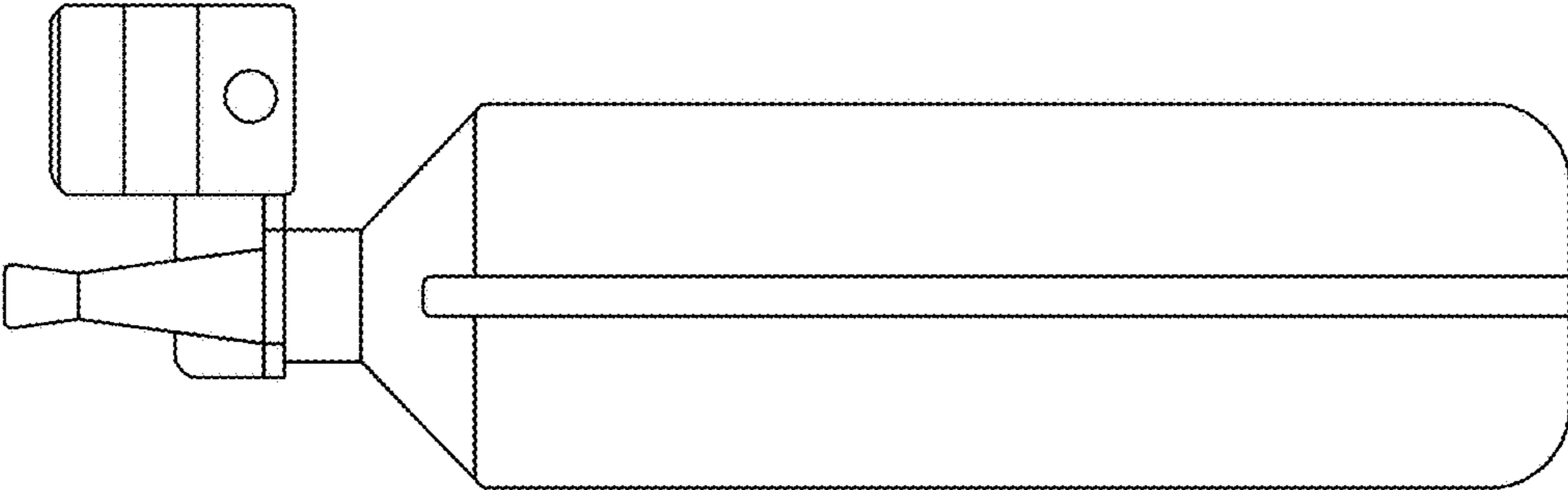


Figure 2

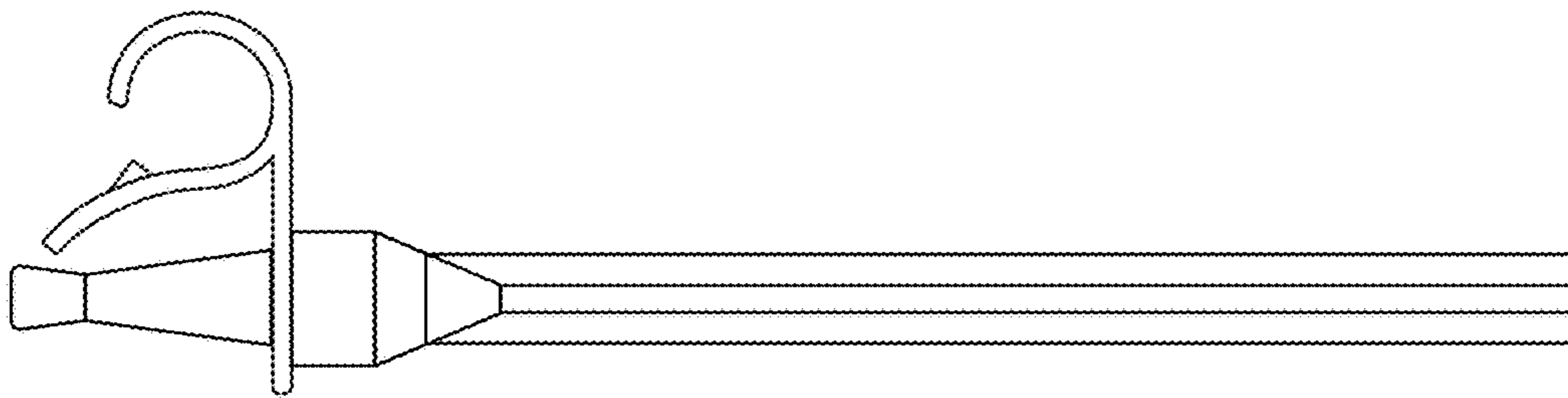


Figure 3

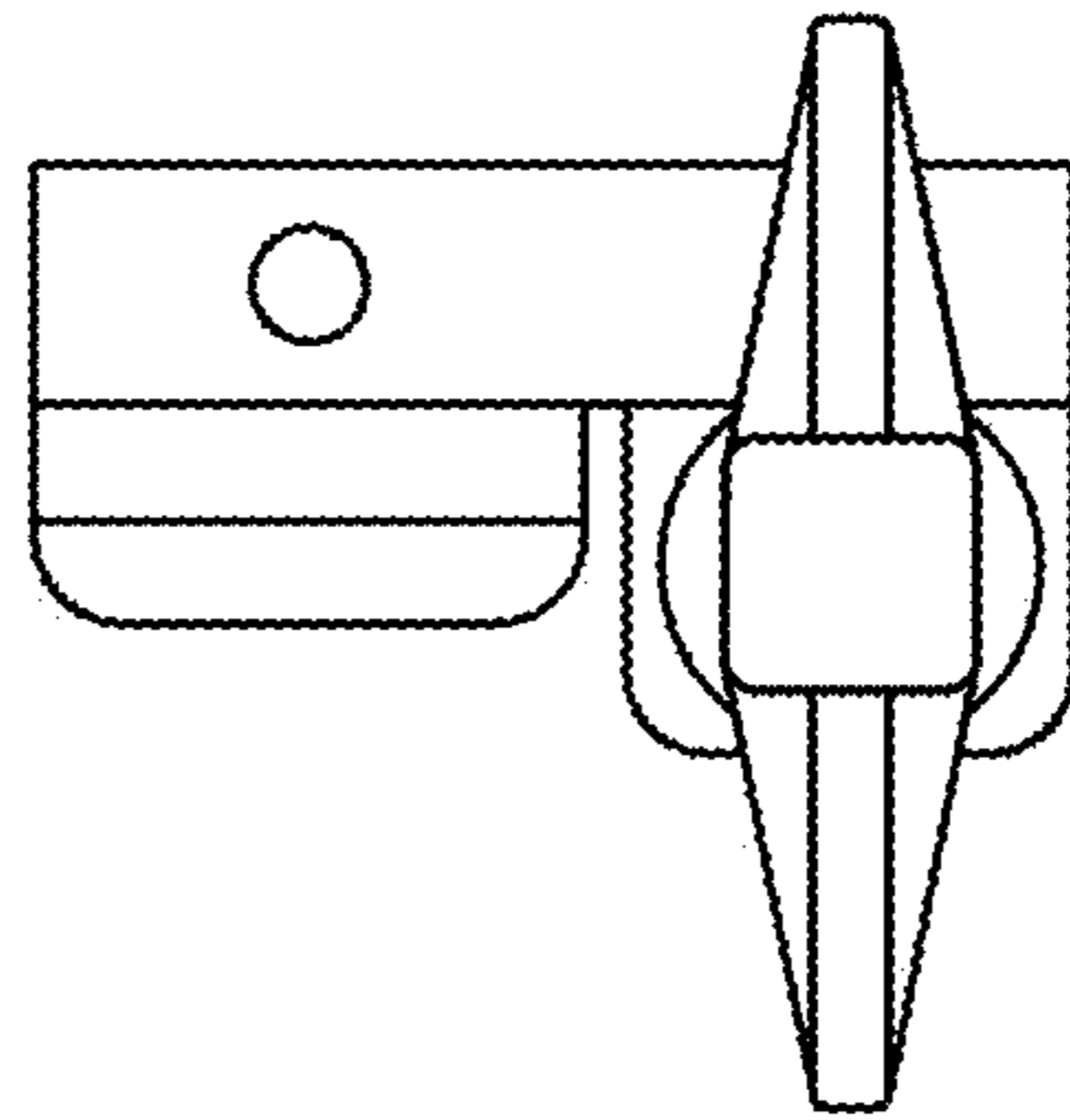


Figure 4

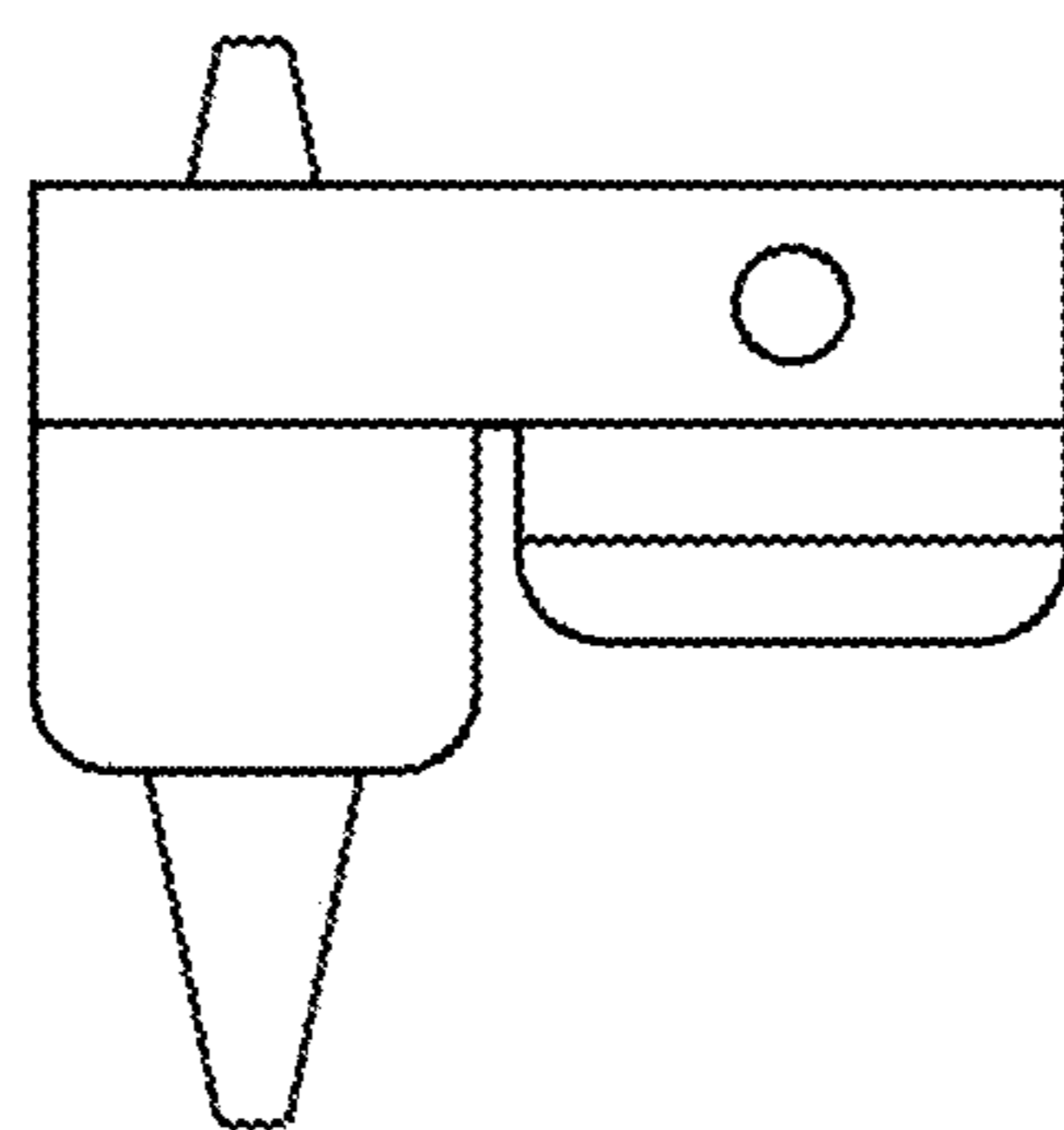


Figure 5