



US00D832191S

(12) **United States Design Patent**
Colombo et al.

(10) **Patent No.:** **US D832,191 S**
(45) **Date of Patent:** **** Oct. 30, 2018**

(54) **TIRE**

CPC B60C 1/00
See application file for complete search history.

(71) Applicant: **Pirelli Tyre S.p.A.**, Milan (IT)

(56) **References Cited**

(72) Inventors: **Gianfranco Colombo**, Milan (IT);
Roberto Bolzoni, Milan (IT); **Daniele Lorenzetti**, Milan (IT)

U.S. PATENT DOCUMENTS

(73) Assignee: **PIRELLI TYRE S.P.A.**, Milan (IT)

D60,692 S * 3/1922 Marquette D12/570
D727,838 S * 4/2015 Ochi D12/580
D816,019 S * 4/2018 Schimmoeller D12/580

(**) Term: **15 Years**

* cited by examiner

(21) Appl. No.: **29/560,791**

Primary Examiner — George D. Kirschbaum

(22) Filed: **Apr. 11, 2016**

(74) *Attorney, Agent, or Firm* — Finnegan, Henderson, Farabow, Garrett & Dunner, L.L.P.

Related U.S. Application Data

(62) Division of application No. 29/468,070, filed on Sep. 26, 2013, now Pat. No. Des. 754,587.

(57) **CLAIM**

The ornamental design for a tire, as shown and described.

(30) **Foreign Application Priority Data**

DESCRIPTION

Mar. 27, 2013 (EM) 002209775-0001
Mar. 27, 2013 (EM) 002209775-0002
Mar. 27, 2013 (EM) 002209775-0003
Mar. 27, 2013 (EM) 002209775-0004
Mar. 27, 2013 (EM) 002209775-0005
Mar. 27, 2013 (EM) 002209775-0006
Mar. 27, 2013 (EM) 002209775-0007
Mar. 27, 2013 (EM) 002209775-0008
Mar. 27, 2013 (EM) 002209775-0009
Mar. 27, 2013 (EM) 002209775-0010

FIG. 1 is a front perspective view of a tire, showing our new design, it being understood that the tread pattern is repeated throughout the circumference of the tire, the back perspective view being the same as that shown;

FIG. 2 is a front view thereof, with the rear view being identical;

FIG. 3 is a left side view thereof, with the right side view being identical; and,

FIG. 4 is an enlarged view of the tire of FIG. 2.

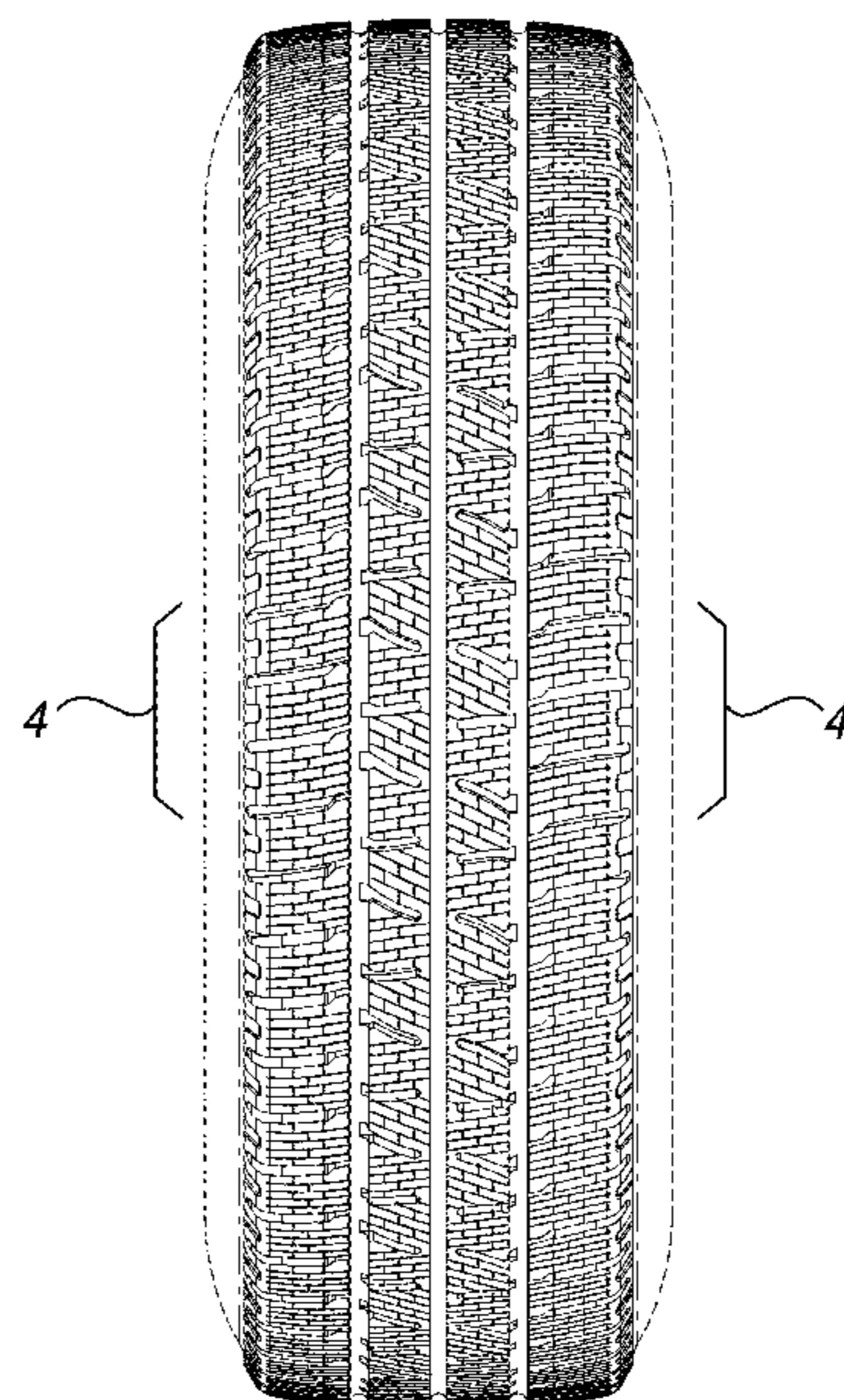
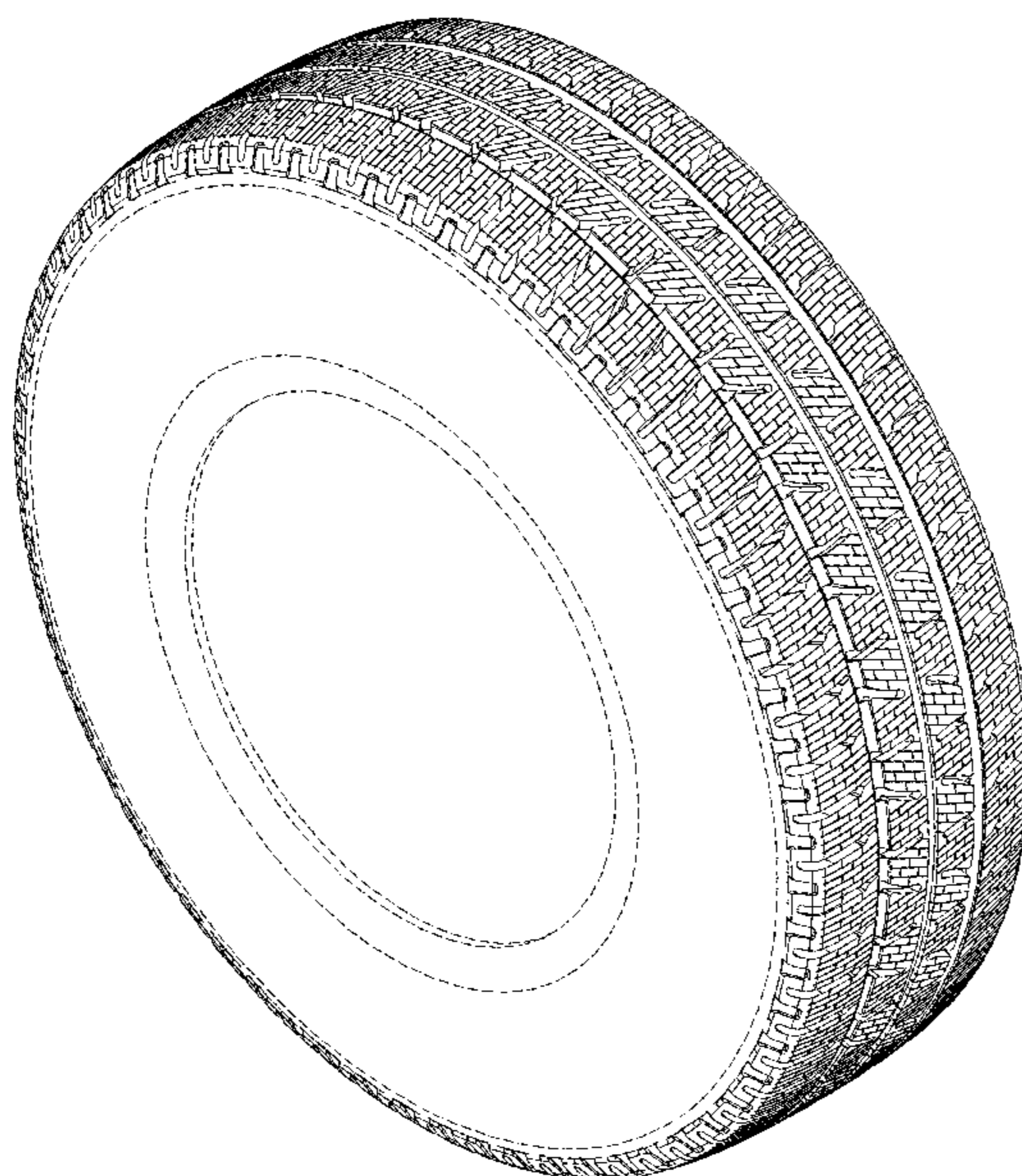
The portions depicted in broken lines of uneven length define the unclaimed boundary of the claimed design. The portions depicted in broken lines of even length are environment and form no part of the claimed design.

(51) **LOC (11) Cl.** **12-15**

(52) **U.S. Cl.**
USPC **D12/551**

(58) **Field of Classification Search**
USPC D12/581, 584; 152/209.1-209.2, 455,
152/523

1 Claim, 4 Drawing Sheets



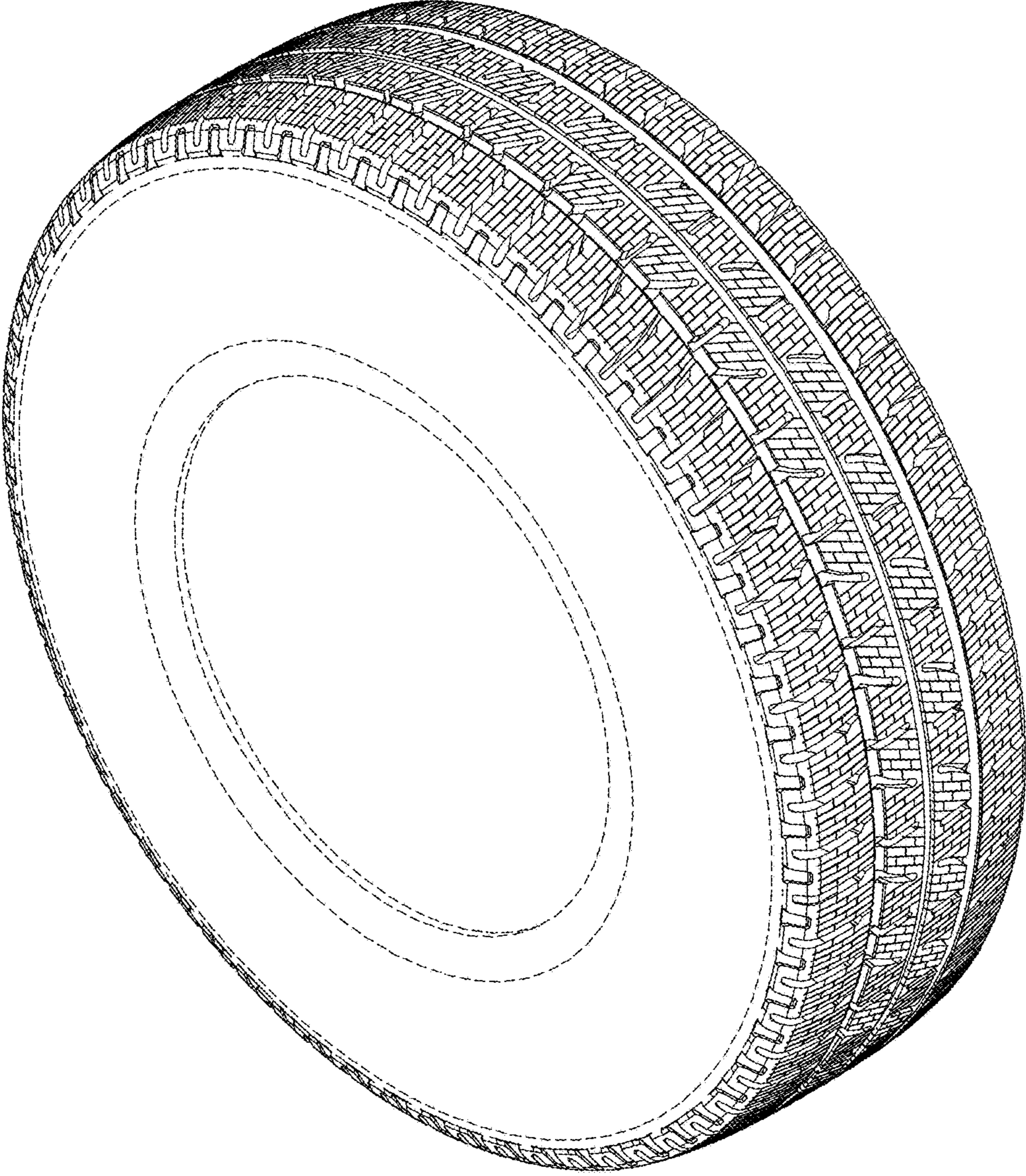


FIG. 1

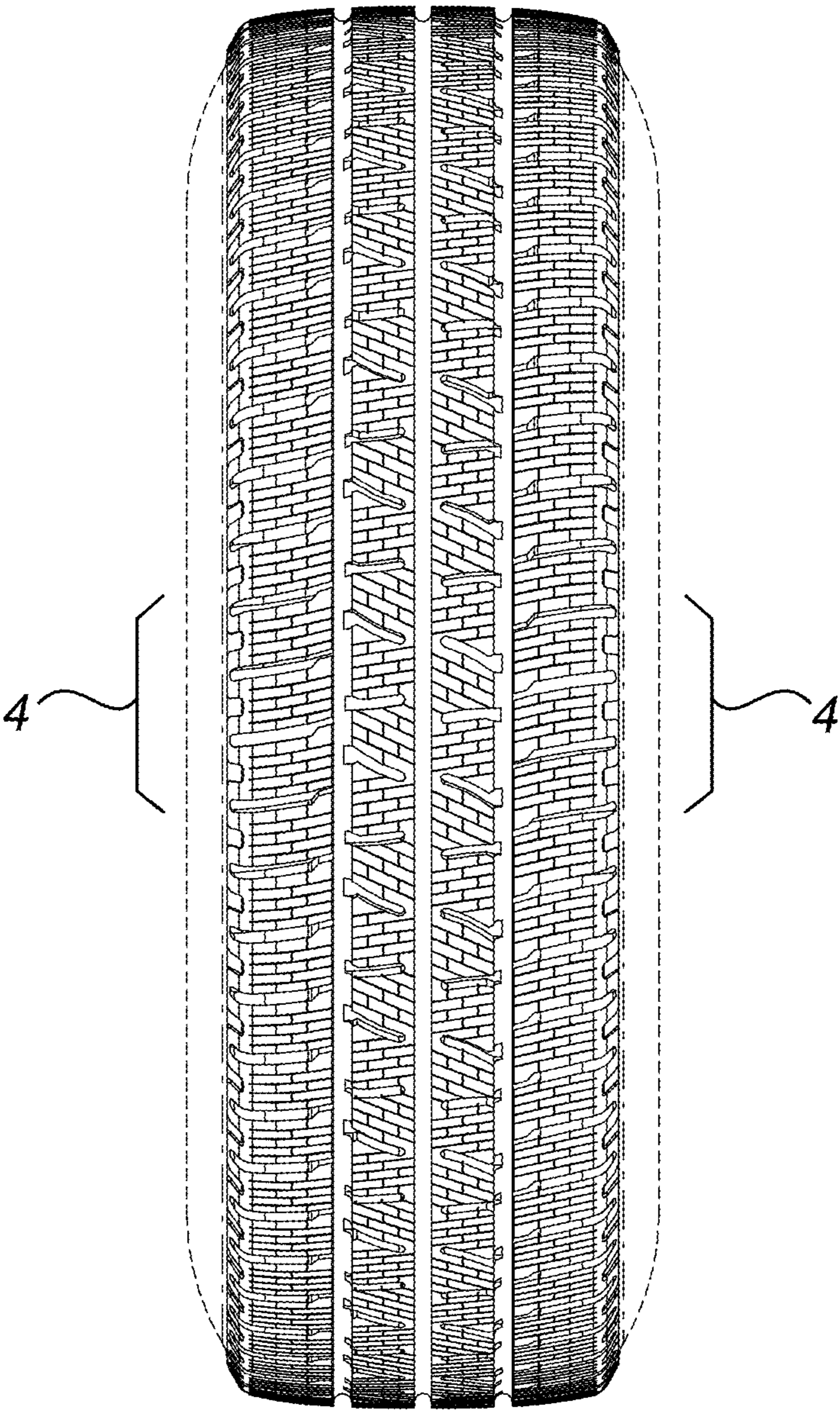


FIG. 2

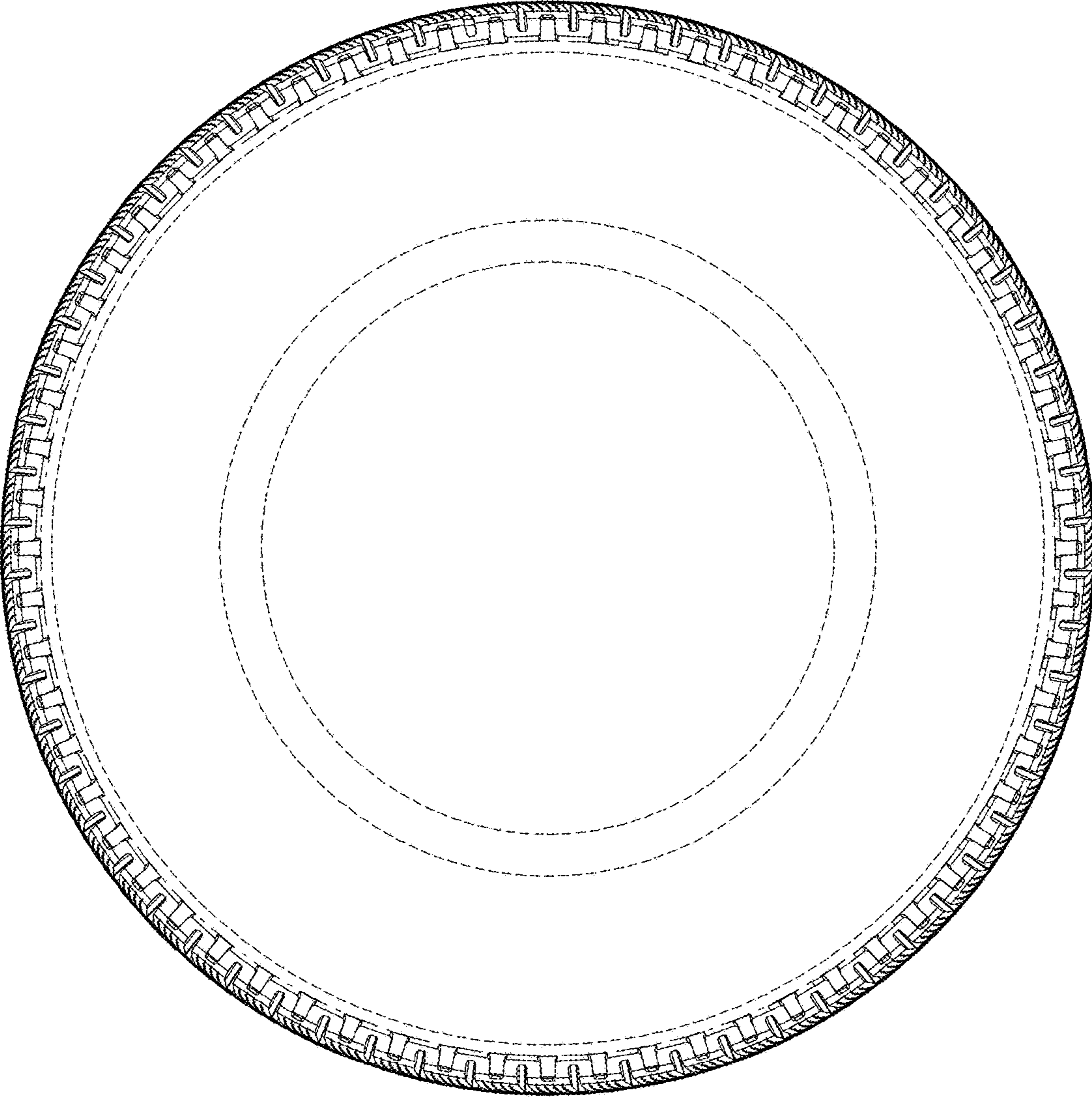


FIG. 3

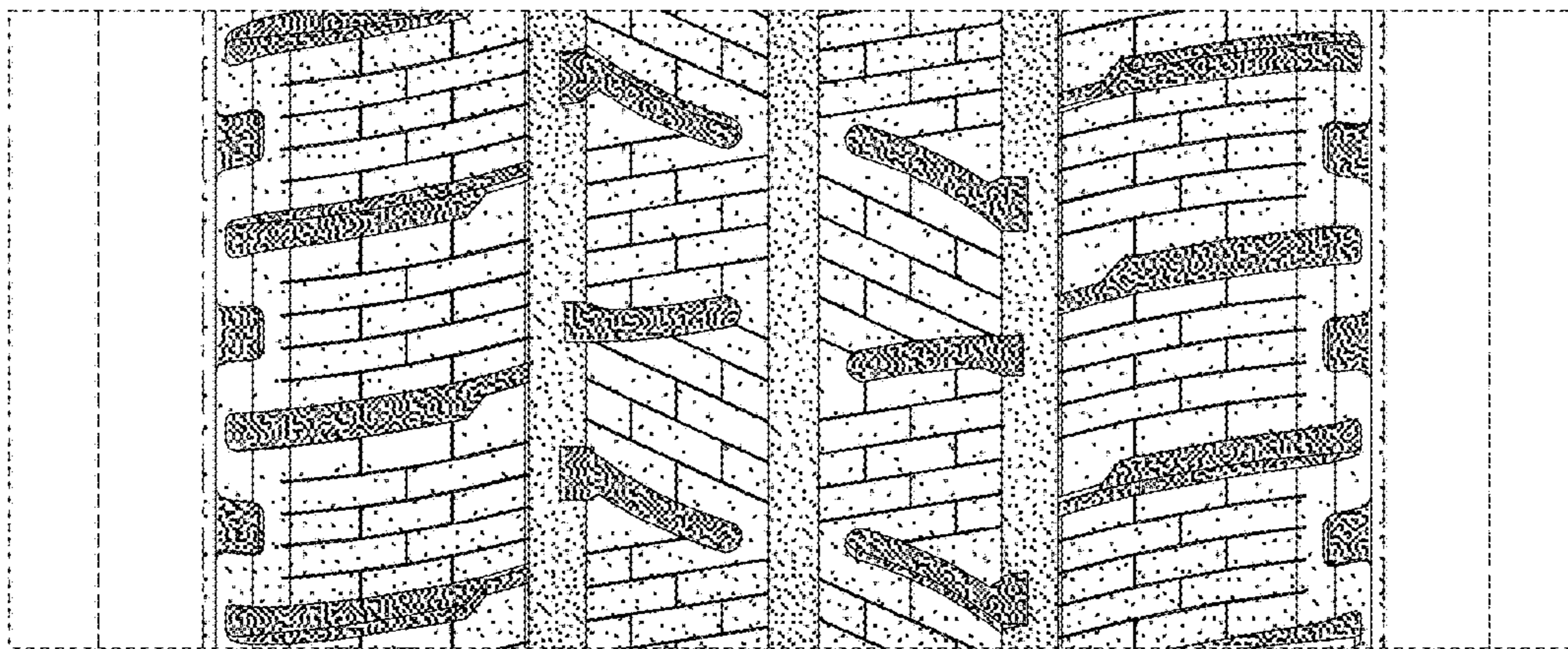


FIG. 4