



US00D832186S

(12) **United States Design Patent** (10) **Patent No.:** **US D832,186 S**
Stirnemann et al. (45) **Date of Patent:** **** Oct. 30, 2018**

(54) **VEHICLE INSPECTION SYSTEM CABINET**

9,377,379 B2 6/2016 Lee
9,677,874 B2 6/2017 Speckbacher et al.
D795,614 S * 8/2017 Thuma D6/671.1

(71) Applicant: **Hunter Engineering Company**, St. Louis, MO (US)

(72) Inventors: **Mark E. Stirnemann**, Arnold, MO (US); **Dennis M. Linson**, St. Charles, MO (US); **Michael T. Stieff**, Wentzville, MO (US)

(73) Assignee: **Hunter Engineering Company**, St. Louis, MO (US)

(**) Term: **15 Years**

(21) Appl. No.: **29/610,881**

(22) Filed: **Jul. 17, 2017**

(51) **LOC (11) Cl.** **12-16**

(52) **U.S. Cl.**
USPC **D12/415**; D6/663

(58) **Field of Classification Search**
USPC D6/559–561, 663, 664, 671.2, 699, 672, D6/673, 675, 684, 691, 669, 703; D21/686; D34/17–21, 78; D14/302, 305, D14/308, 314, 900; D3/304, 203.1, 295, D3/297; D23/286; D24/227–230; 361/679.02, 679.01, 679.08; D12/174, D12/114, 121, 125, 180, 415, 424
See application file for complete search history.

(56) **References Cited**

U.S. PATENT DOCUMENTS

D436,630 S * 1/2001 Gonsiorowski D20/10
D637,594 S * 5/2011 Carpenter, Jr. D14/307
D664,790 S * 8/2012 Christopher D6/670
D734,314 S * 7/2015 Swaine D14/307
D752,032 S * 3/2016 Taylor D14/307

OTHER PUBLICATIONS

Banalogic Corporation, Fastlign—The Gold Standard in Vehicle Alignment and Tracking Verification, Product Literature, Oct. 2013 (4 pages).

* cited by examiner

Primary Examiner — Abraham Bahta

(74) *Attorney, Agent, or Firm* — Sandberg Phoenix & von Gontard, P.C.

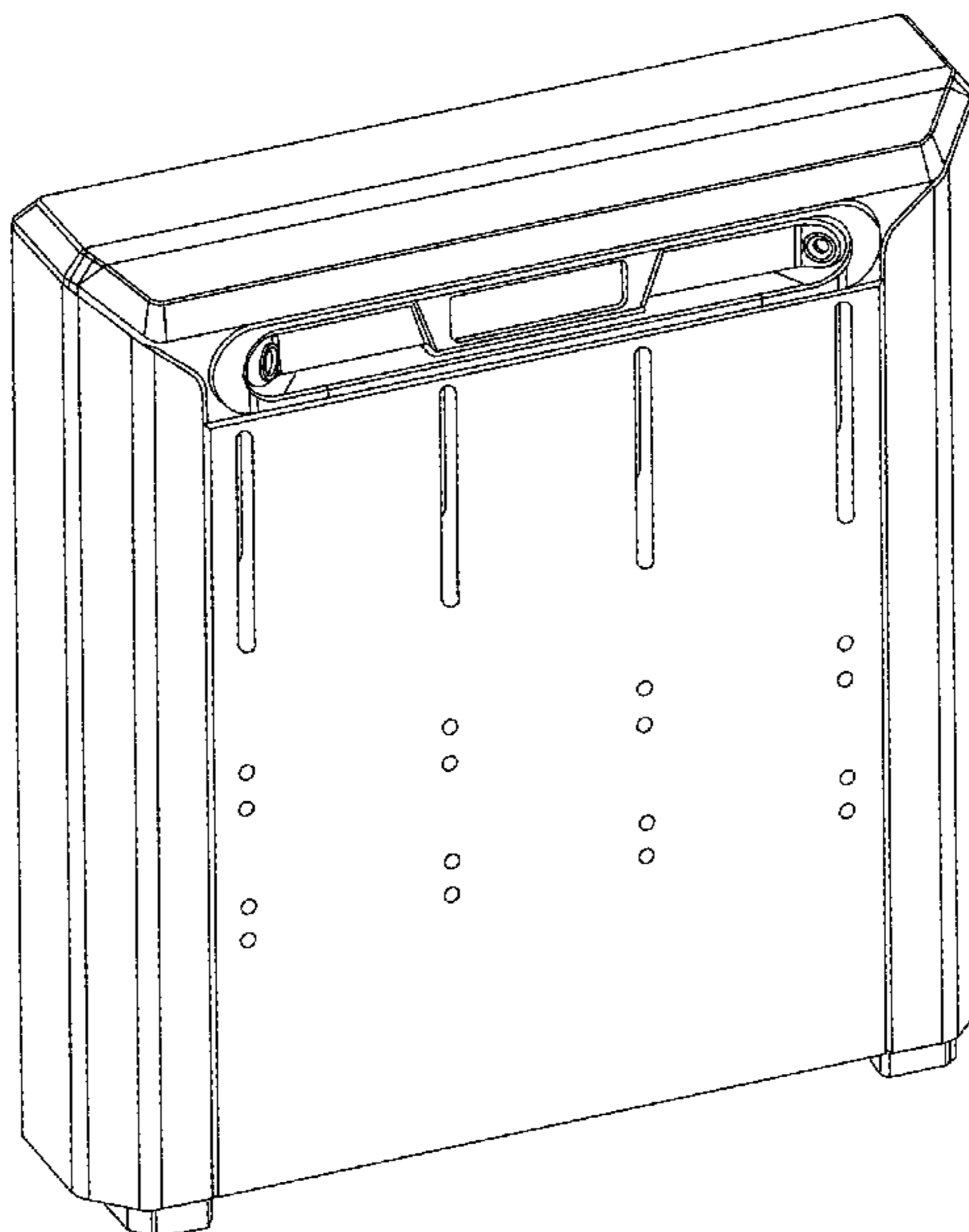
(57) **CLAIM**

The ornamental design for the vehicle inspection system cabinet, as shown and described.

DESCRIPTION

FIG. 1 is a front perspective view of a vehicle inspection system cabinet;
FIG. 2 is a rear perspective view of the vehicle inspection system cabinet;
FIG. 3 is a front plan view of the vehicle inspection system cabinet;
FIG. 4 is rear plan view of the vehicle inspection system cabinet;
FIG. 5 is a right side plan view of the vehicle inspection system cabinet;
FIG. 6 is a left side plane view of the vehicle inspection system cabinet;
FIG. 7 is a top plan view of the vehicle inspection system cabinet; and,
FIG. 8 is a bottom plane view of the vehicle inspection system cabinet.

1 Claim, 6 Drawing Sheets



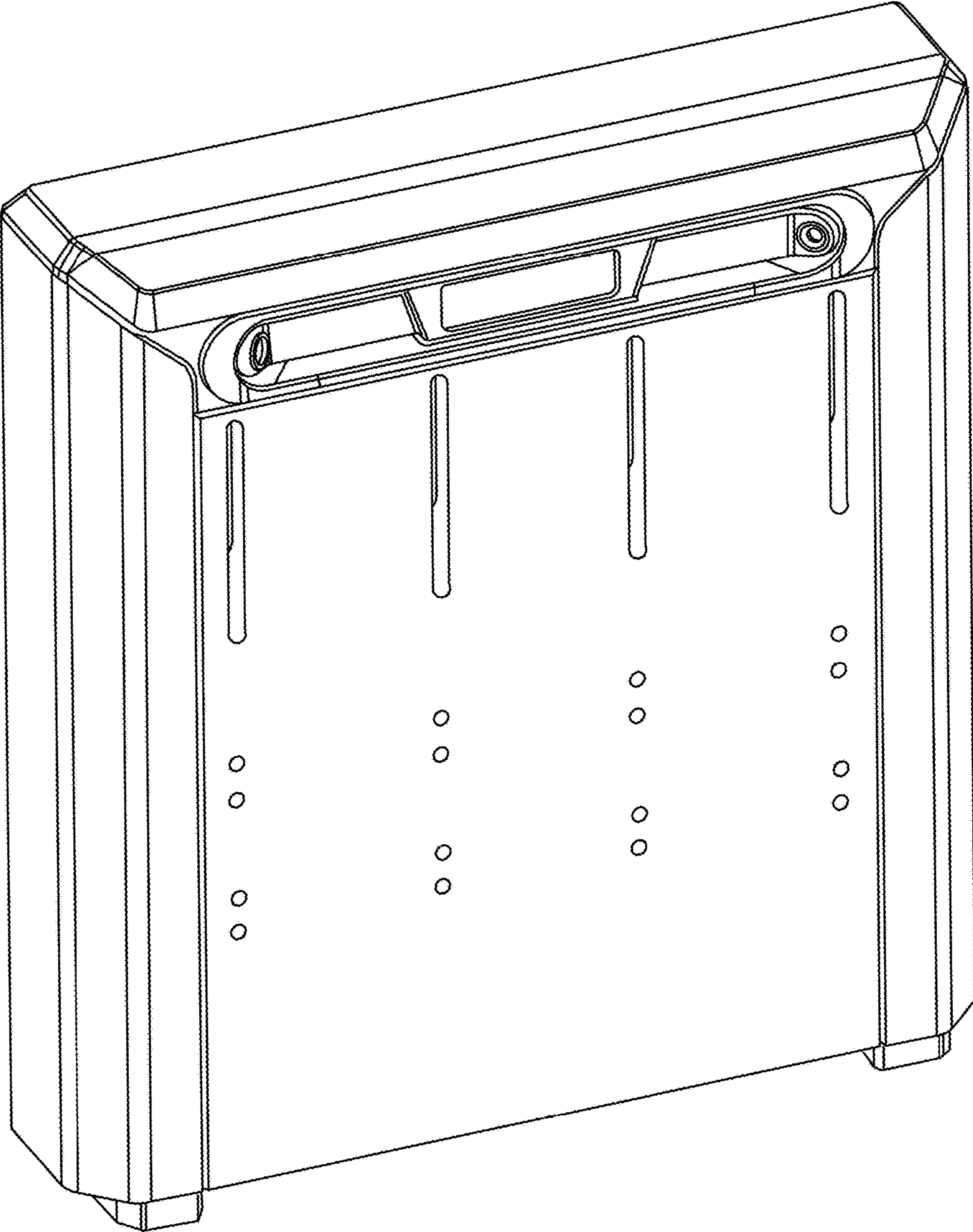


FIG. 1

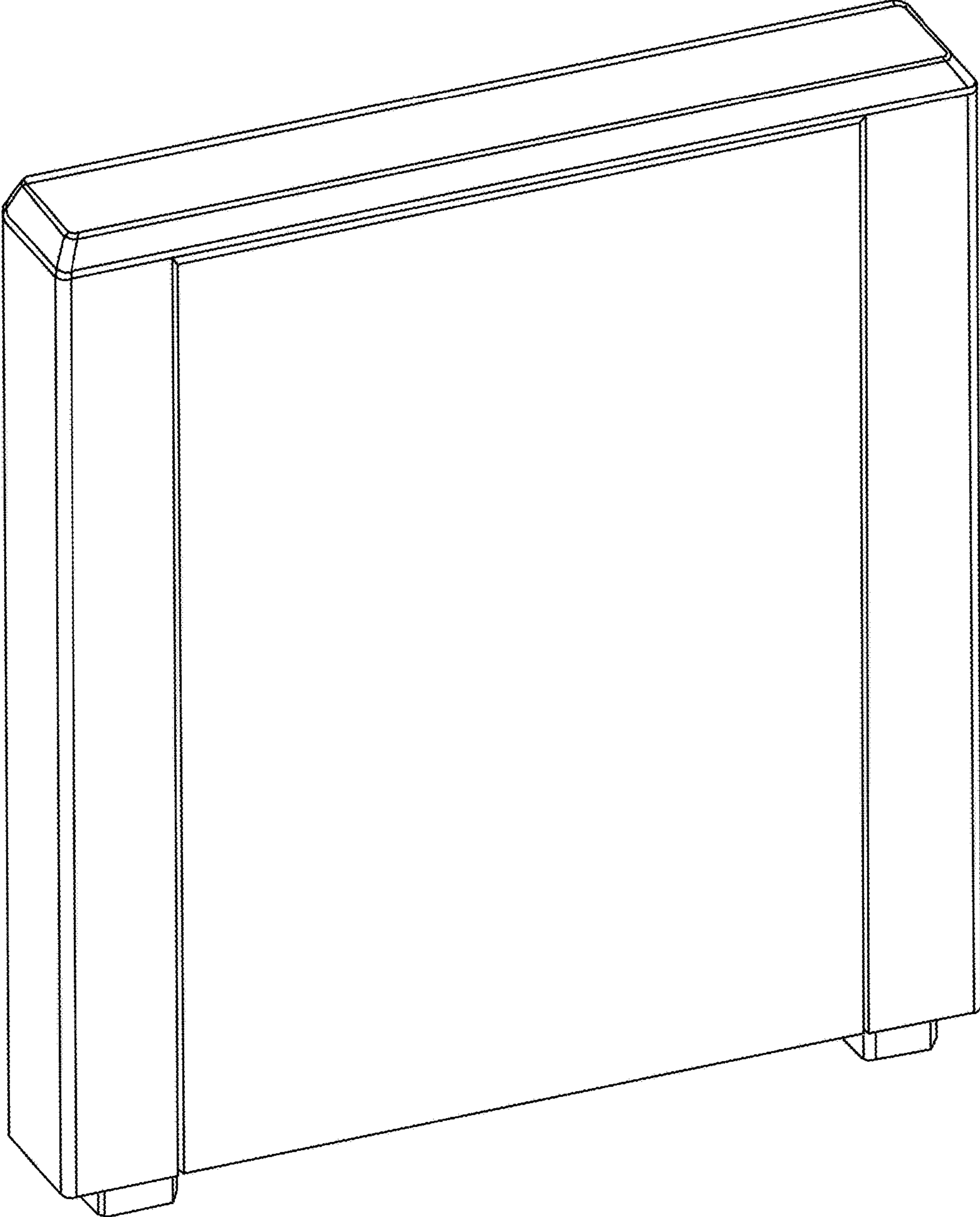


FIG. 2

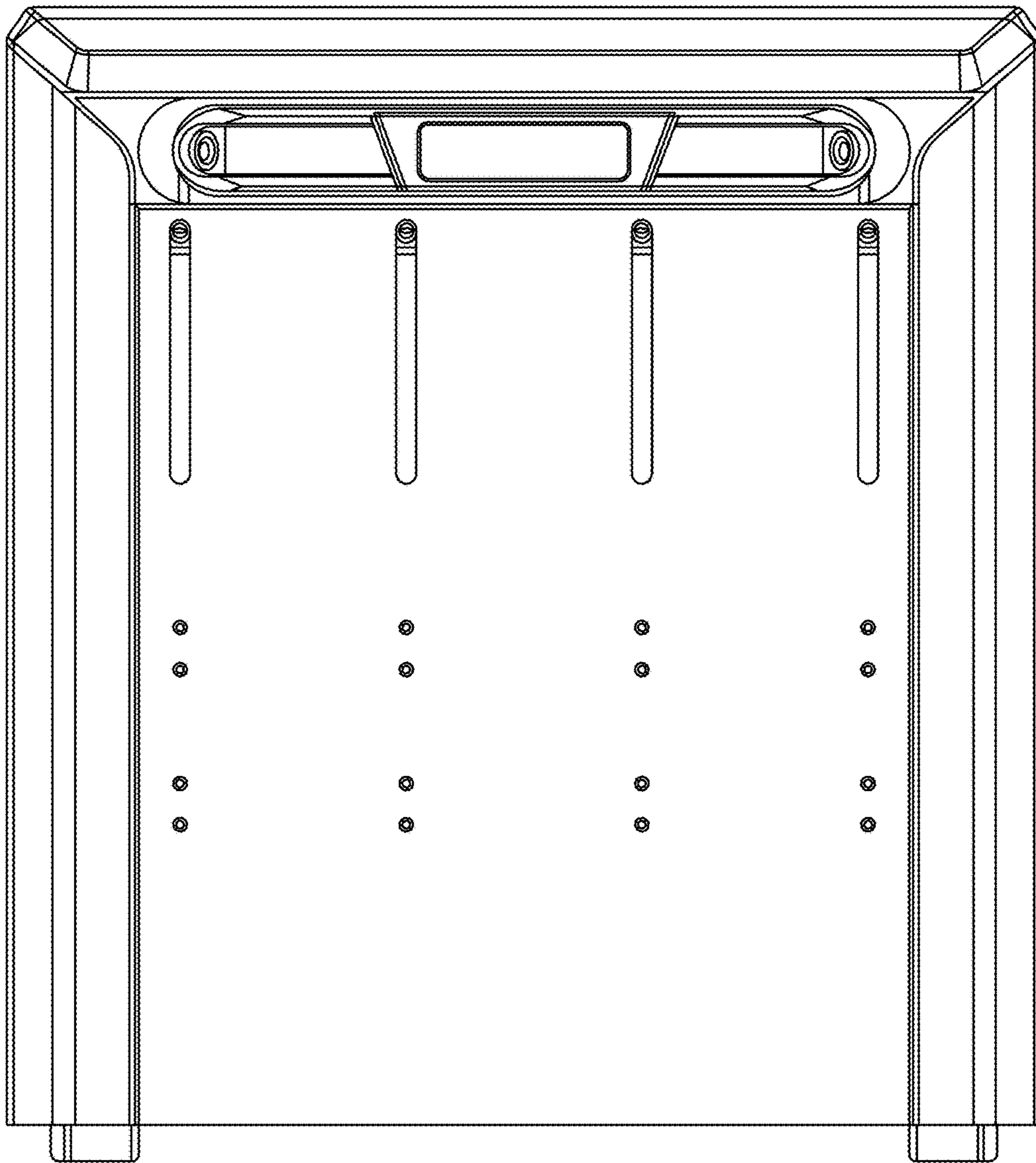


FIG. 3

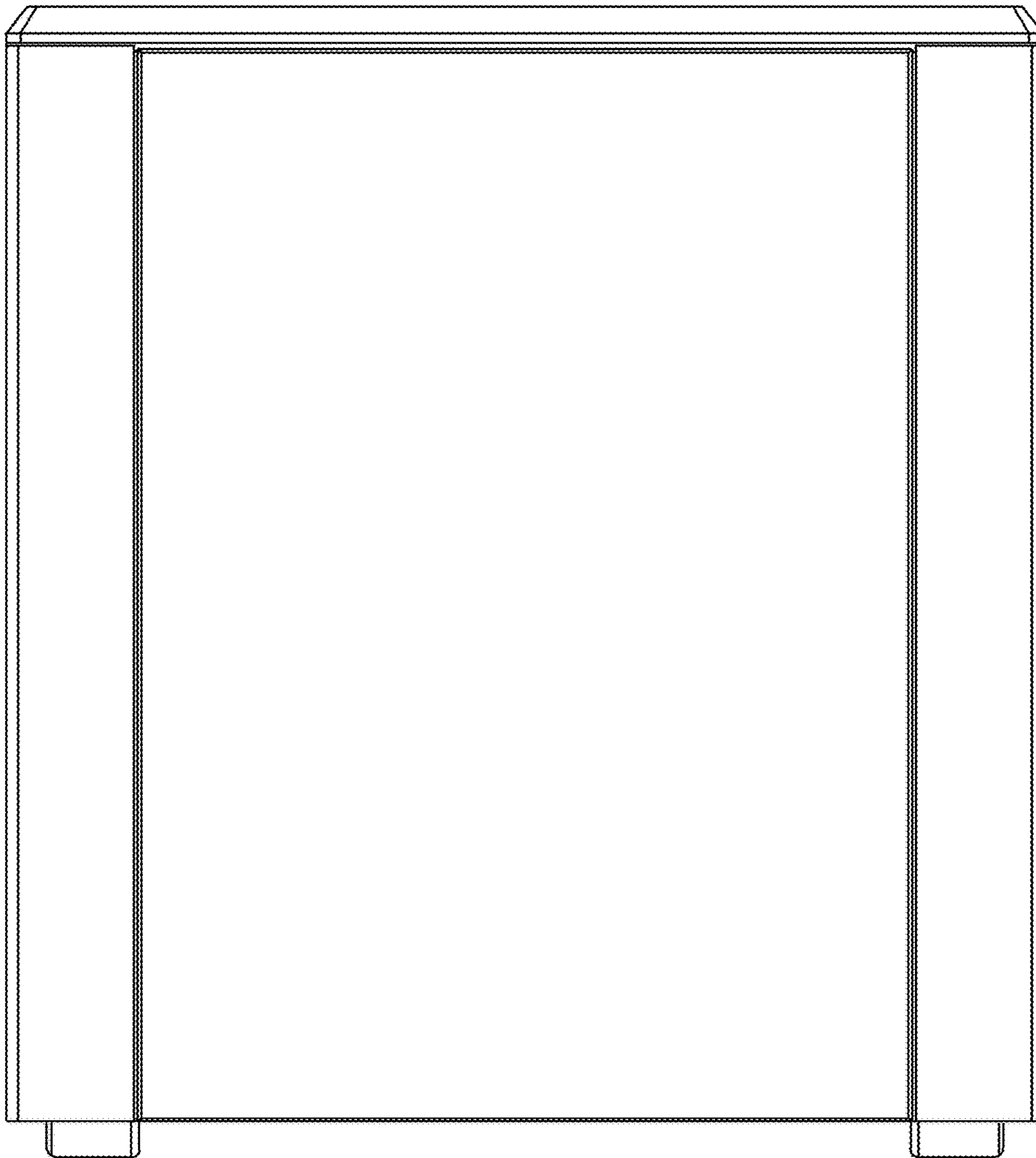


FIG. 4

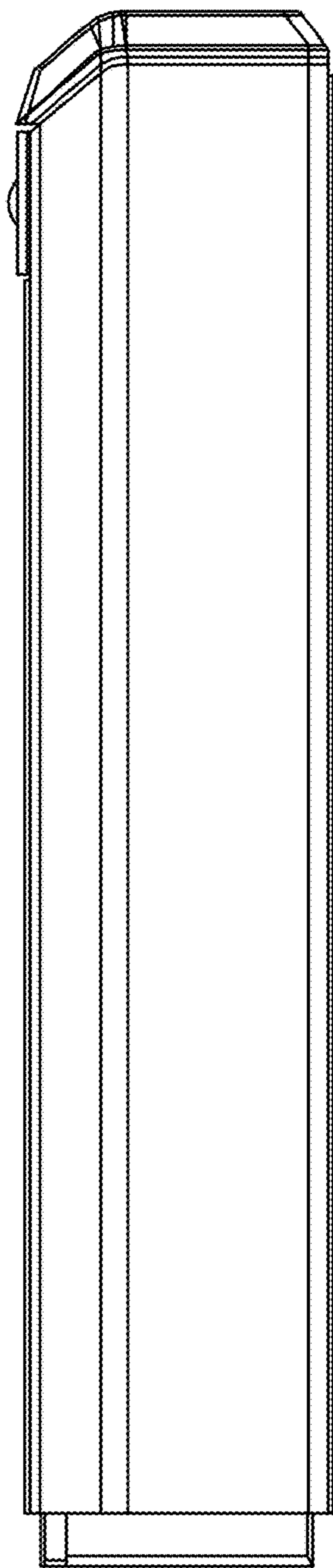


FIG. 5

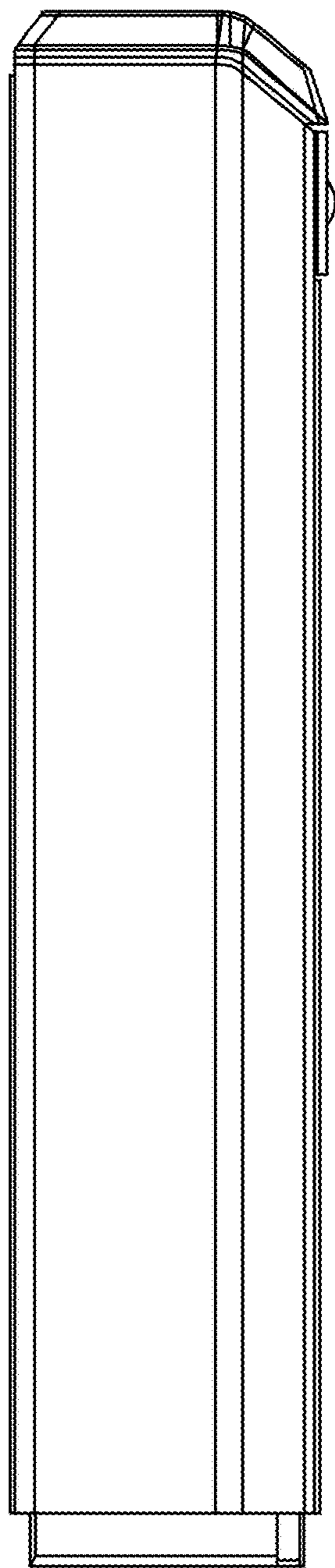


FIG. 6

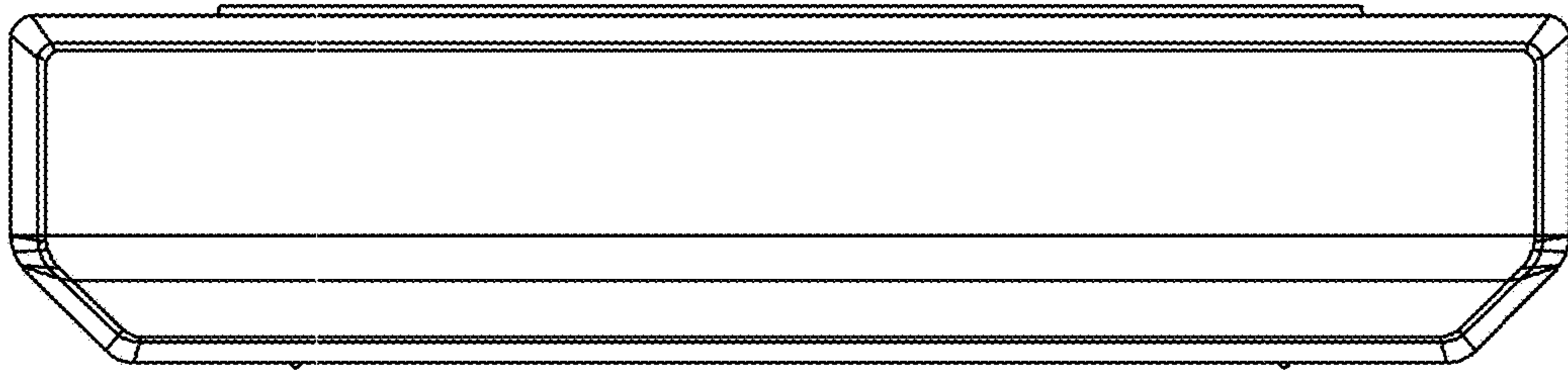


FIG. 7



FIG. 8