



US00D832185S

(12) **United States Design Patent** (10) **Patent No.:** **US D832,185 S**
McIntire (45) **Date of Patent:** **** Oct. 30, 2018**

(54) **VEHICLE TOP**
(71) Applicant: **David Blair McIntire**, Grants Pass, OR (US)
(72) Inventor: **David Blair McIntire**, Grants Pass, OR (US)
(**) Term: **15 Years**
(21) Appl. No.: **29/611,131**
(22) Filed: **Jul. 19, 2017**
(51) **LOC (11) Cl.** **12-16**
(52) **U.S. Cl.**
USPC **D12/401**
(58) **Field of Classification Search**
USPC D12/401-405; D6/610, 611, 596,
D6/601-603, 615, 617, 621; D7/332,
D7/334-337
CPC ... B62J 19/00; B62J 19/18; B62J 19/26; B62J
19/24; B62J 19/28; B62J 19/22
See application file for complete search history.

D330,350 S * 10/1992 Maypole D12/16
5,205,607 A * 4/1993 Takeuchi B60J 7/106
296/102
5,738,405 A * 4/1998 Richters B60J 1/085
296/146.15
D431,018 S * 9/2000 Maypole D12/401
6,851,739 B2* 2/2005 Morley B60J 1/08
280/756
D586,721 S * 2/2009 Hildebrand D12/401
D665,722 S * 8/2012 Fujita D12/401
D678,173 S 3/2013 McIntire
2010/0045075 A1* 2/2010 Mack B62D 25/06
296/215

* cited by examiner

Primary Examiner — Katrina A Betton
(74) *Attorney, Agent, or Firm* — Jennifer Meredith, Esq.;
Lippes, Matthias, Wexler, Friedman, LLP

(57) **CLAIM**

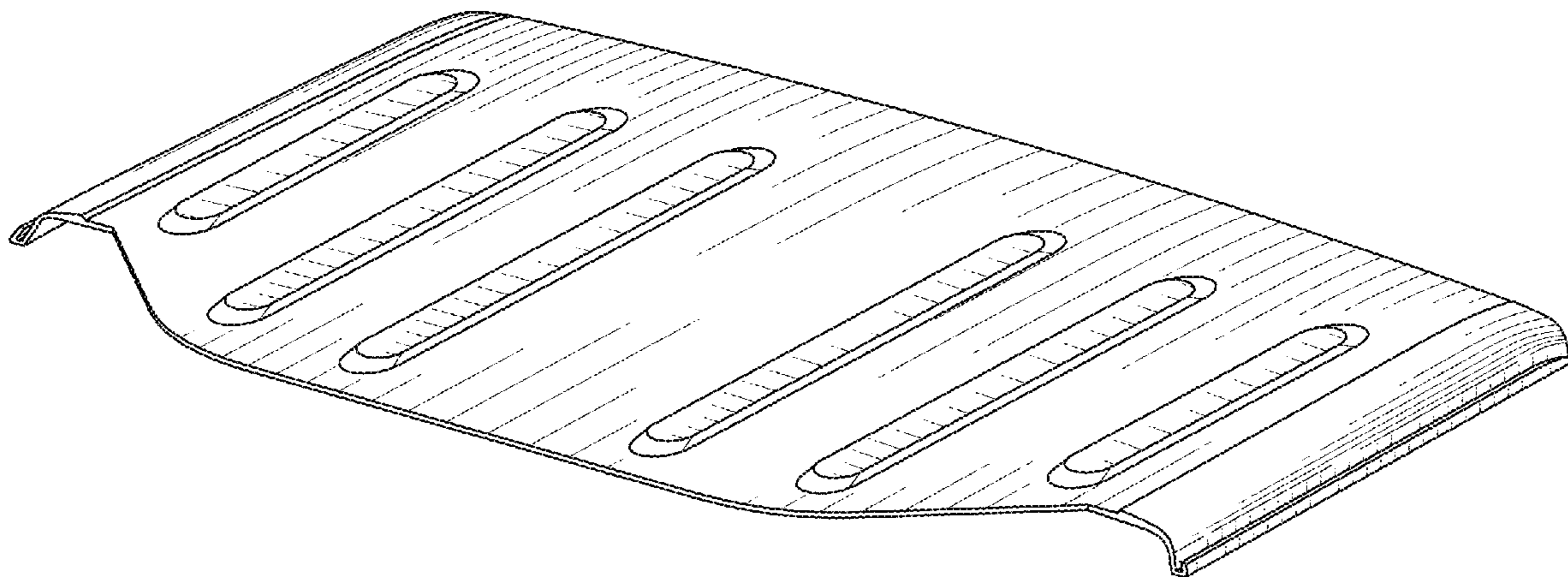
The ornamental design for a vehicle top, as shown and described.

DESCRIPTION

FIG. 1 is a top perspective view of a vehicle top showing the new design;
FIG. 2 is a top view thereof;
FIG. 3 is a bottom view thereof;
FIG. 4 is a left side view thereof;
FIG. 5 is a right side view thereof;
FIG. 6 is a front view thereof; and,
FIG. 7 is a rear view thereof.

1 Claim, 3 Drawing Sheets

(56) **References Cited**
U.S. PATENT DOCUMENTS
2,946,624 A * 7/1960 Barenji B62D 29/04
296/215
D245,592 S * 8/1977 Davidson D12/16
4,095,841 A * 6/1978 Thompson B60J 7/106
296/215
4,149,750 A * 4/1979 Thompson B60J 7/106
296/215
5,094,500 A * 3/1992 Maypole B60J 7/00
280/DIG. 5



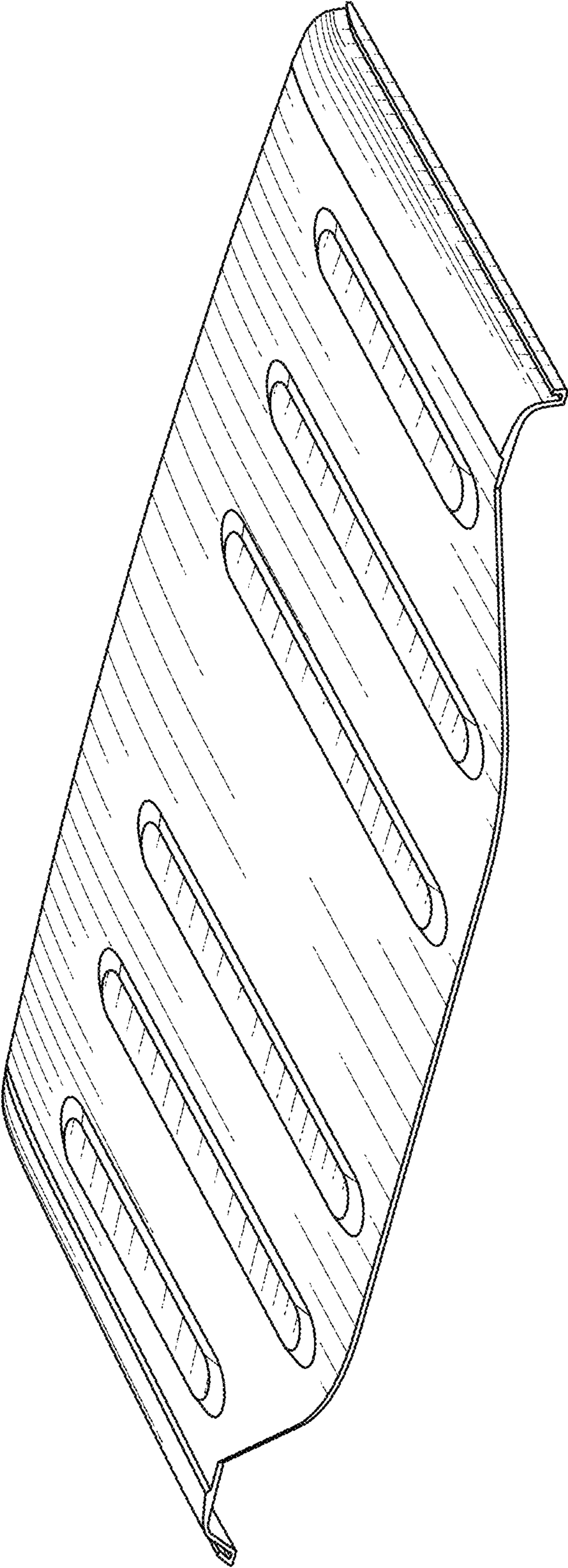


FIG. 1

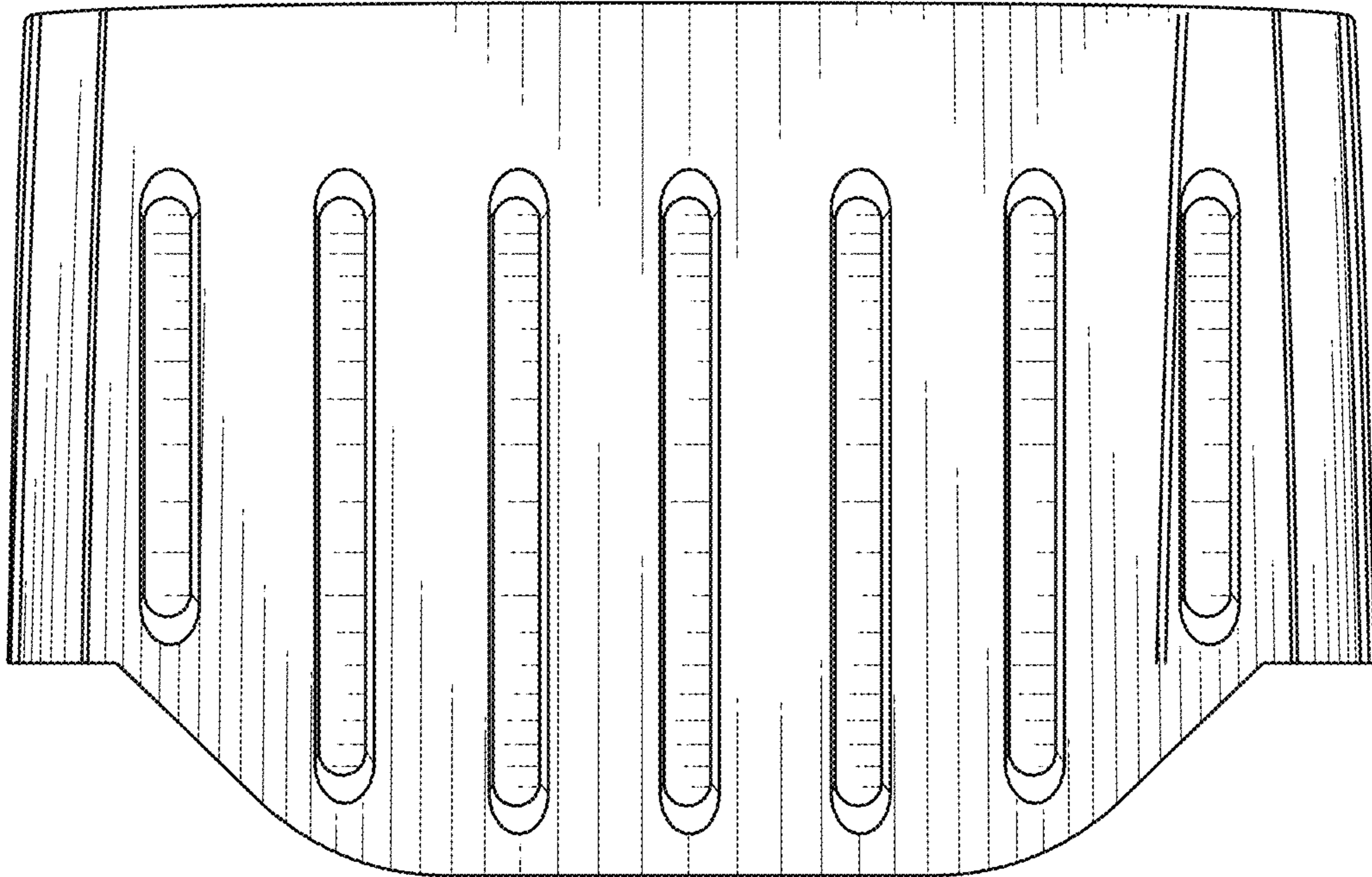


FIG. 2

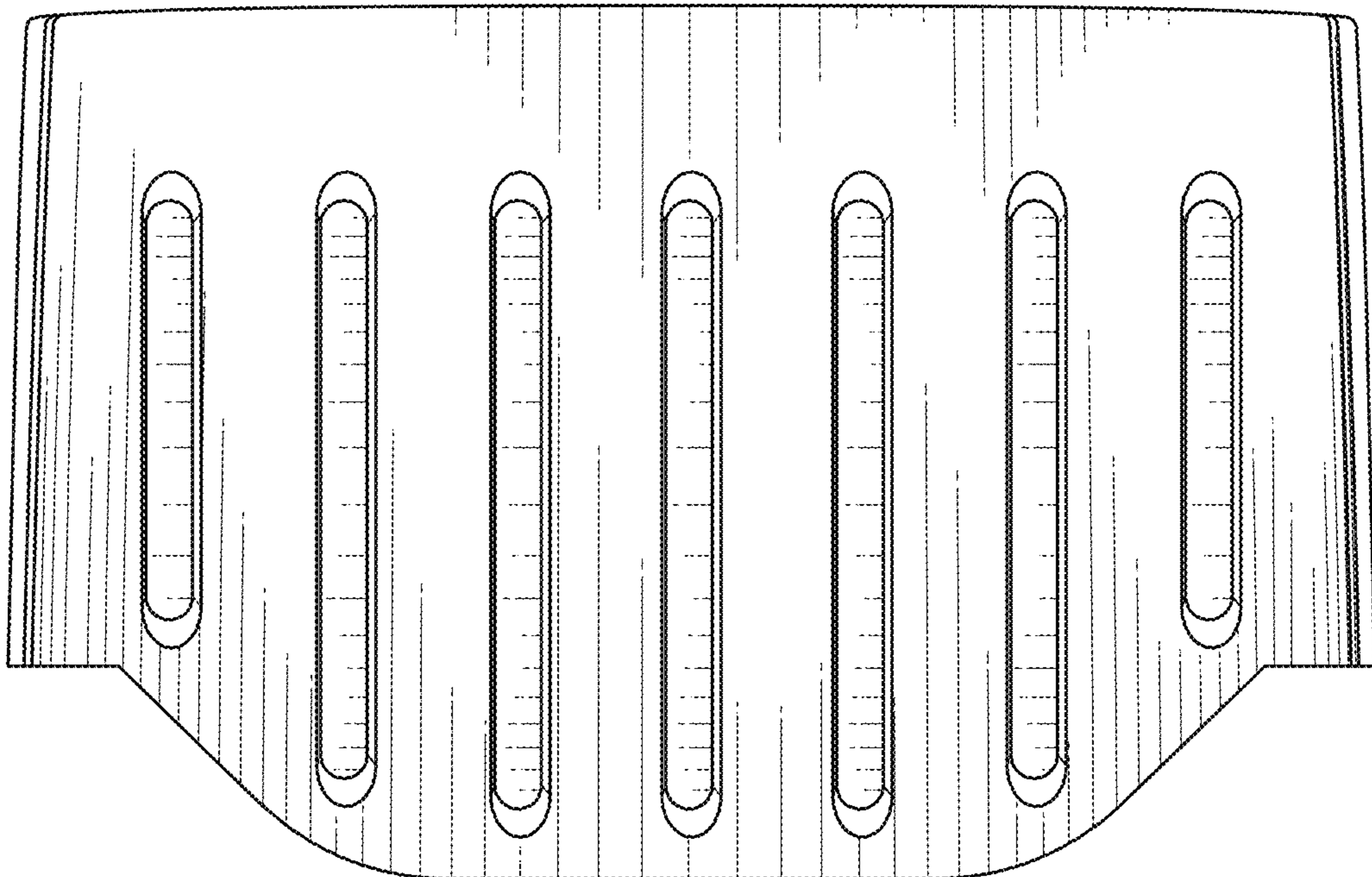


FIG. 3

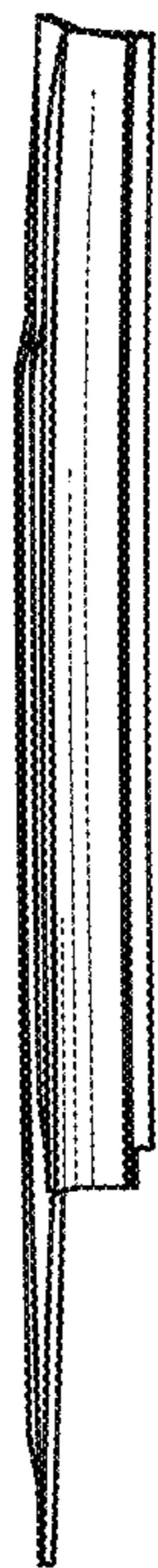


FIG. 4



FIG. 5



FIG. 6

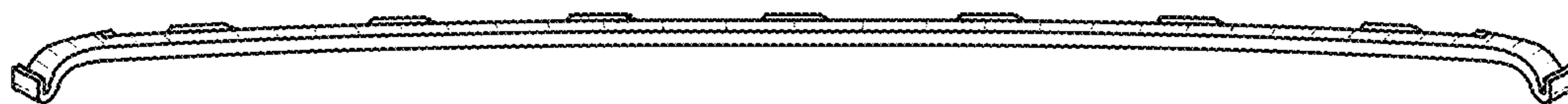


FIG. 7