



US00D832184S

(12) **United States Design Patent**
Woolstencroft

(10) **Patent No.:** **US D832,184 S**

(45) **Date of Patent:** **** Oct. 30, 2018**

(54) **MASKING DEVICE**

11/14; F16L 3/223; H02G 1/08; H02G 1/081;

(71) Applicant: **Typhoon Performance Products Limited**, Poulton (GB)

(Continued)

(72) Inventor: **David Harold Woolstencroft**, Lancashire (GB)

(73) Assignee: **TYPHOON PERFORMANCE PRODUCTS LIMITED**, Poulton (GB)

(**) Term: **15 Years**

(21) Appl. No.: **29/614,134**

(22) Filed: **Aug. 16, 2017**

(51) **LOC (11) Cl.** **12-16**

(52) **U.S. Cl.**
USPC **D12/400**

(58) **Field of Classification Search**
USPC D8/356, 382; D12/159, 162, 168, 169, D12/172, 174, 182, 190, 215, 223, 400, D12/406, 408, 412, 414, 415, 420, 426
CPC A47B 57/18; A47B 57/265; A47B 57/545; A47B 57/565; A47B 81/005; A47B 96/1416; A47B 96/1466; A47B 96/1475; A47B 96/1483; A47F 5/06; A61M 25/002; A61B 90/57; A63B 63/004; B60N 2/5825; B60R 7/02; B60R 7/04; B60R 7/043; B60R 7/08; B60R 7/14; B60R 13/013; B60R 19/023; B60R 19/24; B60R 19/56; B65D 11/1833; B65D 11/186; B65D 11/1873; B65D 13/00; B65H 75/143; B65H 75/40; B62D 33/0273; B68G 7/12; E04D 13/1656; F16B 21/071; F16B 21/073; F16B 5/0642; F16G 11/00; F16G 11/10; F16G

(56) **References Cited**

U.S. PATENT DOCUMENTS

4,822,650 A * 4/1989 Horiki B05B 12/26 428/34.2
4,879,158 A * 11/1989 Horiki B05B 12/26 428/159

(Continued)

FOREIGN PATENT DOCUMENTS

CN 2682238 Y 3/2005
CN 202811759 U 3/2013

(Continued)

OTHER PUBLICATIONS

Rubber screw plugs, image post date 1999, site visited Jul. 10, 2018, (online), <<https://www.alibaba.com/showroom/rubber-screw-plug.html>>.*

(Continued)

Primary Examiner — Kevin K Rudzinski
Assistant Examiner — Sean D Lough
(74) *Attorney, Agent, or Firm* — Michael Best & Friedrich LLP

(57) **CLAIM**

I claim the ornamental design for a masking device, as shown and described.

DESCRIPTION

FIG. 1 is a first perspective view of a masking device showing my new design.
FIG. 2 is a second perspective view of the masking device shown in FIG. 1.
FIG. 3 is a first plan view of the masking device shown in FIG. 1.

(Continued)

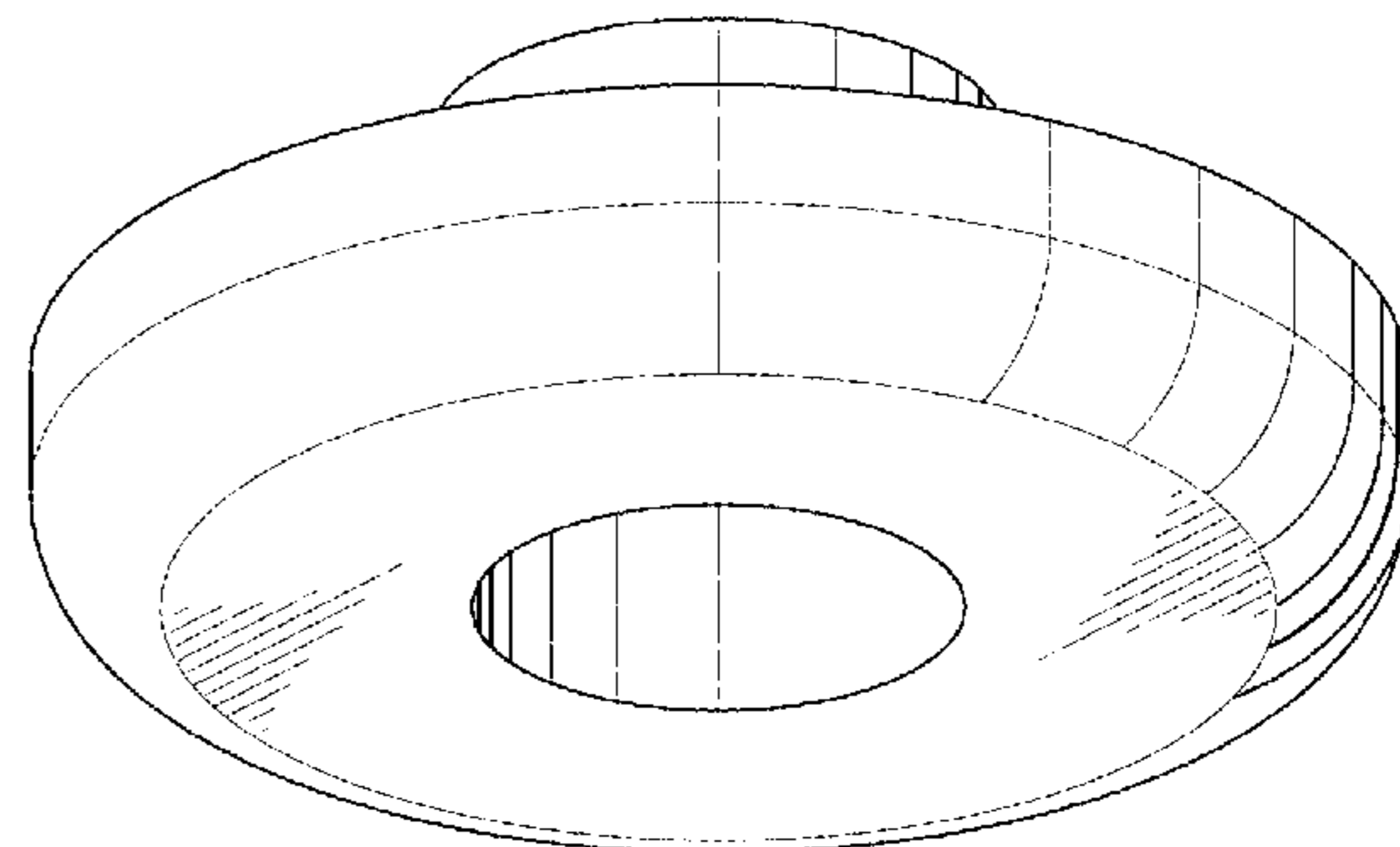
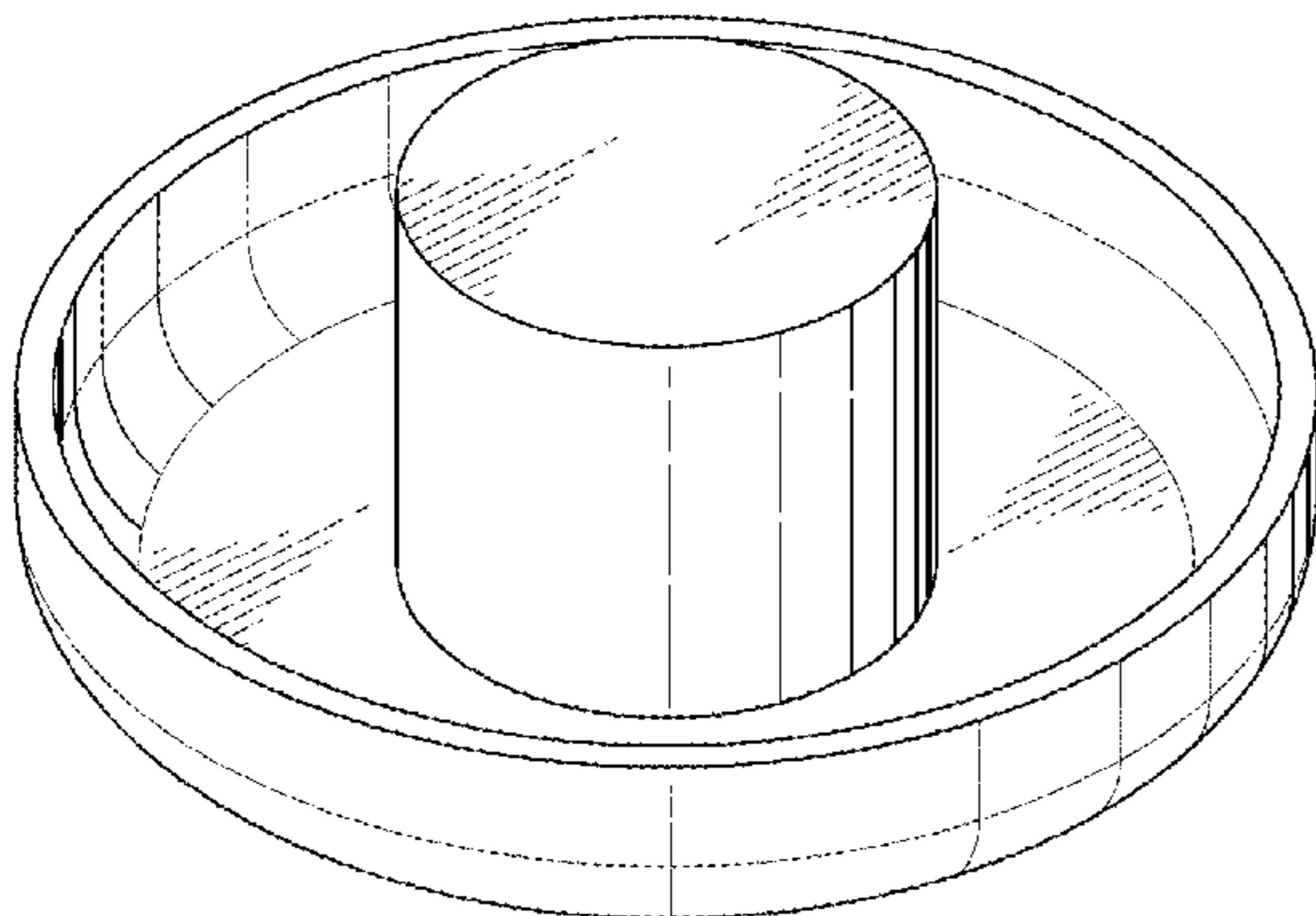


FIG. 4 is a cross-section view of the masking device viewed along section 4--4 shown in FIG. 3.

FIG. 5 is a side elevation view of the masking device shown in FIG. 1; and,

FIG. 6 is a second plan view of the masking device shown in FIG. 1, opposite the first plan view.

1 Claim, 3 Drawing Sheets

(58) **Field of Classification Search**

CPC H02G 11/02; H02G 3/00; H04R 1/1033;
H05K 7/1457

See application file for complete search history.

(56) **References Cited**

U.S. PATENT DOCUMENTS

5,328,723 A 7/1994 Horiki et al.
6,299,951 B1 * 10/2001 Dauner B05B 12/30
428/35.7
D482,270 S * 11/2003 Derilo D8/397
D496,888 S * 10/2004 Johnson, Jr. D12/162
7,504,133 B2 * 3/2009 Cuyler B05B 12/26
427/282
7,878,467 B2 * 2/2011 Chen F16B 47/00
248/205.7
D644,921 S * 9/2011 Hsu D8/399
D662,409 S * 6/2012 Woolstencroft D8/399
8,695,170 B2 * 4/2014 Honeycutt A44C 15/003
24/3.1
8,720,369 B2 * 5/2014 Rayman B05D 1/32
118/505
D714,531 S * 10/2014 Guglielmo D2/946

8,931,162 B2 * 1/2015 Gonzalez B60N 3/042
16/4
D727,614 S * 4/2015 Griffith D3/10
D739,209 S * 9/2015 Lohmann D8/351
D745,821 S * 12/2015 Lohmann D8/351
D752,963 S * 4/2016 Kaupp D8/385
9,399,237 B1 * 7/2016 Dauner B60B 7/00
9,409,303 B2 * 8/2016 Bermes B26B 27/00
D765,606 S * 9/2016 Hack D13/156
D776,519 S * 1/2017 Almaghlouth D8/399
D790,867 S * 7/2017 Garcia D6/309
D798,133 S * 9/2017 Ng D6/580
D803,267 S * 11/2017 Baiz D15/5
9,813,797 B2 * 11/2017 Abfall H04R 1/1033
D813,570 S * 3/2018 Santilli D6/580
D816,005 S * 4/2018 Johns D12/197
D818,015 S * 5/2018 Karol D15/138
2015/0225205 A1 * 8/2015 Fleury B65H 49/205
242/598.6

FOREIGN PATENT DOCUMENTS

CN 203425967 U 2/2014
CN 105214879 A 1/2016
EP 1095708 A1 5/2001
JP H08141491 A 6/1996

OTHER PUBLICATIONS

Airhockey Bat, image post date Aug. 10, 2014, site visited Jul. 10, 2018, (online), <<https://web.archive.org/web/20140810033802/https://www.kickerkult.de/Carromco-Air-Hockey-Speedy-XT/en>>.*
United Kingdom Intellectual Property Office Search Report for Application No. GB1617644.8 dated Mar. 8, 2017 (2 pages).

* cited by examiner

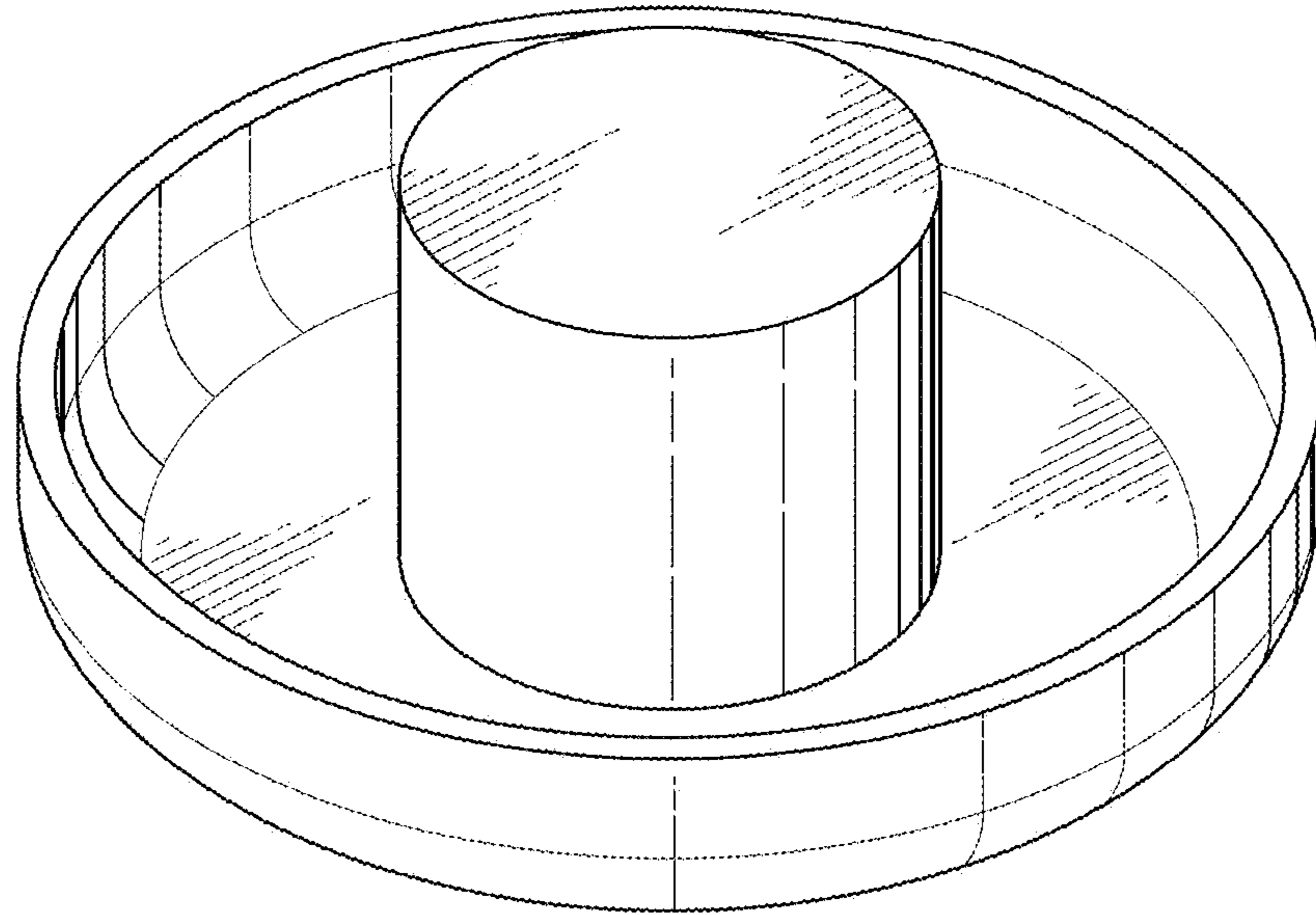


FIG. 1

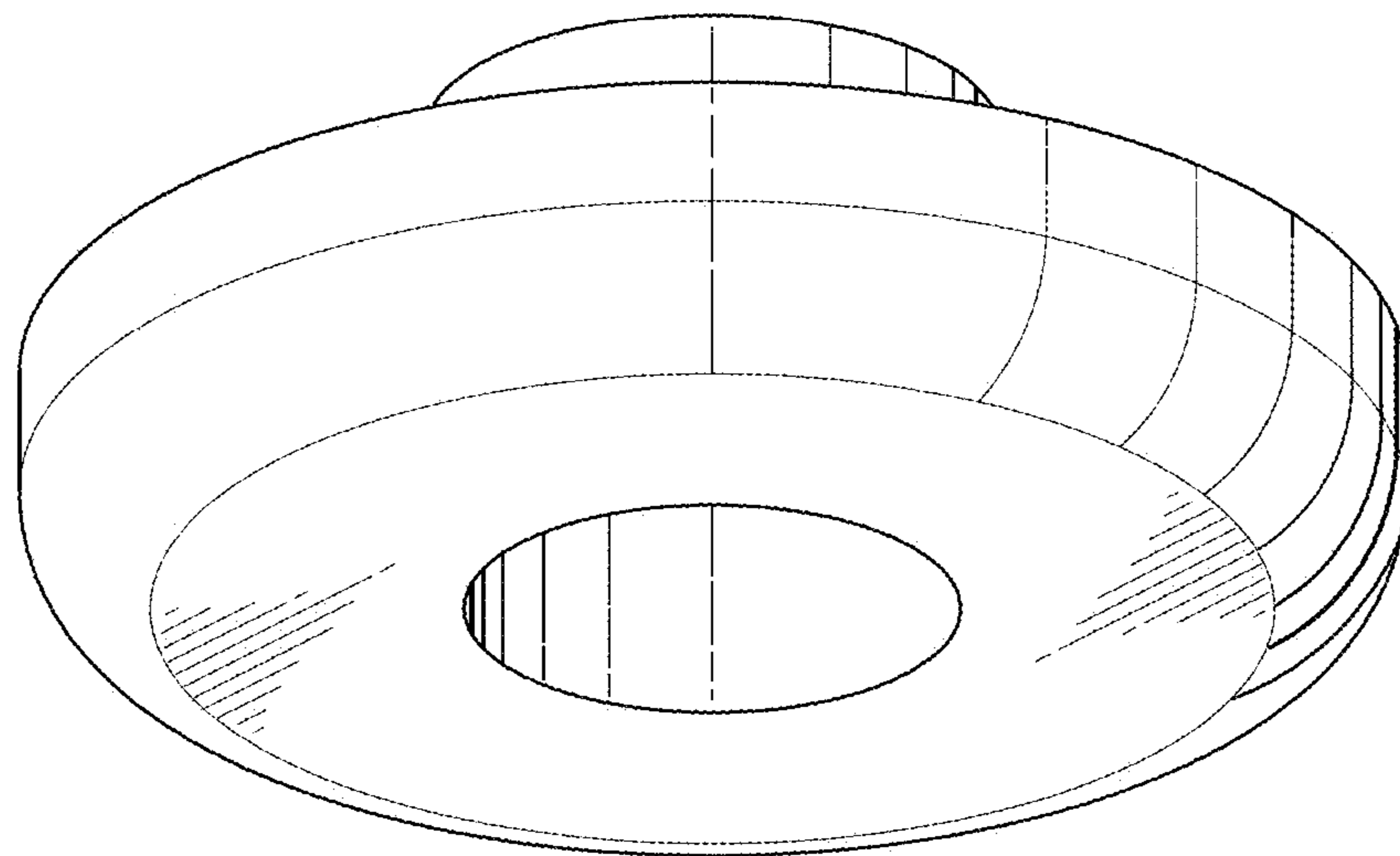


FIG. 2

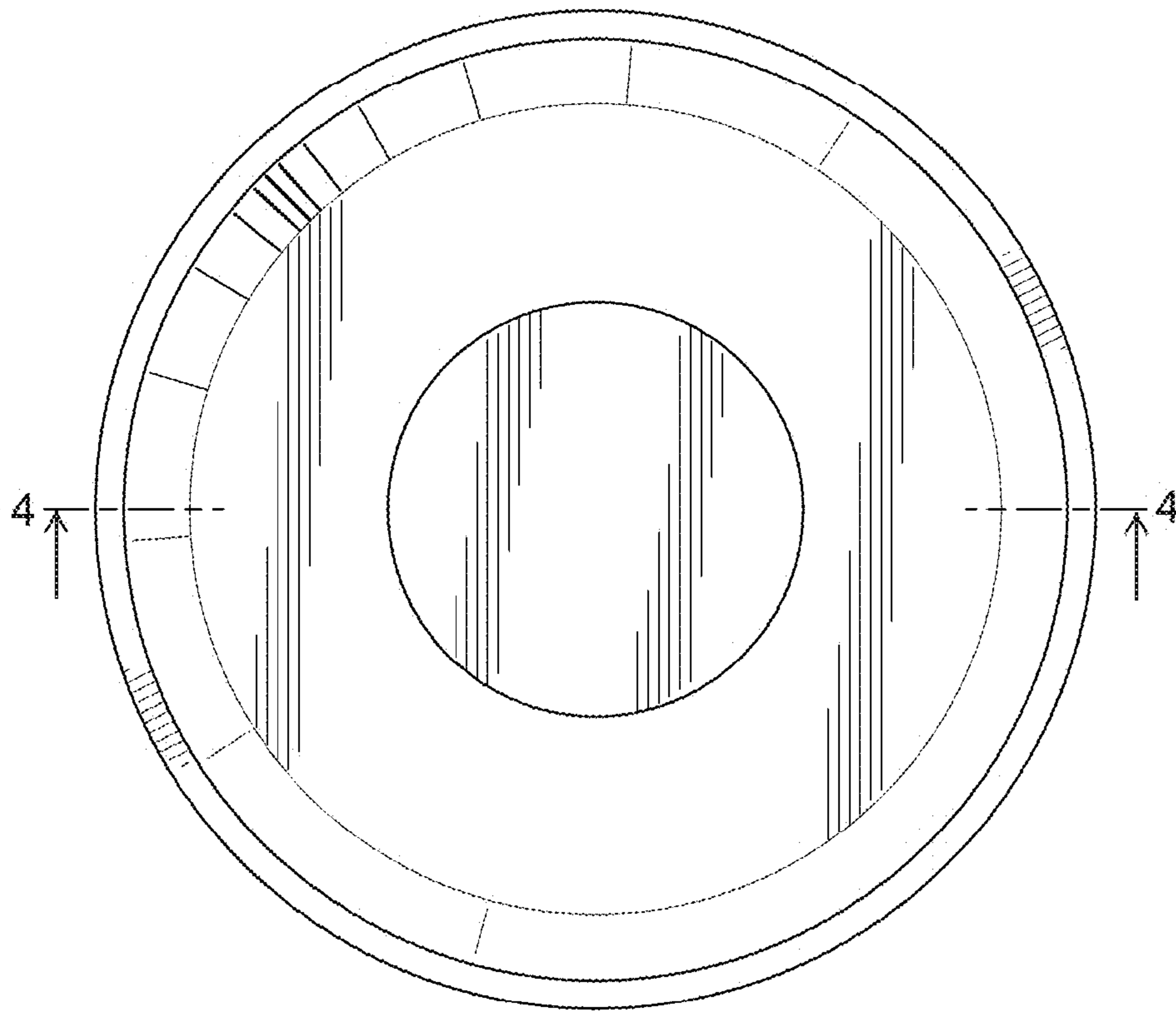


FIG. 3

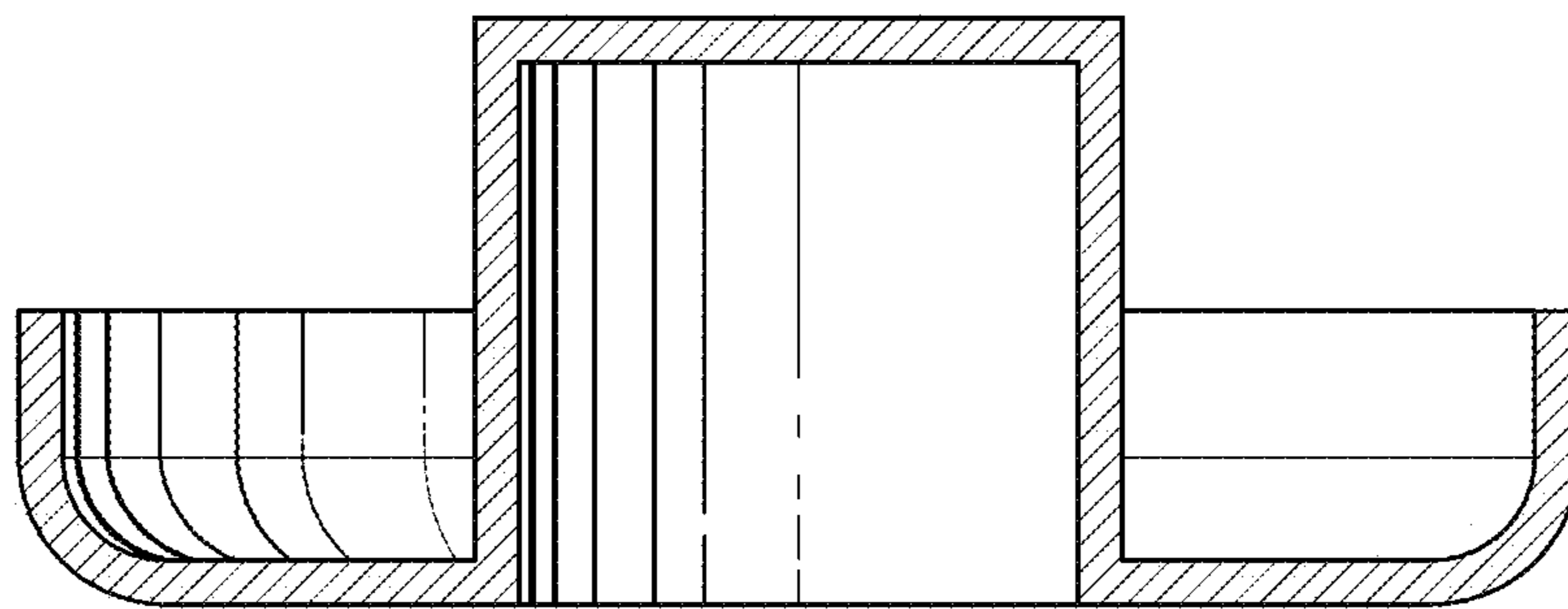


FIG. 4

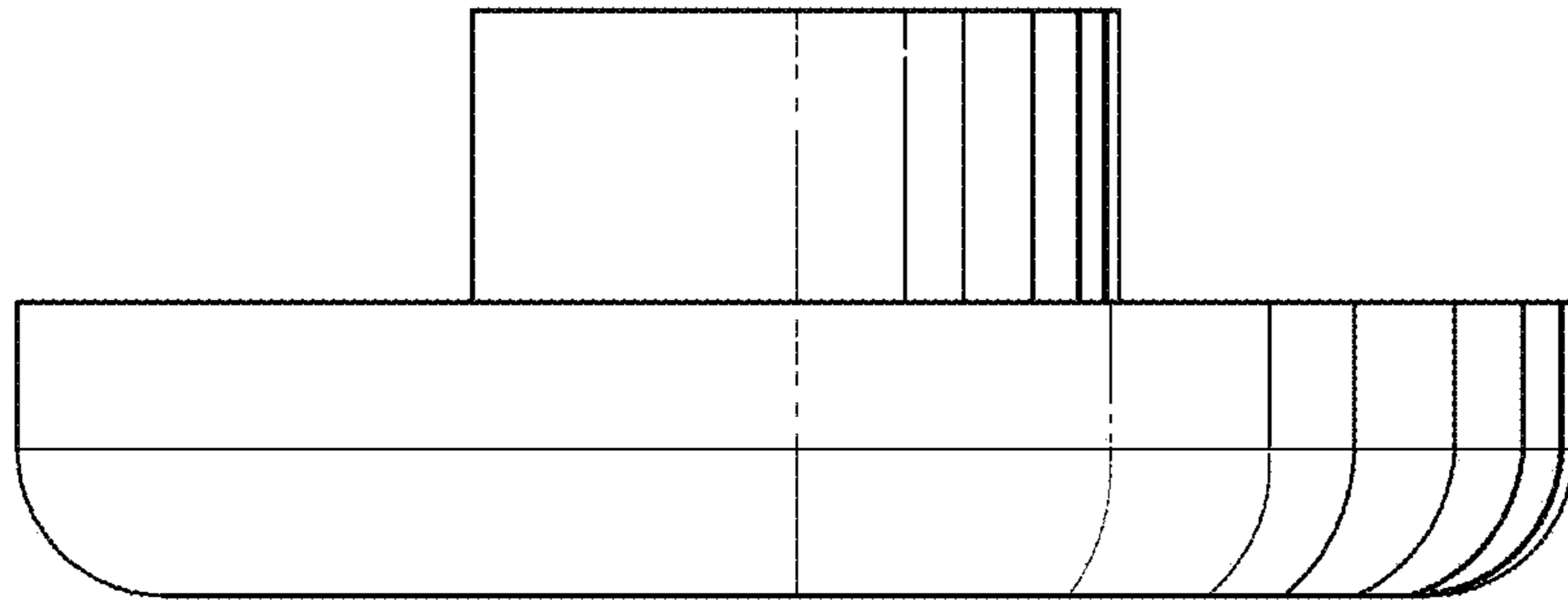


FIG. 5

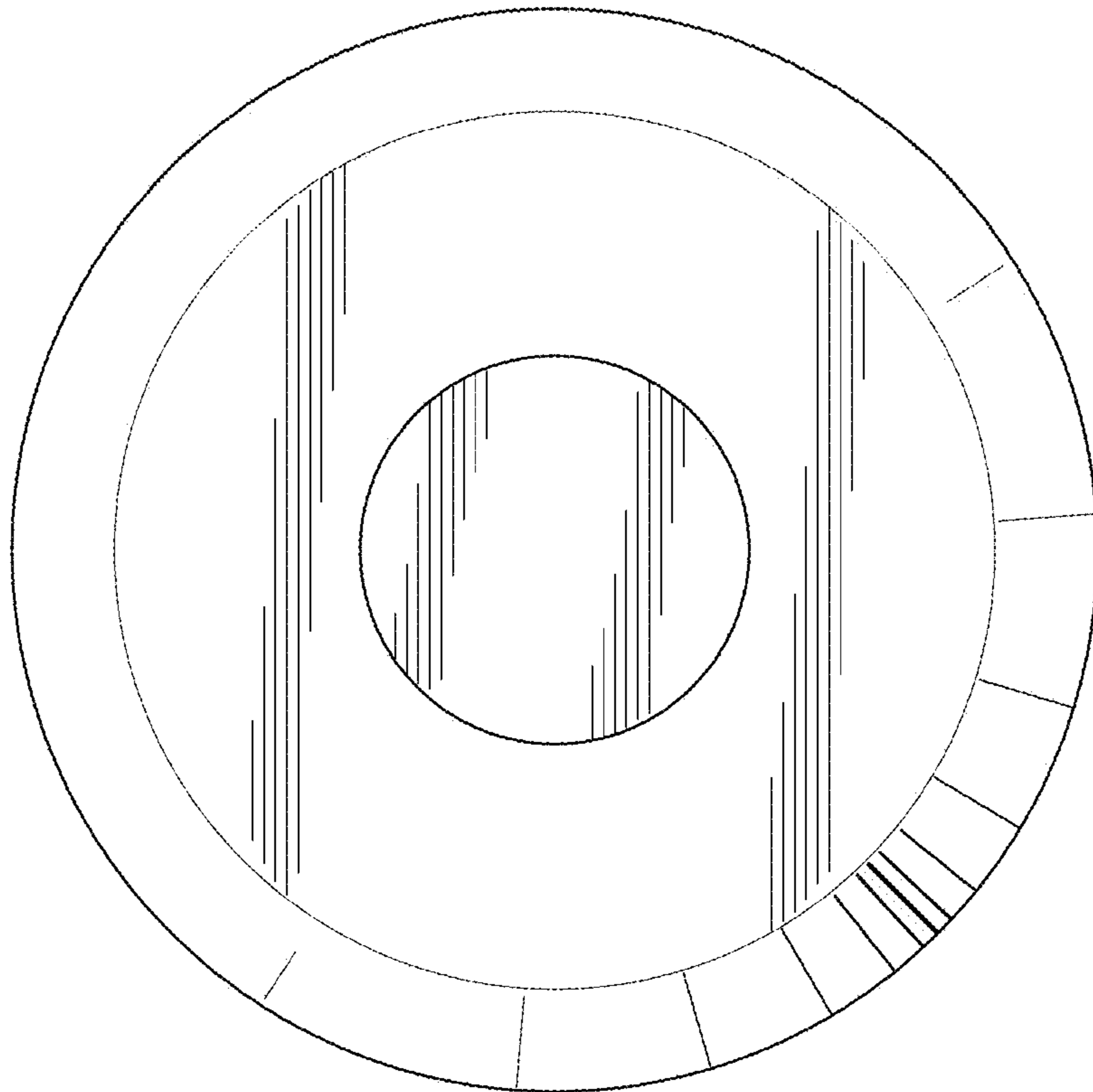


FIG. 6