



US00D832183S

(12) **United States Design Patent**  
**Di Mauro**

(10) **Patent No.:** **US D832,183 S**

(45) **Date of Patent:** **\*\* Oct. 30, 2018**

(54) **BOAT PORT**

(71) Applicant: **Vincent J. Di Mauro**, Marathon, FL  
(US)

(72) Inventor: **Vincent J. Di Mauro**, Marathon, FL  
(US)

(\*\*) Term: **15 Years**

(21) Appl. No.: **29/605,334**

(22) Filed: **May 25, 2017**

(51) **LOC (11) Cl.** ..... **12-06**

(52) **U.S. Cl.**  
USPC ..... **D12/317; D12/316**

(58) **Field of Classification Search**  
USPC ..... D12/101, 223, 317, 318  
CPC .... B63C 3/00; B63C 3/02; B63B 1/00; B63B  
13/00; B60P 3/1033; B60P 3/1066; B60P  
3/1075; B60F 3/0092  
See application file for complete search history.

(56) **References Cited**

**U.S. PATENT DOCUMENTS**

3,055,022	A *	9/1962	Vallquist	.....	B63B 59/02 114/219
3,177,668	A *	4/1965	Schneider	.....	B63C 3/06 405/3
4,260,282	A *	4/1981	Dorsey	.....	B63B 59/00 114/343
4,696,250	A *	9/1987	Antonides	.....	B63C 3/02 114/343
D356,058	S *	3/1995	Newton	.....	D12/101
D358,361	S *	5/1995	Lewis	.....	D12/317
5,577,455	A *	11/1996	Dvorak	.....	B63B 59/02 114/219

6,561,111	B1 *	5/2003	Marchant	.....	B63B 59/02 114/219
6,786,168	B1 *	9/2004	Foster	.....	B63B 59/02 114/230.1
6,932,014	B1 *	8/2005	Baucum	.....	B63B 59/02 114/219

\* cited by examiner

*Primary Examiner* — Cynthia M. Chin  
(74) *Attorney, Agent, or Firm* — Kloss, Stenger &  
LoTempio; Vincent LoTempio; Phillip Abramowitz

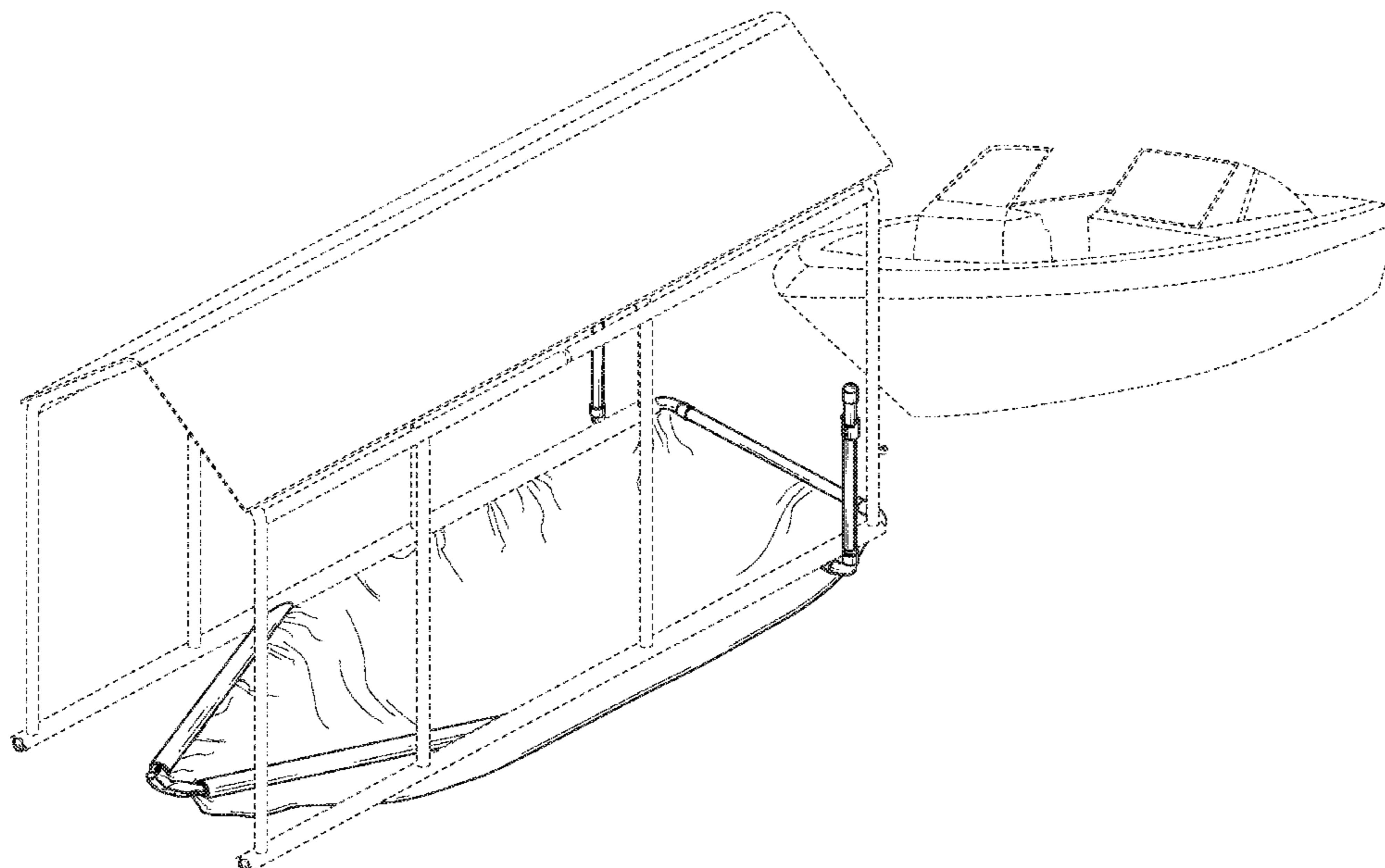
(57) **CLAIM**

The ornamental design for a boat port, as shown and described.

**DESCRIPTION**

FIG. 1 is a top perspective view of the boat port showing my new design;  
 FIG. 2 is a front view thereof;  
 FIG. 3 is a back view thereof;  
 FIG. 4 is a right side view thereof;  
 FIG. 5 is a left side view thereof;  
 FIG. 6 is a top view thereof;  
 FIG. 7 is a bottom view thereof;  
 FIG. 8 is a left side perspective environmental view thereof with the hinged end piece in a closed position;  
 FIG. 9 is a left side perspective environmental view thereof with the hinged end piece in an open position;  
 FIG. 10 is a left side perspective environmental view thereof with the hinged end piece in an open position; and,  
 FIG. 11 is a left side perspective environmental view thereof with the hinged end piece in a closed position.  
 The broken lines in FIGS. 1 and 6 are for the purpose of illustrating portions of the article that form no part of the claim. The broken lines showing an unclaimed boat and canopy in FIGS. 8-11 illustrate environmental subject matter and form no part of the claimed design.

**1 Claim, 10 Drawing Sheets**



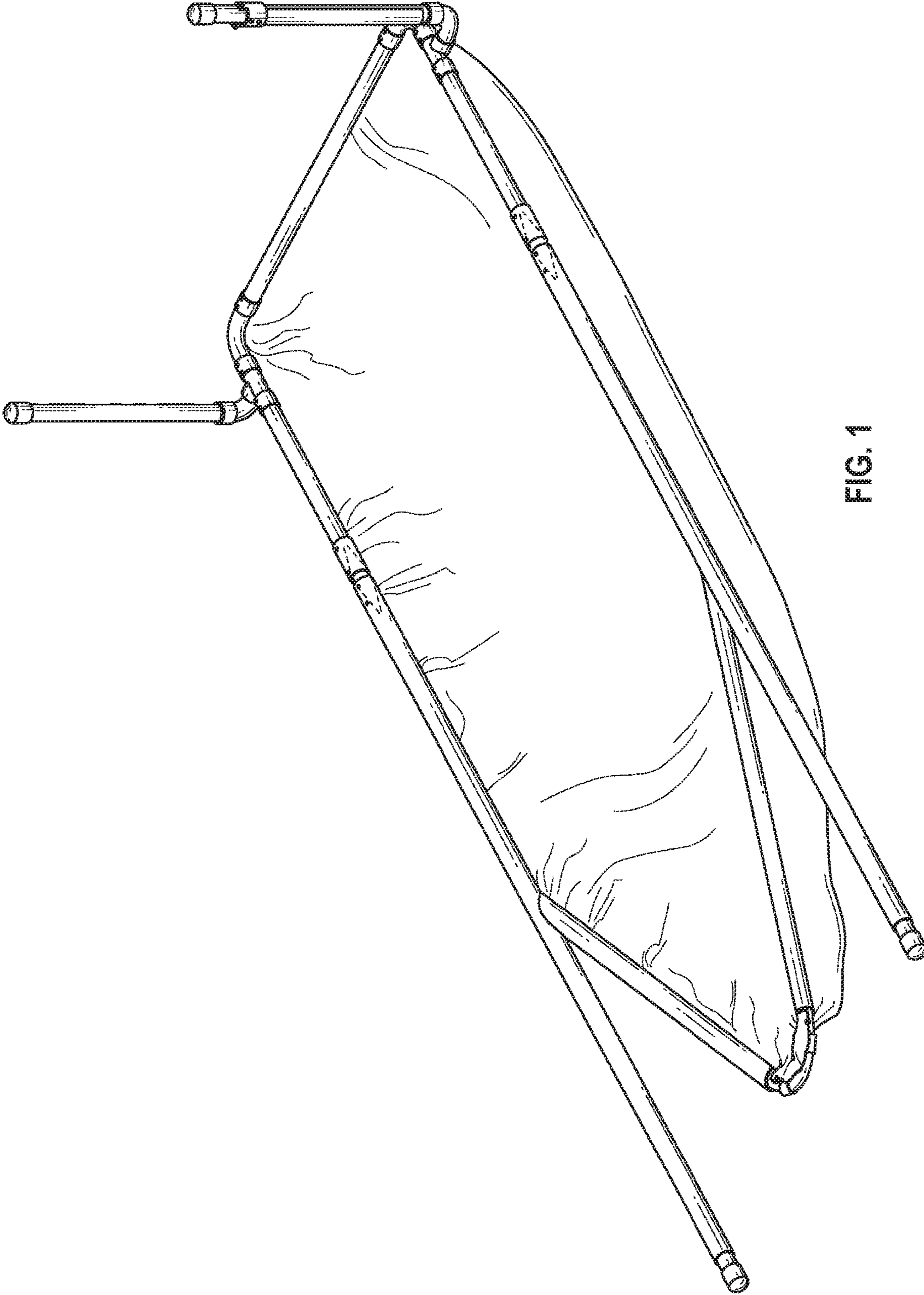


FIG. 1

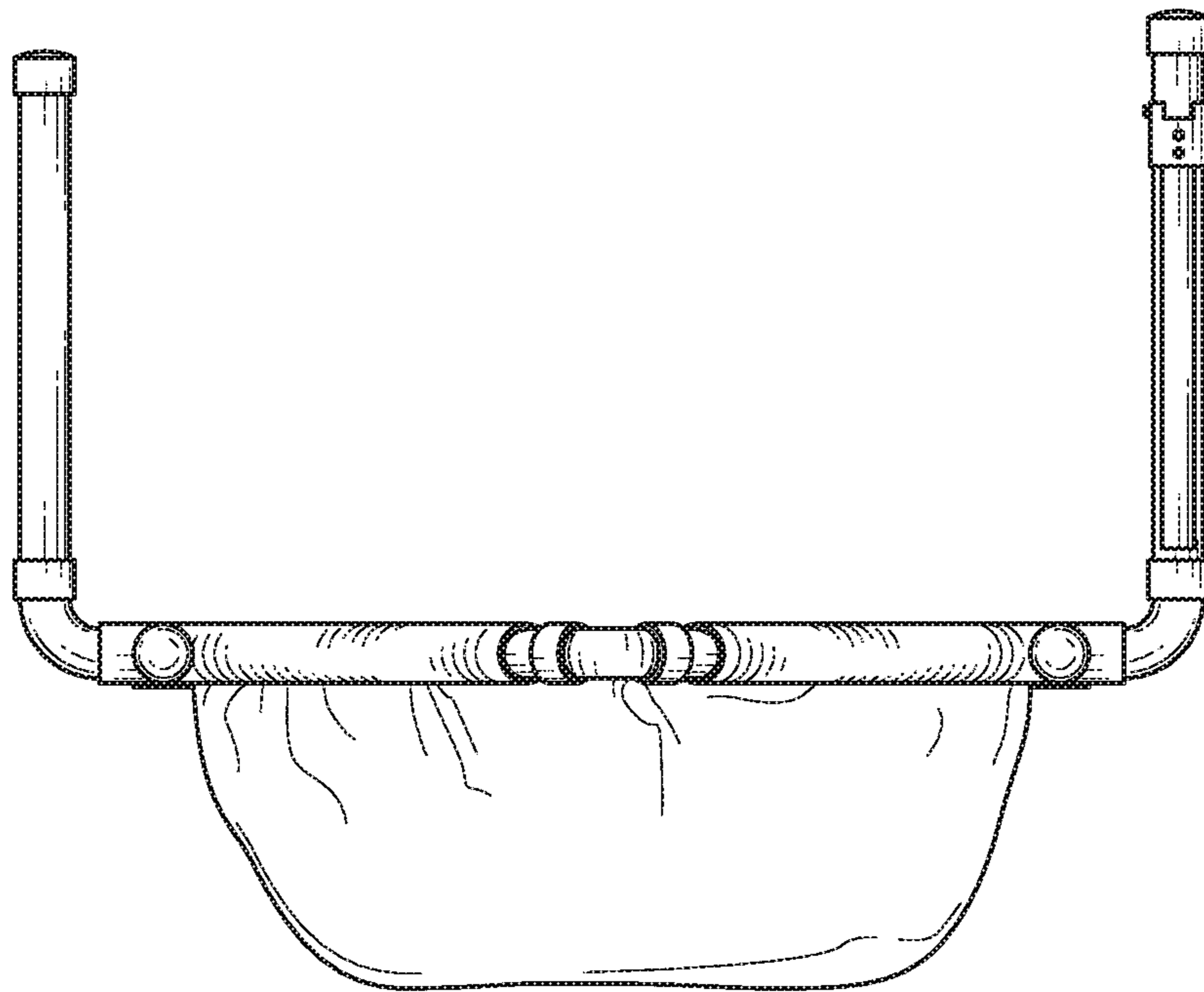


FIG. 2

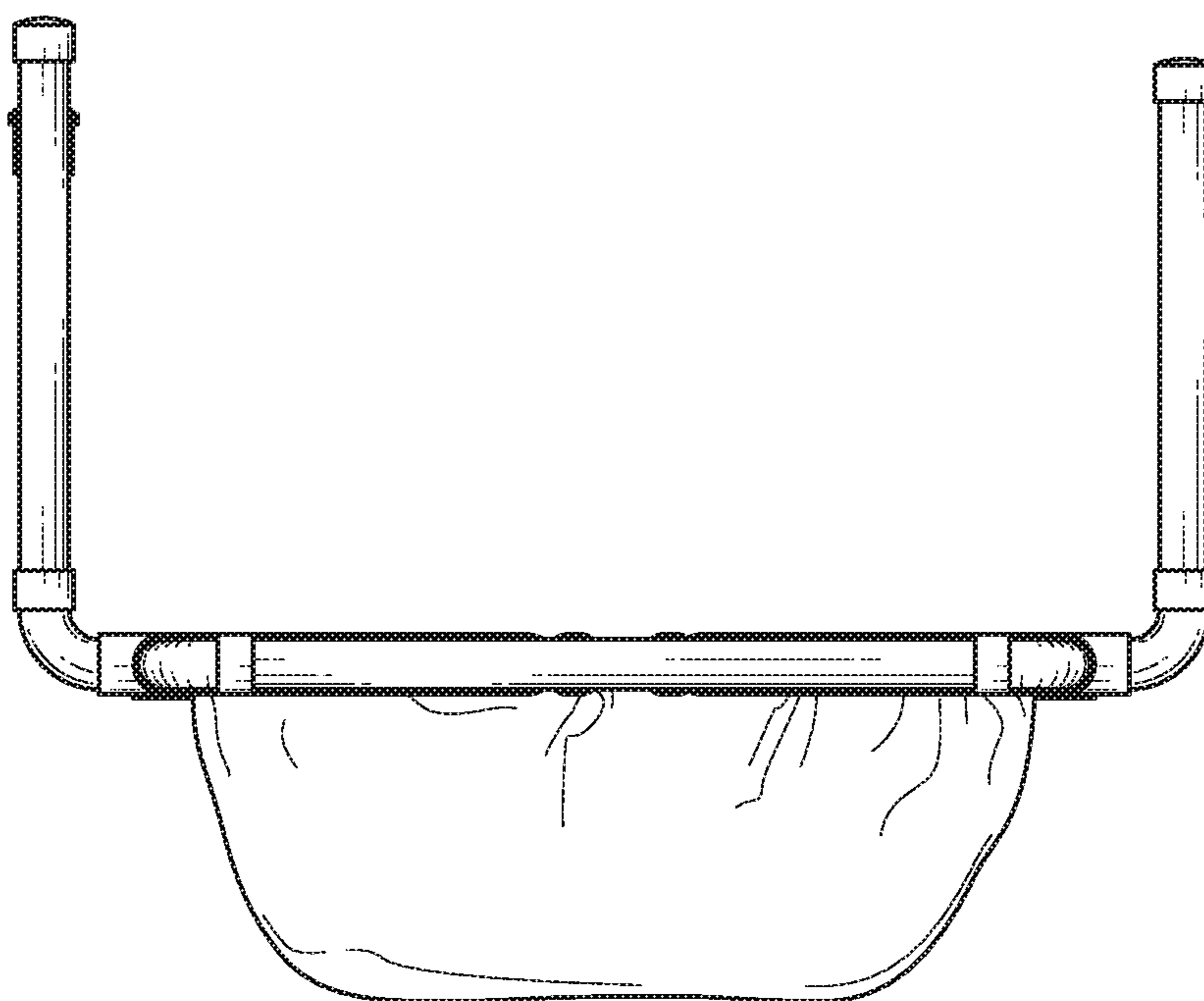


FIG. 3

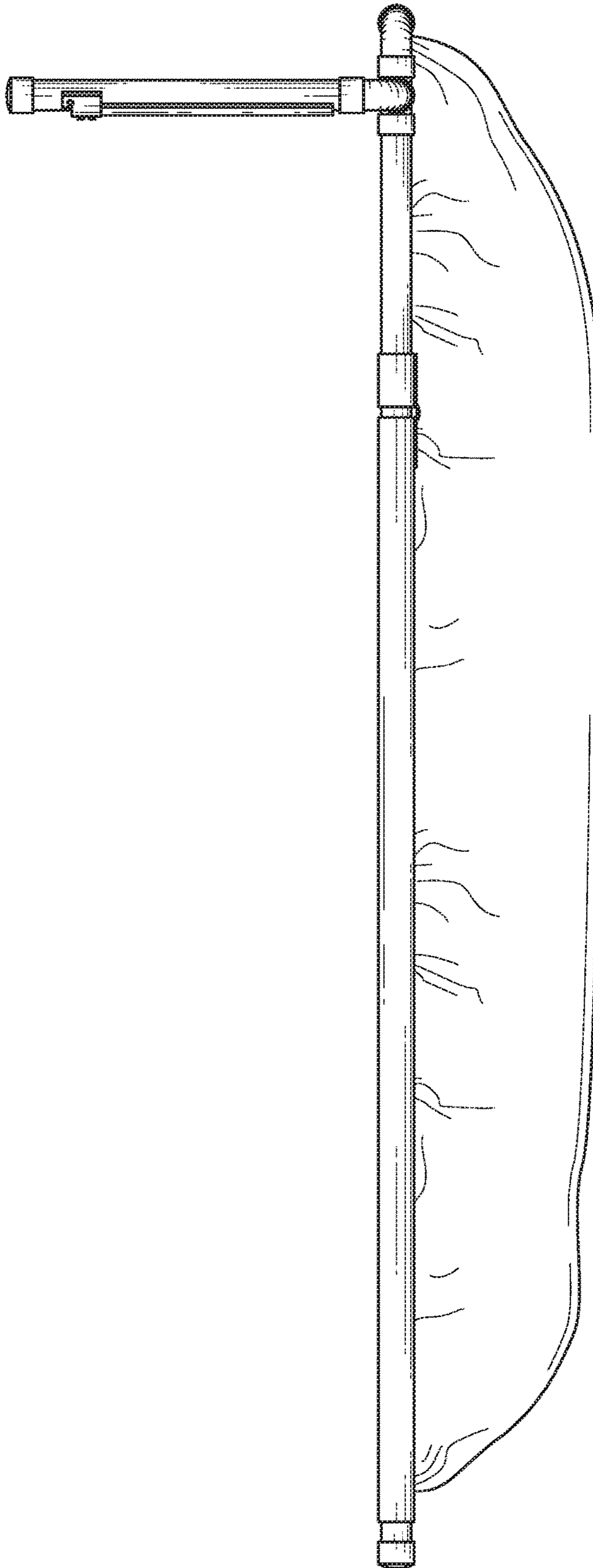


FIG. 4

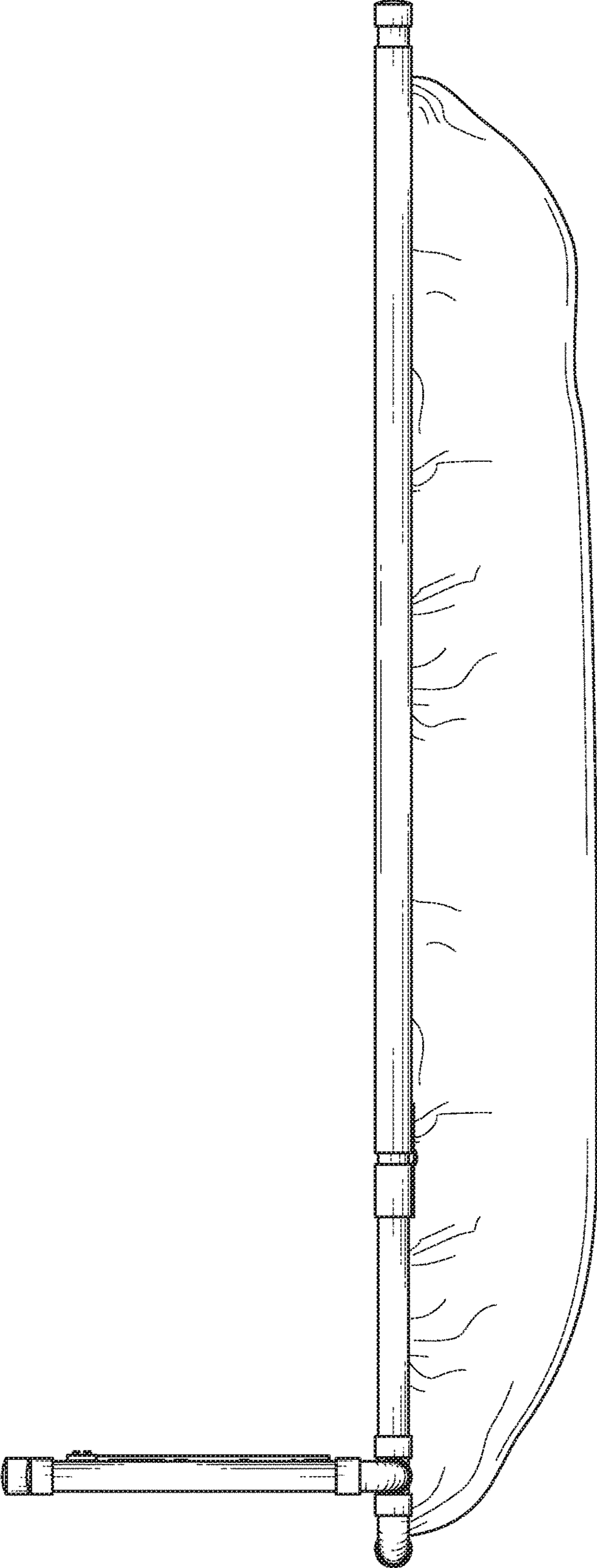


FIG. 5

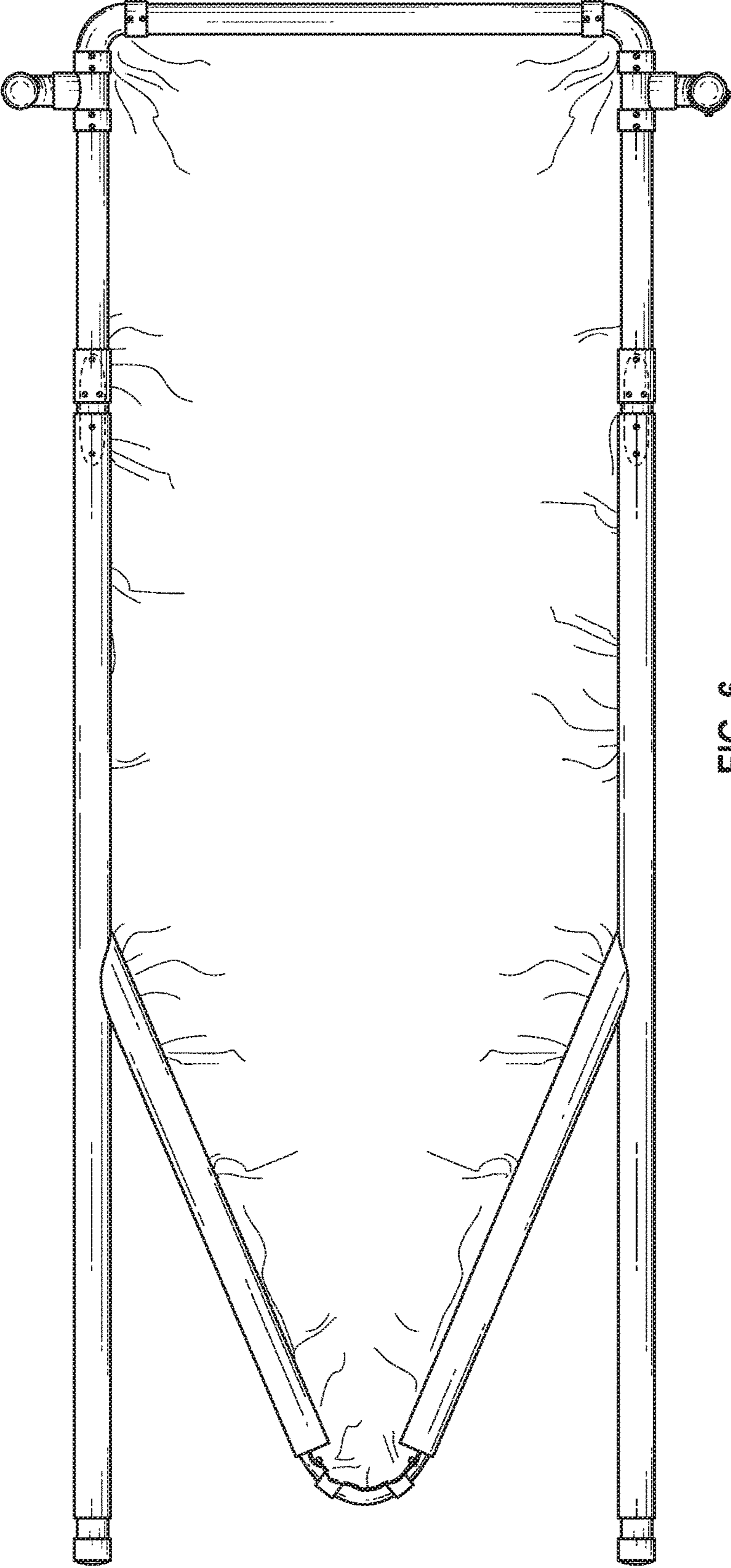


FIG. 6

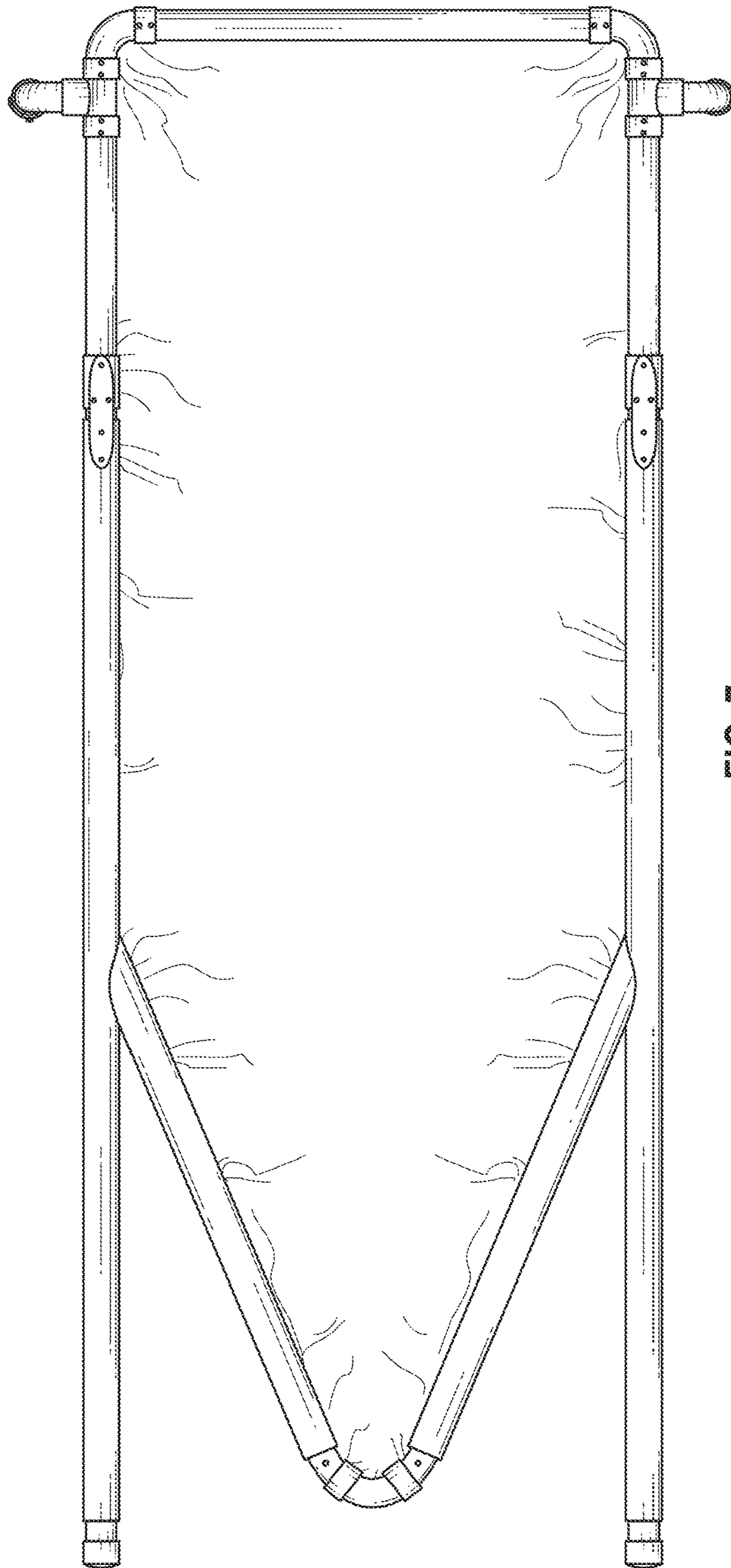


FIG. 7

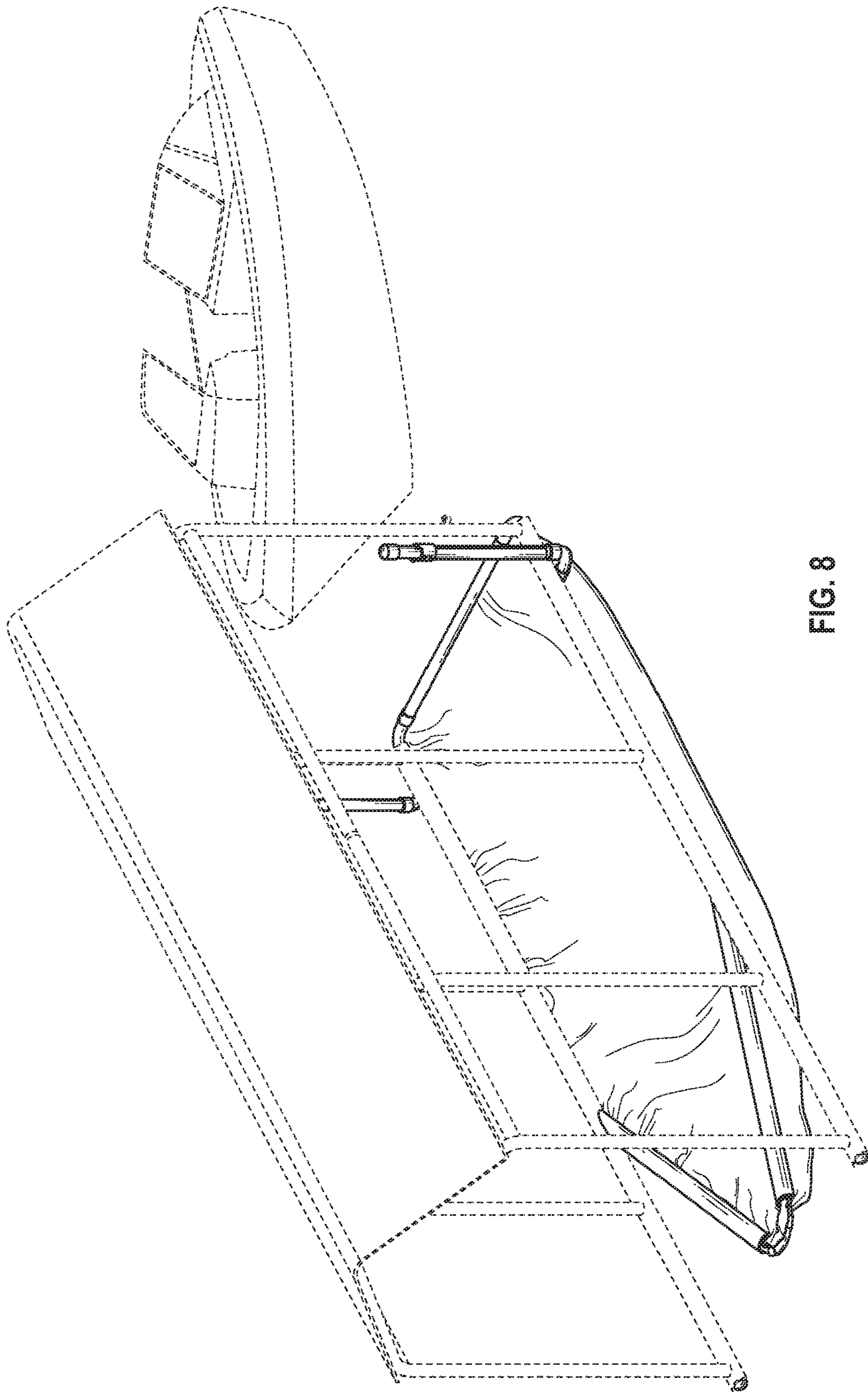


FIG. 8



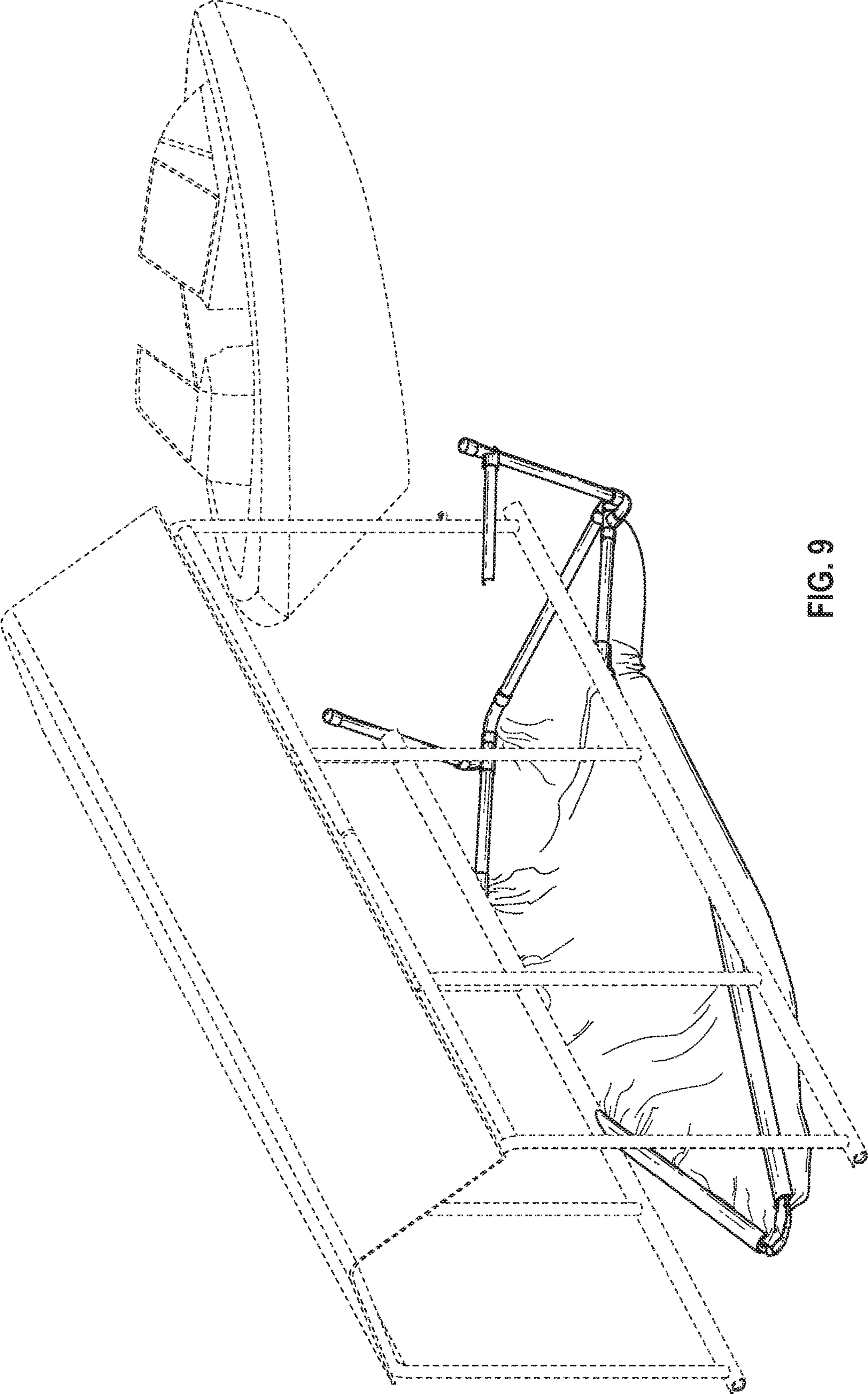


FIG. 9

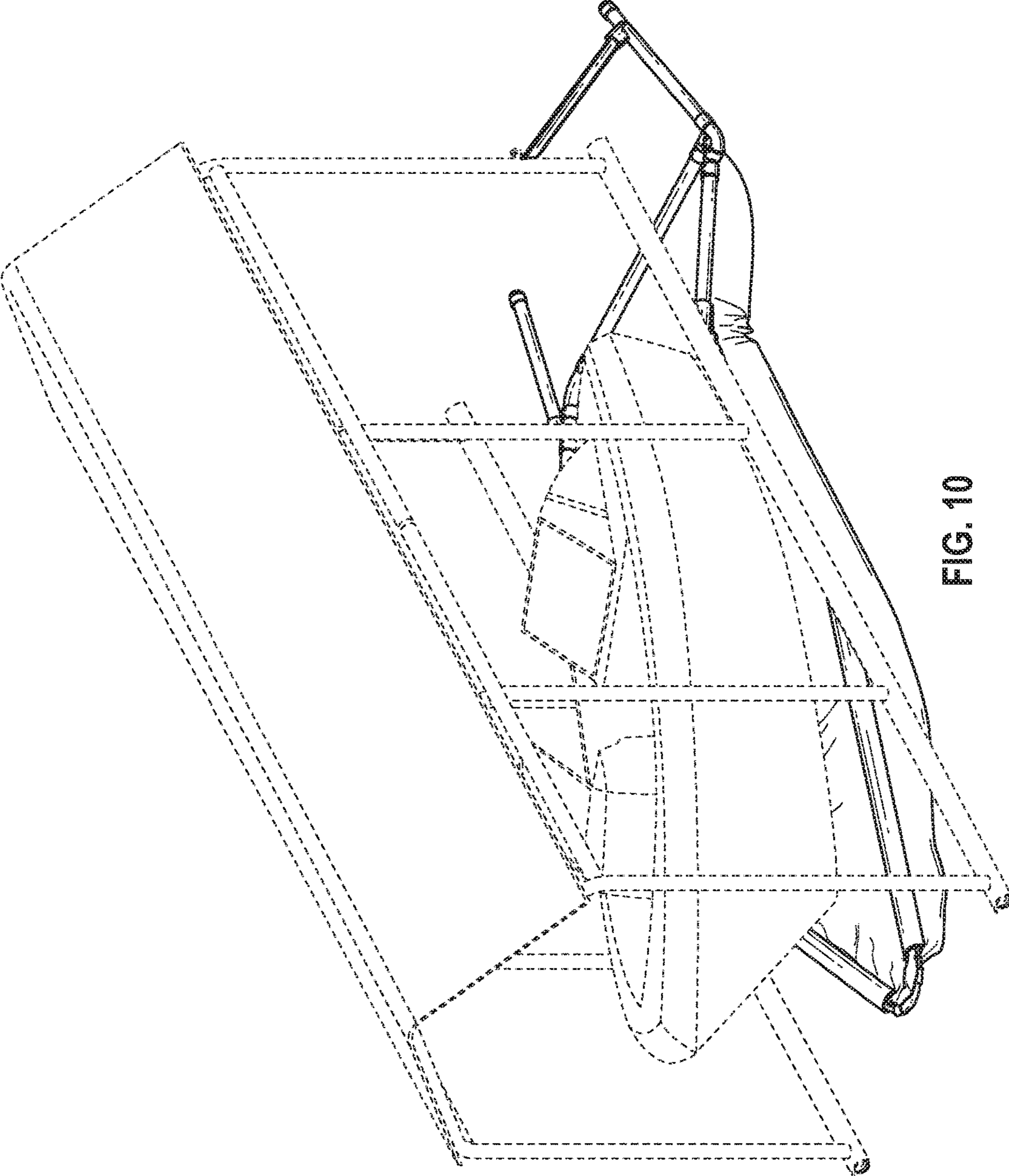


FIG. 10

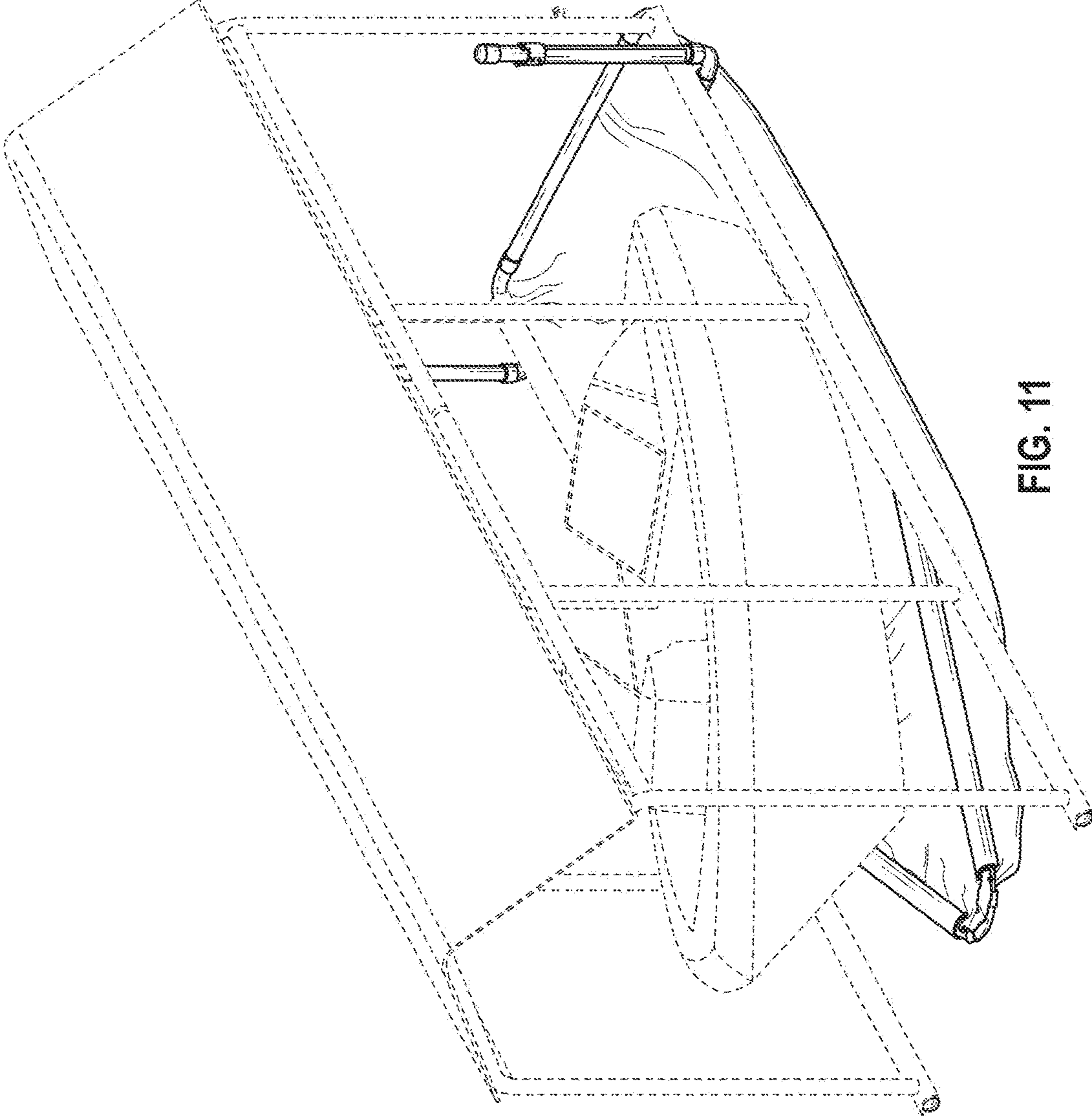


FIG. 11