



US00D832181S

(12) **United States Design Patent**
Setter

(10) **Patent No.:** **US D832,181 S**

(45) **Date of Patent:** **** Oct. 30, 2018**

(54) **WHEEL**

(71) Applicant: **Jaguar Land Rover Limited**, Whitley,
Coventry (GB)

(72) Inventor: **Adam Setter**, Coventry (GB)

(73) Assignee: **Jaguar Land Rover Limited**, Whitley,
Coventry (GB)

(**) Term: **15 Years**

(21) Appl. No.: **29/614,004**

(22) Filed: **Aug. 15, 2017**

Related U.S. Application Data

(62) Division of application No. 29/539,035, filed on Sep.
10, 2015, now Pat. No. Des. 794,528.

(30) **Foreign Application Priority Data**

Mar. 16, 2015 (EM) 002656413

(51) **LOC (11) Cl.** **12-16**

(52) **U.S. Cl.**
USPC **D12/211**

(58) **Field of Classification Search**

USPC D12/204-213
CPC B60B 7/00; B60B 7/02; B60B 7/04; B60B
7/01; B60B 7/06; B60B 3/02; B60B 3/04;
B60B 3/06; B60B 3/10; B60B 1/00;
B60B 1/08; B60B 1/10; B60B 1/12

See application file for complete search history.

(56) **References Cited**

U.S. PATENT DOCUMENTS

D619,950 S * 7/2010 Antoniadis D12/209
D660,768 S * 5/2012 De Bono D12/211

D693,284 S * 11/2013 Chen D12/211
D731,390 S * 6/2015 Kobayashi D12/211
D747,252 S * 1/2016 Buckingham D12/211
D761,182 S * 7/2016 Valencia Pollex D12/211
D768,046 S * 10/2016 Patel D12/211
D794,528 S * 8/2017 Setter D12/211

* cited by examiner

Primary Examiner — Stacia A Cadmus

(74) *Attorney, Agent, or Firm* — Wood Herron & Evans
LLP

(57) **CLAIM**

The ornamental design for wheel, as shown and described.

DESCRIPTION

FIG. 1 is a front left perspective view of a wheel according
to the present invention.

FIG. 2 is a front right perspective view of the wheel shown
in FIG. 1.

FIG. 3 is a front view thereof.

FIG. 4 is a left side view thereof, the right side being a mirror
image thereof.

FIG. 5 is a rear view thereof.

FIG. 6 is a rear right perspective view thereof.

FIG. 7 is a front left perspective view of a wheel according
to a second embodiment of the present invention.

FIG. 8 is a front right perspective view of the wheel shown
in FIG. 7.

FIG. 9 is a front view thereof.

FIG. 10 is a left side view thereof, the right side being a
mirror image thereof.

FIG. 11 is a rear view thereof; and,

FIG. 12 is a rear right perspective view thereof.

1 Claim, 8 Drawing Sheets

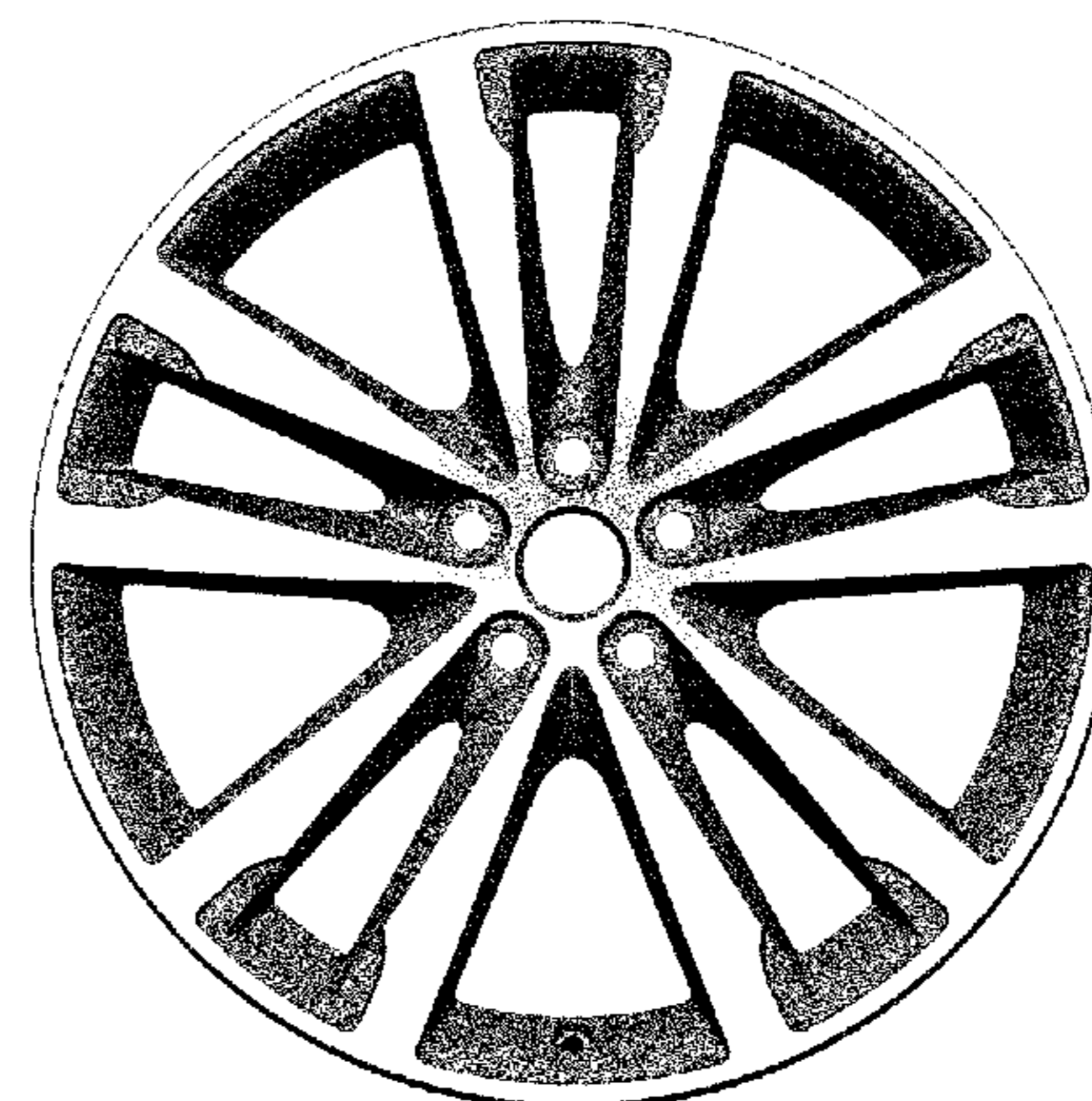
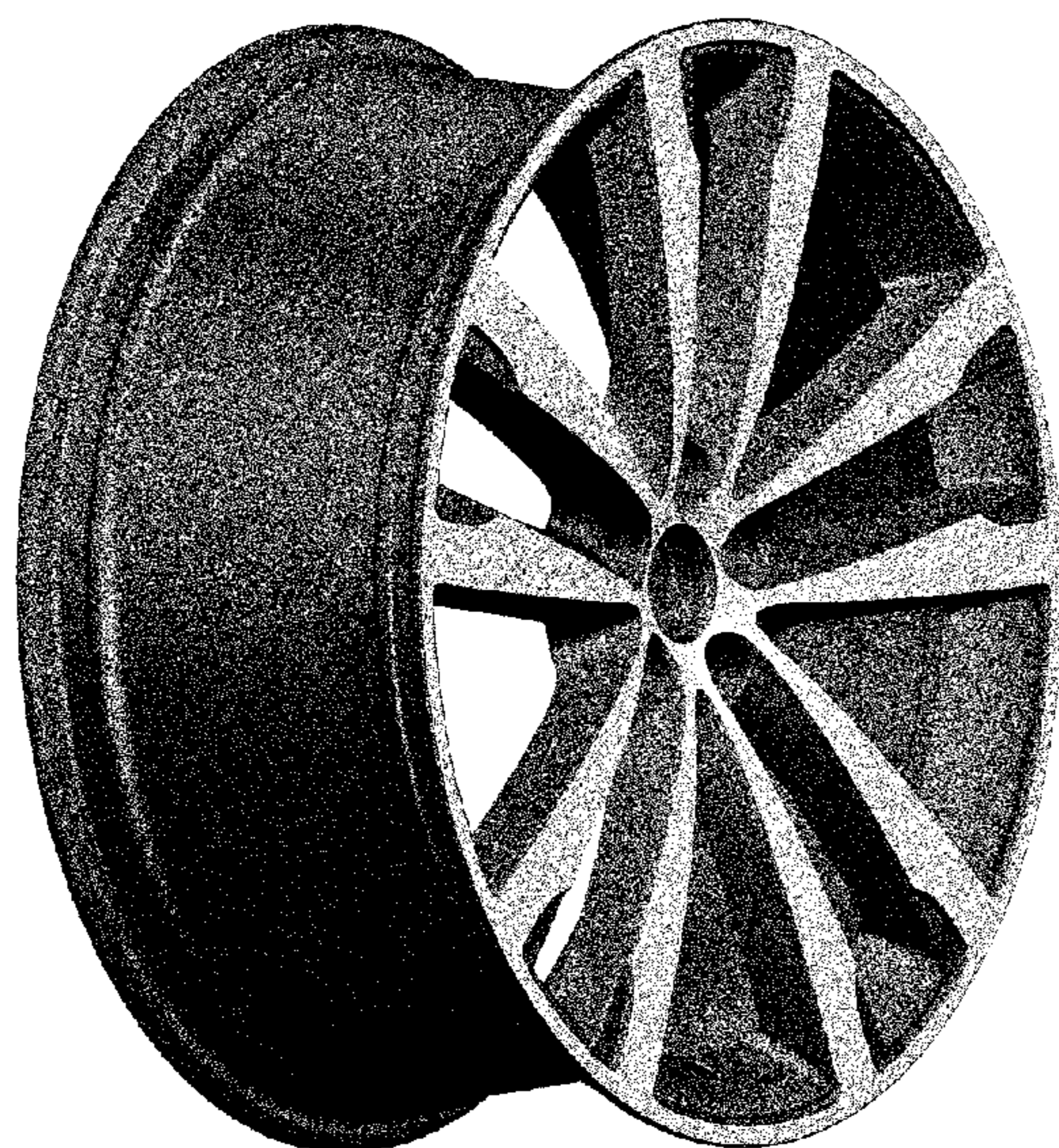




FIG. 1



FIG. 2

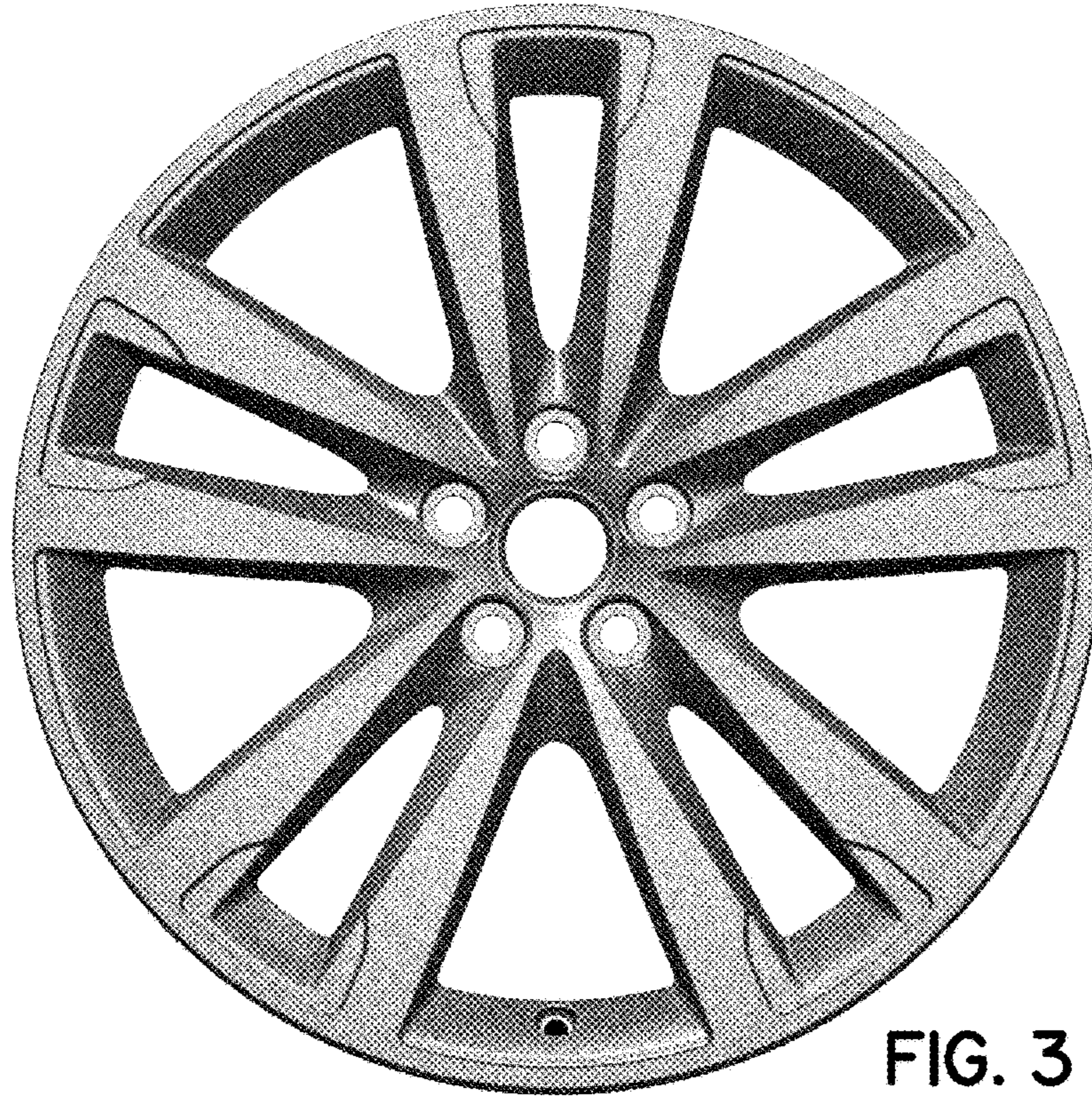


FIG. 3

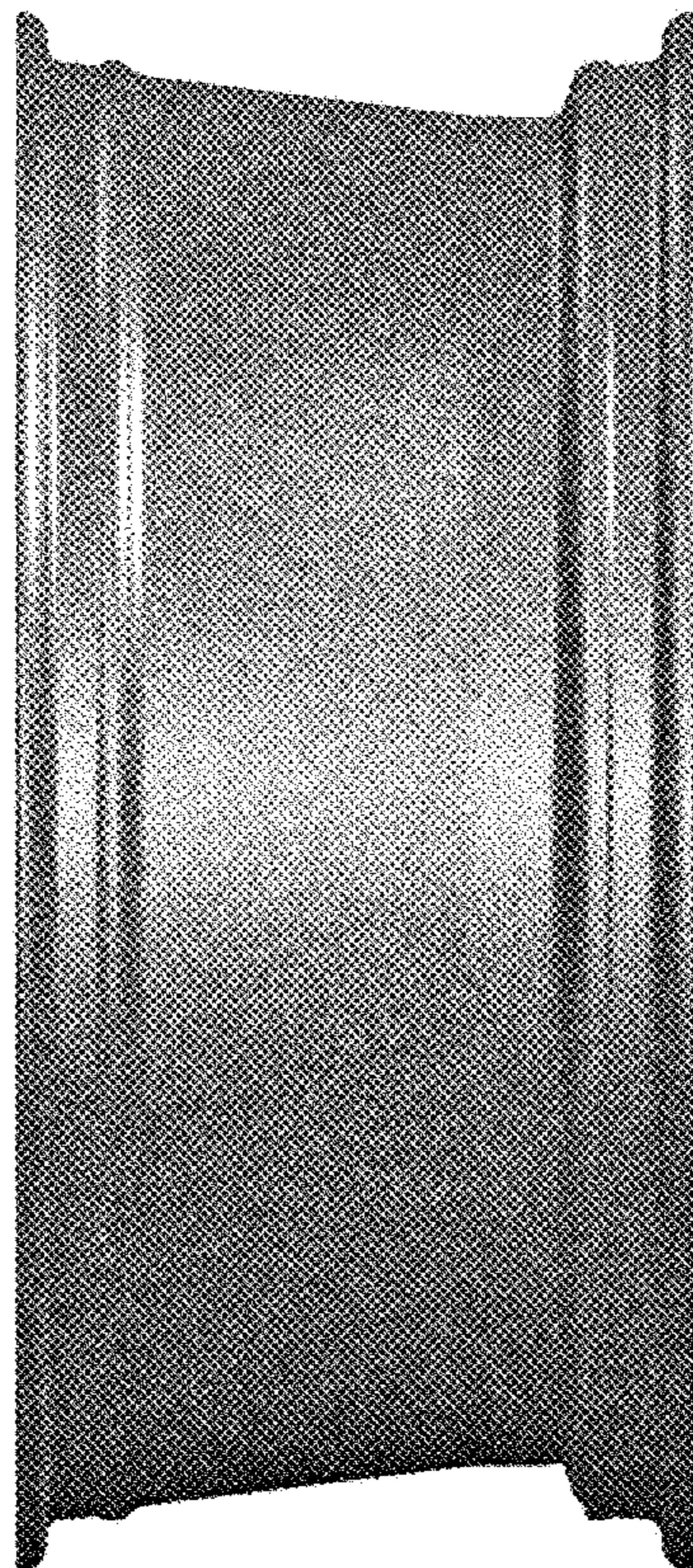


FIG. 4

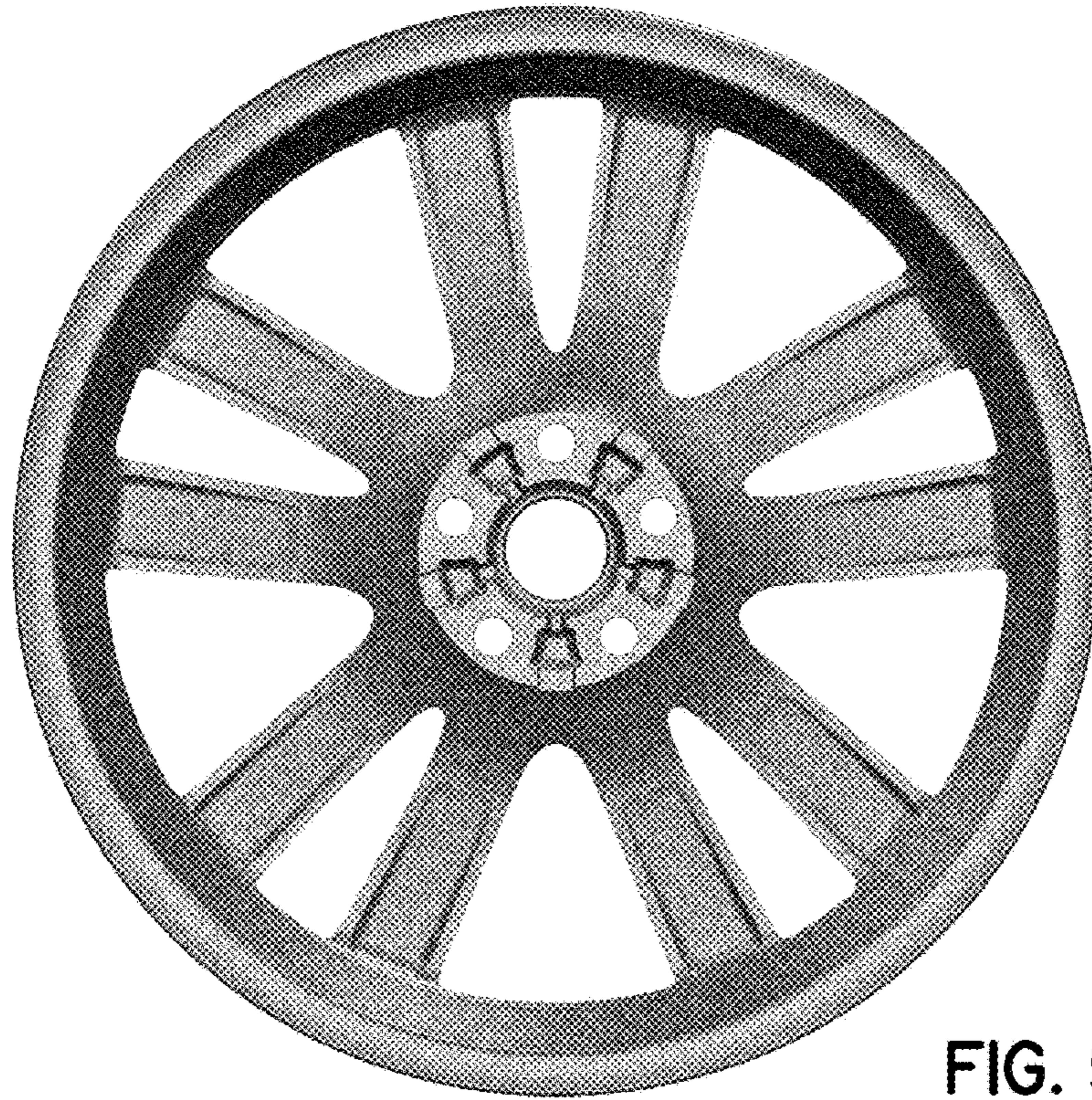


FIG. 5



FIG. 6



FIG. 7



FIG. 8

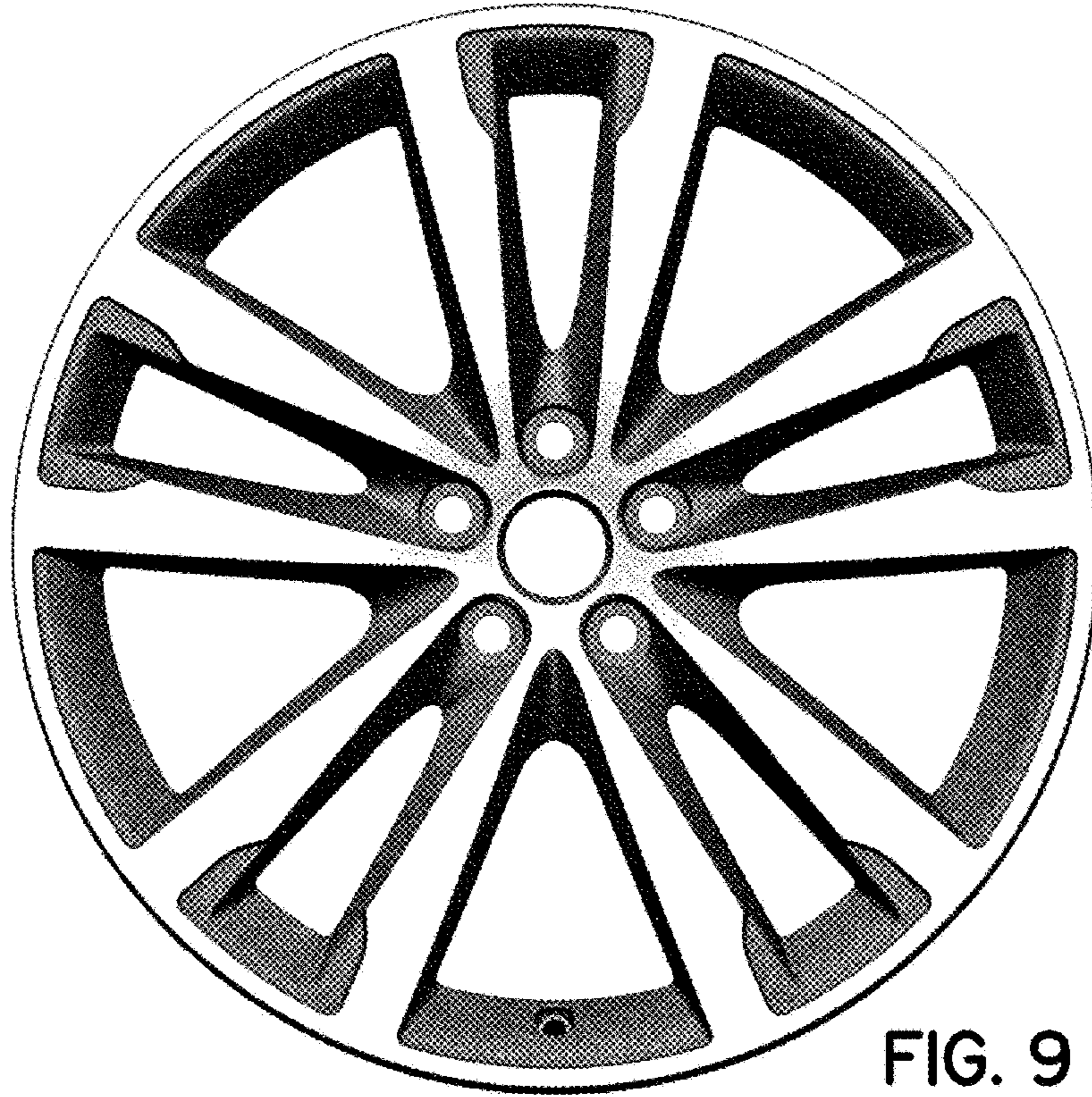


FIG. 9

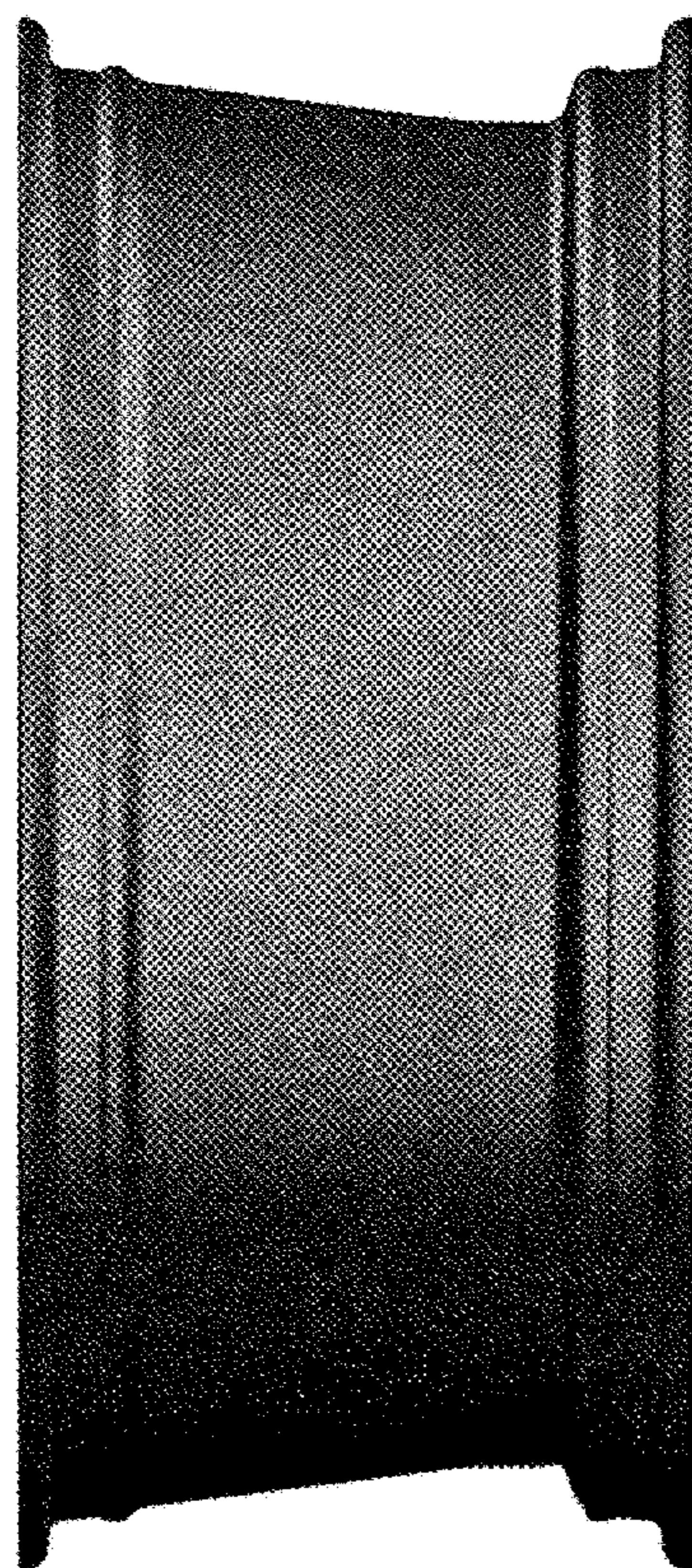


FIG. 10

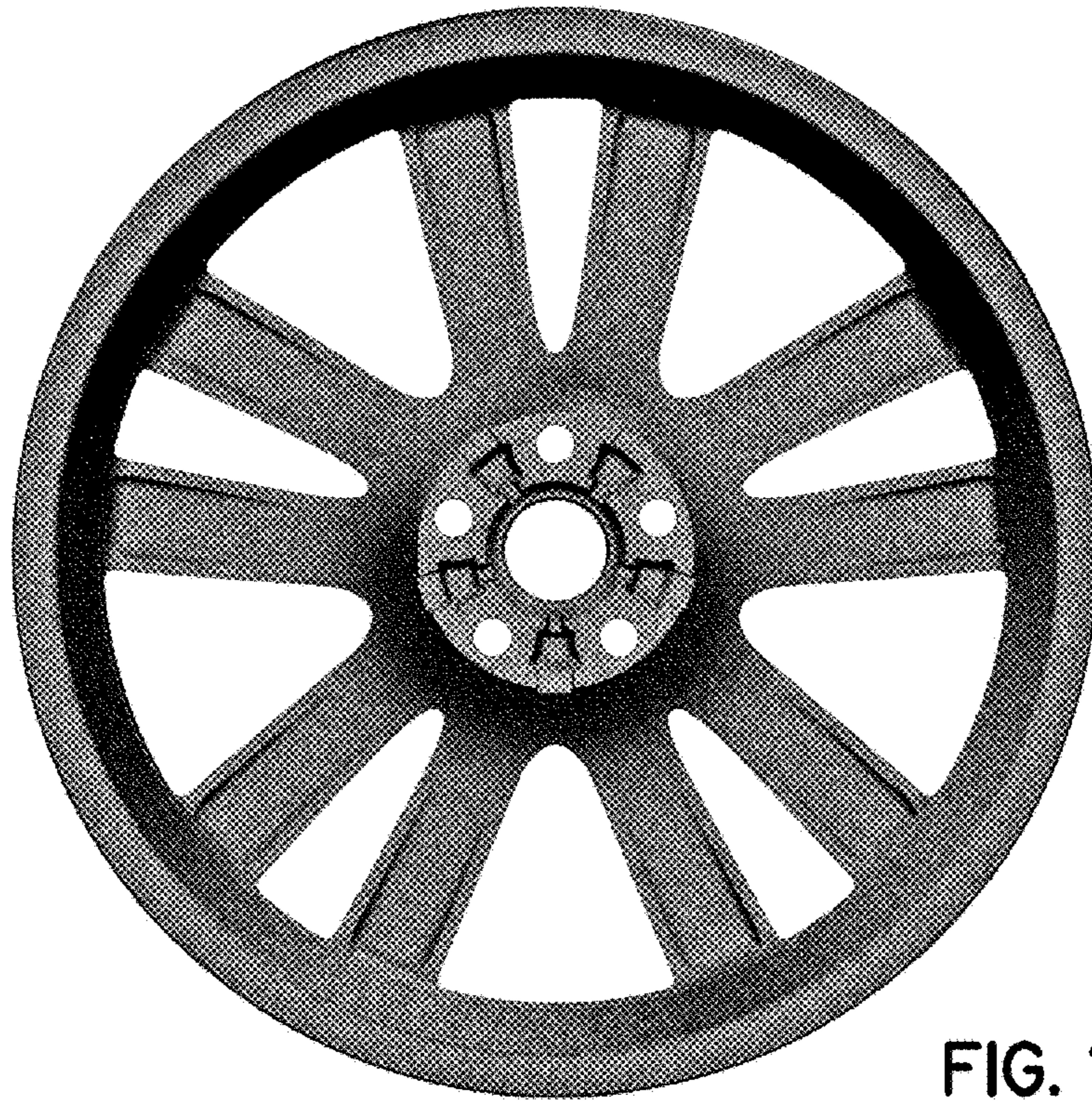


FIG. 11



FIG. 12

UNITED STATES PATENT AND TRADEMARK OFFICE
CERTIFICATE OF CORRECTION

PATENT NO. : D832,181 S
APPLICATION NO. : 29/614004
DATED : October 30, 2018
INVENTOR(S) : Adam Setter

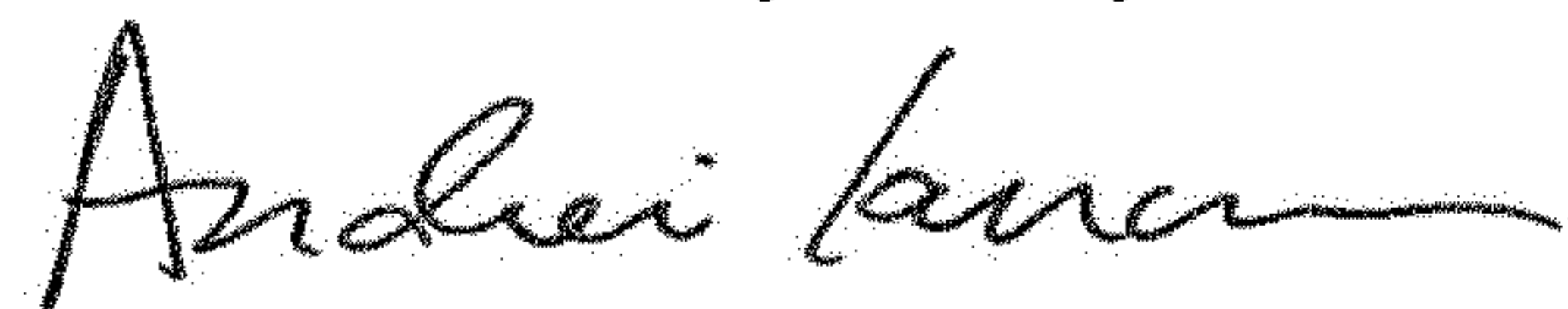
Page 1 of 1

It is certified that error appears in the above-identified patent and that said Letters Patent is hereby corrected as shown below:

On the Title Page

Item (57), Column 2, Line 1, in the Claim, "The ornamental design for wheel, as shown and described." should read --The ornamental design for a wheel, as shown and described.--.

Signed and Sealed this
Sixteenth Day of July, 2019



Andrei Iancu
Director of the United States Patent and Trademark Office