



US00D832180S

(12) **United States Design Patent**
Platto et al.

(10) **Patent No.:** **US D832,180 S**

(45) **Date of Patent:** **** Oct. 30, 2018**

(54) **VEHICLE WHEEL**

(71) Applicant: **Ford Global Technologies, LLC,**
Dearborn, MI (US)

(72) Inventors: **Gordon M. Platto,** Troy, MI (US);
Marc Cammeyer, Berkley, MI (US);
Damon G. DePeyster, Northville, MI (US)

(73) Assignee: **Ford Global Technologies, LLC,**
Dearborn, MI (US)

(**) Term: **15 Years**

(21) Appl. No.: **29/597,537**

(22) Filed: **Mar. 17, 2017**

(51) **LOC (11) Cl.** **12-16**

(52) **U.S. Cl.**
USPC **D12/211**

(58) **Field of Classification Search**
USPC D12/400, 204–213, 217, 501; D9/452,
D9/538, 541, 546, 559, 669; D7/506,
D7/539, 540, 556, 563, 567, 615, 675,
D7/677; D21/763, 771, 779, 495, 561,
D21/563

CPC B60B 7/00; B60B 7/02; B60B 7/04; B60B
7/01; B60B 7/06; B60B 3/02; B60B 3/04;
B60B 3/06; B60B 3/10; B60B 1/00;
B60B 1/08; B60B 1/10; B60B 1/12

See application file for complete search history.

(56) **References Cited**

U.S. PATENT DOCUMENTS

D515,493 S *	2/2006	Schaefers	D12/211
D521,922 S *	5/2006	Scheu	D12/211
D526,947 S *	8/2006	Kim	D12/209
D526,948 S *	8/2006	Truebsbach	D12/211

D538,215 S *	3/2007	Laengerer	D12/209
D550,140 S *	9/2007	Laengerer	D12/211
D567,738 S *	4/2008	Habib	D12/211
D576,534 S *	9/2008	Pfeiffer	D12/209
D581,339 S *	11/2008	Schweizer	D12/209
D585,010 S *	1/2009	Pollmann	D12/211
D595,203 S *	6/2009	Rak	D12/211
D608,713 S	1/2010	Bucher et al.	
D608,714 S	1/2010	Bucher et al.	
D608,715 S	1/2010	Bucher et al.	
D609,155 S	2/2010	Bucher et al.	
D617,719 S *	6/2010	Zhao	D12/211
D619,952 S *	7/2010	Juergens	D12/211
D620,870 S *	8/2010	Powell	D12/211
D622,649 S *	8/2010	Weil	D12/209
D624,862 S *	10/2010	Zhao	D12/209
D627,698 S *	11/2010	Zhang	D12/209
D635,499 S *	4/2011	Nissl	D12/211
D636,319 S *	4/2011	Toth	D12/211
D638,768 S *	5/2011	Nissl	D12/211
D658,107 S *	4/2012	Pollmann	D12/211
D666,953 S *	9/2012	Pollmann	D12/209
D671,472 S *	11/2012	Pollmann	D12/209
D673,094 S *	12/2012	Behmer	D12/209
D690,248 S *	9/2013	Bildhaeuser	D12/209
D694,693 S *	12/2013	Behmer	D12/209
D697,013 S *	1/2014	Nemeth	D12/211
D704,119 S *	5/2014	Platto	D12/209
D705,713 S *	5/2014	Wagener	D12/209

(Continued)

Primary Examiner — Susan Bennett Hattan

Assistant Examiner — Marie D. Fast Horse

(74) *Attorney, Agent, or Firm* — James Dottavio

(57) **CLAIM**

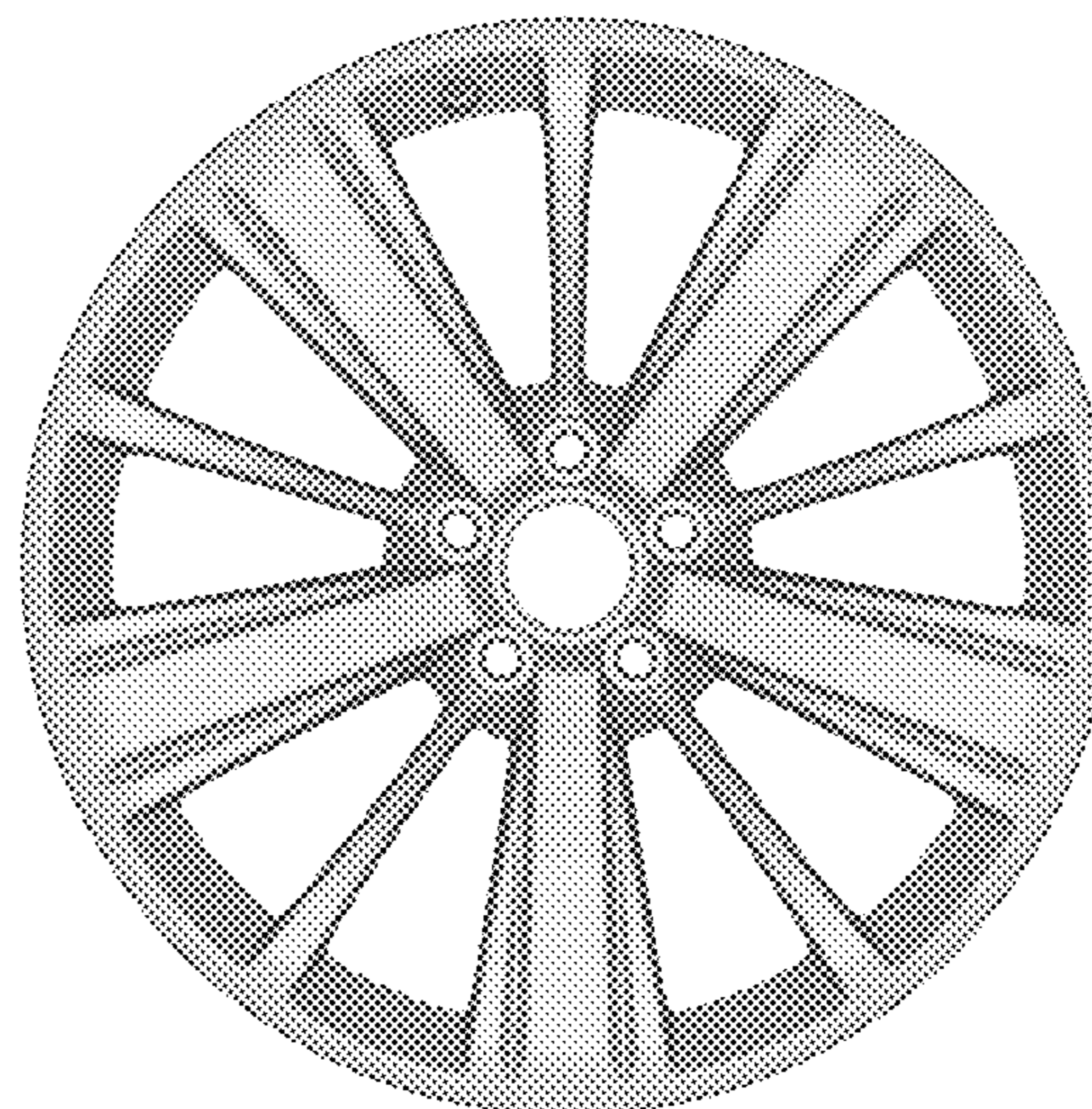
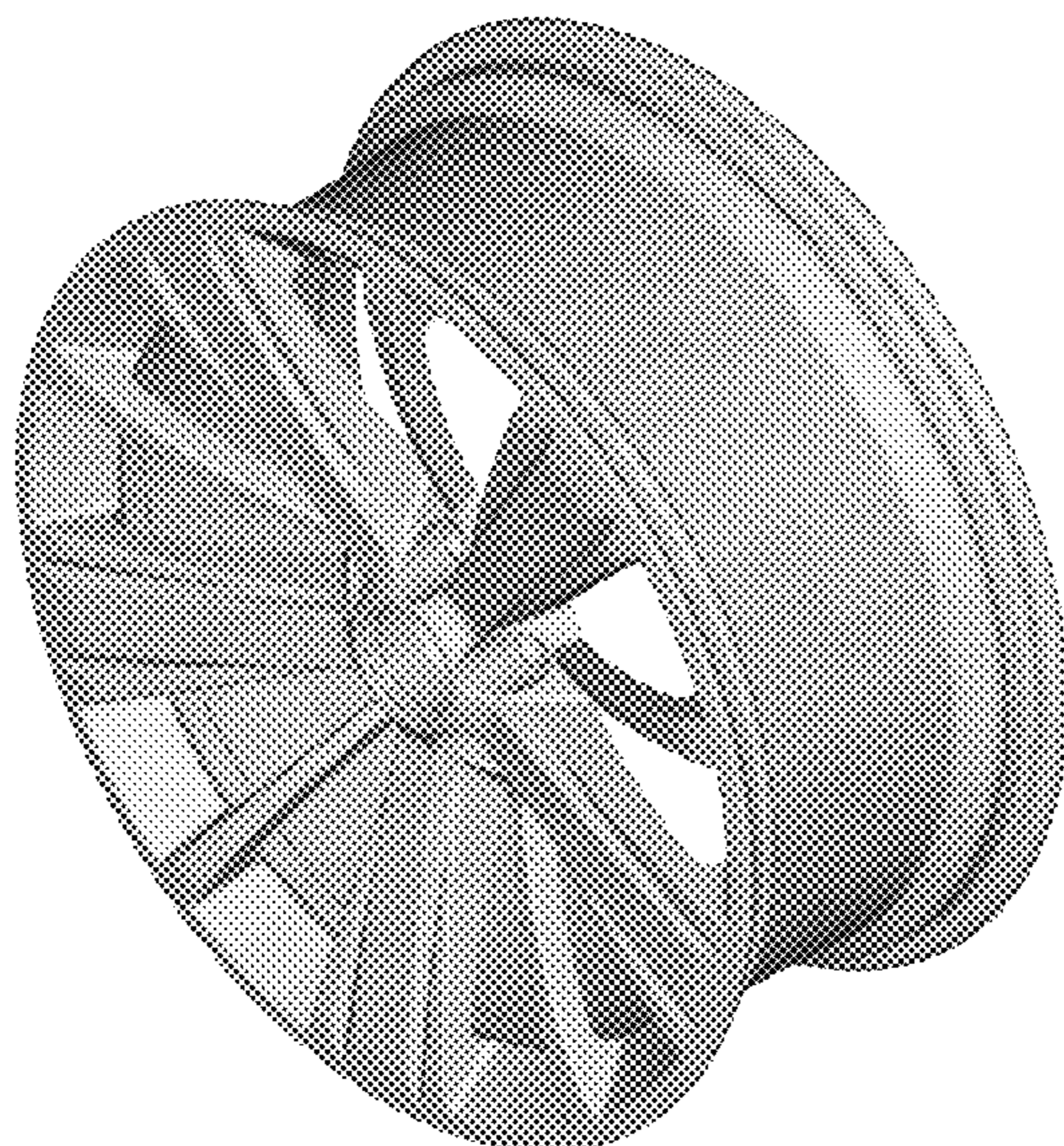
The ornamental design for a vehicle wheel, as shown.

DESCRIPTION

FIG. 1 is a top perspective view of a vehicle wheel showing our new design; and,

FIG. 2 is a front elevational view thereof.

1 Claim, 2 Drawing Sheets



(56)

References Cited

U.S. PATENT DOCUMENTS

D715,723	S	*	10/2014	Gotschke	D12/204
D721,027	S	*	1/2015	Mays	D12/209
D723,986	S	*	3/2015	Lemke	D12/209
D726,626	S	*	4/2015	Mays	D12/211
D727,824	S	*	4/2015	Garbas	D12/209
D730,800	S		6/2015	Bucher et al.	
D747,252	S	*	1/2016	Buckingham	D12/211
D750,543	S		3/2016	Bucher et al.	
D751,019	S		3/2016	Bucher et al.	
D753,572	S	*	4/2016	Juergens	D12/211
D758,278	S		6/2016	Bucher et al.	
D764,372	S		8/2016	Behmer et al.	
D765,003	S	*	8/2016	Toth	D12/211
D768,048	S	*	10/2016	Johnson	D12/211
D777,640	S	*	1/2017	Bazinski	D12/211
D781,205	S	*	3/2017	O'Neill	D12/211
D791,056	S	*	7/2017	Valencia Pollex	D12/211
D791,668	S	*	7/2017	Murase	D12/209
D792,311	S	*	7/2017	Gallert	D12/211
D793,941	S	*	8/2017	Badstuebner	D12/211
D803,136	S	*	11/2017	Platto	D12/211
D805,994	S	*	12/2017	Platto	D12/211
D806,632	S	*	1/2018	Peat	D12/211
D820,761	S	*	6/2018	Badstuebner	D12/211

* cited by examiner

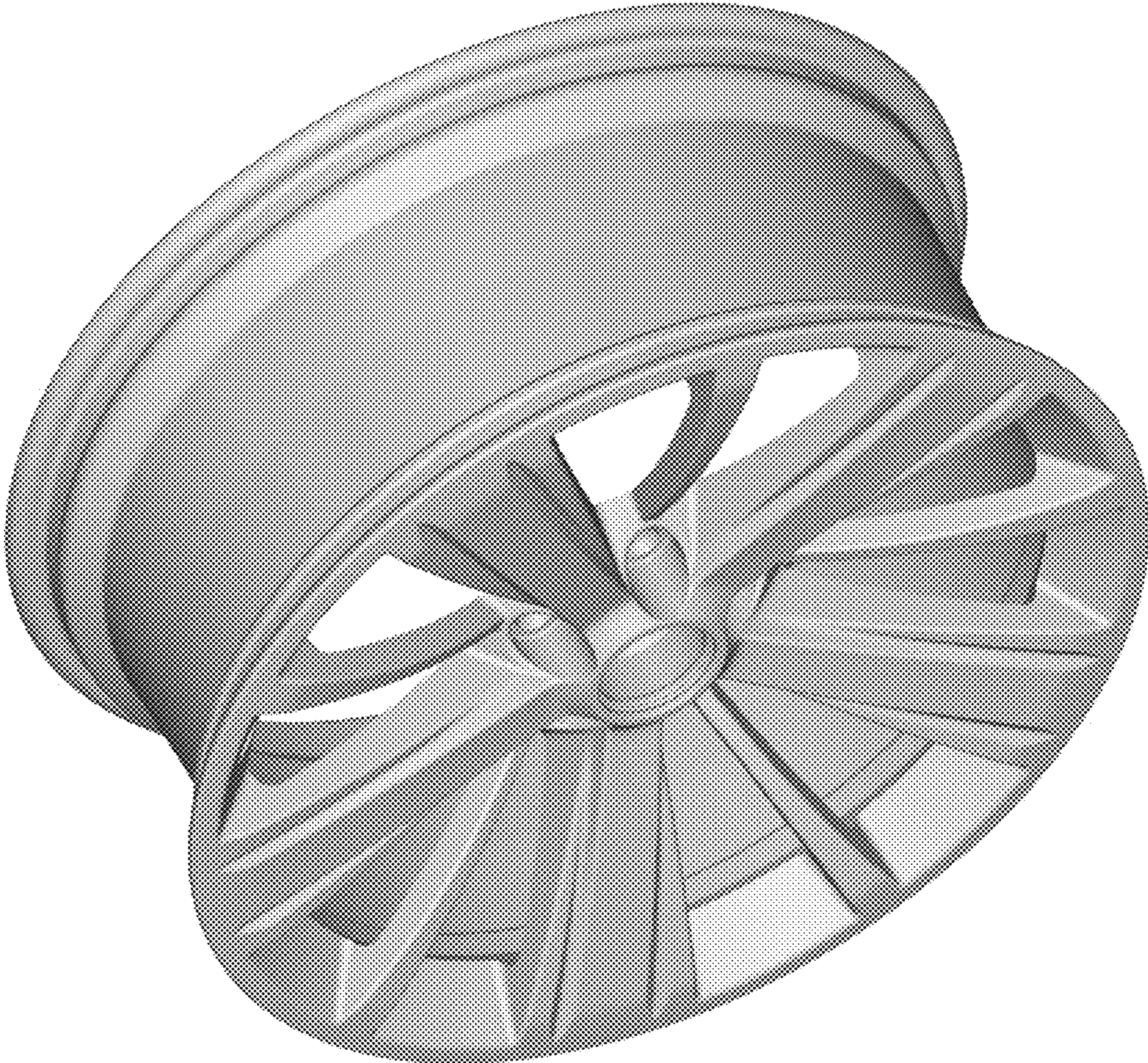


Figure 1



Figure 2