



US00D832178S

(12) **United States Design Patent**
Hodges

(10) **Patent No.:** **US D832,178 S**

(45) **Date of Patent:** **** Oct. 30, 2018**

(54) **WHEEL**

(71) Applicant: **Frank J. Hodges**, Corona, CA (US)

(72) Inventor: **Frank J. Hodges**, Corona, CA (US)

(**) Term: **15 Years**

(21) Appl. No.: **29/571,551**

(22) Filed: **Jul. 19, 2016**

(51) **LOC (11) Cl.** **12-16**

(52) **U.S. Cl.**
USPC **D12/211**

(58) **Field of Classification Search**
USPC D12/204–213
CPC B60B 7/00; B60B 7/02; B60B 7/04; B60B 7/01; B60B 7/06; B60B 3/02; B60B 3/04; B60B 3/06; B60B 3/10; B60B 1/00; B60B 1/08; B60B 1/10; B60B 1/12
See application file for complete search history.

(56) **References Cited**

U.S. PATENT DOCUMENTS

D460,035 S *	7/2002	Wiesinger	D12/211
D522,954 S *	6/2006	Hueller	D12/211
D543,923 S *	6/2007	Hieke	D12/211
D634,690 S *	3/2011	Wiesinger	D12/211
D639,227 S *	6/2011	Leclercq	D12/211
D666,959 S *	9/2012	Lucaora	D12/211
D681,539 S *	5/2013	Zhao	D12/211

D682,183 S *	5/2013	Zhao	D12/211
D682,185 S *	5/2013	Zhao	D12/211
D687,757 S *	8/2013	Lemke	D12/211
D697,017 S *	1/2014	Holstein	D12/211
D720,273 S *	12/2014	Hilpert	D12/211
D722,002 S *	2/2015	Stolz	D12/211
D723,996 S *	3/2015	Zhao	D12/211
D731,945 S *	6/2015	Kern	D12/211
D732,452 S *	6/2015	Chung	D12/211
D741,245 S *	10/2015	Zhao	D12/211
D754,050 S *	4/2016	Rueckheim	D12/211
D758,946 S *	6/2016	Zhao	D12/211
D763,165 S *	8/2016	Hans	D12/211
D768,048 S *	10/2016	Johnson	D12/211
D777,640 S *	1/2017	Bazinski	D12/211
D781,204 S *	3/2017	Peat	D12/211
D782,954 S *	4/2017	Liffick	D12/211

* cited by examiner

Primary Examiner — Stacia A Cadmus

(74) *Attorney, Agent, or Firm* — Eric B. Alspaugh

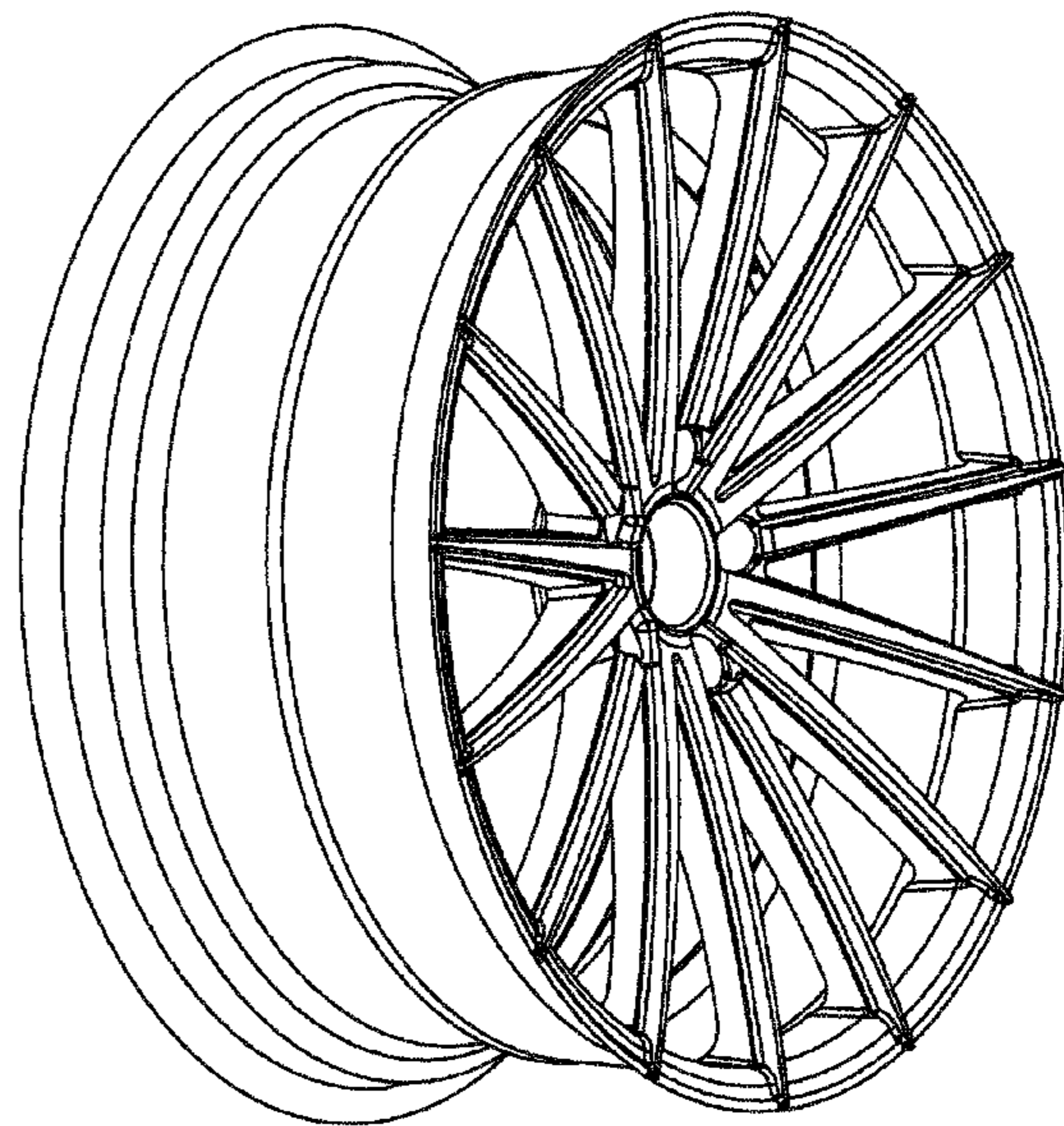
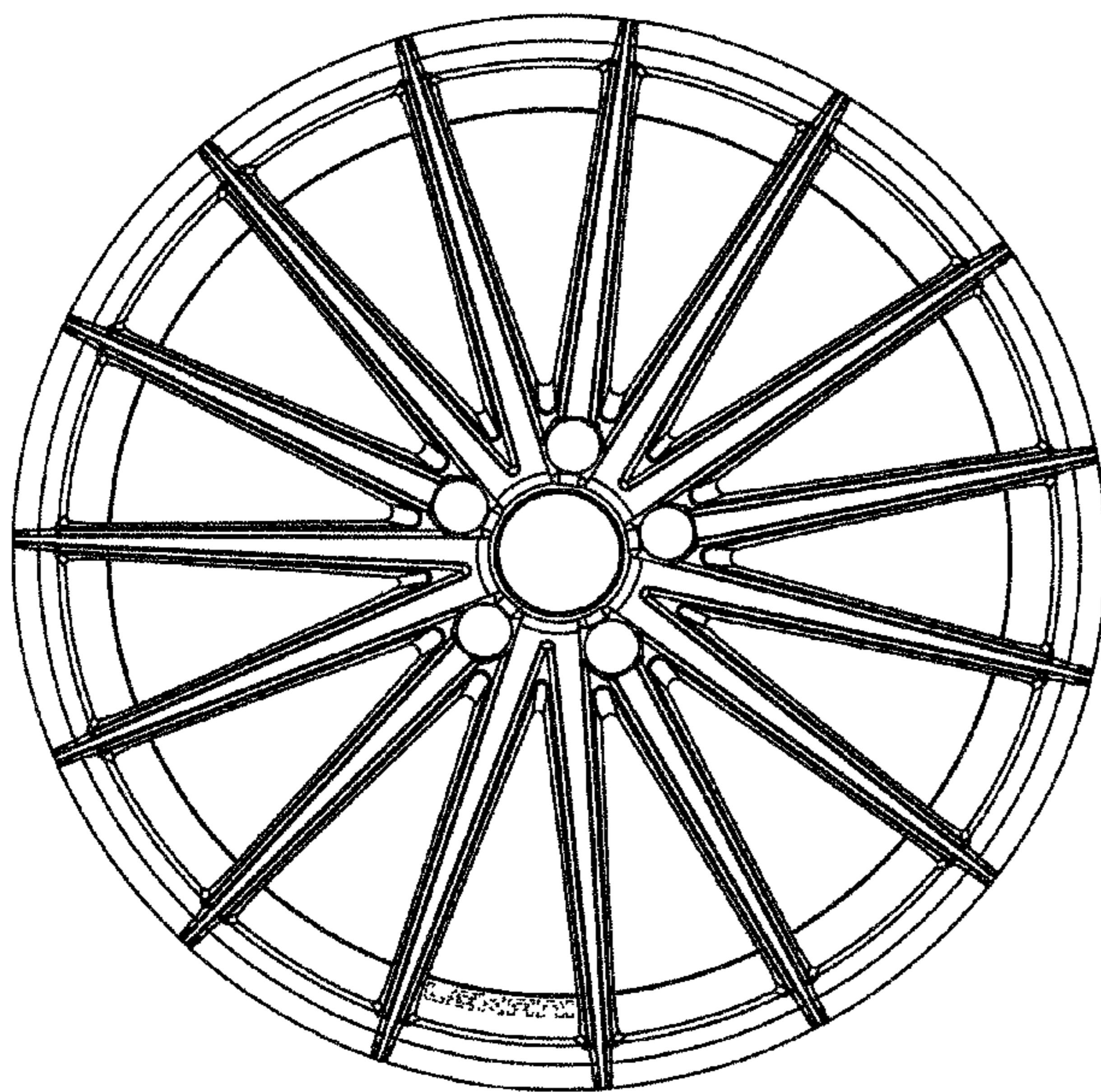
(57) **CLAIM**

The ornamental design for a wheel, as shown and described.

DESCRIPTION

FIG. 1 is a front view of a wheel showing my new design; and, FIG. 2 is an oblique view thereof. In the drawings, the broken lines depict environmental subject matter only and form no part of the claimed design.

1 Claim, 2 Drawing Sheets



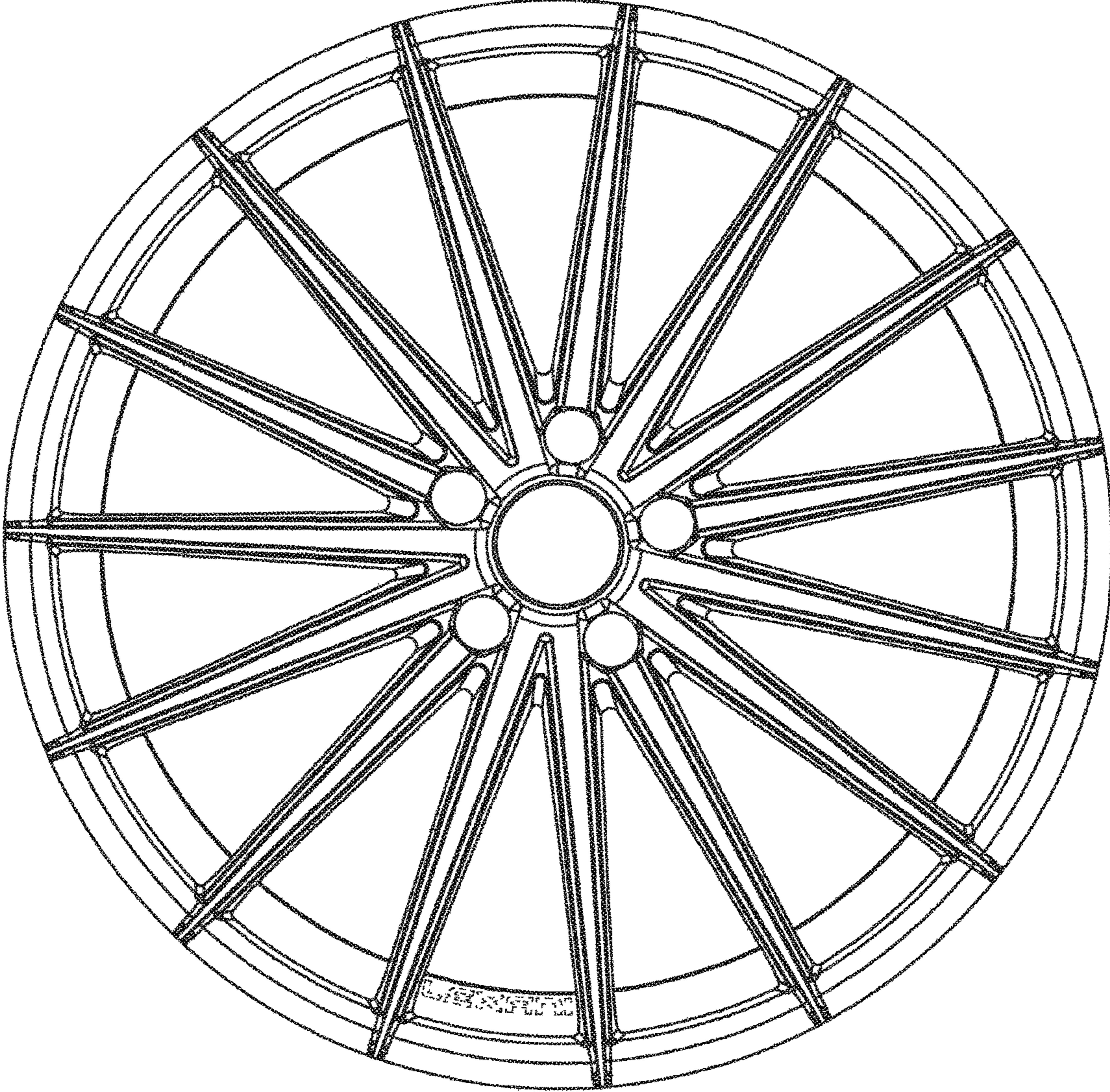


FIG. 1

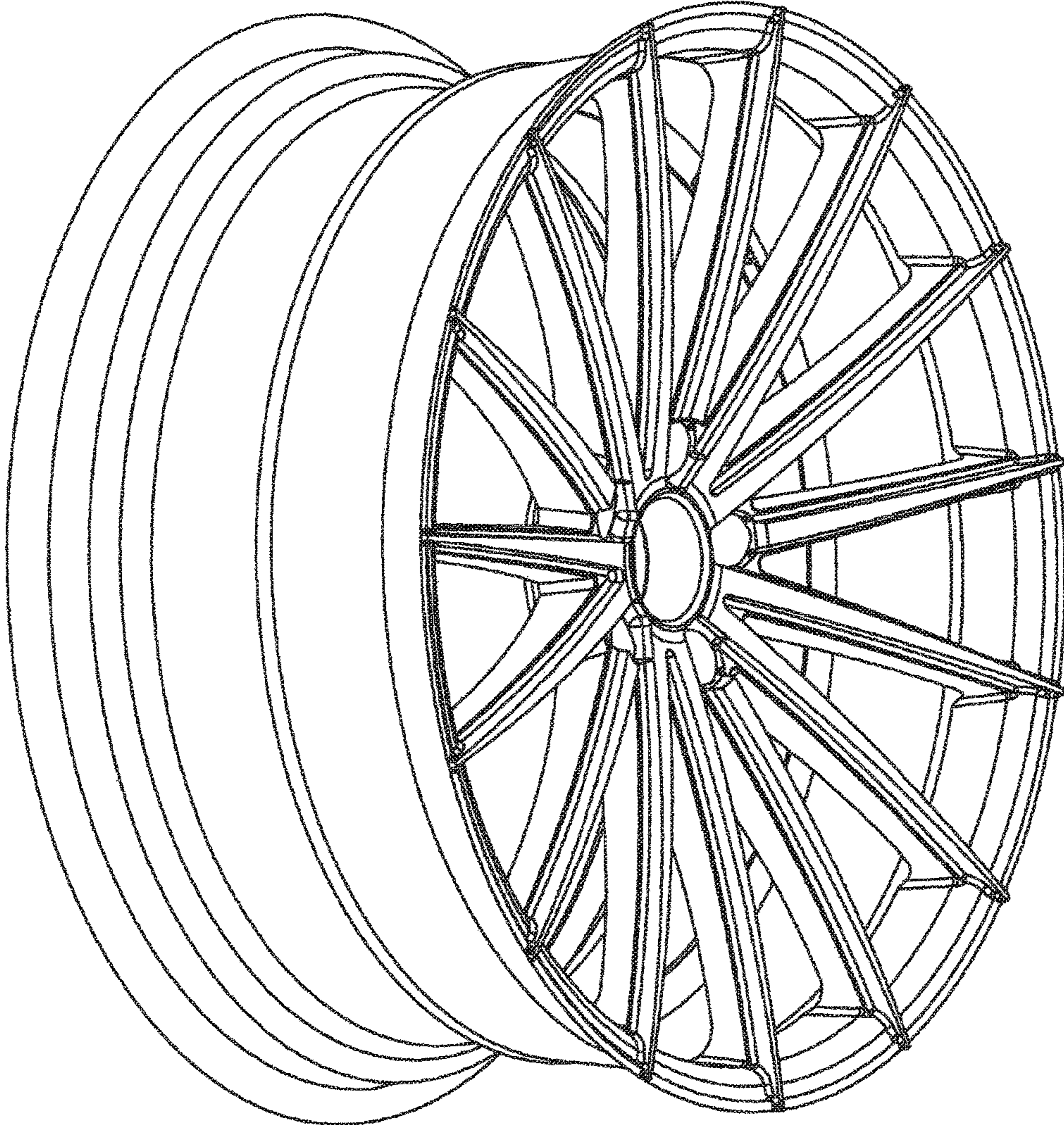


FIG. 2