



US00D832167S

(12) **United States Design Patent** (10) **Patent No.:** **US D832,167 S**
Loeb (45) **Date of Patent:** **** Oct. 30, 2018**

(54) **VEHICLE SIDE MIRROR**
(71) Applicant: **GM GLOBAL TECHNOLOGY OPERATIONS LLC**, Detroit, MI (US)
(72) Inventor: **Niels A. Loeb**, Wiesbaden (DE)
(73) Assignee: **GM Global Technology Operations LLC**, Detroit, MI (US)
(**) Term: **15 Years**
(21) Appl. No.: **29/597,328**
(22) Filed: **Mar. 16, 2017**
(51) **LOC (11) Cl.** **12-16**
(52) **U.S. Cl.**
USPC **D12/187**
(58) **Field of Classification Search**
USPC D12/187, 188, 189; D6/300, 309
CPC B60R 1/08; B60R 1/081; B60R 1/082;
B60R 1/074; B60R 1/076; B60R 1/078;
B60R 1/06; G02B 5/08; G02B 7/18;
G02B 7/182; B60Q 1/2665
See application file for complete search history.

(56) **References Cited**

U.S. PATENT DOCUMENTS

D554,032 S * 10/2007 Bengtsson D12/187
D570,742 S 6/2008 Takagi et al.
D571,698 S * 6/2008 Imai D12/187
D592,105 S 5/2009 Dean et al.
D597,447 S 8/2009 Folden
D600,595 S 9/2009 Nakamura et al.
D601,925 S 10/2009 O'Donnell
D603,755 S 11/2009 Peters
D604,203 S 11/2009 O'Donnell
D605,082 S 12/2009 Munson
D605,083 S 12/2009 Manoogian, II et al.
D605,977 S 12/2009 Zipfel et al.
D605,978 S 12/2009 Wolff et al.

D608,249 S 1/2010 Peters
D608,690 S 1/2010 Folden et al.
D608,691 S 1/2010 Zak, Jr. et al.
D609,608 S 2/2010 Boniface et al.
D611,387 S 3/2010 Thompson et al.
D611,879 S 3/2010 Kim et al.
D612,297 S 3/2010 Peters et al.
D613,645 S 4/2010 Song et al.
D615,458 S 5/2010 Thompson et al.
D618,595 S 6/2010 Ware et al.
D623,090 S 9/2010 Cox et al.
D627,262 S 11/2010 Ikeda et al.
D635,488 S 4/2011 Phipps
D644,147 S 8/2011 Suh et al.
D644,567 S 9/2011 Kozub
D654,414 S * 2/2012 Elmitt D12/187
D657,718 S 4/2012 Zipfel et al.
D659,052 S 5/2012 Ware et al.
D659,053 S 5/2012 Ware et al.
D668,182 S 10/2012 Barba Franco et al.
D668,183 S 10/2012 Smart

(Continued)

Primary Examiner — Karen S Acker
Assistant Examiner — Jerry Shiuan-Hua Hsu
(74) *Attorney, Agent, or Firm* — Reising Ethington P.C.

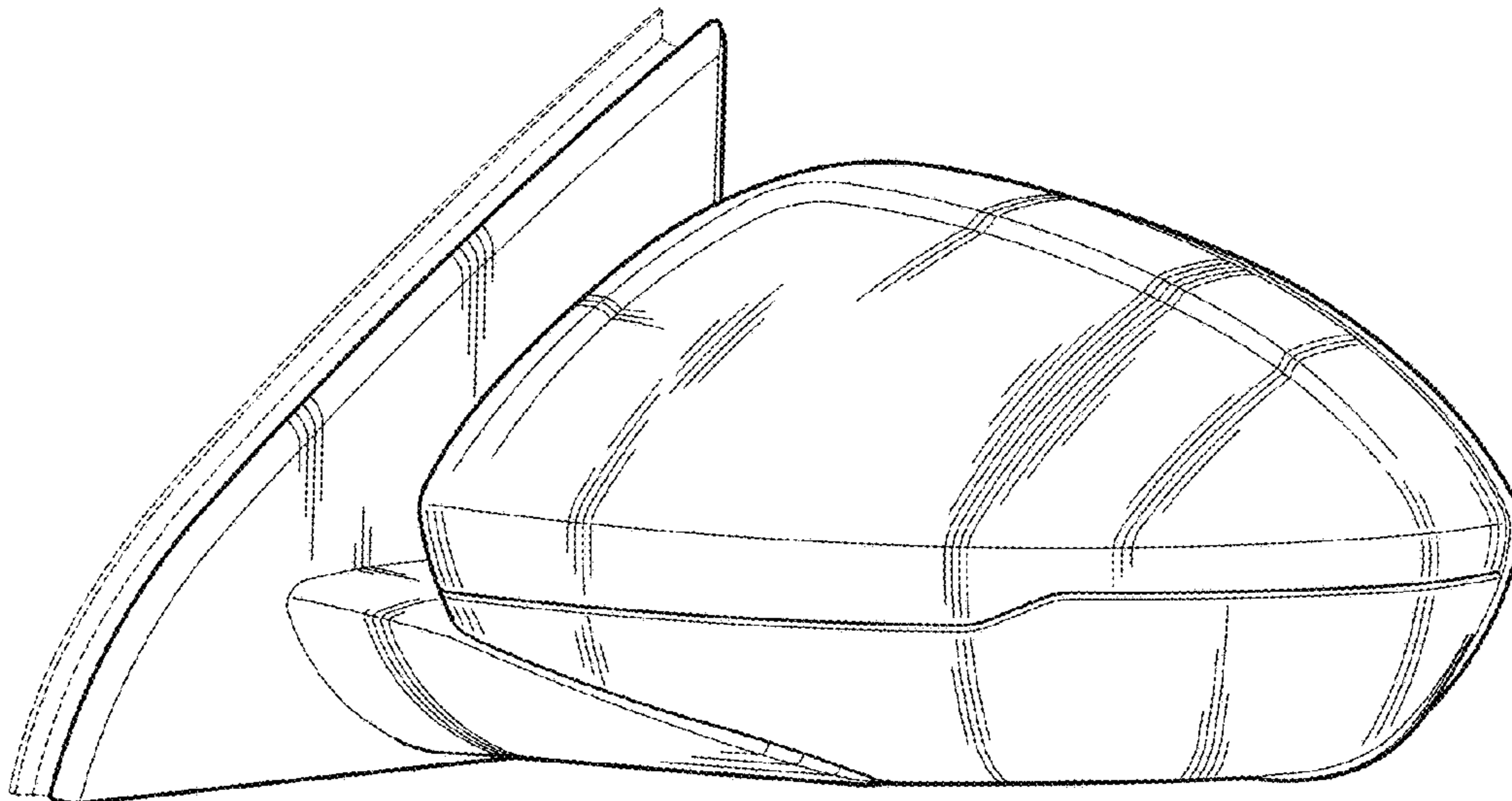
(57) **CLAIM**

The ornamental design for a vehicle side mirror, as shown and described.

DESCRIPTION

FIG. 1 is a perspective view of the vehicle side mirror;
FIG. 2 is a side view thereof;
FIG. 3 is a front view thereof;
FIG. 4 is a rear view thereof;
FIG. 5 is a top view thereof; and,
FIG. 6 is a bottom view thereof.
The broken lines shown in the drawings depict portions of the vehicle side mirror that form no part of the claimed design.

1 Claim, 4 Drawing Sheets



(56)

References Cited

U.S. PATENT DOCUMENTS

D678,820 S	3/2013	Son et al.	D749,246 S	2/2016	Thole et al.
D678,821 S	3/2013	Ikeda et al.	D749,249 S	2/2016	Thole et al.
D680,909 S	4/2013	Munson et al.	D749,250 S	2/2016	Thole et al.
D680,910 S	4/2013	David	D749,985 S	2/2016	Kozub et al.
D684,899 S	6/2013	Baker	D749,997 S	2/2016	McMahan et al.
D686,536 S	7/2013	McCabe et al.	D750,001 S	2/2016	Thole et al.
D692,798 S	11/2013	Thurber	D753,032 S	4/2016	Smith et al.
D692,799 S	11/2013	Smith et al.	D753,033 S	4/2016	Thole et al.
D696,157 S	12/2013	Loeb	D753,034 S	4/2016	Thole et al.
D699,629 S	2/2014	Ikeda et al.	D753,035 S	4/2016	Boniface et al.
D699,652 S *	2/2014	Futschik D12/187	D753,559 S	4/2016	McMahan et al.
D700,871 S	3/2014	O'Donnell et al.	D753,560 S	4/2016	McMahan et al.
D703,103 S	4/2014	Lee	D753,567 S	4/2016	Boniface et al.
D704,103 S	5/2014	Mack et al.	D754,571 S	4/2016	Boniface et al.
D705,132 S	5/2014	Ware et al.	D754,572 S	4/2016	McMahan et al.
D705,699 S	5/2014	Ware et al.	D755,088 S	5/2016	McMahan et al.
D708,560 S *	7/2014	George D12/187	D756,869 S	5/2016	McMahan et al.
D710,776 S *	8/2014	Hall D12/187	D758,271 S	6/2016	McMahan et al.
D713,298 S	9/2014	Dyson	D764,975 S	8/2016	Aengenheyster
D713,764 S	9/2014	Ferlazzo et al.	D764,976 S	8/2016	Aengenheyster
D716,696 S	11/2014	Thole et al.	D767,449 S	9/2016	Pevovar et al.
D716,706 S	11/2014	Thole et al.	D767,450 S	9/2016	Lee et al.
D716,709 S	11/2014	Thole et al.	D767,451 S	9/2016	Kozub et al.
D717,696 S	11/2014	Thole et al.	D767,454 S	9/2016	McMahan et al.
D718,189 S	11/2014	Krieg et al.	D767,458 S	9/2016	Kim
D718,683 S	12/2014	Thole et al.	D767,459 S	9/2016	Kim
D722,282 S	2/2015	Loeb	D767,460 S	9/2016	Kozub et al.
D722,533 S	2/2015	Thole et al.	D767,461 S	9/2016	Kozub et al.
D722,534 S	2/2015	Munson et al.	D771,528 S	11/2016	Smith et al.
D724,510 S	3/2015	McMahan et al.	D771,529 S	11/2016	Thole et al.
D725,001 S	3/2015	McMahan et al.	D771,532 S	11/2016	Kapitonov
D726,591 S	4/2015	Jacob	D771,533 S	11/2016	Kapitonov
D727,230 S *	4/2015	Kao D12/187	D772,766 S	11/2016	Kozub et al.
D730,776 S	6/2015	Smart	D772,767 S	11/2016	Kim
D730,783 S	6/2015	Henriques et al.	D773,084 S	11/2016	Kapitonov
D732,427 S	6/2015	Loeb	D773,086 S	11/2016	McCabe et al.
D732,429 S	6/2015	Loeb	D774,226 S	12/2016	McCabe et al.
D732,430 S	6/2015	Loeb	D775,003 S	12/2016	Pevovar et al.
D732,431 S	6/2015	Loeb	D775,007 S	12/2016	Thole et al.
D732,432 S	6/2015	Aengenheyster	D775,010 S	12/2016	Kim et al.
D732,433 S	6/2015	Aengenheyster	D775,049 S	12/2016	Scheer et al.
D732,435 S	6/2015	Mackay	D775,549 S	1/2017	Karras
D733,002 S	6/2015	Loeb	D775,554 S	1/2017	Kapitonov
D735,611 S	8/2015	Aengenheyster	D776,020 S	1/2017	Kapitonov
D735,627 S	8/2015	Smith	D776,581 S	1/2017	Pevovar et al.
D736,451 S	8/2015	Smith	D776,583 S	1/2017	Scheer et al.
D739,306 S	9/2015	McMahan	D776,841 S	1/2017	Kozub et al.
D739,317 S	9/2015	McMahan et al.	D776,843 S	1/2017	McCabe et al.
D741,223 S	10/2015	Kim et al.	D776,846 S	1/2017	Willett et al.
D743,309 S	11/2015	Thole et al.	D777,068 S *	1/2017	Sterner D12/187
D743,313 S	11/2015	Smith et al.	D777,359 S	1/2017	Kozub et al.
D743,314 S	11/2015	Thole et al.	D777,360 S	1/2017	Kozub et al.
D743,857 S	11/2015	McMahan et al.	D777,361 S	1/2017	Kozub et al.
D744,158 S	11/2015	Willett et al.	D777,604 S	1/2017	McNerney
D745,086 S	12/2015	Finos et al.	D777,605 S	1/2017	Ferlazzo et al.
D745,719 S	12/2015	Boniface et al.	D777,620 S	1/2017	Pevovar et al.
D745,725 S	12/2015	McMahan et al.	D777,621 S	1/2017	Kim
D745,726 S	12/2015	McMahan et al.	D777,622 S	1/2017	Kozub et al.
D745,837 S	12/2015	Smith et al.	D777,628 S	1/2017	Kozub et al.
D746,726 S	1/2016	Smith et al.	D777,955 S	1/2017	Willett et al.
D746,727 S	1/2016	Smith et al.	D778,212 S	2/2017	Kozub et al.
D746,728 S	1/2016	Smith et al.	D778,215 S	2/2017	Kozub et al.
D746,729 S	1/2016	Boniface et al.	D780,081 S	2/2017	Lee
D746,730 S	1/2016	Kim et al.	D780,084 S	2/2017	Scheer et al.
D747,514 S	1/2016	McMahan et al.	D785,524 S *	5/2017	Kim D12/187
D747,515 S	1/2016	McMahan et al.	D797,537 S *	9/2017	Cooper D8/87
D747,819 S	1/2016	Thole et al.	2008/0247068 A1 *	10/2008	Wakabayashi B60R 1/06 359/871
D749,021 S	2/2016	Boniface et al.	2012/0008332 A1 *	1/2012	Pastrick B60Q 1/2665 362/494
D749,026 S	2/2016	Smith et al.	2013/0062496 A1 *	3/2013	Niessen B60R 1/06 248/475.1
D749,027 S	2/2016	McMahan et al.			

* cited by examiner

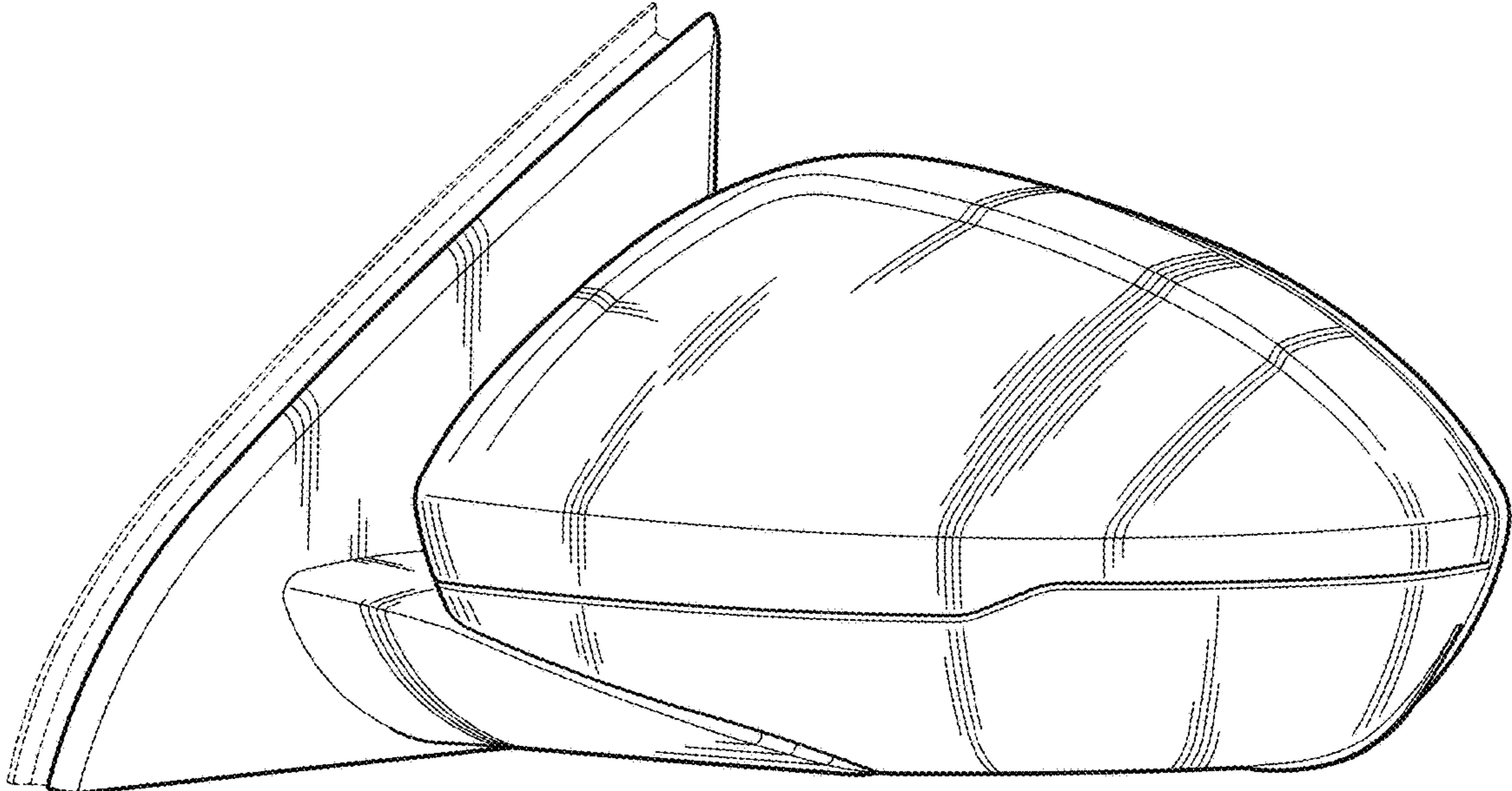


FIG. 1

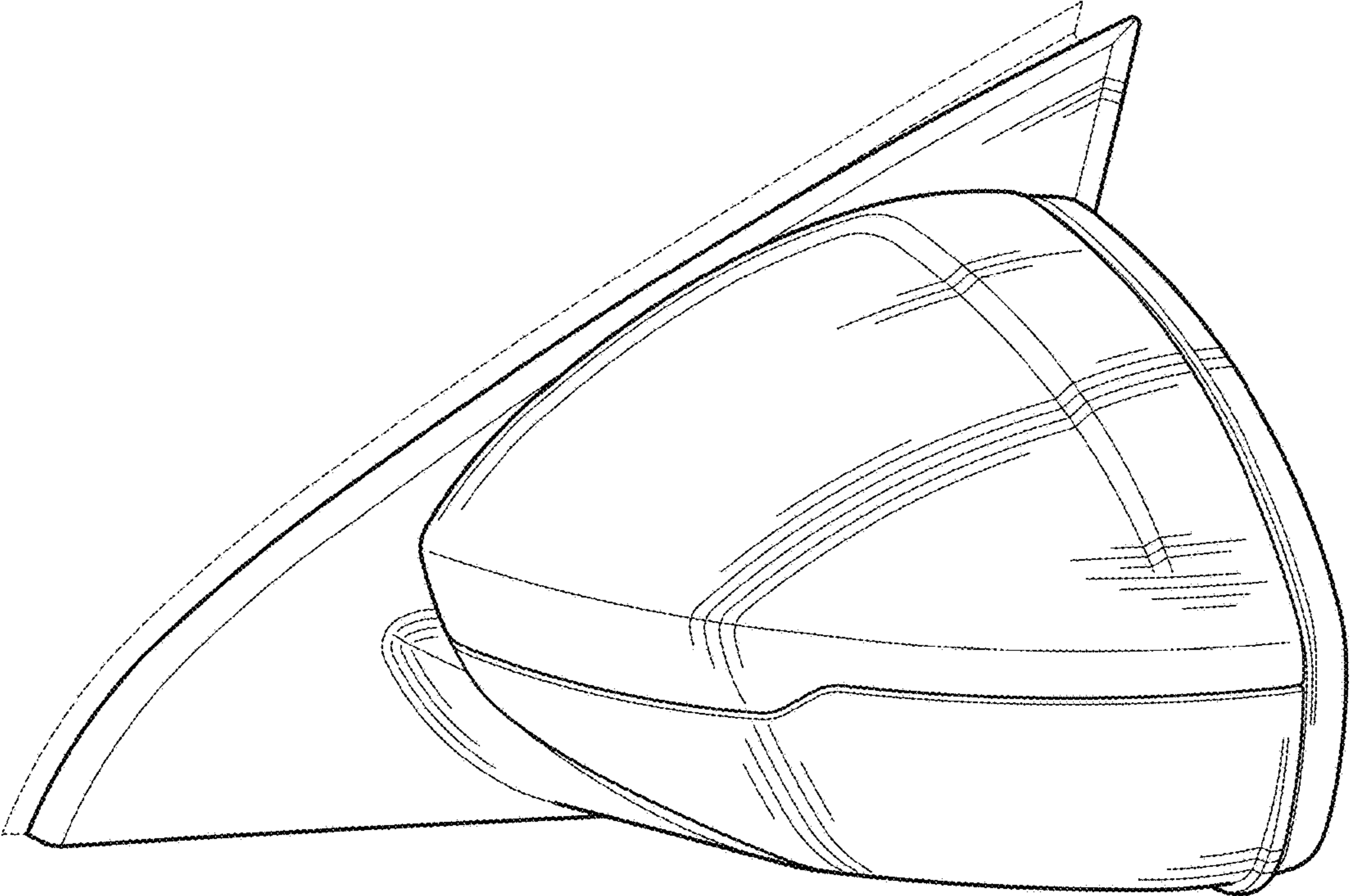


FIG. 2

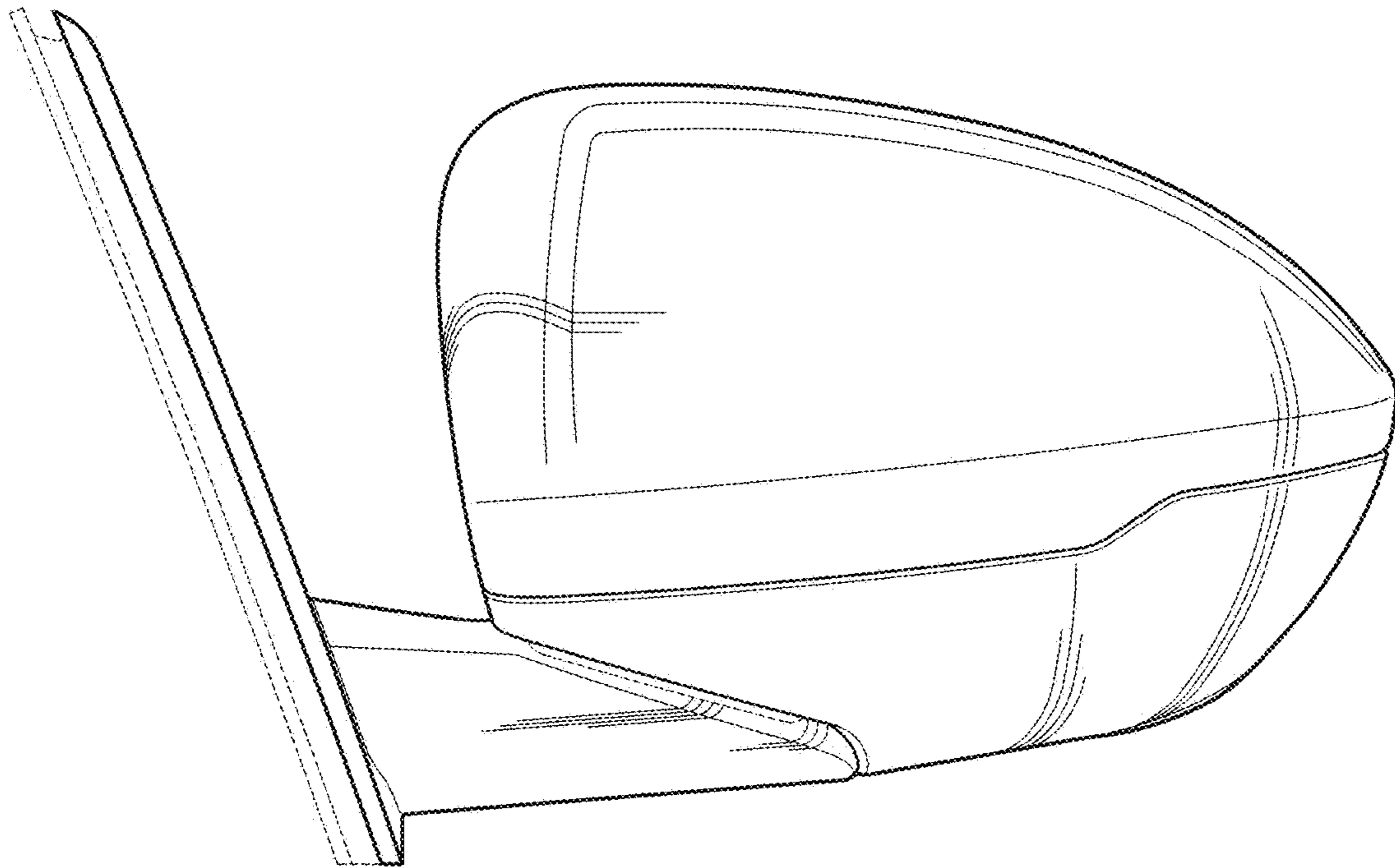


FIG. 3

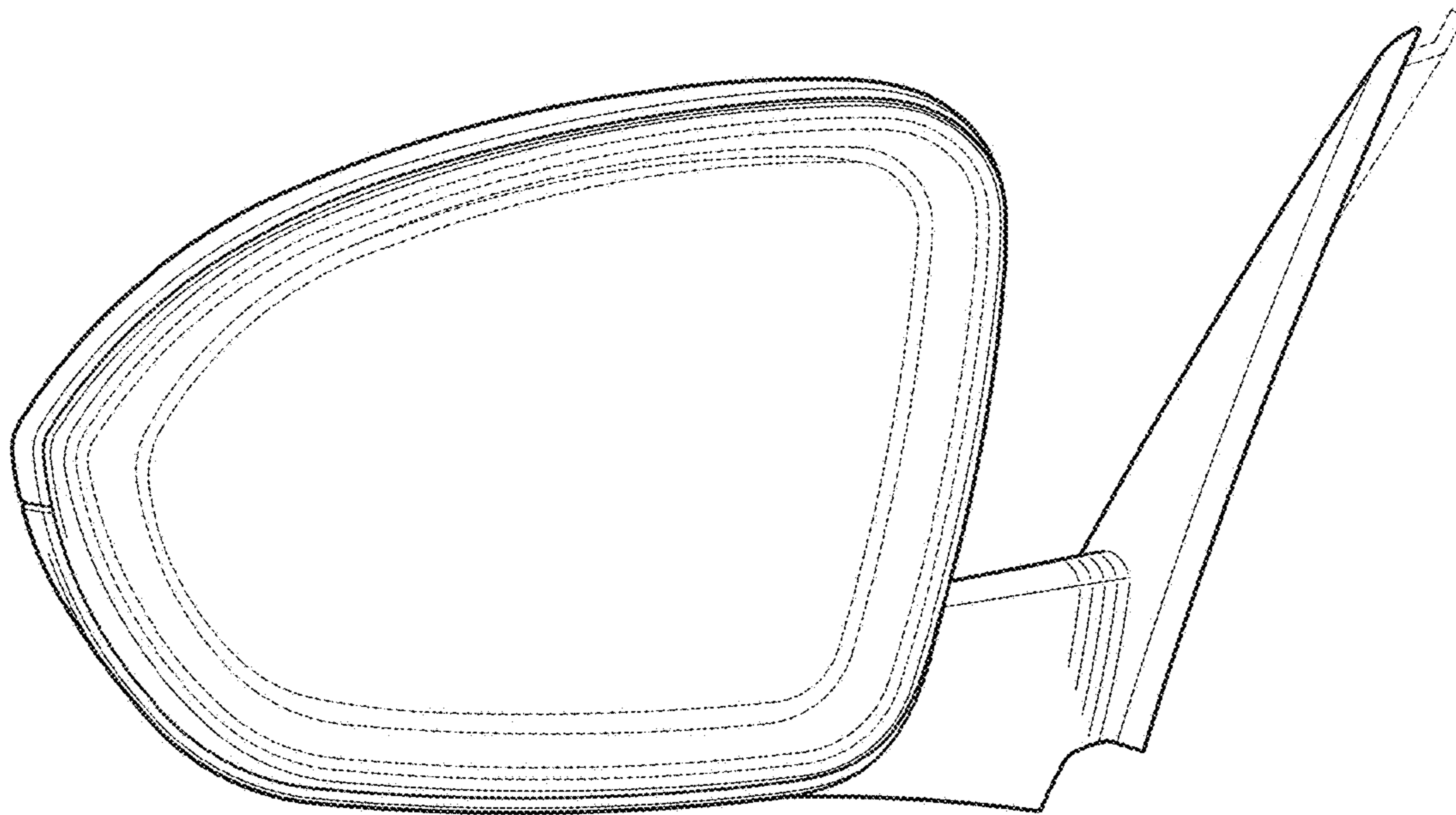


FIG. 4

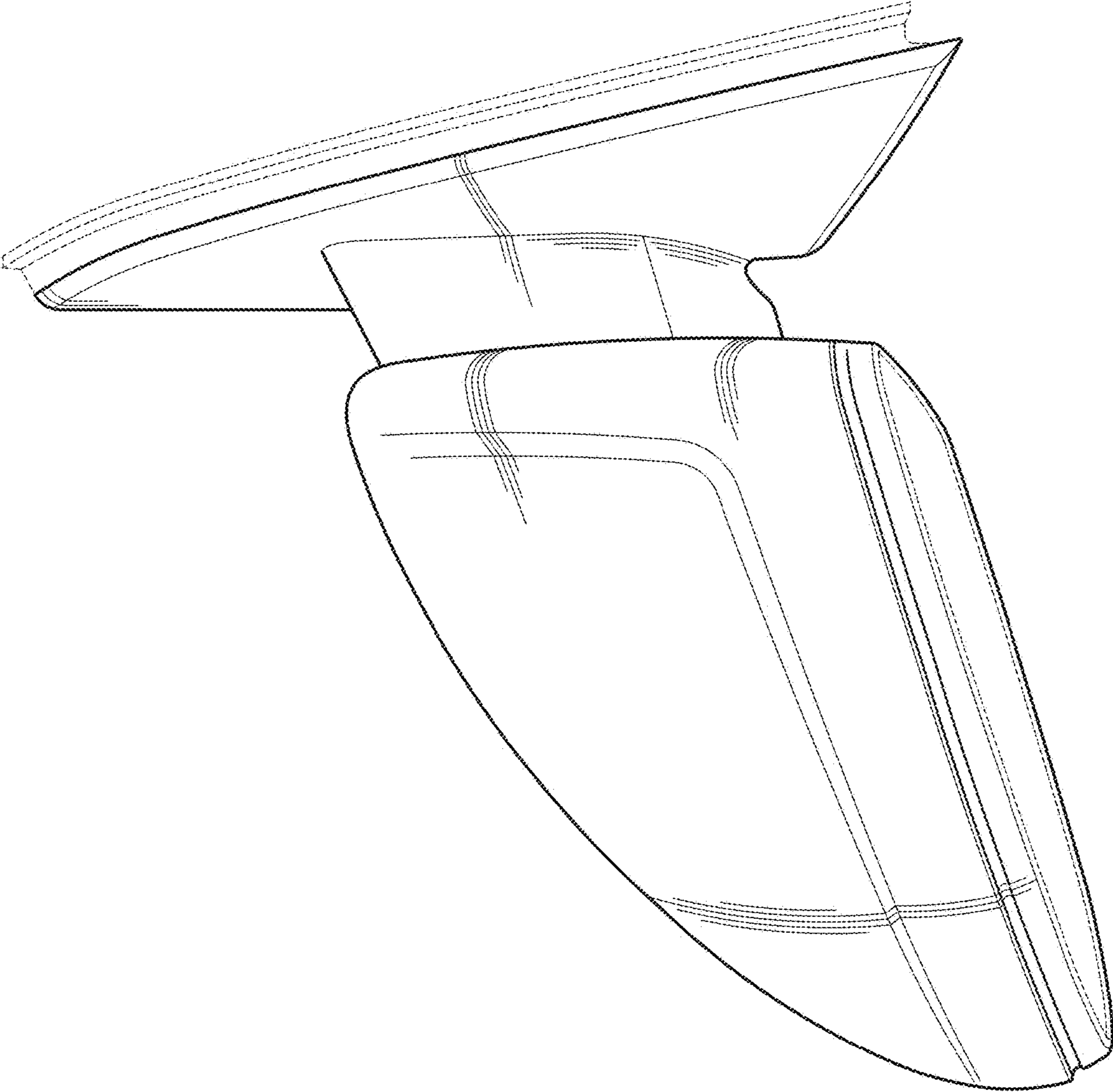


FIG. 5

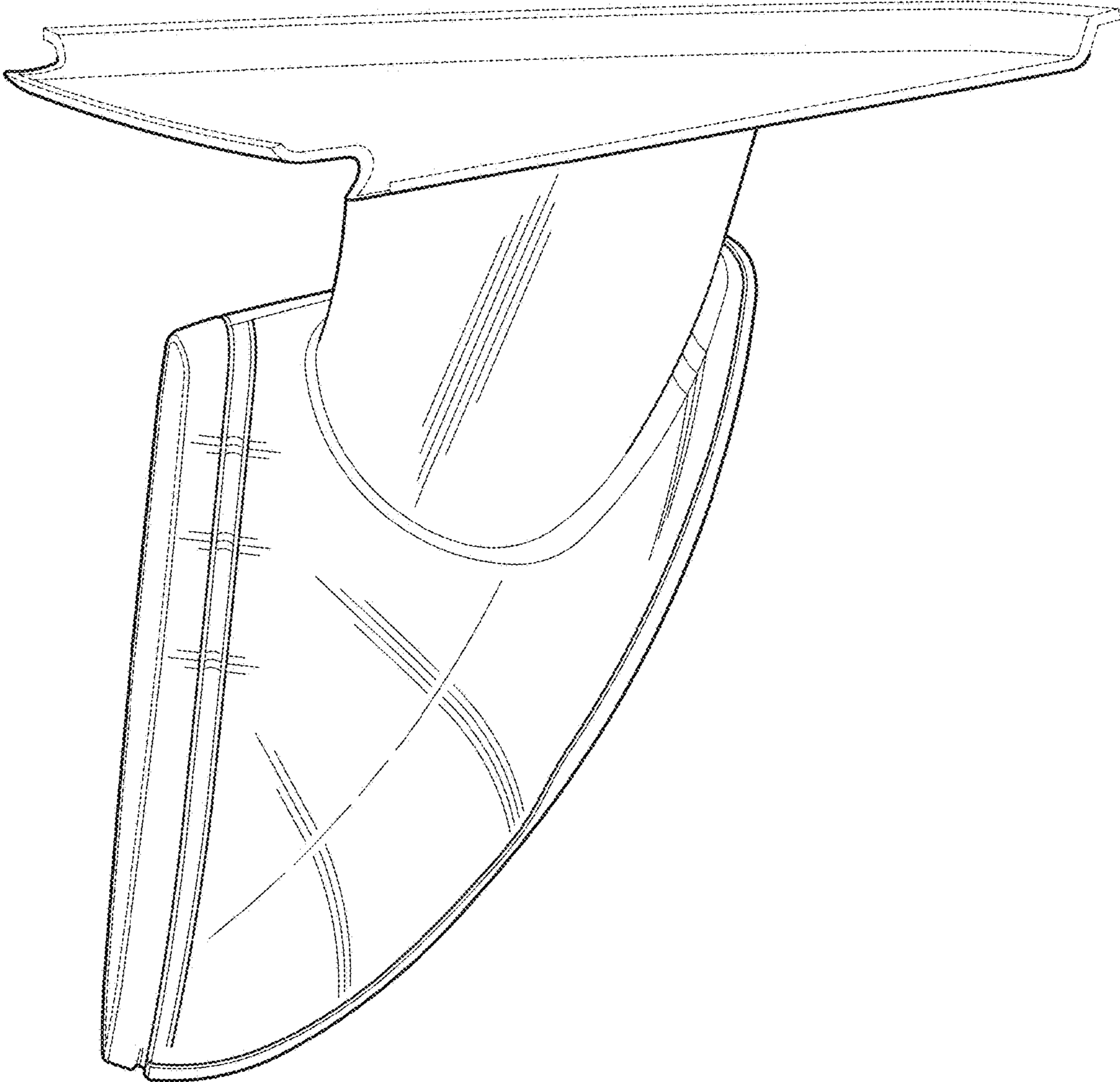


FIG. 6