



US00D832162S

(12) **United States Design Patent** (10) **Patent No.:** **US D832,162 S**
McConnell et al. (45) **Date of Patent:** **** Oct. 30, 2018**

(54) **FOOT PEDAL**

(71) Applicant: **Exmark Manufacturing Company, Incorporated**, Beatrice, NE (US)

(72) Inventors: **Kenneth L. McConnell**, Lincoln, NE (US); **Joseph J. Oliver**, Lincoln, NE (US)

(73) Assignee: **Exmark Manufacturing Company, Incorporated**, Beatrice, NE (US)

(**) Term: **15 Years**

(21) Appl. No.: **29/565,898**

(22) Filed: **May 25, 2016**

(51) **LOC (11) Cl.** **12-16**

(52) **U.S. Cl.**
USPC **D12/174**

(58) **Field of Classification Search**
USPC D12/14, 125, 174, 179, 180
See application file for complete search history.

(56) **References Cited**

U.S. PATENT DOCUMENTS

1,297,202 A	3/1919	McGiehan	
5,398,570 A *	3/1995	Chae	G05G 1/483 280/259
5,884,534 A	3/1999	Knoll et al.	
D418,466 S *	1/2000	Hussaini	D12/125
D420,623 S *	2/2000	Hussaini	D12/125
D424,487 S *	5/2000	Asakura	D12/174
D424,994 S *	5/2000	Asakura	D12/174
D425,838 S *	5/2000	Hussaini	D12/174

(Continued)

FOREIGN PATENT DOCUMENTS

EP 1 942 390 A1 7/2008

OTHER PUBLICATIONS

eBay.com: Jdm Mazda Miata Mx5 NA MX-5 RHD Manual M/T Clutch & Brake Pedal Conversion 90-97. Undated. 3 pages. Found online Jun. 5, 2018 at <https://www.ebay.com/itm/Jdm-Mazda-Miata-Mx5-NA-MX-5-RHD-Manual-M-T-Clutch-Brake-Pedal-Conversion-90-97-/371410486943> (Year: 2018).*

(Continued)

Primary Examiner — Robert M. Spear

(74) *Attorney, Agent, or Firm* — Mueting, Raasch & Gebhardt, P.A.

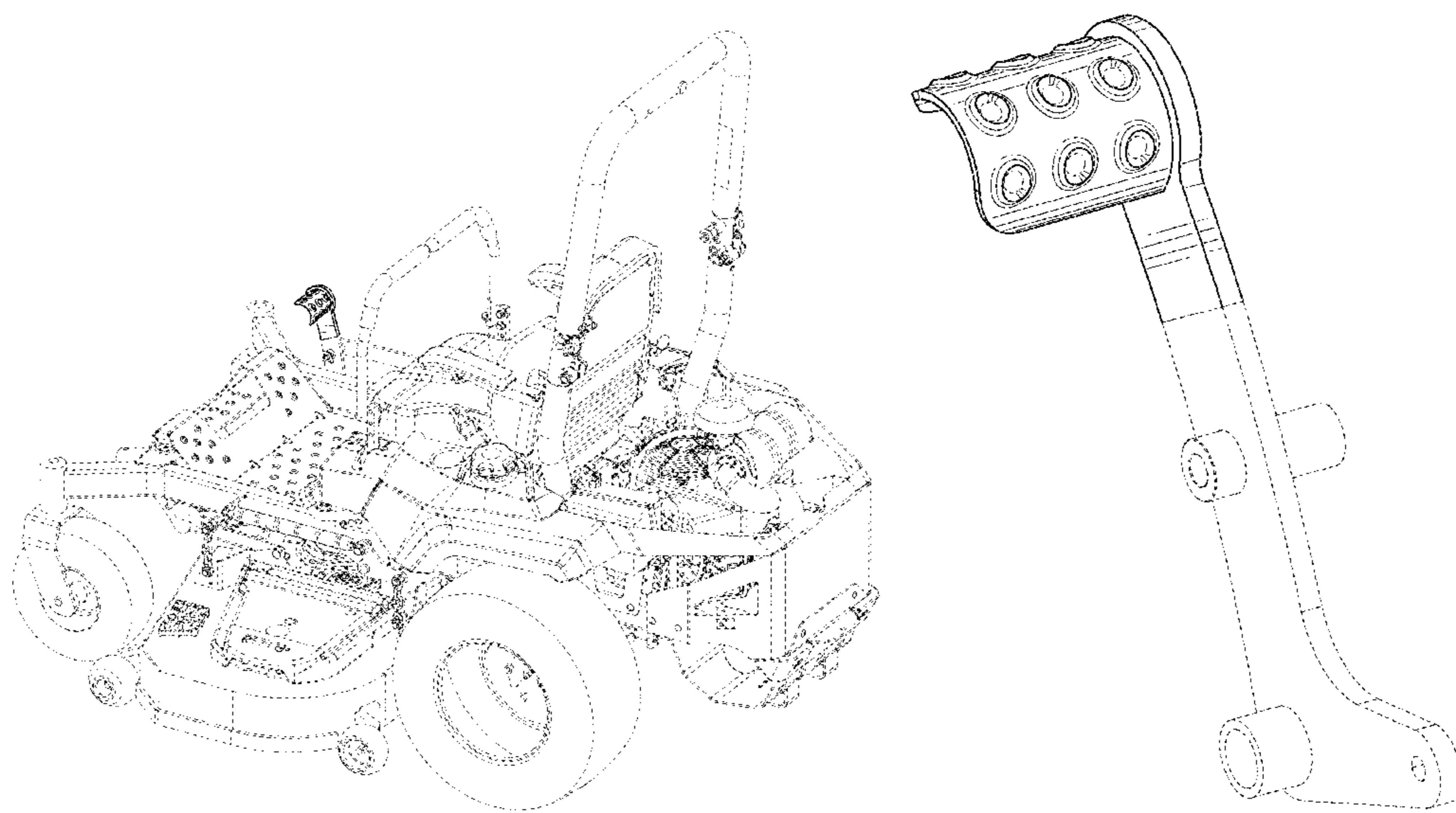
(57) **CLAIM**

The ornamental design for a foot pedal, as shown and described.

DESCRIPTION

FIG. 1 is a left rear perspective view of a foot pedal in accordance with the claimed design and shown attached to a riding lawn mower; FIG. 2 is a left rear perspective view of the design of FIG. 1; FIG. 3 is a left side elevation view of the design of FIG. 1; FIG. 4 is a front elevation view of the design of FIG. 1; FIG. 5 is a right side elevation view of the design of FIG. 1; FIG. 6 is a rear elevation view of the design of FIG. 1; FIG. 7 is a top plan view of the design of FIG. 1; and, FIG. 8 is a bottom plan view of the design of FIG. 1. The dot-dash broken lines in the figures immediately adjacent the solid lines represent a boundary between claimed and unclaimed subject matter and form no part of the claimed design. The dash-dash broken lines in the figures (including the riding lawn mower in FIG. 1, the portions adjacent the dot-dash broken lines, and other aspects) represent environment in which the claimed design may be embodied, and which form no part of the claimed design.

1 Claim, 8 Drawing Sheets



(56)

References Cited

U.S. PATENT DOCUMENTS

D431,217 S *	9/2000	Asakura	D12/174
D437,271 S *	2/2001	Saleen	D12/174
D443,570 S *	6/2001	Saleen	D12/174
D444,435 S *	7/2001	Saleen	D12/174
D444,436 S *	7/2001	Saleen	D12/174
D447,102 S *	8/2001	Saleen	D12/174
6,370,984 B1 *	4/2002	Chang	B60T 7/06 74/563
D479,167 S *	9/2003	Faust	D12/174
D486,433 S *	2/2004	Watanabe	D12/174
6,837,032 B1	1/2005	Swartzendruber et al.		
D518,425 S *	4/2006	Tatsumi	D12/174
7,448,191 B2	11/2008	Elhardt et al.		
7,614,207 B2	11/2009	Elhardt et al.		
8,083,020 B2	12/2011	Corriher		
8,579,058 B1	11/2013	Yamada et al.		
8,656,805 B2	2/2014	Palacio Arguelles et al.		
D701,808 S *	4/2014	Geberth	D12/174
8,702,062 B2 *	4/2014	Papke	B66F 3/005 254/133 R
2006/0185469 A1	8/2006	Schlabach		
2012/0031221 A1	2/2012	Campbell		
2014/0083068 A1	3/2014	Berglund		

OTHER PUBLICATIONS

gomiata.com: Mazda Miata OEM Alloy Brake Pedal w/Automatic Transmission 2016+. (c) 2018. 1 page. Found online Jun. 5, 2018 at <https://www.gomiata.com/bhn1-v9-093.html> (Year: 2018).*

Steeda Aluminum Mustang Pedal Covers—3 Piece/Curved Gas (79-04 Manual). Datasheet. [online]. Steeda Autosports, available at least as early as Feb. 2, 2016, [retrieved on Jan. 25, 2017]. Retrieved from the Internet: <URL:www.steeda.com/steeda-aluminum-mustang-pedal-covers-555-1152.html>, 5 pages.

Chevrolet Trailblazer Billet Pedal Sets. Datasheet. [online]. Performance Pedals, available at least as early as Feb. 2, 2016, [retrieved on Jan. 25, 2017]. Retrieved from the Internet: <URL:www.performancepedals.com/chevroletpedals/chevytrailblazerpedals.html>, 6 pages.

Fastrak. Datasheet. [online] Hustler Turf Equipment, available as early as May 5, 2014, [retrieved on Dec. 14, 2016]. Retrieved from the Internet: <URL:web.archive.org/web/20140505002222/http://www.hustlerturf.com/products/Fastrak> 2 pages.

IDS NPL Document 1, Scag Power Equipment, “Scag Freedom”, Mayville, WI, USA. Available at least as early as Apr. 4, 2016; 1 page.

* cited by examiner

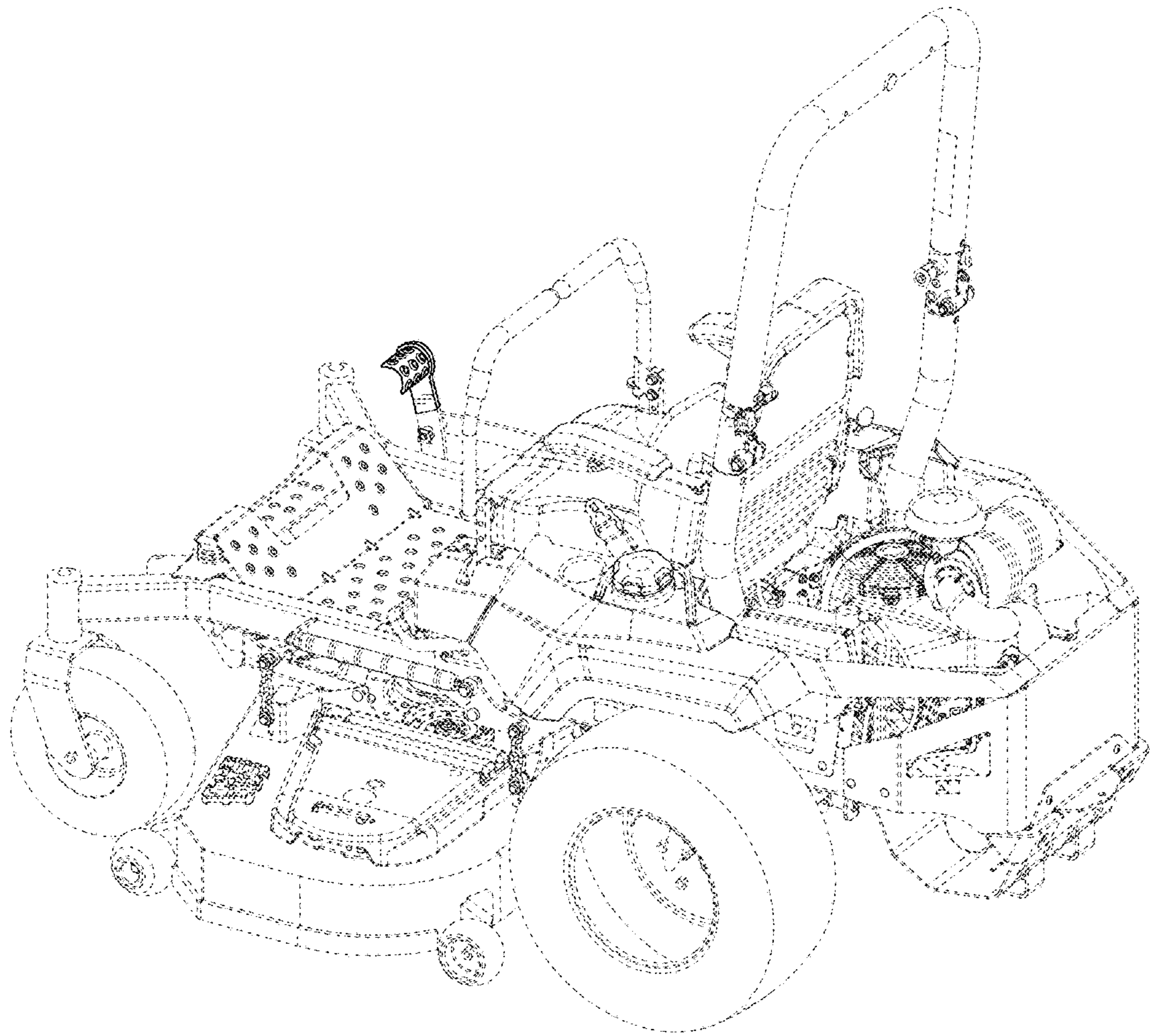


FIG. 1

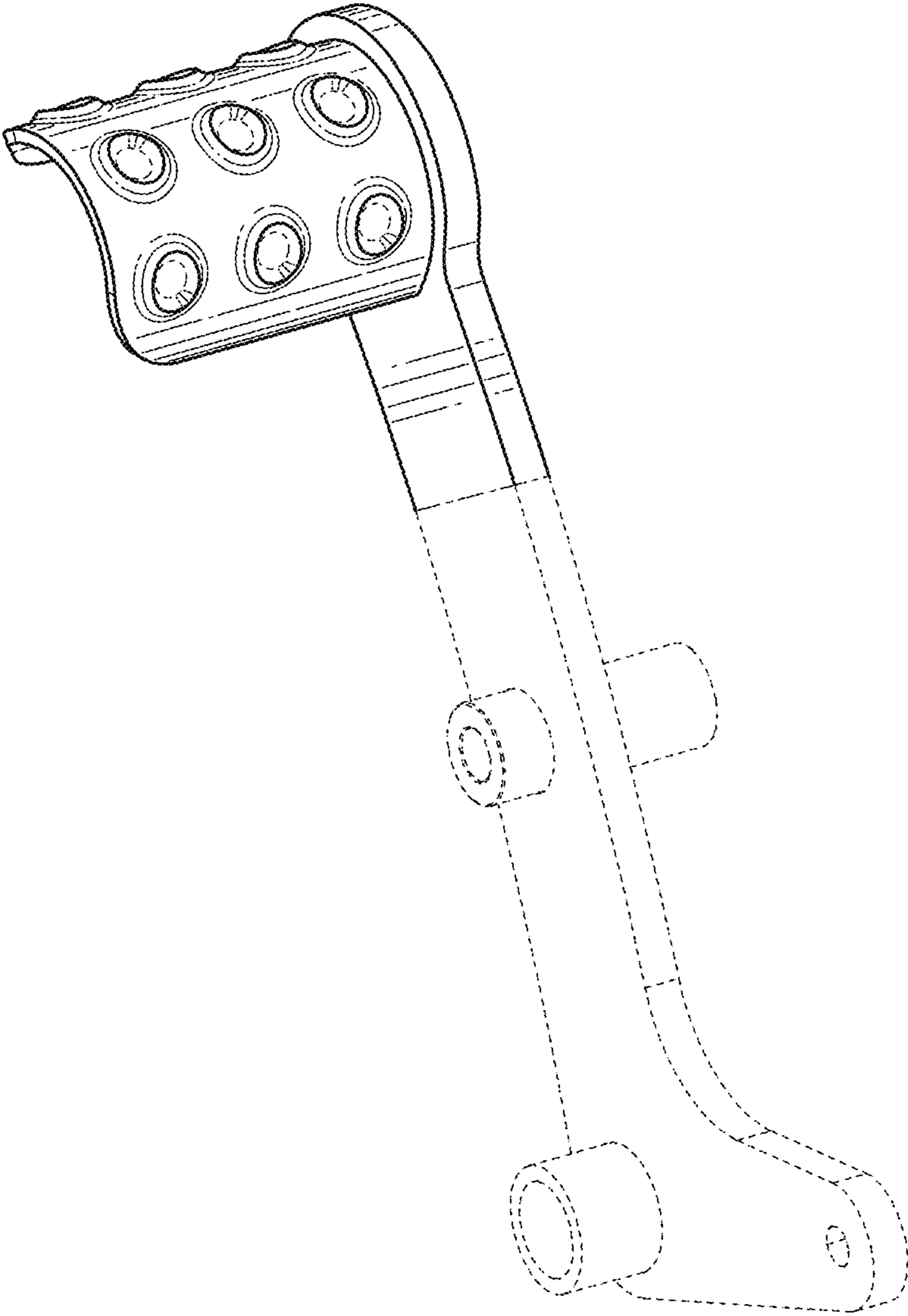


FIG. 2

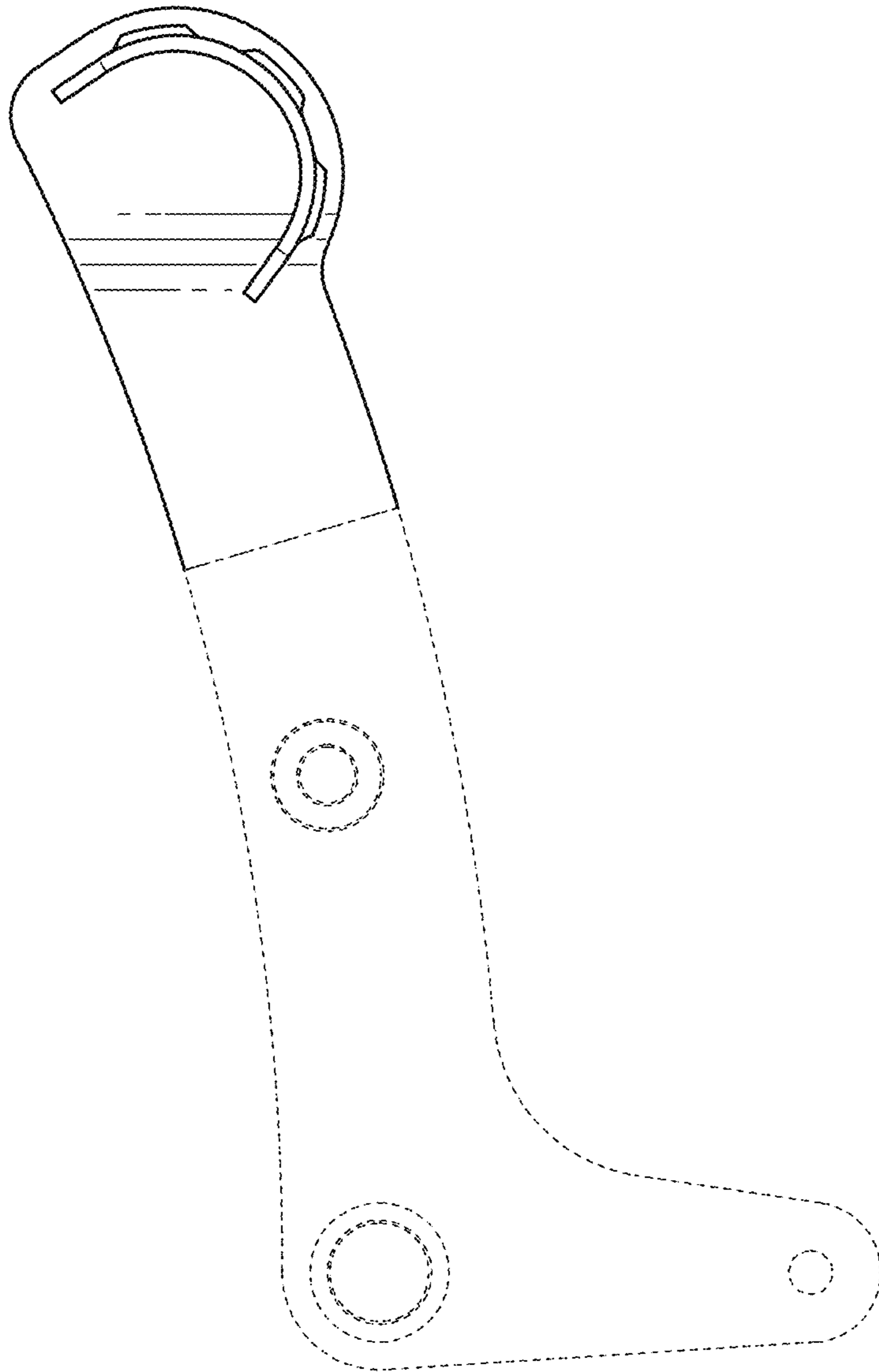


FIG. 3

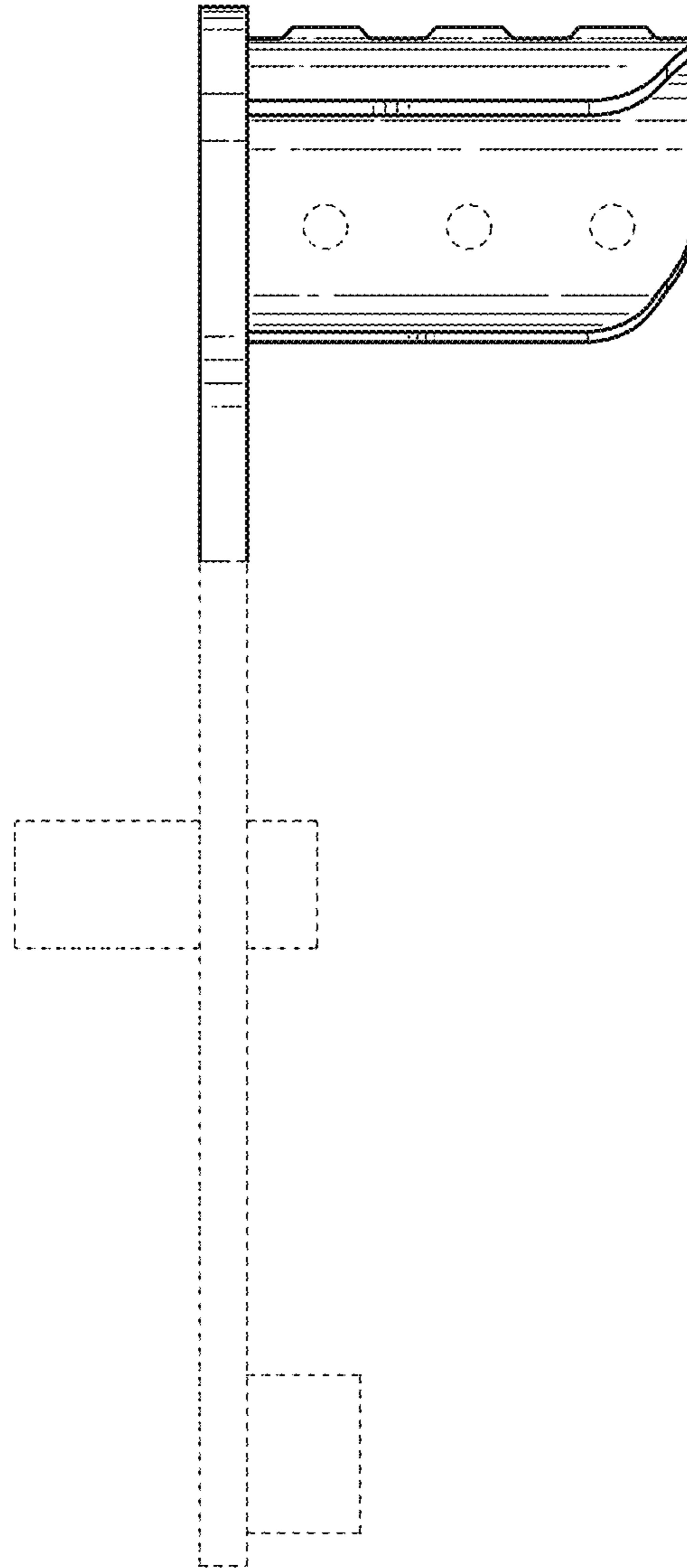


FIG. 4

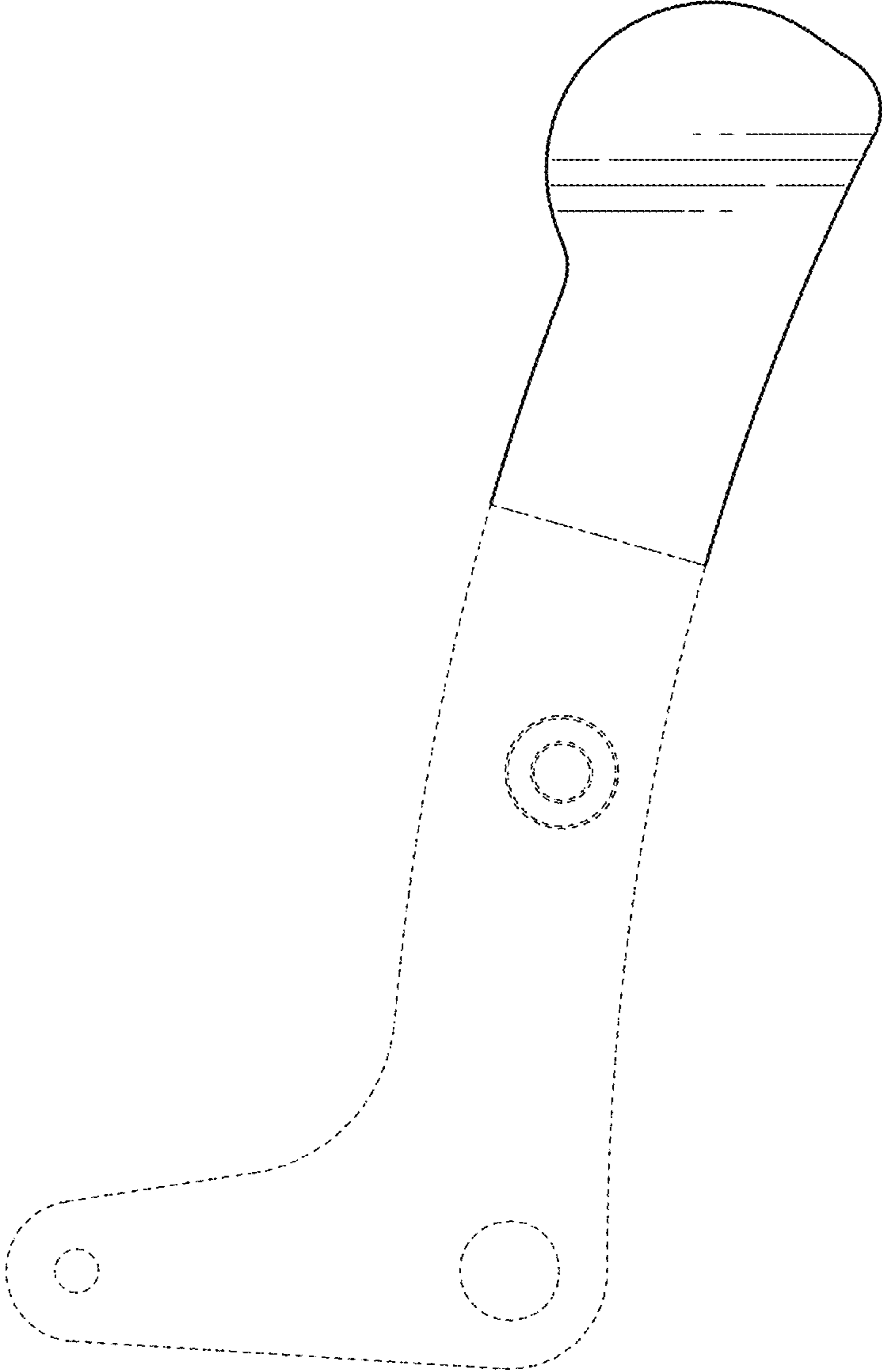


FIG. 5

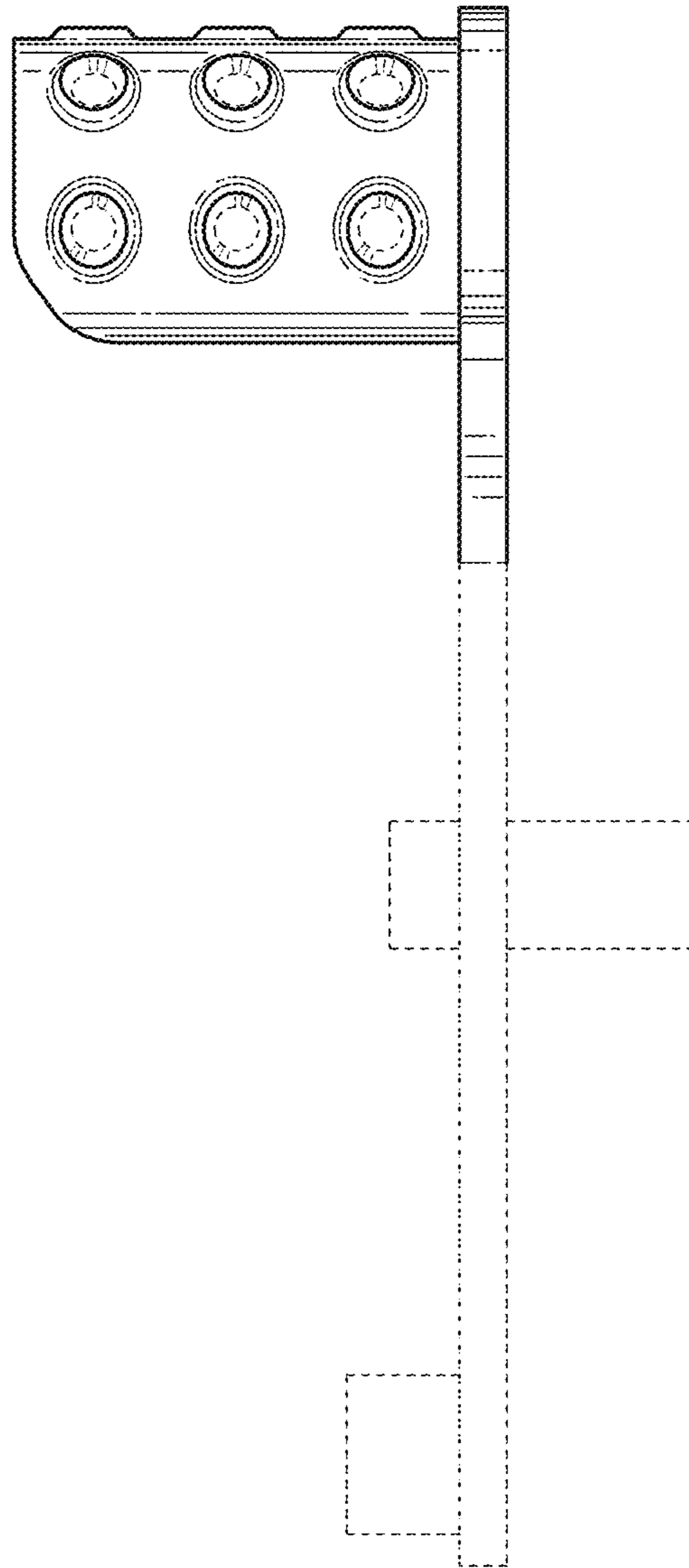


FIG. 6

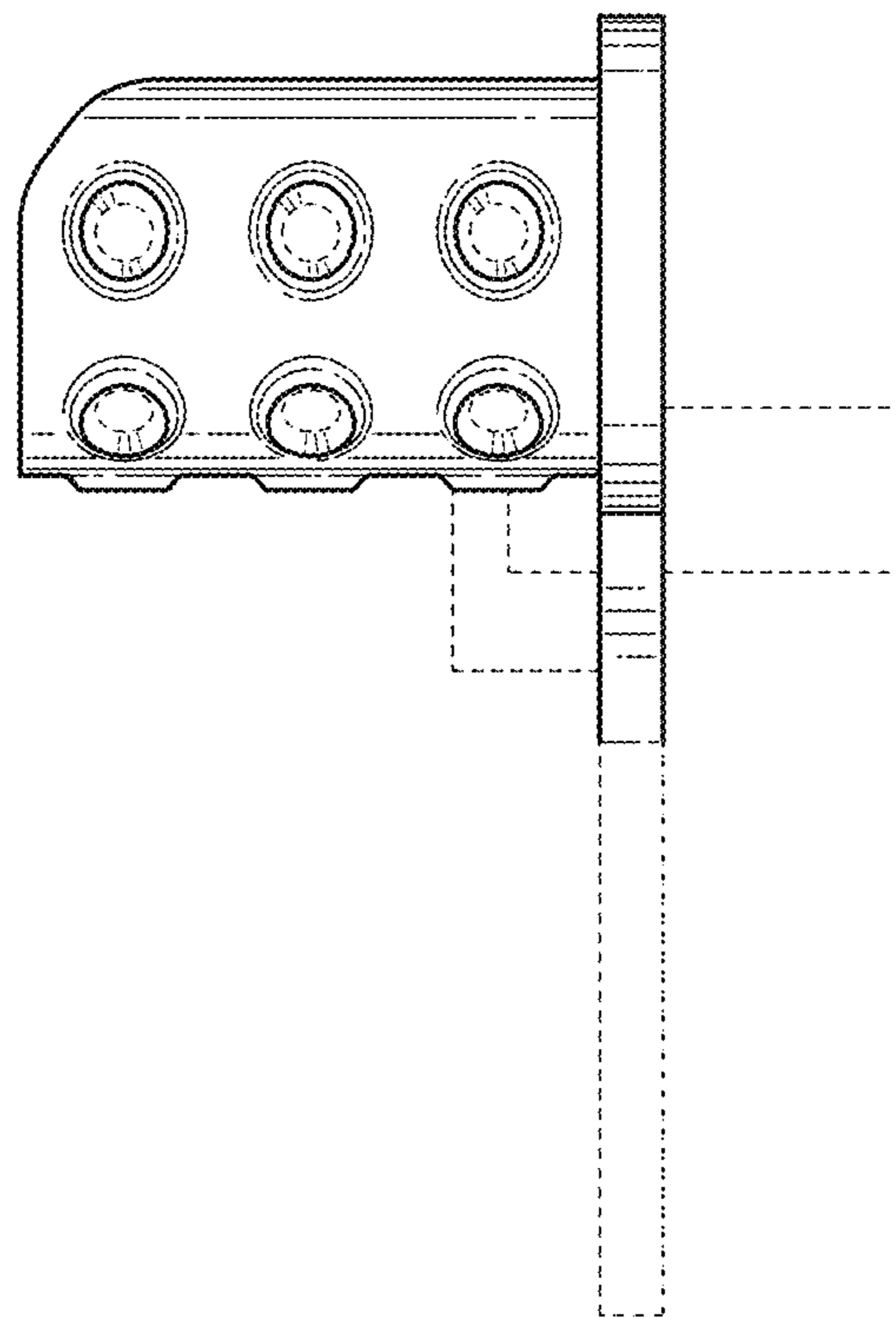


FIG. 7

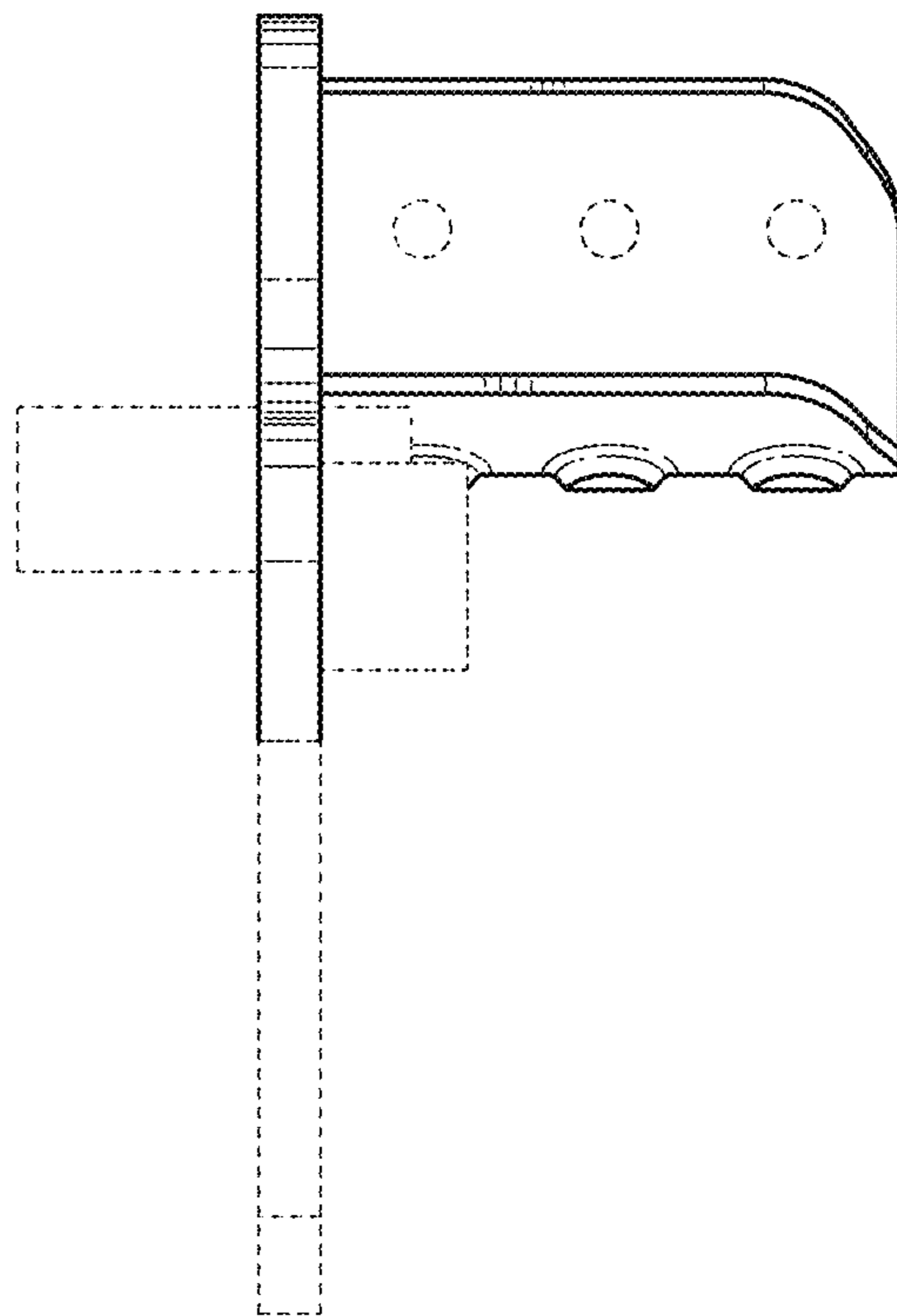


FIG. 8