

US00D832161S

(12) **United States Design Patent**
Kobayashi

(10) **Patent No.:** **US D832,161 S**

(45) **Date of Patent:** **** Oct. 30, 2018**

(54) **REAR BUMPER FOR A UTILITY VEHICLE**

(71) Applicant: **Kawasaki Jukogyo Kabushiki Kaisha**,
Kobe-shi, Hyogo (JP)

(72) Inventor: **Minoru Kobayashi**, Kakogawa (JP)

(73) Assignee: **KAWASAKI JUKOGYO**
KABUSHIKI KAISHA (JP)

(**) Term: **15 Years**

(21) Appl. No.: **29/605,897**

(22) Filed: **May 31, 2017**

(51) **LOC (11) Cl.** **12-16**

(52) **U.S. Cl.**
USPC **D12/171; D12/169**

(58) **Field of Classification Search**
USPC D12/86-92, 163-172
CPC B60R 19/18; B60R 19/24; B60R 19/44;
B60R 19/48; B60R 19/56; B60R
2019/527; B60R 2019/1886; B62D
25/0845
See application file for complete search history.

(56) **References Cited**

U.S. PATENT DOCUMENTS

D300,128 S *	3/1989	Brennan	D12/169
D360,865 S *	8/1995	Hanson	D12/169
D454,098 S *	3/2002	McGuinness	D12/171
D455,988 S *	4/2002	McGuinness	D12/171
D590,752 S *	4/2009	Williams	D12/169
7,703,834 B1 *	4/2010	Hardy	B60R 9/06 296/102
D713,305 S *	9/2014	Sperling	D12/169
D737,181 S *	8/2015	Smith	D12/169
D751,012 S *	3/2016	Hare	D12/169
D760,133 S *	6/2016	Bennett	D12/171

D763,745 S *	8/2016	Lee, IV	D12/169
D771,537 S *	11/2016	Hare	D12/169
D775,016 S *	12/2016	Reynolds	D12/171
D776,582 S *	1/2017	Bennett	D12/169
D777,619 S *	1/2017	Barajas	D12/167
D778,213 S *	2/2017	Platto	D12/169
D781,757 S *	3/2017	Baggett	D12/16
D786,745 S *	5/2017	Zeng	D12/167
2009/0302623 A1 *	12/2009	Finney	B60R 19/52 293/115

* cited by examiner

Primary Examiner — Darlington Ly

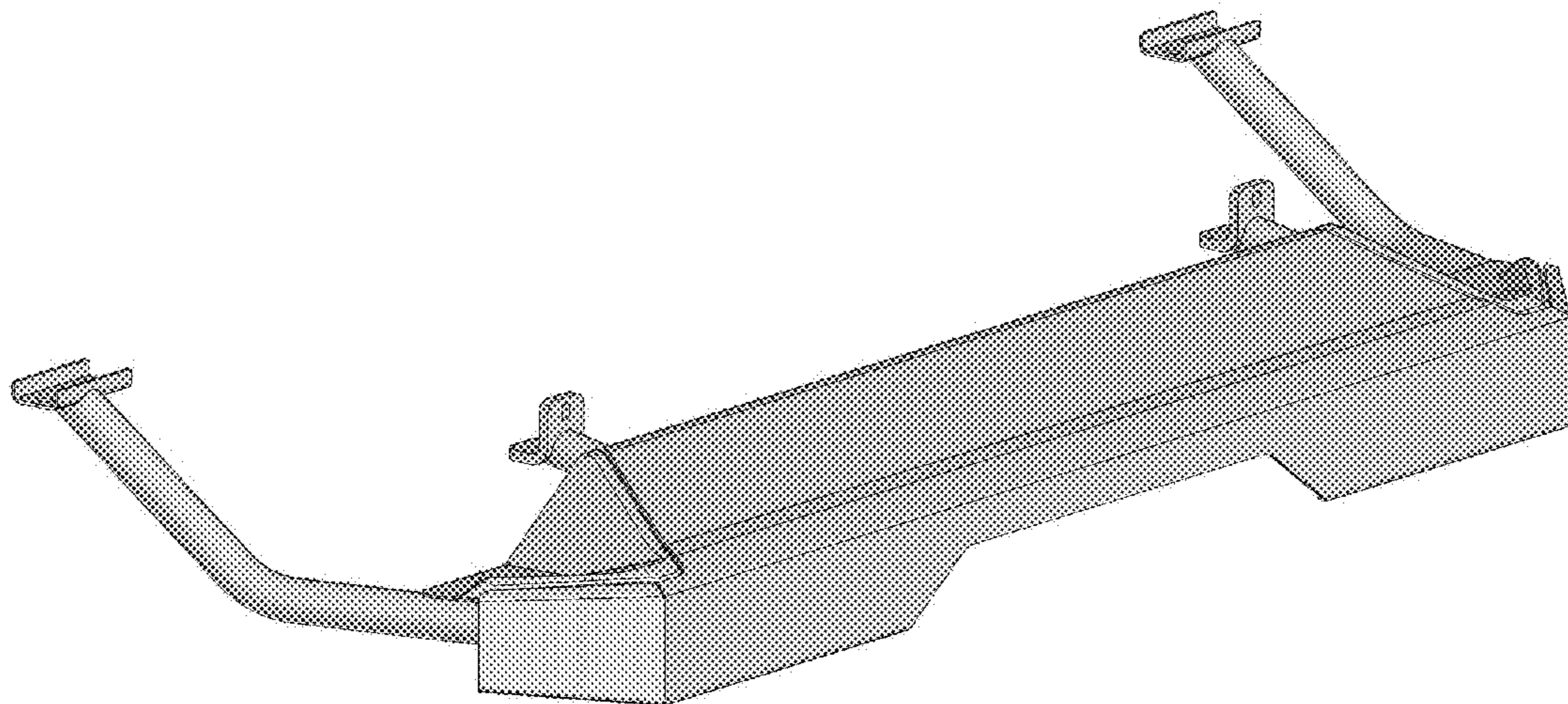
(57) **CLAIM**

The ornamental design for a rear bumper for a utility, as shown and described.

DESCRIPTION

FIG. 1 is a front elevational view of a rear bumper for a utility vehicle showing my new design;
 FIG. 2 is a rear elevational view thereof;
 FIG. 3 is a left side elevational view thereof, the right side view being a mirror image of that shown;
 FIG. 4 is a top plan view thereof;
 FIG. 5 is a bottom plan view thereof;
 FIG. 6 is a top, front, and left side isometric view thereof;
 FIG. 7 is a bottom, front, and left side isometric view thereof;
 FIG. 8 is a top, rear, and right side isometric view thereof;
 FIG. 9 is a bottom, rear, and right side isometric view thereof; and,
 FIG. 10 is a bottom, rear, and left side isometric view of a utility vehicle in which the rear bumper is attached.
 In FIG. 10, the utility vehicle shaded in a lightened gray tone is provided for the purpose of illustrating environmental structure and forms no part of the claimed design.

1 Claim, 10 Drawing Sheets



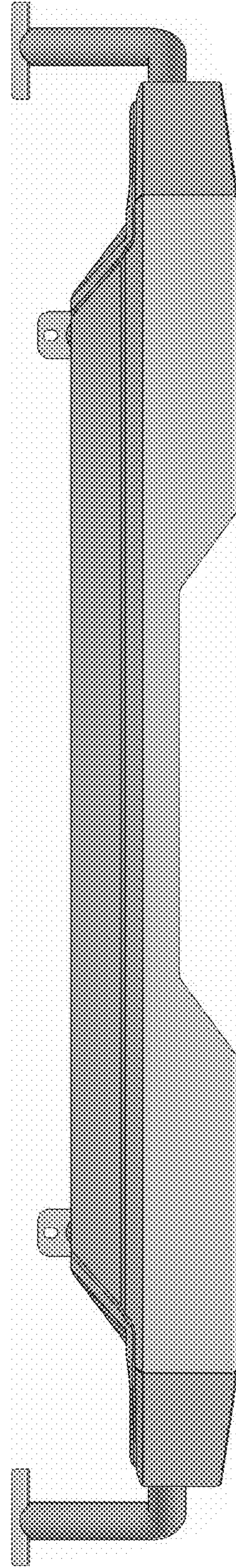


Fig. 1

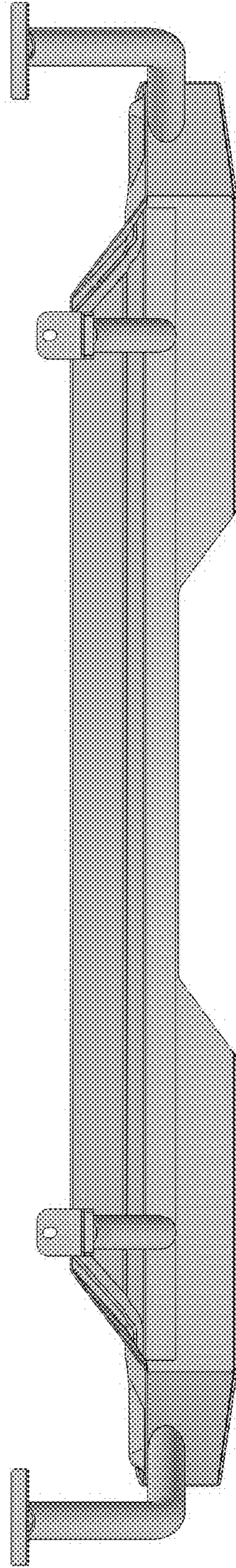


Fig. 2

Fig. 3

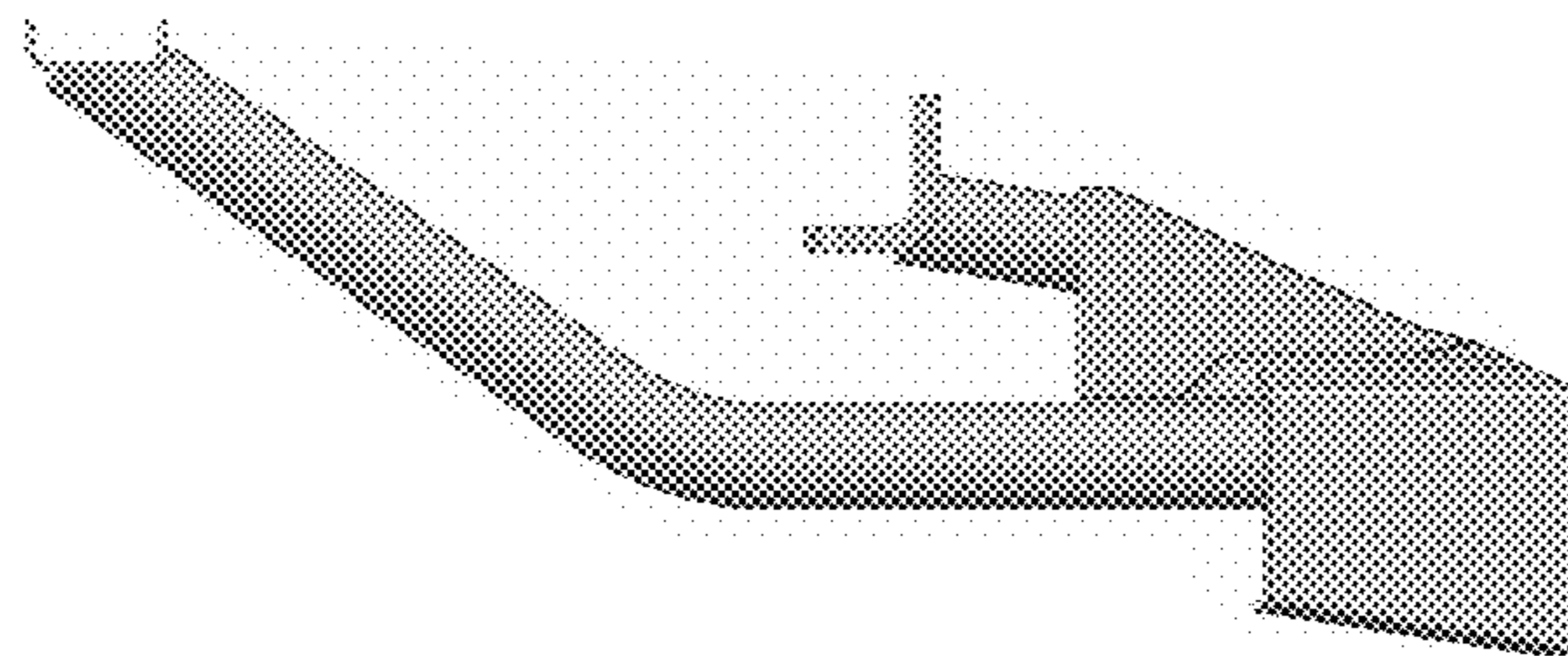


Fig. 4

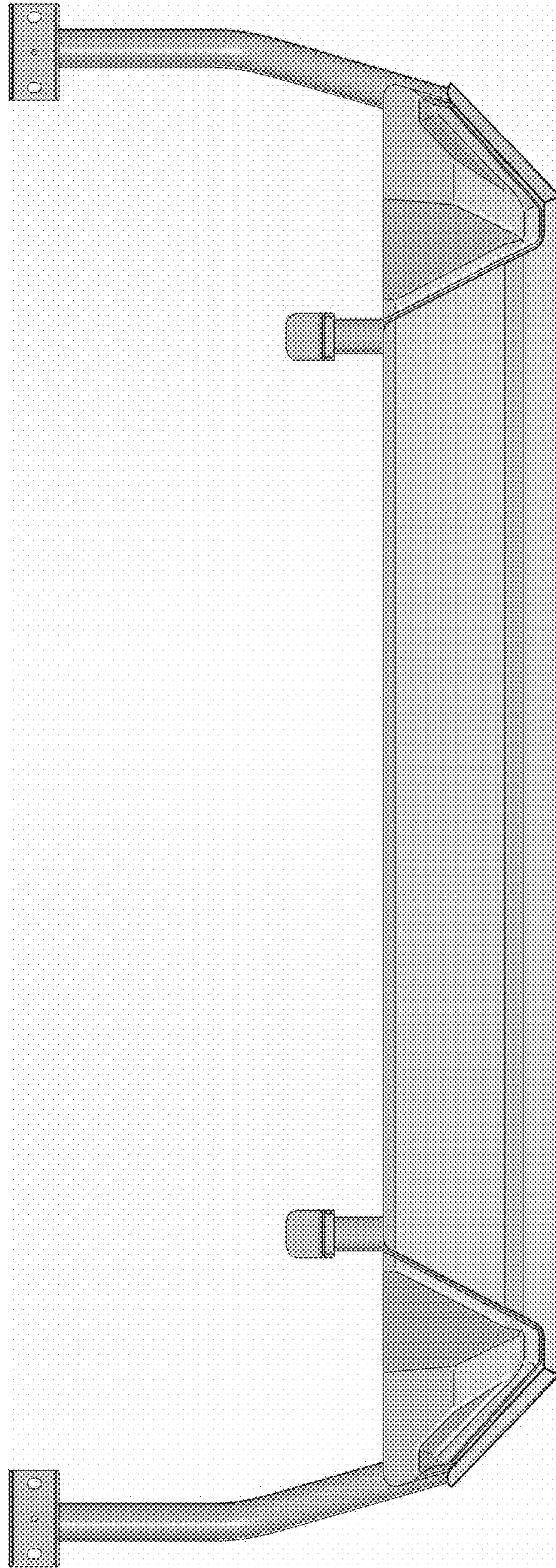


Fig. 5

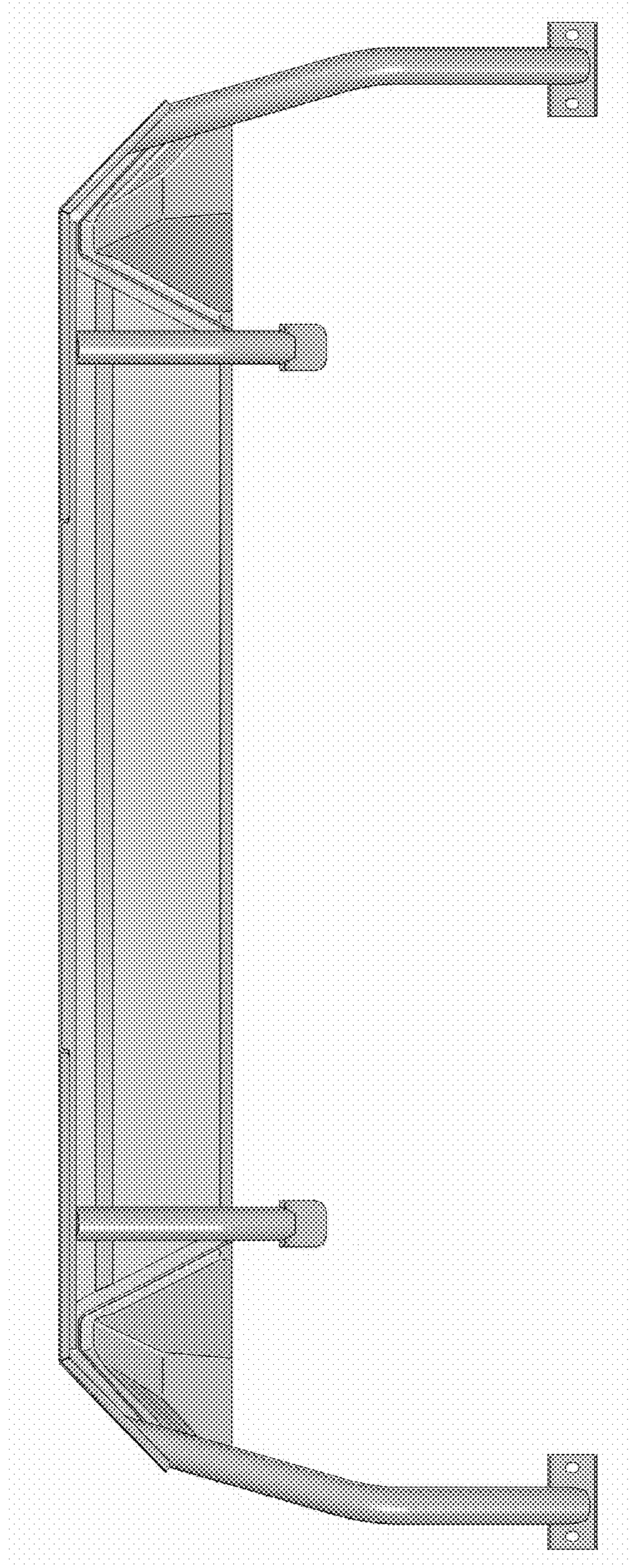


Fig. 6

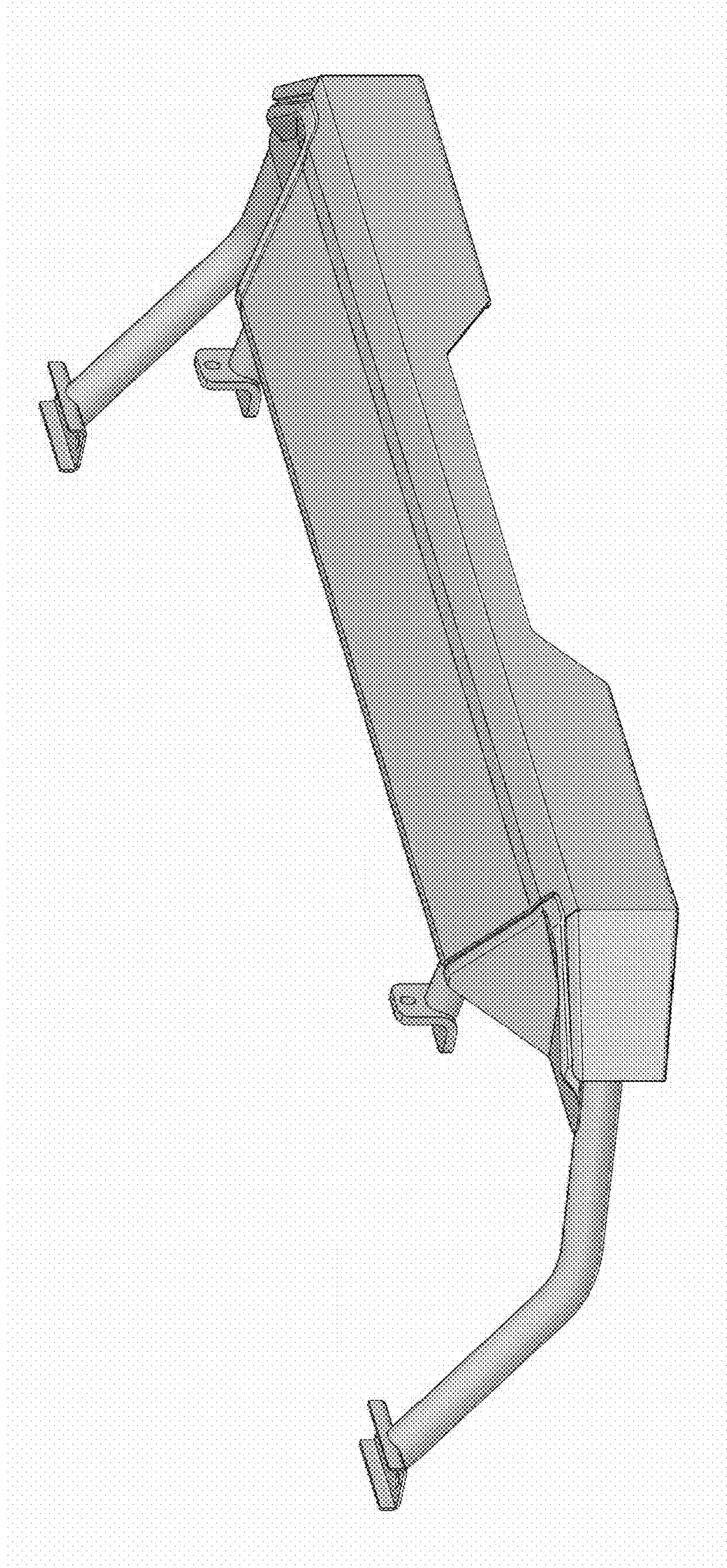


Fig. 7

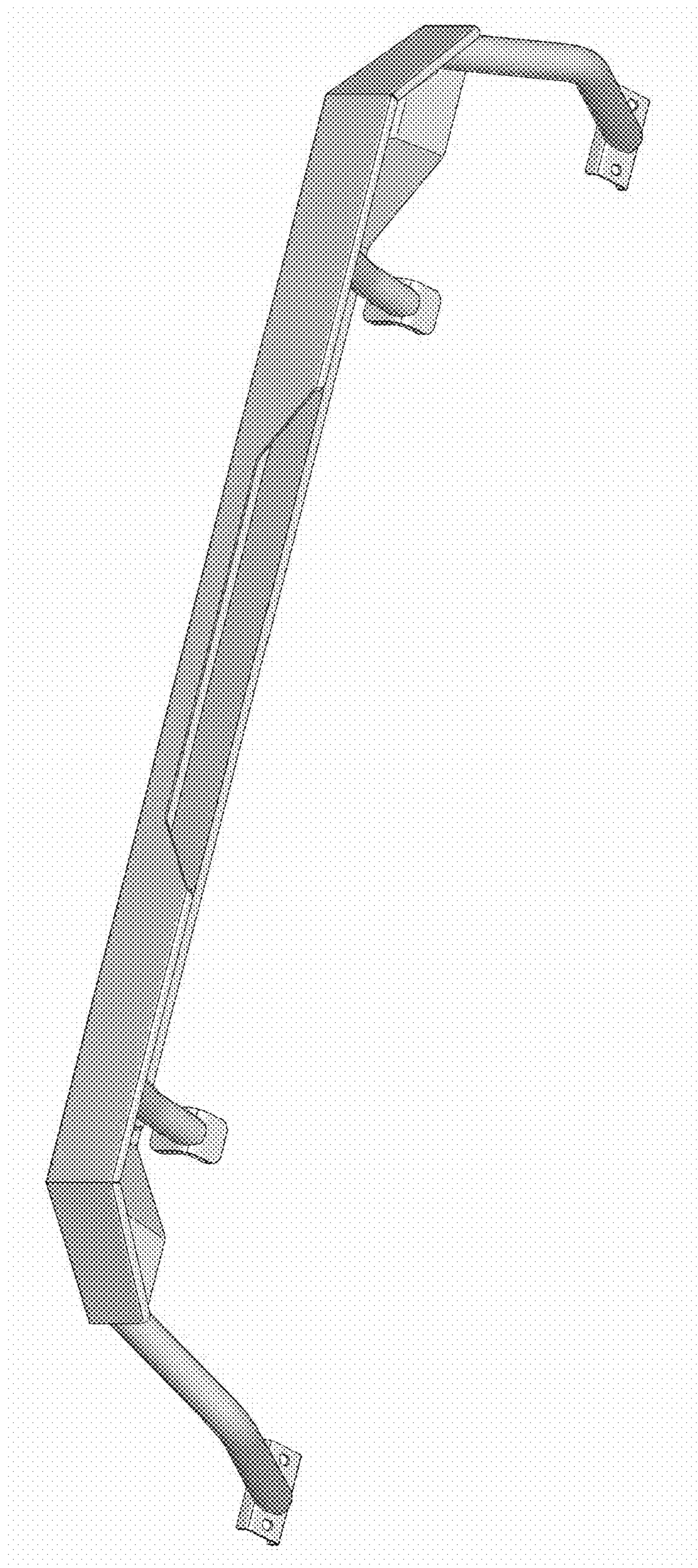


Fig. 8

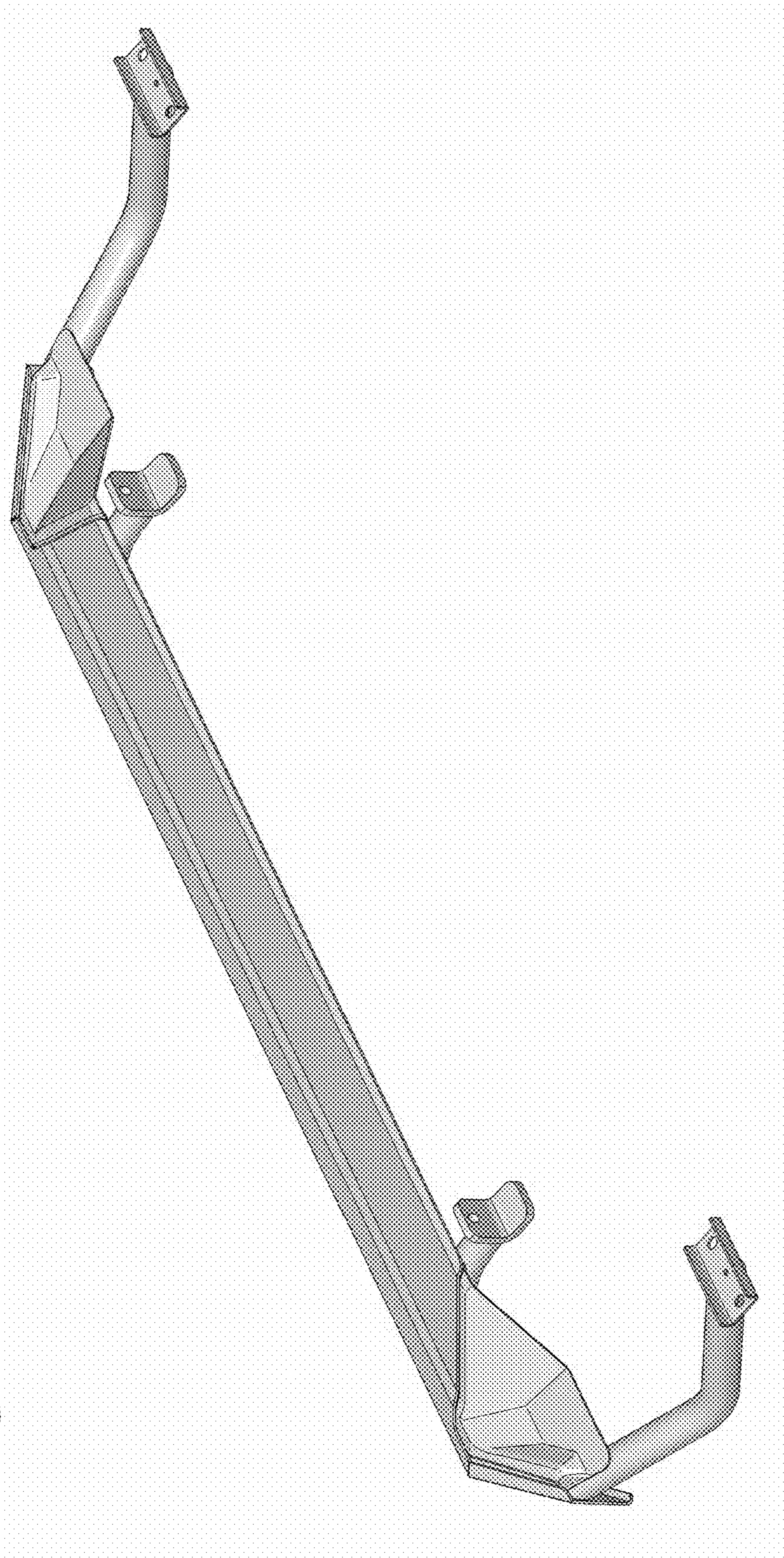


Fig. 9

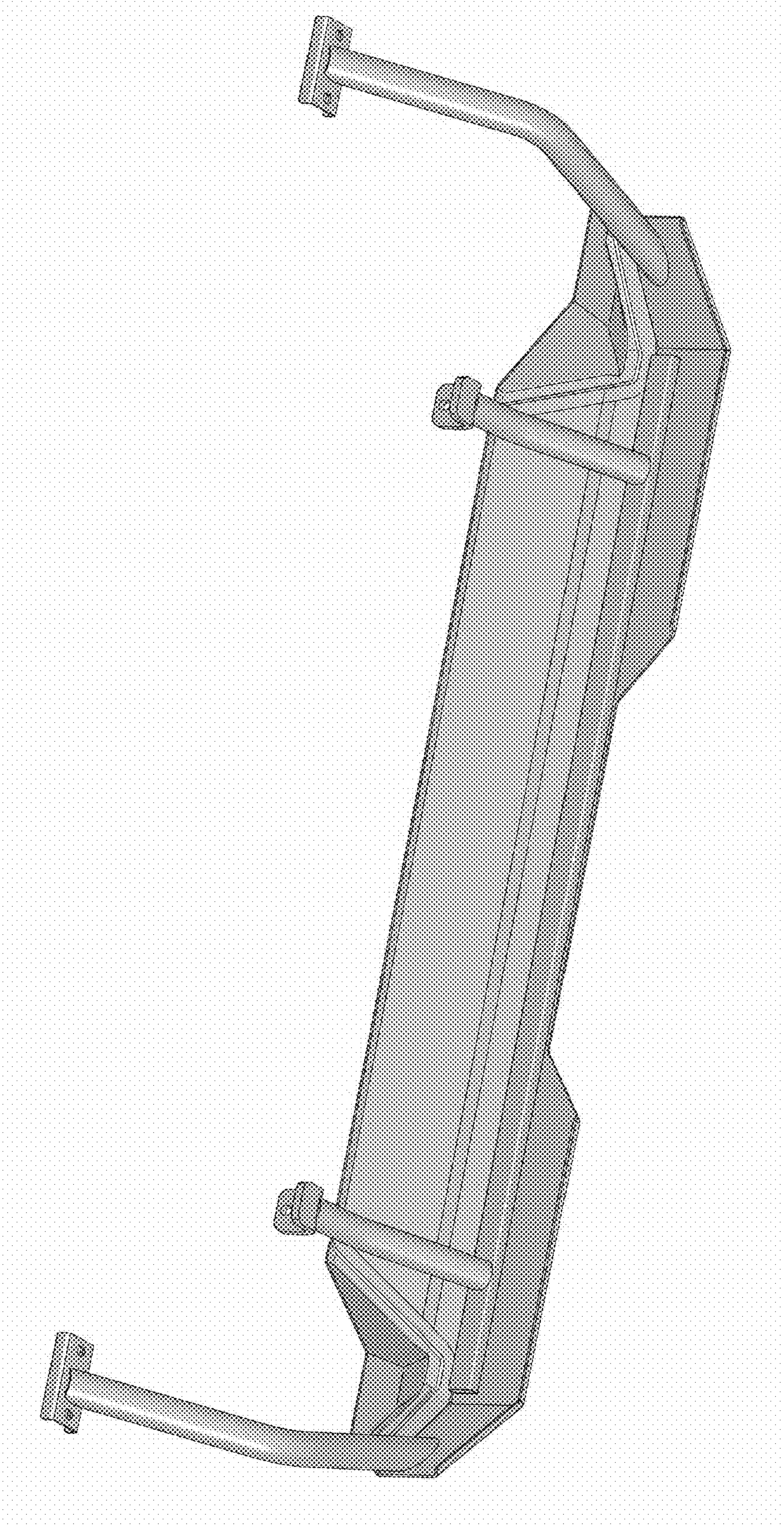


Fig. 10

