



US00D832159S

(12) **United States Design Patent** (10) **Patent No.:** **US D832,159 S**
Yeo (45) **Date of Patent:** **** Oct. 30, 2018**

(54) **FRONT BUMPER OF CAR**
(71) Applicant: **GM GLOBAL TECHNOLOGY OPERATIONS LLC**, Detroit, MI (US)
(72) Inventor: **Dongjin Yeo**, Seoul (KR)
(73) Assignee: **GM GLOBAL TECHNOLOGY OPERATIONS LLC**, Detroit, MI (US)

D763,746 S * 8/2016 Tsutamori D12/169
D764,984 S * 8/2016 Stopka D12/169
D813,117 S * 3/2018 Sullivan D12/169
D821,942 S * 7/2018 Oh D12/169

* cited by examiner

Primary Examiner — Melody N Brown
(74) *Attorney, Agent, or Firm* — Browdy and Neimark, PLLC

(**) Term: **15 Years**
(21) Appl. No.: **29/600,428**
(22) Filed: **Apr. 12, 2017**

(30) **Foreign Application Priority Data**

Oct. 12, 2016 (KR) 30-2016-0048940

(51) **LOC (11) Cl.** **12-16**
(52) **U.S. Cl.**
USPC **D12/169**

(58) **Field of Classification Search**
CPC B60R 19/02; B60R 19/04; B62D 25/08
See application file for complete search history.

(56) **References Cited**

U.S. PATENT DOCUMENTS

D762,532 S * 8/2016 Tsutamori D12/169
D762,533 S * 8/2016 Tsutamori D12/169

(57) **CLAIM**

The ornamental design for a front bumper of car, as shown and described.

DESCRIPTION

FIG. 1 is a top, front, right side perspective view of a front bumper of a car showing our new design; FIG. 2 is a front elevation view thereof; FIG. 3 is a rear elevation view thereof; FIG. 4 is a left side view thereof; FIG. 5 is a right side view thereof; FIG. 6 is a top plan view thereof; and, FIG. 7 is a bottom plan view thereof.

1 Claim, 7 Drawing Sheets

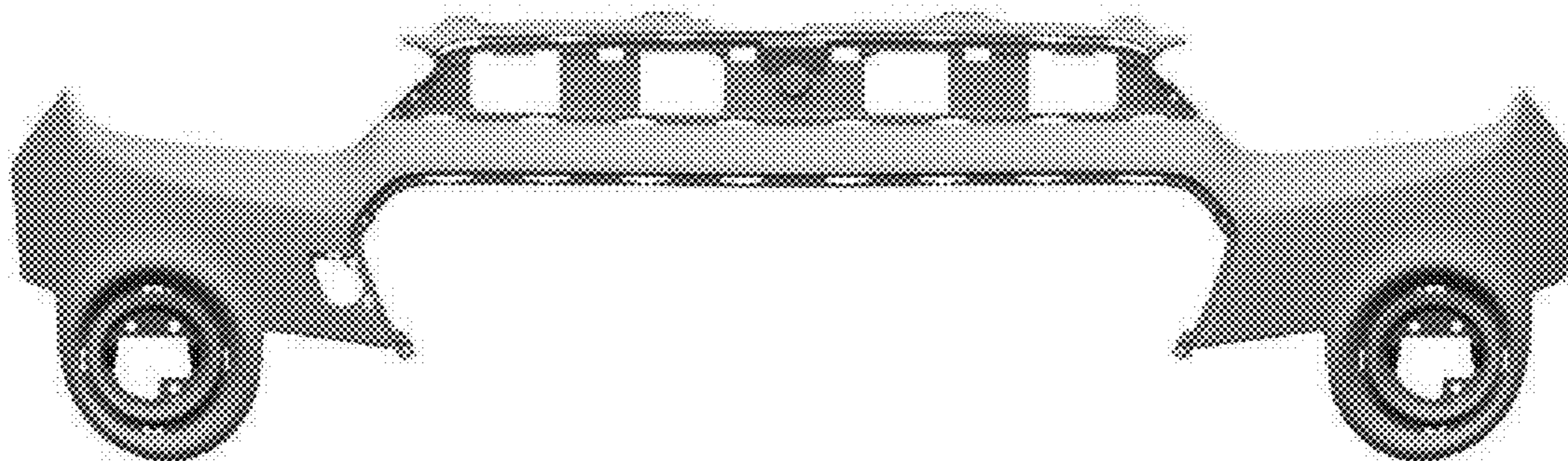


Fig. 1

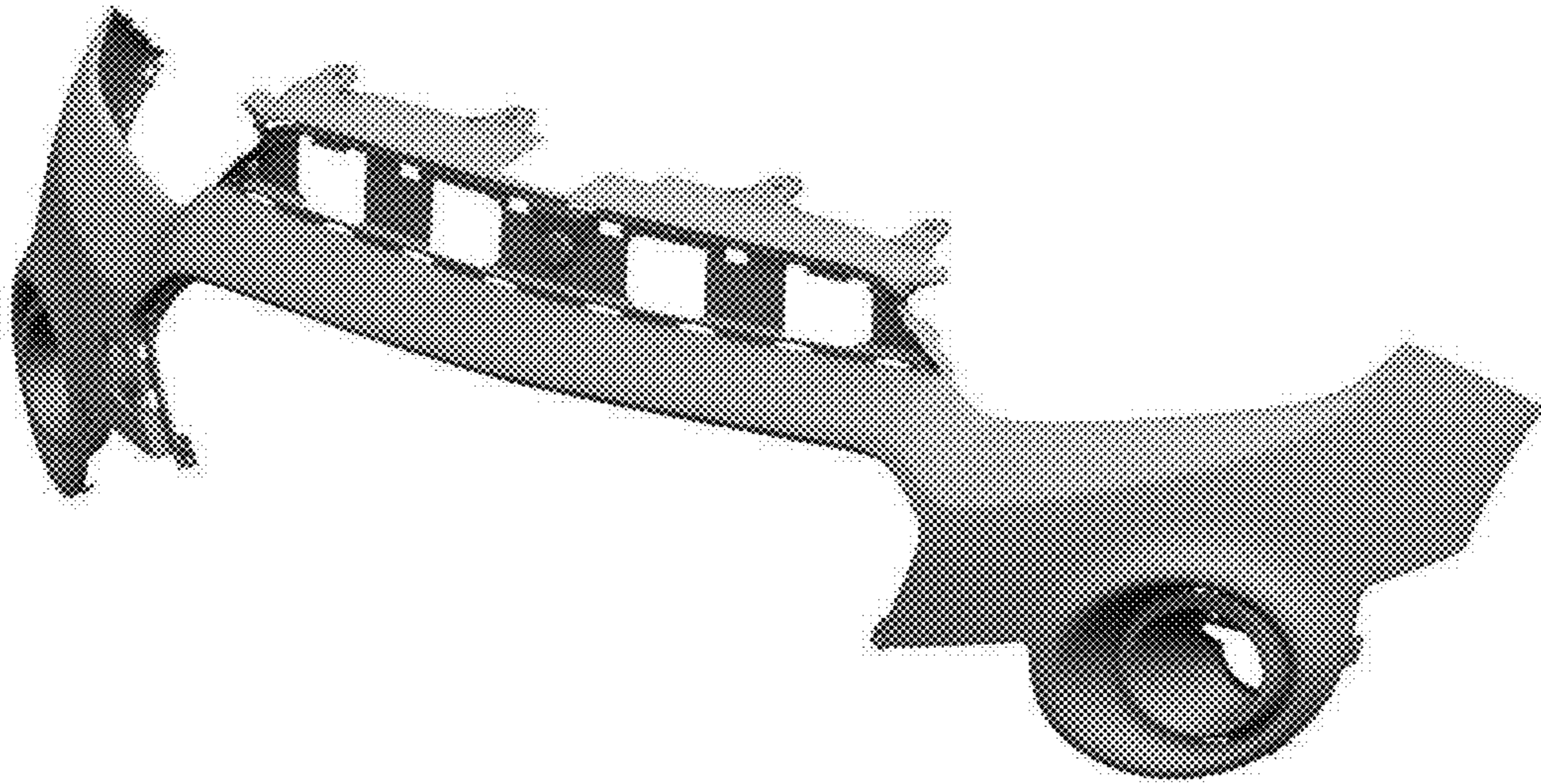


Fig. 2

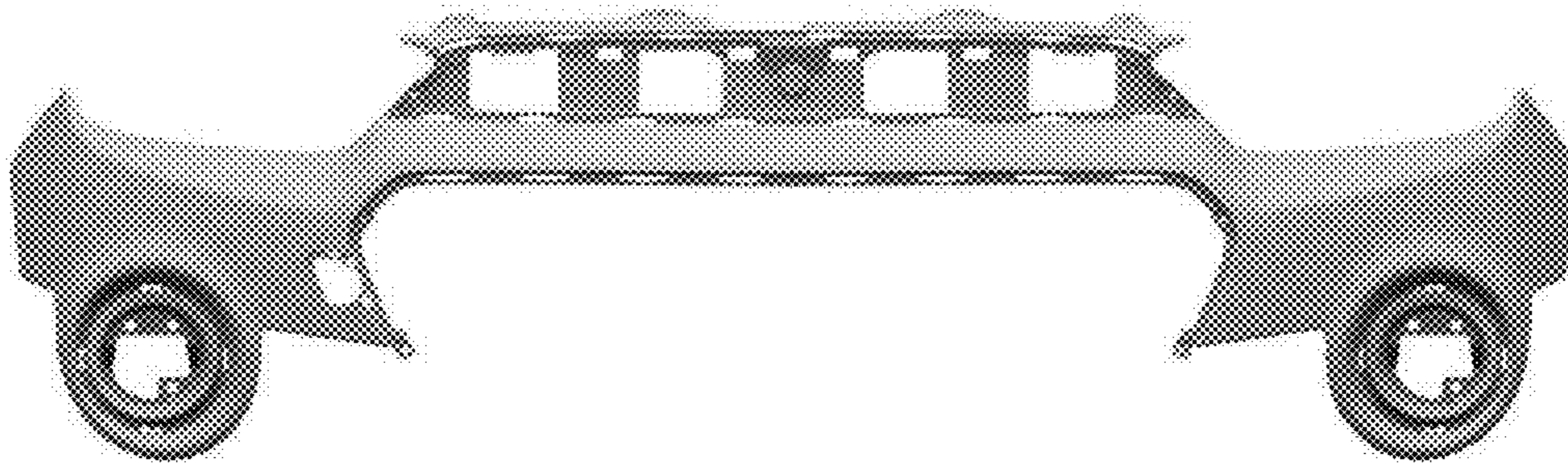


Fig. 3

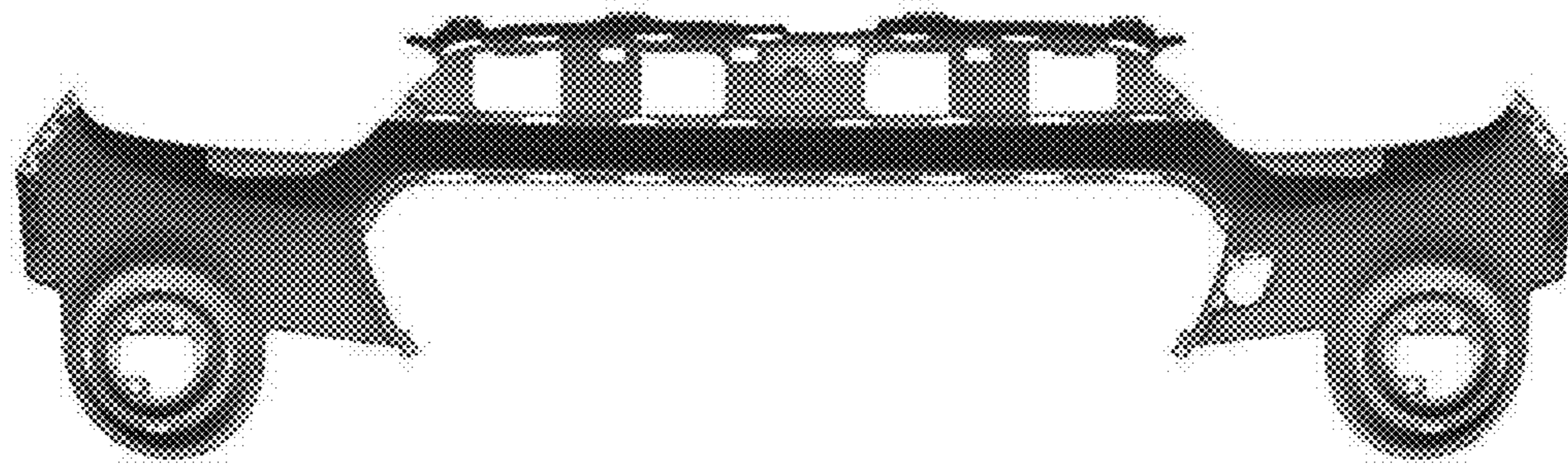


Fig. 4

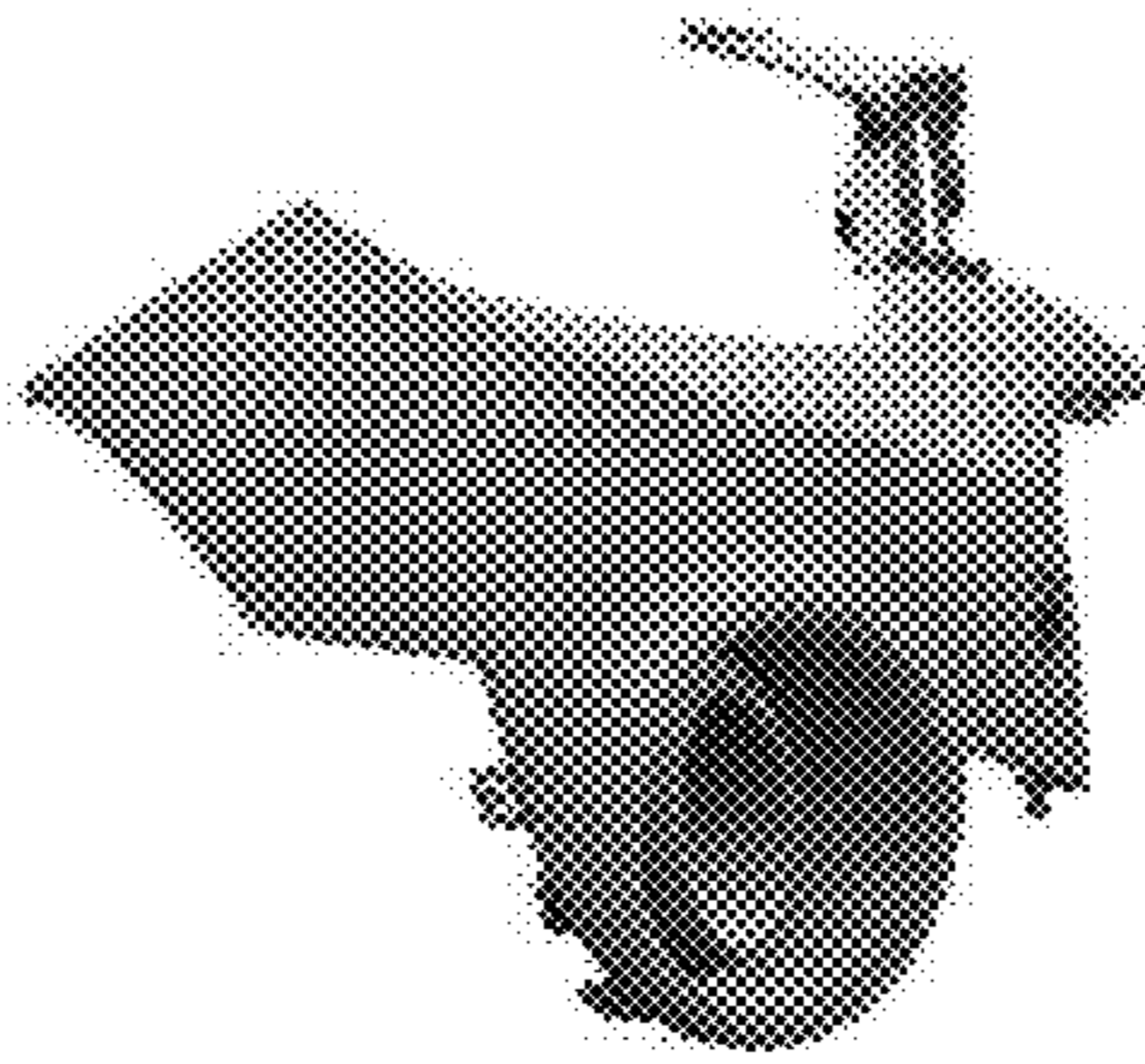


Fig. 5

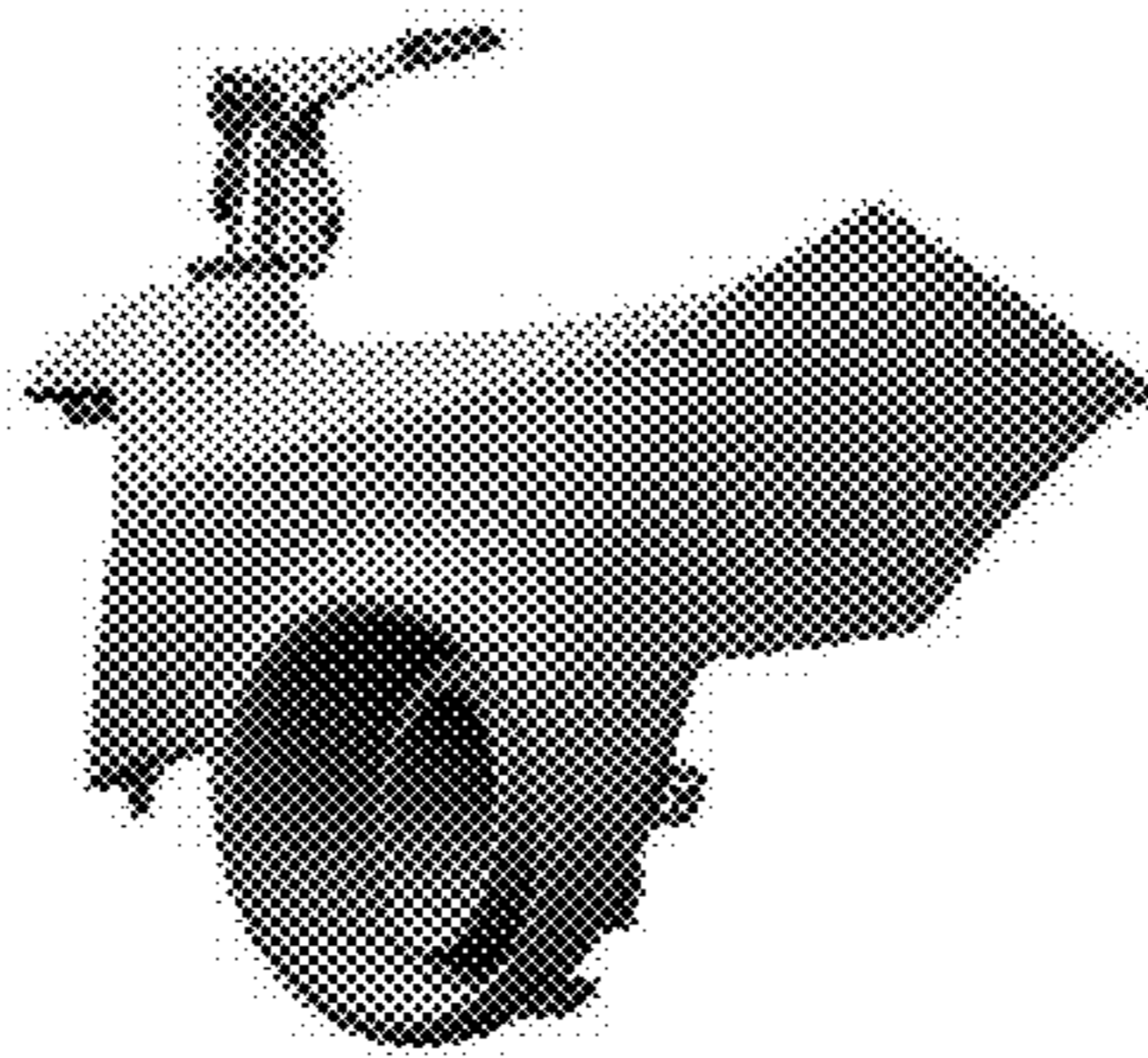


Fig. 6

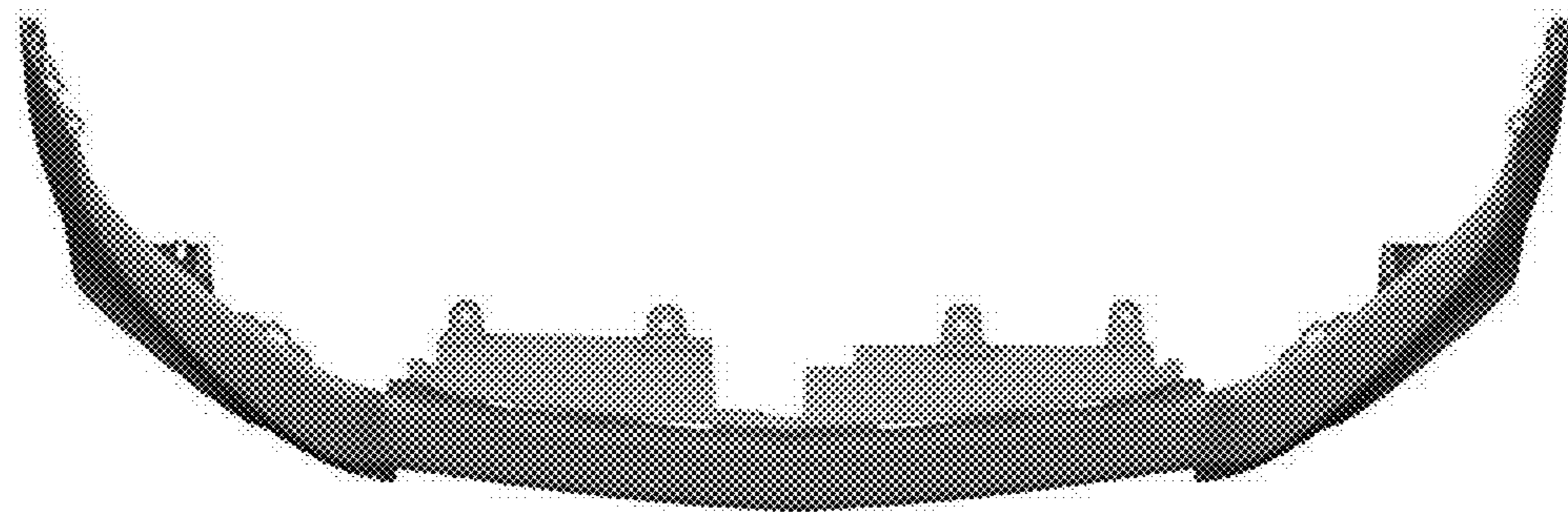


Fig. 7

